

HONDA CB TWISTER

OWNER'S MANUAL

© Honda Motor Co., Ltd. 2010

IMPORTANT INFORMATION

- **RIDER AND PASSENGER**

This vehicle is designed to carry the rider and one passenger.

- **ON-ROAD USE**

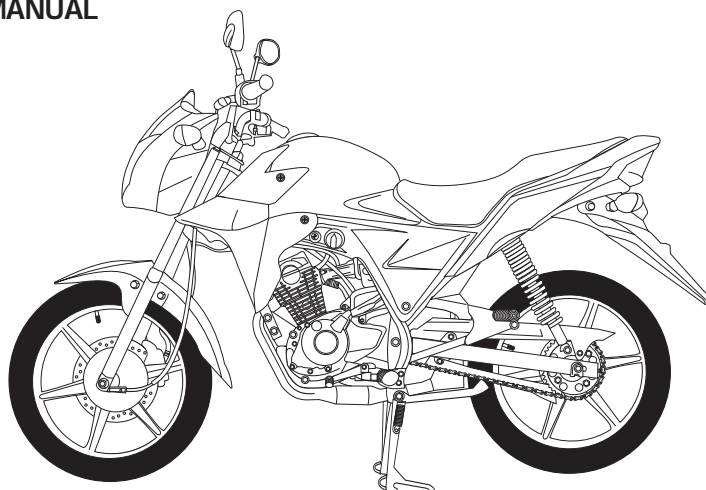
This vehicle is designed to be used only on the road.

- **READ THIS OWNER'S MANUAL CAREFULLY**

Pay special attention to the safety messages that appear throughout the manual. These messages are fully explained in the "**A Few Words About Safety**" section which appears before the Contents page.

This manual should be considered a permanent part of the vehicle and should remain with the vehicle when resold.

**HONDA CB TWISTER
OWNER'S MANUAL**



All information in this publication is based on the latest production information available at the time of approval for printing. Honda Motor Co., Ltd. reserves the right to make changes at any time without notice and without incurring any obligation.

No part of this publication may be reproduced without written permission.

WELCOME

The vehicle presents you a challenge to master the machine, a challenge to adventure. You ride through the wind, linked to the road by a vehicle that responds to your commands as no other does. Unlike an automobile, there is no metal cage around you. Like an aeroplane, a pre-ride inspection and regular maintenance are essential to your safety. Your reward is freedom.

To meet the challenges safely, and to enjoy the adventure fully, you should become thoroughly familiar with this owner's manual BEFORE YOU RIDE THE VEHICLE .

As you read this manual, you will find information that is preceded by a **NOTICE** symbol. This information is intended to help you avoid damage to your vehicle, other property, or the environment.

When service is required, remember that your Honda dealer knows your vehicle. If you have the required mechanical "know-how" and tools, your dealer can supply you an official Honda shop manual on paid basis to help you perform many maintenance and repair tasks.

Accessories shown in the illustration are not part of the standard equipment.

For any query or assistance, please call Customer Care No.:

Toll Free No.: 1800 11 3434* (Toll free number for BSNL & MTNL users only)
0124-2291000

Pleasant riding, and thank you for choosing a Honda!

•The specifications may vary with each locale.


A FEW WORDS ABOUT SAFETY

Your safety, and the safety of others, is very important. And operating this vehicle safely is an important responsibility.

To help you make informed decisions about safety, we have provided operating procedures and other information on labels in this manual. This information alerts you to potential hazards that could hurt you or others.

Of course, it is not practical or possible to warn you about all hazards associated with operating or maintaining a vehicle. You must use your own good judgment.

You will find important safety information in a variety of forms, including:

- **Safety Labels** – on the vehicle.
- **Safety Messages** – preceded by a safety alert symbol  and one of three signal words: **DANGER, WARNING, or CAUTION**

These signal words mean:

⚠ DANGER

You **WILL** be **KILLED** or **SERIOUSLY HURT** if you don't follow instructions.

⚠ WARNING

You **CAN** be **KILLED** or **SERIOUSLY HURT** if you don't follow instructions.

⚠ CAUTION

You **CAN** be **HURT** if you don't follow instructions.

- **Safety Headings** – such as Important Safety Reminders or Important Safety Precautions.
- **Safety Section** – such as vehicle Safety.
- **Instructions** – how to use this vehicle correctly and safely.

This entire manual is filled with important safety information—please read it carefully.

CONTENTS

page

1	VEHICLE SAFETY
1	Important Safety Information
2	Protective Apparel
3	Load Limits and Guidelines
7	PARTS LOCATION
10	Instruments and Indicators
12	MAJOR COMPONENTS (Information you need to operate this vehicle)
12	Brakes
17	Fuel
19	Engine Oil
21	Tyres
24	ESSENTIAL INDIVIDUAL COMPONENTS
24	Ignition Switch
25	Right Handlebar Controls
25	Left Handlebar Controls

Page

27	FEATURES (Not required for operation)
27	Steering Lock
27	Seat
29	Storage Compartment
30	Document Bag
30	Headlight Aim Vertical Adjustment
31	OPERATION
31	Pre-ride Inspection
32	Starting the Engine
34	Running-in
34	Riding
35	Shifting
36	Braking
37	Parking
38	Anti-theft Tips
38	MAINTENANCE
38	The Importance of Maintenance
39	Maintenance Safety

Page		Page	
40	Safety Precautions	69	Fuse Replacement
41	Maintenance Schedule	72	Brake Light Switch Adjustment
44	Tool Kit	72	Bulb Replacement
44	Serial Numbers	75	CLEANING
45	Colour Code	77	STORAGE GUIDE
46	Engine Oil	77	Storage
48	Crankcase Breather	78	Removal from Storage
49	Spark Plug	79	SPECIFICATIONS
50	Valve Clearance	83	CATALYTIC CONVERTER
52	Idle Speed		
53	Throttle Operation		
53	Air Cleaner		
54	Drive Chain		
59	Front and Rear Suspension Inspection		
60	Side Stand		
60	Wheel Removal		
65	Brake Pad Wear		
66	Brake Shoe Wear		
67	Battery		

VEHICLE SAFETY

IMPORTANT SAFETY INFORMATION

Your vehicle can provide many years of service and pleasure – if you take responsibility for your own safety and understand the challenges that you can meet on the road.

There is much that you can do to protect yourself when you ride. You'll find many helpful recommendations throughout this manual. Followings are a few that we consider most important.

Always Wear a Helmet

It's a proven fact: Helmets significantly reduce the number and severity of head injuries. So always wear a helmet and make sure your passenger does the same. We also recommend that you wear eye protection, sturdy boots, gloves and other protective gear (page 3).

Make Yourself Easy to be Visible

Some drivers do not see vehicles because they are not looking for them. To make yourself more visible, wear bright reflective clothing, position yourself so other drivers can see you, signal before turning or changing lanes, and use your horn when required, it will help others notice you.

Ride Within Your Limits

Pushing the limits is another major cause of vehicle accidents. Never ride beyond your personal abilities or faster than conditions warrant. Remember that alcohol, drugs, fatigue and inattention can significantly reduce your ability to make good judgements and ride safely.

Keep Your Vehicle in Safe Condition

For safe riding, it is important to inspect your vehicle before every ride and perform all recommended maintenance. Never exceed load limits, and only use accessories that have been approved by Honda for this vehicle. See page 5 for more details.

Don't Drink and Ride

Alcohol and riding don't mix. Even one drink can reduce your ability to respond to changing conditions, and your reaction time gets worse with every additional drink. So don't drink and ride, and don't let your friends drink and ride either.

PROTECTIVE APPAREL

For your safety, we strongly recommend that you always wear an approved vehicle helmet, eye protection, boots, gloves, long pants and a long-sleeved shirt or jacket whenever you ride. Although complete protection is not possible, wearing proper gear can reduce the chance of injury when you ride.

Followings are suggestions to help you choose proper gear.

⚠ WARNING

Not wearing a helmet increases the chance of serious injury or death in a crash.

Be sure you and your passenger always wear a bright color helmet with reflective strips, eye protection and other protective apparel during ride.

Helmets and Eye Protection

Your helmet is your most important piece of riding gear because it offers the best protection against head injuries. A helmet should fit your head comfortably and securely. A bright-colored helmet can make you more noticeable in traffic, as can reflective strips.

An open-face helmet offers some protection, but a full-face helmet offers more. Always wear a face shield or goggles to protect your eyes and help your vision.

Additional Riding Gear

In addition to a helmet and eye protection, we also recommend:

- Sturdy boots with non-slip soles to help protect your feet and ankles.
- Leather gloves to keep your hands warm and help prevent blisters, cuts, burns and bruises.

- A vehicle riding suit or jacket for comfort as well as protection. Bright-colored and reflective clothing can help make you more noticeable in traffic. Be sure to avoid loose clothes that could get caught on any part of your vehicle.

LOAD LIMITS AND GUIDELINES

Your vehicle has been designed to carry you, one passenger and a limited amount of cargo. When you add cargo or carry a passenger, you may feel some difference during acceleration and braking. But so long as you keep your vehicle well-maintained, with good tyres and brakes, you can safely carry loads within the given limits and guidelines.

However, exceeding the weight limit or carrying an unbalanced load can seriously affect your vehicle's handling, braking and stability. Non-Honda accessories, improper

modifications, and poor maintenance can also reduce your safety margin.

The following pages give more specific information on loading, accessories and modifications.

Loading

How much weight you put on your vehicle, and how you load it, are important to your safety. Anytime you ride with a passenger or cargo you should be aware of the following information.

⚠ WARNING

Overloading or improper loading can cause a crash and you can be seriously hurt or killed.

Follow all load limits and other loading guidelines in this manual.

Load Limits

Following are the load limits for your vehicle:

Maximum weight capacity:

170 kg (375 lbs)

Includes the weight of the rider, passenger, all cargo and all accessories.

Maximum cargo weight:

9 kg (19.8 lbs)

LOADING GUIDELINES

Your motorcycle is primarily intended for transporting you and a passenger. You may wish to secure a jacket or other small items to the seat when you are not riding with a passenger.

If you wish to carry more cargo, check with your Honda dealer for advice, and be sure to read the information regarding accessories on page 6.

Improperly loading your motorcycle can affect its stability and handling. Even if your

motorcycle is properly loaded, you should ride at reduced speeds whenever carrying cargo.

Follow these guidelines whenever you carry a passenger or cargo:

- Check that both tyres are properly inflated (page 21).
- To prevent loose items from creating a hazard, make sure that all cargo is securely tied down before you ride away.
- Place cargo weight as close to the center of the vehicle as possible.
- Balance cargo weight evenly on both sides.
- Do not attach large or heavy items (such as a sleeping bag or tent) to the handlebars, forks or fender.

Accessories and Modifications

Modifying your vehicle or using non-Honda accessories can make your vehicle unsafe. Before you consider making any modifications or adding an accessory, be sure to read the following information.

⚠ WARNING

Improper accessories or modifications can cause a crash in which you can be seriously hurt or killed.

Follow all instructions in this owner's manual regarding accessories and modifications.

Accessories

We strongly recommend that you use only genuine Honda accessories that have been specifically designed and tested for your vehicle. Because Honda cannot test all other accessories, you must be personally responsible for proper selection, installation and use of non-Honda accessories. Check with your dealer for assistance and always follow these guidelines:

- Make sure the accessory does not obscure any lights, reduce ground clearance and banking angle, limit suspension travel or steering travel, alter your riding position or interfere with operating any controls.
- Be sure electrical equipment does not exceed the vehicle's electrical system capacity (page 81). A blown fuse can cause a loss of lights or engine power.

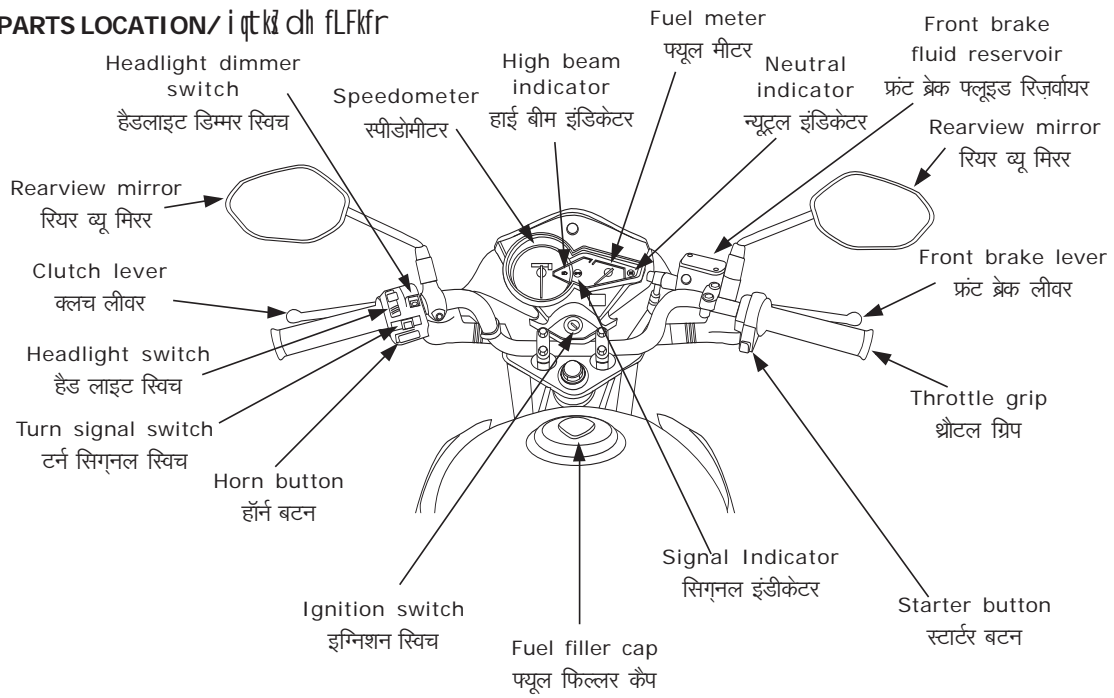
- Do not pull a trailer or sidecar with your vehicle. This vehicle was not designed for these attachments, and their use can seriously impair your vehicle's handling.

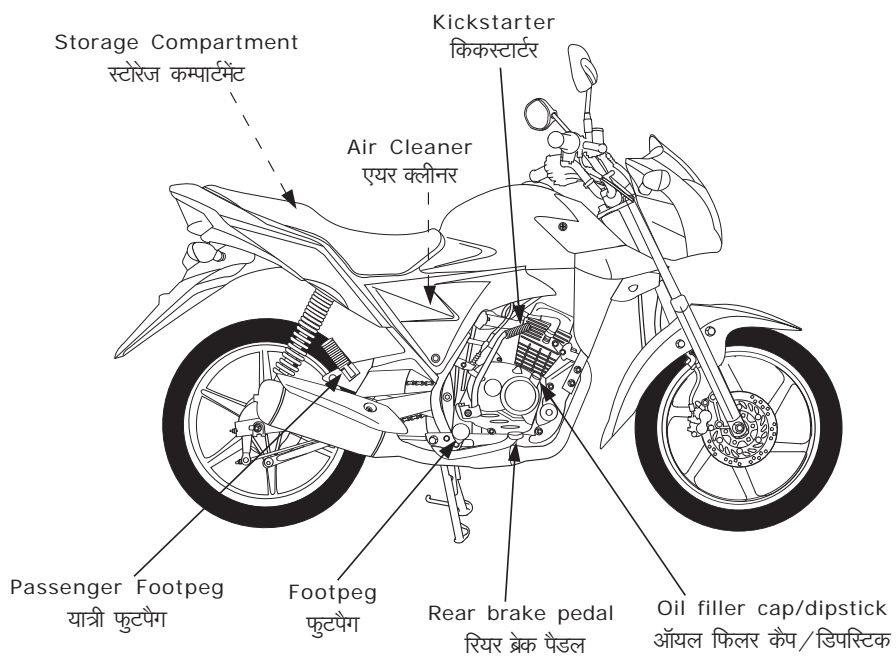
MODIFICATIONS

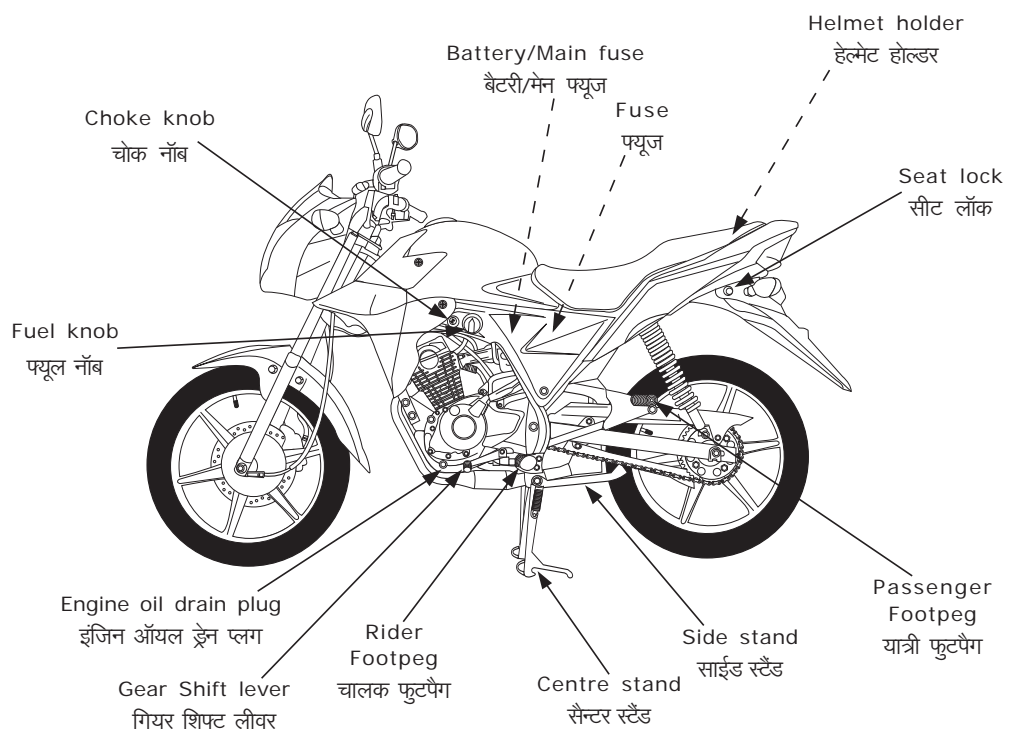
We strongly advise you not to remove any original equipment or modify your vehicle in any way that would change its design or operation. Such changes could seriously impair your vehicle's handling, stability and braking, making it unsafe to ride.

Removing or modifying your lights, mufflers, emission control system or other equipment can also make your vehicle illegal.

PARTS LOCATION/ i qtkl dh fLFkfr

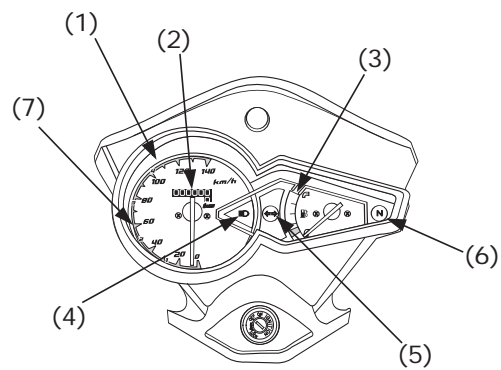






INSTRUMENTS AND INDICATORS

The indicators are contained in the instrument panel. Their functions are described in the tables on the following pages.



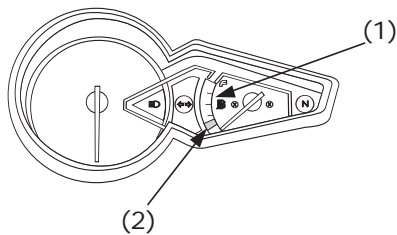
- (1) Speedometer (स्पीडोमीटर)
- (2) Odometer (ऑडोमीटर)
- (3) Fuel meter (फ्यूल मीटर)
- (4) High beam indicator (हाई बीम इंडिकेटर)
- (5) Turn signal indicator (टर्न सिगनल इंडिकेटर)
- (6) Neutral indicator (न्यूट्रल इंडिकेटर)
- (7) Gear range (गियर रेंज)

(Ref. No.) Description	Function
(1) Speedometer	Shows riding speed.
(2) Odometer	Shows accumulated mileage.
(3) Fuel meter	Shows approximate fuel function available (page 12)
(4) High beam indicator (blue)	Indicate when the headlight is glowing on high beam.
(5) Turn signal indicator (orange)	Flashes when any of the turn signal operates.
(6) Neutral indicator (green)	Indicate when the transmission is in neutral.
(7) Gear range	Shows proper speed range for each gear

FUEL METER

When the gauge needle enters the red band (2), it shows the less fuel in the tank. Turn the fuel valve to the RES position and you should refill the tank as soon as possible. The amount of fuel left in the tank with the vehicle set upright when the needle enters the red band is approximately.

1.6 L (0.42 US gal, 0.35 Imp gal)



(1) Fuel meter (फ्यूल मीटर)

(2) Red band (रेड बैंड)

12

MAJOR COMPONENTS

(INFORMATION YOU NEED TO OPERATE THIS VEHICLE)

BRAKES

Front Brake (Disc type)

This vehicle has a hydraulic front disc brake. As the brake pads wear, brake fluid level drops.

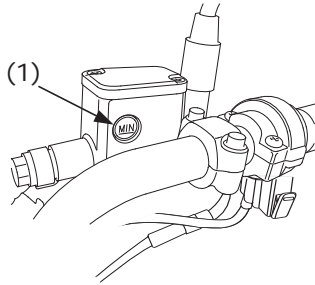
There are no adjustments to perform, but fluid level and pad wear must be inspected periodically. The system must be inspected frequently to ensure there are no fluid leaks. If the brake lever free travel becomes excessive and the brake pads are not worn beyond the recommended limit.(page 65), there is probably air in the brake system and bleeding must be done. See your Honda dealer for this service.

Front Brake Fluid Level:

With the vehicle in an upright position, check the fluid level. It should be above the MIN level mark (1). If the level is at or below the MIN level mark, check the brake pads for wear (Page 65).

Worn pads should be replaced. If the pads are not worn, have your brake system inspected for leaks.

The recommended brake fluid is DOT 3 or DOT 4 brake fluid from a sealed container, or an equivalent.



(1) MIN level mark (न्यूनतम स्तर मार्क)

Other Checks:

Make sure there are no fluid leaks. Check for deterioration or cracks in the hoses and fittings.

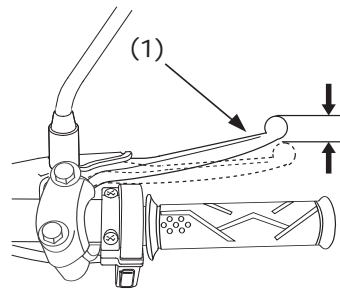
Front Brake (Drum type)

Brakes are items of personal safety and should always be maintained in proper adjustment.

The distance the front brake lever or rear brake pedal moves before the brake starts to engage is called freeplay.

Measured at the tip of the front brake lever (1), freeplay should be maintained at:

10-20 mm (0.4-0.8 in)



(1) Front brake lever (फ्रंट ब्रेक लीवर)

Adjustment:

1. Front brake adjustment should be made using the front brake-adjusting nut (2) at the front wheel.
2. Adjust the brake lever free play with the front brake-adjusting nut. Turning the nut clockwise will decrease freeplay and turning the nut counterclockwise will increase freeplay.

Make sure the cut-out on the adjusting nut is seated on the brake arm pin (3) after making final freeplay adjustment.

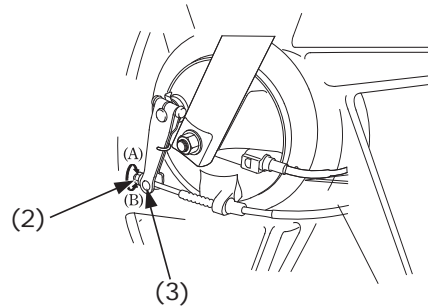
Apply the brake several times and check for free wheel rotation after the brake lever is released.

If proper adjustment cannot be obtained by this method, see your Honda dealer.

Other Checks:

Check the brake cable for kinks or signs of wear that could cause sticking or failure.

Make sure the brake arm, spring and fasteners are in good condition.



(2) Front brake adjustment nut

(फ्रंट ब्रेक एडजस्टमेंट नट)

(3) Brake arm pin (ब्रेक आर्म पिन)

(A) Decrease freeplay (फ्री प्ले घटाएँ)

(B) Increase freeplay (फ्री प्ले बढ़ाएँ)

REAR BRAKE

Adjustment:

1. Place the vehicle on its center stand.
2. Measure the distance of rear brake pedal (1) moves before the brake starts to take hold.

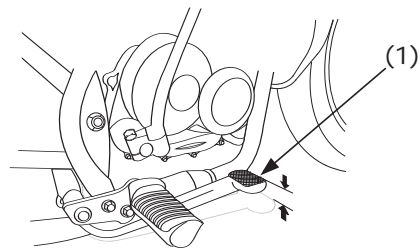
Freeplay should be:
20-30 mm (0.8-1.2 in)

3. If adjustment is necessary, turn the rear brake-adjusting nut (2).

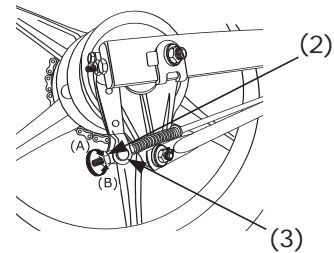
Make sure the cut-out on the adjusting nut is seated on the brake arm pin (3) after making final free play adjustment.

4. Apply the brake several times and check for free wheel rotation after the brake pedal is released.

If proper adjustment cannot be obtained by this method, see your Honda dealer.



(1) Rear brake pedal (रियर ब्रेक पैडल)



(2) Adjusting nut (एडजस्टिंग नट)

(3) Brake arm pin (ब्रेक आर्म पिन)

(A) Decrease freeplay (फ्री प्ले घटाएँ)

(B) Increase freeplay (फ्री प्ले बढ़ाएँ)

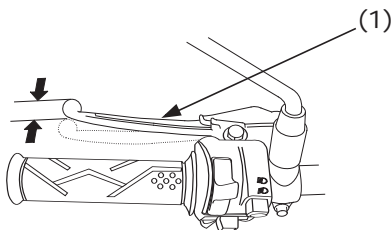
Other Checks:

Make sure the brake rod, brake arm, spring and fasteners are in good condition.

CLUTCH

Clutch adjustment may be required if the vehicle stalls when shifting into gear or tends to creep; or if the clutch slips, causing acceleration to lag behind engine speed.

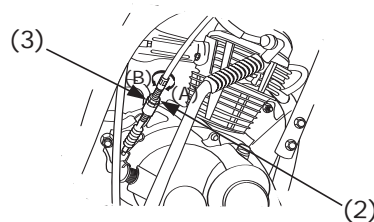
Normal clutch lever freeplay is:
10-20 mm (0.4-0.8 in)



(1) Clutch lever (क्लच लीवर)

16

1. Loosen the lock nut (2) at the lower end of the cable. Turn the adjusting nut (3) to obtain the specified freeplay. Tighten the lock nut and check the adjustment.
2. Start the engine, pull in the clutch lever and shift into gear. Make sure the engine does not stall and the vehicle does not creep. Gradually release the clutch lever and open the throttle. The vehicle should begin to move smoothly and accelerate gradually.



(2) Lock nut (लॉक नट)

(3) Adjusting nut (एडजस्टिंग नट)

(A) Increase freeplay (फ्री प्ले बढ़ाएँ)

(B) Decrease freeplay (फ्री प्ले घटाएँ)

If proper adjustment cannot be obtained or the clutch does not work correctly, see your Honda dealer.

Other Checks:

Check the clutch cable for kinks or signs of wear that could cause sticking or failure.

FUEL

FUEL KNOB

The three-way fuel knob (1) is on the left side below the fuel tank.

ON

With the fuel valve in the ON position, fuel will flow from the main fuel supply to the carburetor.

OFF

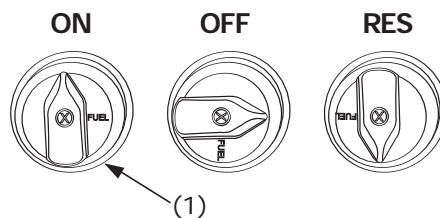
With the fuel knob in the OFF position, fuel cannot flow from the tank to the carburetor. Turn the knob OFF whenever the vehicle is not in use.

RES

With the fuel knob in the RES position, fuel will flow from the reserve fuel supply to the carburetor. Use the reserve fuel only when the main supply is gone. Refill the tank as soon as possible after switching to RES. The reserve fuel supply is:

1.6 L (0.42 US gal, 0.35 Imp gal)

Remember to check that the fuel knob is in ON position each time you refuel. If the knob is left in RES position, you may not notice when you run out of fuel with no reserve.



(1) Fuel knob (फ्यूल नॉब)

FUEL TANK

The fuel tank capacity including the reserve supply is:

8.0 L (2.11 US gal, 1.76 Imp gal)

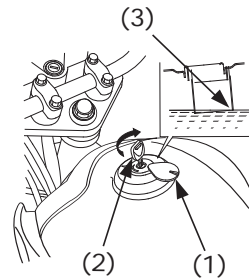
To open the fuel fill cap (1), slide the fuel cap key shutter insert the ignition key (2) and turn it clockwise. The fuel fill cap will pop up and can be lifted off. Do not overfill the tank. There should be no fuel in the filler neck (3).

After refueling, to close the fuel fill cap, keep the mark of front side of fuel filler cap at front. Push the fuel fill cap into the filler neck until it snaps closed and gets locked. Remove the key.

⚠ WARNING

Petrol is highly flammable and explosive. You can be burned or seriously injured when handling fuel.

- Stop the engine and keep heat, sparks and flame away.
- Refuel only at outdoors.
- Wipe up spills immediately.



- (1) Fuel fill cap (फ्यूल फिल कैप)
(2) Ignition key (इग्नीशन की)
(3) Filler neck (फिल्लर नैक)

Use unleaded or low- lead petrol with a research octane number of 91 or higher. We recommend that you use unleaded petrol because it produces fewer engine and spark plug deposits and extends the life of exhaust system components.

NOTICE

If "spark knock" or " pinking" occurs at a steady engine speed under normal load, change brands of petrol. If the spark knock or pinking persists, consult your Honda dealer. Failure to do so is considered misuse, and damage caused by misuse is not covered by Honda's Limited Warranty.

PETROL CONTAINING ALCOHOL

If you decide to use a petrol containing alcohol (gasohol), be sure it's octane rating is at least as high as that recommended by Honda.

⚠ WARNING

Adulterated fuel not to be used. It causes damage to the engine parts and considered as misuse, damage caused by misuse is not covered under Honda warranty.

- When certain types of petrol containing alcohol are used, problem such as hard starting, poor performance, etc. may occur.
- If you notice any undesirable operating symptoms while using a petrol that contains alcohol, try another station or switch to another brand of petrol.
- When a problem resulting from the use of petrol containing alcohol occurs, contact your Honda dealer.

ENGINE OIL

ENGINE OIL LEVEL CHECK

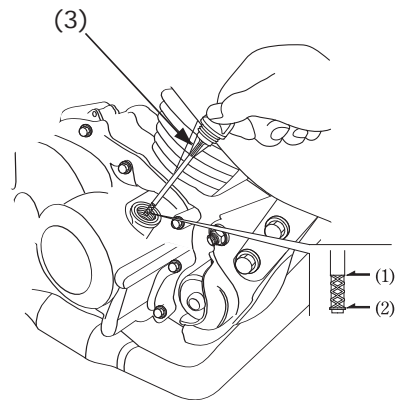
Check the engine oil level each day before riding the vehicle.

The level must be maintained between the upper (1) and lower (2) level marks on the oil filler cap/dipstick (3).

1. Start the engine and let it idle for 3-5 minutes.
2. Stop the engine and put the vehicle on its center stand on level ground.
3. After 2-3 minutes, remove the oil filter cap/dipstick, wipe it clean, and reinsert the oil filler cap/dipstick without screwing it in. Remove the oil filler cap/dipstick. The oil level should be between the upper and lower level marks on the oil filler cap/dipstick.
4. If required, add the specified oil (see page 46) up to the upper level mark. Do not overfill.
5. Reinstall the oil filler cap/dipstick. Check for oil leaks.

NOTICE

Running the engine with insufficient oil pressure may cause serious engine damage.



- (1) Upper level mark (ऊपरी स्तर चिन्ह)
- (2) Lower level mark (निचला स्तर चिन्ह)
- (3) Oil level cap/dipstick (ऑयल स्तर कैप/डिपस्टिक)

TYRES

To safely operate your vehicle, your tyres must be the proper type and size, in good condition with adequate tread, and correctly inflated for the load you are carrying. The following pages give more detailed information on how and when to check your air pressure, how to inspect your tyres for damage and what to do when your tyres need to be repaired or replaced.

WARNING

Using tyres that are excessively worn or improperly inflated can cause a crash in which you can be seriously hurt or killed.

Follow all instructions in the owner's manual regarding tyre inflation and maintenance.

AIR PRESSURE

Keeping your tyres properly inflated provides the best combination of handling, tread life and riding comfort. Generally under inflated tyres wear unevenly, adversely affect handling, and are more likely to fail from being overheated.

Over inflated tyres make your motorcycle ride harshly, are more prone to damage from road hazards, and wear unevenly.

We recommend that you visually check your tyres before every ride and use gauge to measure air pressure at least once a month or any time you think the air pressure might be low.

Always check air pressure when your tyres are "cold"- When the vehicle has been parked at least three-four hours. If you check air pressure when your tyres are "warm" – when the vehicle has been ridden for even a few miles- the reading will be

higher than of the tyres were "cold". This is normal; so do not let air out of the tyres to match the recommended air pressures given below. If you do the tyres will be under inflated.

The recommended "cold" tyre pressures are:

kPa (kgf/cm ² , psi)		
Driver only	Front	175 (1.75, 25)
	Rear	200 (2.00, 29)
Driver and one passenger	Front	175 (1.75, 25)
	Rear	280 (2.80, 41)



NOTICE

We recommend that always maintain correct air pressure in tyres. Incorrect air pressure may cause to uncomfortable riding, tyre life reduction and low mileage.

22

This vehicle is fitted with tubeless tyre in both wheels. Compared with ordinary tube tyre, the tubeless tyre releases slow air leak when punctured by a nail or other similar object. For this reason, even though they remain fully inflated, it is important to regularly check the tyre for embedded objects.

INSPECTION

Whenever you check the tyre pressures, you should also examine the tyre treads and sidewalls for wear, damage, and foreign objects:

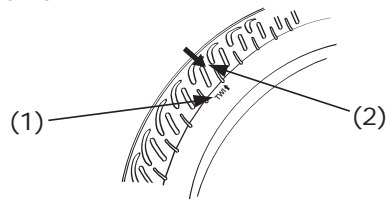
Look for:

- Bumps or bulges in the side of the tyre or the tread. Replace the tyre if you find any bumps or bulges.
- Cuts, splits or cracks in the tyre. Replace the tyre if you can see fabric or cord.
- Excessive tread wear.

Also, if you hit a pothole or hard object, pull to the side of the road as soon as you safely can and carefully inspect the tyres for damage.

TREAD WEAR

Replace tyres when tread reach to the wear indicator arrow.



(1) Wear indicator (वियर इंडिकेटर)

(2) Wear indicator location mark (वियर इंडिकेटर लोकेशन चिह्न)

TYRE REPAIR

If a tubeless tyre is punctured or damaged, Please visit nearest tyre manufacture dealer and follow his recommendation of repair or replacement.

⚠ CAUTION

Repair/Replacement of tubeless tyre by unauthorized person may render the tyre useless or tyre can fail while driving.

TYRE REPLACEMENT

The tyres that came on your vehicle were designed to match the performance capabilities of your vehicle and provide the best combination of handling, braking, durability and comfort.

⚠ WARNING

Installing improper tyres on your vehicle can affect handling and stability. This can cause a crash in which you can be seriously hurt or killed.

Always use the size and type of tyres recommended in this owner's manual.

The recommended tyres for your vehicle are:

Front : 70/100-17M/C 40P

Rear : 80/100-17M/C 53P

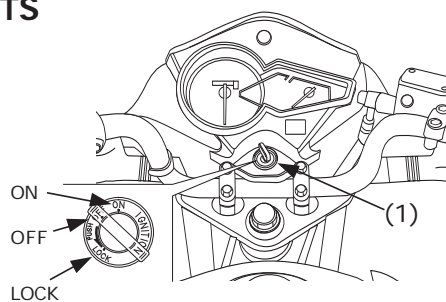
Type : bias-ply, tubeless

Whenever you replace a tyre, use one that is equivalent to the original and be sure the wheel is balanced after the new tyre is installed.

ESSENTIAL INDIVIDUAL COMPONENTS

IGNITION SWITCH

The ignition switch (1) is below the speedometer.



(1) Ignition switch (इग्नीशन स्विच)

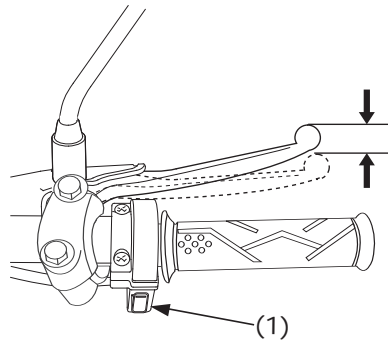
Key Position	Function	Key Removal
LOCK (steering lock)	Steering is Locked. Engine and lights cannot be operated.	Key can be removed
OFF	Engine and lights cannot be operated.	Key can be removed
ON	Engine and lights can be operated Turn signal, passing light control switch and horn can be operated. The headlight, taillight and meter lights operates only when the engine is running	Key cannot be removed

RIGHT HANDLEBAR CONTROL

START BUTTON (IN CASE OF SELF START ONLY)

The start button (1) is next to the throttle grip.

When the start button is pressed, the starter motor cranks the engine. See page 33 for the starting procedure.





(1) Start button (स्टार्ट बटन)

LEFT HANDLEBAR CONTROLS

HEADLIGHT SWITCH (1)

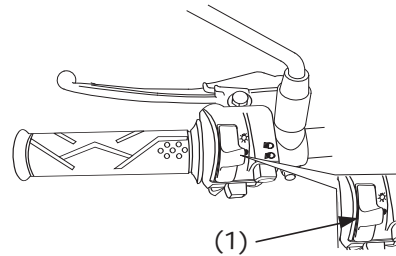
The headlight switch (1) has two positions;

 and (.)

 : Headlight, taillight and meter lights on.



OFF (.) : Headlight, taillight and meter lights off.

The headlight, taillight and meter lights operates only when the engine is running.

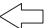



(1) Headlight switch (हेडलाइट स्विच)

HEADLIGHT DIMMER SWITCH (2)

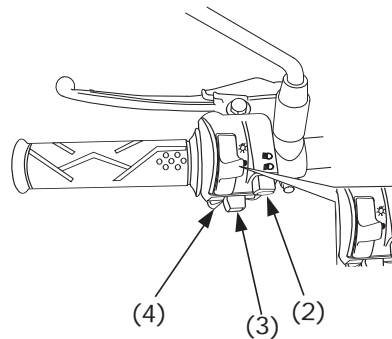
Push the dimmer switch to  (HI) to select high beam or to  (LO) to select low beam

TURN SIGNAL SWITCH (3)

Move to  (L) to signal a left turn,  (R) to signal a right turn. Press to turn off the signal.

HORN BUTTON (4)

Press the button to sound the horn.



- (2) Headlight dimmer switch (हेडलाइट डिमर स्विच)
- (3) Turn signal switch (टर्न सिगनल स्विच)
- (4) Horn button (हॉर्न बटन)

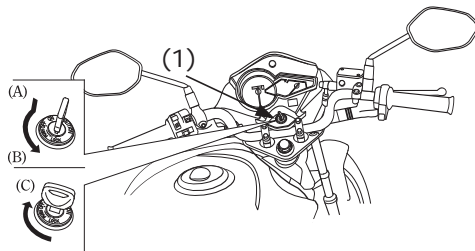
FEATURES

(NOT REQUIRED FOR OPERATION)

STEERING LOCK

To lock the steering, turn the handlebar all the way to the left or right, turn the key (1) to LOCK position while pushing in. Remove the key. To unlock the steering, turn the key to OFF.

Do not turn the key to LOCK while riding the vehicle which may result loss of vehicle control.

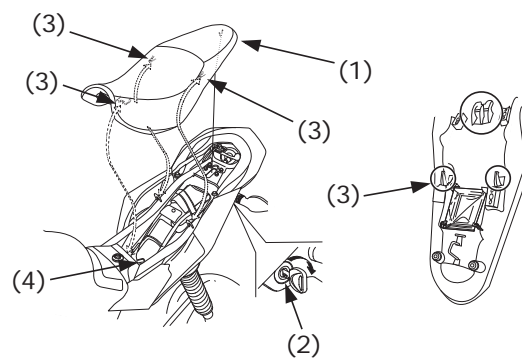


- (1) Ignition key (इग्नीशन की)
- (A) Push in (पुश-इन)
- (B) Turn to LOCK (लॉक की ओर घुमाएँ)
- (C) Turn to OFF (ऑफ की ओर घुमाएँ)

SEAT

Removal

For the seat removal, insert the ignition key into the seat lock and turn it clockwise. Pull the seat back and up.



- (1) Seat (सीट)
- (2) Seat lock (सीट लॉक)
- (3) Prong (प्रॉंग)
- (4) Recess (रिसैस)

Installation

For seat installation, insert the prongs into the recess under the frame cross member and then push down on the rear of the seat.

Be sure the seat is locked securely in position after installation.

HELMET HOLDER

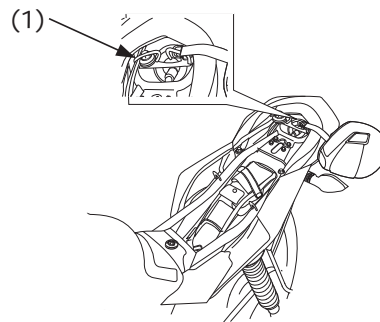
The helmet holder is located below the seat. Remove the seat. Hang the helmet on the holder hook (1).

Install the seat and lock it securely.

⚠ WARNING

Riding with a helmet attached to the holder can interfere with the rear wheel or suspension and could cause a crash in which you can be seriously hurt or killed.

Use the helmet holder only while parked. Do not ride with a helmet secured by the holder.



(1) Helmet holder hook (हेल्मेट होल्डर हुक)

LEFT SIDE COVER

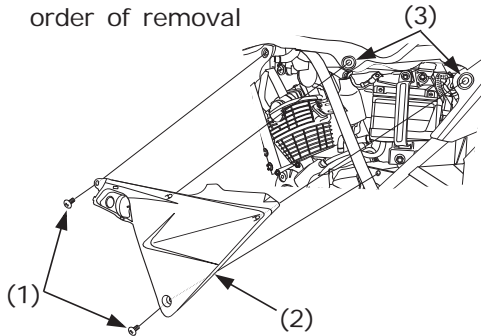
The Left sidecover must be removed for battery and fuse maintenance.

Removal:

1. Remove the seat (page 27).
2. Remove the screws (1).
3. Carefully pull the side cover (2) out from the grommet (3).

Installation:

- Installation can be done in the reverse order of removal



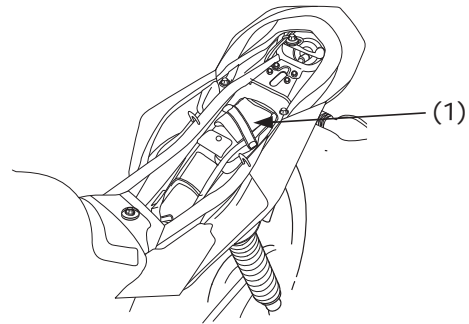
- (1) Screws (स्कू) (2) Side cover (साईड कवर)
(3) Grommet (ग्रॉमेट)

STORAGE COMPARTMENT

The storage compartment (1) is located under the seat (page 27). This compartment is for light weight items.

Tool kit and first aid kit should be stored in this light weight compartment.

When washing your vehicle, be careful not to flood this area with water.

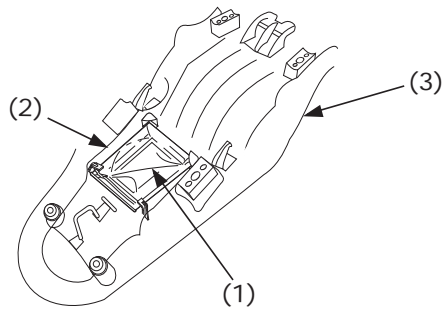


- (1) Storage compartment (स्टोरेज कम्पार्टमेंट)

DOCUMENT BAG

The document bag (1) is in the document compartment (2) on the reverse side of the seat (3).

This owner's manual and other documents should be stored in the document bag. When washing your vehicle, be careful not to flood this area with water.



- (1) Document bag (दस्तावेज बैग)
- (2) Document compartment (दस्तावेज कम्पार्टमेंट)
- (3) Seat (सीट)

30

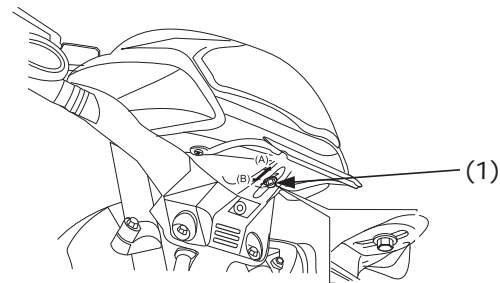
HEADLIGHT AIM VERTICAL ADJUSTMENT

ADJUSTMENT

Vertical adjustment can be made by moving the headlight assy, as necessary.

To move the headlight assy, loosen the bolt (1). Tighten the bolt after adjustment.

Obey local laws and regulations.



- (1) Bolt (बोल्ड)
- (A) Up (ऊपर)
- (B) Down (नीचे)

OPERATION

PRE-RIDE INSPECTION

For your safety, it is very important to take a few moments before each ride to walk around your vehicle and check its condition. If you detect any problem, be sure you take care of it, or have it corrected by your Honda dealer.

WARNING

Improperly maintaining this vehicle or failing to correct a problem before riding can a crash in which you can be seriously hurt or killed.

Always perform a pre-ride inspection before every ride and correct any problems.

1. Engine oil level- add engine oil if required (page 19). Check for leaks.
2. Fuel Level- fill fuel tank when necessary (page 18). Check for leaks.
3. **(For Drum type)**
Front and rear brakes.
Check operation and if necessary, adjust free play (page 14-15).
(For Disc type)
Check Operation;
Front: make sure there is no brake fluid leakage (page 12- 13).
4. Tyres – check condition and pressure (page 21 –23).
5. Drive chain – check condition and slackness (page 54). Adjust and lubricate if necessary. 4
6. Throttle- check for smooth opening and full closing in all steering positions.
7. Clutch- check operation, and adjust if necessary (page 16).

8. Lights and horn – check these turn signals, indicators and horn function properly.

STARTING THE ENGINE

Always follow the proper starting procedure described below.

The vehicle can also be started with the transmission in gear by disengaging the clutch before operating the self starter.

Your vehicle's exhaust contains poisonous carbon monoxide gas. High level of carbon monoxide can collect rapidly in enclosed areas such as a garage. Do not run the engine with the door open, run the engine only long enough to move your vehicle out of the garage.

Do not use the electric starter for more than 5 seconds at a time. Release the start button

for approximately 10 seconds before pressing it again.

Do not operate the kick-starter while the engine is running as engine damage could result. Do not apply excessive force on the kick-starter.

Fold up the kick-starter after the kick-starter is returned to the pedal stop.

PREPARATION

Before starting, insert the key, turn the ignition switch ON and confirm the following:

- The transmission is in neutral (neutral indicator light ON).
- The fuel knob is ON.

STARTING PROCEDURE

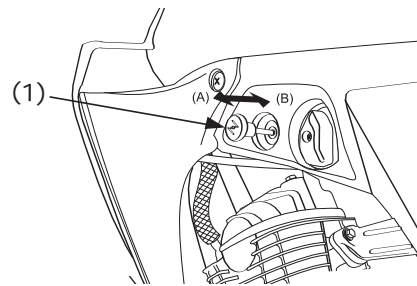
Cold Engine:

1. Pull the choke lever (1) outward to fully ON (A).
2. With the throttle closed, press the start button.
(or use the kickstarter)
Lightly depress the kick-starter until resistance is left.
Then let the kick-starter return to top of its stroke.
With the throttle closed, operate the kick starter.
3. When engine speed begins to pick up, slowly press the choke lever to off position.

NOTICE

Extended use of the choke may impair piston and cylinder wall lubrication and damage the engine.

4. Continue warming up the engine until it runs smoothly and responds to the throttle, when the choke lever (1) is at fully OFF (B).



- (1) Choke Lever (चोक लीवर) (A) Fully ON (पूर्णतया ऑन)
(B) Fully OFF (पूर्णतया ऑफ)

Warm Engine

- (1) Do not use the choke.
- (2) Open the throttle slightly.
- (3) Start the engine.

FLOODED ENGINE

(Use the start button)

If the engine fails to start after repeated attempts, it may be flooded with excess fuel. To clear a flooded engine, turn the ignition switch to ON, and move the choke lever to fully OFF (B). Open the throttle fully and crank the engine for 5 seconds. If the engine starts, quickly close the throttle, then open it slightly if idling is unstable. If the engine does not start, wait 10 seconds, then follow the starting procedure.

(Use the kickstarter)

If the engine fails to start after several repeated attempts, it may have become flooded with excess fuel. To clear the engine, turn off the ignition switch and move the choke lever to fully OFF (B). Open the throttle fully and crank the engine several times with the kick-starter. Turn the ignition switch to ON and open the throttle slightly, start the engine using the kick-starter.

34

RUNNING- IN

Assure your vehicle's future reliability and performance by paying extra attention to how you ride during the first 500 km (300 miles).

During this period, avoid full-throttle starts and rapid acceleration.

RIDING

Review vehicle safety (pages 1-6) before you ride.

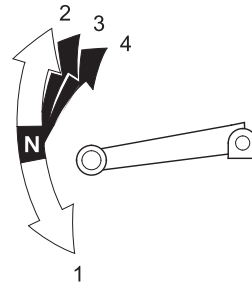
Make sure the side stand is fully retracted before riding the vehicle. If the stand is extended, it may interfere with control during a left turn.

1. After the engine has been warmed up, the vehicle is ready for riding.
2. While the engine is idling, pull in the clutch lever and depress gearshift pedal to shift into 1st (low) gear.

3. Slowly release the clutch lever and at the same time gradually increase engine speed by opening the throttle. Coordination of the throttle and clutch lever will assure a smooth positive start.
4. When the vehicle attains a moderate speed, close the throttle, pull in the clutch Lever and shift to 2nd gear by raising the gearshift pedal. This sequence is repeated to progressively shift to 3rd and 4th (top) gears.
5. Coordinate the throttle and brakes for smooth deceleration.
6. Both front and rear brakes should be used at the same time and should not be applied strongly enough to lock the wheel, or braking effectiveness will be reduced and control of the motorcycle be difficult.

SHIFTING

Proper shifting can prevent damaging the engine and transmission.



UPSHIFTING

The upper limit speed of each gear is shown in gear range (page 10).

Upshift to a higher gear before exceeding the upper limit speed.

Upshifting at speeds higher than the upper limit speed can cause damage to the engine.

DOWNSHIFTING

More higher downshifting speeds may overload the engine and can cause damage to the engine and transmission.

BRAKING

(Drum Type)

Your vehicle is equipped with mechanically-activated drum brakes. Operating the brake lever applies the front drum brake. Depressing the brake pedal applies the rear drum brake.

(Disc Type)

Your vehicle is equipped with a hydraulically activated disc brake in front and a mechanically-activated drum brake at the rear. Operating the brake lever applies the front disc brake. Depressing the brake pedal applies the rear drum brake.

For normal braking, apply both the brake pedal and lever while downshifting to match your road speed. For maximum braking, close the throttle and firmly apply the pedal and lever, pull in the clutch lever before coming to a complete stop to prevent stalling the engine.

Important Safety Reminders:

- Independent operation of only the brake lever or brake pedal reduces stopping performance.
- Extreme application of the brake controls may cause wheel lock, reducing control of the vehicle.
- When possible, reduce speed or brake before entering a turn, closing the throttle or braking in mid-turn may cause wheel slip. Wheel slip will reduce control of the vehicle.

- When riding in wet or rainy condition, on loose surfaces, the ability to maneuver and stop will be reduced. All of your conditions, Rapid acceleration, braking or turning may cause loss of control. For your safety, exercise extreme caution when braking, accelerating or turning.
- When descending a long, steep grade, use engine compression braking by down- shifting with intermittent use of both brakes. Continuous brake application can overheat the brakes and reduce their effectiveness.
- Riding with your foot resting on the brake pedal or your hand on the brake lever may actuate the brake light, giving a false indication to other drivers; It may also overheat the brakes, reducing effectiveness.

PARKING

1. After stopping the vehicle, shift the transmission into neutral, turn the fuel cock OFF, turn the handle bar fully to the left or right, turn the ignition switch OFF and remove the key.
2. Use the centre stand to support the motorcycle while parked.

Park the vehicle on firm, level ground to prevent it from falling over.

If the vehicle is parked on a slight incline, aim the front of the vehicle uphill to reduce the possibility of rolling off the centre stand or overturning.

3. Lock the steering to help prevent theft (page 27).

ANTI THEFT TIPS

1. Always lock the steering and never leave the key in the ignition switch. This sounds simple but people do forget.
2. Be sure the registration information for your motorcycle is accurate and current.
3. Park your vehicle in a locked garage whenever possible.
4. Use an additional anti-theft device of good quality.
5. Put your name, address and phone number in this Owner's manual and keep it on your vehicle at all times.

Many times stolen vehicles are identified by information in the Owner's Manuals that are still with them.

NAME: _____

ADDRESS: _____

PHONE NO: _____

MAINTENANCE

THE IMPORTANCE OF MAINTENANCE

A well-maintained vehicle is essential for safe, economical and trouble-free riding. It will also help reduce air pollution.

To help you properly care for your vehicle, the following pages include a Maintenance Schedule and a Maintenance Record for regularly scheduled maintenance.

These instructions are based on the assumption that the vehicle will be used exclusively for its designed purpose. Sustained high speed operation or operation in unusually wet or dusty conditions will require more frequent service than specified in the Maintenance Schedule. Consult your Honda dealer for recommendations applicable to your individual needs and use. If your vehicle overturns or becomes involved in a crash, be sure your Honda dealer inspects all major parts, even if you are able to make some repairs.

⚠ WARNING

Improperly maintaining this vehicle or failing to correct a problem before you ride can cause a crash in which you can be seriously hurt or killed.

Always follow the inspection and maintenance recommendations and schedules in this owner's manual.

MAINTENANCE SAFETY

This section includes instructions on some important maintenance tasks. You can perform some of these tasks with the tools provided – if you have basic mechanical skills.

Other tasks that are more difficult and require special tools are best performed by professionals. Wheel removal should normally be handled only by a Honda technician or other qualified mechanic; instructions are included in this manual only to assist in emergency service.

Some of the most important safety precautions need to be followed. However, we cannot warn you of every conceivable hazard that can arise in performing maintenance. Only you can decide whether or not you should perform a given task.

WARNING

Failure to properly follow maintenance instructions and precautions can cause you to be seriously hurt or killed.

Always follow the procedures and precautions in this owner's manual.

SAFETY PRECAUTIONS

- Make sure the engine is off before you begin any maintenance or repairs. This will help eliminate several potential hazards:
 - **Carbon monoxide poisoning from engine exhaust.**
Be sure there is adequate ventilation whenever you operate the engine.
 - **Burns from hot parts.**
Let the engine and exhaust system cool before touching.
 - **Injury from moving parts.**
Do not run the engine unless instructed to do so.

- Read the instructions before you begin, and make sure you have the tools and skills required.
- To help prevent the vehicle from falling over, park it on a firm, level surface, using the center stand to provide support.
- To reduce the possibility of a fire or explosion be careful when working around petrol or batteries. Use only nonflammable solvent, not petrol, to clean parts. Keep cigarettes, sparks and flames away from the battery and all fuel-related parts.

Remember that your Honda dealer knows your vehicle best and is fully equipped to maintain and repair it.

To ensure the best quality and reliability use only new genuine Honda parts or their equivalents for repair and replacement.

MAINTENANCE SCHEDULE

Perform the pre-ride Inspection (Ref. page 31) at each scheduled maintenance period.

I: INSPECT, CLEAN, ADJUST, LUBRICATE OR REPLACE IF NECESSARY

C: CLEAN R: REPLACE A: ADJUST L: LUBRICATE.

The following items require some mechanical knowledge. Certain item (particularly those marked * and **) may require more technical information and tools. Consult your Honda dealer.

- * Should be serviced by your Honda dealer, unless the owner has the proper tools and service data and is mechanically qualified. Refer to the Official Honda Shop Manual.
- ** In the interest of safety, we recommend these items be serviced only by your Honda dealer.

Honda recommends that your Honda dealer should road test your vehicle after each periodic maintenance is carried out.

- NOTES: (1) At higher odometer reading, repeat at the frequency interval established here.
(2) Service more frequently when riding in unusually wet or dusty areas.
(3) Replace every 2 years. Replacement requires mechanical skill.

FREQUENCY		WHICHEVER →		ODOMETER READING [NOTE (1)]							
		COMES FIRST ↓	SERVICE DAYS	1st	2nd	3rd	4th	PAID SERVICE (Subsequent days/Kms applicable from last service)		REMARK	
ITEM		NOTE	KMS	30	90	150	210	60	120	6000	
*	FUEL LINE					I		I			
*	FUEL STRAINER SCREEN					C		C			
*	THROTTLE OPERATION			I	I	I	I	I	I		
*	CHOKE OPERATION			I	I	I	I	I	I		
	AIR CLEANER	(NOTE 2)		Do not open the air cleaner element until 15000 kms.unless there is any drivability problem.					R		Replace every 15000 kms
	SPARK PLUG			I	I	I	R	I	I	Replace every 9000 kms	
**	VALVE CLEARANCE					I		I			
*	CRANKCASE BREATHER			I	I	I	I	I	I	Inspect & Clean	
*	ENGINE OIL			R	I	R	I	R	I	Replace every 6000 kms	
**	ENGINE OIL CENTRIFUGAL FILTER			C				C		Clean every 12000 kms	
*	ENGINE OIL STRAINER SCREEN			C		C		C			
*	ENGINE IDLE SPEED			I	I	I	I	I	I		
*	SECONDARY AIR SUPPLY SYSTEM			I	I	I	I	I	I		
*	DRIVE CHAIN			I	I	I	I	I	I	Inspect & Lubricate every 1000 kms	
	BATTERY			I	I	I	I	I	I	Check Voltage	
	BRAKE FLUID	(NOTE 3)		I	I	I	I	I	I		
	BRAKE SHOES/PADS/DISC WEAR					I					

The motorcycle must be serviced at every 3000 kms or within 2 months, from the date of previous service.

FREQUENCY ITEM	WHICHEVER →		ODOMETER READING [NOTE (1)]						
	COMES FIRST ↓	SERVICE DAYS	1st	2nd	3rd	4th	PAID SERVICE <small>(Subsequent days/Kms applicable from last service)</small>		REMARK
			30	90	150	210	60	120	
NOTE	KMS	750	3000	6000	9000	3000	6000		
BRAKE LIGHT SWITCH									
HEAD LIGHT AIM									
CLUTCH SYSTEM									
SIDE STAND									
* SUSPENSION									
* NUTS, BOLTS, FASTENERS									
** WHEELS/TYRES									
** STEERING MOVEMENT									
ALL OTHER ELECTRICAL SWITCHES									
WASHING & CLEANING			C	C	C	C	C	C	
TEST DRIVE									

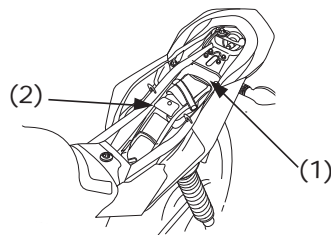
The motorcycle must be serviced at every 3000 kms or within 2 months, from the date of previous service.

TOOL KIT

The tool kit (1) is in the storage compartment (2) under the passenger seat.

Some road side repairs, minor adjustments and parts replacement can be performed with the tools contained in the kit.

- 8 x 10 mm open end wrench
- 14 x 17 mm open end wrench
- Screwdriver
- Spark plug wrench
- Tool bag
- Band Tool



- (1) Tool kit (टूल किट)
(2) Storage compartment (स्टोरेज कम्पार्टमेंट)

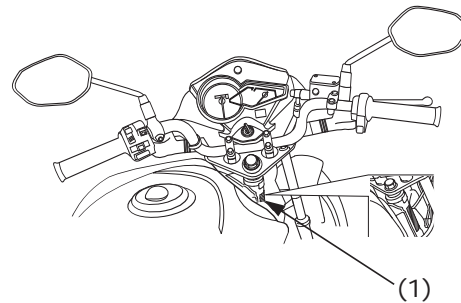
44

SERIAL NUMBER

The frame and engine serial numbers are required when registering your vehicle. They may also be required by your dealer when ordering replacement parts.

Record the numbers here for your reference.

FRAME NO. _____

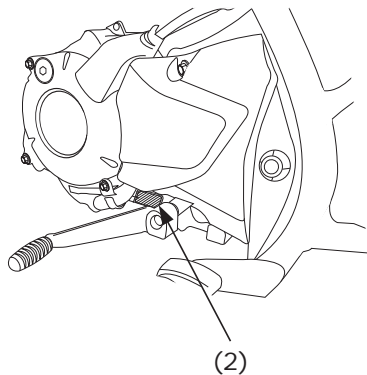


- (1) Frame number (फ्रेम नम्बर)

The frame number (1) is stamped on the right side of the frame body.

The engine number (2) is stamped on the left side of the crankcase.

ENGINE NO. _____



(2) Engine number (इंजन नम्बर)

COLOUR CODE

The colour table is attached below.

It is useful during ordering the replacement parts.

S.No.	Colour	Colour code
1.	Electric Yellow Metallic	Y210
2.	Pearl Nightstar Black	NHA84
3.	Pearl Siena Red	R320
4.	Pearl Fiji Blue	B202
5.	Candy Palm Green	GY142

The above colour code table helps in providing the correct colour part as per your vehicle colour.

ENGINE OIL

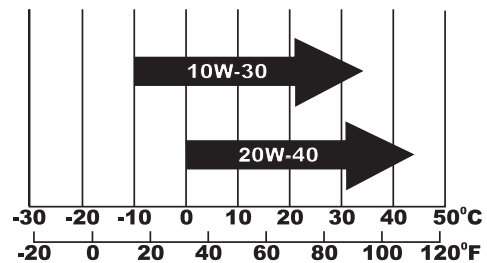
Refer to the Safety Precautions on page 40.

Engine Oil

Good engine oil has many desirable qualities. Use only high detergent, quality motor oil certified on the container to meet or exceed requirements for API Service Classification SJ.

Viscosity:

Viscosity grade of engine oil should be based on average atmospheric temperature in your riding area. The following provides a guide to the selection of the proper grade or viscosity of oil to be used at various atmospheric temperatures.



Recommended Oil

1. 20W-40
2. 10W-30MA

ENGINE OIL

Engine oil quality is the chief factor affecting engine service life. Change the engine oil as specified in the maintenance schedule (Ref. page 42).

When running in very dusty conditions, oil changes should be performed more frequently than specified in the maintenance schedule.

Please dispose of used engine oil in a manner that is compatible with the environment. We suggest you take it in a sealed container to your local recycling center or service station for reclamation. Do not throw it in the trash or pour it on the ground or down a drain.

Used engine oil may cause skin cancer if repeatedly left in contact with the skin for prolonged periods. Although this is unlikely unless you handle used oil on a daily basis,

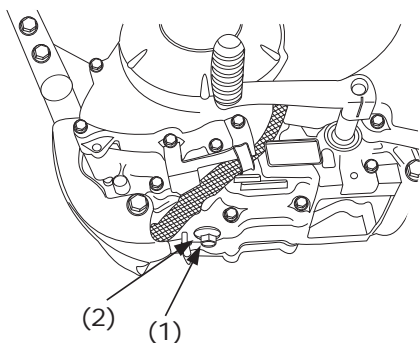
NOTICE

Always use Honda genuine engine oil. it is still advisable to thoroughly wash your hands with soap and water as soon as possible after handling used oil.

If a torque wrench is not used for this installation, see your Honda dealer as soon as possible to verify proper assembly. Change the engine oil from the engine at normal operating temperature and the vehicle on its center stand to assure complete and rapid draining.

1. To drain the oil, remove the oil filler cap/ dipstick and oil drain plug (1) and sealing washer (2).
2. Operate the kickstarter several times to aid in complete draining of the remaining oil.
3. Check that the sealing washer (2) on the drain bolt is in good condition and install the bolt. Replace the sealing washer every other time the oil is changed, or each time if necessary.
Oil Drain Bolt Torque:
30 N.m (3.0 kgf.m, 22 lbf.ft)
4. Fill the crankcase with recommended grade oil; approximately:
0.85 ltr. (0.9 US qt, 0.8 Imp qt)
5. Install the oil filler cap/dipstick.
6. Start the engine and let it idle for 3-5 minutes.

7. 2-3 minutes after stopping the engine, check oil level with dipstick. It should be on upper level mark of the dipstick with vehicle standing upright on firm level ground. Make sure there are no oil leaks.



- (1) Oil drain bolt (ऑयल ड्रेन बोल्ट)
(2) Sealing washer (सीलिंग वाशर)

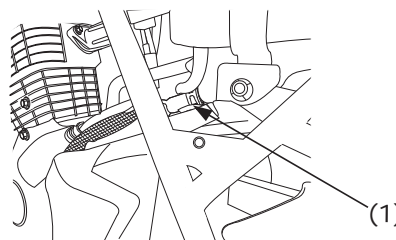
48

CRANKCASE BREATHER

Refer to the Safety Precautions on Page 40.

1. Remove the left side cover (page 29)
2. Remove the crankcase breather tube (1) from the air cleaner housing and drain deposits into a suitable container.
3. Reinstall the crankcase breather tube.

Service more frequently when riding in rain, or at full throttle.



- (1) Crankcase breather tube (क्रैंक-केस ब्रीदर ट्यूब)

SPARK PLUG

Refer to the safety precautions on page 40.

Recommended plugs:

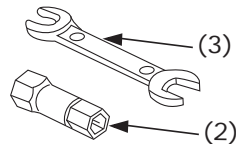
Standard:

CPR7EA-9 (NGK)

NOTICE

Never use a spark plug with an improper heat range. Severe engine damage could result.

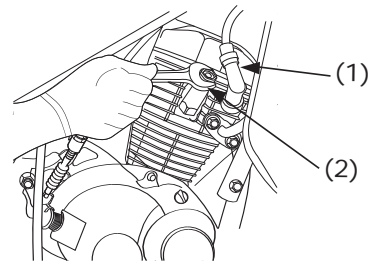
1. Disconnect the spark plug cap (1) from the spark plug.
2. Clean any dirt from around the spark plug base. Remove the spark plug using a spark plug wrench (2) and spanner (3) furnished in the tool kit.



3. Inspect the electrodes and center porcelain for deposits, erosion or carbon fouling. If the erosion or deposit is heavy, replace the plug. Clean a carbon or wetfouled plug with a plug cleaner, otherwise use a wire brush.
4. Check the spark plug gap (3) using a wire-type feeler gauge. If adjustment is necessary, bend the side electrode (4) carefully.

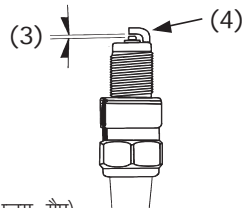
The gap should be:

0.8–0.9 mm (0.031–0.035 in)



- (1) Spark plug Cap (स्पाक प्लग कैप)
(2) Plug wrench (प्लग रेंच)
(3) Spanner (स्पेनर)

5. Make sure the plug washer is in good condition.
6. Washer of the plug attached thread the spark plug in by hand prevent cross threading.



- (3) Spark plug gap (स्पाक प्लग गैप)
 (4) Side electrode (साईड ईलेक्ट्रोड)

7. Tighten the spark plug:
 - If the old plug is good
1/8 turn after it seats.
 - If installing a new plug, tighten it twice to prevent loosening:
 - a) First tighten the plug:
NGK: 1/2 turn after it seats.
 - b) Then loosen the plug.
 - c) Next, tighten the plug again:
1/8 turn after it seats.

NOTICE

Improperly tightened spark plug:-

- Too loose:- Can damage the engine or can burn a piston.
- Too tight:- Can damage the threads of cylinder head.

8. Reinstall the spark plug cap. Take care to avoid pinching any cables or wires.

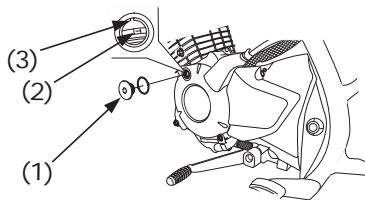
VALVE CLEARANCE

Should be serviced by your Honda dealer, unless the owner has the proper tools and service data and is mechanically qualified. Refer to the Official Honda Shop Manual.

Excessive valve clearance will cause noise and eventual engine damage. Little or no clearance will prevent the valve from closing and cause valve damage and power loss. Check the valve clearance at the specified intervals when the engine is in cold condition. The checking or adjusting of the clearance should be performed while the engine is cold.

The clearance will change as the engine temperature rises.

The adjustment must be made when the piston is at the top of the compression stroke when both the intake and exhaust valves are closed.



- (1) Timing hole cap (टाइमिंग होल कैप)
- (2) "T" mark ('टी' मार्क)
- (3) Index mark (इंडेक्स मार्क)

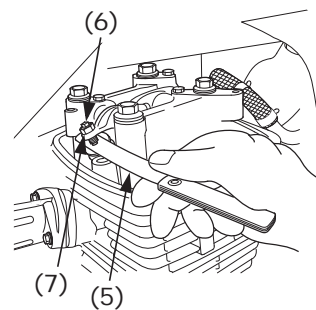
This condition can be determined by moving the rocker arms. If they are free, it is an indication that the valves are closed and that the piston is on the compression stroke. If they are tight and the valves are open, rotate the flywheel 360° and realign the "T" mark to the index mark.

Check the clearance of both valves by inserting a feeler gauge (5) between the adjusting screw (6) and the valve stem.

Clearance should be:

- Intake: 0.10 mm (0.004 in)
- Exhaust: 0.10 mm (0.004 in)

Finally, recheck the clearance to make sure that adjusting has not been disturbed.



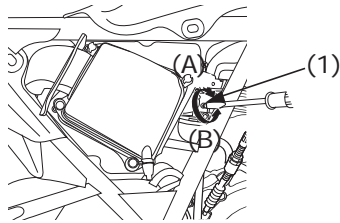
- (5) Feeler gauge (फीलर गेज)
- (6) Adjusting screw (एडजस्टिंग स्क्रू)
- (7) Adjusting screw lock nut (एडजस्टिंग स्क्रू लॉक नट)

IDLE SPEED

Refer to the safety precautions on page 40. The engine must be at normal operating temperature for accurate idle speed adjusting. 10 minutes of stop-and-go riding is sufficient.

Do not attempt to compensate for faults in other systems by adjusting idle speed. See your Honda dealer for regularly scheduled carburetor adjustments.

1. Remove the right side cover.



- (1) Throttle stop screw (थ्रॉटल स्टॉप स्कू)
(A) Increase (बढ़ाएँ)
(B) Decrease (घटाएँ)

2. Warm up the engine, shift to neutral and place the vehicle on its center stand.
3. Connect a tachometer to the engine.
4. Adjust idle speed with the throttle stop screw (1).

Idle speed (In neutral):

1400±100 min⁻¹(rpm)

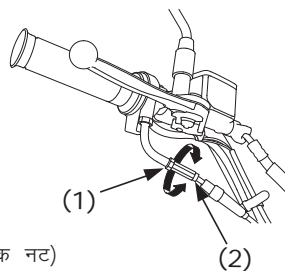
THROTTLE OPERATION

Refer to the safety Precautions on page 40.

1. Check for smooth rotation of the throttle grip from the fully open to the fully closed position at both full steering positions.
2. Measure the throttle grip free play at the throttle grip flange.

The standard free play should be:
2-6 mm (0.08-0.24 in)

To adjust the freeplay, loosen the lock nut (1) and turn the adjuster (2).



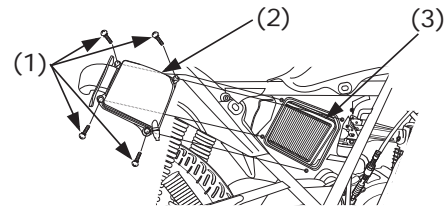
- (1) Lock nut (लॉक नट)
(2) Adjuster (एडजस्टर)

AIR CLEANER

Refer to the Safety Precautions on page 42.

The air cleaner element should be replaced at regular intervals (Ref. page 42). Replace more frequently when riding in unusually wet or dusty areas.

1. Remove the right side cover .
2. Remove the screws (1) and air cleaner cover (2).



- (1) Screws (स्कूज़)
(2) Air cleaner cover (एयर क्लीनर कवर)
(3) Air cleaner element (एयर क्लीनर एलीमेंट)
3. Take out the air cleaner element (3) and replace.

4. Viscous type air filters should be replaced regularly. Do not reuse it by cleaning.
5. If the filter element is cleaned using pressured air or any solvent, viscous oil will be lost and as the base element is coarse paper, dust may enter along with air which will damage the engine.
6. Replace the air cleaner element if it is excessively dirty, torn or damaged. Use Honda genuine air cleaner element specified for your model. Using the wrong Honda air cleaner element or a non-Honda air cleaner element which is not of equivalent quality may cause premature engine wear or performance problem.
7. Install the removed parts in the reverse order of removal.

CAUTION

Do not use air, oil, water for cleaning of air cleaner element. Replacement should be done at regular intervals.



DRIVE CHAIN

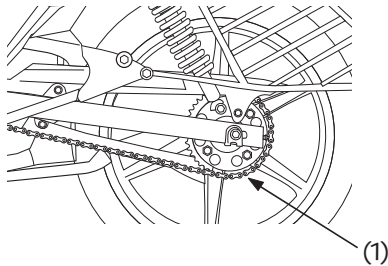
Refer to the safety precautions on page 40.

The service life of the drive chain is dependent upon proper lubrication and adjustment. Poor maintenance can cause premature wear or damage to the drive chain and sprockets.

The drive chain should be checked and lubricated as part of the pre-ride inspection (page 55). Under severe usage, or when the vehicle is ridden in unusually dusty or muddy areas, more frequent maintenance will be necessary.

Inspection:

1. Turn the engine off, place the vehicle on its center stand, and shift the transmission into neutral.
2. Move the chain (1) up and down with your finger. Drive chain slack should be adjusted approximately to allow the following vertical movement by hand:
15-25 mm (0.59-0.98 in)



(1) Drive chain (झाड़व चेन)

3. Rotate the rear wheel slightly and then stop to check the drive chain slackness again. Repeat this procedure several times. Drive chain slack should remain constant. If the chain is slack only in certain sections, some links are kinked and binding, kinking can be eliminated by lubrication.
4. Rotate the rear wheel slowly and inspect the drive chain and sprockets for any of the following conditions :

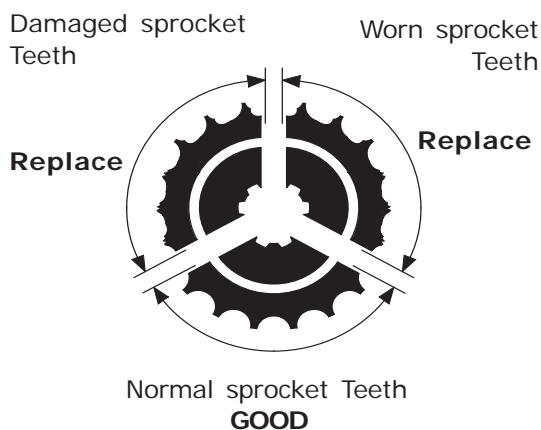
Drive Chain

- Damage Rollers
- Loose pins
- Dry or Rusted Links
- Excessive Wear
- Improper Adjustment

Sprockets

- Excessively Worn Teeth
- Broken or Damaged Teeth

5. Inspect the sprocket teeth for possible wear or damage. Replace if necessary.



If the drive chain or sprockets are excessively worn or damaged, they should be replaced. Never use a new chain with worn sprockets; rapid chain wear will result.

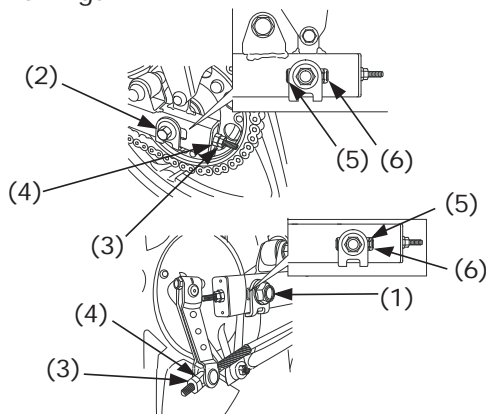
Adjustment:

Drive chain slack should be checked and adjusted, if necessary, every 1,000 km (600 miles). When operated at sustained high speeds or under conditions of frequent rapid acceleration, the chain may require more frequent adjustment.

If the drive chain requires adjustment, the procedure is as follows.

1. Place the vehicle on its center stand with the transmission in neutral and the ignition switch off.
2. Loosen the rear axle nut (1) by holding rear axle shaft on other side with spanner.
3. Loosen the drive chain lock nuts (3).
4. Turn both adjusting nuts (4) an equal number of turns until the correct drive chain slack is obtained. Turn the adjusting nuts clockwise to tighten the chain, or counterclockwise to provide more slack.

Align the chain adjuster index marks (5) with the rear edge (6) of the adjusting slot on both sides of the swingarm.



- (1) Rear axle nut (रियर एक्सल नट)
- (2) Rear axle shaft (रियर एक्सल शाफ्ट)
- (3) Drive chain lock nuts (ड्राइव चेन लॉक नट्स)
- (4) Drive chain adjusting nuts (ड्राइव चेन एडजस्टिंग नट्स)
- (5) Index marks (इंडैक्स मार्क्स)
- (6) Rear edge of adjusting slot (एडजस्टिंग स्लॉट का पिछला किनारा)

If the drive chain slack is excessive when the rear axle is moved to the furthest limit of adjustment, the drive chain is worn and must be replaced.

5. Tighten the rear axle nut to:
54 N.m (5.5 kgf.m, 40lb.ft)

If a torque wrench is not used for this installation, see your Honda dealer as soon as possible to verify proper assembly.

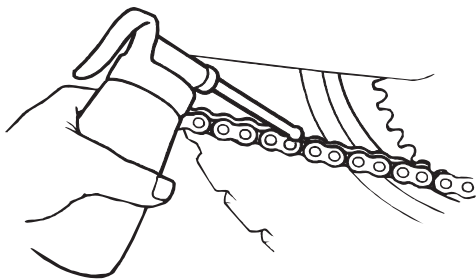
6. Tighten the adjusting nuts lightly, then tighten the lock nuts by holding the adjusting nuts with a spanner.
7. Recheck drive chain slack.
8. Rear brake pedal freeplay is affected when repositioning the rear wheel to adjust drive chain slack. Check rear brake pedal free play and adjust as necessary (page 15).

Lubrication

Lubricate every 1,000 km (600 miles) or sooner if chain appears dry.

To clean and lubricate the chain visit your nearest Honda Dealer/Service Center.

R 428HBS-118



NOTICE

Improper maintenance of chain can lead to premature wear of sprockets and chain drive.

Removal and cleaning:

When the drive chain becomes dirty, it should be removed and cleaned prior to lubrication.

1. With the engine off, and carefully remove the master link retaining clip (1) with a pair of pliers. Do not bend or twist the clip. Remove the master link. Remove the drive chain from the vehicle.
2. Clean the drive chain in high flash-point solvent and allow it to dry. Inspect the drive chain for possible wear or damaged rollers, loose fitting links or otherwise appears unserviceable.
Never use petrol or low flash point solvents for cleaning the drive chain. A fire or explosion could result.
3. Inspect the sprocket teeth for possible wear or damage. Replace if necessary.
Never use a new drive chain on badly worn sprockets. Both chain and

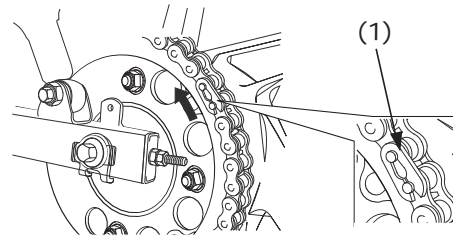
sprockets must be in good condition, or the new replacement chain or sprocket will wear rapidly.

4. Lubricate the drive chain (page 58).
5. Pass the chain over the sprockets and join the ends of the chain with the master link. For ease of assembly, hold the chain ends against adjacent rear sprocket teeth while inserting the master link.

The masterlink is the most critical part affecting the security of the drive chain. Master links are reusable, if they remain in excellent condition, but it is recommended that a new master link retaining clip be installed whenever the drive chain is reassembled.

Install the master link retaining clip so that the closed end of the clip will face the direction of forward wheel rotation.

6. Adjust the drive chain (page 56) and rear brake pedal free play (page 15).



(1) Retaining Clip (रिटेनिंग क्लिप)

FRONT AND REAR SUSPENSION INSPECTION

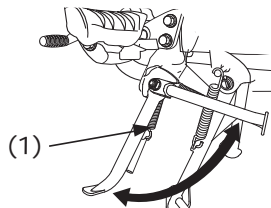
Refer to the safety precautions on page 40.

1. Check the front fork assembly by locking the front brake and pumping the fork up and down vigorously. Suspension action should be smooth and there must be no oil leakage.

2. Swingarm bearings should be checked by pushing hard against the side of the rear wheel while the motorcycle is on the center stand. Freeplay indicates worn bearings.
3. Carefully inspect all front and rear suspension fasteners for tightness.

SIDE STAND

Refer to the safety precautions on page 40. Check the side stand spring (1) for damage and loss of tension, and the side stand assembly for freedom of movement.



(1) Side stand spring (साइड स्टैंड स्प्रिंग)

60

If the side stand is squeaky or stiff, clean the pivot area and lubricate the pivot bolt with clean engine oil.

WHEEL REMOVAL

Refer to the safety precautions on page 40.

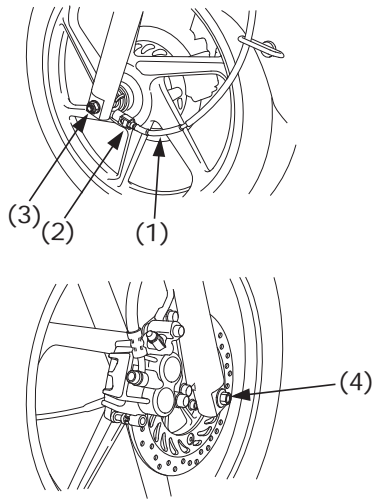
Front Wheel Removal

(Disc type)

1. Place the vehicle on its center stand.
2. Raise the front wheel off the ground by placing a support block under the engine.
3. Remove the speedometer cable (1) by pushing the tab (2).
4. Remove the front axle nut (3).
5. Remove the front axle shaft (4) and the wheel.

Do not depress the brake lever when the wheel is off the vehicle. The caliper piston will be forced out of the cylinder with subsequent loss of brake fluid. If this occurs, servicing of the brake system will be

necessary. See your Honda dealer for this service

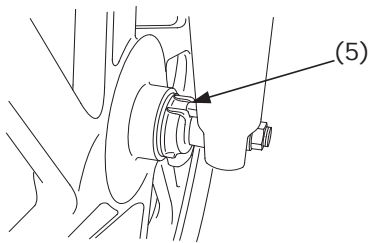


- (1) Speedometer cable (स्पीडोमीटर केबल)
- (2) Tab (टैब)
- (3) Front axle nut (फ्रंट एक्सल नट)
- (4) Front axle shaft (फ्रंट एक्सल शाफ्ट)

Installation Notes:

- Reverse the removal procedure.
- Position the wheel between the fork legs and insert the front axle from the right side, through the right fork leg and wheel hub.
- Make sure that the lug (5) on the fork leg is contacting the lugs on the speedometer gear box.
- Tighten the front axle nut to the specified torque.
Front axle nut torque:
54 N.m (55 kgf.m, 40 lbf.ft)
- After installing the wheel, apply the brake several times and then check if the wheel rotates freely. Recheck the wheel if the brake drags or if the wheel does not rotate freely.

If a torque wrench was not used for installation, see your Honda dealer as soon as possible to verify proper assembly. Improper assembly may lead to loss of braking capacity.



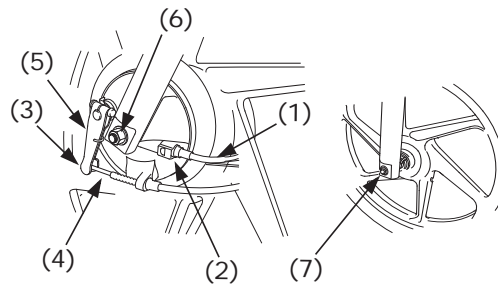
(5) Lug (लग)

Front wheel removal

(Drum type)

1. Raise the front wheel off the ground by placing a support block under the engine.
2. Remove the speedometer cable (1) by pushing the tab (2).

3. Remove the front brake adjusting nut (3) and remove the front brake cable (4) from the brake arm (5).
4. Remove the front axle nut (6).
5. Remove the front axle shaft (7) and the wheel.



- (1) Speedometer cable (स्पीडोमीटर केबल)
- (2) Tab (टैब)
- (3) Brake adjusting nut (ब्रेक एडजस्टिंग नट)
- (4) Front brake cable (फ्रंट ब्रेक केबल)
- (5) Brake arm (ब्रेक आर्म)
- (6) Front axle nut (फ्रंट एक्सल नट)
- (7) Front axle shaft (फ्रंट एक्सल शाफ्ट)

Installation Notes:

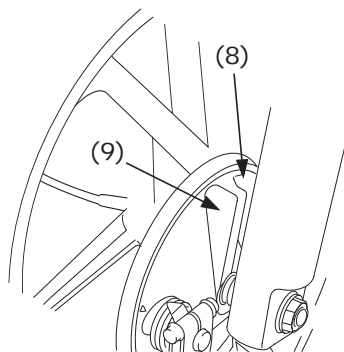
- Reverse the removal procedure.
- Position the wheel between the fork legs and insert the front axle from the right side, through the right fork leg and wheel hub.
- Tighten the front axle nut to specified torque.

Front axle nut torque:

54 N.m (5.5 kgf.m, 40 lbf.ft)

- Make sure that the tang (8) on the left front fork leg is located in the slot (9) in the brake panel.
- Adjust the brake (page 14-15).
- After installing the wheel, apply the brake several times and then check if the wheel rotates freely. Recheck the wheel if the brake drags or if the wheel does not rotate freely.

If a torque wrench was not used for installation, see your Honda dealer as soon as possible to verify proper assembly. Improper assembly may lead to loss of braking capacity.

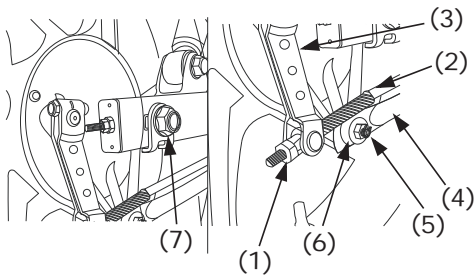


(8) Tang (टैंग)

(9) Slot (स्लॉट)

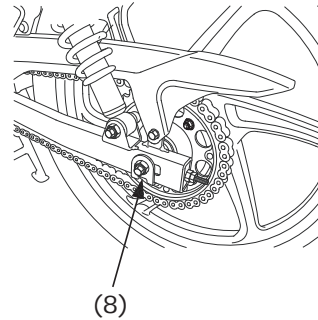
REAR WHEEL REMOVAL

1. Place the vehicle on its center stand.
2. Remove the rear brake adjusting nut (1). Disconnect the brake rod (2) from the brake arm (3).



- (1) Brake adjusting nut (ब्रेक एडजस्टिंग नट)
- (2) Brake rod (ब्रेक रोड)
- (3) Brake arm (ब्रेक आर्म)
- (4) Brake stopper arm (ब्रेक स्टापर आर्म)
- (5) Cotter pin (कॉटर पिन)
- (6) Stopper arm nut (स्टॉपर आर्म नट)
- (7) Rear axle nut (रियर एक्सल नट)

3. Disconnect the brake stopper arm (4) from the brake panel by removing the cotter pin (5), stopper arm nut (6), washer and rubber grommet.
4. Remove the rear axle nut (7).
5. Remove the rear axle shaft (8), side collar and rear wheel from the swingarm.



- (8) Rear axle shaft (रियर एक्सल शाफ्ट)

Installation Notes:

- Reverse the removal procedure.
- Tighten the rear axle nut and brake stopper arm nut to specified torque.
Rear axle nut torque:
54 N.m (5.5 kgf.m, 40 lbf.ft)
Brake stopper arm nut torque:
22 N.m (5.5 kgf.m, 40 lbf.ft)
- Adjust the brake (page 14-15) and drive chain (page 54).
- After installing the wheel, apply the brake several times and then check if the wheel rotates freely. Recheck the wheel if the brake drags or if the wheel does not rotate freely.
- Always replace used cotter pins with new ones.

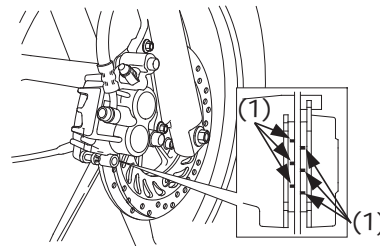
If a torque wrench was not used for installation, see your Honda dealer as soon as possible to verify proper assembly. Improper assembly may lead to loss of braking capacity.

Brake pad wear (Disc Type)

Refer to the safety precautions on page 40. Brake pad wear depends upon the severity of usage, the type of riding, and road condition. (Generally, the pads will wear faster on wet and dirty roads.)

Inspect the pads at each regular maintenance interval (page 42).

Check the grooves (1) in each pad. If either pad is worn to the bottom of the grooves, replace both pads as a set. See your Honda dealer for this service.



(1) Wear indication grooves (घिसावट संकेतक गूल्स)

Brake shoe wear

Refer to the safety precautions on page 40.

(Drum Type)

The front and rear brakes are equipped with brake wear indicators.

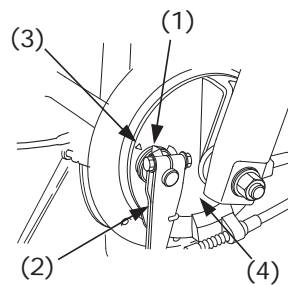
(Disc Type)

The rear brake is equipped with a brake wear indication.

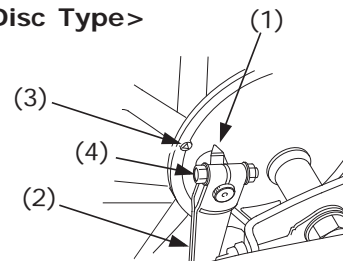
When the brake is applied, an arrow (1) attached to the brake arm (2) moves toward a reference mark (3) on the brake panel (4). If the arrow aligns with the reference mark on full application of the brake, the brake shoes must be replaced.

See your Honda dealer for this service.

<Drum Type>



<Disc Type>



- (1) Arrow (तीर का निशान) (2) Brake arm (ब्रेक आर्म)
- (3) Reference mark (संदर्भ मार्क)
- (4) Brake panel (ब्रेक पैनल)

BATTERY

Refer to the safety precautions on page 40.

It is not necessary to check the battery electrolyte level or add distilled water as the battery is a maintenance-free (sealed) type. If your battery seems weak and/or is leaking electrolyte (causing hard starting or other electrical troubles), contact your Honda dealer.

NOTICE

Your battery is maintenance-free type and can be permanently damaged if the cap strip is removed.



This symbol on the battery means that this product must not be treated as household waste.

NOTICE

Battery contains lead, which is a hazardous material and if improperly disposed, can be harmful to the environment and human health.

Always return the used maintenance-free battery to the Honda dealer.

⚠ WARNING

The battery gives off explosive hydrogen gas during normal operation.

A spark or flame can cause the battery to explode with enough force to kill or seriously hurt you.

Wear protective clothing and a face shield or have a skilled mechanic do the battery maintenance.

KEEP CHILDREN AWAY FROM THE BATTERY.

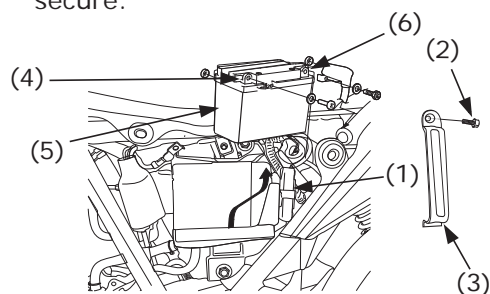
Removal

1. Make sure the ignition switch is OFF.
2. Remove the left side cover (page 29).
3. Remove the fuse holder (1).
4. Remove the bolt (2) and open the battery holder (3).
5. Disconnect the negative (-) terminal lead (4) from the battery, first.
6. Disconnect the positive (+) terminal lead (6).
7. Pull out the battery (5) from the battery box.

Installation

1. Reinstall in the reverse order of removal. Be sure to connect the positive (+) terminal first, then the negative (-) terminal.

2. Check all bolts and other fasteners are secure.



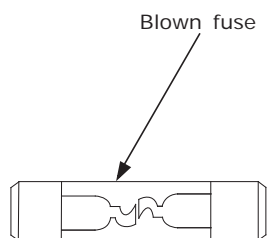
- (1) Fuse holder (फ्यूज होल्डर)
- (2) bolt (बोल्ड)
- (3) Battery holder (बैटरी होल्डर)
- (4) Negative (-) terminal lead (नैगेटिव(-)टर्मिनल लीड)
- (5) Battery (बैटरी)
- (6) Positive (+) terminal lead (पाजिटिव (+)टर्मिनल लीड)

FUSE REPLACEMENT

Refer to the Safety Precautions on page 40. When frequent fuse failure occurs, it usually indicates a short circuit or an overload in the electrical system. See your Honda dealer for repair.

NOTICE

Never use a fuse with a different rating from that specified. Serious consequence to the electrical system or a fire may result, causing a dangerous loss of lights or engine power.



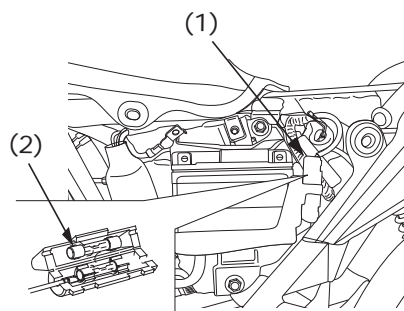
Fuse holder

The fuse holder located near the battery.

The specified fuse is:

10A-(Both kick and self)

1. Turn the ignition switch OFF before checking or replacing the fuses to prevent an accidental short-circuit.



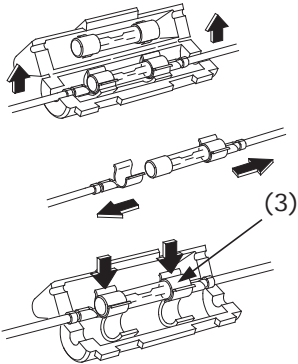
(1) Fuse holder (फ्यूज होल्डर)

(2) Spare fuse (स्पेयर फ्यूज)

2. Remove the left side cover (page 29).
3. Open the fuse holder (1).
4. Pull out the old fuse and install a new fuse. The spare fuse (2) is attached to the fuse holder.
5. Install the fuse holders and left side cover.

Removal

Pull



Installation

(4)

(3) Fuse (फ्यूज)

(4) Clips (क्लिप्स)

70

Do not try to open the clips, which prevent fuse from coming out;

you could bend them and cause poor contact with the new fuse. A loose fuse could cause damage to the electrical system and even start a fire.

If you do not have a replacement fuse with the proper rating for the circuit, install one with a lower rating.

NOTICE

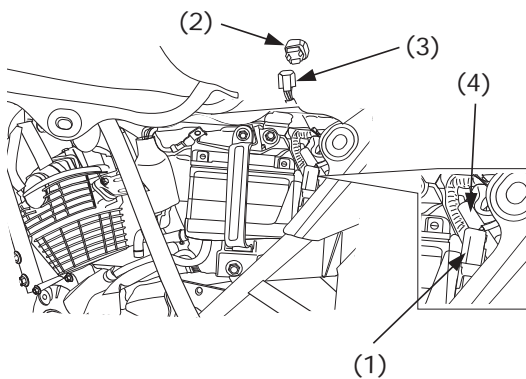
Replacing a fuse with one that has a higher rating greatly increases the chance of damage to the electrical system.

If the replacement fuse of the same rating burns out in a short time, there is probably a serious electrical problem on your vehicle. leave the blown fuse in that circuit and have your vehicle checked by your Honda dealer.

MAIN FUSE:

The main fuse (1) is located near the battery.
The specified fuse is:

15A (Both kick and self)



- (1) Main fuse (मेन फ्यूज)
- (2) Wire connector (वायर कनेक्टर)
- (3) Relay comp start (Self disc and Self drum)
(रिले कॉम्प स्टार्ट सेल्फ डिस्क और सेल्फ ड्रम)
- (4) Spare main fuse (स्पेयर मेन फ्यूज)

1. Turn the ignition switch OFF before checking or replacing the fuses to prevent an accident short-circuit.
2. Remove the left side cover (page 29).
3. Disconnect the wire connector (2) of the relay comp start (3).
4. Pull the fuse out. If the main fuse is blown, install a new main fuse.
The spare main fuse (4) is located under the relay comp start.
5. Reconnect the wire connector and install the left side cover.

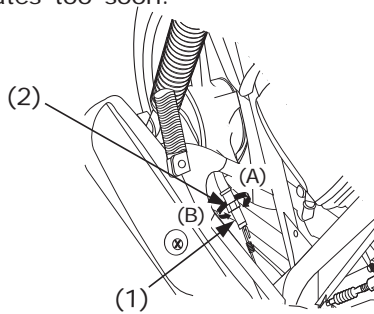
NOTICE

Fuse must be place in same place.

BRAKELIGHT SWITCH ADJUSTMENT

Refer to the safety Precautions on page 40. Check the operation of the brakelight switch (1) at the right side behind the engine from time to time.

Adjustment is done by turning the adjusting nut (2). Turn the nut in the clockwise direction (A) if the switch operates too late and in counterclockwise direction (B) if the switch operates too soon.



(1) Brakelight switch (ब्रेकलाइट स्विच)

(2) Adjusting nut (एडजस्टिंग नट)

72

BULB REPLACEMENT

Refer to the Safety Precautions on page 40.

The light bulb becomes very hot while the light is ON, and remain hot for a while after it is turned OFF. Be sure to let it cool down before servicing.

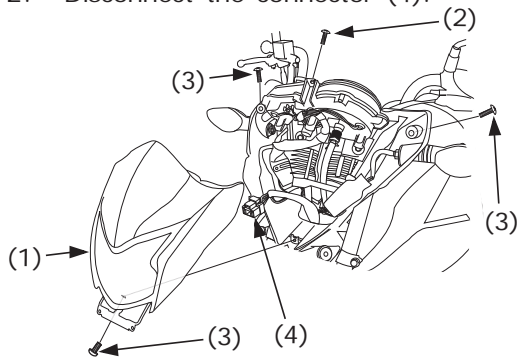
Do not put finger prints on the headlight bulb, as they may create hot spots on the bulb and cause it to break.

Wear clean gloves while replacing the bulb. If you touch the bulb with your bare hands, clean it with a cloth moistened with alcohol to prevent its early failure.

- Be sure to turn the ignition switch OFF when replacing the bulb.
- Do not use bulb other than those specified.
- After installing a new bulb, check that the light operates properly.

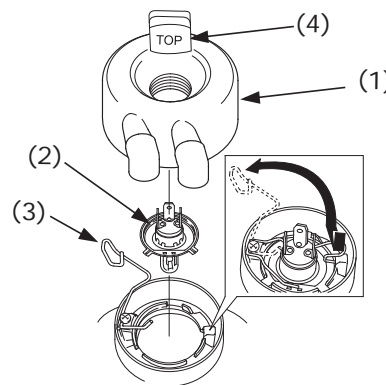
HEADLIGHT BULB

1. Remove the front cowl (1) by removing the screws (2), (3).
2. Disconnect the connector (4).



- (1) Front Cowl (फ्रंट काउल)
- (2) Screws (स्कूज)
- (3) Screw (स्कू)
- (4) Connector (कनक्टर)

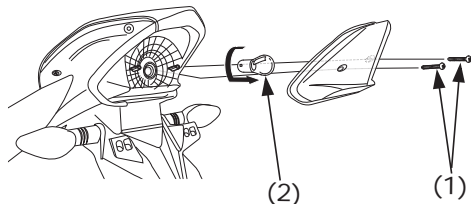
3. Remove the dust cover (1).
4. Remove the bulb (2) while pressing down the locking pin (3).
5. Install a new bulb in the reverse order of removal.
6. Install the dust cover (1) with its "TOP" mark (4) facing up.



- (1) Dust cover (डस्ट कवर) (2) Bulb (बल्ब)
- (3) Locking pin (लॉकिंग पिन) (4) "Top" mark ('टॉप' मार्क)

BRAKE/TAIL LIGHT BULB

1. Open the seat .
2. Remove the inspection cover plate by removing the screws (1).
3. Remove the taillight holder by turning counterclockwise.
4. Remove the bulb from bulb holder by pressing in & turning counterclockwise.
5. Install a new bulb in reverse order of removal.

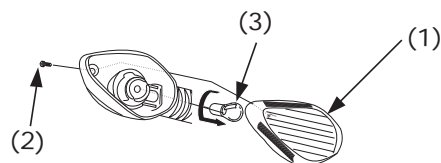


- (1) Screws (स्कूज़)
(2) Bulb (बल्ब)

74

FRONT/REAR TURN SIGNAL BULB

1. Remove the turn signal lens (1) by removing the screws (2).
2. Slightly press the bulb (3) and turn it counterclockwise.
3. Install a new bulb in the reverse order of removal.



- (1) Turn signal lens (टर्न सिगनल लैंस)
(2) Screw (स्कू)
(3) Bulb (बल्ब)

CLEANING

Clean your vehicle regularly to protect the surface finishes and inspect for damage, wear, and oil or brake fluid leakage.

Avoid cleaning products that are not specifically designed for vehicle or automobile surfaces.

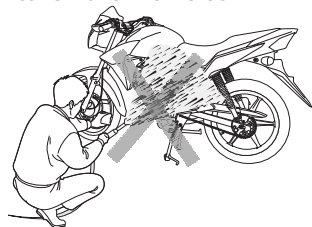
They may contain harsh detergents or chemical solvents that could damage the metal, paint, and plastic on your vehicle.

If your vehicle is still warm from recent operation, give the engine and exhaust system time to cool off.

We do not recommend the use of high pressure water spray.

NOTICE

High pressure water (or air) can damage certain parts of the vehicles.



Washing the vehicle

1. Rinse the vehicle thoroughly with cool water to remove loose dirt.
2. Clean the vehicle with a sponge or soft cloth using cool water.

Avoid directing water to muffler outlets and electrical parts.

3. Clean the plastic parts using a cloth or sponge dampened with a solution of mild detergent and water. Rub the soiled area gently rinsing it frequently with fresh water.

Take care to keep brake fluid or chemical solvents off the vehicle.

They will damage the plastic and painted surfaces.

Inside of the headlight lens may be clouded immediately after washing the vehicle. Moisture condensation inside the headlight lens will disappear gradually by lighting the headlight on high beam.

4. After cleaning, rinse the vehicle thoroughly with plenty of clean water. strong detergent residue can corrode alloy parts.
5. Dry the vehicle start the engine, and let it run for several minutes.
6. Test the brakes before riding the vehicle. Several applications may be necessary to restore normal braking performance.
7. Lubricate the drive chain immediately after washing and drying the vehicle.

Braking efficiency may be temporarily impaired immediately after washing the vehicle.

Anticipate longer stopping distance to avoid possible accident.

Finishing Touches

After washing your vehicle, consider using a commercially-available spray cleaner/polish or quality liquid or paste wax to finish the job. Use only a non-abrasive polish or wax made specifically for vehicle or automobiles. Apply the polish or wax according to the instructions on the container.

Removing Road Salt

The salt contained in the road surface freezing prevention medicine which a road was sprayed with in winter, and the seawater becomes the cause which rust occurs in.

Wash your vehicle by the following point after it runs through such a place.

1. Clean the vehicle using cool water (Ref. page 75).

Do not use warm water.

This worsens the effect of the salt.

2. Dry the vehicle and to protect surface of metal, apply wax on it.

STORAGE GUIDE

Extended storage, such as for winter, requires that you take certain steps to reduce the effects of deterioration from non-use of the vehicle. In addition necessary repairs should be made BEFORE storing the vehicle, otherwise, these repairs may be forgotten by the time the vehicle is removed from storage.

STORAGE

1. Change the engine oil.
2. Empty the fuel tank into an approved petrol container using a commercially available hand siphon or an equivalent method. Spray the inside of the tank with an aerosol rust-inhibiting oil.
Reinstall the fuel fill cap on the tank.

To assure proper performance after storage lasting more than one month, it is important to drain the carburetor.

WARNING

Petrol is highly flammable and explosive. You can be burned or seriously injured when handling fuel.

- Stop the engine and keep heat, sparks, and flame away.
 - Refuel only outdoors.
 - Wipe up spills immediately.
3. To prevent rusting in the cylinder, perform the following:
 - Remove the spark plug cap from the spark plug. Using tape or string, secure the cap to any convenient plastic body part so that it is positioned away from the spark plug.

- Remove the spark plug from the engine and store it in a safe place. Do not connect the spark plug to the spark plug cap.
 - Pour a tablespoon (15-20 cm³) of clean engine oil into the cylinder and cover the spark plug hole with a piece of cloth.
 - Crank the engine several times to distribute the oil.
 - Reinstall the spark plug and spark plug cap.
4. Remove the battery. Store in an area protected from freezing temperatures and direct sunlight. Check the battery voltage and slow charge the battery once a month.
 5. Wash and dry the vehicle. Wax all painted surfaces. Coat chrome with rust inhibiting oil.
 6. Lubricate the drive chain (page 58).
 7. Inflate the tyres to their recommended pressures. Place the vehicle on blocks to raise both tyres off the ground.

8. Cover the vehicle (don't use plastic or other coated materials) and store in an unheated area, free of dampness with a minimum of daily temperature variation. Do not store the vehicle in direct sunlight..

REMOVAL FROM STORAGE

1. Uncover and clean the vehicle.
Change the engine oil if more than 4 months have passed since the start of storage.
2. Check the battery voltage level and charge the battery as required. Install the battery.
3. Drain any excess aerosol rust-inhibiting oil from the fuel tank. Fill the fuel tank with fresh petrol.
4. Perform all Pre-ride Inspection checks (Ref. page 31)

Test ride the vehicle at low speeds in a safe riding area away from traffic.

SPECIFICATIONS

DIMENSIONS

Overall length		1972 mm (77.6 in)
Overall width	(Disc self)	742 mm
	(Self drum)	742 mm
	(Kick drum)	742 mm
Overall height		1075 mm (42.3 in)
Wheelbasse		1262 mm (49.6 in)

WEIGHT

Dry weight	(Kick drum)	102 kg (224 lbs)
	(Self drum)	102 kg (224 lbs)
	(Self Disc)	102 kg (224 lbs)

CAPACITIES

Engine Oil	After draining	0.85 L (0.9 US qt, 0.8 Imp qt)
	After disassembly	1.0 L (1.1 US qt, 0.7 Imp qt)
Fuel tank		8.0 L (2.11 US gal, 1.76 Imp gal)
Fuel reserve		1.6 L (0.42 US gal, 0.35 Imp gal)
Passenger capacity		Operator and one passenger
Maximum weight capacity		170 kg (375 lbs)

ENGINE

Bore and stroke	50.0 x 55.6 mm (1.97 x 2.19 in)
Compression ratio	9.0 : 1
Displacement	109.1 cm ³ (6.66 cu-in)
Spark Plug	
Standard	CPR7EA-9 (NGK)
Spark plug gap	0.8 - 0.9 mm (0.031 - 0.035 in)
Idle speed	1,400 ± 100 min ⁻¹ (rpm)
Valve clearance (Cold)	Intake 0.10mm (0.004 in) Exhaust 0.10mm (0.004 in)

CHASSIS AND SUSPENSION

Caster	26°
Trail	138 mm (5.4 in)
Tyre size, front	70/100-17M/C 40P
Tyre size, rear	80/100-17M/C 53P
Tyre type	Tubeless tyre

POWER TRANSMISSION

Primary reduction	3.722
Gear ratio, 1st	3.182
2nd	1.706
3rd	1.238
4th	0.917
Final reduction	3.000

ELECTRICAL

Battery	12V - 3Ah
Generator	0.14kW/5,000 min ⁻¹ (rpm)

LIGHT

Headlight	12V-35/35W
Brake/tail light	12V-5/21W
Turn signal light	Front 12V-10W
	Rear 12V-10W
Instrument lights	12V-1.7Wx2

Speedometer lamp	1.7W x 2
Neutral indicator	1.7W x 1
Turn signal indicator	1.7W x 1
High beam indicator	1.7W x 1

FUSE

Main fuse	15A (Both Kick and Self)
Other fuse	10A (Both Kick and Self)

CATALYTIC CONVERTER

This motorcycle is equipped with a catalytic converter.

The catalytic converter contains precious metals that serve as catalysts, promoting chemical reactions to convert the exhaust gases without affecting the metals.

The catalytic converter acts on HC, CO and NOx. A replacement unit must be an original Honda part or its equivalent.

The catalytic converter must operate at a high temperature for the chemical reactions to take place. It can set on fire any combustible materials that come near it. Park your vehicle away from high grasses, dry leaves or other flammables.

A defective catalytic converter contributes to air pollution, and can impair your engine's performance. Follow these guidelines to protect your motorcycle's catalytic converter.

- Always use unleaded petrol. Even a small amount of leaded petrol can contaminate the catalyst metals making the catalytic converter ineffective.
- Keep your engine tuned-up.
- Have your vehicle diagnosed and replaced if it is misfiring, backfiring, stalling or otherwise not running properly.