

 **HONDA**

# OWNER'S MANUAL

READ THIS MANUAL CAREFULLY,  
IT CONTAINS IMPORTANT SAFETY INFORMATION.



MINIMUM RECOMMENDED OPERATOR AGE: 12

**TRX90**  
**SPORTRAX 90**

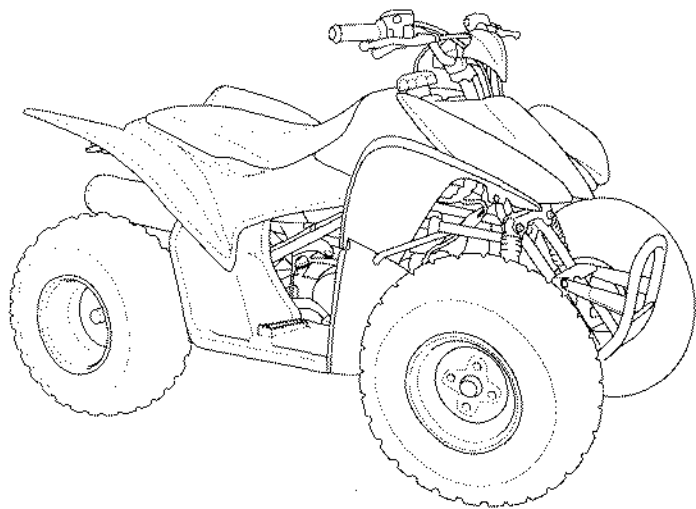
This manual should be considered a permanent part of the ATV and should remain with the ATV when it is resold.

This publication includes the latest production information available before printing. Honda Motor Co., Ltd. reserves the right to make changes at any time without notice and without incurring any obligation.

No part of this publication may be reproduced without written permission.

© Honda Motor Co., Ltd. 2005

**Honda TRX90  
SPORTRAX 90  
OWNER'S MANUAL**



# Introduction

---

Congratulations on choosing your Honda ATV.

When you own a Honda, you're part of a worldwide family of satisfied customers — people who appreciate Honda's reputation for building quality into every product.

Your Honda was designed as a recreational ATV for off-road use by one rider only.

Before riding, take time to get acquainted with your ATV and how it works. To protect your investment, we urge you to take responsibility for keeping your ATV well maintained. Scheduled service is a must, of course. But it's just as important to observe the break-in guidelines, and perform all pre-ride and other periodic checks detailed in this manual.

We also recommend that you read this owner's manual before you ride. It's full of facts, instructions, safety information, and helpful tips. To make it easy to use, the manual contains a detailed list of topics at the beginning of each section, and both an in-depth table of contents and an index at the back of the book.

As you read this manual, you will find information that is preceded by a **NOTICE** symbol. This information is intended to help you avoid damage to your Honda, other property, or the environment.

Whenever you ride, tread lightly. By staying on established trails and riding only in approved areas, you help protect the environment and keep off-road riding areas open for the future.

# Introduction

---

If you have any questions, or if you ever need special service or repairs, remember that your Honda dealer knows your ATV best and is dedicated to your complete satisfaction.

Happy riding!

# A Few Words About Safety

---


Your safety, and the safety of others, is very important. And operating this ATV safely is an important responsibility.

To help you make informed decisions about safety, we have provided operating procedures and other information on labels and in this manual. This information alerts you to potential hazards that could hurt you or others.

Of course, it is not practical or possible to warn you about all hazards associated with operating or maintaining an ATV. You must use your own good judgment.

You will find important safety information in a variety of forms, including:

**Safety Labels** — on the ATV.

**Safety Messages** — preceded by a safety alert symbol  and one of three signal words: **DANGER**, **WARNING**, or **CAUTION**.

# A Few Words About Safety

---

These signal words mean:

**▲ DANGER**

You **WILL** be **KILLED** or **SERIOUSLY HURT** if you don't follow instructions.

**▲ WARNING**

You **CAN** be **KILLED** or **SERIOUSLY HURT** if you don't follow instructions.

**▲ CAUTION**

You **CAN** be **HURT** if you don't follow instructions.

**Safety Headings** — such as Important Safety Reminders or Important Safety Precautions.

**Safety Section** — such as ATV Safety.

**Instructions** — how to use this ATV correctly and safely.

This entire manual is filled with important safety information — please read it carefully.

# Contents

---

These pages give an overview of the contents of your owner's manual. The first page of each section lists the topics covered in that section.

- ATV Safety** ..... 1  
Important safety information and a special message for parents you should know, plus a look at the safety-related labels on your ATV.
- Indicator & Controls**..... 13  
The location and function of indicators and controls on your ATV and operating instructions for various controls and features.
- Before Riding**..... 29  
The importance of wearing a helmet and other protective gear, how to make sure you and your ATV are ready to ride, and important information about loading.
- Basic Operation & Riding** ..... 43  
How to start and stop the engine, shift gears, and brake. Also, riding precautions.



# Contents

---

<b>Servicing Your Honda .....</b>	<b>79</b>
Why your ATV needs regular maintenance, what you need to know before servicing your Honda, an owner maintenance schedule, and instructions for specific maintenance and adjustment items.	
<b>Tips .....</b>	<b>151</b>
How to store and transport your ATV and how to be an environmentally-responsible rider.	
<b>Taking Care of the Unexpected .....</b>	<b>161</b>
What to do if you have a flat tyre, your engine won't start, etc.	
<b>Technical Information .....</b>	<b>177</b>
ID numbers, technical specifications, and other technical facts.	
<b>Table of Contents .....</b>	<b>186</b>
Sequential listing of topics in this owner's manual.	
<b>Index.....</b>	<b>192</b>

# ATV Safety

---

This section presents some of the most important information and recommendations to help you ride your ATV safely. Please take a few moments to read these pages. This section also includes information about the location of safety labels on your ATV.

Important Safety Information .....	2
Important Message to Parents .....	5
Safety Labels.....	9

# **Important Safety Information**

---

Your ATV can provide many years of service and pleasure – if you take responsibility for your own safety and understand the challenges you can meet while riding.

This ATV has been designed for younger riders. However, not all youngsters are physically or emotionally ready to ride. Therefore, before parents allow any youngster to ride this ATV, we urge them to carefully read the *Important Message to Parents* beginning on page 5 .

There is much that you can do to protect yourself when you ride. You'll find many helpful recommendations throughout this manual. The following are a few that we consider most important.

## **Follow the Age Recommendation**

The minimum recommended age for this ATV model is 12. Children under age 12 should never operate an ATV with engine size 70cc or greater.

## **Always Wear a Helmet**

It's a proven fact: helmets significantly reduce the number and severity of head injuries. So always wear an approved motorcycle helmet. We also recommend that you wear eye protection, sturdy boots, gloves, and other protective gear (page 30 ).

## **Never Carry a Passenger**

Your ATV is designed for one person only. There are no handholds, footrests, or seat for a second person – so never carry a passenger. A passenger could interfere with your ability to move around to maintain your balance and control of the ATV.

# **Important Safety Information**

---

## **Ride Off-Road Only**

Your ATV is designed and manufactured for off-road use only. The tyres are not made for pavement, and the ATV does not have turn signals and other features required for use on public roads. If you need to cross a paved or public road, get off and walk your ATV across.

## **Take Time to Learn & Practice**

Even if you have ridden other ATVs, take time to become familiar with how this ATV works and handles. Practice in a safe area until you build your skills and get accustomed to the ATV's size and weight.

## **Be Alert for Off-Road Hazards**

The terrain can present a variety of challenges when you ride off-road. Continually “read” the terrain for unexpected turns, drop-offs, rocks, ruts, and other hazards. Always keep your speed low enough to allow time to see and react to hazards.

# Important Safety Information

---

## **Ride within Your Limits**

Pushing limits is another major cause of ATV accidents. Never ride beyond your personal abilities or faster than conditions warrant.

Remember that alcohol, drugs, fatigue, and inattention can significantly reduce your ability to make good judgments and ride safely.

## **Don't Drink and Ride**

Alcohol and riding don't mix. Even one drink can reduce your ability to respond to changing conditions, and your reaction time gets worse with every additional drink. So don't drink and ride, and don't let your friends drink and ride either.

## **Keep Your Honda in Safe Condition**

It's important to keep your ATV properly maintained and in safe riding condition. Having a breakdown can be difficult, especially if you are stranded off-road far from your base. To help avoid problems, inspect your ATV before every ride and perform all recommended maintenance.

# Important Message to Parents

---

Your child's safety is very important to Honda. That's why we urge you to read this message before you let any young person ride this ATV. Off-road riding can be fun. But, as with riding a bicycle, bad judgment can result in injury, and we don't want that to happen! As a parent, you can help prevent accidents by making good decisions about if, when, and how your youngster rides this ATV.

## **Riding Readiness**

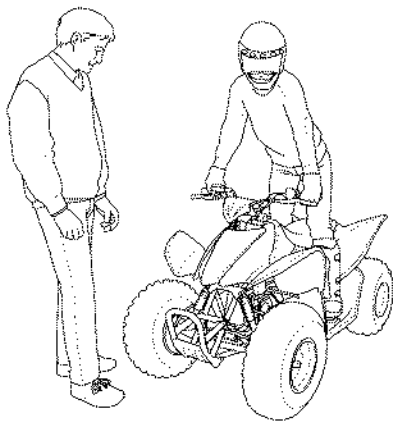
The first decision you'll need to make is whether your youngster is ready to ride. Riding readiness varies widely from one person to another, and while the minimum age recommended for this ATV is 12 years old, there are other factors that you should consider.

**PHYSICAL ABILITY** are important considerations. To help determine whether a youngster is big enough for this ATV, have them stand up on the footpegs and grasp the handgrips. While the youngster holds this position, check that they have at least three inches of clearance between the ATV seat and the youngster's "seat of the pants." A rider needs at least three inches of clearance so they can stand up for balance and comfort, and to shift their body forward, backward and from side to side.

# Important Message to Parents

---

Also make sure your youngster can comfortably reach and work all the controls. For example, can they turn the handlebars all the way to the right and left? Can they easily use their feet to work the brake pedal and gearshift lever? Can they operate the throttle and brake levers while they hold onto the handgrips? If not, the youngster is not physically ready to ride this ATV.



Before you let a youngster ride an ATV, decide whether they are physically, mentally and emotionally ready to ride.

**ATHLETIC ABILITY** is another requirement for riding an ATV. Generally speaking, your youngster should be good at riding a bicycle before they get on an ATV. Can your youngster judge speeds and distances while riding a bicycle and react with proper hand and foot actions? Anyone who does not have good coordination, balance, and agility is not ready for this ATV.

# Important Message to Parents

---

**MENTAL AND EMOTIONAL MATURITY** maturity are also necessary for safe riding. Does your youngster think through problems and come to logical solutions? On a bicycle, does your youngster obey safe riding rules? Be honest! Young people who take unnecessary risks, make bad judgments and don't obey rules are not ready to ride this ATV.

## Instruction and Supervision

If you decide that your youngster is ready to safely operate this ATV, make sure both of you first carefully read and understand the instructions and warnings in this owner's manual.

Also be sure that your youngster always wears a helmet and other appropriate riding equipment when operating or sitting on it (page 30).

Because good instruction is an important part of learning how to ride, we strongly recommend that young riders take the free hands-on training course Honda offers to all new ATV owners and immediate family members. We also recommend that you take or observe the course with your youngster. This will enable you to better understand proper riding techniques and safety messages.

Even if a youngster takes a certified training course, it's up to you to ensure your youngster's safety. Remember, learning to ride an ATV is a gradual step-by-step process. It takes time, patience and practice.

To help you regulate your youngster's rate of learning, your ATV was delivered with an adjustable throttle limiter and an air restrictor. We recommend that all beginning riders start off with the throttle limiter adjusted as delivered. The limiter may be adjusted to gradually increase maximum speed as the beginner becomes more familiar with operating the ATV. For adjustment and removal instructions, see pages 46 – 48 .



# **Important Message to Parents**

---

SUPERVISION is another important obligation of parents. Even after youngsters have become skilled off-road riders, make sure they always have adult supervision while riding. It also helps to regularly remind young riders to follow the instructions and warnings in this manual. And remember, it's the parents' responsibility to see that the ATV is properly maintained and kept in safe operating condition.

If you choose to lend your ATV, do make sure that any riders under 16 years old will have adult supervision. Your youngster should understand that the decision to lend the ATV is yours.

SAFE AND RESPONSIBLE RIDING must be an on-going commitment — by you and your youngster. When you both put safety first, you can enjoy more peace of mind, and your youngster can enjoy many hours of safe off-road riding.

## **In Summary**

Children differ in skills, physical abilities, and judgement. Some children may not be able to operate an ATV safely. Parents should supervise their child's use of the ATV at all times.

Parents should permit continued use only if they determine that the child has the ability to operate the ATV safely.

# Safety Labels

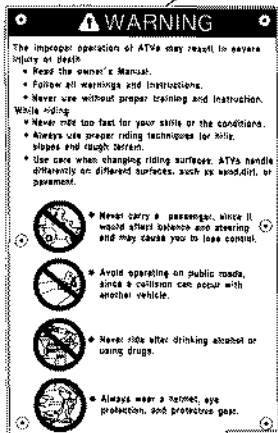
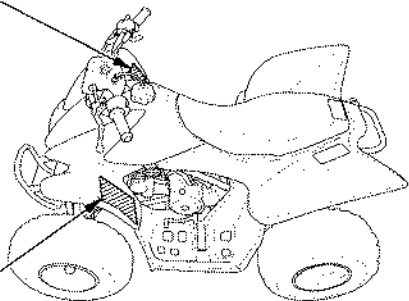
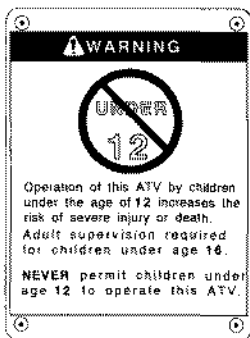
---

Your ATV comes with several labels containing important safety information. Anyone who rides the vehicle should read and understand this information before riding.

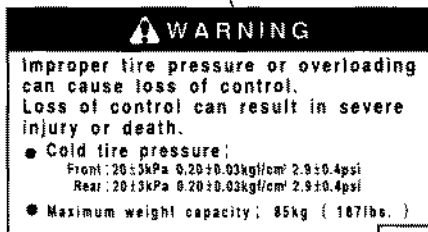
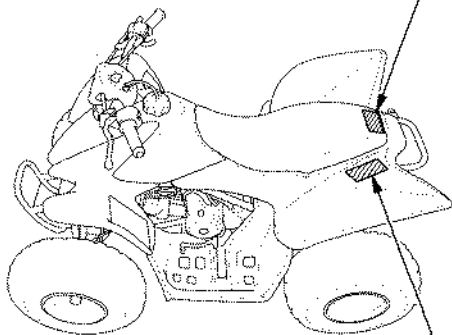
Parents of young riders should make sure their youngsters read and understand the label information before allowing them to ride.

The labels should be considered permanent parts of the vehicle. If a label comes off or becomes hard to read, contact your Honda dealer for replacements.

# Safety Labels



# Safety Labels



# Indicator & Controls

---

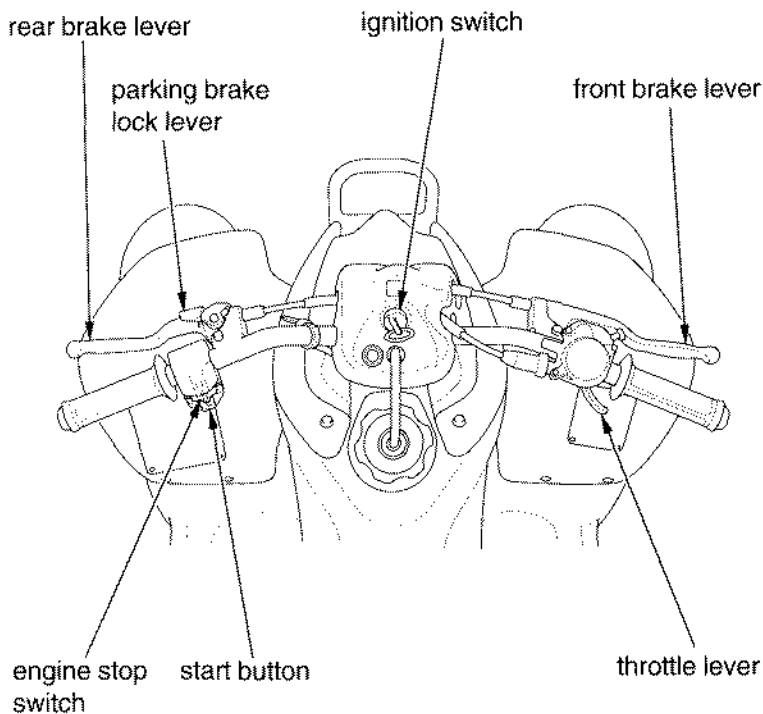
This section shows the location of all indicators and controls you would normally use before or while riding your ATV.

The items listed on this page are described in this section. Instructions for other components are presented in other sections of this manual where they will be most useful.

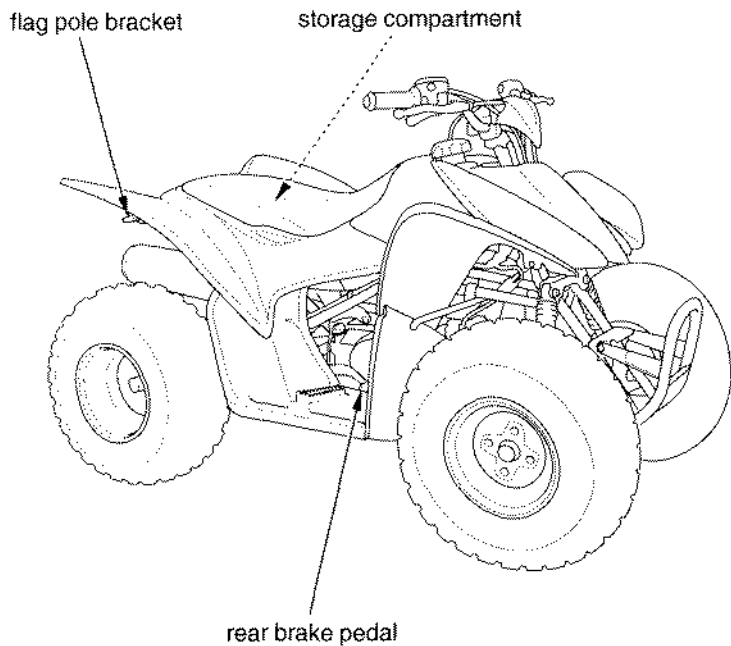
Operation Component Locations .....	14
Indicator .....	17
Neutral Indicator Lamp .....	17
Operating Controls .....	18
Fuel Valve .....	18
Choke Lever .....	19
Ignition Switch .....	20
Start Button .....	21
Engine Stop Switch .....	22
Throttle Lever .....	23
Front Brake Lever .....	24
Rear Brake Lever .....	24
Rear Brake Pedal .....	25
Parking Brake .....	26
Flag Pole Bracket .....	27

# Operation Component Locations

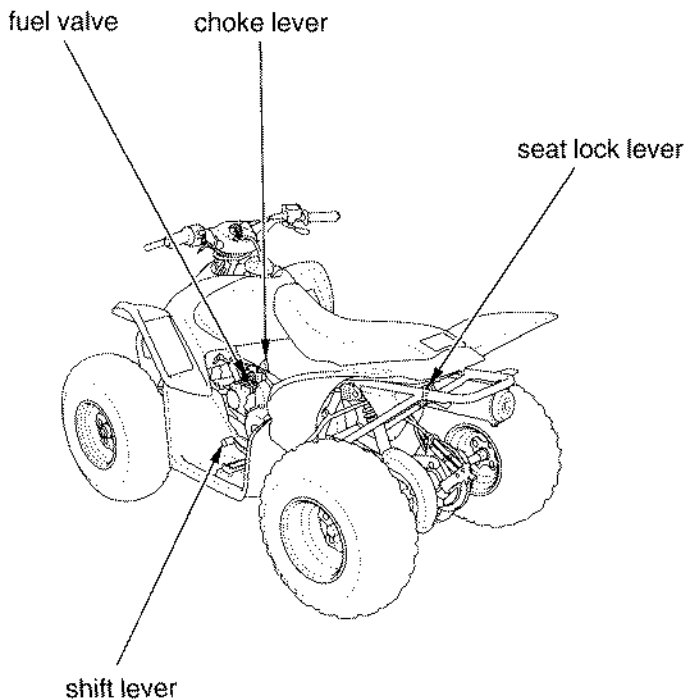
---



# Operation Component Locations



# Operation Component Locations





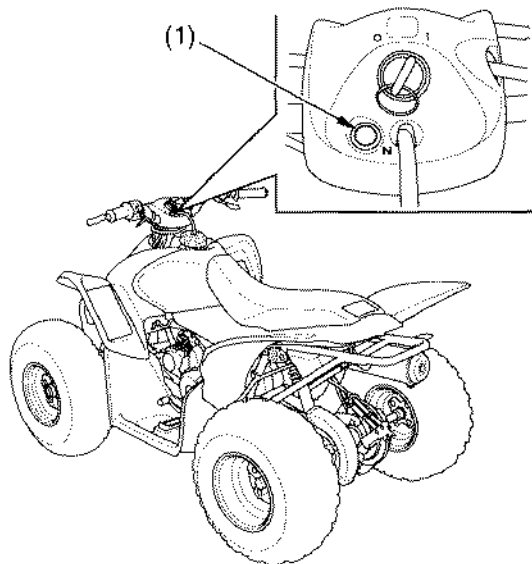
## Neutral Indicator Lamp

The neutral indicator lamp (1) is located on the headlight case.

The neutral indicator lamp will light when the transmission is in neutral and the ignition switch is ON ( I ).

If the indicator does not come on when it should, have your Honda dealer check for burned-out bulb or other problems.

FRONT



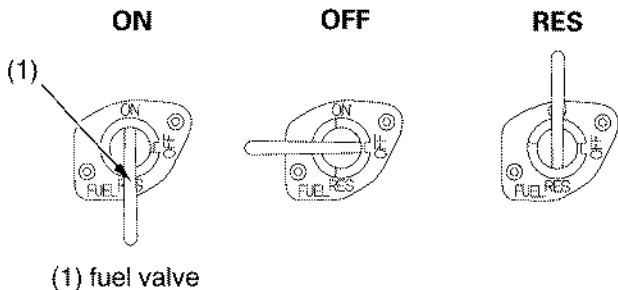
(1) neutral indicator lamp

# Operating Controls

---

## Fuel Valve

### LEFT SIDE



(1) fuel valve

The manual fuel valve is located on the left side under the fuel tank.

The three-way fuel valve is used to control the flow of fuel from the fuel tank to the carburetor.

ON — normal position for riding.

OFF — for parking, storing, or transportation.

RES — for extra fuel to get to a gas supply for refueling.

### Reserve Fuel

Remember to check that the fuel valve is in the ON position each time you refuel. If the fuel valve is left in the RES position, you may run out of fuel with no reserve.

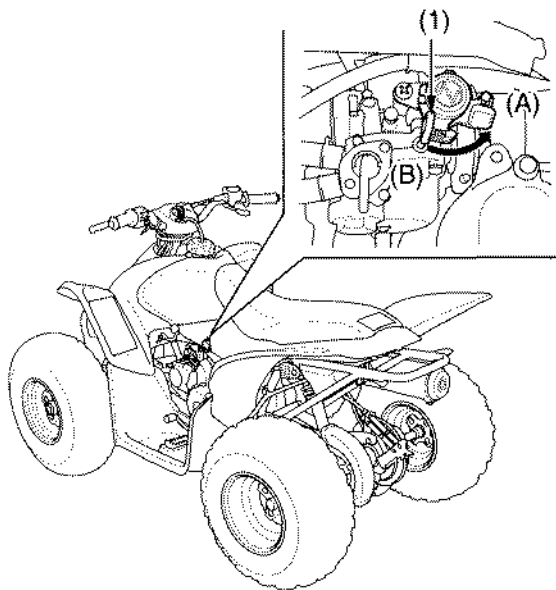
For complete information about fueling your ATV, see page 97 .

# Operating Controls

## Choke Lever

N

LEFT SIDE



(1) choke lever

(A) fully ON  
(B) fully OFF

The choke lever may be used when starting the engine. See page 56 .

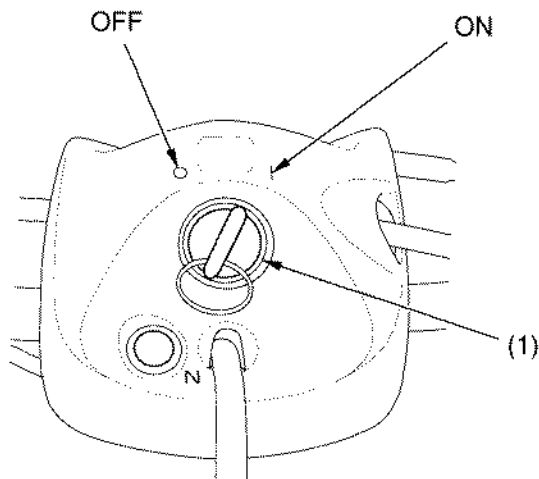
# Operating Controls

## Ignition Switch

The ignition switch ( 1 ) is used for starting and stopping the engine (page 55 ). Insert the key and turn it to the right for the ON ( I ) position.

Key Position	Function
ON ( I )	Electrical circuits on.
OFF ( O )	No electrical circuits function.

### CENTRE OF HANDLEBAR



(1) ignition switch

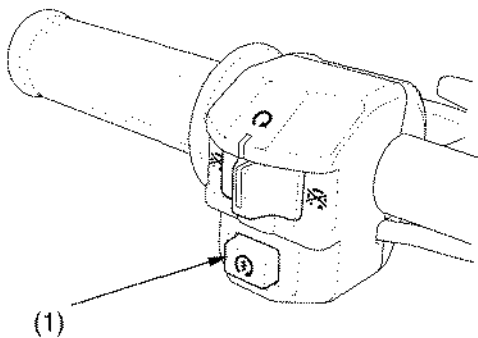
I ON  
O OFF

# Operating Controls

## Start Button




### LEFT HANDLEBAR



(1) start button

 START

The start button (1) is used for starting the engine. Pushing the button in starts the engine. See *Starting Procedure*, page 56.

When the start button is pushed, the starter motor will crank the engine. The starter motor will not operate if the engine stop switch is in the OFF () position when the start button is pushed.

# Operating Controls

---

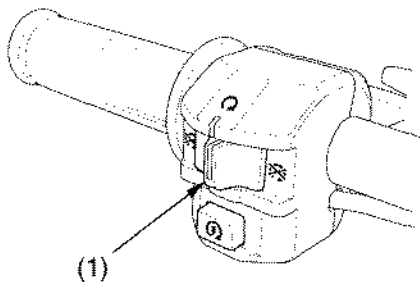
## Engine Stop Switch



The engine stop switch (1) is used to stop the engine in an emergency. To operate, slide the switch to either OFF (X) position. The switch must be in the RUN (O) position to start the engine, and it should normally remain in the RUN (O) position even when the engine is OFF.

If your ATV is stopped with the ignition switch ON (I) and the engine stop switch OFF (X), the battery will discharge. Turn the ignition switch OFF (O) to prevent battery discharge.

### LEFT HANDLEBAR



(1) engine stop switch

X OFF  
O RUN

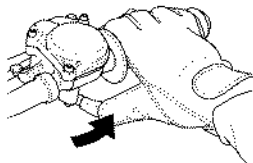
# Operating Controls

## Throttle Lever

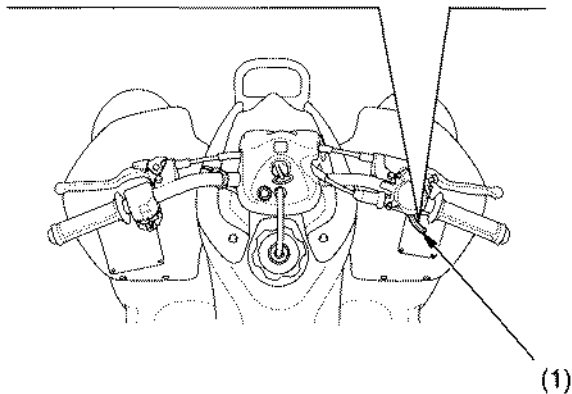
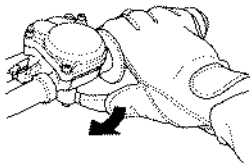
The throttle controls engine rpm (speed). To increase engine rpm, press the throttle lever (1) with your thumb. To reduce engine rpm, release pressure on the throttle lever. The throttle will automatically return to the closed position (engine idle) when you remove your thumb.

### RIGHT HANDLEBAR

OPEN



CLOSE



(1) throttle lever

# Operating Controls

---

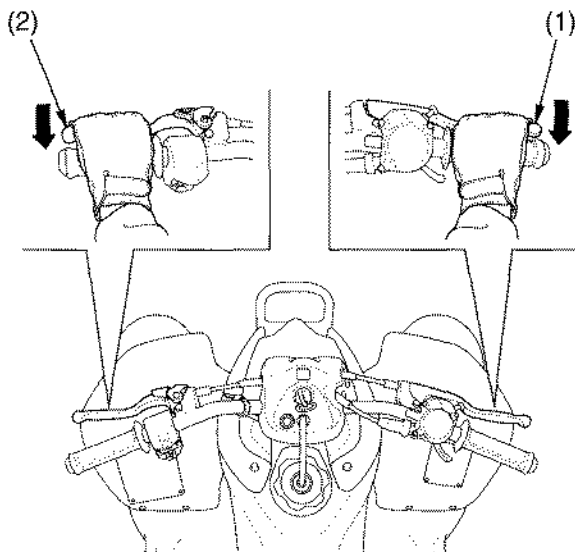
## Front Brake Lever

The front brake lever ( 1 ) is used to slow or stop your ATV. To operate, pull the lever. For information on braking techniques, see page 63 .

## Rear Brake Lever

The rear brake lever ( 2 ) is used to slow or stop your ATV. To operate, pull the lever. For information on braking techniques, see page 63 .

## LEFT & RIGHT HANDLEBAR



- (1) front brake lever
- (2) rear brake lever

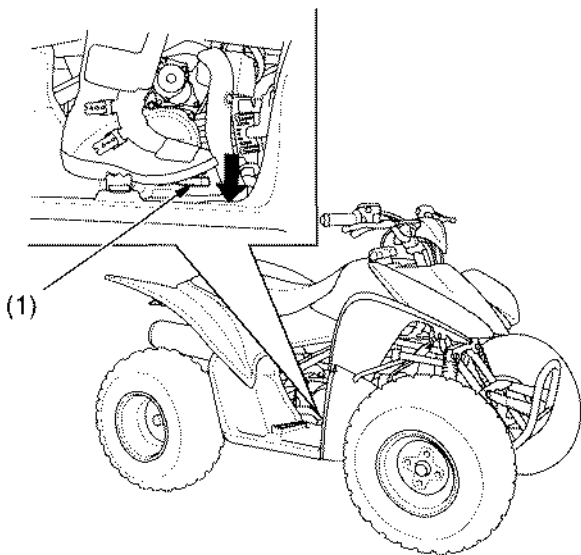


# Operating Controls

## Rear Brake Pedal

The rear brake pedal (1) is used to slow or stop your ATV. To operate, depress the pedal. For information on braking techniques, see page 63 .

RIGHT SIDE



(1) rear brake pedal

# Operating Controls

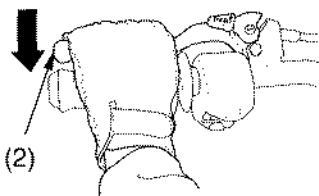
---

## Parking Brake

The lock lever ( 1 ) on the rear brake lever ( 2 ) allows it to be used as a parking brake.

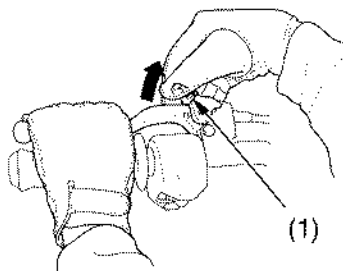
### LEFT HANDLEBAR

1. Squeeze the rear brake lever.



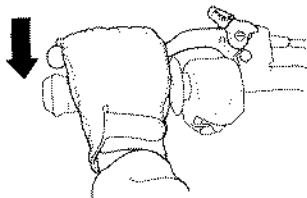
(2) rear brake lever

2. Lock it with the lock lever.



(1) lock lever

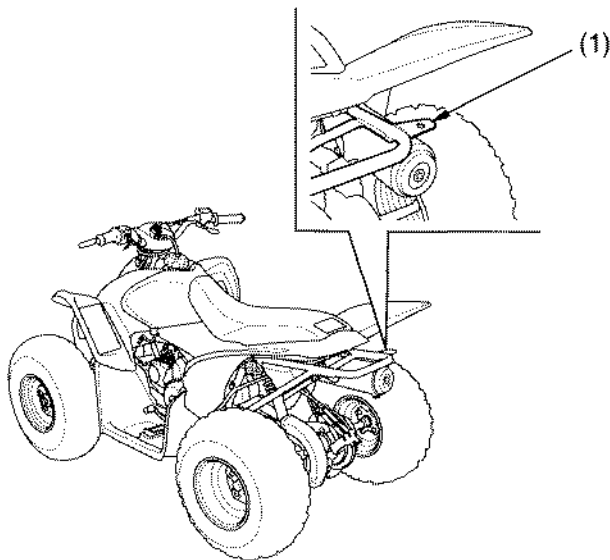
3. Unlock the parking brake by squeezing the rear brake lever until the lock lever releases.



# Operating Controls

## Flag Pole Bracket

RIGHT REAR



(1) flag pole bracket

Flag poles are optional equipment available from your Honda dealer. To mount a pole in the bracket (1), follow the instructions that come with the flag pole kit.

Flag poles are required in some riding areas. Check local regulations before riding.

# Before Riding

---

Before each ride, you need to make sure you and your Honda are both ready to ride. To help get you prepared, this section discusses how to evaluate your riding readiness, what items you should check on your ATV, and adjustments to make for your comfort, convenience, or safety. This section also includes important information about loading.

Are You Ready to Ride ? .....	30
Protective Apparel.....	30
Rider Training .....	32
Age Recommendation.....	33
No Passengers .....	33
No Alcohol or Drugs.....	34
Is Your ATV Ready to Ride ?.....	35
Pre-ride Inspection .....	36
Load Limits & Guidelines.....	38
Loading .....	38
Load Limits .....	39
Loading Guidelines .....	39
Accessories & Modifications.....	40
Accessories.....	40
Modifications .....	41

# Are You Ready to Ride?

---

Before you ride your ATV for the first time, we urge you to:

- Read this owner's manual and the labels on your ATV carefully.
- Make sure you understand all the safety messages.
- Know how to operate all the controls.

Before each ride, be sure:

- You feel well and are in good physical and mental condition.
- You are wearing an approved motorcycle helmet (with chin strap tightened securely), eye protection, and other protective clothing.
- You don't have any alcohol or drugs in your system.

## Protective Apparel

For your safety, we strongly recommend that you always wear an approved motorcycle helmet, eye protection, boots, gloves, long pants, and a long-sleeved shirt or jacket whenever you ride.

Although complete protection is not possible, wearing proper gear can reduce the chance of injury when you ride.

Following are suggestions to help you choose the proper gear.

### Helmets and Eye Protection

Your helmet is your most important piece of riding gear because it offers the best protection against head injuries. A helmet should fit your head comfortably and securely.

# Are You Ready to Ride?

---

An open-face helmet offers some protection, but a full-face helmet offers more. Always wear a face shield or goggles to protect your eyes and help your vision.

## **WARNING**

Operating this ATV without wearing an approved motorcycle helmet, eye protection, and protective clothing could increase your chances of severe injury or death in the event of an accident.

Always wear an approved motorcycle helmet that fits properly and wear eye protection (goggles or face shield), gloves, boots, long-sleeved shirt or jacket and long pants.

### Additional Riding Gear

In addition to a helmet and eye protection, we also recommend:

- Sturdy off-road motorcycle boots to help protect your feet, ankles, and lower legs.
- Off-road motorcycle gloves to help protect your hands.
- Riding pants with knee and hip pads, a riding jersey with padded elbows, and a chest/shoulder protector.

# Are You Ready to Ride?

---

## Rider Training

Developing your riding skills is an on-going process. Even if you have ridden other ATVs, take time to become familiar with how this ATV works and handles. Practice riding the ATV in a safe area to build your skills. Do not ride in rough terrain until you get accustomed to the ATV's controls, and feel comfortable with its size and weight.

### **WARNING**

Operating this ATV without proper instruction could increase your risk of an accident which could lead to serious injury or death.

Beginning and inexperienced operators should complete the certified training course offered by Honda. They should then regularly practice the skills learned in the course and the operating techniques described in the owner's manual.

# Are You Ready to Ride?

---

## Age Recommendation

The minimum recommended age for this ATV model is 12. For safety, never let children under 12 years old operate this vehicle. Children under 16 should be supervised by an adult.

### **⚠ WARNING**

A child using an ATV that is not recommended for their age could lose vehicle control while riding, resulting in severe injury or death.

A child under 12 should never operate this ATV.

## No Passengers

This ATV is designed as an operator-only vehicle. The long seat is designed to allow the rider to change body position, not for carrying a passenger. Never let a passenger ride on the seat or on the front or rear cargo racks.

### **⚠ WARNING**

Carrying a passenger on this ATV greatly reduces your ability to balance and control this ATV and could cause a crash and you or your passenger could be injured or killed.

Never carry a passenger on this ATV.



# Are You Ready to Ride?

---

## No Alcohol or Drugs

Alcohol, drugs and ATVs don't mix. Even a small amount of alcohol can impair your ability to operate an ATV safely. Likewise, drugs — even if prescribed by a physician — can be dangerous while operating an ATV. Consult your doctor to be sure it is safe to operate a vehicle after taking medication.

### **WARNING**

Operating this ATV after consuming alcohol or drugs can seriously affect your judgement, cause you to react more slowly, affect your balance and perception, and result in serious injury or death.

*Never consume alcohol or drugs before or while operating this ATV.*

# Is Your ATV Ready to Ride?

---

Before each ride, it's important to inspect your ATV and make sure any problem you find is corrected. A pre-ride inspection is a must, not only for safety, but because having a breakdown, or even a flat tyre, can be a major inconvenience.

If your ATV has overturned or been involved in a collision, do not ride the vehicle until it has been inspected by your Honda dealer. There may be damage or other problems you cannot see.

## **WARNING**

Improperly maintaining this ATV or failing to correct a problem before riding can cause a crash in which you can be seriously hurt or killed.

Always perform a pre-ride inspection before every ride and correct any problems.

### *Note to Parents:*

*If a youngster will be performing any of the following pre-ride inspection procedures, it's your responsibility to provide careful supervision and make sure they are performed safely.*

# Is Your ATV Ready to Ride?

---

## Pre-ride Inspection

Check the following items before you get on the ATV:

- |                                       |  |
|---------------------------------------|--|
| <i>Engine Oil</i>                     | Check the level and add oil if needed (page 100 ).<br>Check for leaks.   |
| <i>Fuel</i>                           | Check the level and add fuel (page 97 ) if needed. Also make sure the fuel fill cap is securely fastened.<br>Check for leaks.                  |
| <i>Tyres</i>                          | Use a gauge to check the air pressure. Adjust if needed. Also look for signs of damage or excessive wear (page 129 ).                          |
| <i>Drive Chain</i>                    | Check the condition and slack. Adjust and lubricate if needed. Also check the chain slider for wear and replace if needed (page 135 ).         |
| <i>Nuts &amp; Bolts</i>               | Check the wheels to see that the axle nuts are tightened. Use a wrench to make sure all accessible nuts, bolts, and fasteners are tight.       |
| <i>Underbody &amp; Exhaust System</i> | Check for, and remove, any dirt, vegetation or other debris that could be a fire hazard or interfere with the proper operation of the vehicle. |

# Is Your ATV Ready to Ride?

---

*Leaks, Loose Parts* Walk around your ATV and look for anything that appears unusual, such as a leak or loose cable.

*Cable* Check the cable housings for wear. Check the fittings for looseness. Replace or tighten as needed.

Check these items after you get on the ATV:

*Throttle* Check the freeplay and adjust if needed. Press the throttle to make sure it moves smoothly without sticking, and snaps shut automatically when it is released, in all steering positions (page 109 ).

*Brakes* Squeeze the front and rear brake levers and step on the rear brake pedal to check that the controls operate normally. Check for proper freeplay (pages 119, 121, 122 ).

*Engine Stop Switch* Check for proper function (page 21 ).

*Steering* Check that the wheels turn properly as you steer the handlebar. Move the handlebar right and left and check that there is no excessive backlash.

Remember, be sure to take care of any problem you find, or have your Honda dealer correct it before you ride.

# Load Limits & Guidelines

---

Your Honda was designed as a rider-only ATV. It was not designed to carry a passenger or cargo. A passenger or cargo could interfere with your ability to move around to maintain your balance and control of the ATV.

In addition, exceeding the weight limits or carrying an unbalanced load can seriously affect your ATV's handling, braking and stability. Adding accessories or making modifications that change this ATV's design and performance can also make it unsafe. Also, the weight of any accessories will reduce the maximum load the ATV can carry.

More specific information on load limits, accessories, and modifications follows.

## Loading

How much weight you put on your ATV, and how you load it, are important to your safety. If you decide to carry cargo, you should be aware of the following information.

### **▲ WARNING**

Overloading, improper loading, or carrying a passenger can cause a crash and you can be seriously hurt or killed.

Follow all load limits and other loading guidelines in this manual.

# Load Limits & Guidelines

---

## Load Limits

Following are the load limits for your ATV:

The following load limits apply to standard equipment only. Modifying your ATV, using non-standard equipment, or riding on terrain that is not flat and smooth could further reduce these limits.

maximum weight capacity      85 kg (187 lbs)  
(includes the weight of the rider, and all accessories.)

The weight of added accessories will reduce the maximum cargo weight you can carry.

## Loading Guidelines

As discussed on page 38, we recommend that you do not carry any cargo on this ATV. However, if you decide to carry cargo, ride at reduced speeds and follow these common-sense guidelines.

- Check that the tyres are properly inflated.
- Never ride with a passenger. The ATV is not designed to carry a passenger.
- Make sure all cargo is secured before riding.
- Balance cargo weight evenly on both sides.
- Never exceed the maximum weight limit.

# Accessories & Modifications

---

Modifying your ATV or using non-Honda accessories can make your ATV unsafe.

Before you consider making any modifications or adding an accessory, be sure to read the following information.

## **▲ WARNING**

Improper accessories or modifications can cause a crash in which you can be seriously hurt or killed.

Follow all instructions in this owner's manual regarding accessories and modifications.

### **Accessories**

We strongly recommend that you use only genuine Honda accessories that have been specifically designed and tested for your ATV. Because Honda cannot test all other accessories, you must be personally responsible for proper selection, installation, and use of non-Honda accessories.

Check with your Honda dealer for assistance and always follow these guidelines:

- Make sure the accessory does not reduce ground clearance, limit suspension travel or steering travel, or interfere with operating any controls.
- Make sure the accessory does not interfere with your ability to shift body position on the seat or operate hand and foot controls.
- Do not add any electrical equipment that will exceed the vehicle's electrical system capacity (page 182 ). A blown fuse can cause a loss of lights or engine power (page 170 ).

# Accessories & Modifications

---

## Modifications

We strongly advise you not to remove any original equipment or modify your ATV in any way that would change its design or operation. Such changes could seriously impair your ATV's handling, stability, and braking, making it unsafe to ride.

Removing or modifying your exhaust system, emission control system, or other equipment can also make your ATV illegal.



# Basic Operation & Riding

---

This section gives basic riding instructions, including how to start and stop your engine, and how to use the throttle and brakes. It also provides important information on riding with cargo.

To protect your new engine and enjoy optimum performance and service life, refer to Break-in Guidelines (page 173).

For information about carburetor adjustment for riding at high altitude, see page 174.

Safe Riding Precautions .....	45
Speed Restrictors for New Riders .....	45
Off-Road Use Only .....	49
Keeps Hands and Feet on Controls .....	50
Control Speed .....	51
Use Care on Unfamiliar or Rough Terrain .....	52
Do Not Perform Stunts .....	54
Ride Only When Visibility Is Good .....	54
Starting & Stopping the Engine .....	55
Preparation .....	55
Starting Procedure .....	56
Flooded Engine .....	59
How to Stop the Engine .....	59
Shifting Gears .....	60

(cont'd)

# Basic Operation & Riding

---

Braking.....	63
Riding Your ATV .....	66
Making Turns.....	66
Skidding or Sliding .....	68
Riding Up Hills .....	69
Riding Down Hills .....	73
Crossing or Turning on Hills or Slopes.....	74
Riding Over Obstacles .....	76
Riding Through Water .....	77
Parking .....	78

# Safe Riding Precautions

---

Before riding your ATV for the first time, please review the *ATV Safety* section beginning on page 1, and the *Before Riding* section beginning on page 29.

Even if you have ridden other ATVs, take time to become familiar with how this ATV works and handles. Practice in a safe area until you build your skills and get accustomed to the ATV's size and weight.

Your ATV is not equipped with lights. Do not ride at night.

## Speed Restrictors for New Riders

To limit top speed to about one half of normal in every gear, your ATV has an adjustable throttle limiter and air intake restrictor.

The screw and locknut in the lower throttle housing can be adjusted to limit throttle lever movement. The air intake restrictor is used to restrict air flow to the engine which reduces engine power.

# Safe Riding Precautions

---

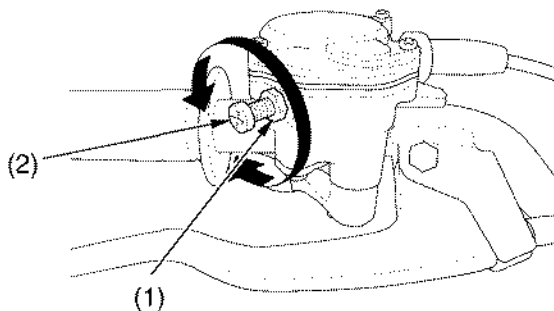
Practice with the throttle limiter adjusted as delivered until you are confident in shifting gears, braking, and making turns.

## Throttle Limiter Adjustment

1. Loosen the lock nut (1).
2. Turn the throttle limiter screw (2) clockwise to reduce throttle lever movement or counterclockwise to increase throttle lever movement.
3. Hold the screw in place and tighten the lock nut.

For higher top speed, removing the air intake restrictor is required. Adjusting for increased throttle lever movement without removing the air intake restrictor will cause the engine to run roughly at higher speeds.

## RIGHT HANDLEBAR



(1) lock nut

(2) throttle limiter screw

# Safe Riding Precautions

---

## Full Throttle Operation

1. Remove the air intake restrictor (page 48).
2. Loosen the lock nut ( 1 ) and remove the throttle limiter screw ( 2 ).
3. Install the standard screw supplied with your ATV (in the owner's manual bag) to prevent moisture or debris (dirt, sand, pebbles, sticks, etc.) from entering the throttle housing.  
Moisture and debris may interfere with proper throttle operation.

Store the throttle limiter screw and air intake restrictor in the owner's manual bag so you can install them whenever you want to reduce the top speed.

# Safe Riding Precautions

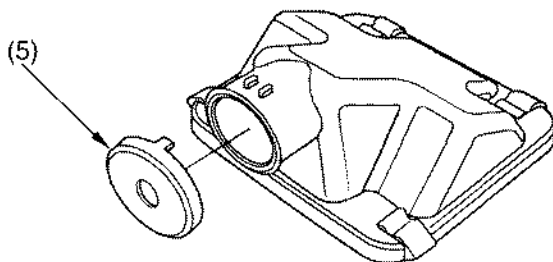
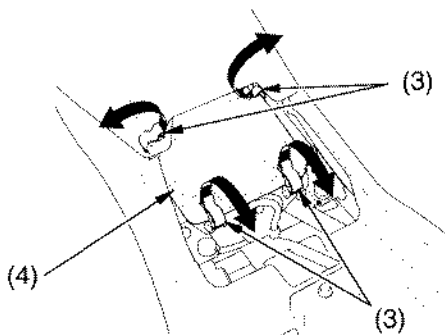
---

## Air Intake Restrictor Removal

1. Remove the seat (page 95 ).
2. Unlatch the four retainer clips (3).
3. Remove the air cleaner housing cover (4).
4. Remove the air intake restrictor (5).

Reinstall in the reverse order of removal.

### UNDER SEAT



(3) retainer clips  
(4) air cleaner housing cover

(5) air intake restrictor

# Safe Riding Precautions

---

## Off-Road Use Only

Your ATV and its tyres are designed and manufactured for off-road use only, not for pavement. Riding on pavement can affect handling and control. You should not ride your ATV on pavement.

### **⚠ WARNING**

Operating this ATV on paved surfaces may seriously affect handling and control of the ATV, and may cause the vehicle to go out of control.

Never operate the ATV on any paved surfaces, including sidewalks, driveways, parking lots and streets.

When riding off-road, also remember to always obey local off-road riding laws and regulations. Obtain permission to ride on private property. Avoid posted areas and obey “no trespassing” signs.

# Safe Riding Precautions

---

You should never ride your ATV on public streets, roads or highways, even if they are not paved. Drivers of street vehicles may have difficulty seeing and avoiding you, which could lead to a collision. In many states it is illegal to operate ATVs on public streets, roads and highways.

## **WARNING**

Operating this ATV on public streets, roads or highways could cause you to collide with another vehicle.

Never operate this ATV on any public street, road or highway, even a dirt or gravel one.

## **Keep Hands and Feet on Controls**

Always keep both hands on the handlebars and both feet on the footpegs when riding your ATV. This is important to maintain your balance and to control the vehicle. Removing even one hand from the handlebars or one foot from the footpegs can reduce your ability to control the ATV or could cause you to lose your balance and fall off the ATV.

## **WARNING**

Removing hands from handlebars or feet from footpegs during operation can reduce your ability to control the ATV or could cause you to lose your balance and fall off of the ATV.

Always keep both hands on the handlebars and both feet on the footpegs of your ATV during operation.



# Safe Riding Precautions

---

## Control Speed

Riding at excessive speed increases the chance of an accident. In choosing a proper speed, you need to consider the capability of your vehicle, the terrain, visibility and other operating conditions, plus your own skills and experience.

### **WARNING**

Operating this ATV at excessive speeds increases your chances of losing control of the ATV, which can result in an accident.

Always go at a speed that is proper for your vehicle, the terrain, visibility and other operating conditions, and your experience.

# Safe Riding Precautions

---

## Use Care on Unfamiliar or Rough Terrain

Before riding in a new area, always check the terrain thoroughly. Don't ride fast on unfamiliar terrain or when visibility is limited. (It's sometimes difficult to see obstructions like hidden rocks, bumps, or holes in time to react.)

### **⚠ WARNING**

Failure to use extra care when operating this ATV on unfamiliar terrain could result in the ATV overturning or going out of control.

Go slowly and be extra careful when operating on unfamiliar terrain. Always be alert to changing terrain conditions when operating the ATV.

## Safe Riding Precautions

---

Never ride past the limit of visibility. Maintain a safe distance between your ATV and other off-road vehicles. Always exercise caution, and use extra care on rough, slippery and loose terrain.

### **WARNING**

Failure to use extra care when operating on excessively rough, slippery or loose terrain could cause loss of traction or vehicle control, which could result in an accident, including an overturn.

Do not operate on excessively rough, slippery or loose terrain until you have learned and practiced the skills necessary to control the ATV on such terrain. Always be especially cautious on these kinds of terrain.

# Safe Riding Precautions

---

## Do Not Perform Stunts

You should always operate your ATV in a safe and reasonable manner. When riding, always keep all four wheels on the ground.

### **WARNING**

Attempting wheelies, jumps, and other stunts increases the chance of an accident, including an overturn.

Never attempt stunts, such as wheelies or jumps. Don't try to show off.

## Ride Only When Visibility Is Good

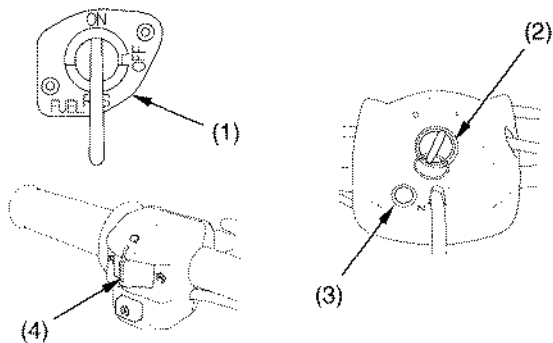
Your ATV is not equipped with lights. It is intended to be used only during the daytime. You should ride only when visibility is good. Plan to stop riding well before it gets dark. Operation at night without lights may be illegal in some states.

# Starting & Stopping the Engine

Always follow the proper starting procedure described below.

For your safety, avoid starting or operating the engine in an enclosed area such as a garage. Your ATV's exhaust contains poisonous carbon monoxide gas which can collect rapidly in an enclosed area and cause illness or death.

## Preparation



(1) fuel valve

(2) ignition switch

(3) neutral indicator lamp

(4) engine stop switch

1. Before starting, select a level surface and lock the parking brake (page 26 ).
2. Turn the fuel valve ( 1 ) and ignition switch ( 2 ) to ON.

Confirm the following:

- The transmission is in **NEUTRAL** (neutral indicator ( 3 ) ON).
- The engine stop switch ( 4 ) is set to **RUN** (  $\odot$  ).

# Starting & Stopping the Engine

## Starting Procedure

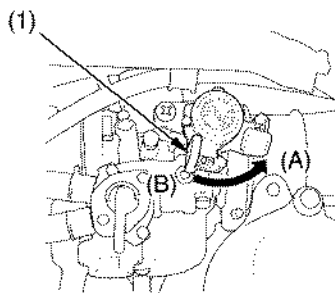
To restart a warm engine, follow the procedure for “*High Air Temperature.*”

The starter motor will operate only when the transmission is in neutral.

Normal Air Temperature 10°–35°C (50°–95°F)

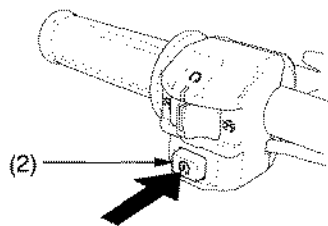
1. Pull the choke lever (1) up all the way to fully ON (A) if the engine is cold.
2. With the throttle 1/8–1/4 open, press the start button (2).  
(If the throttle limiter is adjusted as delivered, open the throttle fully.)

LEFT SIDE



- (1) choke lever
- (A) fully ON
- (B) fully OFF

LEFT HANDLEBAR



- (2) start button

- Pressing the electric start button for more than 5 seconds at a time may cause the starter to overheat and damage the starter. Release the start button for approximately 10 seconds before pressing it again.

## **Starting & Stopping the Engine**

---

3. Warm up the engine by opening and closing the throttle slightly.
4. After the engine has warmed up, push the choke lever down all the way to fully OFF (B).
5. If idling is unstable, open the throttle slightly.

# Starting & Stopping the Engine

---

## High Air Temperature 35°C (95°F) or above

1. Do not use the choke.
2. With the throttle closed, start the engine.

## Low Air Temperature 10°C (50°F) or below

1. Pull the choke lever (I) up all the way to fully ON (A) if the engine is cold.
2. With the throttle 1/8 – 1/4 open, start the engine.
3. Warm up the engine by opening and closing the throttle slightly.
4. Continue warming up the engine until it runs smoothly and responds to the throttle, when the choke lever down all the way to fully OFF.
5. If idling is unstable, open the throttle slightly.

### **NOTICE**

*Extended use of the choke may impair piston and cylinder wall lubrication and shorten the life of the engine.*




# Starting & Stopping the Engine

---

## Flooded Engine


If the engine fails to start after repeated attempts, it may be flooded with excess fuel. To clear a flooded engine:

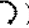
1. Leave the engine stop switch set to RUN (  ).
2. Push the choke lever down all the way to fully OFF.
3. Open the throttle fully.
4. Press the start button for 5 seconds.
5. If the engine starts, quickly close the throttle, then, if idling is unstable, open it slightly.  
If the engine does not start, wait 10 seconds, then follow the *High Air Temperature* procedure (page 55).



If the engine still won't start, refer to *If Your Engine Quits or Won't Start*, page 164 .

## How to Stop the Engine


### Normal Engine Stop

To stop the engine, make sure the transmission is in neutral by checking that the neutral indicator lights, and turn the ignition switch OFF (  ).

The engine stop switch should normally remain in the RUN (  ) position even when the engine is OFF.

If your ATV is stopped with the engine stop switch OFF (  ) and the ignition switch ON (  ), the battery will discharge.

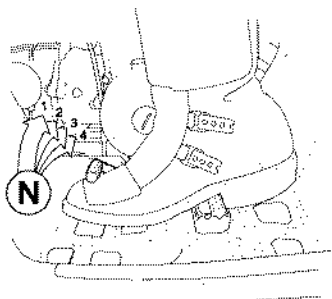
### Emergency Engine Stop

To stop the engine in an emergency, use the engine stop switch. To operate, move the switch to either OFF (  ) position.

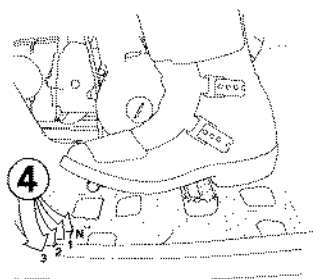
# Shifting Gears

---

## UPSHIFTING SEQUENCE



## DOWNSHIFTING SEQUENCE



Your ATV has four forward gears: 1, 2, 3, and 4.

The shift lever is located near the left footpeg. One full stroke of the shift lever shifts the transmission to the next higher or lower gear in the shifting sequence. The shift lever automatically returns to the horizontal position when released.

To upshift to a higher gear, put the toe of your boot under the shift lever and raise it one full stroke. To downshift, step on the shift lever and depress it one full stroke.

# Shifting Gears

---

With the engine stop switch at RUN and the transmission in neutral, the engine can be started.

1. With the transmission in neutral, release the parking brake, but continue squeezing the rear brake lever.
2. With the throttle closed, raise the shift lever one full stroke to shift into 1st (first) gear.
3. Release the rear brake lever and increase engine speed by gradually opening the throttle.
4. When speed increases, release the throttle and shift to 2nd gear by raising the shift lever one full stroke.
5. Repeat this sequence to progressively upshift to 3rd and 4th (top) gear.
6. To downshift, reverse this sequence. Remember to close the throttle each time you shift to the next lower gear.

# Shifting Gears

---

Learning when to shift gears comes with experience. Keep the following tips in mind:

- As a general rule, shift while moving in a straight line.
- Close the throttle completely before shifting. Improper shifting may damage the engine, transmission, and drive train.
- Upshift to a higher gear or reduce throttle before engine rpm (speed) gets too high. Learn the relationship between engine sound and the normal shifting points.
- Downshift to a lower gear before you feel the engine laboring (lugging) at low rpm.
- Avoid downshifting to help slow your ATV when engine rpm is high. Downshifting when engine speed is near its allowable maximum may over-rev the engine and cause possible damage.
- To prevent transmission damage, do not coast or tow the ATV for long distances with the engine off.

## Recommended Shift Points

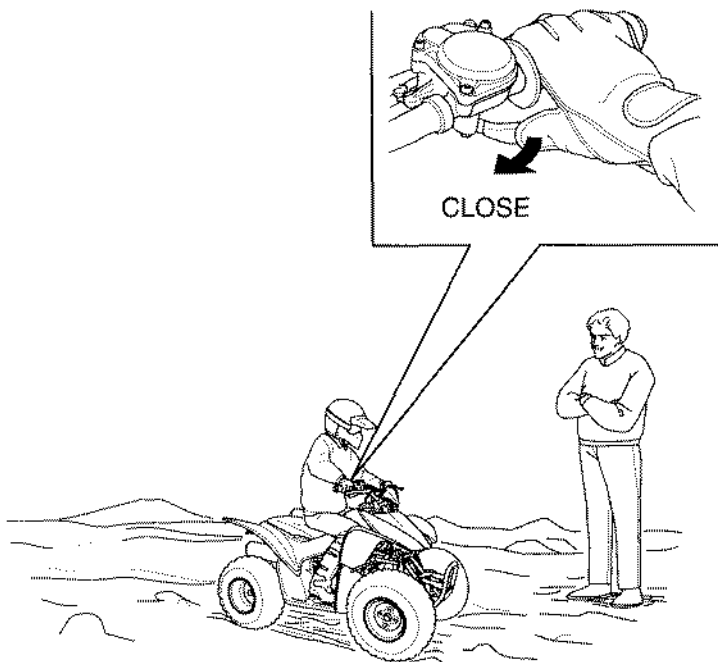
Ride in the highest gear that lets the engine run and accelerate smoothly. This will give you good fuel economy and effective emissions control.

# Braking

Your ATV is equipped with drum brakes on both front wheels which are mechanically activated by operating the right brake lever. A single drum brake on the rear axle housing is mechanically activated by depressing the brake pedal or operating the left brake lever.

As a general rule, the front braking system provides about 70 percent of total stopping power.

For full braking effectiveness, use both the pedal and lever simultaneously. Using both braking systems will stop your ATV faster with greater stability.

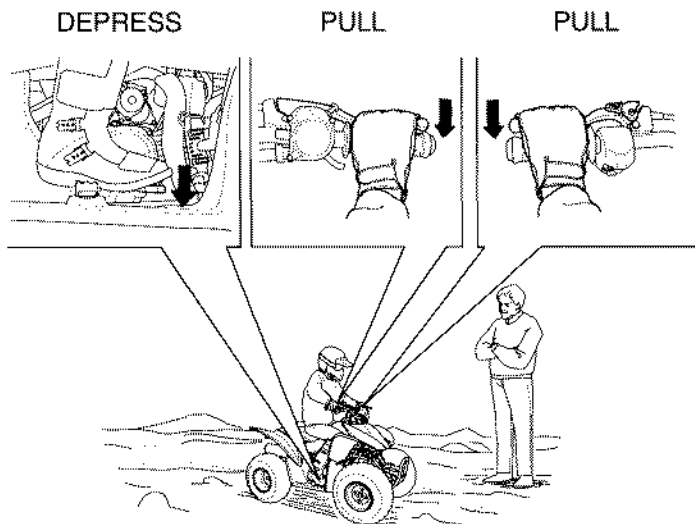


# Braking

---

To slow or stop, apply the brake levers and brake pedal smoothly, while downshifting to match your speed.

Gradually increase braking as you feel the brakes slowing your speed. The increase in engine compression from downshifting will help slow your ATV.



# Braking

---

Applying the brakes too hard may cause the wheels to lock and slide, reducing control of your ATV. If this happens, release the brake controls, steer straight ahead until you regain control, then reapply the brakes more gently.

When possible, reduce your speed or complete braking before entering a turn. Avoid braking or closing the throttle quickly while turning. Either action may cause one or more wheels to slip and reduce your control of your ATV.

Your ability to brake in a turn and to brake hard in an emergency situation are important riding skills.

When descending a long, steep grade, use engine compression braking by downshifting, with intermittent use of both brakes. Continuous brake application can overheat the brakes and reduce their effectiveness.

Riding with your foot resting on the brake pedal or your hands on the brake levers may overheat the brakes, reducing effectiveness.

For information on how to apply the brakes in various riding situations, see the following section, *Riding Your ATV*.

# Riding Your ATV

---

## Making Turns

Learn how to turn your ATV properly. Practice the techniques outlined in this section on level ground and at low speeds until you are confident in making turns.

### **WARNING**

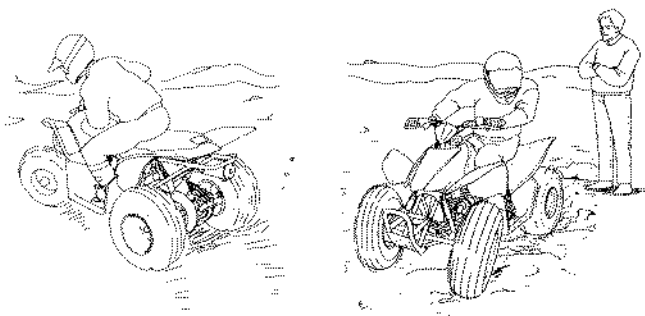
Turning improperly can make the ATV to go out of control, causing a collision or overturn.

- Always follow proper procedures for turning as described in this owner's manual.
- Practice turning at low speeds before attempting to turn at faster speeds.
- Do not turn at excessive speeds.



# Riding Your ATV

---



Lean your body to the inside of a turn and forward.

To make a turn on level ground: Steer the handlebar and lean your body toward the inside of the turn. Leaning helps balance the vehicle, and it feels more comfortable. Leaning into a turn is an important technique to master in riding an ATV.

To make a sharp turn at low speed: It helps to shift your body slightly forward on the seat, and lean inside, as you steer the handlebar. Shifting weight forward allows the rear wheels to turn easier, and it also improves front-wheel steering.

To make a turn from a full stop: Apply the throttle gradually when you turn and start up at the same time. Remember to shift your body forward to make sharp low-speed turns and whenever you turn while accelerating from a full stop.

# Riding Your ATV

---

## Skidding or Sliding

The terrain surface can be a major factor affecting turns. Skidding during a turn is more likely to occur on slippery surfaces, such as snow, ice, mud and loose gravel. If you skid on ice, you may lose all directional control. To avoid skidding on slippery terrain, keep your speed low and ride with caution.

### **⚠ WARNING**

Skidding or sliding improperly may cause you to lose control of this ATV. You may also regain traction unexpectedly, which may cause the ATV to overturn.

Learn to safely control skidding by practicing at low speeds and on level, smooth terrain.

If your ATV skids sideways during a turn, steer in the direction of the skid. Avoid hard braking or accelerating until you have regained directional control.

# Riding Your ATV

---

## Riding Up Hills

The ATV's ability to safely climb hills largely depends on the rider's skill and judgment. Begin by practicing on smooth, gentle slopes. As you gain experience, you'll learn the hazards and your own limitations. You may then proceed to ride on more difficult terrain. However, you must be able to decide which hills or hazards might cause the ATV to overturn. Avoid excessively steep hills.

### **▲ WARNING**

Operating on excessively steep hills can cause the vehicle to overturn more easily than operating on level surfaces or small hills.

Never operate the ATV on hills too steep for the ATV or for your abilities.

When climbing hills, you must shift weight toward the front wheels to help keep them on the ground. To do this, shift your body slightly forward on the seat and lean forward. For greater weight shift, move your body farther forward and lean forward.

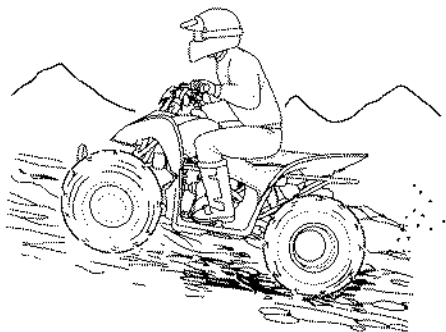
### **▲ WARNING**

Climbing hills improperly could cause loss of control or cause the ATV to overturn.

Always follow proper procedures for climbing hills as described in this owner's manual.

# Riding Your ATV

---



Shift weight forward when climbing hills.

- Always check the terrain carefully before you start up any hill.
- Never climb hills with excessively slippery or loose surfaces.
- To climb a hill, take a running start in an appropriate gear and speed for the conditions. Maintain a steady speed as you ascend the hill.
- Never open the throttle suddenly or make sudden gear changes. The ATV could flip over backward.
- Never go over the top of any hill at high speed. An obstacle, a sharp drop, or another vehicle or person could be on the other side of the hill.

# Riding Your ATV

---

## **Stalling the ATV and/or Rolling Backwards:**

If you incorrectly estimate climbing capability or terrain conditions, the ATV may not have enough power or traction to continue uphill. If this happens, the ATV can stall and/or roll backwards.

### **WARNING**

Stalling, rolling backwards or improperly dismounting while climbing a hill could result in the ATV overturning.

Always follow proper procedures for climbing a hill as described in this owner's manual.

## What to do if the ATV stalls or rolls backwards when climbing a hill:

If you are about to lose all forward speed:

1. Using the front and rear brakes together, bring the ATV to a stop with the vehicle pointed straight uphill.
2. Get off the ATV while you continue holding the brakes.
3. Shift into neutral, set the parking brake and turn the engine off.
4. Then assess the situation.

If the ATV starts rolling backwards before you begin braking:

1. Keep your weight uphill.
2. Carefully apply the front brakes first, then carefully apply the rear brake. Do not apply either brake abruptly if you are rolling backwards, or the vehicle may overturn.

If the ATV continues sliding backwards:

After you've applied the brakes, get off and away from the vehicle.

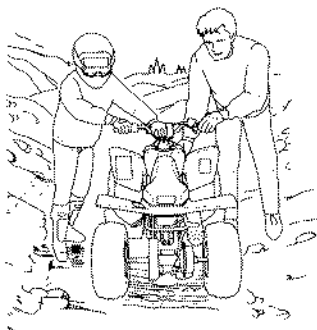
# Riding Your ATV

---

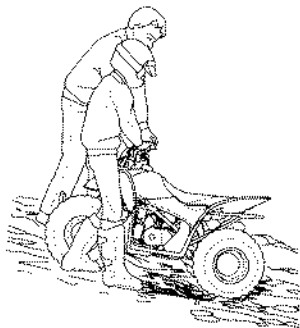
## What to do after the ATV has stalled or rolled backwards:

If the hill is too steep or too slippery, or if you have any doubt whether you can safely walk the ATV back down the hill, leave the vehicle where it is and get help. If possible, block the wheels so the vehicle doesn't roll backwards.

If the hill is not too steep and you have good footing, you may be able to walk the ATV back down the hill. Make sure your intended path is clear in case you lose control of the ATV.



Be sure your legs are clear of the wheels.



Body position for backing down a hill.

1. Stand with your body facing downhill, beside the vehicle so you can reach the rear brake lever with your right hand.
2. Be sure your legs are clear of the wheels.  
Check your footing.
3. Slowly and carefully back the ATV down the hill using the rear brake lever to control speed.
4. If you lose control of the ATV, for your safety, get away from the vehicle.

# Riding Your ATV

## Riding Down Hills

It's usually advisable to descend hills with the ATV pointed straight downhill. Avoid angles that would cause the vehicle to lean sharply to one side.

### **⚠ WARNING**

Going down a hill improperly could cause loss of control or cause the ATV to overturn.

Always follow proper procedures for going down hills as described in this owner's manual.



On downhills, shift your weight back.

As you approach a downhill, stop and survey the terrain below. Never ride past the limit of your visibility. Never go down a hill at high speed.

# Riding Your ATV

---

When you've selected a safe downhill path, shift into a lower gear, shift your weight back with your arms extended and braced against the handlebar, then go down slowly with the throttle closed.

Use mainly the rear brake to control speed. Avoid using either the front brake or rear brake hard or abruptly when riding down hills.

Remember, braking effectiveness is reduced on any hill with a loose surface.

## Crossing or Turning on Hills or Slopes

Riding on hills or slopes is different from riding on level terrain. Be careful when riding on any hill. Make sure that you practice on gentle, smooth slopes before attempting to ride on steeper or more difficult terrain.

### **WARNING**

Improperly crossing hills or turning on hills could cause loss of control or cause the ATV to overturn.

Always follow proper procedures for crossing or turning on slopes as described in this Owner's Manual. Avoid crossing steep hills if possible.

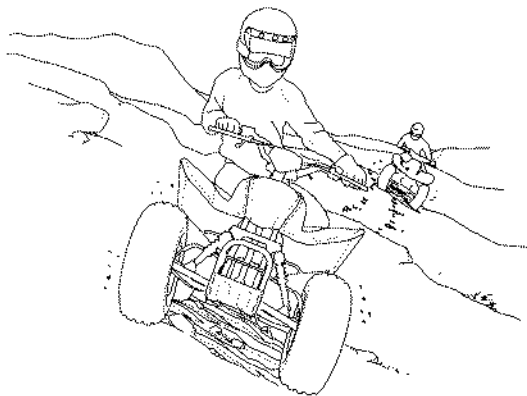


# Riding Your ATV

---

## Crossing Hills or Slopes

- To maintain balance and stability when riding across a slope, you need to shift weight toward the uphill side of the vehicle. To do this, move your body off the centre of the seat and lean toward the uphill side.
- On a slippery or loose surface, you may also need to steer slightly uphill to maintain a straight course across the slope.
- Avoid crossing hills that are excessively steep, slippery or rough.



Shift weight uphill when crossing slopes.

## Making Turns on Slopes

- Compared to riding on level ground, you may need to shift more weight and lean more when making turns on slopes.
- Do not make turns on any slopes until you have first mastered the techniques for making turns on level terrain.

# Riding Your ATV

---

## Riding Over Obstacles

Before operating in a new area, check for obstacles. Watch out for bumps, rain ruts, potholes and other obstacles in the terrain. When you approach any obstacle, reduce your speed and be prepared to stop. Never try to ride over large obstacles, such as large rocks or fallen logs.

### **WARNING**

Improperly operating over obstacles could cause loss of control or a collision and could cause the ATV to overturn.

When you go over obstacles, always follow proper procedures as described in this owner's manual.

# Riding Your ATV

---

## Riding Through Water

Your ATV is designed to travel through water up to approximately 200 mm (8 inches) deep. Before crossing a stream, make sure the water is not too deep or flowing too fast.

### **WARNING**

The ATV tyres have some ability to float. Operating this ATV through deep or fast-flowing water may cause a loss of traction and loss of control, which could lead to an accident.

Never operate this ATV in fast-flowing water or in water deeper than that specified in this Owner's Manual.

1. Choose a path where both banks have gradual slopes.
2. Proceed through the water at a slow, steady speed.
3. Watch out for submerged obstacles and slippery rocks.
4. Avoid getting the spark plug or air cleaner wet, as this would cause the engine to stop.
5. After leaving the water, always test both the front and rear brakes.
  - Riding through water can make the brakes less effective than normal, and may reduce stopping ability.
  - If necessary, apply the brakes repeatedly until they dry out and operate normally.
  - If the brakes don't regain effectiveness, stop your ATV and follow the procedures on page 125.

# Parking

---

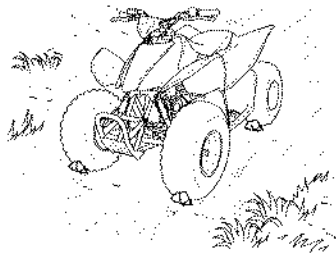
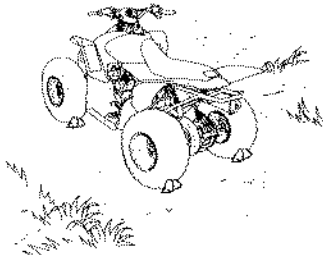
1. Look for level parking area. Make sure the ground surface is firm.
2. After bringing your ATV to a stop, hold the brakes while you shift into neutral.
3. Set the parking brake.
4. Turn the ignition switch OFF (  $\bigcirc$  ).
5. If you're through riding for the day, turn the fuel valve OFF.

If it is necessary to start the engine when your ATV is stopped on a grade in gear, rock the vehicle back and forth to allow shifting the transmission into neutral.

## Parking on a Steep Incline or a Loose or Slippery Surface

If you must park your ATV on a steep incline or loose or slippery surface, use the following procedure:

1. While holding the brakes, set the parking brake.
2. Turn the ignition switch OFF (  $\bigcirc$  ) and release the brakes.
3. If the ATV begins to move, either while sitting on it or after you dismount, find a better parking location.
4. If rocks or other objects are available, you can block the wheels as shown for additional security.



# Servicing Your Honda

---

To help keep your ATV in good shape, this section includes a Maintenance Schedule for required service and step-by-step instructions for specific maintenance tasks. You'll also find important safety precautions, information on fuels and oils, and tips for keeping your Honda looking good.

## *Before You Service Your Honda*

The Importance of Maintenance .....	81
Maintenance Safety .....	83
Important Safety Precautions .....	84
Maintenance Schedule .....	85
Maintenance Record.....	89

## *Service Preparations*

Maintenance Component Locations.....	90
Tool Kit.....	93
Owner's Manual Storage.....	94
Seat Removal .....	95

(cont'd)

# Servicing Your Honda

---

## *Service Procedures*

### Fluids & Filters

Fuel .....	96
Engine Oil & Filter.....	99
Air Cleaner.....	105

### Engine

Throttle.....	109
Clutch System .....	111
Engine Idle Speed and Air-Fuel Mixture .....	112
Spark Plug .....	114
Valves.....	117
Spark Arrester .....	118

### Chassis

Brakes.....	119
Tyres .....	126
Skid Plates .....	133
Drive Chain.....	134

### Electrical

Battery .....	142
Appearance Care .....	146

# The Importance of Maintenance

---

A well-maintained ATV is essential for safe, economical, and trouble-free riding. It will also help reduce air pollution. Careful pre-ride inspections and good maintenance are especially important because your ATV is designed to be ridden over rough off-road terrain.

To help your properly care for your ATV, this section of the manual provides a Maintenance Schedule. The service intervals in this schedule are based on average riding conditions.

More frequent service is needed if you subject your ATV to severe use or ride in unusually wet or dusty areas.

## **WARNING**

Improperly maintaining this ATV or failing to correct a problem before you ride can cause a crash in which you can be seriously hurt or killed.

Always follow the inspection and maintenance recommendations and schedules in this owner's manual.

Frequent servicing of the air cleaner is especially important to help you avoid a possible costly engine repair.

If your ATV overturns or is involved in a crash, be sure your Honda dealer inspects all major parts, even if you are able to make some repairs.

# The Importance of Maintenance

---

## *Note to Parents:*

*As a parent, it's up to you to make sure that this ATV is properly maintained and kept in safe operating condition. For youngsters, learning how to take care of a ATV and perform basic maintenance can be an important part of their riding experience. However, if you allow a youngster to perform or assist in any maintenance task, such as filling the tank with petrol, you should provide close supervision to make sure that it is performed safely.*



# Maintenance Safety

---

This section includes instructions on how to perform some important maintenance tasks. If you have basic mechanical skills, you can perform many of these tasks with the tools provided with your ATV.

Other tasks that are more difficult and require special tools are best performed by professionals. Removing the wheels should normally be handled only by a Honda technician or other qualified mechanic. Instructions are included in this manual only to assist in emergency service.

Some of the most important safety precautions follow. However, we cannot warn you of every conceivable hazard that can arise in performing maintenance. Only you can decide whether or not you should perform a given task.

## **WARNING**

Failure to properly follow maintenance instructions and precautions can cause you to be seriously hurt or killed.

Always follow the procedures and precautions in this owner's manual.

# Maintenance Safety

---

## Important Safety Precautions

- Make sure the engine is off before you begin any maintenance or repairs. This will help eliminate several potential hazards:
  - Carbon monoxide poisoning from engine exhaust.** Be sure there is adequate ventilation whenever you operate the engine.
  - Burns from hot ATV parts.** Let the engine and exhaust system cool before touching.
  - Injury from moving parts.** Do not run the engine unless instructed to do so.
- Read the instructions before you begin, and make sure you have the tools and skills required.
- To reduce the possibility of a fire or explosion, be careful when working around petrol. Use only non-flammable solvent, not petrol, to clean parts. Keep cigarettes, sparks, and flames away from all fuel-related parts.

Remember that your Honda dealer knows your ATV best and is fully equipped to maintain and repair it. To ensure the best quality and reliability, use only new genuine Honda parts or other equivalents for repair and replacement. If you have the tools and skills required for additional maintenance jobs, you can purchase an official Honda Shop Manual.

# Maintenance Schedule

---

The required Maintenance Schedule that follows specifies how often you should have your ATV serviced, and what things need attention. It is essential to have your ATV serviced as scheduled to maintain safe, dependable performance and proper emission control.

The service intervals in this Maintenance Schedule are based on average riding conditions. Some items will need more frequent service if you ride in unusually wet or dusty areas or at full throttle. Consult your Honda dealer for recommendations applicable to your individual needs and use.

Some items in the Maintenance Schedule can be performed with basic mechanical skills and hand tools. Procedures for these items are provided in this manual. Other items involve more extensive procedures and may require special training, tools, and equipment. We recommend that you have your Honda dealer perform these tasks unless you have advanced mechanical skills and the required tools and equipment. Procedures for such items in this schedule are provided in an official Honda Shop Manual available for purchase.

If you do not feel capable of performing a given task or need assistance, remember that your Honda dealer knows your ATV best and is fully equipped to maintain and repair it. If you decide to do your own maintenance, use only genuine Honda parts or their equivalents for repair or replacement to ensure the best quality and reliability.

# Maintenance Schedule

---

Perform the pre-ride inspection (page 36 ) and owner maintenance on this section at each scheduled maintenance period.

Each item on the maintenance schedule requires some mechanical knowledge. Certain items (particularly those marked \* and \*\*) may require more technical information and tools. Consult your Honda dealer.

- \* Should be serviced by your Honda dealer, unless you have the proper tools and service data and are mechanically qualified. Refer to the official Honda Shop Manual.
- \*\* In the interest of safety, we recommend these items be serviced only by your Honda dealer.

## *Summary of Maintenance Schedule Notes & Procedures:*

### NOTES:

1. Service more frequently if the ATV is ridden in dusty area, sand or snow.
2. Service more frequently if the ATV is ridden in very wet or muddy conditions.

# Maintenance Schedule

## Maintenance Procedures:

I: inspect and clean, adjust, lubricate, or replace, if necessary

C: clean

A: adjust

L: lubricate

R: replace

ITEMS	FREQUENCY	WHICHEVER COMES FIRST		INITIAL MAINT.	REGULAR MAINT. INTERVAL		Refer to page
		⇒	km	150	1000	2000	
			mi	100	600	1200	
		NOTE	HOURS	20	100	200	
* FUEL LINE					I		---
* THROTTLE OPERATION					I		109
AIR CLEANER		NOTE 1			C	C	105
SPARK PLUG					I	I	114
* VALVE CLEARANCE				I	I	I	117
ENGINE OIL				INITIAL=150km (100mi) 20 operating hours or 1month:R REGULAR=Every 1000km (600mi) 100 operating hours or 12 months:R			99
** ENGINE OIL STRAINER SCREEN						C	---
** ENGINE OIL CENTRIFUGAL FILTER						C	---
* ENGINE IDLE SPEED				I	I	I	112

\* Should be serviced by your Honda dealer, unless you have the proper tools and service data and are mechanically qualified. Refer to the official Honda Shop Manual.

\*\* In the interest of safety, we recommend these items be serviced only by your Honda dealer.

# Maintenance Schedule

ITEMS	FREQUENCY	WHICHEVER COMES FIRST →		INITIAL MAINT.	REGULAR MAINT. INTERVAL		Refer to page
		km	mi	150	1000	2000	
		HOURS	20	100	200		
DRIVE CHAIN	NOTE 1, NOTE 2			I.L	I.L EVERY 500 km (300 mi) or 50 operating hours		134
DRIVE CHAIN SLIDER							136
* BRAKE SHOE WEAR	NOTE 1						123
BRAKE SYSTEM							119
SKID PLATES							133
* CLUTCH SYSTEM							111
* SUSPENSION							--
* SPARK ARRESTER					C	C	118
* NUTS, BOLTS, FASTENERS							--
** WHEELS/TYRES							--
** STEERING SHAFT HOLDER BEARINGS							--
** STEERING SYSTEM							--

- \* Should be serviced by your Honda dealer, unless you have the proper tools and service data and are mechanically qualified. Refer to the official Honda Shop Manual.
- \*\* In the interest of safety, we recommend these items be serviced only by your Honda dealer.

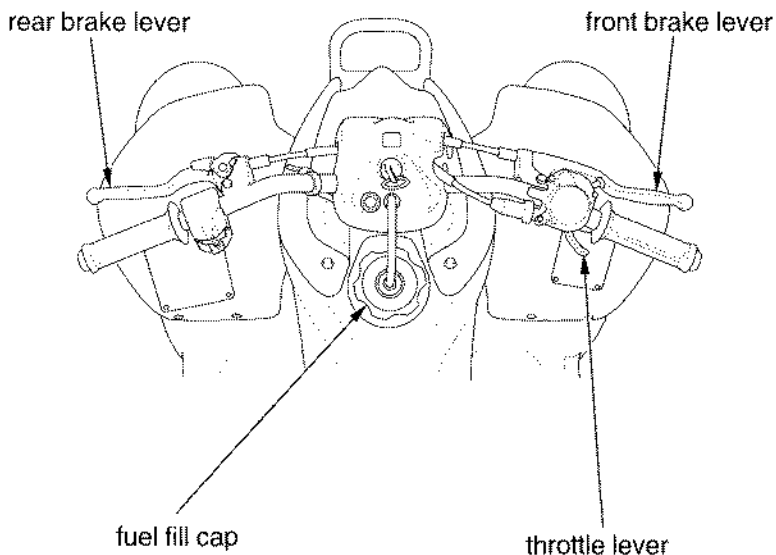
# Maintenance Record

Keeping an accurate maintenance record will help ensure that your ATV is properly maintained. Retain detailed receipts to verify the maintenance was performed. If the ATV is sold, these receipts should be transferred with the ATV to the new owner. Make sure whoever performs the maintenance completes this record. All scheduled maintenance, including the 150 km (100 mile) or 20 hours initial maintenance, is considered a normal owner operating cost and will be charged for by your dealer. Use the space under Notes to record anything you want to remind yourself about or mention to your dealer.

<b>km (Miles) or hours</b>	<b>Date</b>	<b>Performed By:</b>	<b>Notes</b>
150 (100) or 20			
1,000 (600) or 100			
2,000 (1,200) or 200			
3,000 (1,800) or 300			
4,000 (2,400) or 400			
5,000 (3,000) or 500			
6,000 (3,600) or 600			
7,000 (4,200) or 700			
8,000 (4,800) or 800			

# Maintenance Component Locations

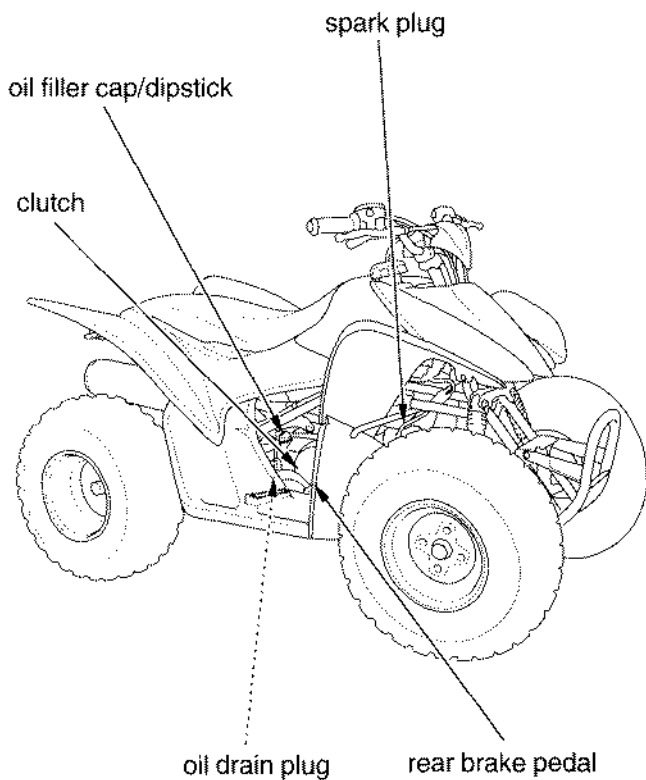
---





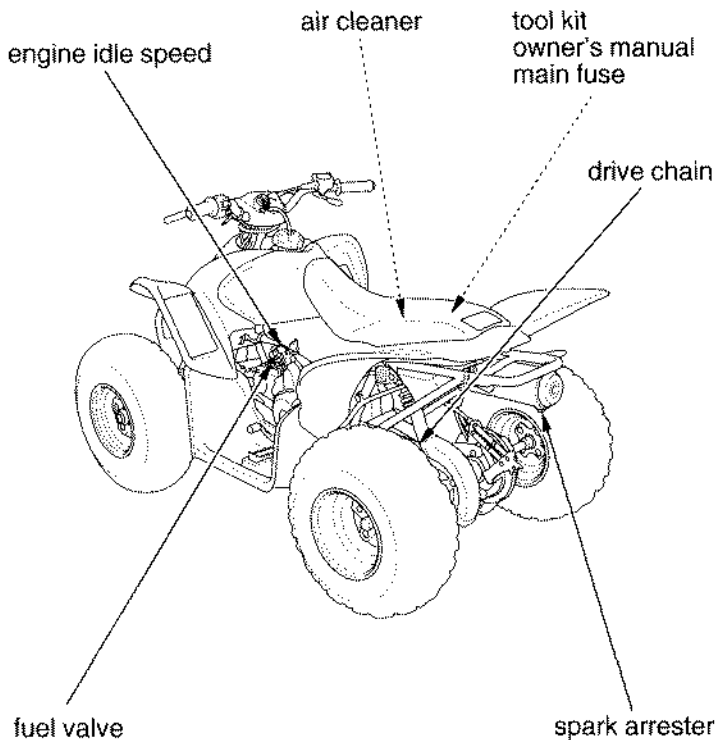
# Maintenance Component Locations

---



# Maintenance Component Locations

---



# Tool Kit

The tool kit (1) is stored under the seat (page 95 ).

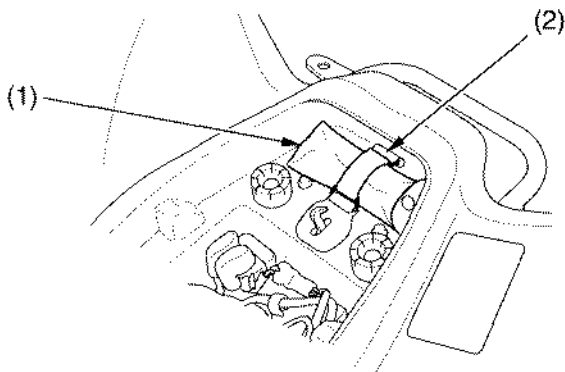
After using the tools, be sure to use the rubber band (2) to fasten the tool kit securely.

The tools in the kit are sufficient to perform routine maintenance and simple repairs. Any extensive work requiring additional tools should be performed by your Honda dealer.

The tool kit includes the following items:

- \* spark plug wrench and handlebar
- \* air pressure gauge
- \* tool bag

## UNDER SEAT



(1) tool kit

(2) rubber band

# Owner's Manual Storage

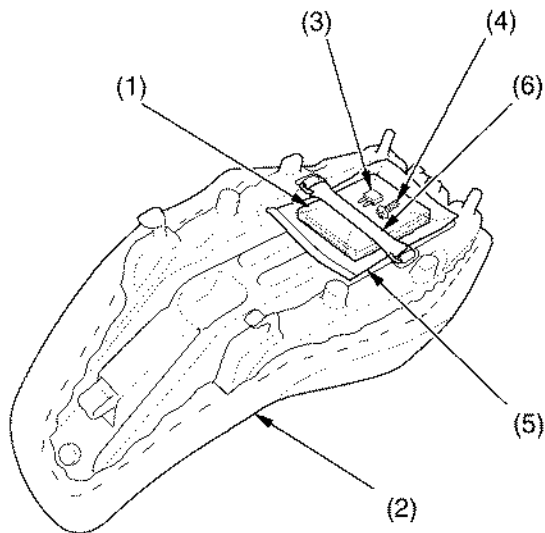
---

Your ATV provides storage for the owner's manual so you'll have it with you for easy reference. Store your owner's manual ( 1 ) in the plastic document bag ( 2 ).

The owner's manual ( 1 ), spare fuse ( 3 ) and screw ( 4 ) should be stored in the plastic document bag ( 5 ) and fastened with the rubber band ( 6 ).

Be careful not to flood this area when washing your ATV.

## SEAT UNDERSIDE



(1) owner's manual

(2) seat

(3) spare fuse

(4) screw

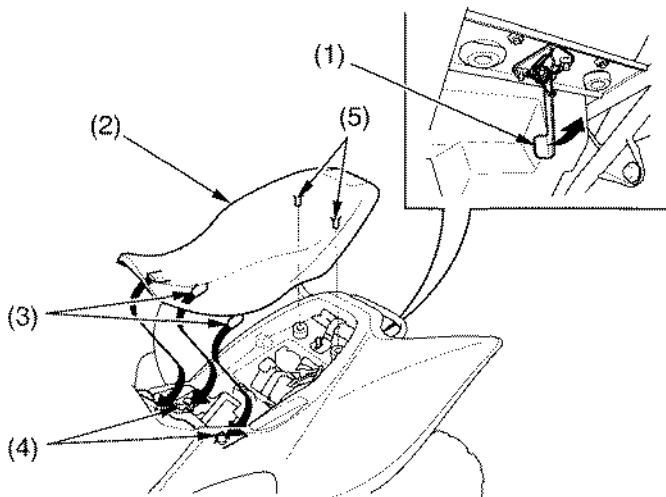
(5) plastic document bag

(6) rubber band

# Seat Removal

Refer to *Safety Precautions* on page 84 .

The seat must be removed for air cleaner, battery and fuse maintenance.



(1) seat lock lever

(2) seat

(3) front prongs

(4) hooks

(5) studs

## Removal

1. Pull the seat lock lever ( 1 ) up behind the seat.
2. Slide the seat ( 2 ) back and lift it.

## Installation

1. Insert the front prongs ( 3 ) into the hooks ( 4 ) on the frame and press the studs ( 5 ) into the grommets on the storage compartment.
2. Press down on the seat until locks.

# Fuel

---

Refer to *Safety Precautions* on page 84 .

## Fuel Recommendation

type	unleaded
research octane number	91 (or higher)

We recommend that you use unleaded fuel because it produces fewer engine deposits and extends the life of exhaust system components.

Your engine is designed to use any petrol that has a pump octane number  $(R + M)/2$  of 86 or higher, or a research octane number of 91 or higher. Petrol pumps at service stations normally display the pump octane number. For information on the use of *petrol containing alcohol*, see page 175 .

Use of lower octane petrol can cause persistent “pinging” or “spark knock” (a loud rapping noise) which, if severe, can lead to engine damage. Light pinging experienced while operating under a heavy load, such as climbing a hill, is no cause for concern.

If pinging or spark knock occurs at a steady engine speed under normal load, change brands of petrol. If pinging or spark knock persists, consult your Honda dealer.

Never use stale or contaminated petrol or an oil/petrol mixture. Avoid getting dirt, dust, or water in the fuel tank.

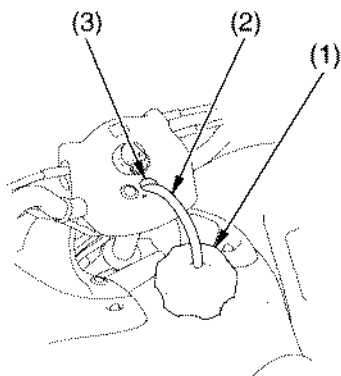
## Fuel Capacity

- Fuel tank capacity, including reserve:  
7.5 ℓ (1.98 US gal , 1.65 Imp gal)
- Reserve capacity:  
1.3 ℓ (0.34 US gal , 0.29 Imp gal)

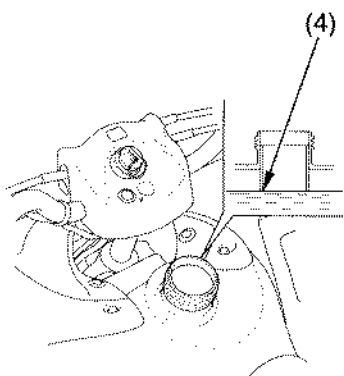
The tank should be refilled as soon as possible after switching to reserve, and the fuel valve should be returned to the ON position after refueling to avoid running out of fuel with no reserve.

## Refueling Procedure

Refer to *Safety Precautions* on page 84.



- (1) fuel fill cap  
(2) breather tube



- (3) handle cover hole  
(4) filler neck

(cont'd)

# Fuel

---

1. To open the fuel fill cap ( 1 ), turn it counterclockwise.
2. Pull the breather tube ( 2 ) out of the handlebar cover hole ( 3 ).
3. Add fuel until the level reaches the bottom of the filler neck ( 4 ).  
Avoid over filling the tank. There should be no fuel in the filler neck.

## **WARNING**

Petrol is highly flammable and explosive. You can be burned or seriously injured when handling fuel.

- Stop the engine and keep heat, sparks and flame away.
- Handle fuel only outdoors.
- Wipe up spills immediately.

4. After refueling, turn the fuel fill cap clockwise until it clicks.
5. Insert the breather tube into the handlebar cover hole.
6. If the fuel valve was set to RES, turn the fuel valve ON.

If you replace the fuel fill cap, use only a genuine Honda replacement part.



# Engine Oil

---

Engine oil quality is a major factor that affects both the performance and the service life of the engine.

Using the proper oil (page 100 ) and filter, and regularly checking, adding, and changing oil will help extend your engine's life. Even the best oil wears out. Changing oil helps get rid of dirt and deposits in the engine. Operating the engine with old or dirty oil can damage your engine. Running the engine with insufficient oil can cause serious damage to the engine and transmission.

Change the engine oil as specified in the maintenance schedule on page 87 . When running in very dusty conditions, oil changes should be performed more frequently than specified in the maintenance schedule.

# Engine Oil

---

## Oil Recommendation

API classification *	SE, SF or SG
viscosity (weight)	SAE 10W-40
suggested oil	Honda 4-stroke oil or an equivalent.

\* Motor oils intended for Service SE, SF or SG will show this designation on the container.

- Your ATV does not need oil additives. Use the recommended oil.
- Do not use oils with graphite or molybdenum additives. They may adversely affect clutch operation.
- Do not use API SH or higher oils displaying a circular API “energy conserving” service label on the container. They may affect lubrication and clutch performance.



NOT RECOMMENDED

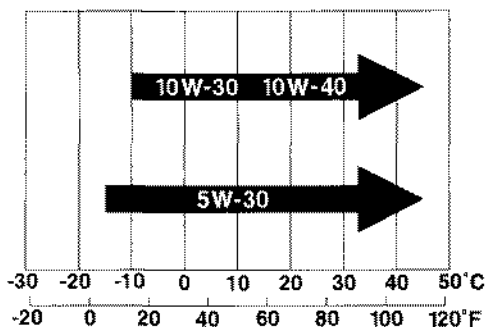


OK

- Do not use non-detergent, vegetable, or castor based racing oils.

# Engine Oil

Other viscosities shown in the following chart may be used when the average temperature in your riding area is within the indicated range.



## JASO T 903 standard

The JASO T 903 standard is an index for engine oils for 4-stroke motorcycle engines.

There are two classes: MA and MB.

Oil conforming to the standard is labeled on the oil container. For example, the following label shows the MA classification.



PRODUCT MEETING JASO T 903  
COMPANY GUARANTEEING THIS MA PERFORMANCE:

- (1) code number of the sales company of the oil
- (2) oil classification

# Engine Oil

## Checking & Adding Oil

Refer to *Safety Precautions* on page 84 .

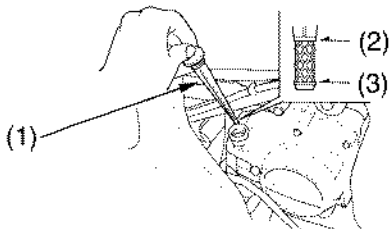
Check the engine oil level each day before operating your ATV and add if needed.

1. Park your ATV on a firm, level surface.
2. Start the engine in a well-ventilated area and let it idle for 3–5 minutes. Stop the engine and wait 2–3 minutes.
3. Remove the oil filler cap/dipstick (1) from the right crankcase cover and wipe it clean.
4. Insert the oil filler cap/dipstick without screwing it in, then remove the oil filler cap/dipstick and check the oil level. The oil level should be between the upper level mark (2) and the lower level mark (3) on the oil filler cap/dipstick.
5. If required, add the specified oil into the filler cap hole, up to the upper level mark on the oil filler cap/dipstick. Do not overfill.
6. Reinstall the oil filler cap/dipstick.

### NOTICE

*Running the engine with an improper oil level can cause serious engine damage.*

RIGHT SIDE



(1) oil filler cap/dipstick  
(2) upper level mark

(3) lower level mark

# Engine Oil

## Changing Engine Oil

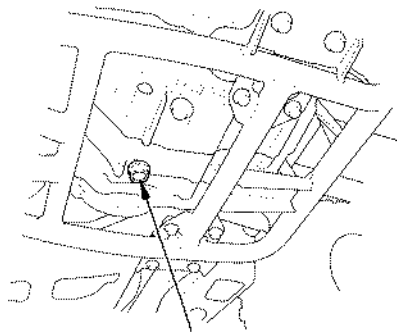
Refer to *Safety Precautions* on page 84 .

This procedure requires mechanical skill and professional tools such as a torque wrench as well as a means for disposing of the drained fluid (page 156). If you do not have the skills or the tools, see your Honda dealer.

### *Drain the Engine Oil:*

1. With the ATV on the level ground, remove the oil filler cap/dipstick from the right crankcase cover.
2. Place an oil drain pan under the crankcase and remove the oil drain plug (1).

### UNDER ENGINE



(1)

(1) oil drain plug

(cont'd)

# Engine Oil

---

3. Pour the drained oil into a suitable container and dispose of it in an approved manner (page 156 ).

## NOTICE

*Improper disposal of drained fluids is harmful to the environment.*

### *Add Engine Oil:*

1. Check that the drain plug sealing washer is in good condition. If necessary, replace the sealing washer.
2. Reinstall the oil drain plug and tighten it to the specified torque:  
24 N·m (2.4 kgf·m , 17 lbf·ft)
3. Fill the crankcase with the recommended grade oil approximately:  
0.7 ℓ (0.7 US qt , 0.6 Imp qt)
4. Reinstall the oil filler cap/dipstick.
5. Start the engine and let it idle for 3 – 5 minutes.
6. Stop the engine and check the oil level. Make sure the oil is between the upper and lower level marks on the oil filler cap/dipstick. If necessary, add more oil but do not overfill.
7. Check that there are no oil leaks.

If a torque wrench is not used for installation, see your Honda dealer as soon as possible to verify proper assembly.

# Air Cleaner

---

Refer to *Safety Precautions* on page 84 .

Proper air cleaner maintenance is very important for off-road vehicles. A dirty, water-soaked, worn-out, or defective air cleaner will allow dirt, dust, mud, and other impurities to pass into the engine.

Service the air cleaner more frequently if you ride in unusually wet or dusty areas. Your Honda dealer can help you determine the correct service interval for your riding conditions.

Your ATV's air cleaner has very specific performance requirements. Use a new genuine Honda air cleaner specified for your model or an air cleaner of equal quality.

## NOTICE

*Using the wrong air cleaner may result in premature engine damage.*

Proper air cleaner maintenance can prevent premature engine wear or damage, expensive repairs, low engine power, poor gas mileage, and spark plug fouling.

## NOTICE

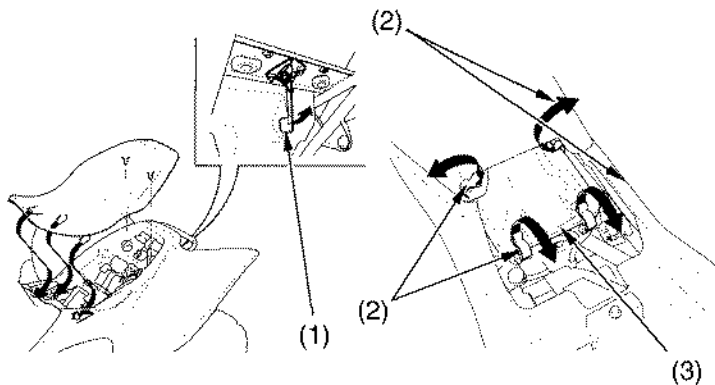
*Improper or lack of proper air cleaner maintenance can cause poor performance and premature engine wear.*

# Air Cleaner

---

## Cleaning

1. Remove the seat by pulling the seat lock lever (1) up.



(1) seat lock lever  
(2) retainer clips

(3) air cleaner housing cover

2. Unlatch the four retainer clips (2).
3. Remove the air cleaner housing cover (3).
4. Remove the set plate (4) and remove the air cleaner assembly (5) from the case.

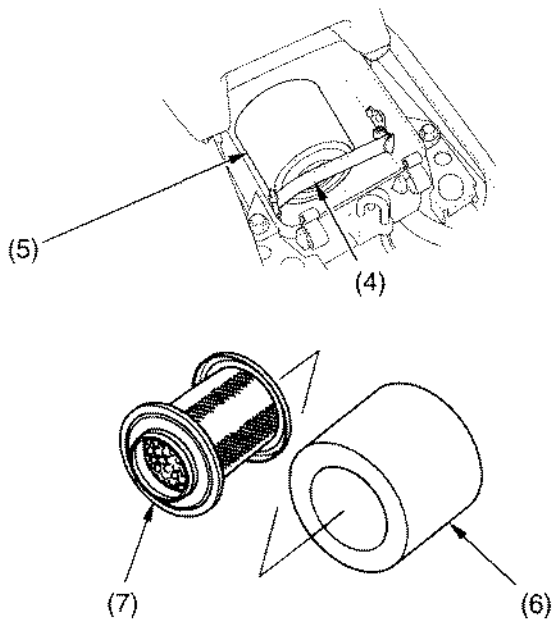


# Air Cleaner

---

5. Remove the air cleaner (6) from the air cleaner body (7).
6. Gently wash the air cleaner in clean, non-flammable (high flash point) solvent such as kerosene — not petrol. After cleaning, gently squeeze out the remaining solvent. Avoid twisting or wringing the air cleaner. This can tear the foam.

## UNDER SEAT



(4) set plate  
(5) air cleaner assembly

(6) air cleaner  
(7) air cleaner body

# Air Cleaner

---

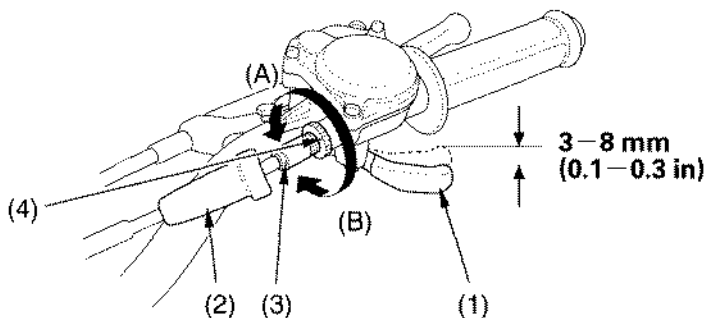
7. Inspect for tears or cracks in the foam or seams of the air cleaner.  
Replace the air cleaner if it is damaged.
8. Allow the air cleaner to dry thoroughly before applying oil. A wet air cleaner will not fully absorb the oil.
9. Pour clean air filter oil over the entire surface of the air cleaner. Use both hands to evenly spread the oil into the air cleaner. Gently squeeze out any excess oil. (To keep your hands dry, place the air cleaner in a clean plastic bag before spreading the oil into the air cleaner.)
10. Install the air cleaner on the air cleaner body.
11. Apply a thin coat of grease to the sealing surface of the air cleaner assembly.
12. Insert the air cleaner assembly into the air cleaner housing.
13. Install the set plate.
14. Install the air cleaner housing cover.
15. Latch the four retainer clips.

# Throttle

## Throttle Freeplay

Refer to *Safety Precautions* on page 84.

### RIGHT HANDLEBAR



(1) throttle lever

(2) rubber sleeve

(3) throttle cable adjuster

(4) lock nut

(A) decrease freeplay

(B) increase freeplay

### Inspection

Check freeplay at the throttle lever (1).

Freeplay:

3-8 mm (0.1-0.3 in)

### Adjustment

1. Remove the fuel fill cap breather tube (2) from the handlebar cover.
2. Remove the two dust caps (3), the two screws (4) and the handlebar cover.

(cont'd)

# Throttle

---

## Throttle Inspection

Refer to *Safety Precautions* on page 84.

1. Check that the throttle assembly is positioned properly and the securing bolts are tight.
2. Check for smooth operation of the throttle lever from fully open to fully closed in all steering positions. If there is a problem, see your Honda dealer.
3. Inspect the condition of the throttle cables from the throttle lever down to the carburetor. If the cable is kinked or chafed, have it replaced.
4. Check the cables for tension or stress in all steering positions.
5. Lubricate the cables with a commercially-available cable lubricant to prevent premature wear and corrosion.

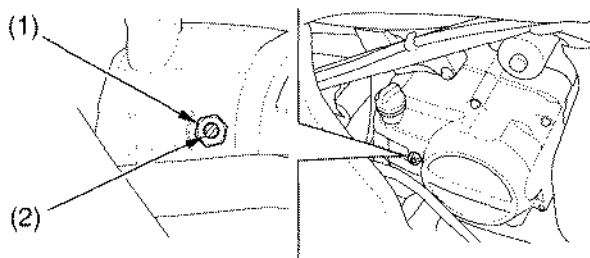
# Clutch System

Your ATV's shift-activated, wet, multiplate clutch is part of the primary drive system. Proper adjustment allows a smooth, gradual engagement when shifting gears.

## Clutch Adjustment

Refer to *Safety Precautions* on page 84.

### RIGHT SIDE



(1) lock nut

(2) clutch adjuster

1. Make sure the ignition switch is OFF (  $\bigcirc$  ).
2. Loosen the lock nut ( 1 ).
3. Turn the clutch adjuster ( 2 ) counterclockwise until you feel slight resistance.
4. Turn the adjuster 1/8 turn clockwise, then tighten the lock nut to hold the adjuster in this position.
5. After adjustment, start the engine and test ride your ATV to be sure the clutch is operating properly.

If you cannot get proper adjustment, or the clutch does not work properly, the cable or clutch friction discs may be worn. See your Honda dealer or refer to official Honda Shop Manual.

# Engine Idle Speed and Air-Fuel Mixture

---

The best way to assure proper carburetion is to see your Honda dealer for regularly scheduled servicing, including carburetor adjustment.

Remember, idle speed adjustment is not a “cure-all” for other problems in your engine’s fuel-delivery system. Adjusting the idle will not compensate for a fault elsewhere.

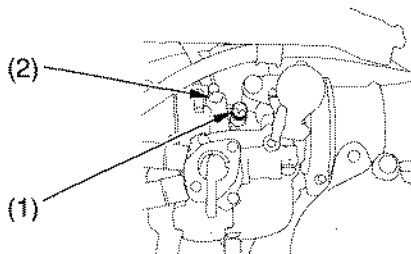
The engine must be at normal operating temperature for accurate idle speed adjustment.

For information about high altitude carburetor adjustment, see page 174.

## Idle Speed Adjustment

Refer to *Safety Precautions* on page 84.

LEFT SIDE



(1) throttle stop screw

(2) air screw

1. If the engine is cold, start it and warm it up with ten minutes of stop-and-go riding. Stop the engine.
2. Park your ATV on a firm, level surface.
3. Connect a tachometer to the engine.
4. Shift into neutral. Start the engine.
5. Adjust idle speed using a screwdriver to turn the throttle stop screw (1). Idle speed (in neutral):  
 $1,600 \pm 100 \text{ min}^{-1} (\text{rpm})$

# Engine Idle Speed and Air-Fuel Mixture

---

## Air-Fuel Mixture Adjustment

1. Turn the air screw (2) clockwise until you hear the engine miss or decrease in speed.
2. Then turn the screw counterclockwise until the engine misses or decreases in speed again.
3. Centre the air screw exactly between the two extreme positions.  
Usually, the correct setting (between extremes of rich and lean) will be found at 1-7/8 turns open from a fully closed position.
4. If idle speed changes after adjusting the fuel mixture, readjust the throttle stop screw.

# Spark Plug

---

## Spark Plug Recommendation

standard spark plug	CR7HSA (NGK) or U22FSR-U (DENSO)
for cold climate (below 5°C, 41°F)	CR6HSA (NGK) or U20FSR-U (DENSO)
for extended high speed riding	CR8HSA (NGK) or U24FSR-U (DENSO)

Use only the recommended type of spark plug in the recommended heat range.

### NOTICE

*Using spark plugs with an improper heat range can cause engine damage.*

## Spark Plug Replacement & Inspection

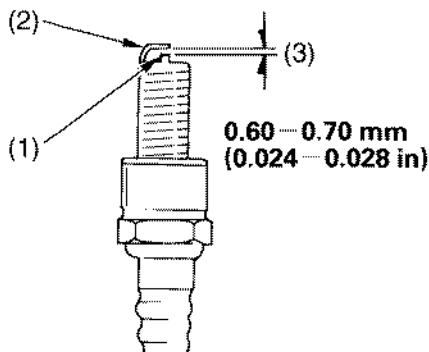
Refer to *Safety Precautions* on page 84.

1. Clean any dirt from around the spark plug base.
2. Disconnect the spark plug cap. Take care to avoid damaging the spark plug wire when disconnecting the cap.
3. Using the spark plug wrench provided in the tool kit, remove the spark plug.



# Spark Plug

4. Inspect the electrodes and centre porcelain for deposits, corrosion, or carbon fouling. If the corrosion or deposits are heavy, replace the plug. Clean a carbon or wet-fouled plug with a plug cleaner, if available, or a wire brush. Inspect the spark plug electrodes for wear. The centre electrode (1) should have a flat tip and sharp edges, and the side electrode (2) should not be eroded. If the electrodes and insulator tip appear unusually fouled or burned, we suggest that you contact your Honda dealer.
5. Discard the spark plug if there is apparent wear or if the insulator is cracked or chipped.
6. Using a wire-type feeler gauge, check the spark plug gap (3). If adjustment is necessary, bend the side electrode carefully.  
The gap should be:  
0.60–0.70 mm (0.024–0.028 in)



(1) centre electrode  
(2) side electrode

(3) spark plug gap

# Spark Plug

---

7. With the plug washer attached, thread the spark plug in by hand to prevent cross-threading.
8. Tighten the spark plug:
  - If the old plug is good:
    - 1/8 turn after it seats.
  - If installing a new plug, tighten it twice to prevent loosening:
    - a) First, tighten the plug:
      - NGK: 1 turn after it seats.
      - DENSO: 3/4 turn after it seats.
    - b) Then loosen the plug.
    - c) Next, tighten the plug again:
      - 1/8 turn after it seats.

## NOTICE

*Improperly tightened spark plug can damage the engine. If a plug is too loose, a piston may be damaged. If a plug is too tight, the threads may be damaged.*

9. Reinstall the spark plug cap. Take care to avoid pinching any cables or wires.

## Valve Inspection

Refer to *Safety Precautions* on page 84 .

Valve clearance should be:

0.05 mm (0.002 in)

Excessive clearance will cause noise. Insufficient clearance will cause loss of power and possibly damage the valves.

For those who are mechanically proficient and have the proper tools, instructions on adjusting valve clearances are given in the official Honda Shop Manual. All others should have valves adjusted by your Honda dealer.

# Spark Arrester

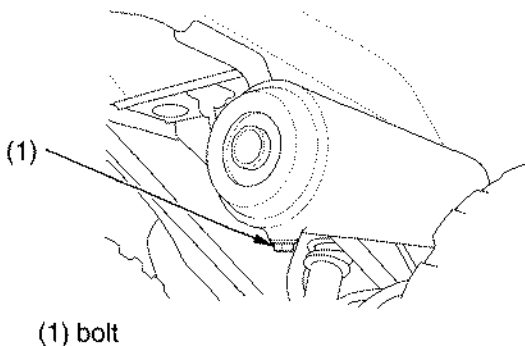
---

Refer to *Safety Precautions* on page 84.

The exhaust system must be periodically purged of accumulated carbon. To purge the system:

1. Select a well-ventilated area free of combustible materials and make sure the exhaust pipe is cool.
2. Remove the bolt (1).
3. Start the engine and rev it up approximately twenty times while momentarily creating exhaust system back pressure by blocking the end of the muffler with a shop towel.
4. Stop the engine and allow the exhaust pipe to cool.
5. Reinstall the bolt securely.

REAR



# Brakes

The mechanical drum brakes on your ATV dissipate heat generated by the friction of the brake shoes on the drums as the wheels are slowed.

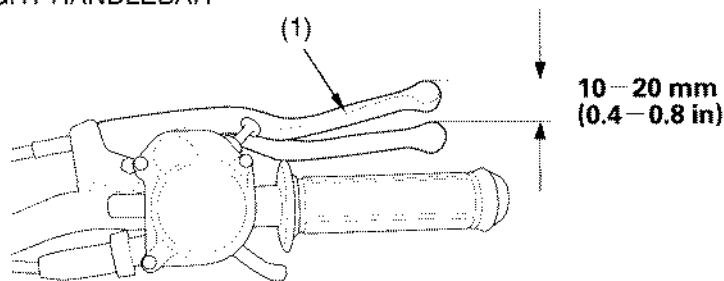
If the brake lever or brake pedal freeplay does not feel within the normal range while riding, check the brake shoes for wear (page 124). Worn shoes should be replaced.

## Front Brake Lever Freeplay

Refer to *Safety Precautions* on page 84.

### Inspection

#### RIGHT HANDLEBAR



#### (1) front brake lever

Measure the distance the brake lever moves before the brakes start to take hold. Freeplay, measured at the tip of the front brake lever (1) should be:

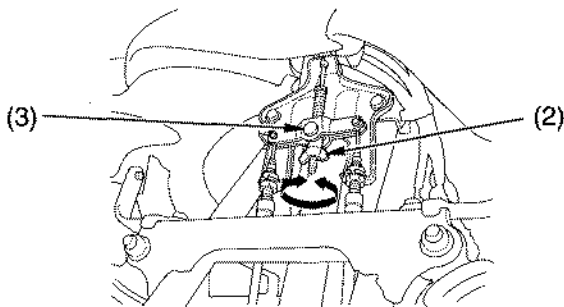
10-20 mm (0.4-0.8 in)

# Brakes

---

## Adjustment

### UNDER FRONT FENDER



(2) front brake lever adjusting nut

(3) brake arm pin

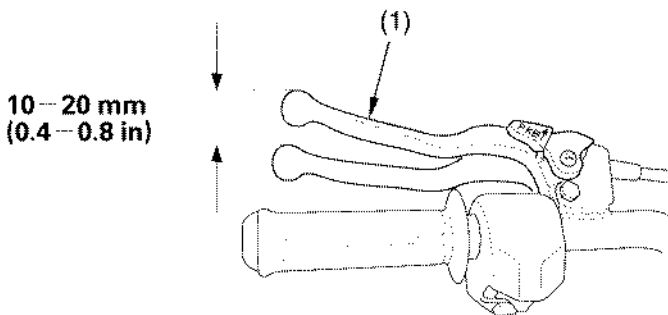
Turn the front brake lever adjusting nut (2), located under the front fender. Make sure the cutout on the adjusting nut is properly seated on the brake arm pin (3).

## Rear Brake Lever and Pedal Freeplay

Refer to *Safety Precautions* on page 84 .

### Lever Inspection

#### LEFT HANDLEBAR



(1) rear brake lever/parking brake lever

Measure the distance the rear brake lever/parking brake lever ( 1 ) moves before the brake starts to take hold. Freeplay, measurement at the tip of the end of the brake lever, should be:

10-20 mm (0.4-0.8 in)

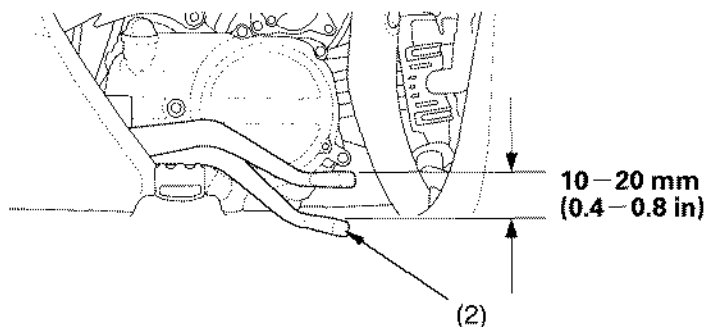
If necessary, adjust to the specified range.

# Brakes

---

## Pedal Inspection

### RIGHT SIDE



(1) rear brake pedal

Measure the distance the rear brake pedal (2) moves before the brake starts to take hold. Freeplay, measurement at the tip of the end of the pedal, should be:

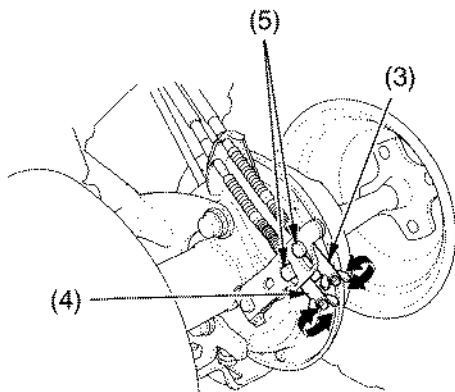
10–20 mm (0.4–0.8 in)

If necessary, adjust to the specified range.



## Adjustment

### REAR



(3) brake lever adjusting nut  
(4) brake pedal adjusting nut

(5) brake arm pin

Turn the brake lever adjusting nut (3) and the brake pedal adjusting nut (4), located on the brake operating rod at the rear of the frame. Make sure the cutout on the adjusting nut is properly seated on the brake arm pin (5).

### **Other Inspections**

- Check that the brake lever and brake pedal assemblies are positioned properly and the securing bolts are tight.
- Make sure that the brake cables, brake arm, spring, and fasteners are in good condition.

# Brakes

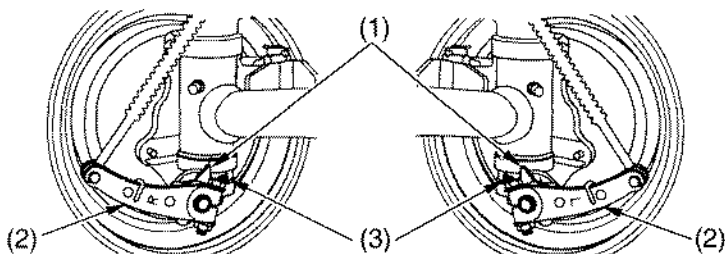
## Brake Shoe Wear

Refer to *Safety Precautions* on page 84.

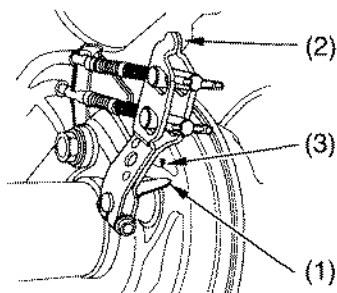
The front and rear brake are equipped with external brake wear indicators that lets you check brake wear without disassembly. Application of the brake control (lever or pedal) causes the arrow on the brake arm to move toward a reference mark on the brake panel.

RIGHT FRONT

LEFT FRONT



REAR



(1) arrow  
(2) brake arm

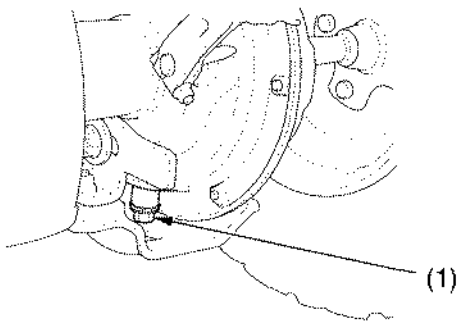
(3) reference mark

1. Apply the brake control (lever and pedal) and check the movement of the arrow ( 1 ) on the brake arm ( 2 ).
2. Replace the brake shoe if the arrow aligns with the reference mark ( 3 ) on the brake panel upon full application of the brake. If replacement is necessary, see your Honda dealer.

## Draining Water from Brakes

Refer to *Safety Precautions* on page 84.

### REAR



(1) brake drain bolt

1. Make sure the engine is off and the parking brake is set.
2. Remove the rear brake drain bolt ( 1 ) from the bottom of the rear brake panel.

If any water drains, see your Honda dealer as soon as possible for a check of the rear brake system and the left crankcase cover for water intrusion.

# Tyres

---

To safely operate your ATV, your tyres must be the proper type and size, in good condition with adequate tread, and correctly inflated.

## **⚠ WARNING**

Using tyres that are excessively worn or improperly inflated can cause a crash in which you can be seriously hurt or killed.

Follow all instructions in this owner's manual regarding tyre inflation and maintenance.

This ATV is equipped with low pressure tubeless tyres. Although the tyres are designed specifically for off-road use, they are not immune to punctures. Always select your riding area with care.

The following pages give detailed information on how and when to check your air pressure, how to inspect your tyres for wear and damage, and our recommendations for tyre repair and replacement.

## Air Pressure

Refer to *Safety Precautions* on page 84 .

Properly inflated tyres provide the best combination of handling, tread life, and riding comfort. Generally, underinflated tyres wear unevenly, adversely affect handling, and are more likely to fail from being overheated. Overinflated tyres make your ATV ride harshly, are more prone to damage from surface hazards, and wear unevenly.

Make sure the valve stem caps are secure. If necessary, install a new cap.

# Tyres

---

Always check air pressure when your tyres are “cold.” If you check air pressure when your tyres are “warm” — even if your ATV has only been ridden for a few miles — the readings will be higher. If you let air out of warm tyres to match the recommended cold tyre pressures, the tyres will be underinflated. Be sure to check tyre pressure at the riding site, since changes in altitude can affect air pressure.

The recommended “cold” tyre pressures are:

	FRONT	REAR
RECOMMENDED PRESSURE	20 kPa (0.20 kgf/cm <sup>2</sup> , 2.9 psi)	20 kPa (0.20 kgf/cm <sup>2</sup> , 2.9 psi)
MAXIMUM PRESSURE	23 kPa (0.23 kgf/cm <sup>2</sup> , 3.3 psi)	23 kPa (0.23 kgf/cm <sup>2</sup> , 3.3 psi)
MINIMUM PRESSURE	17 kPa (0.17 kgf/cm <sup>2</sup> , 2.5 psi)	17 kPa (0.17 kgf/cm <sup>2</sup> , 2.5 psi)

A manually operated tyre pump should be used rather than the high pressure system found in service stations. This will minimize the possibility of tyre damage from overinflation. If you use a high pressure system at a service station, add air in small amounts and check the pressure increase frequently to prevent possible tyre damage from overinflation.

## **⚠ WARNING**

Operating this ATV with improper tyres, or with uneven tyre pressure may cause loss of control, and you could be seriously injured or killed.

- Always use the size and type tyres specified in this owner's manual for this vehicle.
- Always maintain proper tyre pressure as described in this owner's manual.

## **Inspection**

Refer to *Safety Precautions* on page 84.

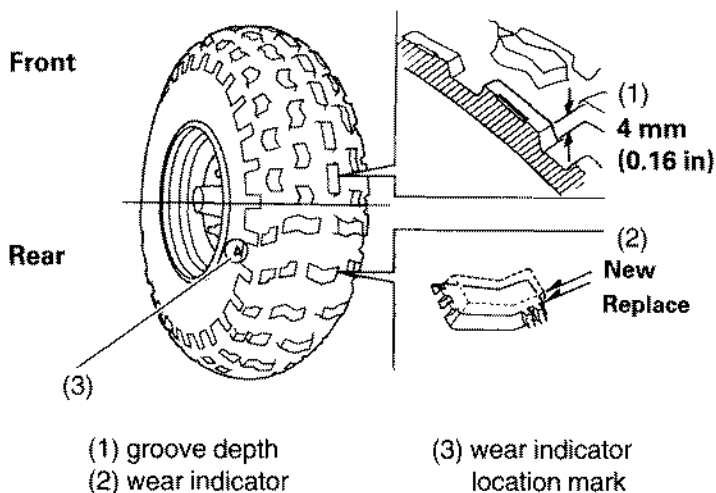
Whenever you check the tyre pressures, you should also look for:

- Bumps or bulges in the side of the tyre or the tread. Replace any tyre that has a bump or bulge.
- Cuts, slits, or cracks in the tyres. Replace the tyre if you can see fabric or cord.
- Nails or other foreign objects embedded in the side of the tyre or tread.
- Excessive tread wear.

# Tyres

Also, if you hit a pothole or other hard object while riding, stop as soon as you safely can and carefully inspect the tyres for damage.

## Tread Wear



To check the condition of a tyre tread, measure the groove depth (1) in the centre of the tyre, or check the wear indicator (2). For best performance, you should replace a tyre before the tread depth at the centre reaches the following limits:

front	4 mm (0.16in)
rear	4 mm (0.16in)

If the wear indicators are visible, replace the tyre immediately as it is no longer safe.



## Tyre Repair

Refer to *Safety Precautions* on page 84 .

A tyre that is repaired, either temporarily or permanently, will have lower speed and performance limits than a new or undamaged tyre.

A temporary repair can sometimes be made in an emergency situation. However, since a temporary repair may not hold, you must ride very slowly, preferably without any cargo, and have the tyre replaced or permanently repaired as soon as possible. (For more information on temporary repairs, see *If You Have a Flat Tyre*, page 161 .)

A permanent repair, such as an internal plug patch, can be made if a tyre has only a small puncture in the tread area. However you may not be able to safely carry as much weight. If you choose to have a tyre repaired, be sure the repair work is performed by a professional.

If you have a tyre professionally repaired at a non-Honda facility, we recommend that you have the work checked by your Honda dealer.

# Tyres

---

## Tyre Replacement

Refer to *Safety Precautions* on page 84.

The tyres that came on your ATV were designed to match the performance capabilities of your ATV and provide the best combination of handling, braking, and comfort.

It is best to replace all four tyres, however if that is not possible, you must replace the tyres in pairs (front or rear) with tyres of the same size and type as the originals. Never replace just one tyre.

### **WARNING**

Installing improper tyres on your ATV can affect handling and stability. This can cause a crash in which you can be seriously hurt or killed.

Always use the size and type of tyres recommended in this owner's manual.

The recommended tyres for your ATV are:

front	AT 20 × 7-8 ★ CHENG SHIN MAXXIS M953
rear	AT 19 × 8-8 ★ CHENG SHIN MAXXIS M954

When you replace a tyre, remember:

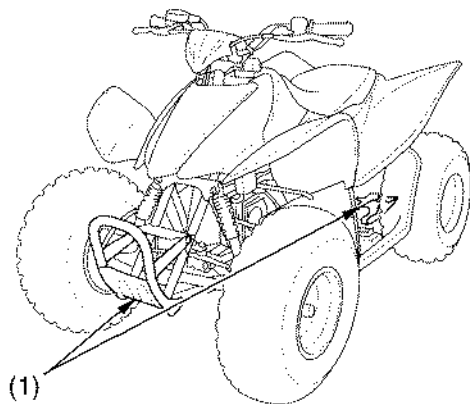
Have the tyre replaced by your Honda dealer if possible.

If you have a tyre professionally replaced at a non-Honda facility, we recommended that you have the work checked by your Honda dealer.

# Skid Plates

---

Refer to *Safety Precautions* on page 84.



(1) skid plates

The skid plates (1) protect the frame/lower arm, the drive components and the rear brake. Check the plates for cracks, damage or looseness at intervals shown in the Maintenance Schedule.

Have the skid plates replaced if they are cracked or damaged. If the plate bolts are loose, tighten them securely.

# Drive Chain

---

Refer to *Safety Precautions* on page 84.

An endless (riveted master link) chain connects the countershaft and rear wheel sprockets. The O-ring chain uses rubber rings between the side plates of the pin and roller links to seal in the manufacturer-installed lubricating grease and keep out moisture and dirt.

The service life of the chain depends on proper lubrication and adjustment. Poor maintenance can cause premature wear or damage to the drive chain or sprockets.

Under severe usage, or when the ATV is ridden in unusually dusty or muddy areas, more frequent maintenance will be necessary.

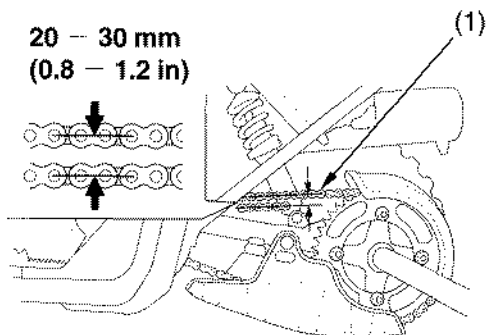
Before servicing your drive chain, turn the engine OFF and check that your transmission is in neutral.

It is not necessary to remove or replace the drive chain to perform the recommended service in the Maintenance Schedule.

# Drive Chain

## Inspection

### LEFT SIDE



(1) drive chain

1. Measure the amount of chain slack midway between the sprockets. Drive chain slack should allow the following vertical movement by hand:  
20—30 mm (0.8—1.2 in)
2. Check drive chain slack at several points along the chain. The slack should remain constant. If it isn't, some links may be kinked and binding. Lubricating the chain will often eliminate binding and kinking.

### NOTICE

*Excessive chain slack may allow the drive chain to damage the engine cases.*

# Drive Chain

---

3. Inspect the drive chain for:
- damaged rollers
  - loose pins
  - dry or rusted links
  - kinked or binding links
  - excessive wear
  - damaged or missing O-rings

Replace the drive chain (page 141) if it has damaged rollers, loose pins, or kinks that cannot be freed. Lubricate the drive chain (page 140) if it appears dry or shows signs of rust. Lubricate any kinked or binding links and work them free. Adjust chain slack if needed.

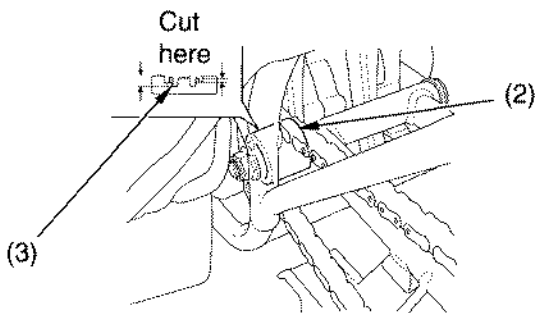
4. Check the drive chain slider (2) at the intervals specified in the Maintenance Schedule.

The chain slider must be replaced if it is worn to the wear limit line (3). For replacement, see your Honda dealer.

Replace the slider when the depth of the grooves reaches the limit.

Service limit:

6.0 mm (0.24 in)



(2) drive chain slider

(3) wear limit line

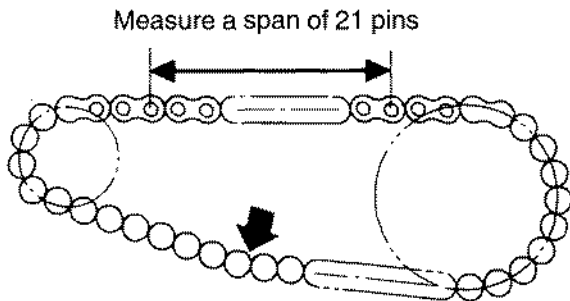
## Drive Chain

---

5. With the upper or lower section of drive chain tight between the sprockets measure the distance between a span of 21 pins from pin centre to pin centre. If the distance exceeds the service limit, the chain is worn out and should be replaced.

Service limit:

268 mm (10.6 in)

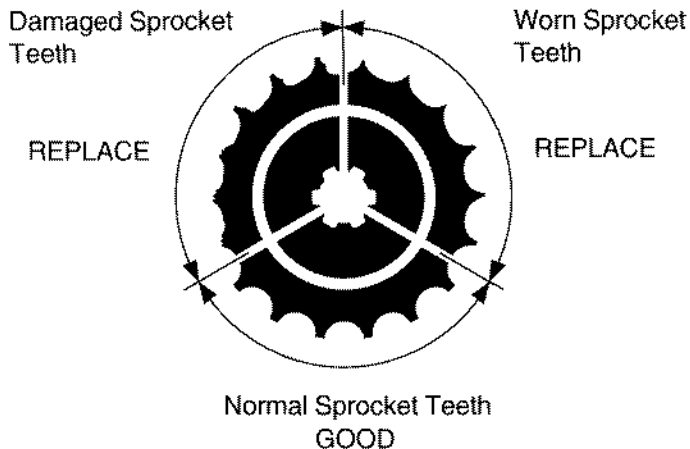


(cont'd)

# Drive Chain

---

6. Inspect the front and rear sprocket teeth for excessive wear or damage. If necessary, have your Honda dealer replace a worn sprocket.



## NOTICE

*Use of a new chain with worn sprockets will cause rapid chain wear.*



# Drive Chain

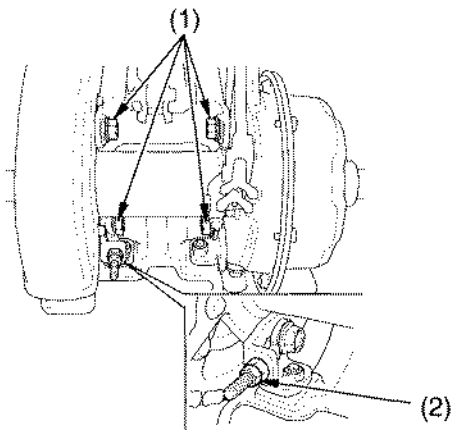
## Adjustment

Refer to *Safety Precautions* on page 84 .

1. To adjust slack, loosen the rear axle holder fixing bolts (1).
2. Turn the adjusting nut (2) to decrease or increase chain slack.
3. Retighten the rear axle holder fixing bolts.
4. Rear axle holder fixing bolts torque:  
88 N·m (9.0 kgf·m, 65 lbf·ft)

If a torque wrench is not used for this installation, see your Honda dealer as soon as possible to verify proper assembly.

### REAR



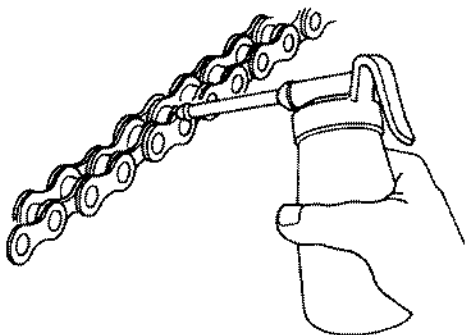
- (1) rear axle holder fixing bolts  
(2) adjusting nut

# Drive Chain

---

## Lubrication

Refer to *Safety Precautions* on page 84 .



Lubricate every 30 days of riding or sooner if chain appears dry.

Lubricate only with SAE 80 or 90 gear oil. Commercial chain lubricants may contain solvents which could damage the rubber O-rings.

## Removal, Cleaning & Replacement

Refer to *Safety Precautions* on page 84.

Your ATV has an endless (riveted master link) type chain. It should only be removed or replaced by your Honda dealer.

The O-rings can be damaged by steam cleaning, high pressure washers, and certain solvents.

1. Clean the side surfaces of the chain with a dry cloth. Use a high flashpoint solvent such as kerosene — not petrol.  
Do not brush the rubber O-rings.  
Brushing will damage them. Use of a solvent may also damage the O-rings.
2. Inspect the drive chain for possible wear or damage.

Replace the drive chain if it has damaged rollers, loose fitting links, damaged O-rings, or otherwise appears unserviceable.

Replacement Chain:

DID428V — 98LE or RK HOZ1 — 98LE

# Battery

---

Your ATV has a maintenance-free type battery. You do not have to check the battery electrolyte level or add distilled water as you would with a conventional-type battery.

## NOTICE

*Your battery is a maintenance-free type and can be permanently damaged if the cap strip is removed.*

Electrical accessories use current from the battery — even when the ignition is OFF. Limited operation also allows the battery to discharge. If you have electrical accessories on your ATV — or do not ride frequently, we recommend that you charge the battery frequently (see *Battery Charging*, page 145 ).

If you do not expect to ride your ATV for at least two weeks, we recommend you remove the battery — or at least disconnect the battery cables (negative cable first).

If you plan to store your ATV, see *Battery Storage*, page 143 .

If your battery seems weak and/or is leaking electrolyte (causing slow starting or other electrical problems), see your Honda dealer.

## Battery Storage

Refer to *Safety Precautions* on page 84.

If you plan to store your ATV, we recommend you remove the battery and store it where it can be charged at least every 30 days to maintain its service life.

If you do not remove the battery, we recommend disconnecting the battery cables (negative cable first).

You will get the best storage results from removing the battery and slow (trickle) charging it every 30 days (see *Battery Charging*, page 145 ).

Before you remove the battery, be sure to read all the information that follows, as well as the information on the battery label.

### **⚠ WARNING**

The battery gives off explosive hydrogen gas during normal operation.

A spark or flame can cause the battery to explode with enough force to kill or seriously hurt you.

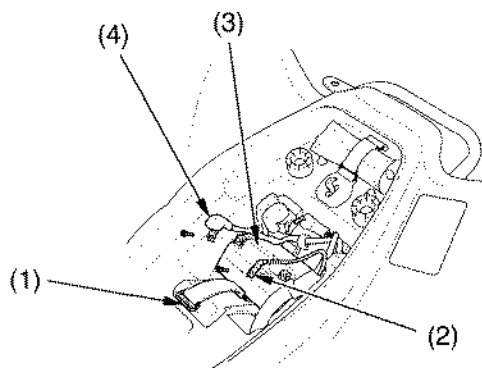
Wear protective clothing and a face shield, or have a skilled mechanic do the battery maintenance.

# Battery

---

The battery is located in a compartment under the seat.

## UNDER SEAT



(1) rubber band

(2) negative ( - ) terminal lead

(3) battery

(4) positive ( + ) terminal lead

## Removal

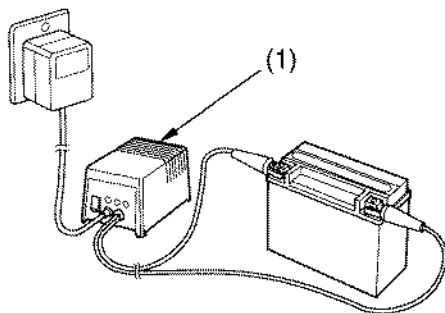
1. Make sure the ignition switch is OFF (  $\bigcirc$  ).
2. Remove the seat ( page 95 ).
3. Release the rings and remove the rubber band ( 1 ).
4. Disconnect the negative ( - ) terminal lead ( 2 ) from the battery ( 3 ) first, then disconnect the positive ( + ) terminal lead ( 4 ).
5. Remove the battery.
6. Charge the battery ( see following section ), unless you have been riding regularly.
7. Store your battery in an easy-to-reach location off the floor, in an area protected from freezing temperature and direct sunlight.
8. Clean the battery box after removing the battery for storage. Dry the battery box and, if paint is missing, re-paint the area.
9. Slow charge the battery ( see following section ) once every 30 days.

## Installation

1. Reinstall in the reverse order of removal.  
Be sure to connect the positive (+) terminal first, then the negative (-) terminal.
2. Check all bolts and other fasteners are secure.

## Battery Charging

Refer to *Safety Precautions* on page 84 .



(1) "trickle" charger

Be sure to read the information that came with your battery charger and follow the instructions on the battery. Improper charging may damage the battery.

We recommend using a "trickle" charger (1) for home charging. These units can be left connected for long periods without risking damage to the battery. However, do not intentionally leave the charger connected longer than the time period recommended in the charger's instructions.

Avoid using an automotive-type battery charger. An automotive charger can overheat an ATV battery and cause premature damage.

# Appearance Care

---

Frequent cleaning and polishing will keep your Honda looking newer longer.

Frequent cleaning also identifies you as an owner who values his ATV. A clean ATV is also easier to inspect and service.

## General Recommendations

Refer to *Safety Precautions* on page 84.

- To clean your ATV, you may use:
  - water
  - a mild, neutral detergent and water
  - a mild spray and wipe cleaner/polisher
  - a mild spray and rinse cleaner/degreaser and water
- Avoid products that contain harsh detergents or chemical solvents that could damage the metal, paint, and plastic on your ATV.
- If your ATV is still warm from recent operation, give the engine and exhaust system time to cool off.
- Park in a shady area. Washing your ATV in bright sunlight may cause the finish to fade because water droplets intensify the sun's brightness.
- Spotting is also more likely because surface water can dry before you have time to wipe it off.
- Clean your ATV regularly to protect surface finishes.
- We recommend the use of a garden hose to wash your ATV. High pressure washers (like those at coin-operated car washers) can damage certain parts of your ATV.

### NOTICE

*High pressure water (or air) can damage certain parts of your ATV.*

- After cleaning, inspect for damage, wear, and leaks (fuel and oil).



# Appearance Care

---

## Washing Your ATV with a Mild Detergent

Refer to *Safety Precautions* on page 84.

1. Rinse your ATV thoroughly with cool water to remove loose dirt.
2. Fill a bucket with cool water. Mix in a mild, neutral detergent, such as dish washing liquid or a product made especially for washing motorcycles or automobiles.
3. Wash your ATV with a sponge or soft towel. As you wash, check for heavy grime. If necessary, use a mild cleaner/degreaser to remove the grime.
4. After washing, rinse your ATV thoroughly with plenty of clean water to remove any residue. Detergent residue can corrode alloy parts.
5. Dry your ATV with a chamois or a soft towel. Leaving water on the surface to air dry can cause dulling and water spots. As you dry, inspect for chips and scratches.
6. Start the engine and let it idle for several minutes. The engine heat will help dry moist areas.
7. As a precaution, ride your ATV at a slow speed and apply the brakes several times. This will help dry the brakes and restore normal braking performance.

# Appearance Care

---

## Spray Cleaning Your ATV

Refer to *Safety Precautions* on page 84.

Avoid using spray cleaner products on the tyres or suspension components.

Suggestions for using spray cleaner(s) follow:

<b>ATV condition</b>	<b>Recommended Cleaning</b>
Dust and fingerprint smudges.	Apply a spray cleaner/polish and wipe paint, chrome, glass, and clear plastic.
Light road grimes.	Spray any difficult-to-reach or very dirty areas with a spray cleaner/degreaser. Rinse and dry. Apply a spray cleaner/polish and wipe with a non-abrasive cloth.
Heavy grime. Oil leaks. Brake dust.	Use a spray cleaner/degreaser. If necessary, rub with a sponge. Rinse and dry. Apply a spray cleaner/polish and wipe with a non-abrasive cloth.
Dull, corroded chrome or aluminum.	Apply a high quality chrome/aluminum polish and wipe with a non-abrasive cloth.

## Finishing Touches

Refer to *Safety Precautions* on page 84.

After washing your ATV, consider using a commercially-available spray cleaner/polish or quality liquid or paste wax to finish the job. Use only a non-abrasive polish or wax made specifically for motorcycles or automobiles. Apply the polish or wax according to the instructions on the container.

Here's helpful advice on how to prepare for an off-road adventure, how to transport and store your Honda, and how to be an environmentally responsible ATV owner.

Preparing for a Ride .....	152
What to Take to The Riding Area .....	152
What to Take on The Trail .....	153
Transporting Your Honda .....	154
Storing Your Honda .....	156
Preparation for Storage .....	157
Removal from Storage .....	159
You & the Environment .....	160

# Preparing for a Ride

---

A safe and enjoyable ride begins with good planning and preparation. Always ride with at least one other person in case you have trouble, and let someone know where you're going and when you expect to return.

Before riding in an unfamiliar area, find out in advance if you need special permits, get maps so you can study the terrain, and talk to other riders who know the area.

## What to Take to the Riding Area

Along with your ATV and riding gear, you should take along some tools and supplies in case you have a problem. For some of the difficulties you might encounter, see *Taking Care of the Unexpected*, which begins on page 161.

We recommend that you always take water, food, a first aid kit, and your owner's manual. Other items you should consider loading on your truck or trailer include:

- a tool kit
- tyre repair supplies and tools, and tyres
- extra parts, control levers, cables, and spark plugs
- wire, duct tape, and rope
- extra petrol

For safety, all refueling should be done at a gas station on the way to the riding area or at your base camp.

# Preparing for a Ride

---

## What to Take on the Trail

What you take with you during a ride depends on the kind of terrain, how long you expect to ride, how far you might go from your base camp or help, and how experienced you or your companions are in making repairs.

If you decide to take some tools, spare parts, or other supplies on the trail, be sure you can carry them safely and know how to use them. Also, be sure to follow the loading guidelines and weight limit (page 39).

# Transporting Your Honda

---

Do not tow your ATV behind a car or other vehicle.

When you transport your ATV, we recommend that you carry the vehicle in its normal operating position (on all four wheels). Do not incline the vehicle upright on its rear end. This can damage the vehicle, and leaking gasoline could be a hazard.

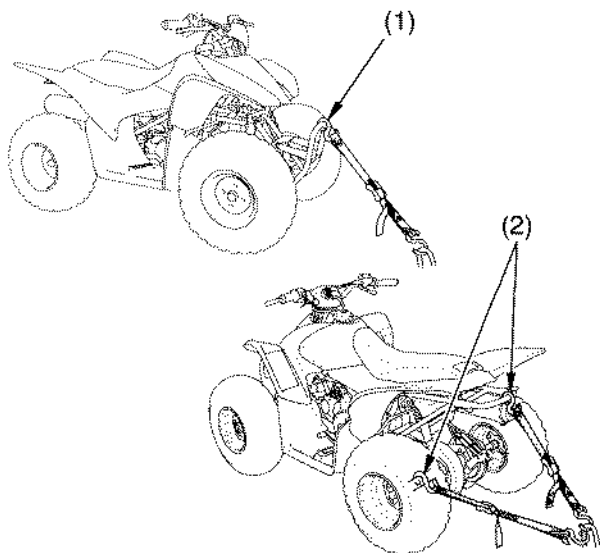
Follow these procedures:

1. Set the parking brake and place the transmission in gear.
2. Turn the fuel valve OFF.

# Transporting Your Honda

---

- Secure the vehicle with "tie-down straps" in the areas shown.
  - Suitable "tie-down straps" are available from your Honda dealer.
  - Ordinary rope is not recommended because it can stretch under load.
  - Using "tie-down straps" in any other areas can damage your ATV.
- Rock the vehicle back and forth to make sure the "tie-down straps" are tight and the vehicle is secure.



(1) front carry pipe

(2) rear carry pipe or rear axle shaft



## **Storing Your Honda**

---

If you won't be riding for an extended period, such as during the winter, thoroughly inspect your ATV and correct any problem before storing it. That way, needed repairs won't be forgotten and it will be easier to get your ATV running again.

We suggest you perform the following procedures to keep your ATV in top condition. These storage procedures will reduce the deterioration that can occur during storage.

# Storing Your Honda

---

## Preparation for Storage

Refer to *Safety Precautions* on page 84.

This procedure requires a means for draining and disposing of drained fuel (page 160).

1. Change the engine oil (page 103).
2. Fill the fuel tank. Make sure the fuel fill cap is properly installed.
3. Check that the fuel valve is OFF.
4. Drain the carburetor into an approved petrol container and dispose of it in an approved manner (page 160).

If storage will last longer than one month, carburetor draining is important, to assure proper performance after storage.

### **WARNING**


Petrol is highly flammable and explosive. You can be burned or seriously injured when handling fuel.

- Stop the engine and keep heat, sparks and flame away.
- Handle fuel only outdoors.
- Wipe up spills immediately.

(cont'd)

## Storing Your Honda

---

- To prevent rusting in the cylinders, perform the following:
  - Remove the spark plug cap from the spark plug.
  - Remove the spark plug.  
Do not connect the spark plug to the spark plug cap.
  - Pour a tablespoon (15 – 20 cm<sup>3</sup>) of clean engine oil into cylinder and cover the spark plug hole with a piece of cloth.
  - With the engine stop switch in the RUN (  ) position, press the start button several times to crank the engine and distribute the oil.
  - Reinstall the spark plug and spark plug cap.
- Remove the battery and charge it fully. Store it in an area protected from freezing temperatures and direct sunlight. Slow charge the battery (page 145) once a month.

### **WARNING**

The battery gives off explosive hydrogen gas during normal operation.

A spark or flame can cause the battery to explode with enough force to kill or seriously hurt you.

Wear protective clothing and a face shield, or have a skilled mechanic do the battery maintenance.

- Wash and dry your ATV. Wax all painted surfaces.
- Lubricate the drive chain (page 140).

# Storing Your Honda

---

9. Inflate the tyres to their recommended pressures (page 128).
10. Store your ATV in an unheated area, free of dampness, away from sunlight, with a minimum of daily temperature variation.
11. Place your ATV on blocks to lift all tyres off the floor.
12. Cover your ATV with a porous material. Avoid using plastic or similar non-breathing, coated materials that restrict air flow and allow heat and moisture to accumulate.

## Removal from Storage

Refer to *Safety Precautions* on page 84 .

1. Uncover and clean your ATV.
2. If your ATV has been stored for more than four months — change the engine oil (page 103).
3. If your ATV has been stored for more than two months — ask your Honda dealer to drain and replace the fuel.
4. Charge the battery (page 145) as required. Install the battery.
5. Lubricate the drive chain (page 140).
6. Perform a pre-ride inspection (page 36 ), then test-ride your ATV at low speeds.

# You & the Environment

---

Owning and riding an ATV can be enjoyable, but you must do your part to protect nature. When you show respect for the land, wildlife, and other people, you also help preserve the sport of off-road riding.

Following are tips on how you can be an environmentally-responsible ATV owner.

- **Tread Lightly.** Stay on existing roads and trails, avoid surfaces that are easily damaged, and ride only in areas approved for off-road vehicles.
- **Keep the Noise Down.** Loud vehicles can be offensive. Ride as quietly as possible, don't remove your spark arrester, and don't modify the muffler or any other part of your air intake and exhaust systems. Such modifications not only increase noise, they also reduce engine performance and may be illegal.
- **Choose Sensible Cleaners.** Use a biodegradable detergent when you wash your ATV. Avoid aerosol spray cleaners that contain chlorofluorocarbons (CFCs) which damage the atmosphere's protective ozone layer. Don't throw cleaning solvents away; see the following guidelines for proper disposal.
- **Recycle Wastes.** It's illegal and thoughtless to put used engine oil in the trash, down a drain, or on the ground. Used oil, petrol, and cleaning solvents contain poisons that can hurt refuse workers and contaminate our drinking water, lakes, rivers, and oceans. Before changing your oil, make sure you have the proper containers. Put oil and other toxic wastes in separate sealed containers and take them to a recycling centre. Call your local office of public works or environmental services to find a recycling centre in your area, and to get instructions on how to dispose of non-recyclable wastes.

# Taking Care of the Unexpected

---

With all the challenges you can encounter off-road, there's a chance that sometime something may go wrong. This section gives practical advice to help you deal with a wide range of problems. Take time to read this section before you ride. Also review the tips in *Preparing for a Ride* (page 148).

General Guidelines.....	162
If Your Engine Quits or Won't Start.....	164
If You Have a Flat Tyre .....	167
If a Fuse Blows .....	170
If You Crash.....	173
If You Lose Your Key .....	174
If the Battery Is Low (or Dead) .....	175
If a Component Fails.....	176

# Taking Care of the Unexpected

---

## General Guidelines

Keeping your ATV well-maintained is the best way to reduce the possibility of having a problem while riding. However, problems can arise even with well-maintained machines.

Remember to take along your owner's manual, the tool kit that came with your ATV, and any other items (such as tyre repair supplies and additional tools) that might help you solve a problem on your own.

If something goes wrong during a ride, the first thing to do is stop as soon as you safely can. Do not continue riding if you have a flat tyre, or you hear an unusual noise, or your ATV just doesn't feel right. If you continue riding, you could cause more damage and endanger your own safety.

After a stop, take time to assess the situation. Carefully inspect your ATV to identify the problem, then consider your options before you decide what to do.

If a problem is relatively minor and you have the tools, supplies, and skills to make a permanent repair, you may be able to fix it on the trail and continue riding. Or, you may be able to make a temporary repair that allows you to slowly ride back to your base where you can make a permanent repair or get help.

When a problem is more serious — or you don't have the tools, supplies, experience, or time to deal with it — you need to choose the safest way to get yourself and your ATV back to base. For example, if you are close enough, you (or you and another person) might be able to push it back.

# Taking Care of the Unexpected

---

Should you ever have a problem while riding, please follow these guidelines:

- Always put personal safety first.
- Take time to assess the situation and your options before deciding what to do.
- If the problem is relatively minor and you have the tools, supplies, and skills to make a temporary repair, be sure to have permanent repairs made as soon as possible.
- Do not continue riding if you are hurt or your ATV is not in safe riding condition.

Additional recommendations for specific problems follow.



## **If Your Engine Quits or Won't Start**

Proper operation and maintenance can prevent starting and engine performance problems. In many cases, the cause of the problem may be a simple operational oversight.

If you have a problem starting the engine — or experience poor engine performance — the following information may help you. If you can't correct the problem, see your Honda dealer.

If your ATV won't start, listen as you press the start button. If you don't hear the starter motor turning, refer to the *Starter motor doesn't operate* symptom. If you can hear the starter motor working normally, refer to the *Starter motor works, but the engine won't start* symptom.

# If Your Engine Quits or Won't Start

SYMPTOM: <b>Starter motor doesn't operate.</b>	
POSSIBLE CAUSE	WHAT TO DO
ignition switch OFF	Turn the ignition switch ON.
transmission not in neutral	Shift into neutral.
blown fuse	Replace with a new fuse of the same rating (page 170 ).
battery lead loose	Tighten the battery lead.
dead battery	Charge the battery (page 145). If charging doesn't help, see your Honda dealer.
faulty starter motor	If all possible causes are negative, the starter motor may be faulty. See your Honda dealer.

SYMPTOM: <b>Starter motor works, but the engine won't start.</b>	
POSSIBLE CAUSE	WHAT TO DO
engine stop switch OFF	Turn the engine stop switch to RUN.
out of fuel	Fill the fuel tank.
flooded engine	See <i>Flooded Engine</i> (page 59 ).
loose or unconnected spark plug cap	Install the spark plug cap securely. If the engine still won't start, see your Honda dealer.
loose battery cables	Tighten the battery terminal bolts.
weak battery	Charge the battery (page 145 ). If charging doesn't help, see your Honda dealer.

## If Your Engine Quits or Won't Start

SYMPTOM: <b>Engine starts, but runs poorly.</b>	
POSSIBLE CAUSE	WHAT TO DO
idles roughly, too fast, stalls	Check engine idle adjustment (page 112). If the problem persists, see your Honda dealer.
poor engine performance at altitudes above 1,000 m.	Ask your Honda dealer to modify the carburetion with a high altitude jet. Refer to <i>High Altitude Carburetor Adjustment</i> , page 184.
runs erratically, misfires	See your Honda dealer.
blubbers (rich fuel mixture)	See your Honda dealer.
sooty exhaust (rich fuel mixture)	See your Honda dealer.
detonates or pings under load	If applicable, switch to the recommended octane petrol (page 96) or change your brand of petrol. If the problem persists, see your Honda dealer.
afterfires (backfires)	See your Honda dealer.
pre-ignition (runs on after ignition switched OFF)	See your Honda dealer.

## If You Have a Flat Tyre

---

How you handle a flat tyre on the trail depends on how serious the tyre damage is, and what tools and supplies you have with you.

If you have a slow leak or a minor puncture, use the plug method to make a temporary repair. (The plug method is applied from the outside of the tyre and is the same as that for conventional tubeless tyres.)

A plug-type repair kit, available at most auto parts stores or service stations, provides a plug, an installation tool, tyre cement, and an instruction sheet. Follow the instructions provided with the repair kit to make a temporary repair.

As soon as possible, have the tyre permanently repaired by your Honda dealer. Any tyre that cannot be repaired should be replaced.

Whenever the ATV is to be operated far from service facilities or available transportation, we recommend that you carry a tyre pump and a repair kit with the vehicle.

If the leak is more serious, or a temporary repair doesn't hold, the tyre must be replaced. The tyre will also need to be replaced if it is damaged (page 131). Replacing a tyre involves removing and re-installing the wheel (page 162).

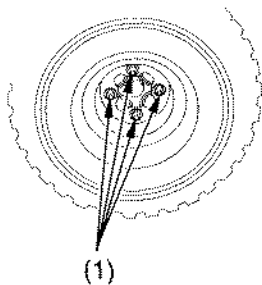
If you are unable to repair a flat tyre on the trail, you will need to send for help. We strongly recommend that you do not try to ride with a flat tyre. The ATV will be hard to handle, and if the tyre comes off the rim, it may lock up the wheel and cause you to crash.

# If You Have a Flat Tyre

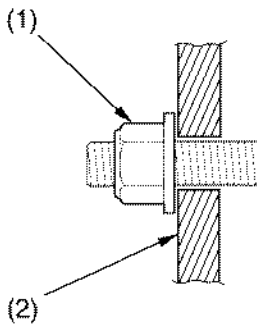
---

## Emergency Wheel Removal/Installation

Refer to *Safety Precautions* on page 84.



(1) wheel nuts



(2) wheel rim

### Removal

1. Park your ATV on a firm, level surface.
2. Raise the front (or rear) wheels off the ground and place a support block under the vehicle.
3. Remove the wheel nuts (1).
4. Remove the wheel.

# If You Have a Flat Tyre

---

## Installation

1. Position the wheel.
2. Position the wheel nuts so that the tapered sides face the wheel rim (2).
3. Tighten the wheel nuts in a crisscross (rather than a circular) pattern to the specified torque:  
54 N·m (5.5 kgf·m , 40 lbf·ft)

If a torque wrench was not used for installation, see your Honda dealer as soon as possible to verify proper assembly. Improper assembly may lead to loss of braking capability.

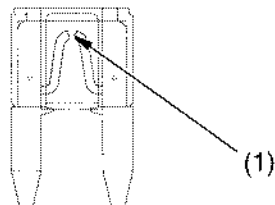
# If a Fuse Blows

---

All of the electrical circuits on your ATV have a fuse to protect them from damage caused by excess current flow (short circuit or overload).

If something electrical on your ATV stops working, the first thing you should check for is a blown fuse (1).

Check the fuse before looking elsewhere for another possible cause of the problem. Replace a blown fuse and check component operation.



(1) blown fuse

The fuse is located next to the air cleaner case cover behind the seat.

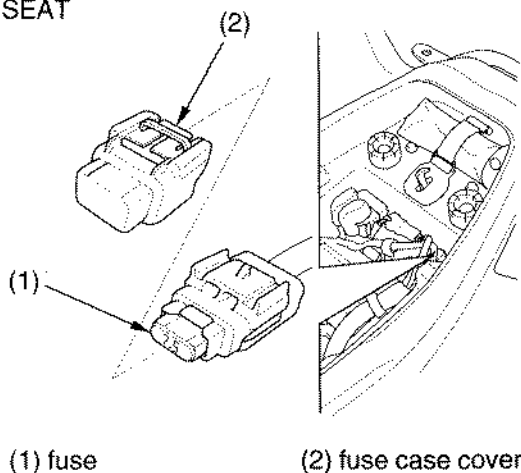
## Recommended Fuse

main fuse	7.5A
-----------	------

# If a Fuse Blows

## Main Fuse Access

### UNDER SEAT



(1) fuse

(2) fuse case cover

1. To prevent an accidental short circuit, turn the ignition switch OFF (  $\bigcirc$  ) before checking or replacing the fuse.
2. To access the fuse ( 1 ), remove the seat ( page 95 ).
3. Remove the fuse case cover ( 2 ).
4. Replace the old fuse.
5. Reinstall the fuse case cover.
6. Install the seat.



## If a Fuse Blows

---

If you do not have a replacement fuse with the proper rating for the circuit, install one with a lower rating.

<b>NOTICE</b>
---------------

*Replacing a fuse with one that has a higher rating greatly increases the chance of damage to the electrical system.*

## If You Crash

---

Personal safety is your first priority after an accident. If you or anyone else has been injured, take time to assess the severity of the injuries and whether it is safe to continue riding. If you cannot ride safely, send someone for help. Do not ride if you will risk further injury.

If you decide you are capable of riding safely, carefully inspect your ATV for damage and determine if it is safe to ride. Check the tightness of critical nuts and bolts securing such parts as the handlebar, control levers, brakes, and wheels.

If there is minor damage, or you are unsure about possible damage but decide to try riding the ATV back to your base, ride slowly and cautiously.

Sometimes, crash damage is hidden or not immediately apparent. When you get home, thoroughly check your ATV and correct any problems you find. Also, be sure to have your Honda dealer check the frame and suspension after any serious crash.

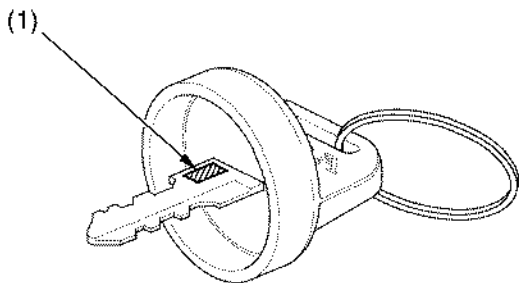
## If You Lose Your Key

---

Be sure to record your key number (1) at following space. You'll need this number to have a duplicate key made.

If you lose your key and aren't carrying a duplicate, either get your spare or have one made. If you don't know your key number, call the dealer you purchased your Honda from. They may have it listed in their records. If they don't, transport your ATV to them or the nearest Honda dealer. The dealer will probably have to remove the ignition switch assembly to find the key number so they can make a key for you.

KEY NO. \_\_\_\_\_



(1) key number

## **If the Battery Is Low (or Dead)**

---

Jump starting is not recommended, especially if you use an automobile battery. The greater amperage of an automobile battery when the car engine is running can damage your ATV's electrical system.

Bump starting is also not recommended.

If you can't charge the battery or it appears unable to hold a charge, contact your Honda dealer.

## If a Component Fails

---

The brake levers or pedal, control cables, and other components can be damaged as you ride in dense brush or over rocky terrain. Making a trailside repair depends on how serious the damage is and what tools and supplies you have with you.

- If any component of the brake system is damaged, you may be able to ride carefully back to your base using the other brake components for slowing or stopping.
- If you damage a throttle cable or other critical component, your ATV may be unsafe to ride. Carefully assess the damage and make any repairs that you can. But if there is any doubt, it's best to be conservative and safe.

# Technical Information

---

This section contains dimensions, capacities, and other technical data, plus information on government requirements and how to break-in your ATV.

Vehicle Identification.....	178
Specifications.....	180
Break-in Guidelines .....	183
High Altitude Carburetor Adjustment.....	184
Petrol Containing Alcohol.....	185

# Vehicle Identification

---

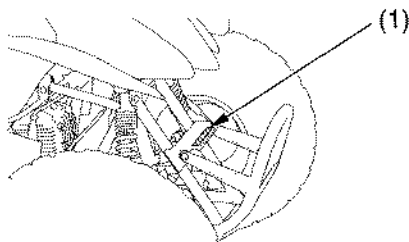
## Serial Numbers

The frame and engine serial numbers and key number may be required when ordering replacement parts. Record the numbers here for your reference.

The frame number ( 1 ) is stamped on the front of the frame.

FRAME NO. \_\_\_\_\_

FRONT

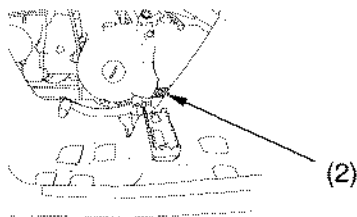


(1) frame number

The engine number ( 2 ) is stamped on the lower side of the rear crankcase.

ENGINE NO. \_\_\_\_\_

LEFT SIDE



(2) engine number

# Vehicle Identification

---

## Colour Label & Code

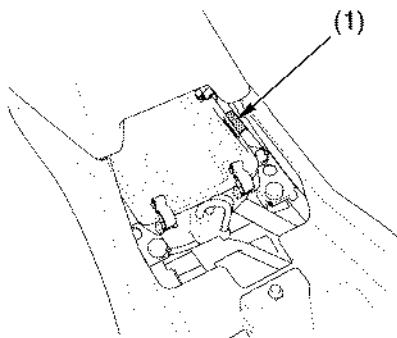
The colour label ( 1 ) is attached to the frame under the seat. Remove the seat (page 95 ) to check the label.

The colour code is helpful when ordering replacement parts. Record the colour and code here for your reference.

COLOUR \_\_\_\_\_

CODE \_\_\_\_\_

UNDER SEAT



(1) colour label



# Specifications

<b>Dimensions</b>	
overall length	1,489 mm (58.6 in)
overall width	895 mm (35.2 in)
overall height	928 mm (36.5 in)
wheelbase	983 mm (38.7 in)
ground clearance	100 mm (3.9 in)

<b>Fuel &amp; Lubricants</b>	
fuel recommendation	unleaded petrol, research octane number of 91 or higher
fuel tank capacity	7.5 ℓ (1.98 US gal , 1.65 Imp gal) including reserve
fuel tank reserve	1.3 ℓ (0.34 US gal , 0.29 Imp gal)
engine oil capacity	after disassembly: 0.9 ℓ (1.0 US qt , 0.8 Imp qt) after draining: 0.7 ℓ (0.7 US qt , 0.6 Imp qt)
engine oil recommendation	API Service Classification SE, SF or SG. Honda 4-stroke oil or an equivalent.

# Specifications

<b>Capacities</b>	
passenger capacity	operator only
maximum weight capacity	85 kg (187 lbs) rider and all accessories

<b>Engine Specifications</b>	
displacement	85.8 cm <sup>3</sup> (5.23 cu-in)
bore & stroke	47 × 49.5 mm (1.85 × 1.95 in)
compression ratio	9.2 : 1
spark plug (standard)	CR7HSA (NGK) or U22FSR-U (DENSO)
spark plug (cold climate)	CR6HSA (NGK) or U20FSR-U (DENSO)
spark plug (high speed riding)	CR8HSA (NGK) or U24FSR-U (DENSO)
spark plug gap	0.60 – 0.70 mm (0.024 – 0.028 in)
valve clearance (cold)	0.05 mm (0.002 in)
idle speed	1,600 ± 100 min <sup>-1</sup> (rpm)

<b>Power Transmission</b>		
primary reduction		4.058
final reduction		3.846
gear ratio	1st	2.833
	2nd	1.937
	3rd	1.300
	4th	0.958
final drive		chain DID 428V – 98LE or RK HOZ1 – 98LE

# Specifications

<b>Chassis &amp; Suspension</b>	
caster	4°
trail	16 mm (0.6 in)
tyre size, front	AT 20 × 7-8 ★ CHENG SHIN MAXXIS M953
tyre size, rear	AT 19 × 8-8 ★ CHENG SHIN MAXXIS M954
tyre pressure, front & rear (cold)	20 kPa (0.20 kgf/cm <sup>2</sup> , 2.9 psi)
maximum tyre pressure, front & rear (cold)	23 kPa (0.23 kgf/cm <sup>2</sup> , 3.3 psi)
minimum tyre pressure, front & rear (cold)	17 kPa (0.17 kgf/cm <sup>2</sup> , 2.5 psi)

<b>Electrical</b>	
battery	12V – 4AH
generator	0.056kW/5,000min <sup>-1</sup> (rpm)

<b>Lights</b>	
neutral indicator lamp	12V – 3.4W

<b>Fuse</b>	
main	7.5A

<b>Torque Specification</b>	
oil drain bolt	24 N·m (2.4 kgf·m , 17 lbf·ft)
wheel nuts	54 N·m (5.5 kgf·m , 40 lbf·ft)

## **Break-in Guidelines**

---

Help assure your ATV's future reliability and performance by paying extra attention to how you ride during the first operating day or 25 km (15 miles).

During this period, avoid full-throttle starts and rapid acceleration.

# High Altitude Carburetor Adjustment

---

Your engine's air-fuel mixture becomes overly rich when operated at high altitudes. Above 1,000 m (3,000 feet), a rich mixture can cause driveability problems, reduce engine performance, and increase fuel consumption. To compensate, you can have the carburetor adjusted for high altitude riding. See your Honda dealer.

A high altitude jet is available to compensate for high altitude richness. For those who are mechanically proficient and have the necessary tools, installation and adjustment procedures are given in the official Honda Shop Manual available from your Honda dealer. All others should have this carburetor modification performed by a Honda dealer.

However, the carburetor must be returned to standard factory specifications before riding again at lower altitudes (below 1,500 m, 4,500 feet).

Sustained riding at lower altitudes with the lean high-altitude setting may cause rough idling, stalling, or engine damage from overheating.

Altitude range	Main jet	Air screw	Throttle stop screw
0–1,500 m (0–5,000 feet)	No. 82	Factory preset	Factory preset
1,000–2,500 m or higher (3,000–8,000 feet)	No. 80	Screw in 3/8 turn counterclockwise from factory preset	Screw in 1/16 turn clockwise from factory preset

## Petrol Containing Alcohol

---

If you decide to use a petrol containing alcohol (gasohol), be sure its octane rating is at least as high as that recommended above.

There are two types of gasohol: One contains ethanol, and the other contains methanol. Do not use gasohol that contains more than 10% ethanol. Do not use gasohol that contains methanol (methyl or wood alcohol) unless it also contains cosolvents and corrosion inhibitors for methanol. Never use petrol containing more than 5% methanol, even if it has cosolvents and corrosion inhibitors.

Engine performance problems resulting from the use of fuels that contain alcohol are not covered under the warranty. Honda cannot endorse the use of fuels containing methanol since evidence of their suitability is not yet complete.

Before buying fuel from an unfamiliar station, try to find out if the fuel contains alcohol. If it does, confirm the type and percentage of alcohol used. If you notice any undesirable operating symptoms while using a petrol that contains alcohol, or one that you think contains alcohol, switch to a petrol that you know does not contain alcohol.

# Table of Contents

---

The following presents the contents of each section of your owner's manual.

<b>ATV SAFETY .....</b>	<b>1</b>
Important Safety Information .....	2
Important Message to Parents .....	5
Safety Labels.....	9
<b>INDICATOR &amp; CONTROLS.....</b>	<b>13</b>
Operation Component Locations .....	14
Indicator .....	17
Neutral Indicator Lamp.....	17
Operating Controls .....	18
Fuel Valve.....	18
Choke Lever.....	19
Ignition Switch.....	20
Start Button .....	21
Engine Stop Switch.....	22
Throttle lever.....	23
Front Brake Lever .....	24
Rear Brake Lever .....	24
Rear Brake Pedal.....	25
Parking Brake.....	26
Flag Pole Bracket.....	27

# Table of Contents

---

<b>BEFORE RIDING .....</b>	<b>29</b>
Are You Ready to Ride ? .....	30
Protective Apparel.....	30
Rider Training .....	32
Age Recommendation .....	33
No Passengers .....	33
No Alcohol or Drugs.....	34
Is Your ATV Ready to Ride ?.....	35
Pre-ride Inspection .....	36
Load Limits & Guidelines.....	38
Loading .....	38
Load Limits .....	39
Loading Guidelines .....	39
Accessories & Modifications .....	40
Accessories.....	40
Modifications .....	41



# Table of Contents

---

<b>BASIC OPERATION &amp; RIDING .....</b>	<b>43</b>
Safe Riding Precautions .....	45
Speed Restrictors for New Riders .....	45
Off-Road Use Only .....	49
Keeps Hands and Feet on Controls .....	50
Control Speed.....	51
Use care on Unfamiliar or Rough Terrain.....	52
Do Not Perform Stunts.....	54
Ride Only When Visibility Is Good .....	54
Starting & Stopping the Engine .....	55
Preparation .....	55
Starting Procedure.....	56
Flooded Engine .....	59
How to Stop the Engine .....	59
Shifting Gears .....	60
Braking.....	63
Riding Your ATV .....	66
Making Turns.....	66
Skidding or Sliding .....	68
Riding Up Hills .....	69
Riding Down Hills .....	73
Crossing or Turning on Hills or Slopes.....	74
Riding Over Obstacles .....	76
Riding Through Water .....	77
Parking.....	78

# Table of Contents

---

<b>SERVICING YOUR HONDA</b> .....	<b>79</b>
<i>Before You Service Your Honda</i>	
The Importance of Maintenance .....	81
Maintenance Safety.....	83
Important Safety Precautions .....	84
Maintenance Schedule .....	85
Maintenance Record.....	89
 <i>Service Preparations</i>	
Maintenance Component Locations.....	90
Tool Kit.....	93
Owner's Manual Storage.....	94
Seat Removal .....	95
 <i>Service Procedures</i>	
<u>Fluids &amp; Filters</u>	
Fuel .....	96
Engine oil.....	99
Air Cleaner.....	105
 <u>Engine</u>	
Throttle.....	109
Clutch System .....	111
Engine Idle Speed and Air-Fuel Mixture .....	112
Spark Plug .....	114
Valves.....	117
Spark Arrester .....	118

(cont'd)

# Table of Contents

---

<u>Chassis</u>	
Brakes.....	119
Tyres .....	126
Skid Plates.....	133
Drive Chain.....	134
<u>Electrical</u>	
Battery.....	142
Appearance Care.....	146
<b>TIPS.....</b>	<b>151</b>
Preparing for a Ride.....	152
What to Take to the Riding Area .....	152
What to Take on the Trail .....	153
Transporting Your Honda .....	154
Storing Your Honda.....	156
Preparation for Storage .....	157
Removal from storage.....	159
You & the Environment.....	160
<b>TAKING CARE OF THE UNEXPECTED.....</b>	<b>161</b>
General Guidelines.....	162
If Your Engine Quits or Won't Start.....	164
If You Have a Flat Tyre .....	167
If a Fuse Blows .....	170
If You Crash.....	173
If You Lose Your Key .....	174
If the Battery Is Low (or Dead).....	175
If a Component Fails.....	176

# Table of Contents

---

<b>TECHNICAL INFORMATION.....</b>	<b>177</b>
Vehicle Identification.....	178
Specifications.....	180
Break-in Guidelines .....	183
High Altitude Carburetor Adjustment .....	184
Petrol Containing Alcohol.....	185
<b>TABLE OF CONTENTS.....</b>	<b>186</b>
<b>INDEX.....</b>	<b>192</b>

# Index

---

## A

accessories .....	40
age recommendation .....	33
air cleaner,	
filter .....	105
air pressure,	
gauge .....	93
tyre .....	127
altitude, high .....	184
apparel, protective .....	30
appearance care .....	146

## B

Battery .....	142
Brakes,	
cables .....	123
draining water from .....	125
front brake lever .....	24
front brake lever freeplay .....	119
parking .....	26
rear brake lever .....	24
rear brake lever freeplay .....	121
rear brake pedal .....	25
rear brake pedal freeplay .....	122
shoe wear .....	124
braking .....	63
break-in guidelines .....	183

## C

capacity, fuel.....	97
carburetor, altitude adjustment.....	184
care, appearance.....	146
cargo,	
Loading and operational guidelines.....	39
Weight limit.....	39
choke lever.....	19
cleaning, appearance care.....	148
climbing hills.....	69
clutch system.....	111
colour label.....	179
compartment,	
owner's manual.....	94
tool kit.....	93
component fails.....	176
component locations,	
indicator and controls.....	14
maintenance.....	90
crash, if you.....	173
crossing or turning on hills or slopes.....	74

# Index

---

## D

drive chain..... 134

## E

engine  
    flooded ..... 59  
    idle speed..... 112  
    number ..... 168  
    oil ..... 99  
    pinging ..... 96  
    starting..... 55  
    stop switch..... 22  
    stopping..... 59  
    won't start ..... 164  
environment ..... 160  
exhaust system  
    cleaning ..... 36  
    purging..... 118

# Index

## F

flag pole bracket.....	27
flat tyre.....	167
flooded engine.....	59
frame number.....	178
fuel,	
fill cap .....	97
high altitude fuel mixture adjustment.....	184
recommendation.....	96
refueling.....	97
reserve fuel supply .....	97
tank capacity .....	97
valve.....	117
fuses .....	170

## G

gap, spark plug.....	115
gasohol .....	175
gear shifting .....	60



# Index

---

## H

high altitude carburetor adjustment.....	184
hills,	
crossing or turning on slopes .....	74
riding down hills .....	73
riding up hills .....	69
stopping on hills .....	71

## I

identification, vehicle.....	178
idle speed, engine.....	112
ignition switch.....	20
indicator, neutral indicator .....	17
inspection, pre-ride.....	36

## K

key,	
lost.....	174
kit, tool .....	93

## L

labels, safety.....	9
limit, weight .....	38
load limits.....	38
loading guidelines .....	38
location, components, indicator & controls.....	14
maintenance .....	90
lubrication, engine oil.....	99

## M

maintenance, importance.....	81
precautions .....	84
record .....	89
safety.....	83
schedule.....	85
maximum weight limit .....	39
modifications.....	41

# Index

---

## N

neutral indicator .....	17
numbers, serial .....	178

## O

obstacles, riding over .....	76
oil, engine.....	99
operating controls.....	18
owner's manual storage.....	94

## P

parking .....	78
passenger, no carrying.....	33
pavement, no riding on.....	49
petrol .....	96
petrol containing Alcohol.....	185
pinging, engine.....	96
plugs, spark .....	114
pre-ride inspection.....	36
problems, unexpected.....	161
protective apparel.....	30

# Index

---

## R

removal, seat .....	95
rider training.....	32
riding,	
basic operations.....	43
clothing.....	30
precautions .....	45
preparing for .....	152
over obstacles .....	76
safety.....	2
safety precautions.....	45
through water .....	77

## S

safety,	
important precautions .....	84
labels .....	9
riding precautions.....	45
schedule, maintenance.....	85
seat removal .....	95
serial numbers .....	178

(cont'd)

# Index

---

shifting gears.....	60
skid plates.....	133
skidding or sliding.....	68
spark arrester.....	118
spark knock.....	96
spark plug.....	114
specifications.....	180
speed restrictor.....	45
stalling on a hill.....	71
start button.....	21
starting,	
engine.....	55
troubleshooting.....	160
stop switch, engine.....	22
stopping engine.....	59
storage,	
ATV.....	156
owner's manual.....	94
switch, ignition.....	20

# Index

---

## T

throttle,	
cable .....	110
lever .....	23
tyres,	
air pressure .....	127
flat .....	167
replacing .....	132
repairing .....	131
thread conditions .....	130
tool kit .....	93
training, rider .....	32
transporting your ATV .....	154
trouble, unexpected .....	161
troubleshooting, starting .....	164
turning,	
on level ground .....	66
on hills or slopes .....	74

## V

valve, fuel .....	18
valve clearance .....	117

# Index

---

<b>W</b>
----------

warning labels .....	5
washing your ATV .....	147
water,	
riding through.....	77
draining from brakes .....	125
weight limit .....	39
wheel removal .....	168

# HONDA

The Power of Dreams

## WARNING

The improper operation of ATVs may result in severe injury or death

- Read the owner's Manual.
- Follow all warnings and instructions.
- Never use without proper training and instruction.

While riding :

- Never ride too fast for your skills or the conditions.
- Always use proper riding techniques for hills, slopes and rough terrain.
- Use care when changing riding surfaces. ATVs handle differently on different surfaces, such as sand, dirt, or pavement.



- Never carry a passenger, since it would affect balance and steering and may cause you to lose control.



- Avoid operating on public roads, since a collision can occur with another vehicle.



- Never ride after drinking alcohol or using drugs.



- Always wear a helmet, eye protection, and protective gear.