



PARTS CATALOGUE

MTN250 (B041) INDONESIA



1RB04-460E1

()

MTN250
PARTS CATALOGUE
©2015 by Yamaha Motor Co., Ltd.
1st edition, May 2015
All rights reserved.
Any reprinting or unauthorized use
without the written permission of
Yamaha Motor Co., Ltd.
is expressly prohibited.
Printed in Japan.

FOREWORD

This Parts Catalogue is related to the parts for the model(s) on the cover page. When you are ordering replacement parts, please refer to this Parts Catalogue and quote both part numbers and part names correctly.

1. Modifications or additions which have been made after the issue of the Parts Catalogue will be announced in the Parts News.

It is advisable that you make the necessary corrections to the Parts Catalogue according to the Parts News.

2. Abbreviations

The following abbreviations are used in this Parts Catalogue.

“UR” Use specified parts number.

“UN” Use as many as needed.

“AP” Alternate Parts

“LM” Locally Made (Parts need to be ordered locally)

“F#” Frame No. (Applicable machine No.)

“O/S” Over Size

3. The number of components for assembly

- Parts, which are to be supplied in an assembly, are listed with a dot (.) in front of the part name as shown below.
- The numeral appearing to the right of each component part indicates the quantity of parts for each assembly unit.

PART NO.	DESCRIPTION	Q'TY	REMARKS
2F5-83310-60	FRONT FLASHER LIGHT ASSY	2	
115-83311-60	.BULB (6V-18W)	1	

4. Applicable colours of graphics are represented in the “REMARKS” as shown below.

PART NO.	DESCRIPTION	Q'TY	REMARKS
2N4-24110-00-X5	FUEL TANK COMP.	2	MXR
3J1-24240-10	.GRAPHIC, FUEL TANK	1	FOR MXR

5. Note that the illustrations for reference in finding parts numbers are not to be used for assembling. When assembling, please use the applicable service manual.

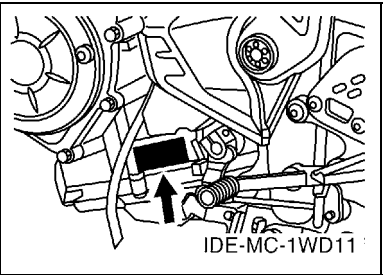
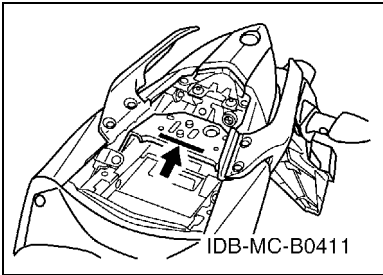
6. The asterisk (*) before a reference number indicates modified items after the first edition.

FOREWORD

7. Applicable Serial No.

Frame Serial No.

Engine Serial No.



8. Applicable Colour Code (The (*) mark shows Model colour.)

Abbreviation	Colour Name	Colour Code
DPBM15	DEEP PURPLISH BLUE METALLIC 15	1329
LGB	LOW GLOSS BLACK	0098
MBL2	MAT BLACK 2	0582
MS1(*)	MAT SILVER 1	1160
RM7(*)	RED METALLIC 7	1218
S8	SILVER 8	0895
SMX(*)	BLACK METALLIC X	0903

9. Applicable Starting Serial No.

Frame Serial No.

Serial No.	Name Of Q'ty Column	Model Code

Engine Serial No.

Serial No.	Name Of Q'ty Column	Model Code

CONTENTS

ENGINE

CYLINDER HEAD	1
CRANKSHAFT & PISTON	3
VALVE	5
CAMSHAFT & CHAIN	6
WATER PUMP	7
RADIATOR & HOSE	8
OIL PUMP	10
INTAKE	11
EXHAUST	13
CRANKCASE	14
CRANKCASE COVER 1	15
STARTER CLUTCH	16
CLUTCH	17
TRANSMISSION	18
SHIFT CAM & FORK	20
SHIFT SHAFT	21

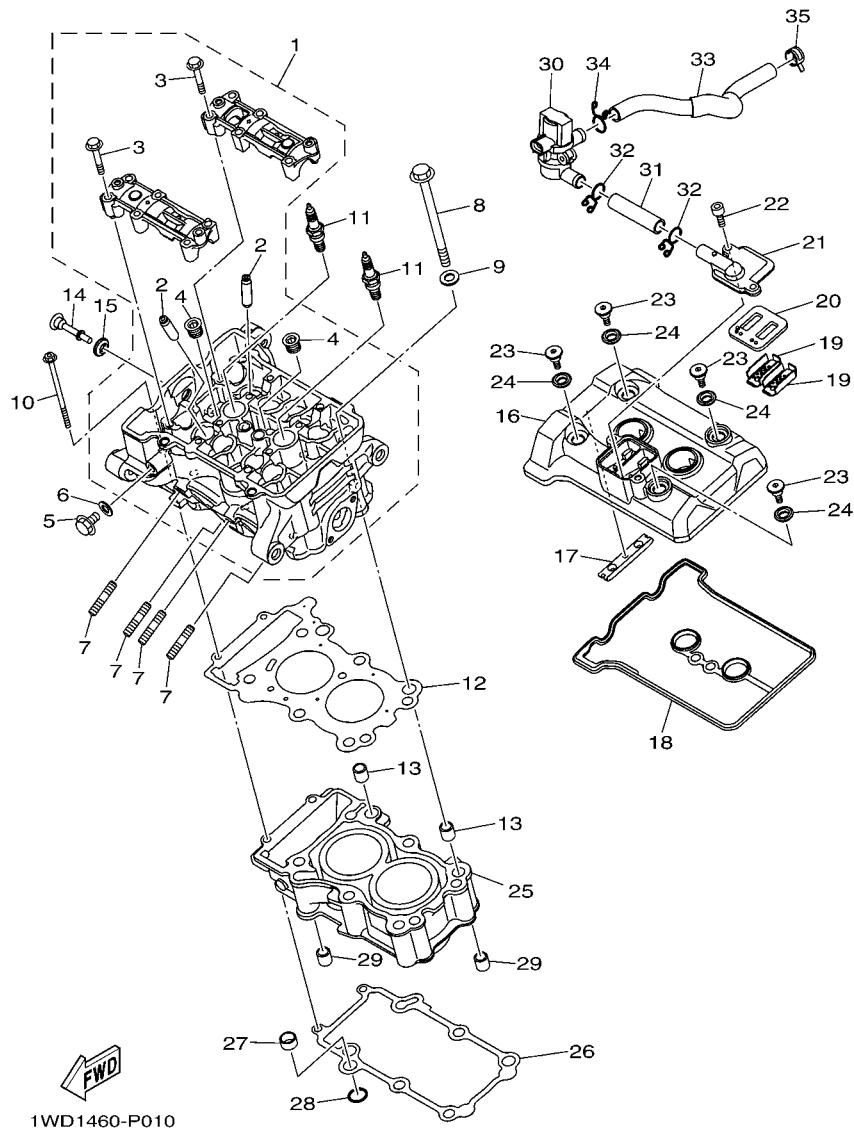
CHASSIS

FRAME	22
FENDER	24
SIDE COVER	26
REAR ARM & SUSPENSION	29
STEERING	30
FRONT FORK	31
FUEL TANK	33
FUEL TANK 2	35
SEAT	38
FRONT WHEEL	40
FRONT BRAKE CALIPER	41
REAR WHEEL	42
REAR BRAKE CALIPER	44
STEERING HANDLE & CABLE	45
FRONT MASTER CYLINDER	46
STAND & FOOTREST	47
REAR MASTER CYLINDER	49
GENERATOR	50
STARTING MOTOR	51
FLASHER LIGHT	52
METER	53
HEADLIGHT	54
TAILLIGHT	56

HANDLE SWITCH & LEVER	57
ELECTRICAL 1	58
ELECTRICAL 2	60

INDEX

NUMERICAL INDEX	62
-----------------------	----



1WD1460-P010

FIG. 1 CYLINDER HEAD

REF. NO.	PART NO.	DESCRIPTION	B041				REMARKS
1	1WD-E1102-10	CYLINDER HEAD ASSY	1				
2	1WD-E1133-10	.GUIDE, VALVE 1	8				
3	90105-06027	.BOLT, FLANGE	12				
4	90340-12813	.PLUG, STRAIGHT SCREW	2				
5	95022-08012	BOLT, FLANGE	1				
6	90430-08119	GASKET	1				
7	95612-08625	BOLT, STUD	4				
8	1WD-E1361-00	BOLT, CYLINDER HOLDING 1	6				
9	90201-10845	WASHER, PLATE	6				
10	90110-06870	BOLT, HEXAGON SOCKET HEAD	2				
11	94700-00318	PLUG, SPARK (NGK R CR9E)	2				
12	1WD-E1181-00	GASKET, CYLINDER HEAD 1	1				
13	99530-14016	PIN, DOWEL	2				
14	90109-06898	BOLT	1				
15	1WD-E111G-00	RUBBER, MOUNT 1	1				
16	1WD-E1191-00	COVER, CYLINDER HEAD 1	1				
17	1WD-E2241-00	GUIDE, STOPPER 2	1				
18	1WD-E1193-00	GASKET, HEAD COVER 1	1				
19	5VY-1482K-00	PLATE	2				
20	1WD-E4890-00	REED VALVE ASSY	1				
21	1WD-E4899-00	CAP, CASE	1				
22	91312-06020	BOLT	2				
23	90109-06899	BOLT	4				
24	1WD-E111G-00	RUBBER, MOUNT 1	4				
25	1WD-E1311-00	CYLINDER 1	1				
26	1WD-E1351-00	GASKET, CYLINDER	1				
27	5NL-12564-00	PIPE, WATER	1				

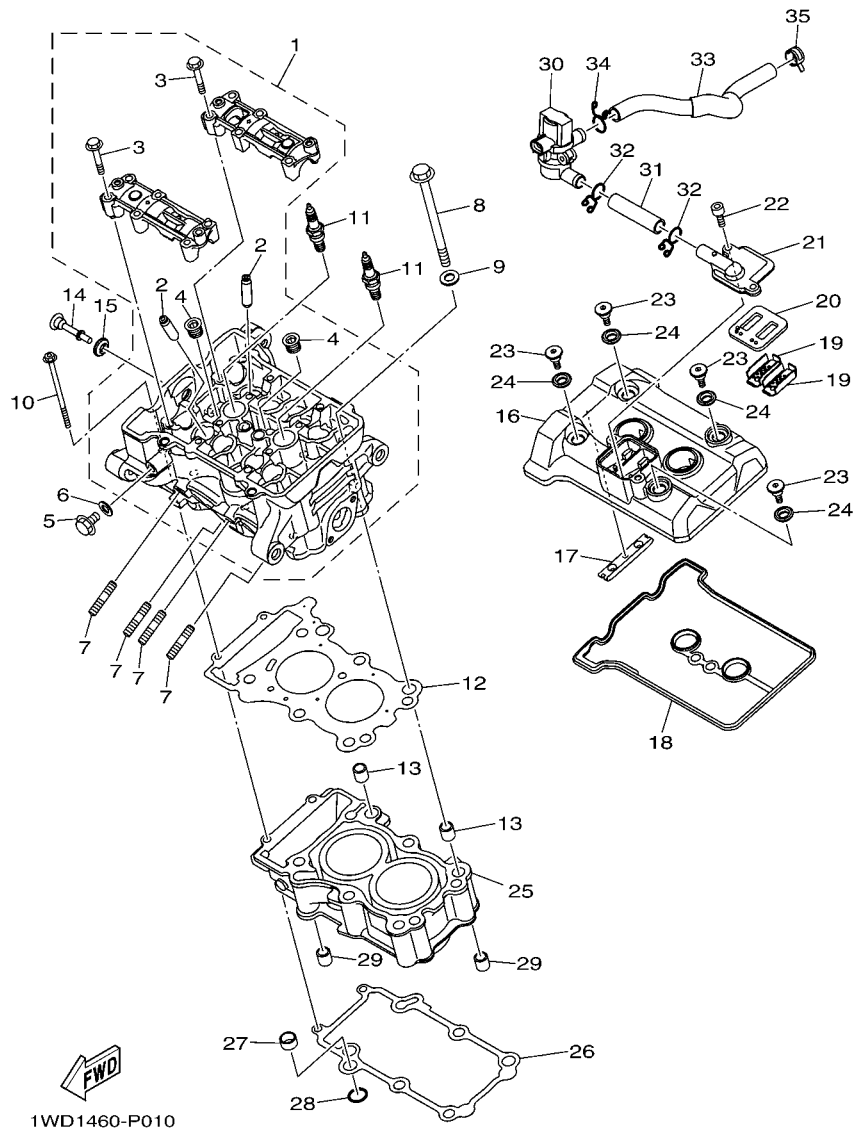


FIG. 1 CYLINDER HEAD

REF. NO.	PART NO.	DESCRIPTION	B041				REMARKS
28	93210-16716	O-RING	1				
29	99530-14016	PIN, DOWEL	2				
30	1WD-E4840-00	AIR CUT VALVE ASSY	1				
31	1WD-E4881-00	HOSE, BEND 1	1				
32	90467-16801	CLIP	2				
33	1WD-E4882-00	HOSE, BEND 2	1				
34	90467-16801	CLIP	1				
35	90467-16800	CLIP	1				

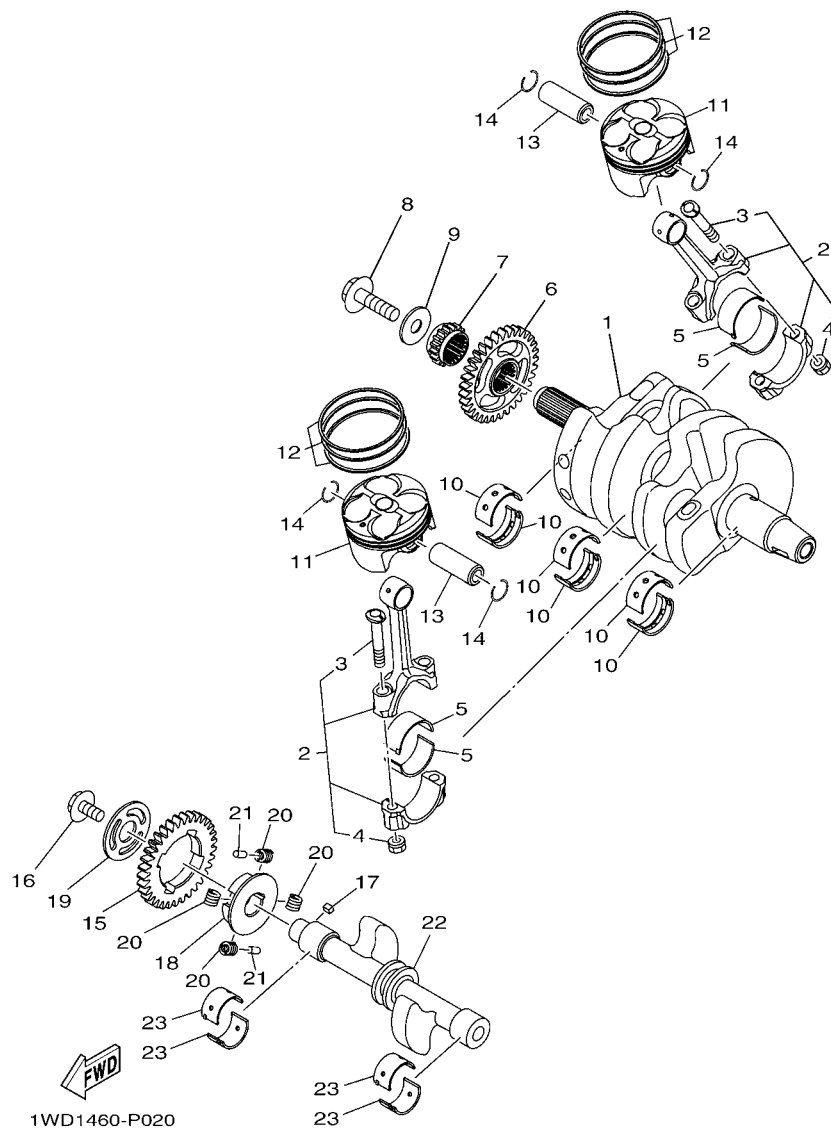


FIG. 2 CRANKSHAFT & PISTON

REF. NO.	PART NO.	DESCRIPTION	B041				REMARKS
1	1WD-11411-00	CRANKSHAFT	1				
2	1WD-11650-00	CONNECTING ROD ASSY	2				
3	5SL-11654-00	.BOLT, CONNECTING ROD	2				
4	90179-07652	.NUT	2				
5	1WD-11656-00	PLANE BEARING, CONNECTING ROD	4				UR BLUE
5	1WD-11656-10	PLANE BEARING, CONNECTING ROD	4				UR BLACK
5	1WD-11656-20	PLANE BEARING, CONNECTING ROD	4				UR BROWN
5	1WD-11656-30	PLANE BEARING, CONNECTING ROD	4				UR GREEN
6	1WD-E1536-00	GEAR, DRIVE	1				
7	1WD-E1549-00	SPROCKET, CAM CHAIN	1				
8	90105-10883	BOLT, FLANGE	1				
9	90201-102R1	WASHER, PLATE	1				
10	1WD-11416-00	PLANE BEARING, CRANKSHAFT 1	6				UR BLUE
10	1WD-11416-10	PLANE BEARING, CRANKSHAFT 1	6				UR BLACK
10	1WD-11416-20	PLANE BEARING, CRANKSHAFT 1	6				UR BROWN
10	1WD-11416-30	PLANE BEARING, CRANKSHAFT 1	6				UR GREEN
10	1WD-11416-40	PLANE BEARING, CRANKSHAFT 1	6				UR YELLOW
11	1WD-E1631-00	PISTON (STD)	2				
12	1WD-E1603-00	PISTON RING SET (STD)	2				
13	1WD-E1633-00	PIN, PISTON	2				
14	93450-16068	CIRCLIP	4				
15	1WD-E1531-00	GEAR, BALANCE WEIGHT	1				
16	90105-088F8	BOLT, FLANGE	1				
17	90282-04036	KEY, STRAIGHT	1				
18	1WD-E1496-00	BOSS, BUFFER	1				
19	90201-16812	WASHER, PLATE	1				
20	90501-22800	SPRING, COMPRESSION	4				

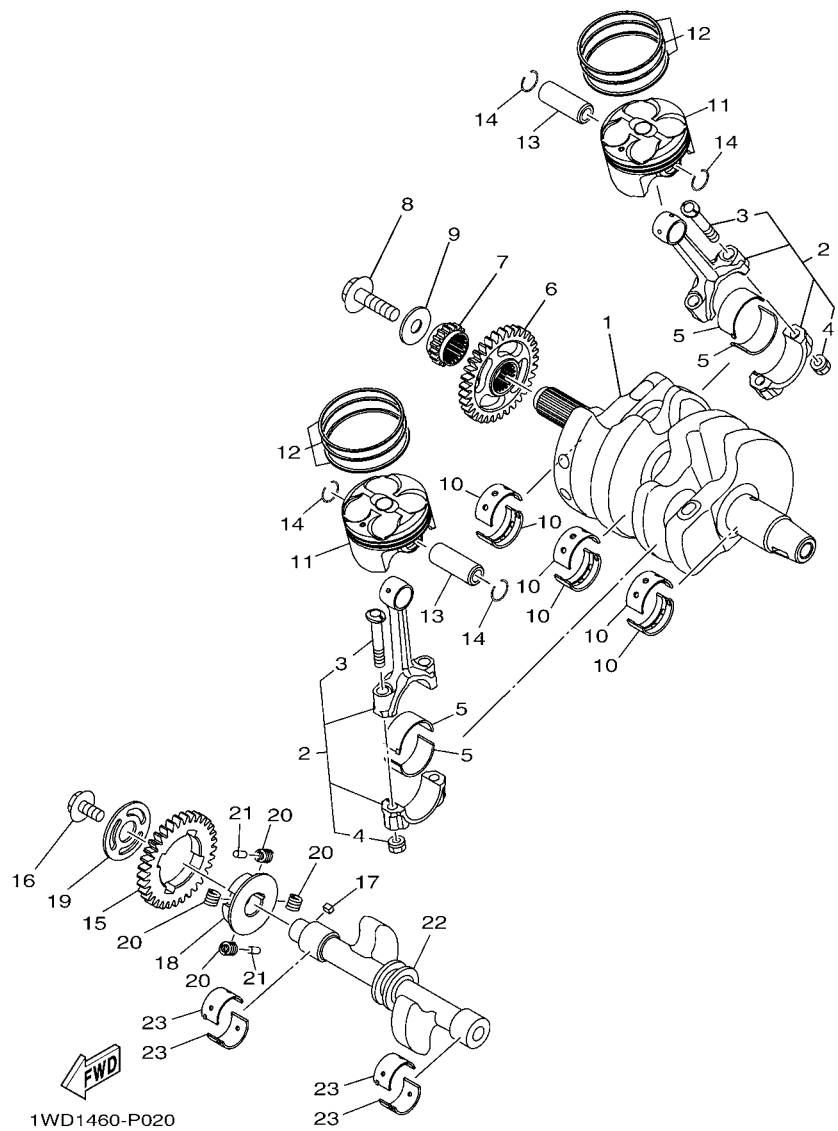
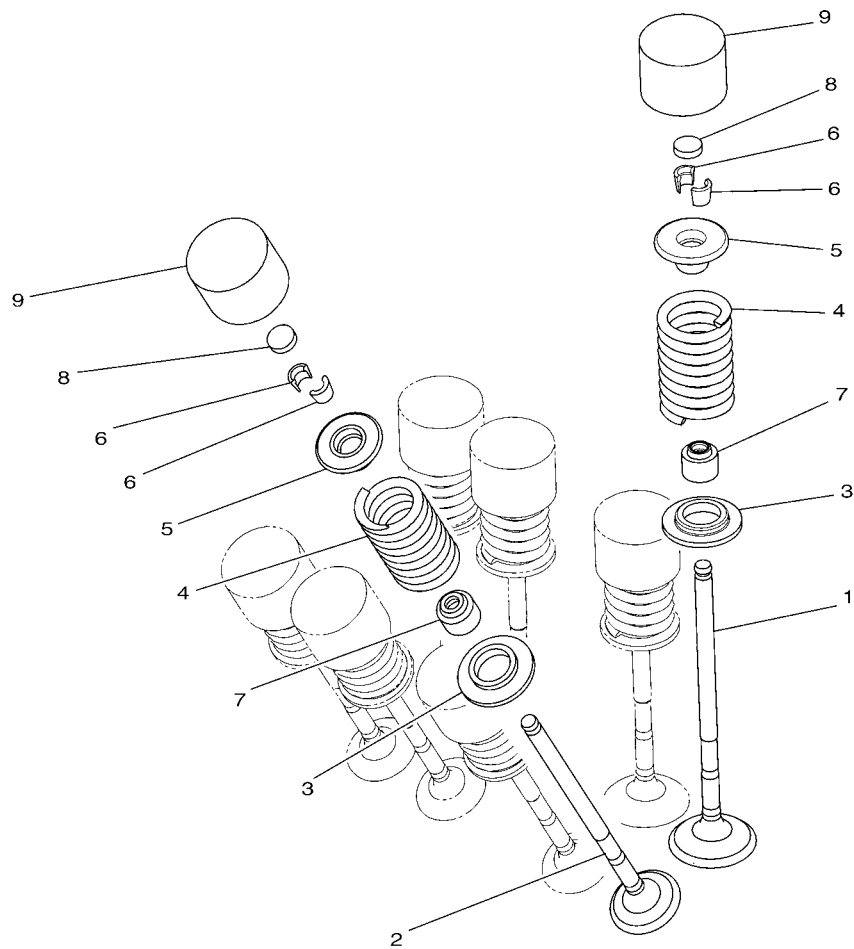


FIG. 2 CRANKSHAFT & PISTON

REF. NO.	PART NO.	DESCRIPTION	B041			REMARKS
21	93605-10090	PIN, DOWEL	2			
22	1WD-E1454-00	WEIGHT 1	1			
23	1WD-11413-00	METAL, BALANCE WEIGHT	4			UR BLUE
	1WD-11413-10	METAL, BALANCE WEIGHT	4			UR BLACK
	1WD-11413-20	METAL, BALANCE WEIGHT	4			UR BROWN
	1WD-11413-30	METAL, BALANCE WEIGHT	4			UR GREEN
	1WD-11413-40	METAL, BALANCE WEIGHT	4			UR YELLOW




1WD1460-P030

FIG. 3 VALVE

REF. NO.	PART NO.	DESCRIPTION	B041			REMARKS
1	1WD-E2111-00	VALVE, INTAKE	4			
2	1WD-E2121-00	VALVE, EXHAUST	4			
3	1WD-E2126-00	SEAT, VALVE SPRING 2	8			
4	1WD-12113-00	SPRING, VALVE INNER	8			
5	1WD-E2117-00	RETAINER, VALVE SPRING	8			
6	3S0-E2118-00	LOCK, VALVE SPRING RETAINER	16			
7	1PA-E2119-00	SEAL, VALVE STEM	8			
8	1HX-12168-F0	PAD, ADJUSTING 2 (1.50)	8			UR
	1HX-12168-H1	PAD, ADJUSTING 2 (1.55)	8			UR
	1HX-12168-K1	PAD, ADJUSTING 2 (1.60)	8			UR
	1HX-12168-M1	PAD, ADJUSTING 2 (1.65)	8			UR
	1HX-12168-R1	PAD, ADJUSTING 2 (1.70)	8			UR
	1HX-12168-U1	PAD, ADJUSTING 2 (1.75)	8			UR
	1HX-12168-W1	PAD, ADJUSTING 2 (1.80)	8			UR
	1HX-12168-Y1	PAD, ADJUSTING 2 (1.85)	8			UR
	1HX-12169-11	PAD, ADJUSTING 2 (1.90)	8			UR
	1HX-12169-31	PAD, ADJUSTING 2 (1.95)	8			UR
	1HX-12169-50	PAD, ADJUSTING 2 (2.00)	8			UR
	1HX-12169-70	PAD, ADJUSTING 2 (2.05)	8			UR
	1HX-12169-90	PAD, ADJUSTING 2 (2.10)	8			UR
	1HX-12169-E0	PAD, ADJUSTING 2 (2.15)	8			UR
	1HX-12169-G0	PAD, ADJUSTING 2 (2.20)	8			UR
	1HX-12169-J0	PAD, ADJUSTING 2 (2.25)	8			UR
	1HX-12169-L0	PAD, ADJUSTING 2 (2.30)	8			UR
	1HX-12169-N0	PAD, ADJUSTING 2 (2.35)	8			UR
	1HX-12169-T0	PAD, ADJUSTING 2 (2.40)	8			UR
9	1WD-12153-10	LIFTER, VALVE	8			

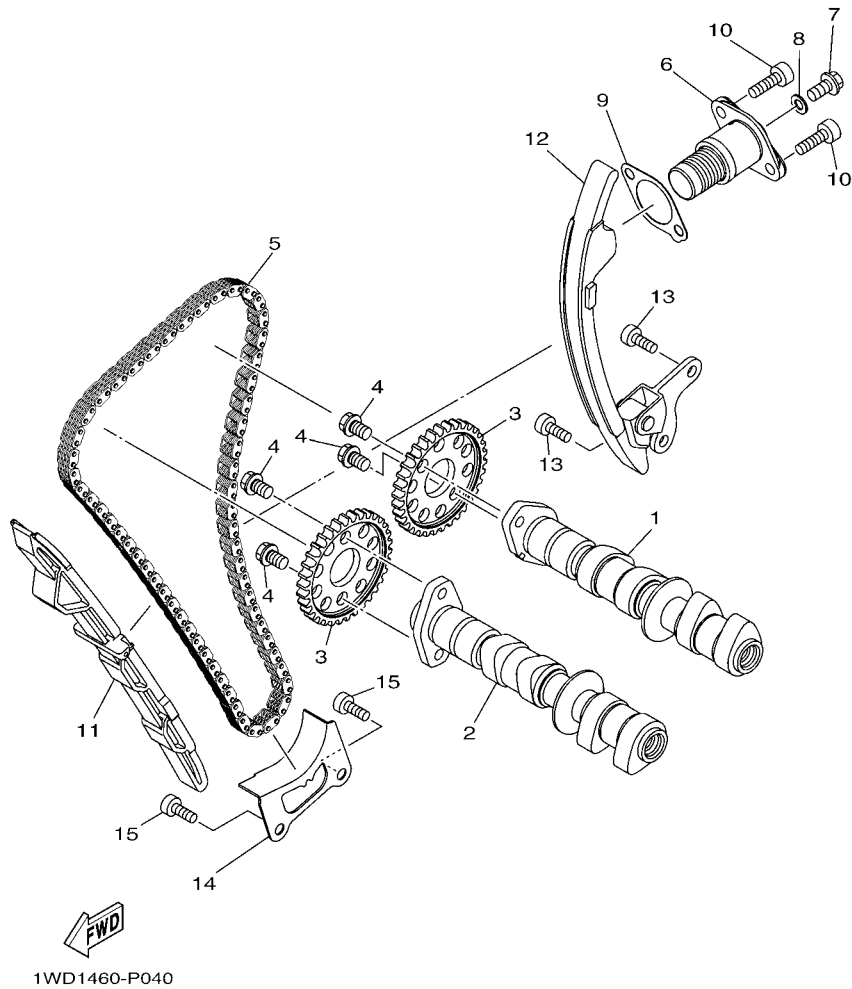
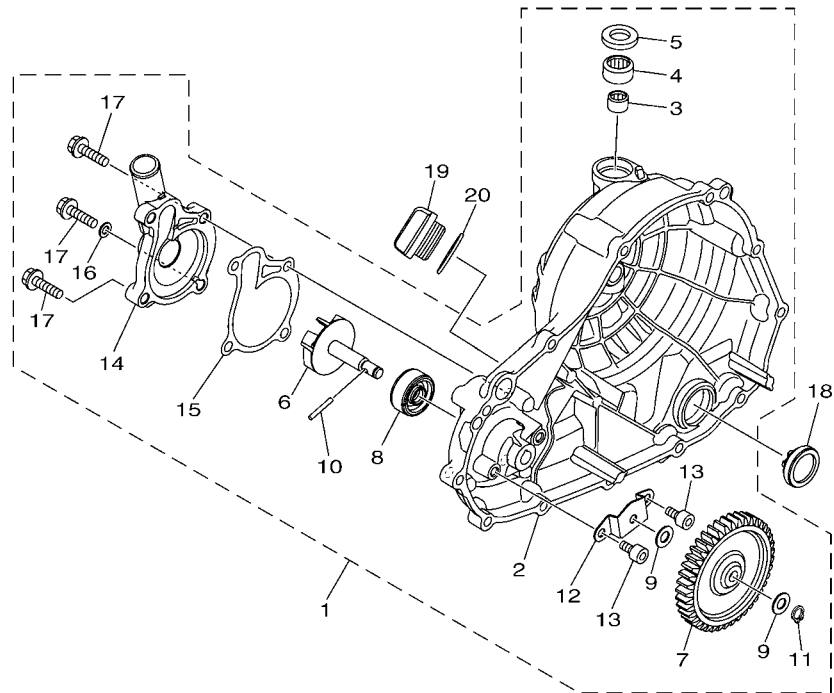


FIG. 4 CAMSHAFT & CHAIN

REF. NO.	PART NO.	DESCRIPTION	B041				REMARKS
1	1WD-E2170-00	CAMSHAFT ASSY 1	1				
2	1WD-E2180-00	CAMSHAFT ASSY 2	1				
3	1WD-E2176-00	SPROCKET, CAM CHAIN	2				
4	90105-07800	BOLT, FLANGE	4				
5	94591-61118	CHAIN	1				
6	1WD-12210-01	TENSIONER ASSY, CAM CHAIN	1				
7	95022-06008	BOLT, FLANGE	1				
8	90430-06014	GASKET	1				
9	1WD-E2213-00	GASKET, TENSIONER CASE	1				
10	91312-06020	BOLT	2				
11	1WD-E2251-00	DAMPER, CHAIN 1	1				
12	1WD-E2252-00	DAMPER, CHAIN 2	1				
13	90110-06161	BOLT, HEXAGON SOCKET HEAD	2				
14	1WD-E2256-00	COVER, CHAIN	1				
15	90110-06161	BOLT, HEXAGON SOCKET HEAD	2				

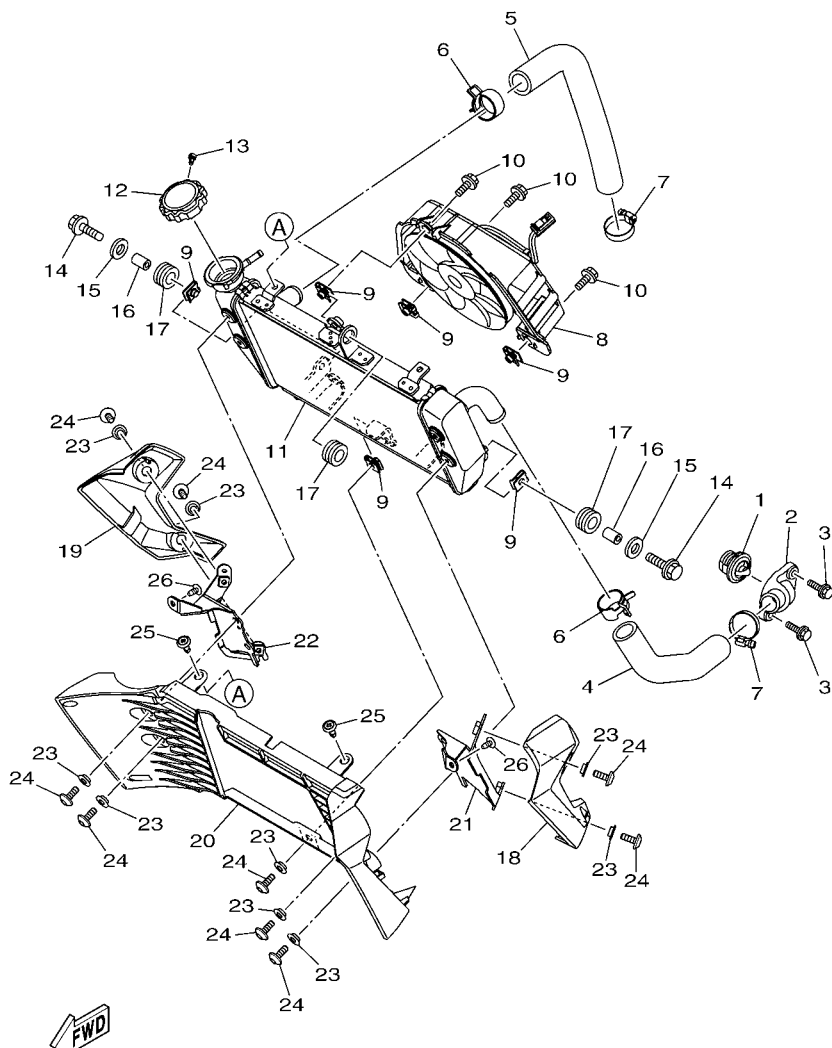



 1WD1460-P050

FIG. 5 WATER PUMP

REF. NO.	PART NO.	DESCRIPTION	B041				REMARKS
1	1WD-E2420-00	WATER PUMP ASSY	1				
2	1WD-E5421-00	.COVER, CRANKCASE 2	1				
3	93317-11096	.BEARING	1				
4	93315-21570	.BEARING	1				
5	93102-15801	.OIL SEAL	1				
6	1WD-E2450-00	.IMPELLER SHAFT ASSY	1				
7	1WD-E2453-00	.GEAR	1				
8	33S-E2223-00	.SEAL	1				
9	33S-E2456-00	.WASHER	2				
10	1WD-E319L-00	.PIN, STRAIGHT	1				
11	99009-08400	.CIRCLIP	1				
12	1WD-E2681-00	.PLATE	1				
13	91312-06010	.BOLT	2				
14	1WD-E2422-00	.COVER, HOUSING	1				
15	1WD-E2428-00	.GASKET, HOUSING COVER 2	1				
16	90430-06014	.GASKET	1				
17	95022-06025	.BOLT, FLANGE	3				
18	2H7-15361-00	GAUGE, LEVEL	1				
19	1WD-E5362-00	PLUG, OIL LEVEL	1				
20	93210-27807	O-RING	1				

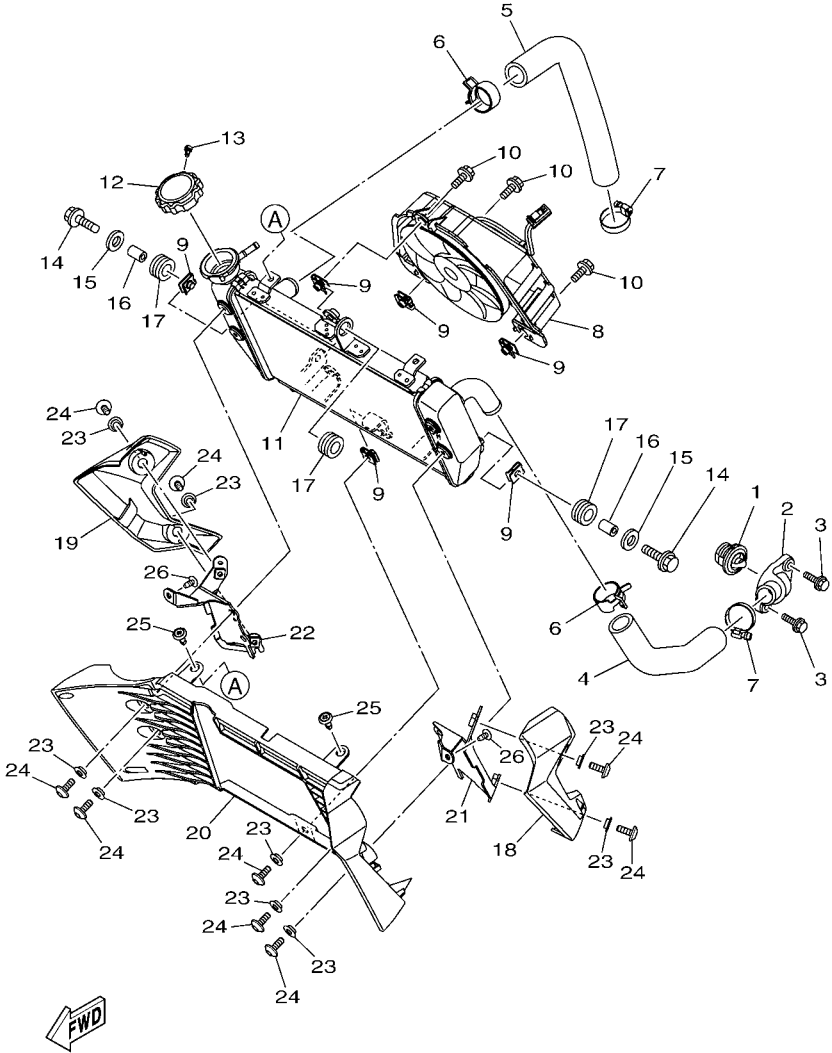
FIG. 6 RADIATOR & HOSE



B041460-R060

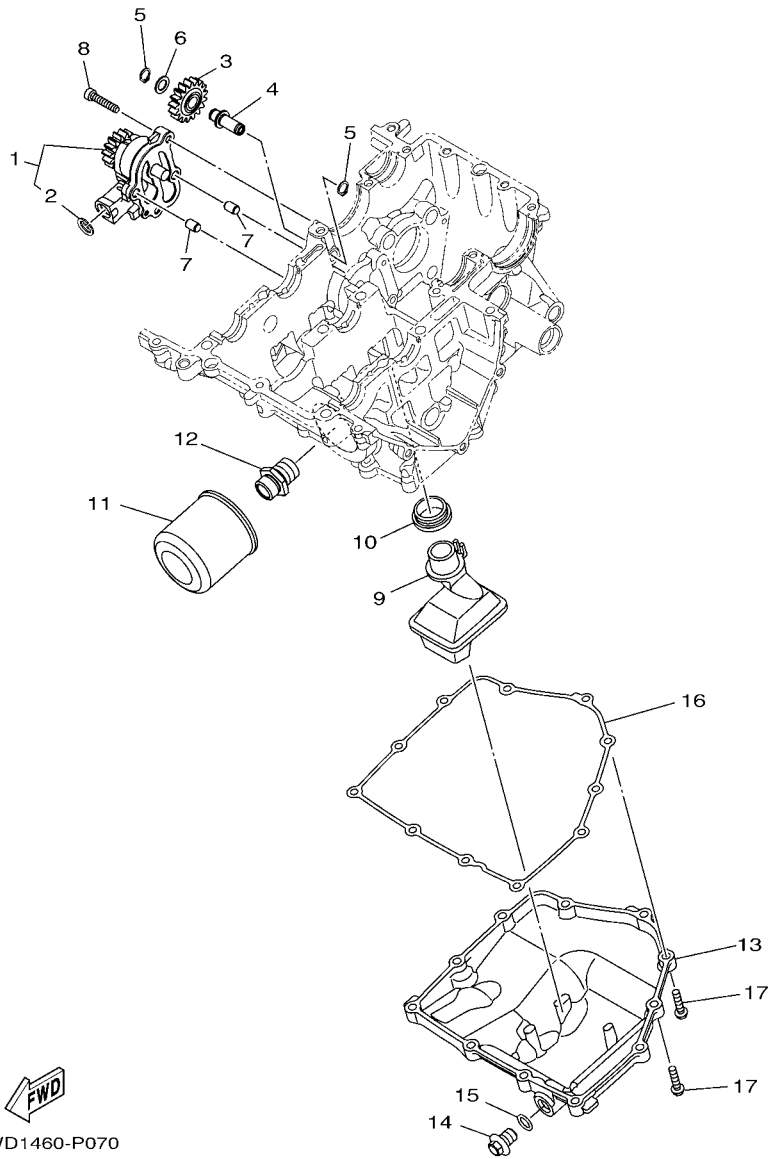
REF. NO.	PART NO.	DESCRIPTION	B041				REMARKS
1	5P0-12411-00	THERMOSTAT	1				
2	1WD-E2413-00	COVER, THERMOSTAT	1				
3	95022-06020	BOLT, FLANGE	2				
4	1WD-E2577-00	HOSE 2	1				
5	1WD-E2578-00	HOSE 3	1				
6	90467-250A1	CLIP	2				
7	90450-28001	HOSE CLAMP ASSY	2				
8	1WD-E2405-00	BLOWER ASSY	1				
9	5SL-12671-00	NUT 1	6				
10	2S3-12675-00	BOLT, BLOWER HOLDING	3				
11	B04-E2461-00	RADIATOR COMP	1				
12	B04-E2462-00	CAP, RADIATOR	1				
13	97707-30505	SCREW, TAPPING	1				
14	95827-06025	BOLT, FLANGE	2				
15	90201-06072	WASHER, PLATE	2				
16	90387-064W3	COLLAR	2				
17	90480-15808	GROMMET	3				
18	B04-F137U-00-P0	GUIDE, AIR 1	1				MBL2 FOR MS1
	B04-F137U-00-P1	GUIDE, AIR 1	1				S8 FOR RM7,SMX
19	B04-F137V-00-P0	GUIDE, AIR 2	1				MBL2 FOR MS1
	B04-F137V-00-P1	GUIDE, AIR 2	1				S8 FOR RM7,SMX
20	B04-F1557-00	DUCT, AIR	1				
21	B04-F175T-00	BRACKET 1	1				
22	B04-F175U-00	BRACKET 2	1				
23	90387-06130	COLLAR	9				
24	90111-06151	BOLT,HEX. SOCKET BUTTON	9				
25	90269-06812	RIVET	2				

FIG. 6 RADIATOR & HOSE



B041460-R060

REF. NO.	PART NO.	DESCRIPTION	B041				REMARKS
26	97707-50012	SCREW, TRUSS HEAD TAPPING	2				




1WD1460-P070

FIG. 7 OIL PUMP

REF. NO.	PART NO.	DESCRIPTION	B041				REMARKS
1	1WD-E3300-00	OIL PUMP ASSY	1				
2	99009-15500	.CIRCLIP	1				
3	1WD-E3341-00	GEAR, OIL PUMP IDLE	1				
4	1WD-E3342-00	SHAFT, IDLE GEAR	1				
5	99009-10400	CIRCLIP	2				
6	90201-10119	WASHER, PLATE	1				
7	99530-08012	PIN, DOWEL	2				
8	91312-06030	BOLT	4				
9	1WD-E3410-00	STRAINER HOUSING ASSY	1				
10	1WD-E3415-00	SEAL, OIL STRAINER	1				
11	1WD-E3440-00	ELEMENT ASSY, OIL CLEANER	1				
12	90401-20008	BOLT, UNION	1				
13	1WD-E3417-00	COVER, STRAINER	1				
14	90340-12808	PLUG, STRAIGHT SCREW	1				
15	4YS-E1198-00	GASKET	1				
16	1WD-E3414-00	GASKET, STRAINER COVER	1				
17	95022-06025	BOLT, FLANGE	11				

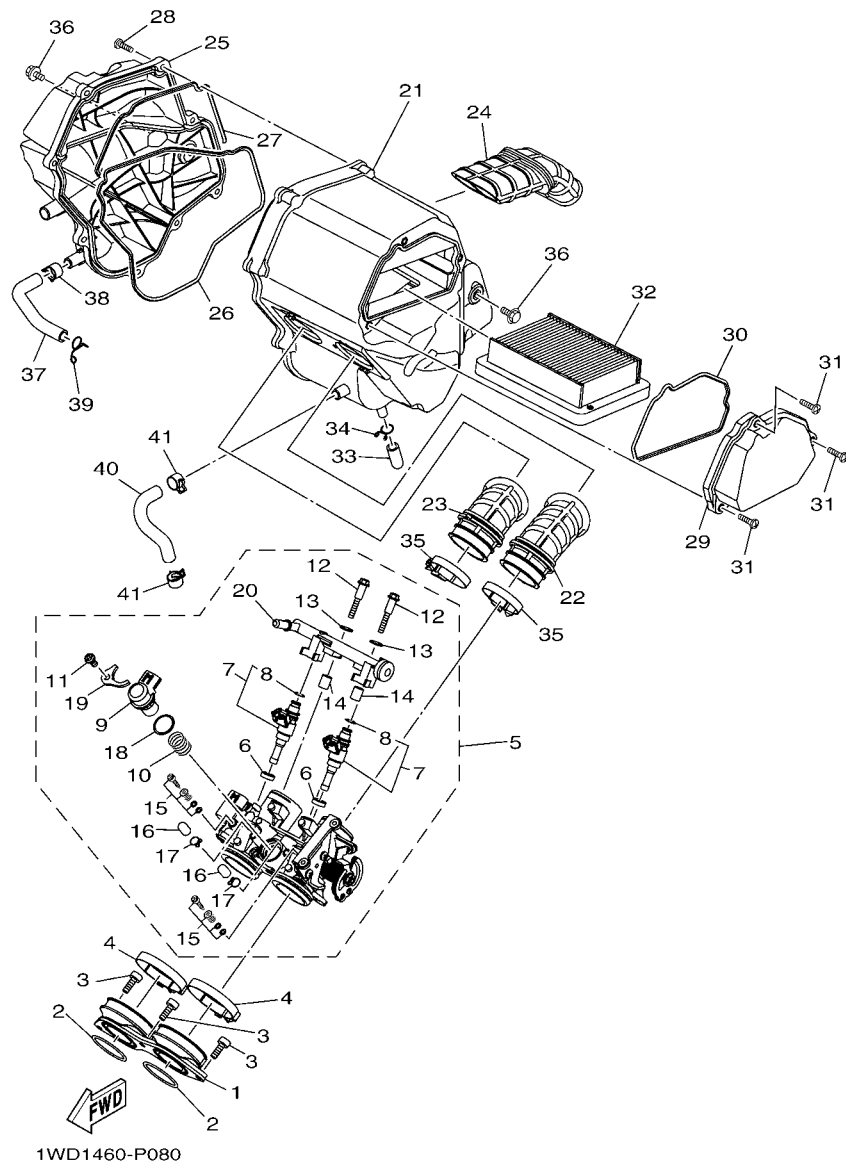
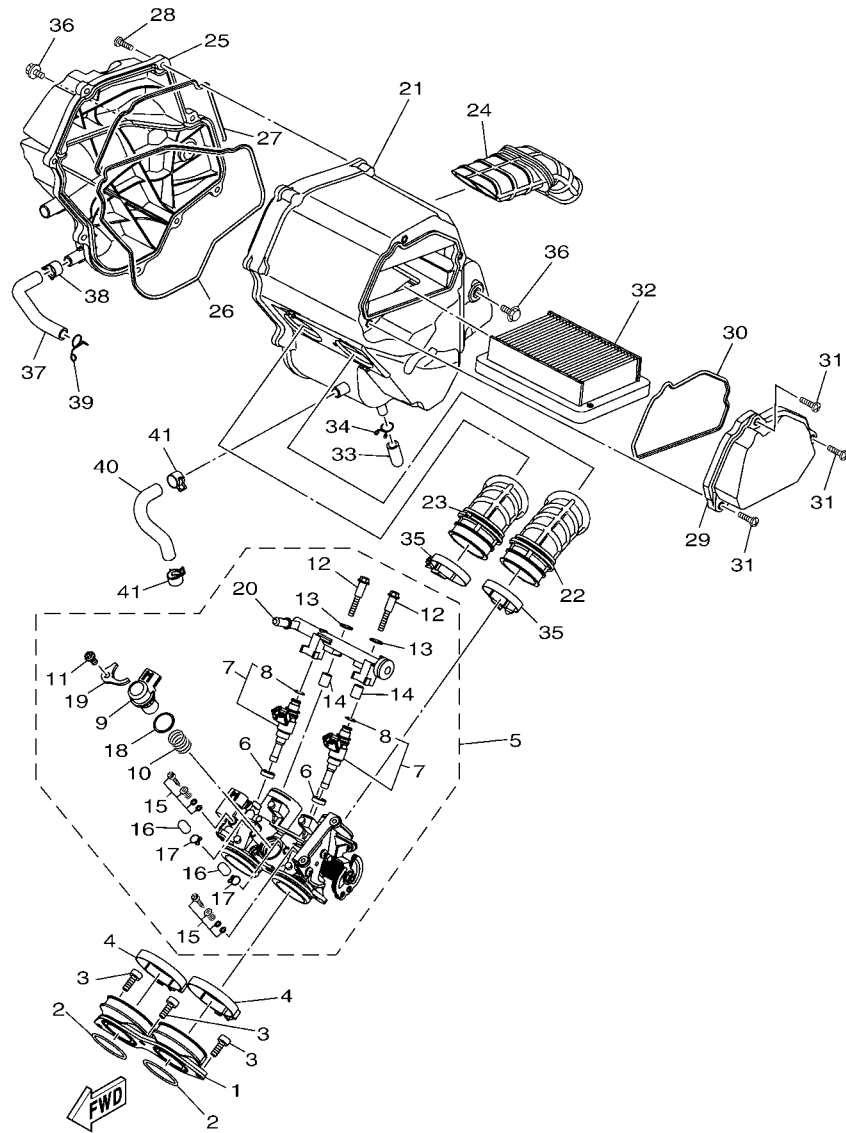


FIG. 8 INTAKE

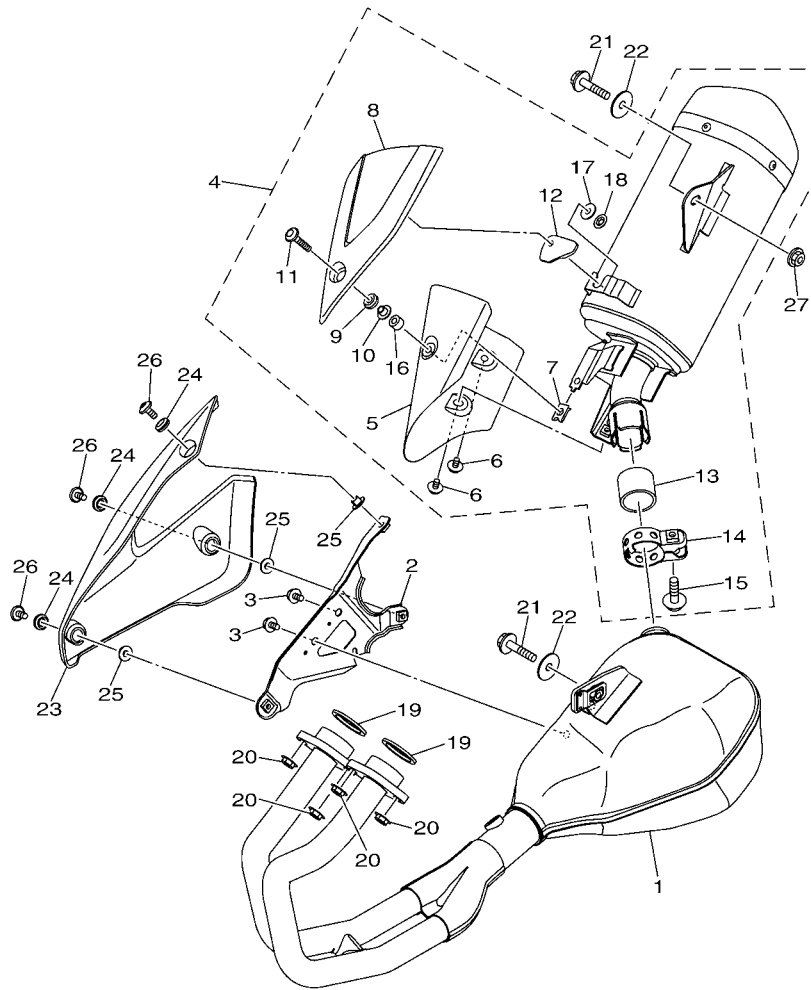
REF. NO.	PART NO.	DESCRIPTION	B041				REMARKS
1	1WD-E3586-00	JOINT, CARBURETOR 1	1				
2	93210-39802	O-RING	2				
3	91312-06016	BOLT	3				
4	90450-55804	HOSE CLAMP ASSY	2				
5	1WD-E3750-00	THROTTLE BODY ASSY	1				
6	1WD-E3556-00	.GASKET	2				
7	1WD-E3761-00	.INJECTOR	2				
8	5PS-14147-00	.O-RING	1				
9	1WS-85801-00	.STEPPING MOTOR	1				
10	1WS-14335-00	.SPRING, PLUNGER	1				
11	98502-06012	.SCREW, PAN HEAD	1				
12	1WD-E3573-00	.BOLT 1	2				
13	8GL-13571-00	.WASHER	2				
14	8HG-14534-00	.COLLAR	2				
15	5JW-14104-00	.AIR SCREW SET	2				
16	895-14169-00	.CAP	2				
17	8A7-14139-00	.CLIP, PIPE	2				
18	54P-E416A-00	.O-RING	1				
19	1WD-E4243-00	.PLATE	1				
20	1WD-E3938-00	.PIPE	1				
21	1WD-E4411-00	CASE, AIR CLEANER 1	1				
22	1WD-E4469-00	FUNNEL, AIR	1				
23	1WD-E446C-00	FUNNEL 2	1				
24	1WD-E4437-00	DUCT	1				
25	1WD-E4412-00	CAP, CLEANER CASE 1	1				
26	1WD-E4452-00	SEAL	1				
27	1WD-E4457-00	SEAL	1				



1WD1460-P080

FIG. 8 INTAKE

REF. NO.	PART NO.	DESCRIPTION	B041				REMARKS
28	97702-50025	SCREW, TAPPING	8				
29	1WD-E4422-00	CAP, CLEANER CASE 2	1				
30	1WD-E4462-00	SEAL	1				
31	98902-05020	SCREW, BIND	3				
32	1WD-E4451-00	ELEMENT, AIR CLEANER	1				
33	52B-E443E-00	PIPE, DRAIN	1				
34	90467-110A3	CLIP	1				
35	54P-E3474-00	BAND	2				
36	95822-06010	BOLT, FLANGE	2				
37	1WD-E3543-01	HOSE, AIR	1				
38	90467-13802	CLIP	1				
39	90467-12052	CLIP	1				
40	1WD-E5373-00	PIPE, BREATHER	1				
41	90467-13802	CLIP	2				



1WD1460-P090

FIG. 9 EXHAUST

REF. NO.	PART NO.	DESCRIPTION	B041				REMARKS
1	1WD-E4602-00	EXHAUST PIPE COMP.	1				
2	1WD-E473L-00	BRACKET 3	1				
3	95027-06010	BOLT, FLANGE	2				
4	1WD-E4710-00	MUFFLER ASSY 1	1				
5	1WD-E4758-00	.PROTECTOR, SILENCER	1				
6	90111-06802	.BOLT,HEX. SOCKET BUTTON	2				
7	90183-06818	.NUT, SPRING	1				
8	1WD-E4728-00	.PROTECTOR, MUFFLER 2	1				
9	90480-12581	.GROMMET	1				
10	90387-087L0	.COLLAR	1				
11	90111-06847	.BOLT,HEX. SOCKET BUTTON	1				
12	1WD-E4763-00	.SPACER	1				
13	54D-E4714-00	.GASKET, MUFFLER	1				
14	1WD-E4715-00	.BAND, MUFFLER	1				
15	95027-08035	.BOLT, FLANGE	1				
16	90387-068N4	.COLLAR	1				
17	90201-06088	.WASHER, PLATE	1				
18	90183-06011	.NUT, SPRING	1				
19	1WD-E4613-00	GASKET, EXHAUST PIPE	2				
20	95707-08500	NUT, FLANGE	4				
21	90105-088G7	BOLT, FLANGE	2				
22	90201-08612	WASHER, PLATE	2				
23	1WD-E4628-00	PROTECTOR, EXHAUST PIPE	1				
24	90480-12581	GROMMET	3				
25	90387-087L0	COLLAR	3				
26	90111-06152	BOLT,HEX. SOCKET BUTTON	3				
27	95607-08200	NUT, SELF-LOCKING	1				

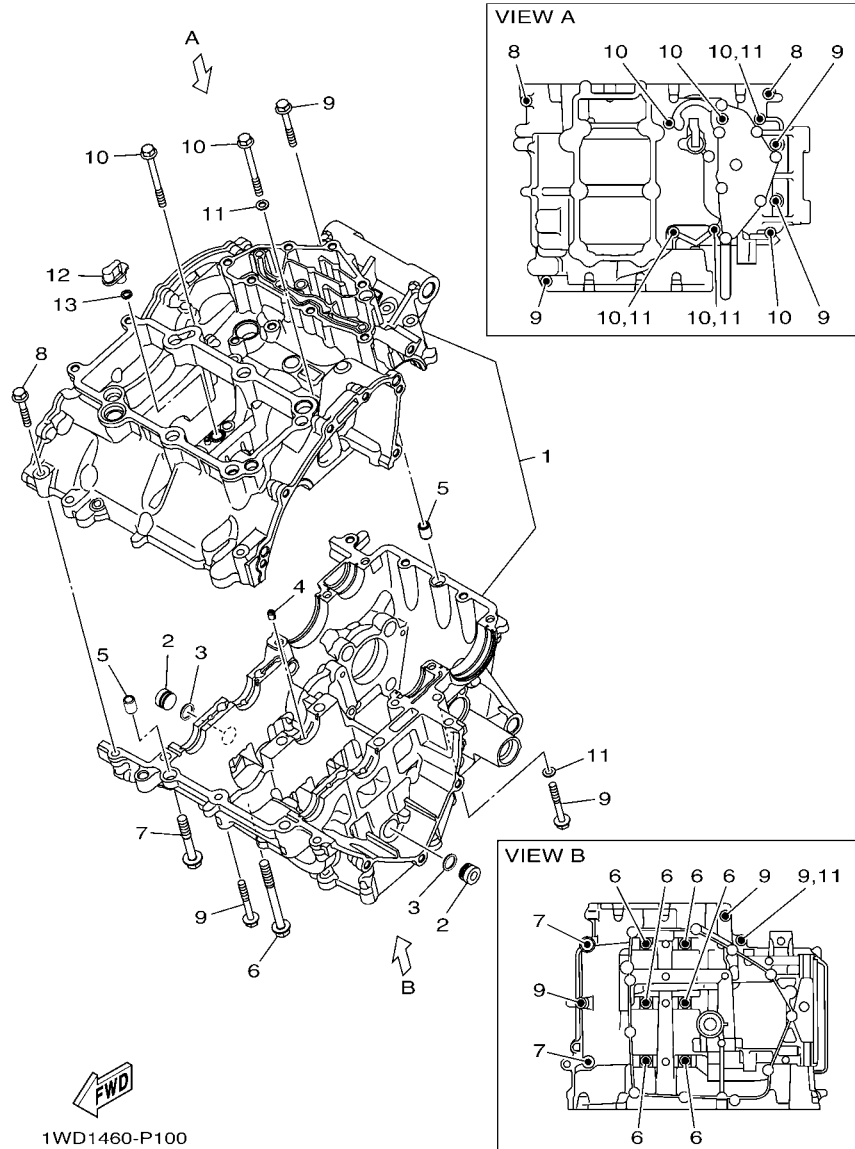
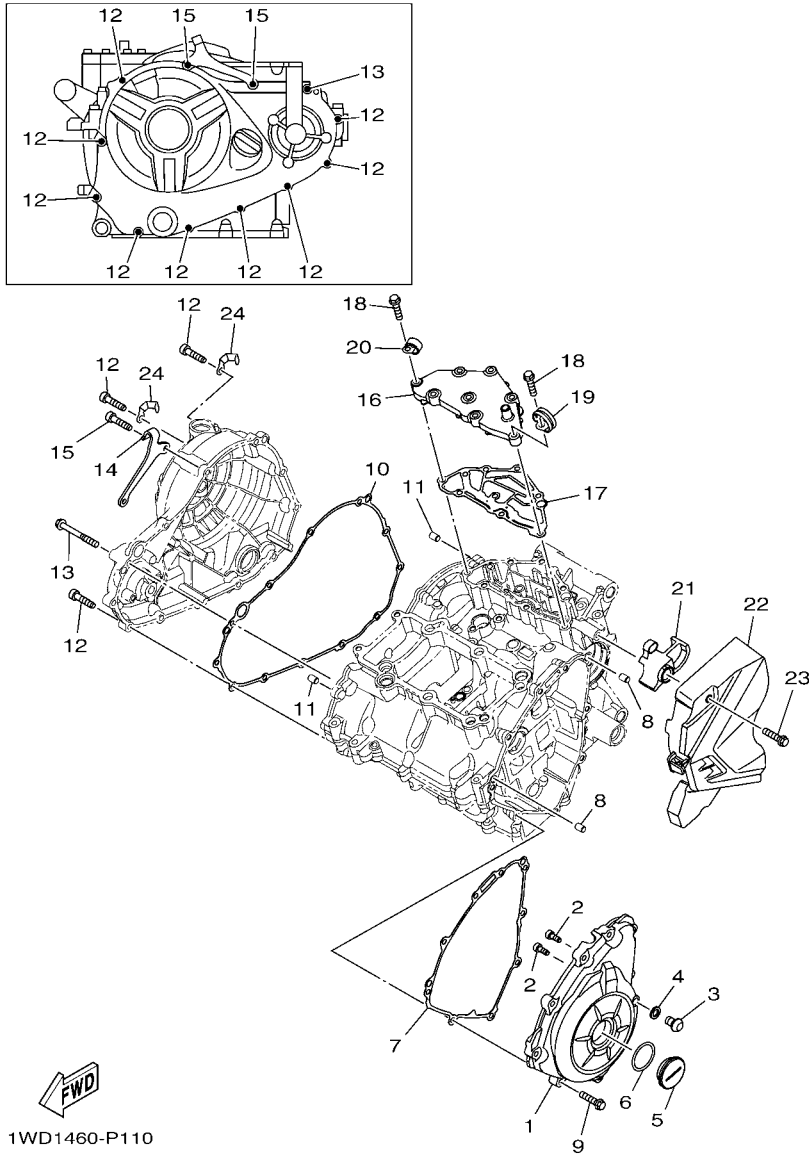


FIG. 10 CRANKCASE

REF. NO.	PART NO.	DESCRIPTION	B041				REMARKS
1	1WD-E5150-10	CRANKCASE ASSY	1				
2	90338-16262	PLUG	2				
3	93210-12803	O-RING	2				
4	1WD-E5148-00	NOZZLE 2	1				
5	99530-10014	PIN, DOWEL	2				
6	90105-088F7	BOLT, FLANGE	6				
7	90105-088G0	BOLT, FLANGE	2				
8	95812-06035	BOLT, FLANGE	2				
9	95812-06045	BOLT, FLANGE	6				
10	95812-06065	BOLT, FLANGE	6				
11	90430-06014	GASKET	4				
12	1WD-E5155-00	NOZZLE 3	1				
13	93210-068F7	O-RING	1				



FWD
1WD1460-P110

FIG. 11 CRANKCASE COVER 1

REF. NO.	PART NO.	DESCRIPTION	B041				REMARKS
1	1WD-E5411-00	COVER, CRANKCASE 1	1				
2	91312-05012	BOLT	2				
3	92014-08012	BOLT, BUTTON HEAD	1				
4	90430-08143	GASKET	1				
5	90340-32819	PLUG, STRAIGHT SCREW	1				
6	93210-32816	O-RING	1				
7	1WD-E5451-00	GASKET, CRANKCASE COVER 1	1				
8	99530-08012	PIN, DOWEL	2				
9	95022-06025	BOLT, FLANGE	9				
10	1WD-E5461-00	GASKET, CRANKCASE COVER 2	1				
11	99530-08012	PIN, DOWEL	2				
12	95022-06025	BOLT, FLANGE	9				
13	95022-06050	BOLT, FLANGE	1				
14	1WD-E5441-00	HOLDER, CLUTCH CABLE	1				
15	91312-06025	BOLT	2				
16	1WD-E5413-10	COVER	1				
17	1WD-E5462-00	GASKET, CRANKCASE COVER 3	1				
18	95022-06025	BOLT, FLANGE	8				
19	90462-08812	CLAMP	1				
20	90462-08806	CLAMP	1				
21	1WD-E5377-00	GUIDE, INLET	1				
22	1WD-E5418-00	COVER, CHAIN CASE	1				
23	95022-06025	BOLT, FLANGE	2				
24	90462-08225	CLAMP	2				

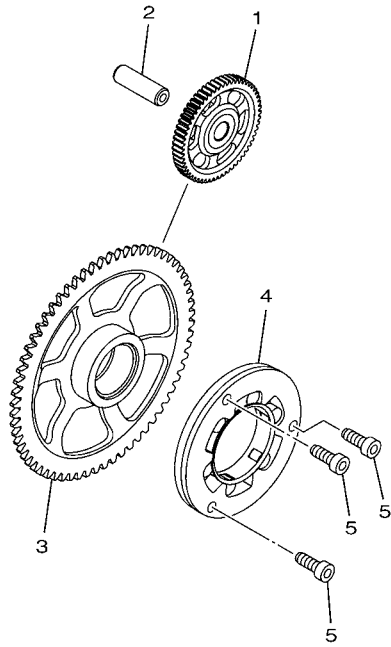
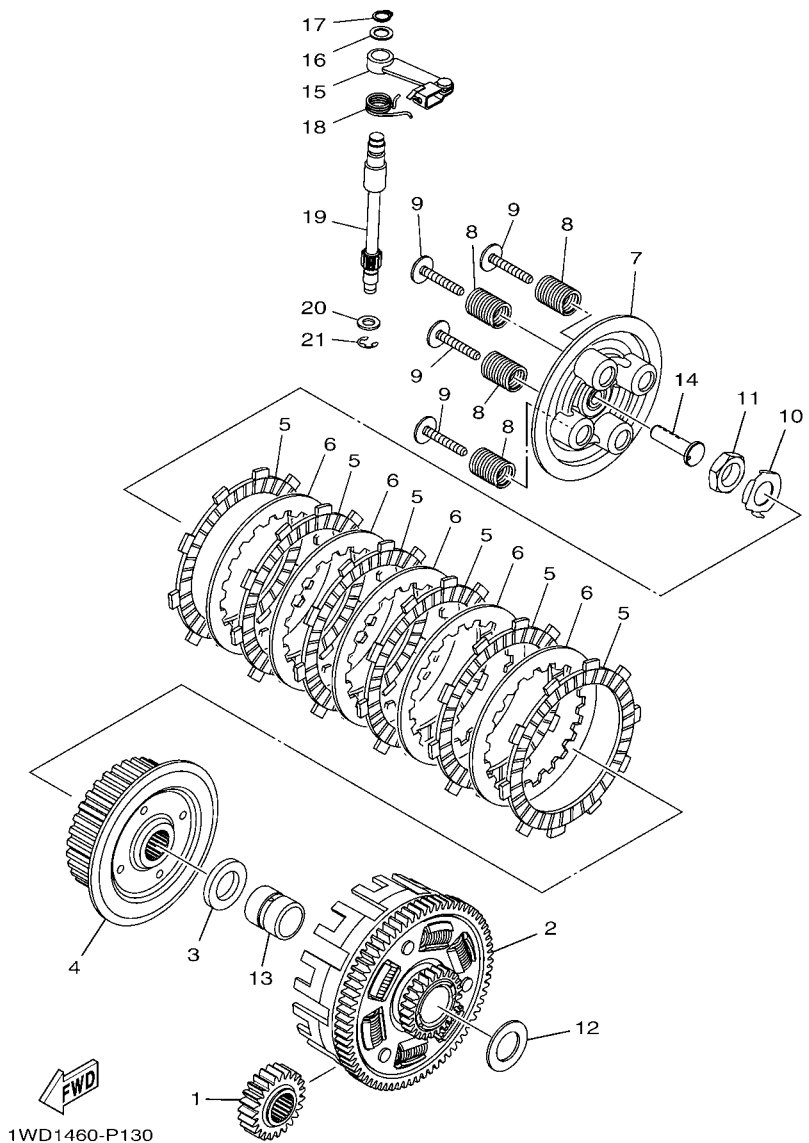


FIG. 12 STARTER CLUTCH

REF. NO.	PART NO.	DESCRIPTION	B041				REMARKS
1	1WD-E5514-00	GEAR 2	1				
2	44D-E5521-00	SHAFT 1	1				
3	1WD-E5515-00	GEAR 3	1				
4	1WD-E5580-00	STARTER CLUTCH OUTER ASSY	1				
5	90110-06161	BOLT, HEXAGON SOCKET HEAD	3				



1WD1460-P130

FIG. 13 CLUTCH

REF. NO.	PART NO.	DESCRIPTION	B041				REMARKS
1	1WD-E6111-00	GEAR, PRIMARY DRIVE	1				
2	1WD-E6150-00	PRIMARY DRIVEN GEAR COMP.	1				
3	1WD-E6154-00	PLATE, THRUST 1	1				
4	1WD-E6371-00	BOSS, CLUTCH	1				
5	1WD-E6331-00	PLATE, FRICTION 2	6				
6	1WD-E6324-00	PLATE, CLUTCH 1	5				
7	1WD-E6350-00	PRESSURE PLATE ASSY	1				
8	1WD-E6333-00	SPRING, CLUTCH 1	4				
9	1WD-E6337-00	SCREW, SPRING	4				
10	90215-18800	WASHER, LOCK	1				
11	90170-18221	NUT	1				
12	90201-22013	WASHER, PLATE	1				
13	1WD-E6181-00	SPACER 1	1				
14	1WD-E6356-00	ROD, PUSH 1	1				
15	1WD-E6340-00	PUSH LEVER ASSY	1				
16	90201-10843	WASHER, PLATE	1				
17	99009-10400	CIRCLIP	1				
18	90508-18136	SPRING, TORSION	1				
19	1WD-16382-00	AXLE, PUSH LEVER	1				
20	92902-08600	WASHER, PLATE	1				
21	99002-07600	CLIP	1				

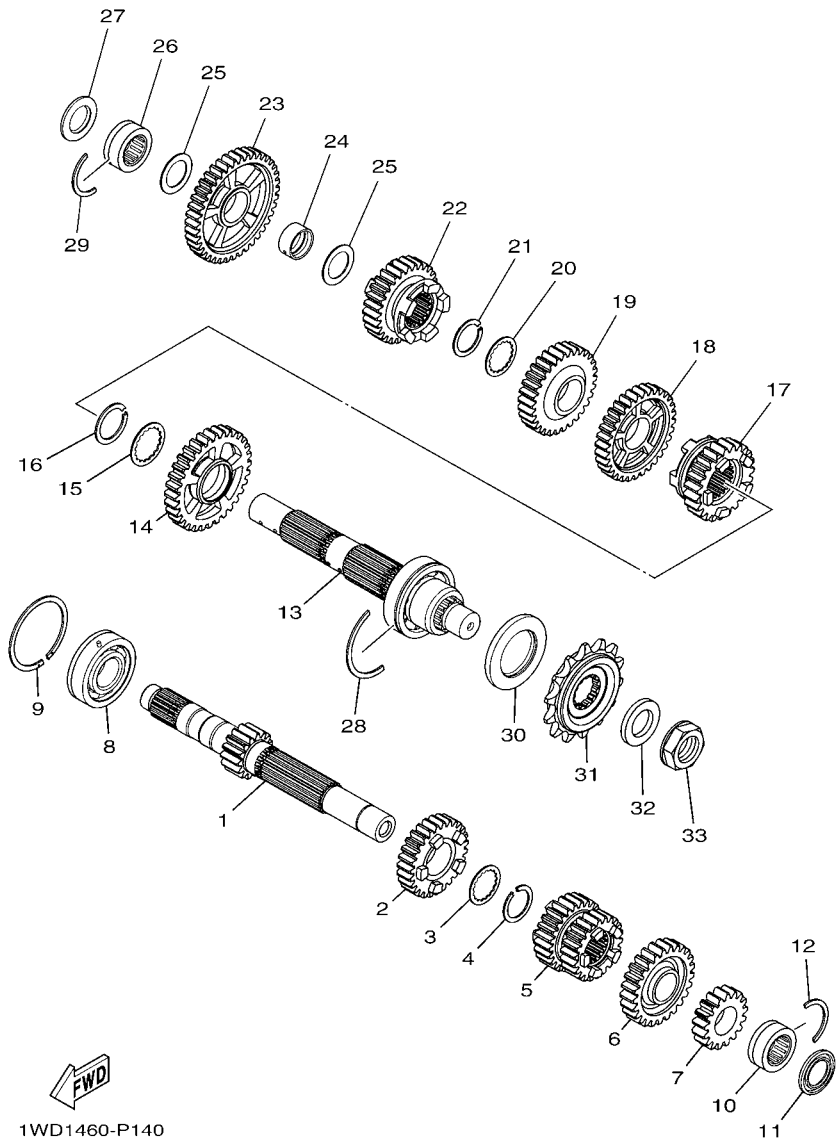
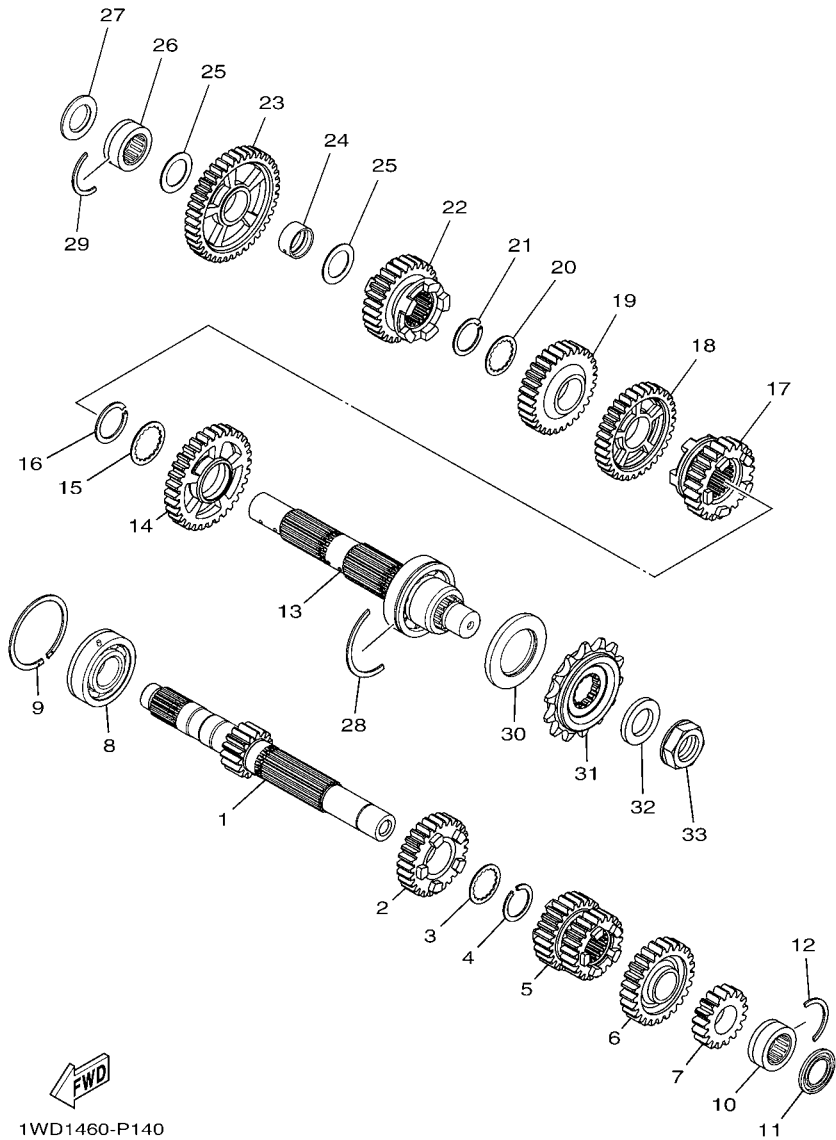


FIG. 14 TRANSMISSION

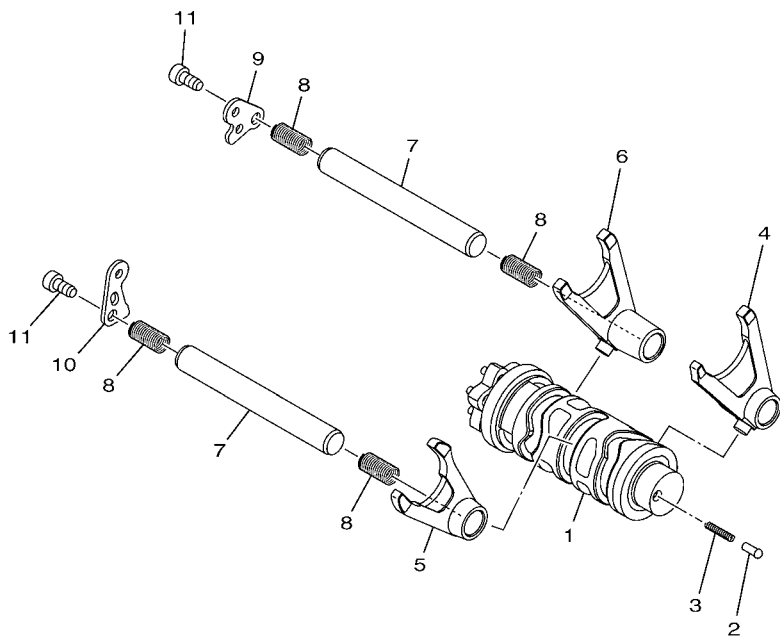
REF. NO.	PART NO.	DESCRIPTION	B041				REMARKS
1	1WD-E7411-00	AXLE, MAIN (15T)	1				
2	1WD-E7151-00	GEAR, 5TH PINION (27T)	1				
3	90214-22008	WASHER, CLAW	1				
4	93440-24200	CIRCLIP	1				
5	1WD-E7131-00	GEAR, 3RD PINION (22T/25T)	1				
6	1WD-E7161-00	GEAR, 6TH PINION (25T)	1				
7	1WD-E7121-00	GEAR, 2ND PINION (17T)	1				
8	93306-255Y9	BEARING	1				
9	93440-52009	CIRCLIP	1				
10	93311-420Y3	BEARING	1				
11	93101-20802	OIL SEAL	1				
12	278-17425-00	CIRCLIP 2	1				
13	1WD-E7402-00	DRIVE AXLE ASSY	1				
14	1WD-E7221-00	GEAR, 2ND WHEEL (32T)	1				
15	90209-25011	WASHER	1				
16	93440-28184	CIRCLIP	1				
17	1WD-E7261-00	GEAR, 6TH WHEEL (23T)	1				
18	1WD-E7231-00	GEAR, 3RD WHEEL (32T)	1				
19	1WD-E7241-00	GEAR, 4TH WHEEL (30T)	1				
20	90214-22008	WASHER, CLAW	1				
21	93440-24200	CIRCLIP	1				
22	1WD-E7251-00	GEAR, 5TH WHEEL (28T)	1				
23	1WD-E7211-00	GEAR, 1ST WHEEL (40T)	1				
24	90387-20814	COLLAR	1				
25	90201-20276	WASHER, PLATE (T=1.0)	2				
26	93311-420Y3	BEARING	1				
27	93101-20802	OIL SEAL	1				

FIG. 14 TRANSMISSION



REF. NO.	PART NO.	DESCRIPTION	B041				REMARKS
28	1WD-17424-00	CIRCLIP 1	1				
29	278-17425-00	CIRCLIP 2	1				
30	93102-35803	OIL SEAL	1				
31	1WD-E7460-00	SPROCKET, DRIVE (14T)	1				
32	90201-20023	WASHER, PLATE	1				
33	90179-20013	NUT	1				
<hr/>							
<hr/>							
<hr/>							
<hr/>							
<hr/>							
<hr/>							
<hr/>							
<hr/>							
<hr/>							

FIG. 15 SHIFT CAM & FORK



REF. NO.	PART NO.	DESCRIPTION	B041				REMARKS
1	1WD-E8540-10	SHIFT CAM ASSY	1				
2	5TP-E8542-00	POINT, NEUTRAL	1				
3	90501-06022	SPRING, COMPRESSION	1				
4	1WD-E8511-00	FORK, SHIFT 1	1				
5	1WD-E8512-00	FORK, SHIFT 2	1				
6	1WD-E8513-00	FORK, SHIFT 3	1				
7	1WD-E8531-00	BAR, SHIFT FORK GUIDE 1	2				
8	90501-080A2	SPRING, COMPRESSION	4				
9	1WD-E8536-00	STOPPER, SHIFT BAR	1				
10	1WD-E8562-00	PLATE, STOPPER 2	1				
11	90110-06182	BOLT, HEXAGON SOCKET HEAD	2				


1WD1460-P150

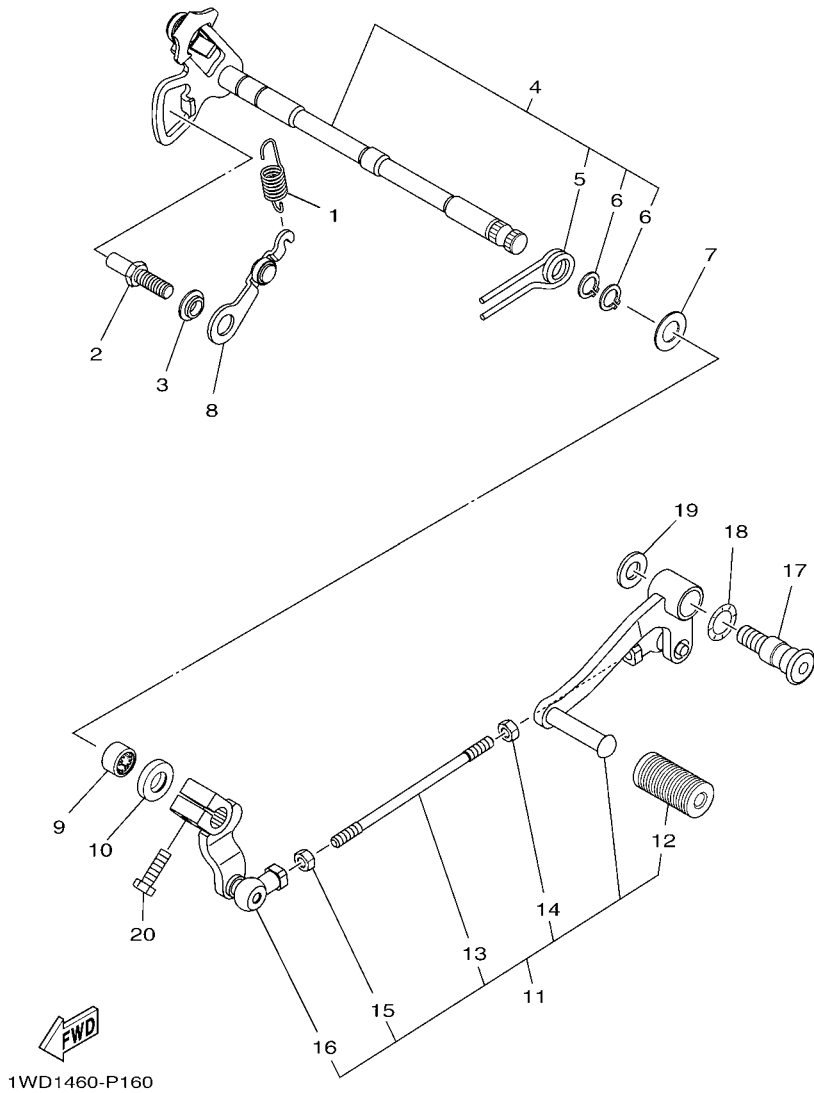


FIG. 16 SHIFT SHAFT

REF. NO.	PART NO.	DESCRIPTION	B041				REMARKS
1	1WD-E8337-00	SPRING	1				
2	1WD-E8127-00	STOPPER, SCREW	1				
3	1WD-E8175-00	SPACER	1				
4	1WD-E8101-00	SHIFT SHAFT ASSY	1				
5	90508-29806	.SPRING, TORSION	1				
6	99009-12400	.CIRCLIP	2				
7	90201-127E1	WASHER, PLATE	1				
8	1WD-E8140-00	STOPPER LEVER ASSY	1				
9	93317-11295	BEARING	1				
10	93102-12891	OIL SEAL	1				
11	1WD-E8110-00	SHIFT PEDAL ASSY	1				
12	1EG-E8113-01	.COVER, SHIFT PEDAL	1				
13	1WD-E8115-00	.ROD, SHIFT	1				
14	90170-06023	.NUT	1				
15	95302-06600	.NUT, HEXAGON	1				
16	1WD-E8112-00	.ARM, SHIFT	1				
17	45P-F7261-00	SHAFT	1				
18	90206-14001	WASHER, WAVE	1				
19	90201-10021	WASHER, PLATE	1				
20	97012-06020	BOLT	1				

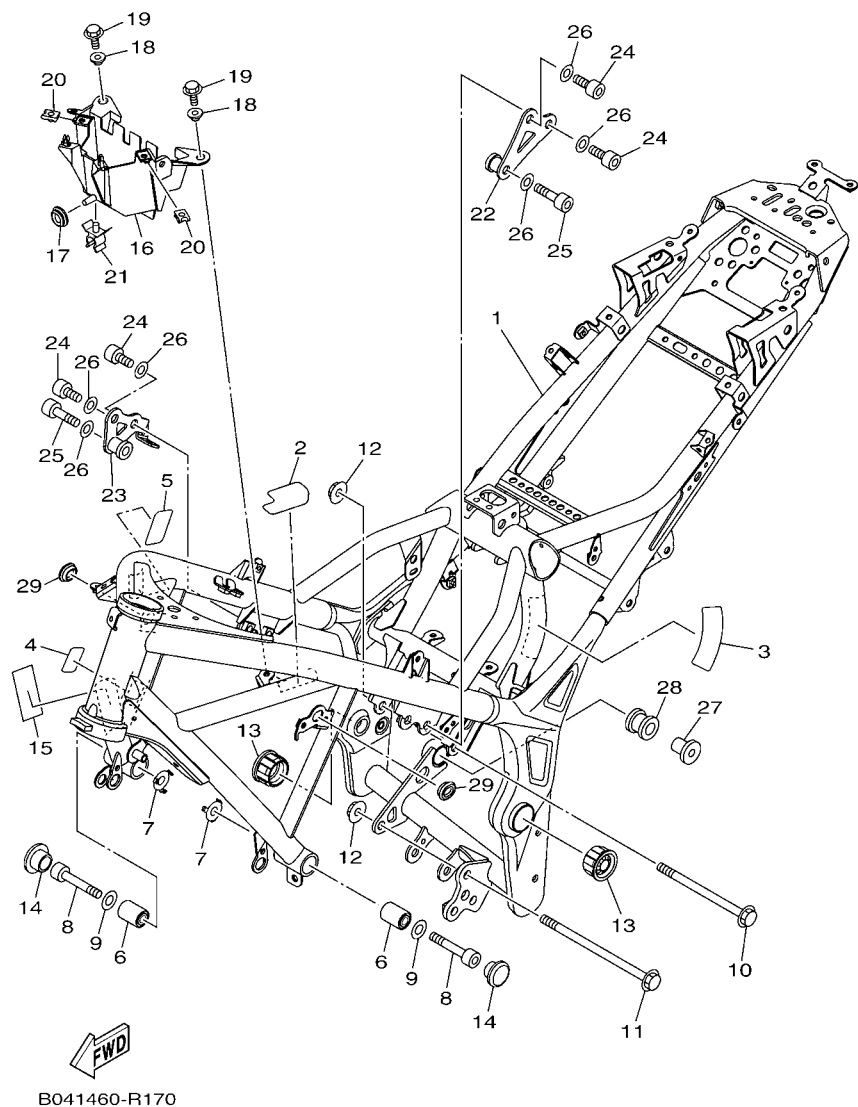
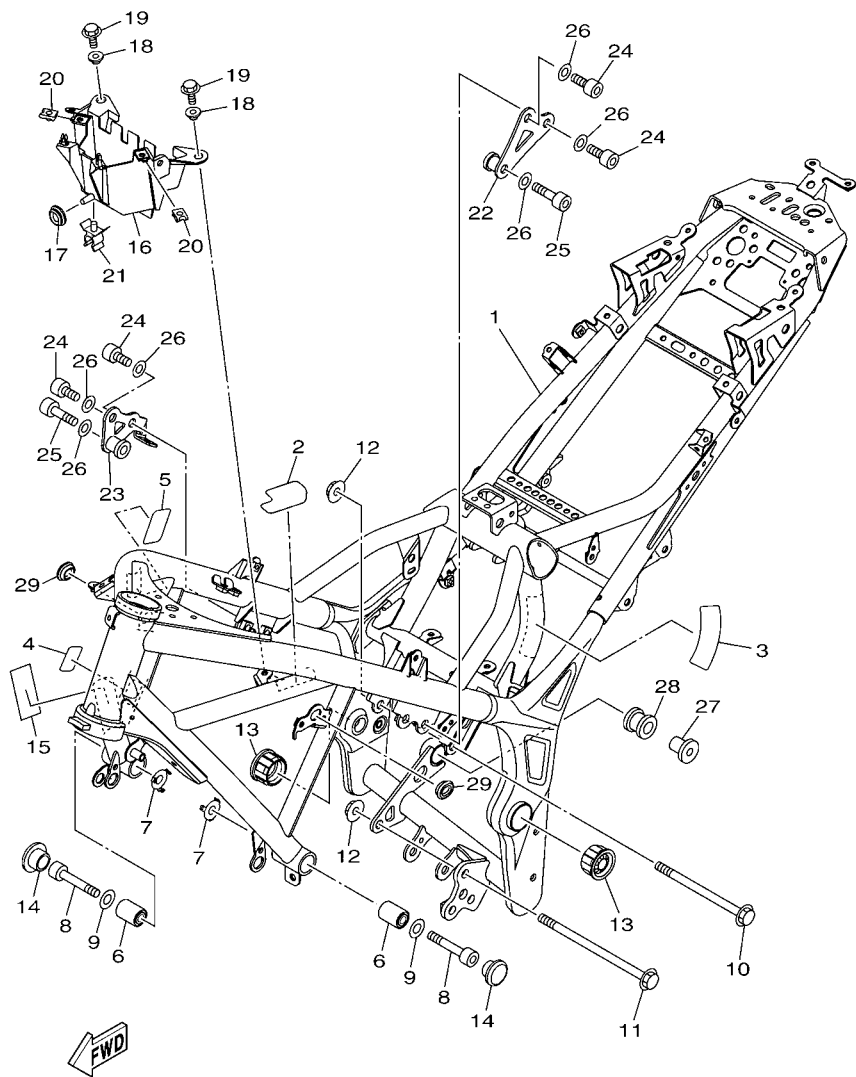


FIG. 17 FRAME

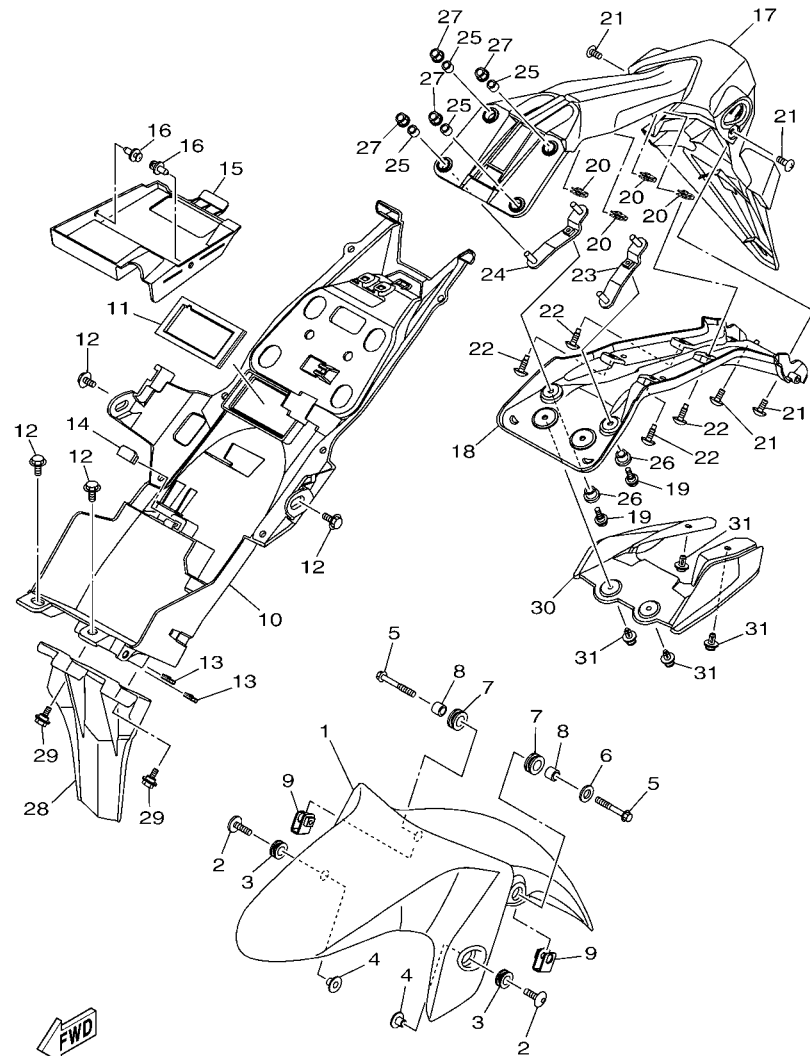
REF. NO.	PART NO.	DESCRIPTION	B041				REMARKS
1	B04-F1110-00-P0	FRAME COMP.	1				DPBM15 FOR MS1
	B04-F1110-00-P1	FRAME COMP.	1				MBL2 FOR RM7,SMX
2	1WD-F117G-00	PROTECTOR	1				
3	1WD-F1652-00	PROTECTOR	1				
4	1WD-F193A-00	PROTECTOR	1				
5	5D9-F414G-00	SEAL	1				
6	90388-10816	DAMPER	2				
7	1WD-F191B-00	PLATE 1	2				
8	91317-10060	BOLT	2				
9	92902-10200	WASHER	2				
10	90105-10889	BOLT, FLANGE	1				
11	90105-10891	BOLT, FLANGE	1				
12	90179-10805	NUT	2				
13	1WD-F135F-00	COVER	2				
14	90338-23801	PLUG	2				
15	B04-F414G-00	SEAL	1				
16	1WD-F1171-00	BOX	1				
17	90480-13398	GROMMET	1				
18	90387-07819	COLLAR	2				
19	95022-06014	BOLT, FLANGE	2				
20	90183-06818	NUT, SPRING	2				
21	90464-12015	CLAMP	1				
22	1WD-F122A-00	STAY 1	1				
23	B04-F122B-00	STAY 2	1				
24	91317-10020	BOLT	4				
25	91317-10045	BOLT	2				
26	92907-10600	WASHER, PLATE	6				



B041460-R170

FIG. 17 FRAME

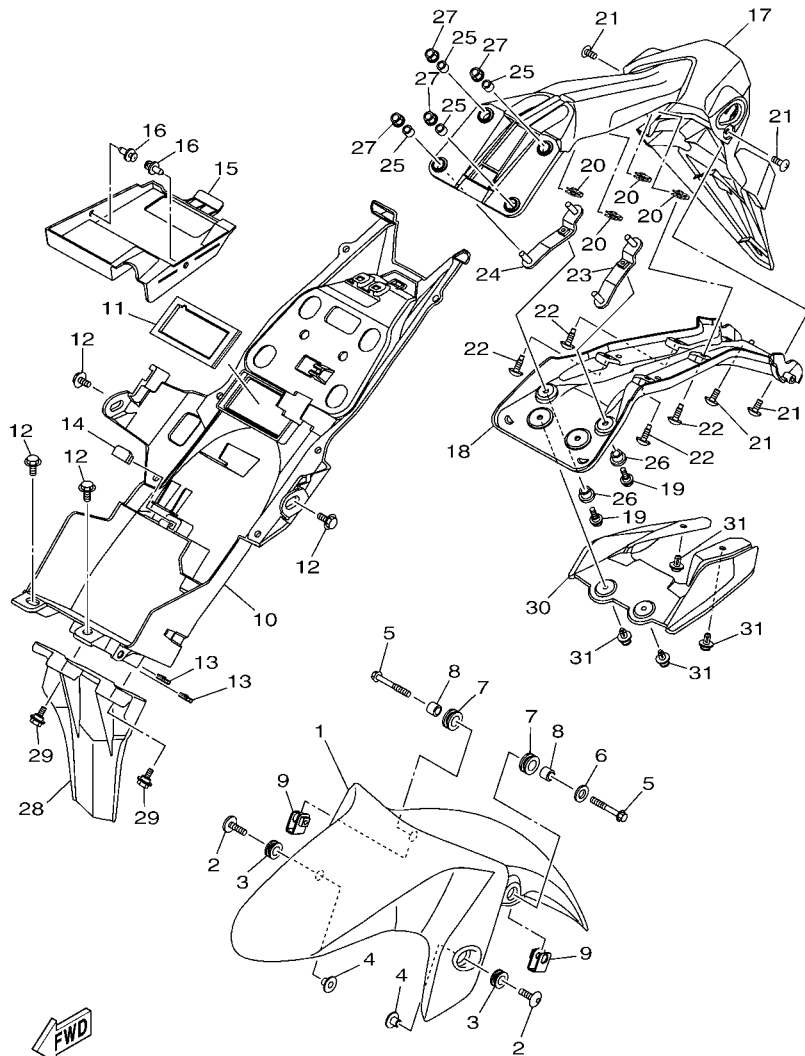
REF. NO.	PART NO.	DESCRIPTION	B041				REMARKS
27	90387-08813	COLLAR	1				
28	5TP-E4747-00	DAMPER, MUFFLER	1				
29	90480-01558	GROMMET	2				



B041460-R180

FIG. 18 FENDER

REF. NO.	PART NO.	DESCRIPTION	B041				REMARKS
1	1WD-F1511-00-P4	FENDER, FRONT	1				UR FOR MS1
	1WD-F1511-00-P5	FENDER, FRONT	1				UR FOR RM7
	1WD-F1511-00-P0	FENDER, FRONT	1				UR FOR SMX
2	90111-06137	BOLT,HEX. SOCKET BUTTON	2				
3	90480-12815	GROMMET	2				
4	90387-068C5	COLLAR	2				
5	95027-06045	BOLT, FLANGE	2				
6	90201-06557	WASHER, PLATE	1				
7	90480-15809	GROMMET	2				
8	90387-068L0	COLLAR	2				
9	1WD-F1586-00	BRACKET	2				
10	1WD-F1611-01	FENDER, REAR	1				
11	1WD-F1669-00	SEAL	1				
12	90109-063F1	BOLT	4				
13	90183-05076	NUT, SPRING	2				
14	1WD-F16A2-00	SEAL, 2	1				
15	1WD-F163E-00	COVER, REAR FENDER 2	1				
16	90269-06081	RIVET	2				
17	1WD-F1629-01	GUARD, MUD	1				
18	1WD-F1617-00	BRACKET, FENDER	1				
19	90111-05021	BOLT,HEX. SOCKET BUTTON	2				
20	90183-050A7	NUT, SPRING	4				
21	97707-50016	SCREW, TRUSS HEAD TAPPING	4				
22	90111-05018	BOLT,HEX. SOCKET BUTTON	4				
23	1WD-F1688-00	BRACKET, REAR STAY	1				
24	1WD-F1689-00	BRACKET, REAR STAY 2	1				
25	90387-066J9	COLLAR	4				



B041460-R180

FIG. 18 FENDER

REF. NO.	PART NO.	DESCRIPTION	B041				REMARKS
26	90387-068L9	COLLAR	2				
27	95602-06200	NUT, SELF-LOCKING	4				
28	1WD-F1621-00	FLAP	1				
29	90109-05003	BOLT	2				
30	1WD-F163A-00	COVER, REAR FENDER 1	1				
31	90269-06081	RIVET	4				

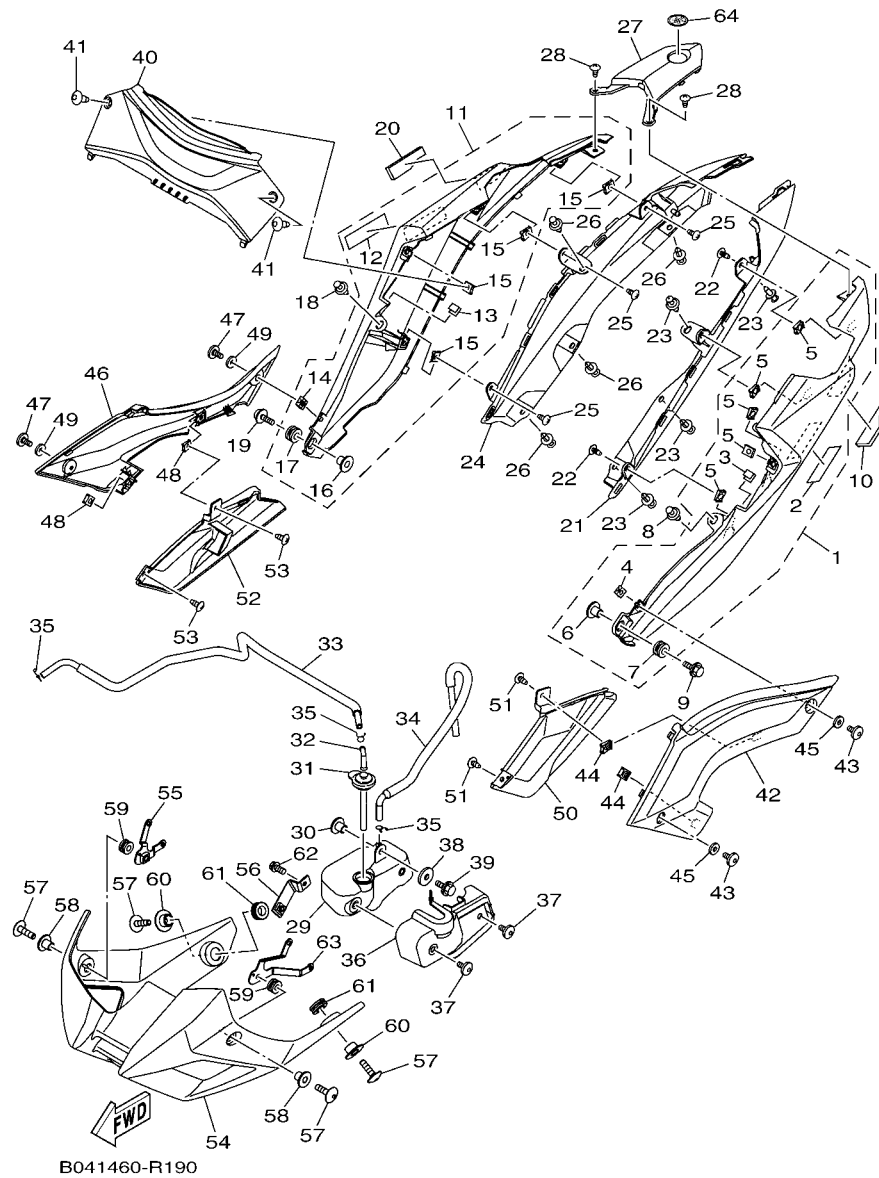


FIG. 19 SIDE COVER

REF. NO.	PART NO.	DESCRIPTION	B041			REMARKS
1	B04-XF171-00-P0	COVER, SIDE 1	1			UR FOR MS1
	B04-XF171-00-P1	COVER, SIDE 1	1			UR FOR RM7
	B04-XF171-00-P2	COVER, SIDE 1	1			UR FOR SMX
2	B04-F1781-00	.EMBLEM 1	1			UR FOR MS1
	B04-F1781-10	.EMBLEM 1	1			UR FOR RM7
	B04-F1781-20	.EMBLEM 1	1			UR FOR SMX
3	31B-F8307-00	.SEAL	1			
4	90183-050A7	.NUT, SPRING	1			
5	90183-05807	.NUT, SPRING	5			
6	90387-06899	.COLLAR	1			
7	90480-12808	.GROMMET	1			
8	90269-06081	RIVET	1			
9	90119-06810	BOLT, WITH WASHER	1			
10	B04-F8307-00	SEAL	1			
11	B04-XF172-00-P0	COVER, SIDE 2	1			UR FOR MS1
	B04-XF172-00-P1	COVER, SIDE 2	1			UR FOR RM7
	B04-XF172-00-P2	COVER, SIDE 2	1			UR FOR SMX
12	B04-F1781-00	.EMBLEM 1	1			UR FOR MS1
	B04-F1781-10	.EMBLEM 1	1			UR FOR RM7
	B04-F1781-20	.EMBLEM 1	1			UR FOR SMX
13	31B-F8307-00	.SEAL	1			
14	90183-050A7	.NUT, SPRING	1			
15	90183-05807	.NUT, SPRING	4			
16	90387-06899	.COLLAR	1			
17	90480-12808	.GROMMET	1			
18	90269-06081	RIVET	1			
19	90119-06810	BOLT, WITH WASHER	1			

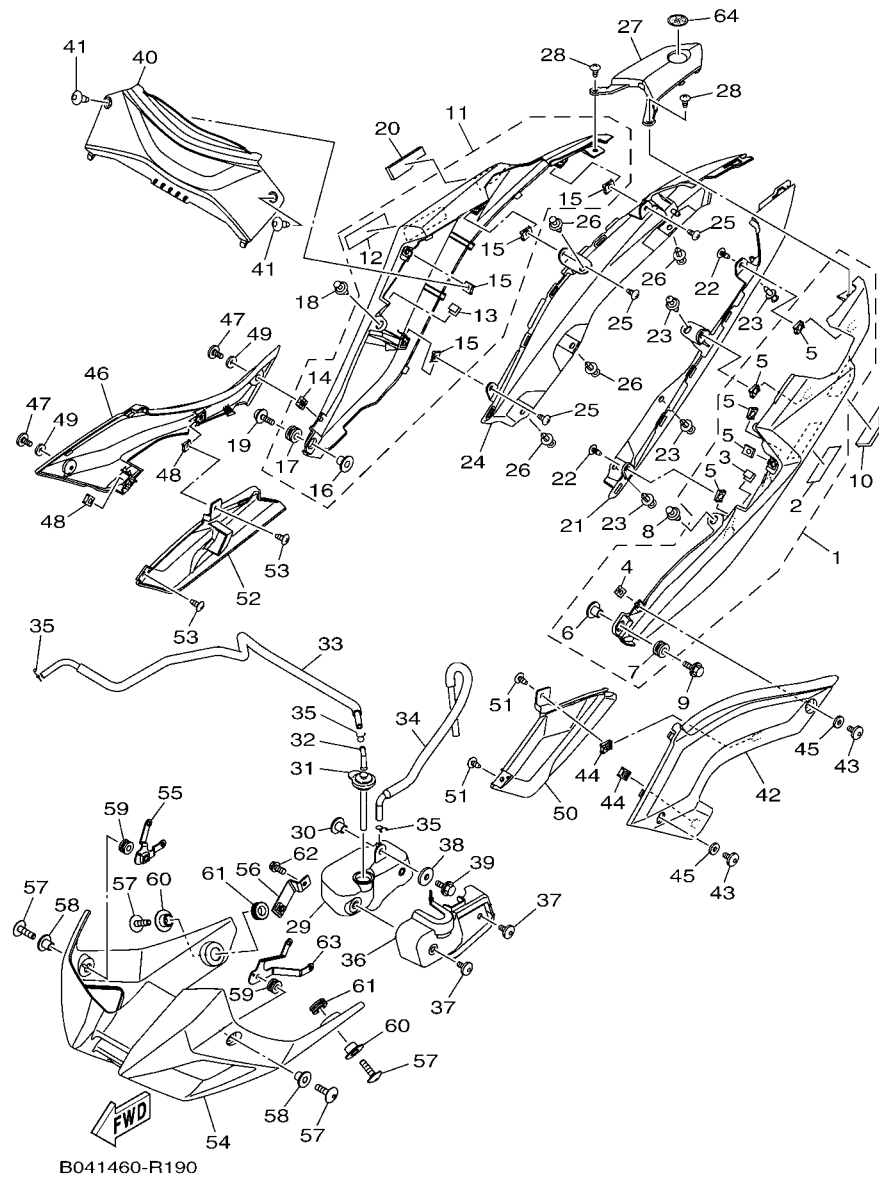


FIG. 19 SIDE COVER

REF. NO.	PART NO.	DESCRIPTION	B041				REMARKS
20	B04-F8307-10	SEAL	1				
21	1WD-F171L-00	MOLE, SIDE COVER 1	1				
22	97707-50016	SCREW, TRUSS HEAD TAPPING	2				
23	90269-06081	RIVET	4				
24	1WD-F171M-00	MOLE, SIDE COVER 2	1				
25	97707-50016	SCREW, TRUSS HEAD TAPPING	3				
26	90269-06081	RIVET	4				
27	1WD-F171N-00	MOLE, SIDE COVER 3	1				
28	97707-50016	SCREW, TRUSS HEAD TAPPING	2				
29	1WD-F1871-00	TANK, RECOVERY	1				
30	90387-06857	COLLAR	1				
31	1WD-F1875-00	CAP	1				
32	3C1-F1828-00	ELBOW	1				
33	1WD-F1816-00	PIPE 1	1				
34	1WD-F1817-00	PIPE 2	1				
35	90467-08003	CLIP	3				
36	1WD-F172W-00	COVER	1				
37	90111-05003	BOLT,HEX. SOCKET BUTTON	2				
38	90201-06380	WASHER PLAIN	1				
39	95807-06014	BOLT, FLANGE	1				
40	1WD-F1731-00-P4	COVER, SIDE 3	1				MBL2 FOR MS1,SMX
	1WD-F1731-00-P0	COVER, SIDE 3	1				SMX FOR RM7
41	90160-05808	SCREW, ROUND TAPPING	2				
42	B04-F171E-00-P0	COVER, SIDE 5	1				UR MBL2 FOR MS1
	B04-F171E-00-P1	COVER, SIDE 5	1				UR S8 FOR RM7,SMX
43	90111-05003	BOLT,HEX. SOCKET BUTTON	2				
44	90183-05807	NUT, SPRING	2				

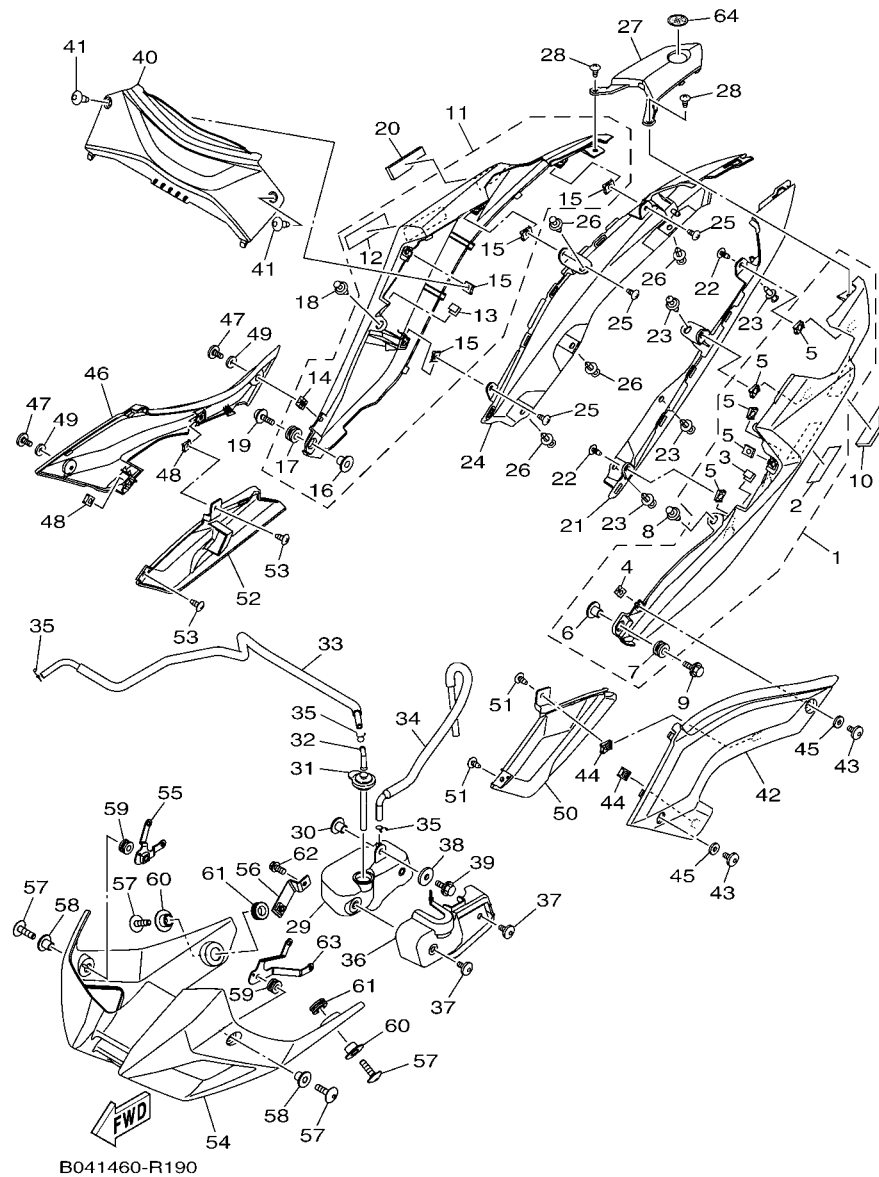
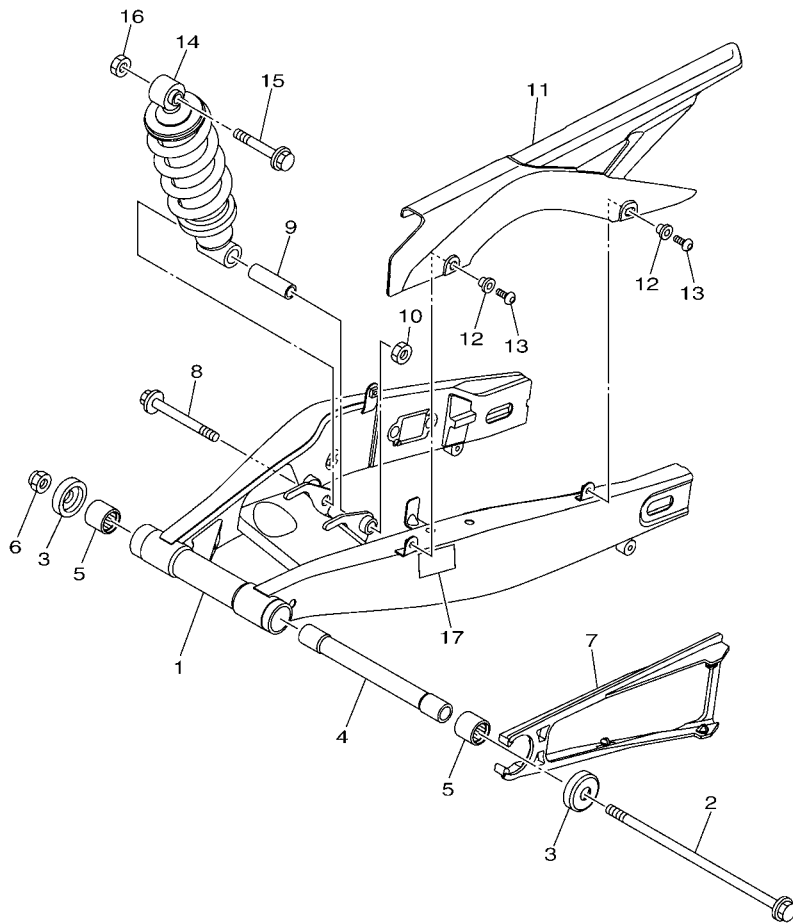


FIG. 19 SIDE COVER

REF. NO.	PART NO.	DESCRIPTION	B041				REMARKS
45	90202-05180	WASHER, PLATE	2				
46	B04-F171X-00-P0	COVER, SIDE 6	1				UR MBL2 FOR MS1
	B04-F171X-00-P1	COVER, SIDE 6	1				UR S8 FOR RM7,SMX
47	90111-05003	BOLT,HEX. SOCKET BUTTON	2				
48	90183-05807	NUT, SPRING	2				
49	90202-05180	WASHER, PLATE	2				
50	B04-F1716-00	LID, SIDE COVER	1				
51	97702-50012	SCREW, TAPPING	2				
52	B04-F1726-00	LID, SIDE COVER 2	1				
53	97702-50012	SCREW, TAPPING	2				
54	B04-F8385-00-P0	COVER, UNDER	1				UR FOR MS1
	B04-F8385-00-P1	COVER, UNDER	1				UR FOR RM7
	B04-F8385-00-P2	COVER, UNDER	1				UR FOR SMX
55	B04-F833F-00	BRACKET 9	1				
56	B04-F833G-00	BRACKET 10	1				
57	90111-06117	BOLT,HEX. SOCKET BUTTON	4				
58	90387-06899	COLLAR	2				
59	90480-12808	GROMMET	2				
60	90387-09801	COLLAR	2				
61	90480-18418	GROMMET	2				
62	95022-06012	BOLT, FLANGE	1				
63	B04-F833E-00	BRACKET 8	1				
64	1PA-F836B-00	TUNING FORK MARK	1				

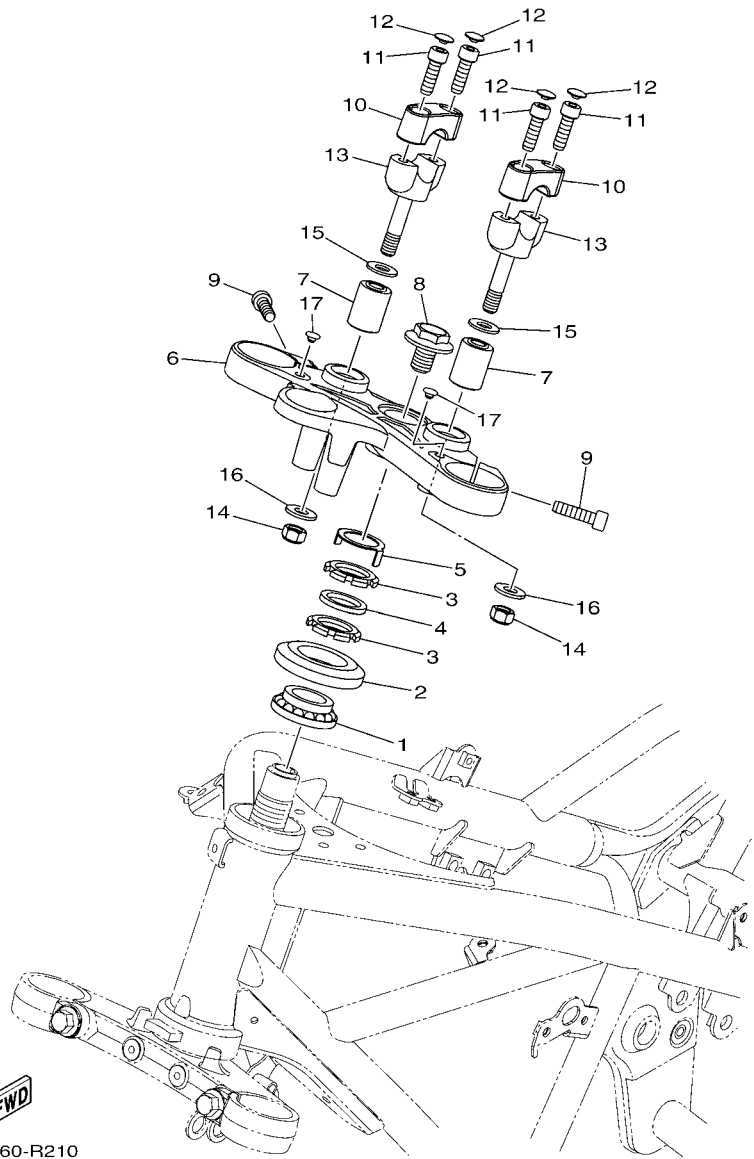


B041460-R200

FIG. 20 REAR ARM & SUSPENSION

REF. NO.	PART NO.	DESCRIPTION	B041				REMARKS
1	1WD-F2110-00	REAR ARM COMP.	1				
2	1WD-22141-00	SHAFT, PIVOT	1				
3	1WD-F2129-00	COVER, THRUST 2	2				
4	1WD-F2184-00	BUSH	1				
5	93320-32403	BEARING	2				
6	95602-14200	NUT, SELF-LOCKING	1				
7	1WD-F2151-00	SEAL, GUARD	1				
8	90105-12309	BOLT, FLANGE	1				
9	1WD-F248B-00	COLLAR, ROD 1	1				
10	95602-12100	NUT, U	1				
11	1WD-F2311-00	CASE, CHAIN	1				
12	90387-06242	COLLAR	2				
13	90111-06119	BOLT, HEX. SOCKET BUTTON	2				
14	1WD-F2210-00	SHOCK ABSORBER ASSY, REAR	1				
15	90105-12093	BOLT, FLANGE	1				
16	95602-12100	NUT, U	1				
17	1WD-F1668-00	LABEL, TIRE	1				

FIG. 21 STEERING



B041460-R210

REF. NO.	PART NO.	DESCRIPTION	B041				REMARKS
1	93399-999Y3	BEARING	1				
2	5BP-F3416-00	COVER, BALL RACE 2	1				
3	90179-25615	NUT	2				
4	90202-26142	WASHER, PLATE	1				
5	5BP-F3418-00	WASHER, SPECIAL	1				
6	B04-F3435-00	CROWN, HANDLE	1				
7	90388-10816	DAMPER	2				
8	90105-14102	BOLT, FLANGE	1				
9	91317-08030	BOLT	2				
10	B04-F3441-00-P2	HOLDER, HANDLE UPPER	2				MBL2
11	91317-08025	BOLT	4				
12	90338-06810	PLUG	4				
13	B04-F3442-00	HOLDER, HANDLE LOWER	2				
14	95607-10100	NUT, U	2				
15	92902-10200	WASHER	2				
16	90201-10829	WASHER, PLATE	2				
17	90338-06809	PLUG	2				

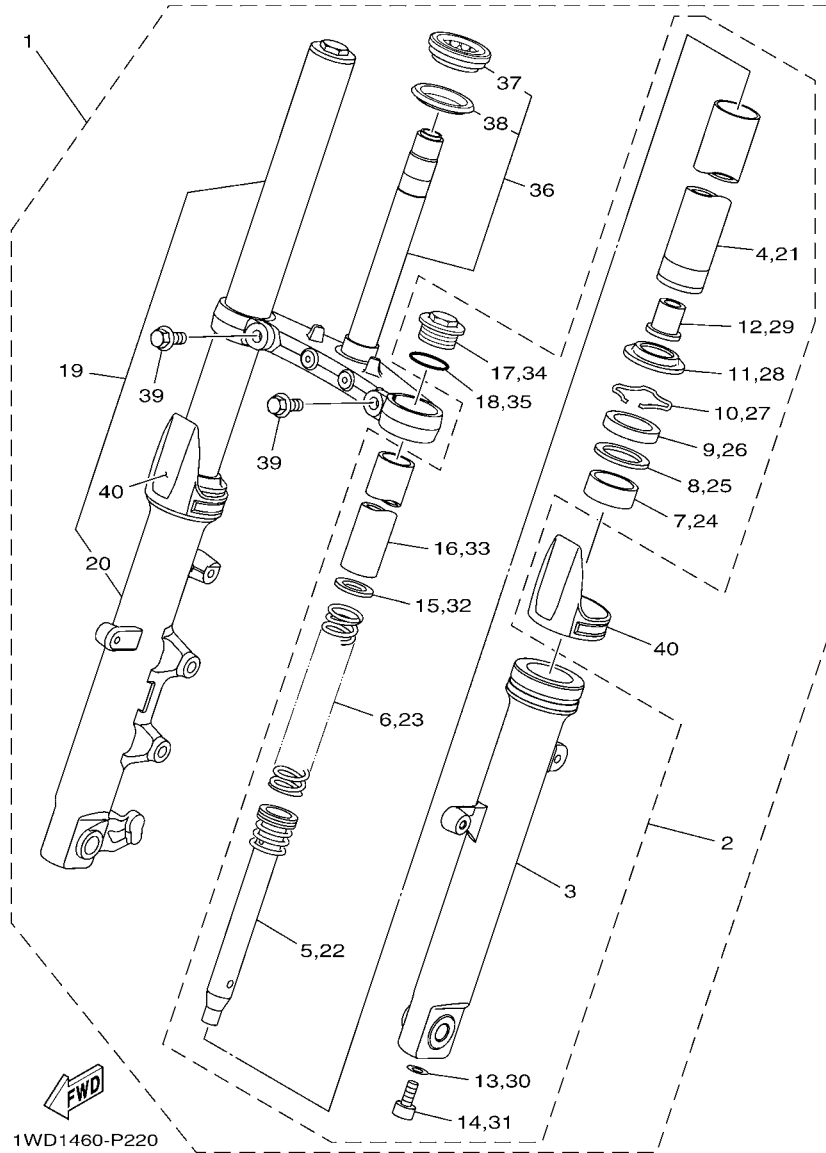


FIG. 22 FRONT FORK

REF. NO.	PART NO.	DESCRIPTION	B041				REMARKS
1	1WD-F3100-00	FRONT FORK ASSY	1				
2	1WD-F3102-00	..FRONT FORK ASSY (L.H)	1				
3	1WD-F3126-00	..TUBE, OUTER (L.H)	1				
4	1WD-F3110-00	..INNER TUBE COMP.1	1				
5	1WD-F3170-00	..CYLINDER COMP., FRONT FORK	1				
6	1WD-F3141-00	..SPRING, FRONT FORK	1				
7	45P-F3125-00	..METAL, SLIDE 1	1				
8	45P-F3146-00	..WASHER, OIL SEAL	1				
9	45P-F3145-00	..OIL SEAL	1				
10	45P-F3156-00	..RING, SNAP	1				
11	45P-F3144-00	..SEAL, DUST	1				
12	1WD-F3173-00	..SPINDLE, TAPER	1				
13	509-F3158-L0	..GASKET	1				
14	31B-F3181-00	..BOLT, HEXAGON SOCKET HEAD	1				
15	45P-F3149-00	..WASHER, SPRING UPPER	1				
16	1WD-F3118-00	..SPACER	1				
17	45P-F3111-00	..BOLT, CAP	1				
18	45P-F3188-00	..O-RING	1				
19	1WD-F3103-00	..FRONT FORK ASSY (R.H)	1				
20	1WD-F3136-00	..TUBE, OUTER	1				
21	1WD-F3110-00	..INNER TUBE COMP.1	1				
22	1WD-F3170-00	..CYLINDER COMP., FRONT FORK	1				
23	1WD-F3141-00	..SPRING, FRONT FORK	1				
24	45P-F3125-00	..METAL, SLIDE 1	1				
25	45P-F3146-00	..WASHER, OIL SEAL	1				
26	45P-F3145-00	..OIL SEAL	1				
27	45P-F3156-00	..RING, SNAP	1				

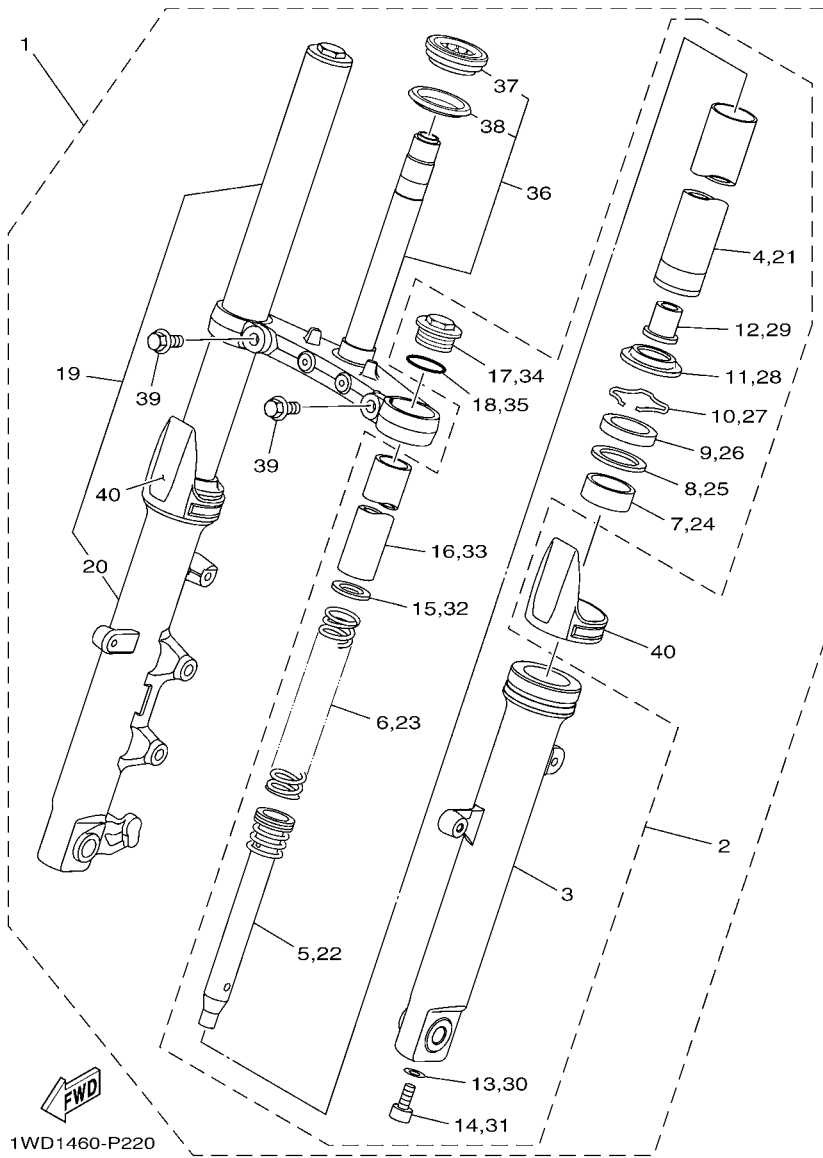
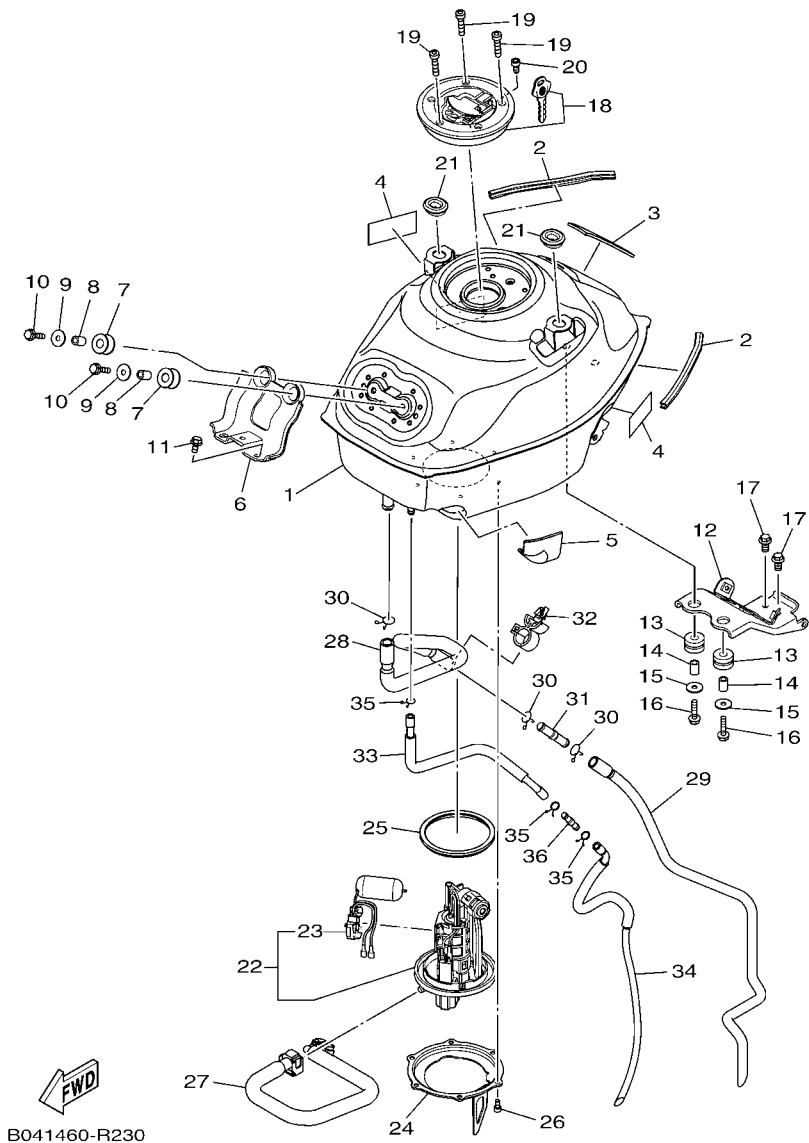


FIG. 22 FRONT FORK

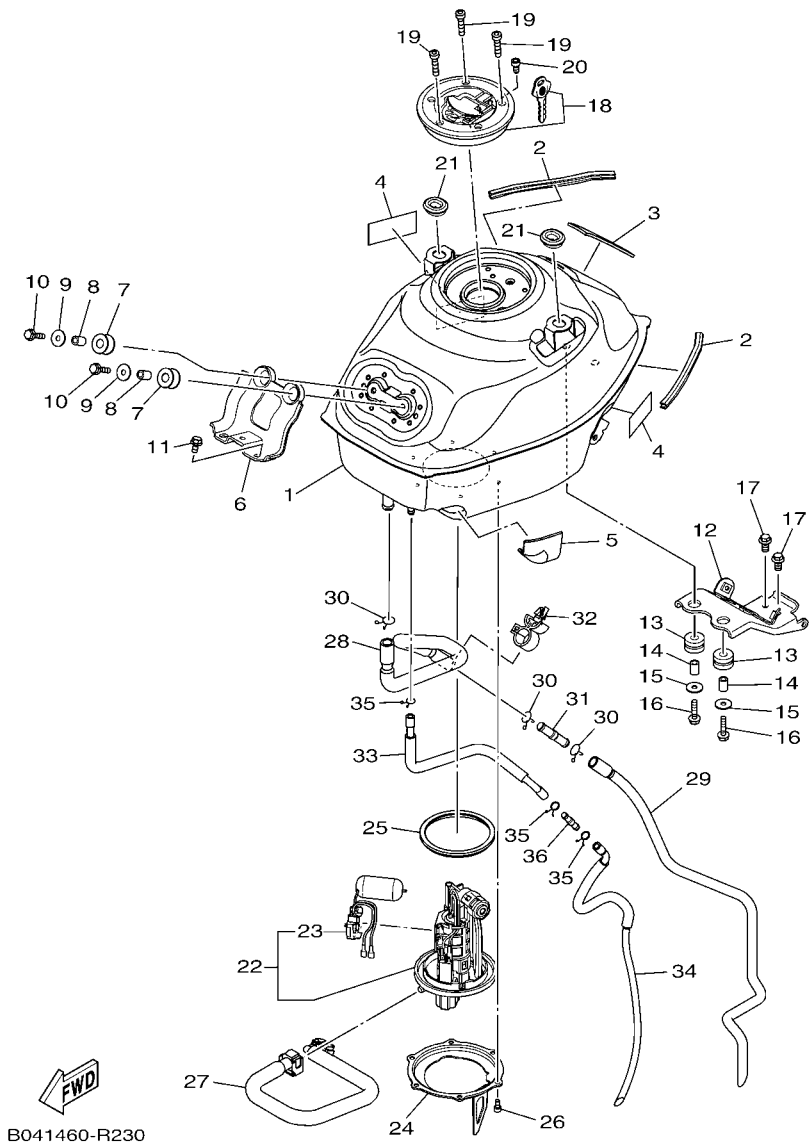
REF. NO.	PART NO.	DESCRIPTION	B041				REMARKS
28	45P-F3144-00	..SEAL, DUST	1				
29	1WD-F3173-00	..SPINDLE, TAPER	1				
30	509-F3158-L0	..GASKET	1				
31	31B-F3181-00	..BOLT, HEXAGON SOCKET HEAD	1				
32	45P-F3149-00	..WASHER, SPRING UPPER	1				
33	1WD-F3118-00	..SPACER	1				
34	45P-F3111-00	..BOLT, CAP	1				
35	45P-F3188-00	..O-RING	1				
36	1WD-F3340-00	..UNDER BRACKET COMP.	1				
37	93399-99932	..BEARING	1				
38	3FV-23462-00	..SEAL, STEERING	1				
39	45P-F3346-00	..BOLT 1	2				
40	1WS-2331G-00	..COVER	2				



B041460-R230

FIG. 23 FUEL TANK

REF. NO.	PART NO.	DESCRIPTION	B041				REMARKS
1	1WD-F4110-00	FUEL TANK COMP.	1				
2	1WD-F4188-00	MOLD, FUEL TANK	2				
3	90520-03823	DAMPER, PLATE	1				
4	5D9-F414G-00	SEAL	2				
5	45P-F414H-00	DAMPER, PLATE 1	1				
6	1WD-F412Y-00	BRACKET, TANK FITTING	1				
7	1WD-F4339-00	GROMMET	2				
8	90387-06299	COLLAR	2				
9	90201-06380	WASHER PLAIN	2				
10	95822-06025	BOLT, FLANGE	2				
11	95812-06012	BOLT, FLANGE	2				
12	1WD-F4191-00	BRACKET, FUEL TANK 1	1				
13	90480-15807	GROMMET	2				
14	90387-06299	COLLAR	2				
15	90201-06380	WASHER PLAIN	2				
16	95822-06025	BOLT, FLANGE	2				
17	95022-08014	BOLT, FLANGE	2				
18	1WD-WF461-00	CAP ASSY	1				
19	90110-05806	BOLT, HEXAGON SOCKET HEAD	3				
20	91312-05010	BOLT	1				
21	90480-01558	GROMMET	2				
22	1WD-E3907-00	FUEL PUMP COMP.	1				
23	1WD-H5752-00	SENDER UNIT ASSY, FUEL METER	1				
24	1WD-F4491-00	BRACKET, FUEL PUMP	1				
25	3C1-F4486-00	O-RING	1				
26	91312-05010	BOLT	6				
27	1WD-E3971-00	PIPE, FUEL 1	1				



B041460-R230

FIG. 23 FUEL TANK

REF. NO.	PART NO.	DESCRIPTION	B041				REMARKS
28	1WD-F4312-00	PIPE 2	1				
29	1WD-F4314-00	PIPE 4	1				
30	90467-15012	CLIP	3				
31	1WD-F4376-00	PIPE, JOINT 1	1				
32	90464-16012	CLAMP	1				
33	1WD-F4313-01	PIPE 3	1				
34	1WD-F4315-00	PIPE 5	1				
35	90467-09006	CLIP	3				
36	4XY-14568-00	JOINT	1				

FIG. 24 FUEL TANK 2

REF. NO.	PART NO.	DESCRIPTION	B041			REMARKS
1	B04-XF41D-00-P0	TANK SIDE COVER 1	1			MBL2
2	B04-F4254-00	.GRAPHIC, FUEL TANK 7	1			
3	31B-F1568-B0	.LABEL, WARNING	1			
4	90387-06899	COLLAR	1			
5	90111-06117	BOLT,HEX. SOCKET BUTTON	1			
6	90480-12808	GROMMET	1			
7	97702-50012	SCREW, TAPPING	6			
8	B04-F414E-00	SEAL 2	1			
9	B04-XF41C-00-P0	TANK SIDE COVER 1	1			UR FOR MS1
	B04-XF41C-00-P1	TANK SIDE COVER 1	1			UR FOR RM7
	B04-XF41C-00-P2	TANK SIDE COVER 1	1			UR FOR SMX
10	1WD-F413B-00	.EMBLEM	1			
11	B04-F4244-00	.GRAPHIC, FUEL TANK 1	1			UR FOR MS1
	B04-F4244-10	.GRAPHIC, FUEL TANK 1	1			UR FOR RM7
	B04-F4244-20	.GRAPHIC, FUEL TANK 1	1			UR FOR SMX
12	90183-05807	NUT, SPRING	4			
13	B04-F4121-00-P0	SEAT, KNEE GRIP 1	1			UR FOR MS1
	B04-F4121-00-P1	SEAT, KNEE GRIP 1	1			UR FOR RM7,SMX
14	90387-06899	COLLAR	2			
15	90119-05020	BOLT, WITH WASHER	2			
16	90480-12808	GROMMET	2			
17	97702-50012	SCREW, TAPPING	2			
18	90183-05807	NUT, SPRING	1			
19	B04-F41A3-00	SEAL 3	1			
20	B04-F41A4-00	SEAL 4	1			
21	B04-XF413-00-P0	TANK SIDE COVER 2	1			UR FOR MS1
	B04-XF413-00-P1	TANK SIDE COVER 2	1			UR FOR RM7

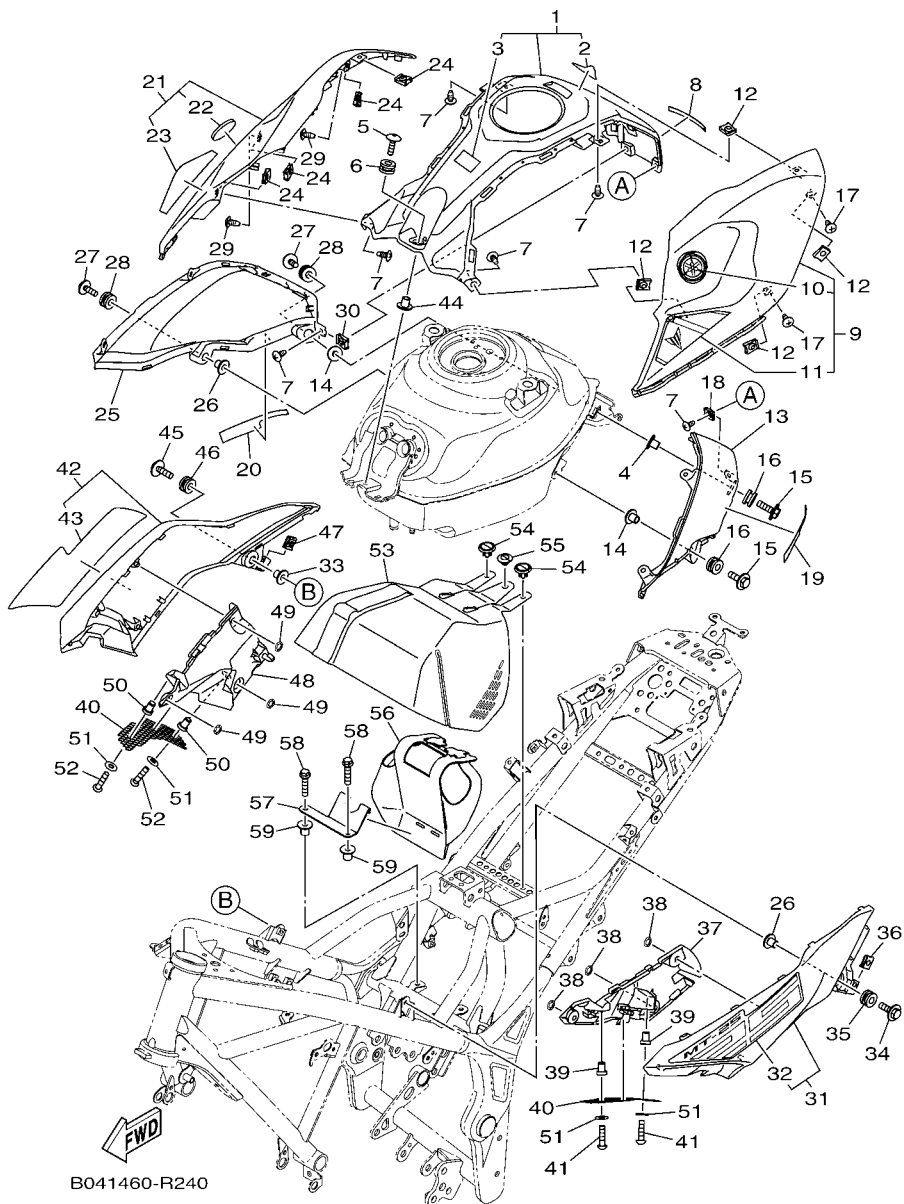
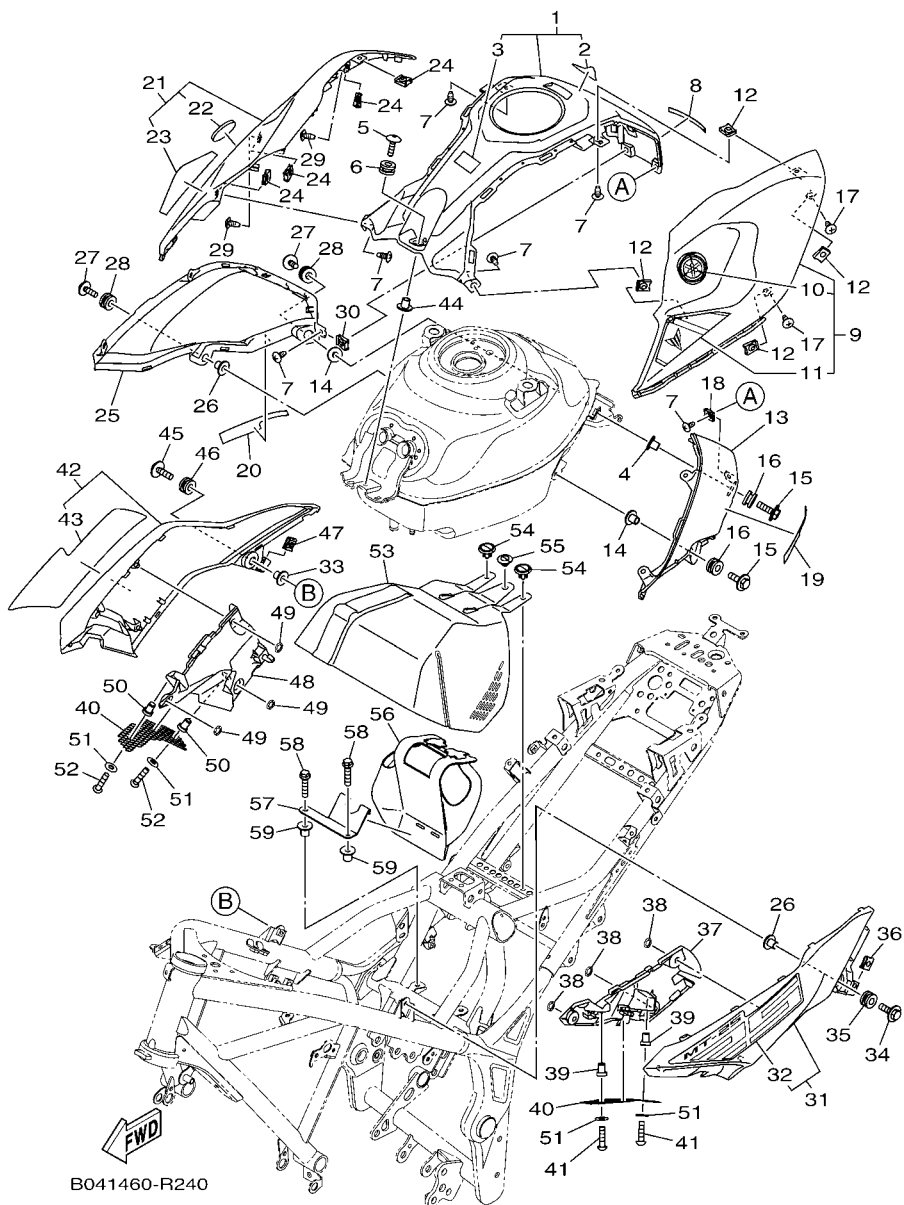


FIG. 24 FUEL TANK 2

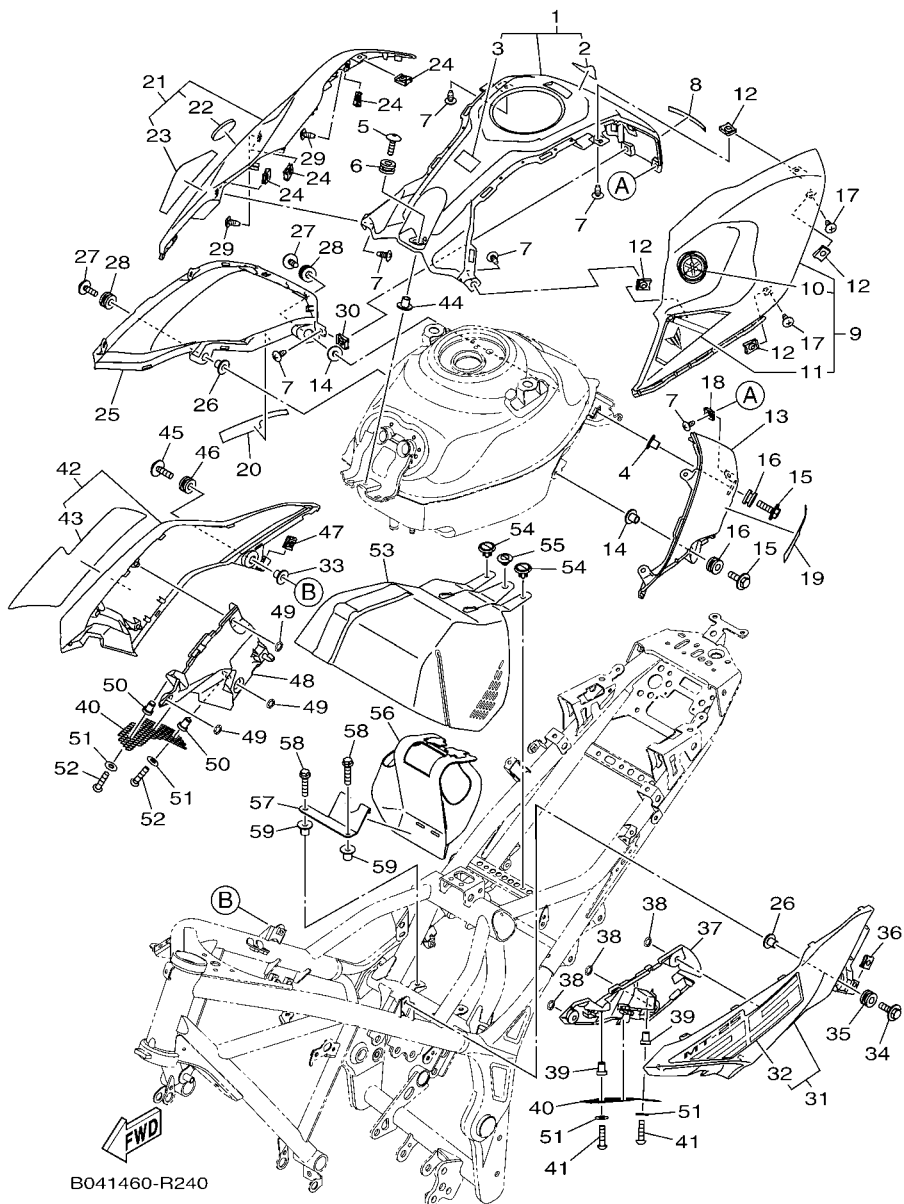


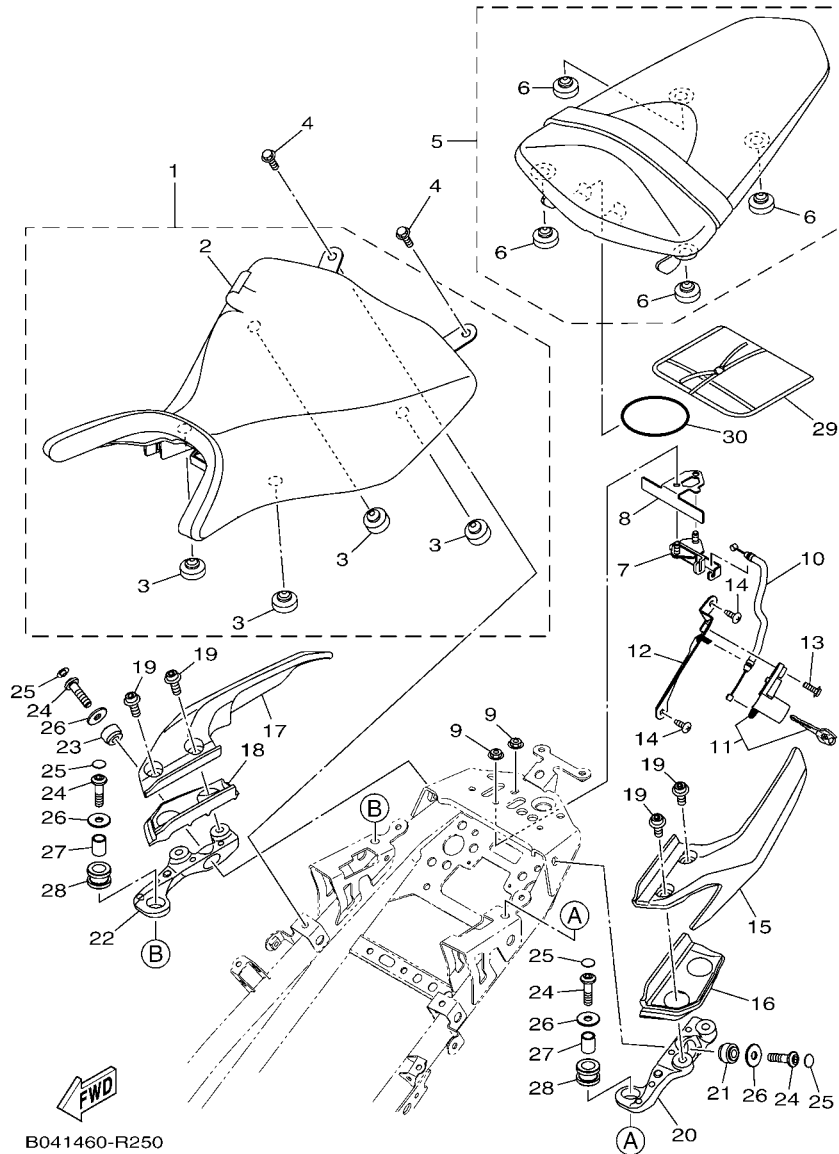
B041460-R240

REF. NO.	PART NO.	DESCRIPTION	B041			REMARKS
21	B04-XF413-00-P2	TANK SIDE COVER 2	1			UR FOR SMX
22	1WD-F413B-00	.EMBLEM	1			
23	B04-F4245-00	.GRAPHIC, FUEL TANK 2	1			UR FOR MS1
	B04-F4245-10	.GRAPHIC, FUEL TANK 2	1			UR FOR RM7
	B04-F4245-20	.GRAPHIC, FUEL TANK 2	1			UR FOR SMX
24	90183-05807	NUT, SPRING	4			
25	B04-F4122-00-P0	SEAT, KNEE GRIP 2	1			UR FOR MS1
	B04-F4122-00-P1	SEAT, KNEE GRIP 2	1			UR FOR RM7,SMX
26	90387-06899	COLLAR	2			
27	90119-05020	BOLT, WITH WASHER	2			
28	90480-12808	GROMMET	2			
29	97702-50012	SCREW, TAPPING	2			
30	90183-05807	NUT, SPRING	1			
31	B04-XF137-00-P0	SCOOP & GUIDE AIR 1	1			UR MBL2 FOR MS1
	B04-XF137-10-P0	SCOOP & GUIDE AIR 1	1			UR MBL2 FOR RM7
	B04-XF137-20-P0	SCOOP & GUIDE AIR 1	1			UR MBL2 FOR SMX
32	B04-F137N-00	.GRAPHIC 1	1			UR FOR MS1
	B04-F137N-10	.GRAPHIC 1	1			UR FOR RM7
	B04-F137N-20	.GRAPHIC 1	1			UR FOR SMX
33	90387-06899	COLLAR	1			
34	90119-06810	BOLT, WITH WASHER	1			
35	90480-12808	GROMMET	1			
36	90183-050A7	NUT, SPRING	1			
37	B04-F836K-00	PANEL, INNER 1	1			
38	90183-05M02	NUT, SPRING	3			
39	90179-04003	NUT	2			
40	B04-F837N-00	GRILL, AIR INTAKE 1	2			

FIG. 24 FUEL TANK 2

REF. NO.	PART NO.	DESCRIPTION	B041				REMARKS
41	92017-04020	BOLT, BUTTON HEAD	2				
42	B04-XF13A-00-P0	SCOOP & GUIDE AIR 2	1				UR MBL2 FOR MS1
	B04-XF13A-10-P0	SCOOP & GUIDE AIR 2	1				UR MBL2 FOR RM7
	B04-XF13A-20-P0	SCOOP & GUIDE AIR 2	1				UR MBL2 FOR SMX
43	B04-F137P-20	.GRAPHIC 2	1				UR FOR SMX
	B04-F137P-00	.GRAPHIC 2	1				UR FOR MS1
	B04-F137P-10	.GRAPHIC 2	1				UR FOR RM7
44	90387-06899	COLLAR	1				
45	90119-06810	BOLT, WITH WASHER	1				
46	90480-12808	GROMMET	1				
47	90183-050A7	NUT, SPRING	1				
48	B04-F836L-00	PANEL, INNER 2	1				
49	90183-05M02	NUT, SPRING	3				
50	90179-04003	NUT	2				
51	92907-04200	WASHER	4				
52	92017-04020	BOLT, BUTTON HEAD	2				
53	B04-E449E-00	COVER, AIR CLEANER	1				
54	90269-07076	RIVET	2				
55	90269-09001	RIVET	1				
56	B04-F1642-00	GUARD, FLAP	1				
57	B04-F1533-00	STAY, FLAP	1				
58	95022-06025	BOLT, FLANGE	2				
59	90387-06M60	COLLAR	2				



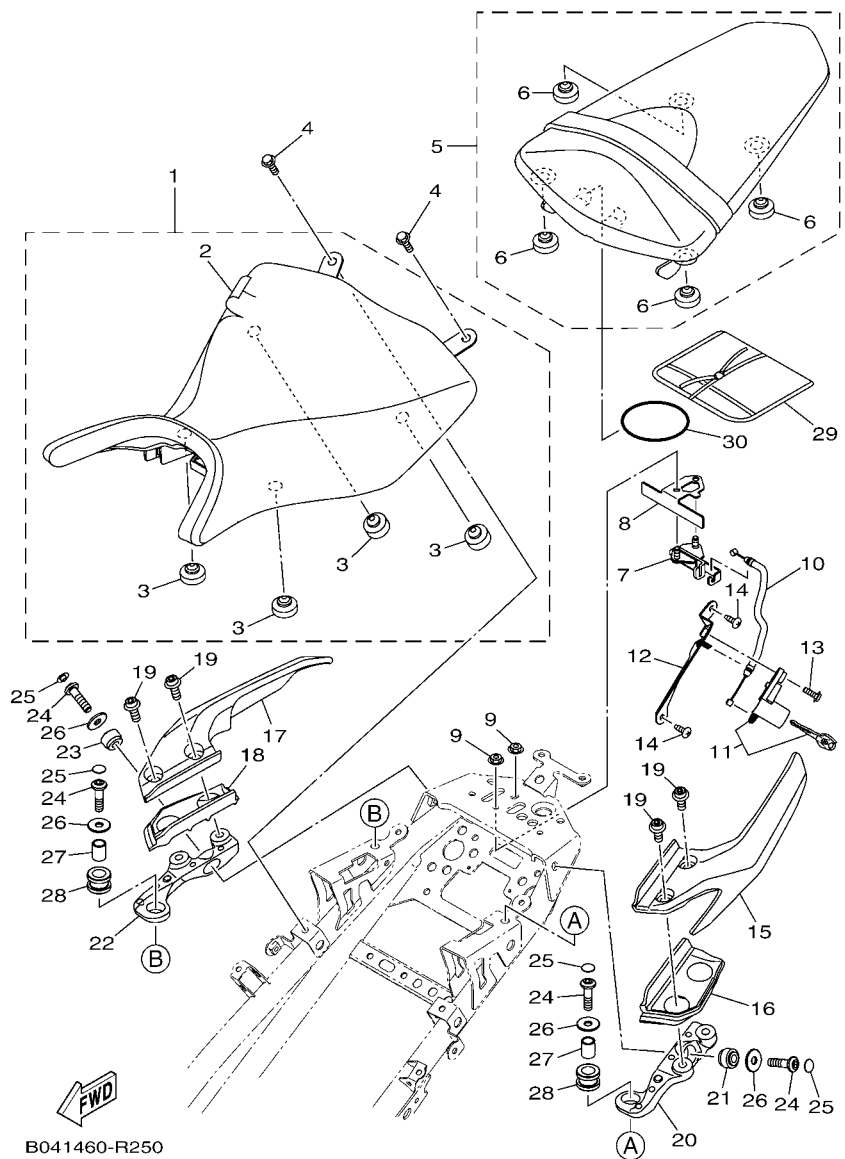


B041460-R250

FIG. 25 SEAT

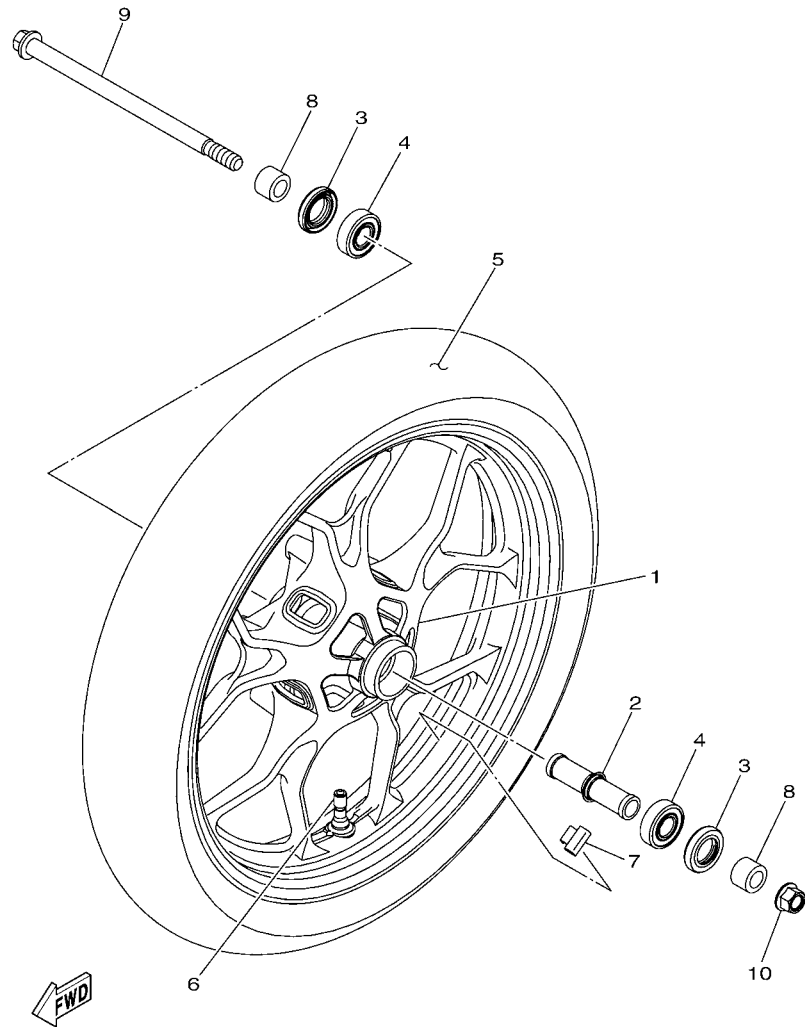
REF. NO.	PART NO.	DESCRIPTION	B041				REMARKS
1	B04-F4710-00	SINGLE SEAT ASSY	1				
2	1WD-F4711-00	.COVER, SINGLE SEAT	1				
3	5BP-F4741-00	.PAD, SEAT	4				
4	95022-06012	BOLT, FLANGE	2				
5	1WD-F4750-00	TANDEM SEAT ASSY	1				
6	3C1-F4741-00	.PAD, SEAT	4				
7	1WD-F4780-00	SEAT LOCK ASSY	1				
8	1WD-F4792-00	PLATE	1				
9	95707-06500	NUT, FLANGE	2				
10	1WD-F478E-00	CABLE, SEAT LOCK	1				
11	1WD-WF479-00	ROTOR SUB ASSY WITH KEY	1				
12	1WD-F117K-00	STAY, LOCK	1				
13	90159-06054	SCREW, WITH WASHER	1				
14	97702-50016	SCREW, TAPPING	2				
15	B04-F474A-00-P0	ASSIST, GRIP	1				UR MBL2 FOR MS1
	B04-F474A-00-P1	ASSIST, GRIP	1				UR S8 FOR RM7,SMX
16	B04-F4845-00	COVER 1	1				
17	B04-F474W-00-P0	ASSIST,GRIP 2	1				UR MBL2 FOR MS1
	B04-F474W-00-P1	ASSIST,GRIP 2	1				UR S8 FOR RM7,SMX
18	B04-F4846-00	COVER 2	1				
19	90110-08805	BOLT, HEXAGON SOCKET HEAD	4				
20	B04-F474H-00	BRACKET, ASSIST GRIP 1	1				
21	90388-08802	DAMPER	1				
22	B04-F474J-00	BRACKET, ASSIST GRIP 2	1				
23	90388-08802	DAMPER	1				
24	90111-08826	BOLT,HEX. SOCKET BUTTON	4				
25	90338-06810	PLUG	4				

FIG. 25 SEAT



B041460-R250

REF. NO.	PART NO.	DESCRIPTION	B041				REMARKS
26	90201-08119	WASHER, PLATE	4				
27	90387-10842	COLLAR	2				
28	90480-18812	GROMMET	2				
29	1WD-F8100-00	TOOL KIT	1				
30	5TL-H2131-00	BAND, BATTERY	1				

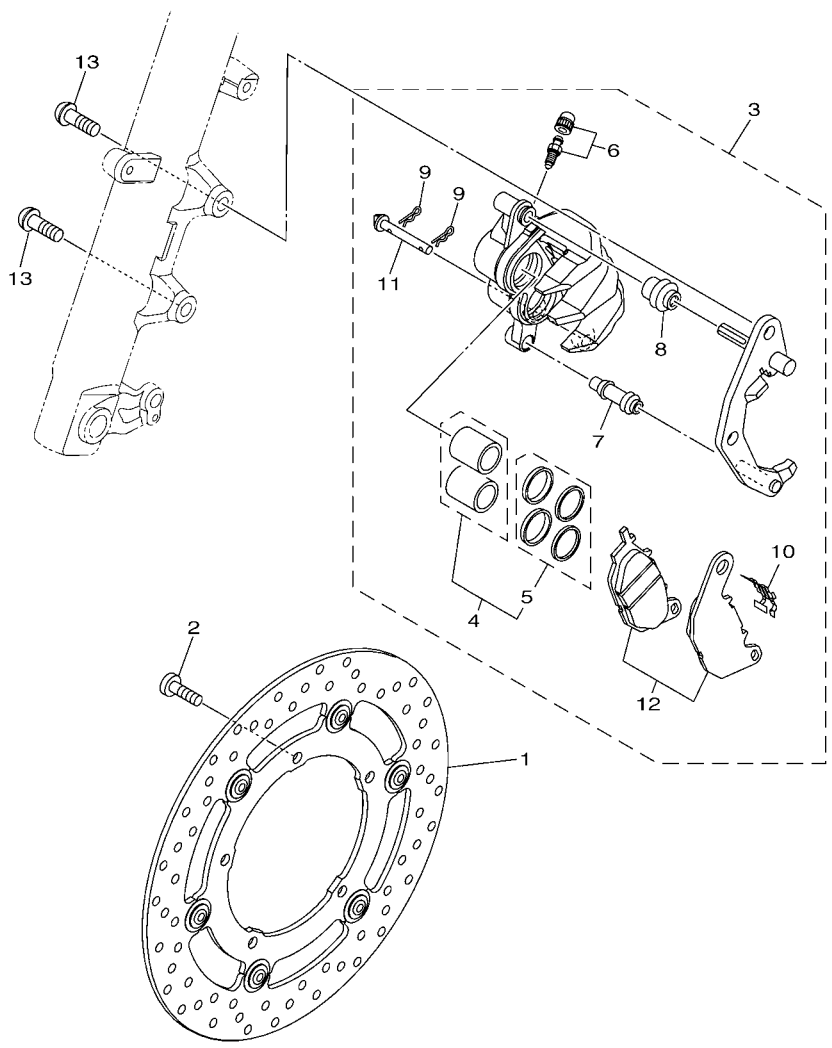


1WD1460-P250

FIG. 26 FRONT WHEEL

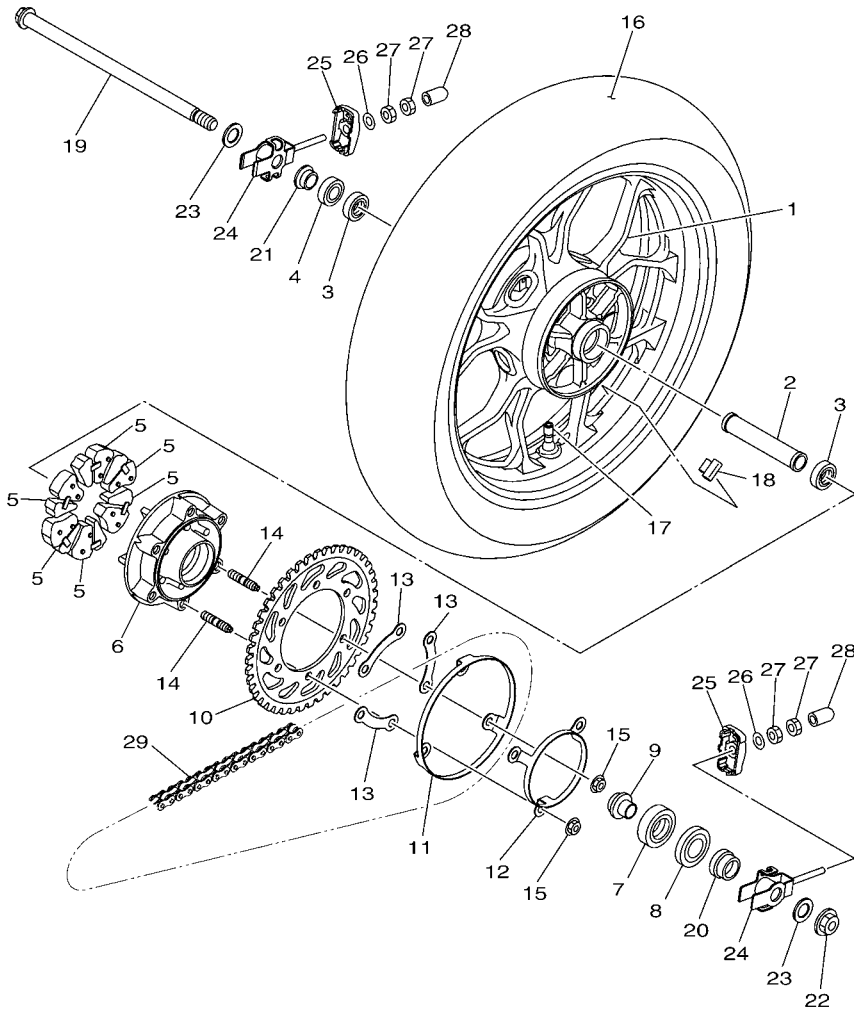
REF. NO.	PART NO.	DESCRIPTION	B041				REMARKS
1	1WD-F5168-00-P0	CAST WHEEL, FRONT	1				DPBM15 FOR MS1
	1WD-F5168-00-98	CAST WHEEL, FRONT	1				LGB FOR RM7,SMX
2	1WD-F510C-00	COLLAR ASSY.	1				
3	93106-26815	OIL SEAL	2				
4	93306-302X4	BEARING	2				
5	94111-17801	TIRE (110/70-17M/C 54S RX-01F)	1				INOUE
6	93900-00828	VALVE, RIM	1				
7	5MT-25398-00	BALANCER, WHEEL (10G)	1				UN
	5MT-25398-10	BALANCER, WHEEL (20G)	1				UN
	5MT-25398-20	BALANCER, WHEEL (30G)	1				UN
8	1PA-F5386-00	COLLAR, SPROCKET AXLE	2				
9	1WD-25181-00	AXLE, WHEEL	1				
10	95602-14200	NUT, SELF-LOCKING	1				

FIG. 27 FRONT BRAKE CALIPER



1WD1460-P260

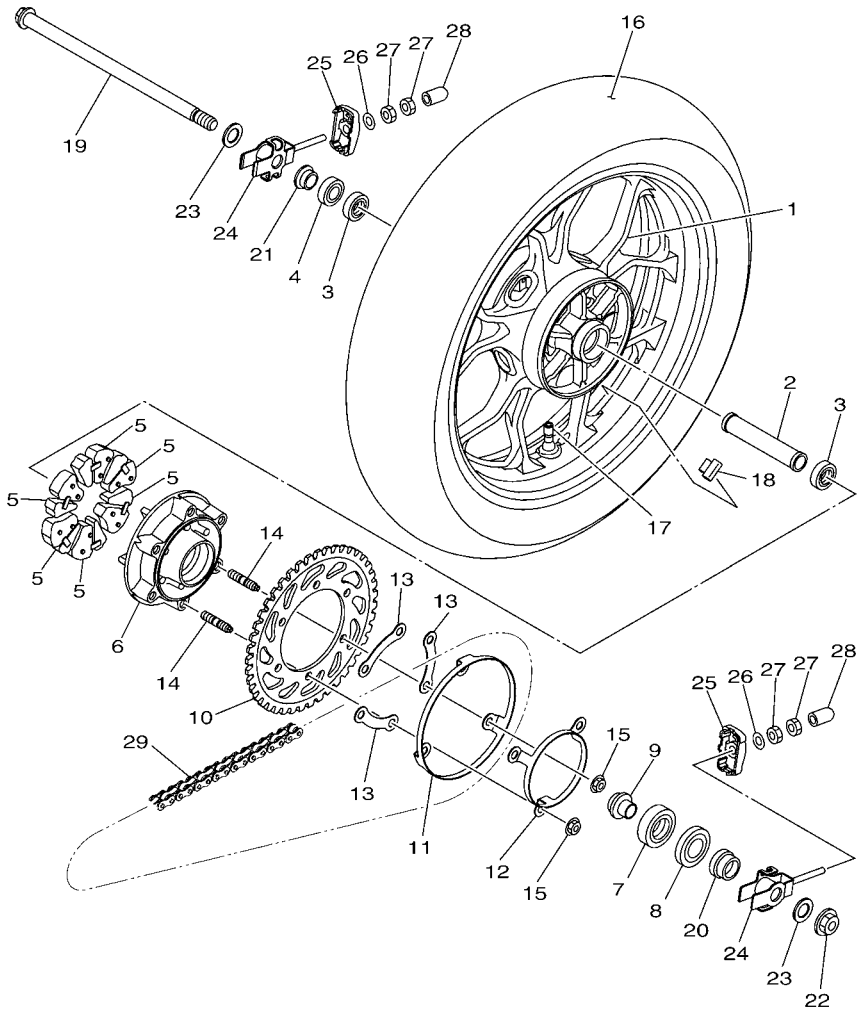
REF. NO.	PART NO.	DESCRIPTION	B041				REMARKS
1	1WD-F581U-00	DISK BRAKE ASSY (RIGHT)	1				
2	90111-08815	BOLT,HEX. SOCKET BUTTON	5				
3	1WD-F580U-00	CALIPER ASSY (RIGHT)	1				
4	1WD-25802-00	.PISTON ASSY, CALIPER	1				
5	1WD-25803-00	..CALIPER SEAL KIT	1				
6	4C9-W0048-00	.BLEED SCREW KIT	1				
7	5YP-F5937-00	.BOOT 2	1				
8	5YP-F5917-00	.BOOT, CALIPER	1				
9	5YP-F5925-01	.CLIP	2				
10	1WD-F5919-00	.SUPPORT, PAD	1				
11	5YP-F5924-00	.PIN, PAD	1				
12	1WD-25805-00	.BRAKE PAD KIT	1				
13	90149-10804	SCREW	2				



1WD1460-P271

FIG. 28 REAR WHEEL

REF. NO.	PART NO.	DESCRIPTION	B041				REMARKS
1	1WD-F5338-00-P0	CAST WHEEL, REAR	1				DPBM15 FOR MS1
	1WD-F5338-00-98	CAST WHEEL, REAR	1				LGB FOR RM7,SMX
2	90387-17810	COLLAR	1				
3	93306-20314	BEARING	2				
4	93106-23002	OIL SEAL	1				
5	1WD-F5364-00	DAMPER	6				
6	1WD-F5366-00-P1	CLUTCH, HUB	1				DPBM15 FOR MS1
	1WD-F5366-00-98	CLUTCH, HUB	1				LGB FOR RM7,SMX
7	93306-30450	BEARING	1				
8	93106-38046	OIL SEAL	1				
9	1WD-F5377-00	COLLAR, WHEEL	1				
10	1WD-F5443-00	SPROCKET, DRIVEN (43T)	1				
11	1WD-F537W-00	BRACKET 1	1				
12	1WD-F537X-00	BRKT 2	1				
13	1WD-F539F-00	PLATE 1	3				
14	90116-10065	BOLT, STUD	6				
15	95602-10200	NUT, U FLANGE	6				
16	94114-17802	TIRE (140/70-17M/C 66S RX-01R)	1				INOUE
17	93900-00828	VALVE, RIM	1				
18	5MT-25398-00	BALANCER, WHEEL (10G)	1				UN
	5MT-25398-10	BALANCER, WHEEL (20G)	1				UN
	5MT-25398-20	BALANCER, WHEEL (30G)	1				UN
19	1WD-25381-00	AXLE, WHEEL	1				
20	1WD-F5386-00	COLLAR, SPROCKET AXLE	1				
21	1WD-F5383-00	COLLAR, WHEEL	1				
22	95602-16200	NUT, SELF-LOCKING	1				
23	90201-17809	WASHER, PLATE	2				



1WD1460-P271

FIG. 28 REAR WHEEL

REF. NO.	PART NO.	DESCRIPTION	B041				REMARKS
24	1WD-F5388-00	PULLER, CHAIN 1	2				
25	1WD-F2174-00	END 1	2				
26	92902-08600	WASHER, PLATE	2				
27	95302-08600	NUT, HEXAGON	4				
28	40D-E443G-00	PIPE, DRAIN 2	2				
29	94568-H3112	CHAIN (DID520VF 112LE)	1				

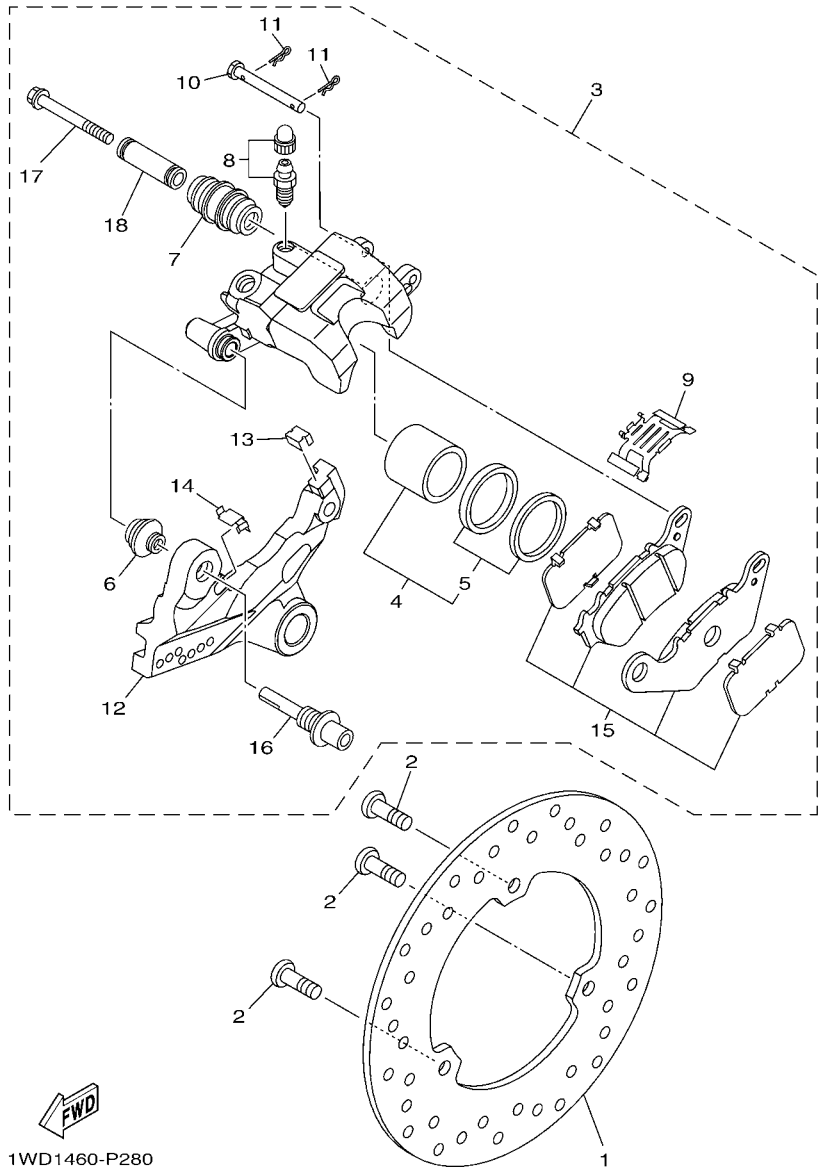
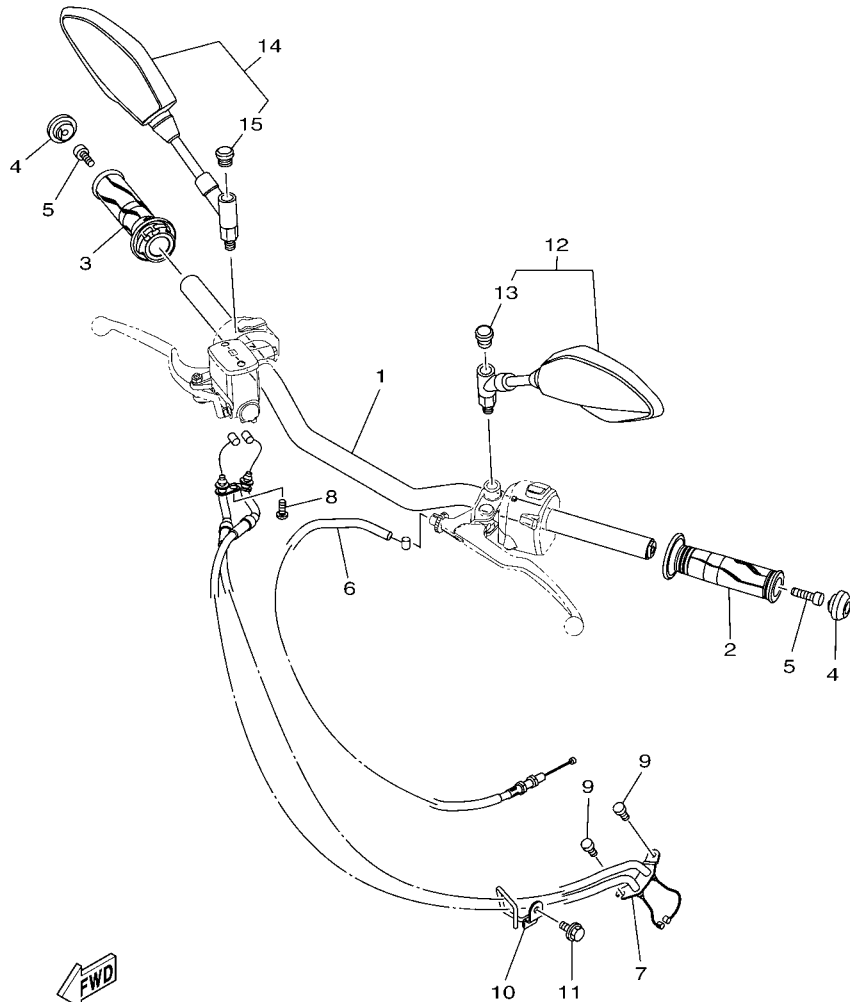


FIG. 29 REAR BRAKE CALIPER

REF. NO.	PART NO.	DESCRIPTION	B041				REMARKS
1	1WD-F582W-00	DISK, REAR BRAKE 2	1				
2	90111-08815	BOLT,HEX. SOCKET BUTTON	3				
3	1WD-F580W-00	CALIPER ASSY, REAR 2	1				
4	1WD-25802-50	.PISTON ASSY, CALIPER	1				
5	1WD-25803-50	..CALIPER SEAL KIT	1				
6	5YP-F5917-00	.BOOT, CALIPER	1				
7	34X-25937-00	.BOOT 2	1				
8	5YP-W0048-50	.BLEED SCREW KIT	1				
9	1WD-F5919-50	.SUPPORT, PAD	1				
10	1WD-F5924-50	.PIN, PAD	1				
11	5YP-F5925-01	.CLIP	2				
12	1WD-F5921-50	.BRACKET, SUPPORT	1				
13	1WD-F5939-50	.CLIP, PAD	1				
14	1WD-F5939-60	.CLIP, PAD	1				
15	1WD-25806-00	.BRAKE PAD KIT 2	1				
16	1WD-F5914-50	.PIN, SLIDE	1				
17	5KN-25926-01	.BOLT	1				
18	5TL-F5838-00	.SLEEVE, CALIPER	1				

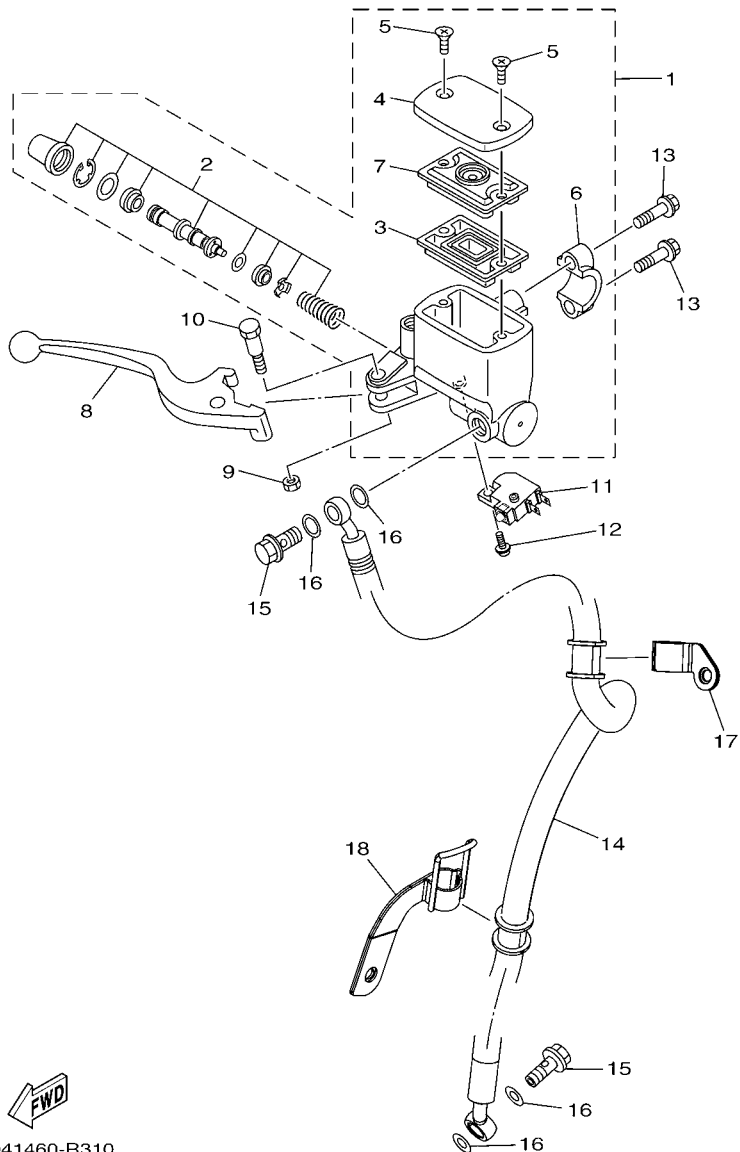


B041460-R300

FIG. 30 STEERING HANDLE & CABLE

REF. NO.	PART NO.	DESCRIPTION	B041				REMARKS
1	B04-F6111-00	HANDLEBAR	1				
2	2DP-F6241-00	GRIP	1				
3	1WD-F6240-00	GRIP ASSY	1				
4	1WD-F6246-00	END, GRIP	2				
5	91317-06020	BOLT	2				
6	B04-F6335-00	CABLE, CLUTCH	1				
7	B04-F6301-00	THROTTLE CABLE ASSY	1				
8	98507-05012	SCREW, PAN HEAD	1				
9	91312-05010	BOLT	2				
10	B04-F6315-00	GUIDE, WIRE	1				
11	95802-06010	BOLT, FLANGE	1				
12	1RC-26280-00	REAR VIEW MIRROR ASSY (LEFT)	1				
13	23P-26133-00	.CAP	1				
14	1RC-26290-00	REAR VIEW MIRROR ASSY (RIGHT)	1				
15	23P-26133-00	.CAP	1				

FIG. 31 FRONT MASTER CYLINDER



B041460-R310

REF. NO.	PART NO.	DESCRIPTION	B041				REMARKS
1	1WD-F5870-00	MASTER CYLINDER SUB ASSY	1				
2	1WD-F5807-00	.CYLINDER KIT, MASTER	1				
3	5RB-25854-00	.DIAPHRAGM, RESERVOIR	1				
4	1WD-F5852-00	.CAP, RESERVOIR	1				
5	36Y-2589H-00	.SCREW	2				
6	3RW-F5867-00	.BRACKET, MASTER CYLINDER	1				
7	3C1-F5855-00	.BUSH,DIAPHRAGM	1				
8	1WD-H3922-00	LEVER 2	1				
9	95602-06100	NUT, U	1				
10	90109-06577	BOLT	1				
11	1HP-83980-01	FRONT STOP SWITCH ASSY	1				
12	97602-04212	SCREW, PAN HEAD WITH WASHER	1				
13	95027-06025	BOLT, FLANGE	2				
14	B04-F5872-00	HOSE, BRAKE 1	1				
15	90401-10812	BOLT, UNION	2				
16	90201-10118	WASHER, PLATE	4				
17	B04-F5875-00	HOLDER, BRAKE HOSE 1	1				
18	1WD-F5876-00	HOLDER, BRAKE HOSE 2	1				

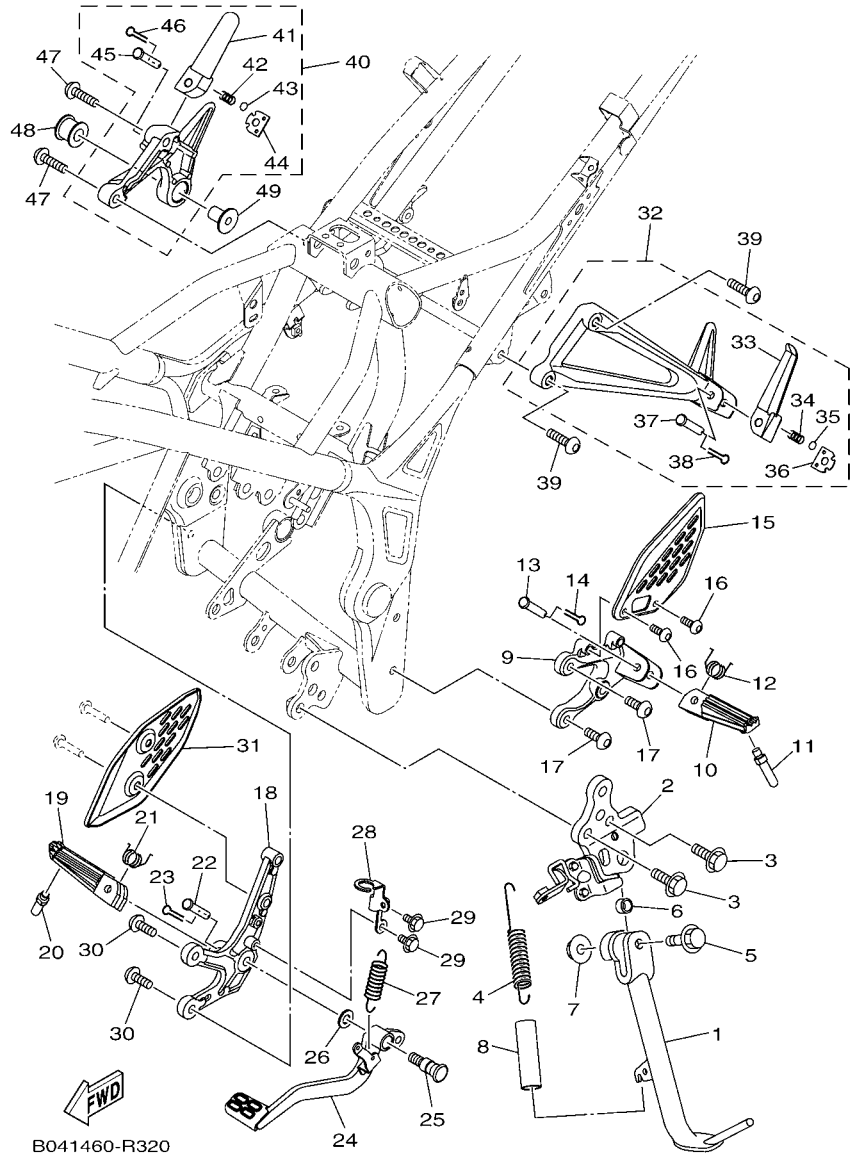


FIG. 32 STAND & FOOTREST

REF. NO.	PART NO.	DESCRIPTION	B041				REMARKS
1	1WD-F7311-00	STAND, SIDE	1				
2	B04-F7321-00	BRACKET, SIDE STAND	1				
3	95817-10025	BOLT, FLANGE	2				
4	90506-23812	SPRING, TENSION	1				
5	90105-106A7	BOLT, FLANGE	1				
6	90387-10010	COLLAR	1				
7	95602-10200	NUT, U FLANGE	1				
8	90445-217G3	HOSE (L70)	1				
9	1WD-F7442-00	BRACKET 2	1				
10	1WD-F7451-00	FOOTREST	1				
11	1WD-F7435-00	BOLT	1				
12	90508-183B9	SPRING, TORSION	1				
13	90240-08145	PIN, CLEVIS	1				
14	91401-25015	PIN, COTTER	1				
15	1WD-F7445-00	PLATE 1	1				
16	90111-06013	BOLT, HEX. SOCKET BUTTON	2				
17	90109-085G6	BOLT	2				
18	1WD-F7443-00	BRACKET 3	1				
19	1WD-F7461-00	FOOTREST	1				
20	1WD-F7435-00	BOLT	1				
21	90508-183B9	SPRING, TORSION	1				
22	90240-08145	PIN, CLEVIS	1				
23	91401-25015	PIN, COTTER	1				
24	1WD-F7211-00	PEDAL, BRAKE	1				
25	4BP-27261-00	SHAFT	1				
26	90201-10021	WASHER, PLATE	1				
27	90506-26807	SPRING, TENSION	1				

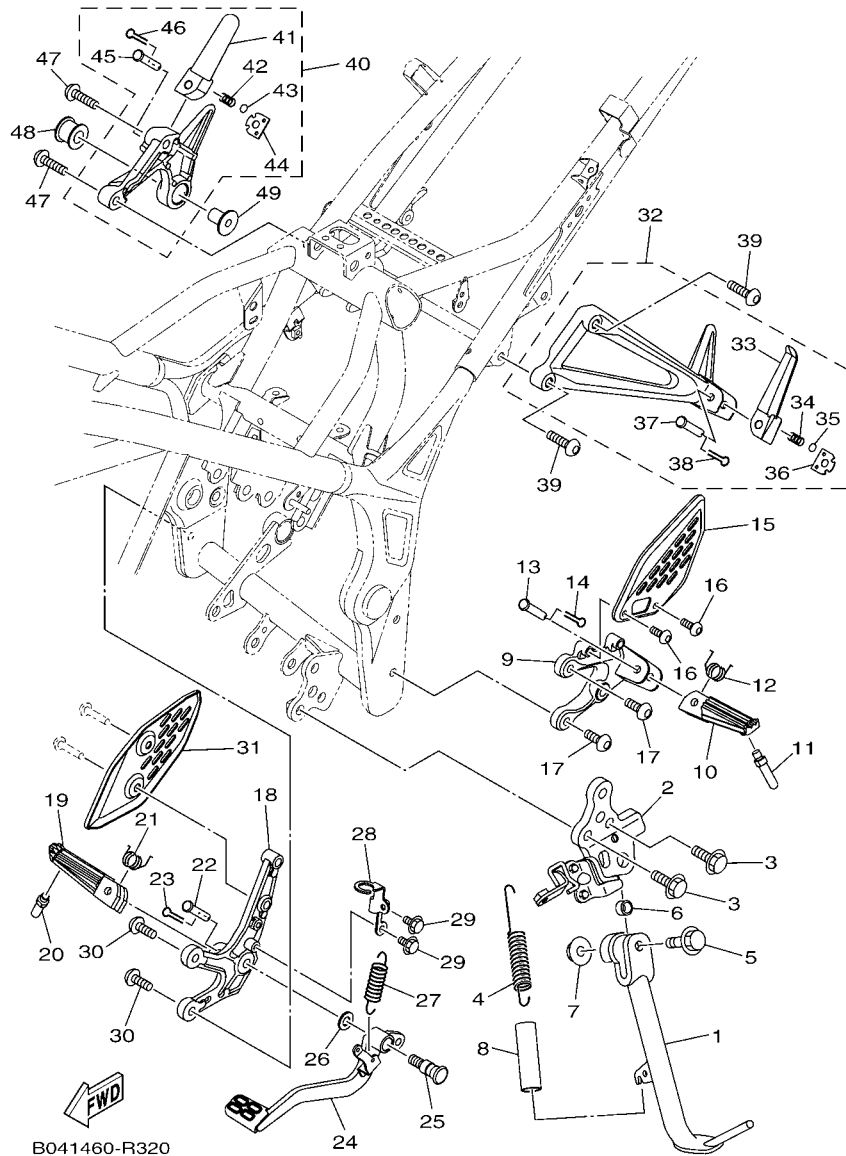


FIG. 32 STAND & FOOTREST

REF. NO.	PART NO.	DESCRIPTION	B041				REMARKS
28	1WD-F144G-00	STAY, STOP SWITCH	1				
29	95802-06010	BOLT, FLANGE	2				
30	90109-085G6	BOLT	2				
31	1WD-F7446-00	PLATE 2	1				
32	1WD-F7430-00	REAR FOOTREST ASSY 1	1				
33	1WD-F7431-00	.FOOTREST, REAR 1	1				
34	90501-12743	.SPRING, COMPRESSION	1				
35	93501-04830	.BALL	1				
36	1WD-F7437-00	.WASHER, SPECIAL	1				
37	90240-08145	.PIN, CLEVIS	1				
38	91401-25015	.PIN, COTTER	1				
39	90110-08071	BOLT, HEXAGON SOCKET HEAD	2				
40	1WD-F7440-00	REAR FOOTREST ASSY 2	1				
41	1WD-F7441-00	.FOOTREST, REAR 2	1				
42	90501-12743	.SPRING, COMPRESSION	1				
43	93501-04830	.BALL	1				
44	1WD-F7437-00	.WASHER, SPECIAL	1				
45	90240-08145	.PIN, CLEVIS	1				
46	91401-25015	.PIN, COTTER	1				
47	90110-08071	BOLT, HEXAGON SOCKET HEAD	2				
48	5TP-E4747-00	DAMPER, MUFFLER	1				
49	90387-08813	COLLAR	1				

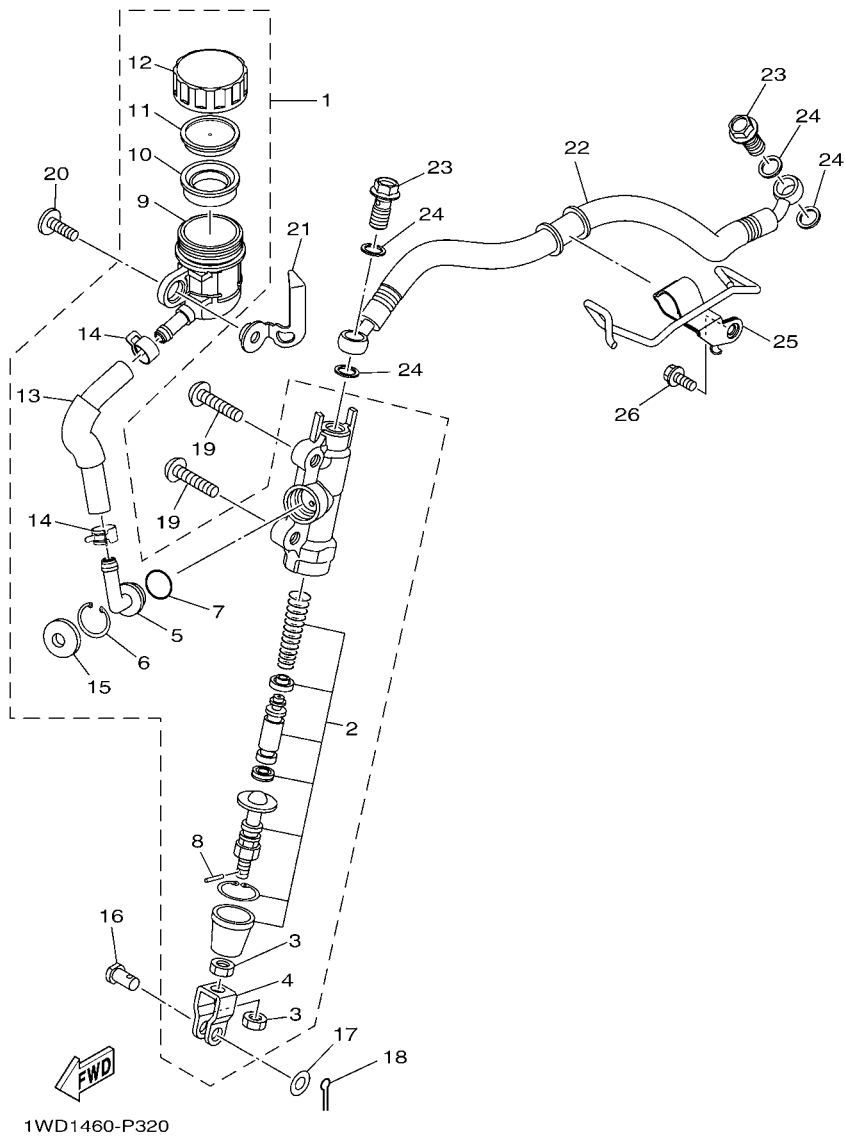
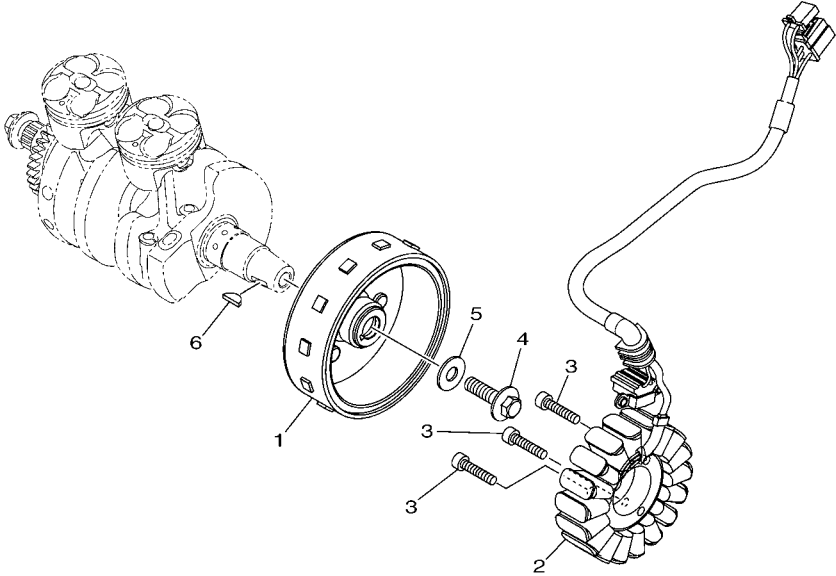


FIG. 33 REAR MASTER CYLINDER

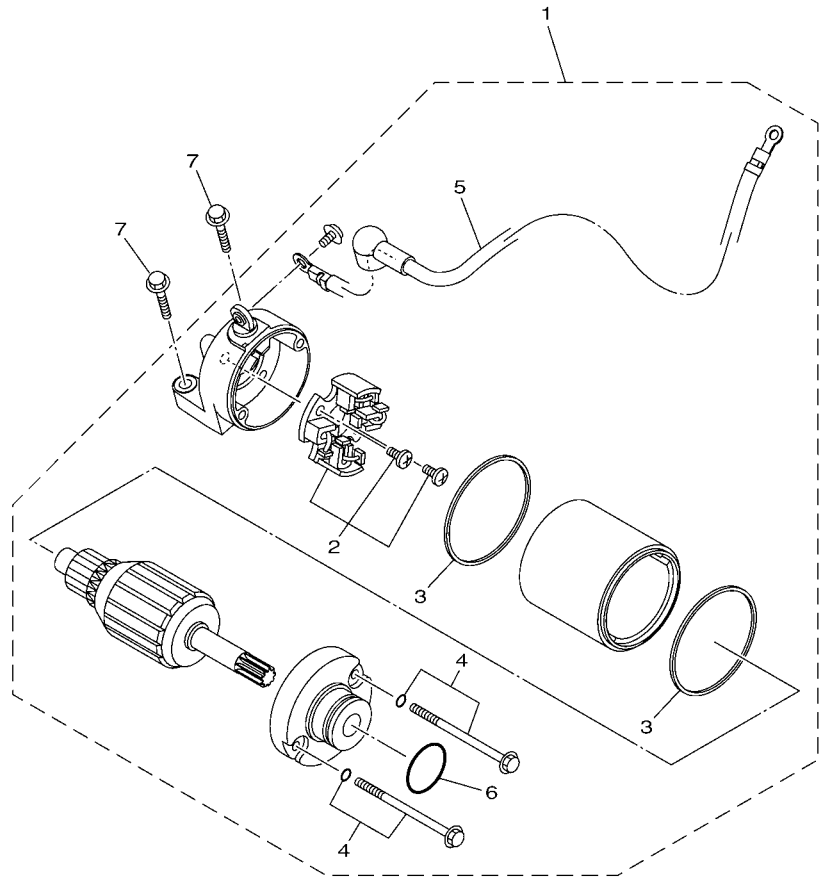
REF. NO.	PART NO.	DESCRIPTION	B041				REMARKS
1	1WD-F580E-00	REAR MASTER CYLINDER ASSY	1				
2	1WD-F5808-00	.CYLINDER KIT, MASTER	1				
3	4SS-27218-00	.NUT	2				
4	50C-F7222-00	.JOINT	1				
5	50C-F582A-50	.JOINT	1				
6	50C-F5866-00	.CIRCLIP	1				
7	93210-15620	.O-RING	1				
8	3KW-27234-00	.PIN, BRAKE ROD	1				
9	50C-F5894-10	.TANK, RESERVOIR	1				
10	2VN-F5854-00	.DIAPHRAGM, RESERVOIR	1				
11	50C-F5855-00	.BUSH,DIAPHRAGM	1				
12	1WD-F5852-50	.CAP, RESERVOIR	1				
13	1WD-F5895-50	.HOSE, RESERVOIR	1				
14	90467-12085	.CLIP	2				
15	50C-F589A-00	.COVER, DUST	1				
16	90240-08124	PIN, CLEVIS	1				
17	90201-08083	WASHER, PLATE	1				
18	91401-20012	PIN, COTTER	1				
19	92012-08030	BOLT, BUTTON HEAD	2				
20	90111-06121	BOLT,HEX. SOCKET BUTTON	1				
21	1WD-F582E-00	HOLDER, RESERVE TANK	1				
22	1WD-F5873-00	HOSE, BRAKE 2	1				
23	90401-10812	BOLT, UNION	2				
24	90201-10118	WASHER, PLATE	4				
25	1WD-F5887-00	HOLDER, BRAKE HOSE	1				
26	95827-06014	BOLT, FLANGE	1				

FIG. 34 GENERATOR

REF. NO.	PART NO.	DESCRIPTION	B041				REMARKS
1	1WD-H1450-00	ROTOR ASSY	1				
2	1WD-H1410-01	STATOR ASSY	1				
3	91312-06030	BOLT	3				
4	90105-10883	BOLT, FLANGE	1				
5	90201-102R1	WASHER, PLATE	1				
6	90280-05013	KEY, WOODRUFF	1				




 B041460-R340

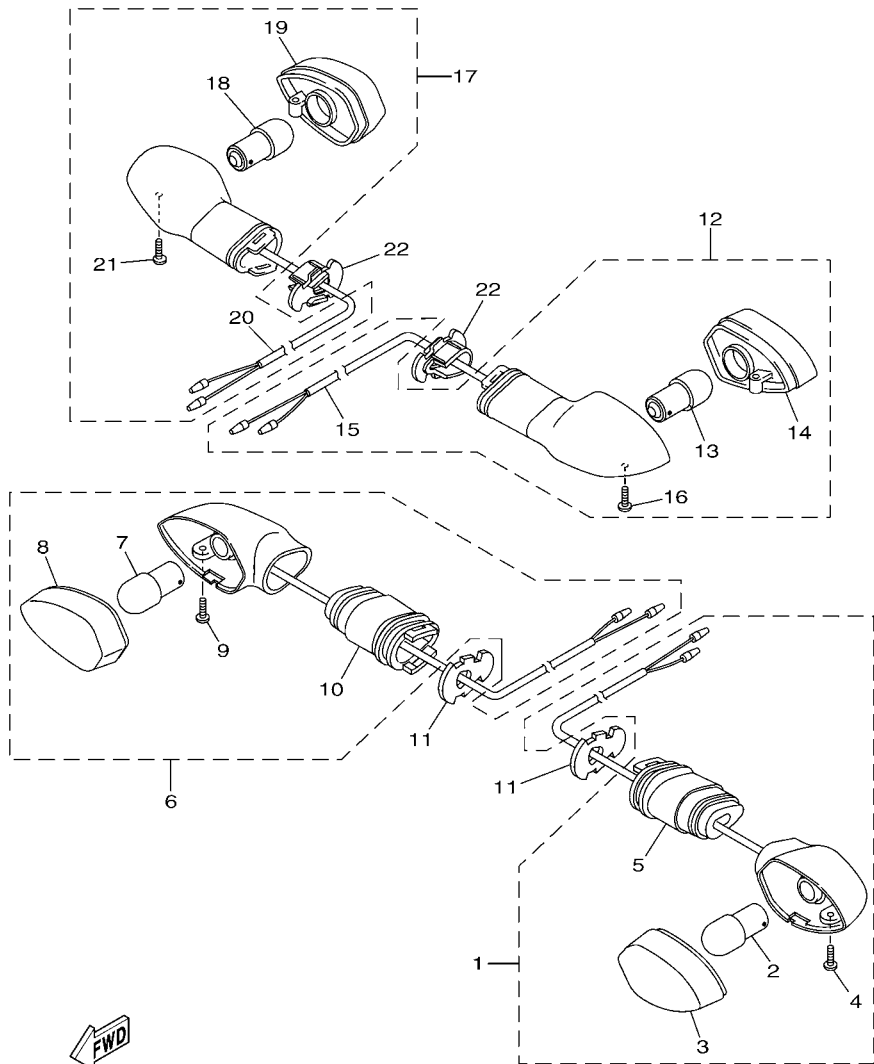



1WD1460-P360

FIG. 35 STARTING MOTOR

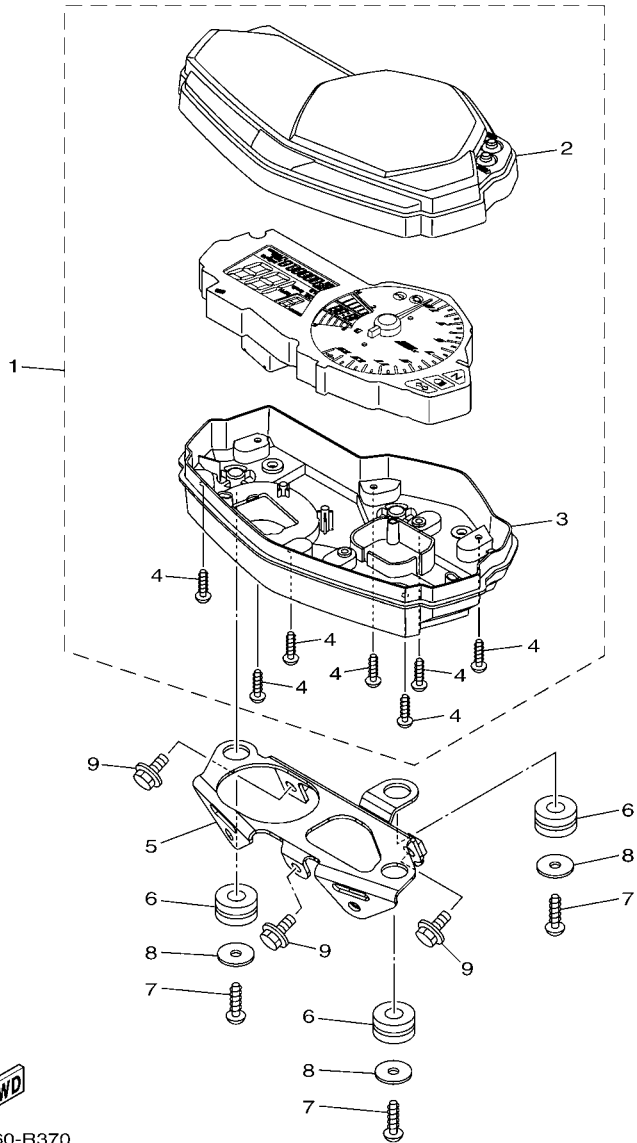
REF. NO.	PART NO.	DESCRIPTION	B041				REMARKS
1	1WD-H1800-00	STARTING MOTOR ASSY	1				
2	1WD-H1801-00	.BRUSH SET	1				
3	1WD-H1861-00	.GASKET	2				
4	1WD-H1828-00	.SCREW 2	2				
5	1WD-H183G-00	.CORD COMP.	1				
6	4FP-H182L-00	.O-RING 1	1				
7	95022-06025	BOLT, FLANGE	2				

FIG. 36 FLASHER LIGHT



B041460-R360

REF. NO.	PART NO.	DESCRIPTION	B041				REMARKS
1	B04-H3310-00	FRONT FLASHER LIGHT ASSY 1	1				
2	5HV-H3311-00	.BULB (12V-10W) AMBER	1				
3	3C1-H333A-00	.LENS COMP 1	1				
4	97707-40012	.SCREW, TAPPING	1				
5	3C1-H3328-00	.STAY, FLASHER 2	1				
6	B04-H3320-00	FRONT FLASHER LIGHT ASSY 2	1				
7	5HV-H3311-00	.BULB (12V-10W) AMBER	1				
8	3C1-H334A-00	.LENS COMP 2	1				
9	97707-40012	.SCREW, TAPPING	1				
10	3C1-H3328-00	.STAY, FLASHER 2	1				
11	3D7-83318-10	STAY, FLASHER 1	2				
12	1WD-H3330-00	REAR FLASHER LIGHT ASSY 1	1				
13	5HV-H3311-00	.BULB (12V-10W) AMBER	1				
14	3C1-H333A-00	.LENS COMP 1	1				
15	1WD-H333E-00	.CORD ASSY	1				
16	97707-40012	.SCREW, TAPPING	1				
17	1WD-H3340-00	REAR FLASHER LIGHT ASSY 2	1				
18	5HV-H3311-00	.BULB (12V-10W) AMBER	1				
19	3C1-H334A-00	.LENS COMP 2	1				
20	1WD-H334E-00	.CORD ASSY	1				
21	97707-40012	.SCREW, TAPPING	1				
22	3C1-H3318-00	STAY, FLASHER 1	2				



B041460-R370

FIG. 37 METER

REF. NO.	PART NO.	DESCRIPTION	B041				REMARKS
1	1WD-H3500-00	METER ASSY	1				
2	1WD-H3571-00	.CASE, SPEEDOMETER UPPER	1				
3	1WD-H3572-00	.CASE, SPEEDOMETER LOWER	1				
4	97702-30016	.SCREW, TAPPING	7				
5	B04-H3519-00	BRACKET, METER	1				
6	90480-14004	GROMMET	3				
7	97702-50016	SCREW, TAPPING	3				
8	90201-05827	WASHER, PLATE	3				
9	95022-06010	BOLT, FLANGE	3				

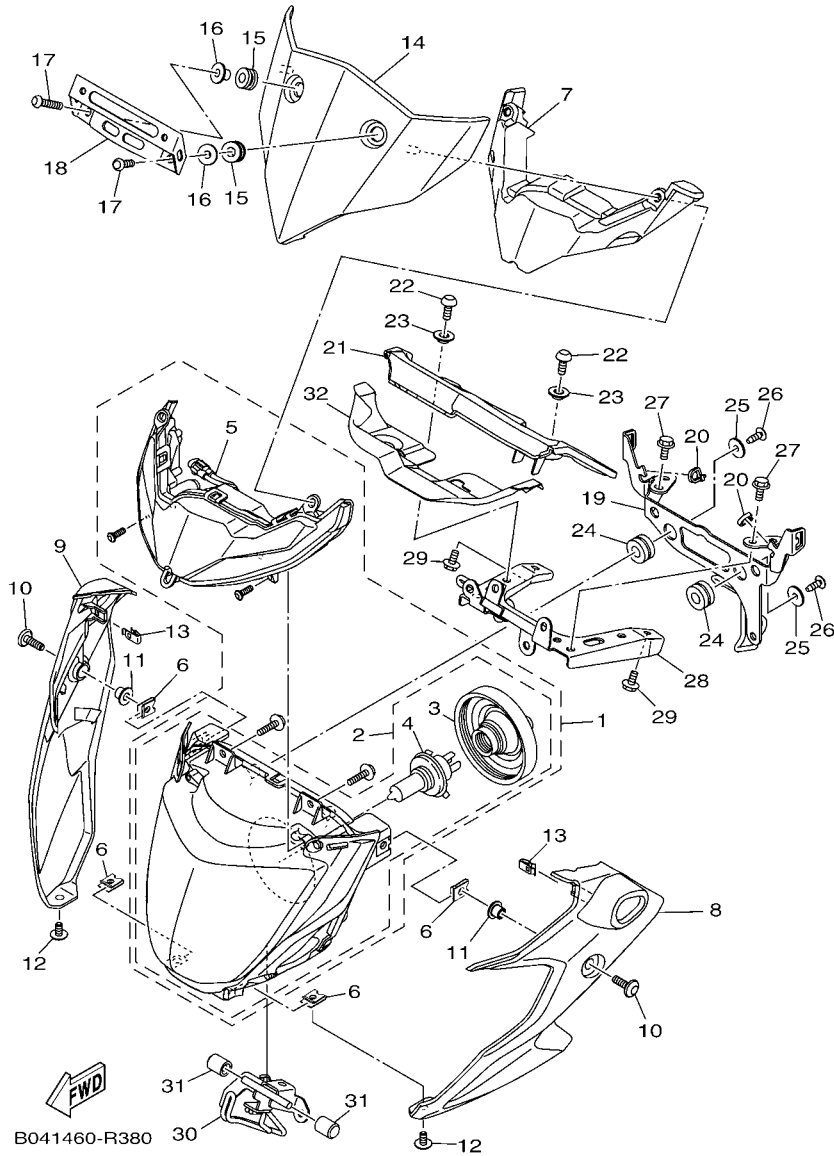


FIG. 38 HEADLIGHT

REF. NO.	PART NO.	DESCRIPTION	B041				REMARKS
1	B04-H4300-00	HEADLIGHT ASSY	1				
2	B04-H4310-00	.HEADLIGHT UNIT ASSY	1				
3	1RC-84397-00	..COVER, SOCKET	1				
4	1RC-84314-00	..BULB, HEADLIGHT (12V-60/55W)	1				
5	B04-H4410-00	.POSITION LIGHT ASSY 1	1				
6	90183-06069	NUT, SPRING	4				
7	B04-H4144-00	COVER, HEADLIGHT	1				
8	B04-F831V-00-P0	STAY, HEAD LIGHT 1	1				MBL2 FOR MS1,SMX
	B04-F831V-00-P1	STAY, HEAD LIGHT 1	1				FOR RM7
9	B04-F832V-00-P0	STAY, HEAD LIGHT 2	1				MBL2 FOR MS1,SMX
	B04-F832V-00-P1	STAY, HEAD LIGHT 2	1				FOR RM7
10	90111-06140	BOLT,HEX. SOCKET BUTTON	2				
11	90387-068L9	COLLAR	2				
12	90111-06096	BOLT,HEX. SOCKET BUTTON	2				
13	5GM-28379-01	HOOK	2				
14	B04-H4369-00-P0	COVER 1	1				SMX
15	90480-12808	GROMMET	2				
16	90387-06899	COLLAR	2				
17	92017-06025	BOLT, BUTTON HEAD	2				
18	B04-F1685-00	BRACKET, LICENSE	1				
19	B04-F8357-00	STAY 2	1				
20	90464-36800	CLAMP	2				
21	B04-F8345-00	MOLE 1	1				
22	90111-06029	BOLT,HEX. SOCKET BUTTON	2				
23	90387-07717	COLLAR	2				
24	90480-14004	GROMMET	2				
25	90201-05036	WASHER, PLATE	2				

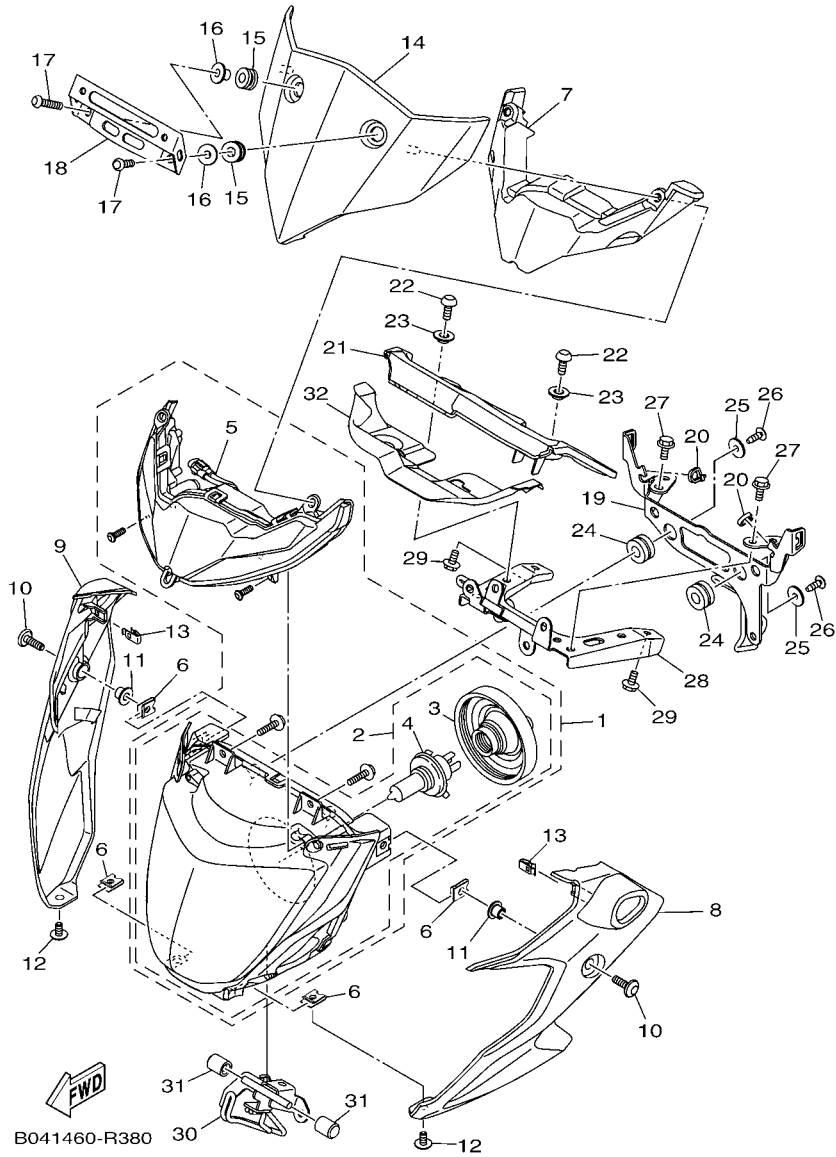


FIG. 38 HEADLIGHT

REF. NO.	PART NO.	DESCRIPTION	B041				REMARKS
26	97707-50016	SCREW, TRUSS HEAD TAPPING	2				
27	95802-06010	BOLT, FLANGE	2				
28	B04-F8356-00	STAY 1	1				
29	95022-06010	BOLT, FLANGE	2				
30	B04-F334G-00	BRACKET 1	1				
31	1WS-84527-00	DAMPER	2				
32	B04-H4196-00	COVER, SOCKET	1				

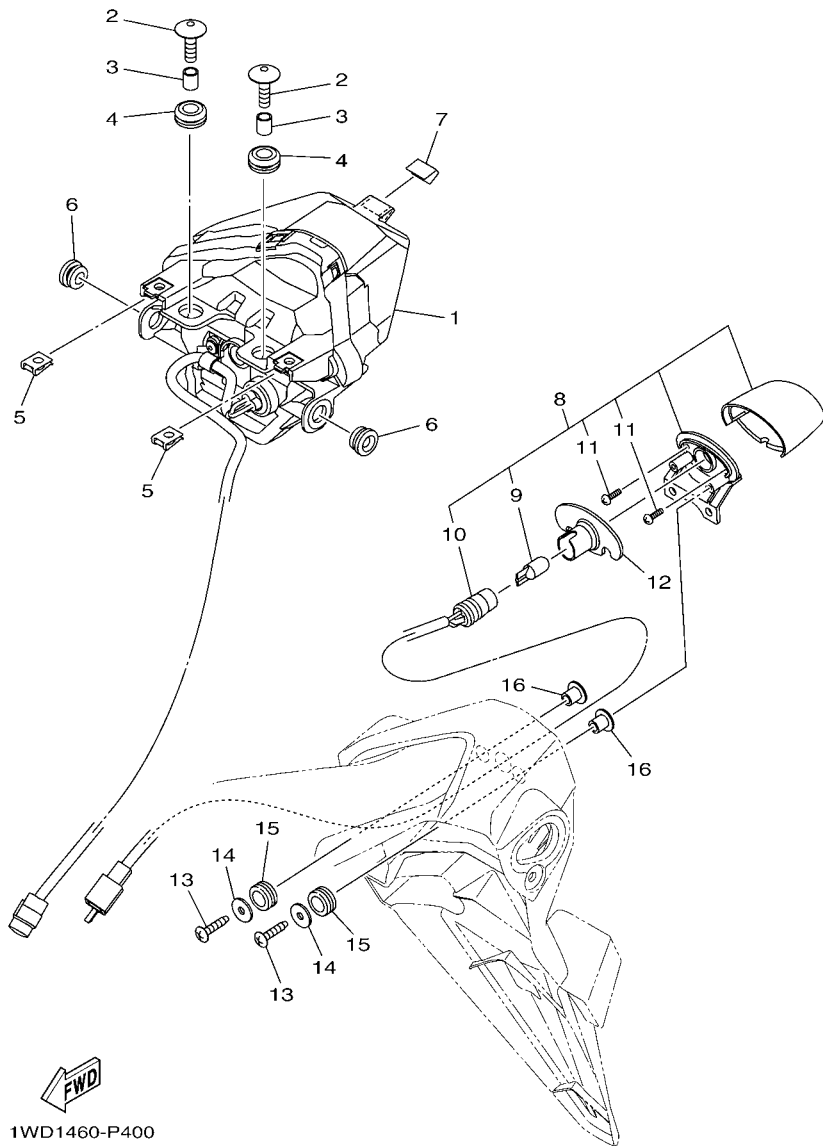
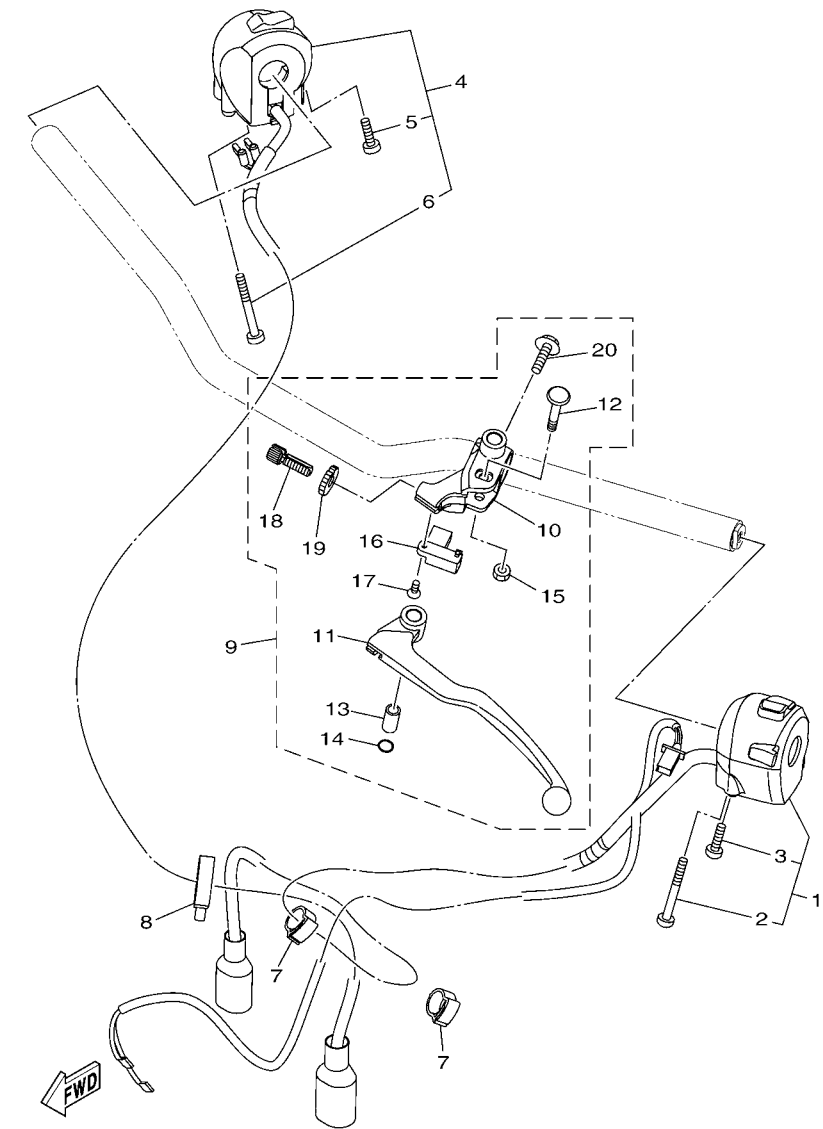


FIG. 39 TAILLIGHT

REF. NO.	PART NO.	DESCRIPTION	B041				REMARKS
1	1WD-H4710-01	TAILLIGHT UNIT ASSY	1				
2	90111-06117	BOLT,HEX. SOCKET BUTTON	2				
3	90387-067V1	COLLAR	2				
4	90480-13001	GROMMET	2				
5	90183-05807	NUT, SPRING	2				
6	90480-10003	GROMMET	2				
7	1WD-F1732-00	SEAL 1	1				
8	1WD-H4740-00	LICENCE LIGHT ASSY	1				
9	1WD-H4744-00	.BULB (12V-5W)	1				
10	1WD-H4547-00	.CORD, LICENCE LIGHT	1				
11	1WD-H4726-00	.SCREW	2				
12	1WD-H4753-00	DAMPER	1				
13	97707-40020	SCREW, TAPPING	2				
14	90201-04804	WASHER, PLATE	2				
15	90480-11009	GROMMET	2				
16	90387-05042	COLLAR	2				



B041460-R400

FIG. 40 HANDLE SWITCH & LEVER

REF. NO.	PART NO.	DESCRIPTION	B041				REMARKS
1	B04-H3972-00	SWITCH, HANDLE 4	1				
2	45P-H395W-00	.SCREW, SWITCH FITTING	1				
3	45P-H395X-00	.SCREW, SWITCH FITTING 1	1				
4	B04-H3975-00	SWITCH, HANDLE 2	1				
5	45P-H2133-00	.SCREW, FITTING	1				
6	45P-H395W-00	.SCREW, SWITCH FITTING	1				
7	90464-16003	CLAMP	2				
8	90464-30001	CLAMP	1				
9	1WD-H2910-00	LEVER HOLDER ASSY (LEFT)	1				
10	1WD-H2911-00	.HOLDER, LEVER 1	1				
11	1WD-H3912-00	.LEVER 1	1				
12	31A-83945-00	.BOLT, LEVER	1				
13	31A-83913-00	.COLLAR, LEVER 1	1				
14	93210-108H5	.O-RING	1				
15	95602-06100	.NUT, U	1				
16	5BP-H2917-00	.SWITCH	1				
17	90151-03005	.SCREW, COUNTERSUNK	1				
18	90123-08083	.BOLT	1				
19	90179-08316	.NUT	1				
20	97507-06525	.BOLT, WITH WASHER	1				

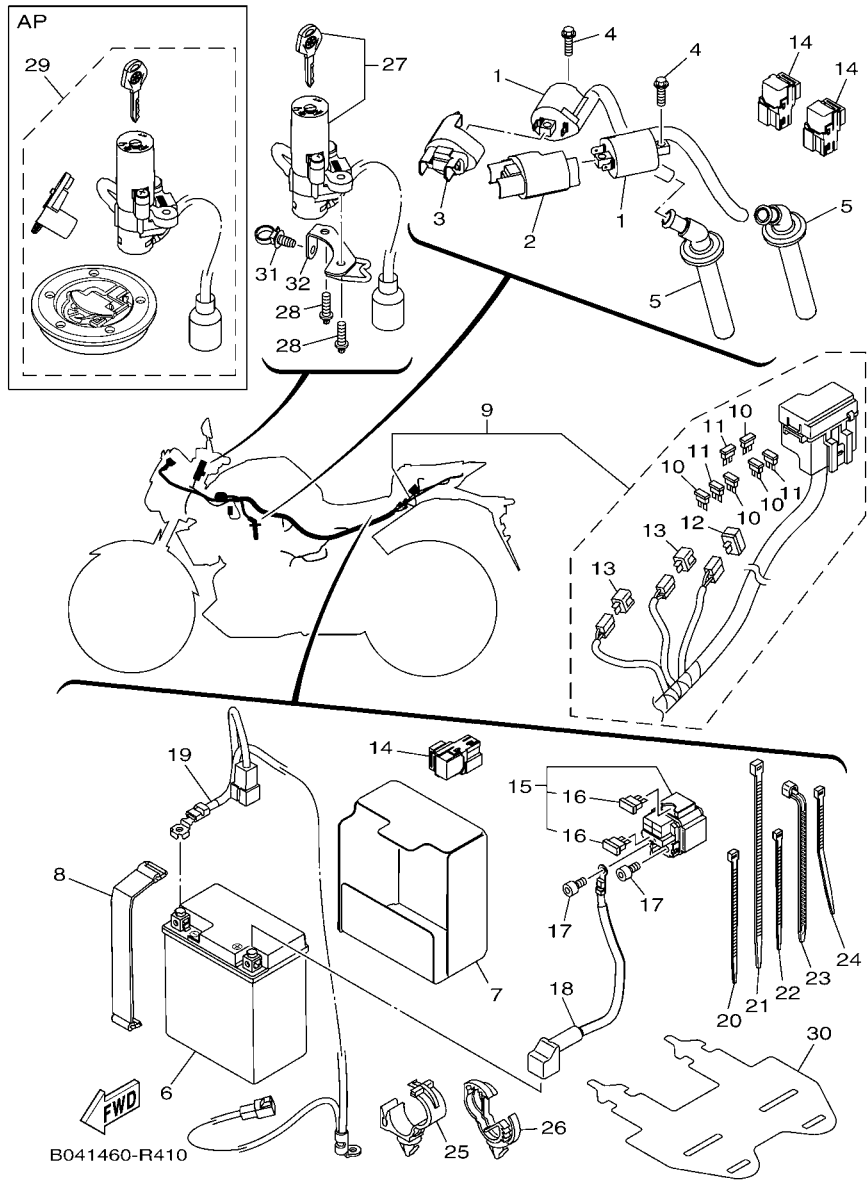


FIG. 41 ELECTRICAL 1

REF. NO.	PART NO.	DESCRIPTION	B041				REMARKS
1	1WD-H2310-00	IGNITION COIL ASSY	2				
2	B04-H2314-00	COVER, IGNITION COIL	1				
3	B04-H2314-10	COVER, IGNITION COIL	1				
4	95022-06020	BOLT, FLANGE	2				
5	1WD-H2370-00	PLUG CAP ASSY	2				
6	1WD-H2100-00	BATTERY ASSY (GS GTZ8V)	1				
7	1WD-H2121-00	PAD, BATTERY	1				
8	1WD-H2131-00	BAND, BATTERY	1				
9	B04-H2590-00	WIRE HARNESS ASSY	1				
10	1WD-H2151-20	.FUSE (7.5A BL)	4				
11	1WD-H2151-10	.FUSE (15A-BL)	3				
12	4WA-81980-00	.DIODE ASSY	1				
13	3WP-81980-00	.DIODE ASSY	2				
14	1WD-H1950-00	RELAY ASSY	3				
15	1WD-H1940-00	STARTER RELAY ASSY	1				
16	1WD-H2151-00	.FUSE (30A-BL)	2				
17	91312-05008	BOLT	2				
18	1WD-H2115-00	WIRE, PLUS LEAD	1				
19	1WD-H2116-00	WIRE, MINUS LEAD	1				
20	90464-36800	CLAMP	2				
21	90464-70800	CLAMP	8				
22	90464-22800	CLAMP	1				
23	90464-15195	CLAMP	2				
24	90465-12356	CLAMP	1				
25	90464-20010	CLAMP	1				
26	90464-13249	CLAMP	1				
27	B04-XH250-00	MAIN SW. STRG. LOCK SUB ASSY	1				

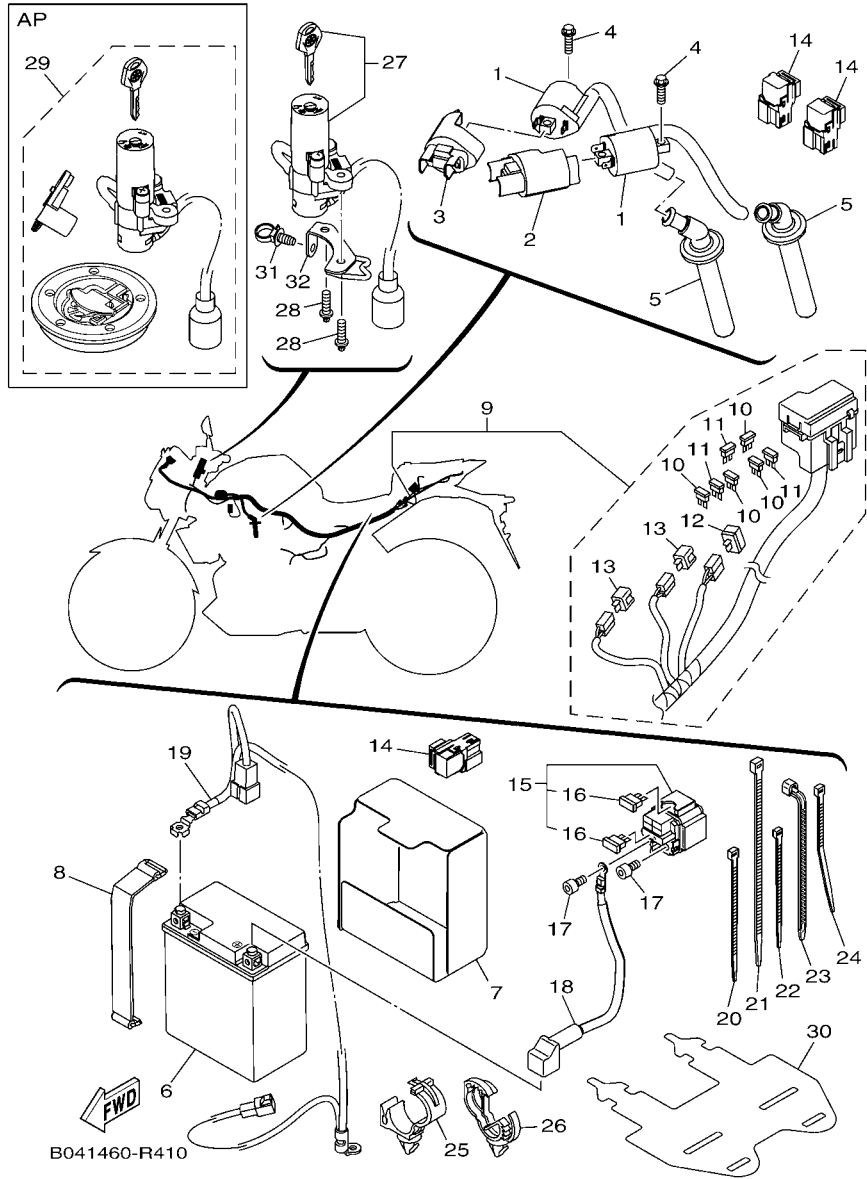


FIG. 41 ELECTRICAL 1

REF. NO.	PART NO.	DESCRIPTION	B041				REMARKS
28	90109-060G4	BOLT	2				
29	1WD-XH250-00	MAIN SW. STRG. LOCK SUB ASSY	1				AP
30	1WD-F179E-00	BAND	1				
31	90464-30009	CLAMP	1				
32	B04-F8358-00	STAY 3	1				

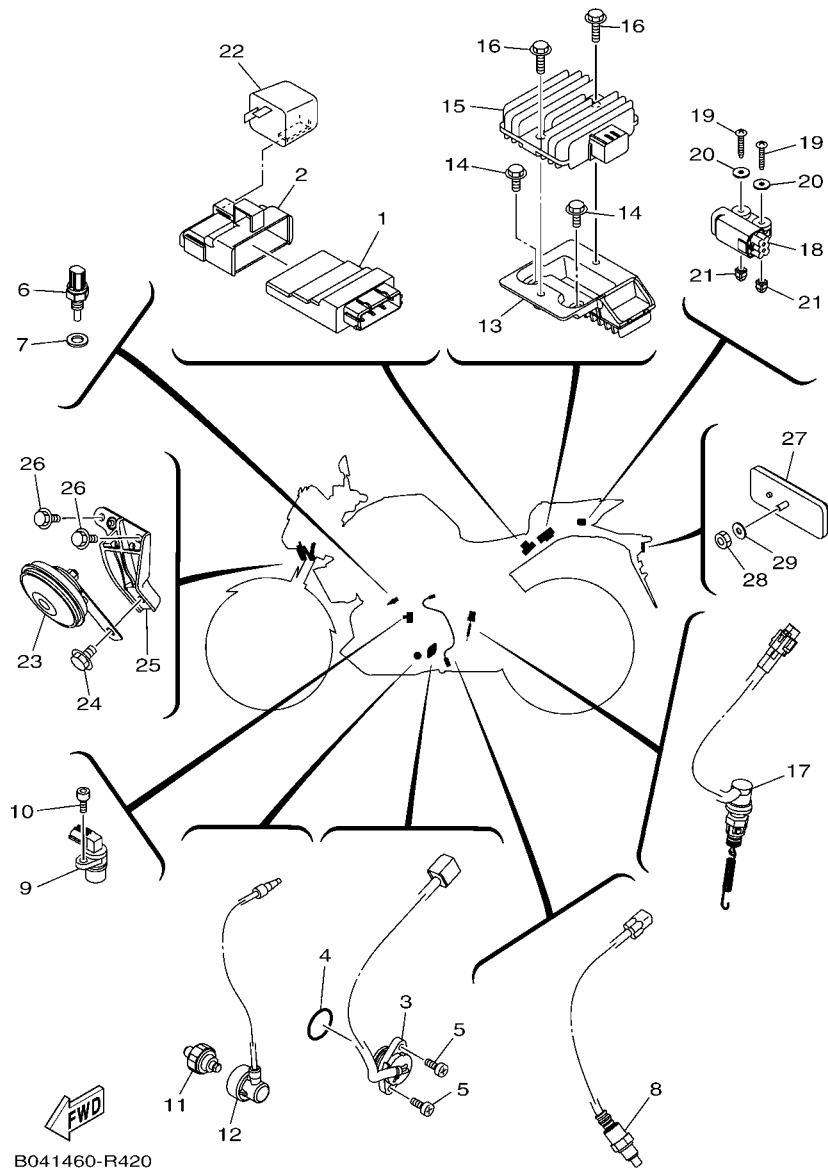
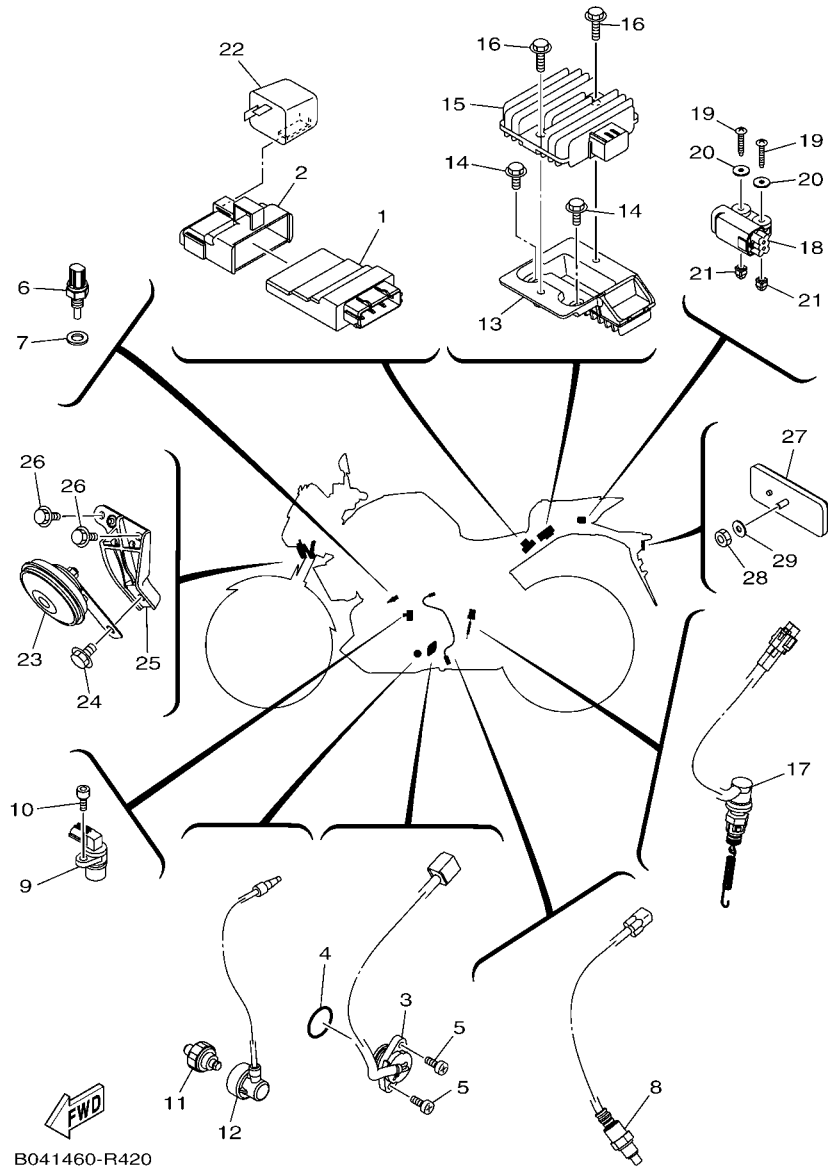


FIG. 42 ELECTRICAL 2

REF. NO.	PART NO.	DESCRIPTION	B041				REMARKS
1	1WD-H591A-00	ENGINE CONTROL UNIT ASSY	1				
2	1WD-H5546-00	BAND	1				
3	1WD-H2540-00	NEUTRAL SWITCH ASSY	1				
4	93210-21801	O-RING	1				
5	98502-05016	SCREW, PAN HEAD	2				
6	54P-H3591-00	THERMO UNIT	1				
7	90430-10804	GASKET	1				
8	1WD-H592A-00	SENSOR, OXYGEN	1				
9	1WD-H3755-00	SENSOR, SPEED	1				
10	91312-06016	BOLT	1				
11	1WS-82504-00	OIL PRESSURE SWITCH ASSY	1				
12	1WD-H1315-00	LEAD WIRE ASSY	1				
13	1WD-H1961-00	COVER	1				
14	95802-06016	BOLT, FLANGE	2				
15	1WD-H1960-00	RECTIFIER & REGULATOR ASSY	1				
16	95802-06025	BOLT, FLANGE	2				
17	1WD-H2530-00	STOP SWITCH ASSY	1				
18	1WD-H2576-00	SENSOR, LEAN ANGLE	1				
19	90160-04009	SCREW, ROUND TAPPING	2				
20	90201-04028	WASHER, PLATE	2				
21	4B4-84334-00	NUT, ADJUSTING	2				
22	1WD-H3351-00	RELAY, FLASHER	1				
23	1WD-H3371-00	HORN	1				
24	95802-08012	BOLT, FLANGE	1				
25	1WD-H3378-00	STAY, HORN	1				
26	95807-06016	BOLT, FLANGE	2				
27	3C1-H5130-00	REAR REFLECTOR ASSY	1				



B041460-R420

FIG. 42 ELECTRICAL 2

REF. NO.	PART NO.	DESCRIPTION	B041				REMARKS
28	95602-05100	NUT, U	1				
29	90201-05043	WASHER, PLATE	1				

NUMERICAL INDEX

PART NO.	REF. NO.	PART NO.	REF. NO.	PART NO.	REF. NO.	PART NO.	REF. NO.	PART NO.	REF. NO.	PART NO.	REF. NO.
1WD-11411-00	2 - 1	1WS-14335-00	8 - 10	1WS-84527-00	38 - 31	1WD-E2681-00	5 - 12	1WD-E4881-00	1 - 31	1WD-E8110-00	16 - 11
1WD-11413-00	2 - 23	8HG-14534-00	8 - 14	1WS-85801-00	8 - 9	1WD-E319L-00	5 - 10	1WD-E4882-00	1 - 33	1WD-E8112-00	16 - 16
1WD-11413-10	2 - 23	4XY-14568-00	23 - 36	1WD-E1102-10	1 - 1	1WD-E3300-00	7 - 1	1WD-E4890-00	1 - 20	1EG-E8113-01	16 - 12
1WD-11413-20	2 - 23	5VY-1482K-00	1 - 19	1WD-E111G-00	1 - 15	1WD-E3341-00	7 - 3	1WD-E4899-00	1 - 21	1WD-E8115-00	16 - 13
1WD-11413-30	2 - 23	2H7-15361-00	5 - 18		1 - 24	1WD-E3342-00	7 - 4	1WD-E5148-00	10 - 4	1WD-E8127-00	16 - 2
1WD-11413-40	2 - 23	1WD-16382-00	13 - 19	1WD-E1133-10	1 - 2	1WD-E3410-00	7 - 9	1WD-E5150-10	10 - 1	1WD-E8140-00	16 - 8
1WD-11416-00	2 - 10	1WD-17424-00	14 - 28	1WD-E1181-00	1 - 12	1WD-E3414-00	7 - 16	1WD-E5155-00	10 - 12	1WD-E8175-00	16 - 3
1WD-11416-10	2 - 10	278-17425-00	14 - 12	1WD-E1191-00	1 - 16	1WD-E3415-00	7 - 10	1WD-E5362-00	5 - 19	1WD-E8337-00	16 - 1
1WD-11416-20	2 - 10		14 - 29	1WD-E1193-00	1 - 18	1WD-E3417-00	7 - 13	1WD-E5373-00	8 - 40	1WD-E8511-00	15 - 4
1WD-11416-30	2 - 10	1WD-22141-00	20 - 2	4YS-E1198-00	7 - 15	1WD-E3440-00	7 - 11	1WD-E5377-00	11 - 21	1WD-E8512-00	15 - 5
1WD-11416-40	2 - 10	1WS-2331G-00	22 - 40	1WD-E1311-00	1 - 25	54P-E3474-00	8 - 35	1WD-E5411-00	11 - 1	1WD-E8513-00	15 - 6
1WD-11650-00	2 - 2	3FV-23462-00	22 - 38	1WD-E1351-00	1 - 26	1WD-E3543-01	8 - 37	1WD-E5413-10	11 - 16	1WD-E8531-00	15 - 7
5SL-11654-00	2 - 3	1WD-25181-00	26 - 9	1WD-E1361-00	1 - 8	1WD-E3556-00	8 - 6	1WD-E5418-00	11 - 22	1WD-E8536-00	15 - 9
1WD-11656-00	2 - 5	1WD-25381-00	28 - 19	1WD-E1454-00	2 - 22	1WD-E3573-00	8 - 12	1WD-E5421-00	5 - 2	1WD-E8540-10	15 - 1
1WD-11656-10	2 - 5	5MT-25398-00	26 - 7	1WD-E1496-00	2 - 18	1WD-E3586-00	8 - 1	1WD-E5441-00	11 - 14	5TP-E8542-00	15 - 2
1WD-11656-20	2 - 5		28 - 18	1WD-E1531-00	2 - 15	1WD-E3750-00	8 - 5	1WD-E5451-00	11 - 7	1WD-E8562-00	15 - 10
1WD-11656-30	2 - 5	5MT-25398-10	26 - 7	1WD-E1536-00	2 - 6	1WD-E3761-00	8 - 7	1WD-E5461-00	11 - 10	B04-F1110-00-P0	17 - 1
1WD-12113-00	3 - 4		28 - 18	1WD-E1549-00	2 - 7	1WD-E3907-00	23 - 22	1WD-E5462-00	11 - 17	B04-F1110-00-P1	17 - 1
1WD-12153-10	3 - 9	5MT-25398-20	26 - 7	1WD-E1603-00	2 - 12	1WD-E3938-00	8 - 20	1WD-E5514-00	12 - 1	1WD-F1171-00	17 - 16
1HX-12168-F0	3 - 8		28 - 18	1WD-E1631-00	2 - 11	1WD-E3971-00	23 - 27	1WD-E5515-00	12 - 3	1WD-F117G-00	17 - 2
1HX-12168-H1	3 - 8	1WD-25802-00	27 - 4	1WD-E1633-00	2 - 13	54P-E416A-00	8 - 18	44D-E5521-00	12 - 2	1WD-F117K-00	25 - 12
1HX-12168-K1	3 - 8	1WD-25802-50	29 - 4	1WD-E2111-00	3 - 1	1WD-E4243-00	8 - 19	1WD-E5580-00	12 - 4	1WD-F122A-00	17 - 22
1HX-12168-M1	3 - 8	1WD-25803-00	27 - 5	1WD-E2117-00	3 - 5	1WD-E4411-00	8 - 21	1WD-E6111-00	13 - 1	B04-F122B-00	17 - 23
1HX-12168-R1	3 - 8	1WD-25803-50	29 - 5	3S0-E2118-00	3 - 6	1WD-E4412-00	8 - 25	1WD-E6150-00	13 - 2	1WD-F135F-00	17 - 13
1HX-12168-U1	3 - 8	1WD-25805-00	27 - 12	1PA-E2119-00	3 - 7	1WD-E4422-00	8 - 29	1WD-E6154-00	13 - 3	B04-F137N-00	24 - 32
1HX-12168-W1	3 - 8	1WD-25806-00	29 - 15	1WD-E2121-00	3 - 2	1WD-E4437-00	8 - 24	1WD-E6181-00	13 - 13	B04-F137N-10	24 - 32
1HX-12168-Y1	3 - 8	5RB-25854-00	31 - 3	1WD-E2126-00	3 - 3	52B-E443E-00	8 - 33	1WD-E6324-00	13 - 6	B04-F137N-20	24 - 32
1HX-12169-11	3 - 8	36Y-2589H-00	31 - 5	1WD-E2170-00	4 - 1	40D-E443G-00	28 - 28	1WD-E6331-00	13 - 5	B04-F137P-00	24 - 43
1HX-12169-31	3 - 8	5KN-25926-01	29 - 17	1WD-E2176-00	4 - 3	1WD-E4451-00	8 - 32	1WD-E6333-00	13 - 8	B04-F137P-10	24 - 43
1HX-12169-50	3 - 8	34X-25937-00	29 - 7	1WD-E2180-00	4 - 2	1WD-E4452-00	8 - 26	1WD-E6337-00	13 - 9	B04-F137P-20	24 - 43
1HX-12169-70	3 - 8	23P-26133-00	30 - 13	1WD-E2213-00	4 - 9	1WD-E4457-00	8 - 27	1WD-E6340-00	13 - 15	B04-F137U-00-P0	6 - 18
1HX-12169-90	3 - 8		30 - 15	33S-E2223-00	5 - 8	1WD-E4462-00	8 - 30	1WD-E6350-00	13 - 7	B04-F137U-00-P1	6 - 18
1HX-12169-E0	3 - 8	1RC-26280-00	30 - 12	1WD-E2241-00	1 - 17	1WD-E4469-00	8 - 22	1WD-E6356-00	13 - 14	B04-F137V-00-P0	6 - 19
1HX-12169-G0	3 - 8	1RC-26290-00	30 - 14	1WD-E2251-00	4 - 11	1WD-E446C-00	8 - 23	1WD-E6371-00	13 - 4	B04-F137V-00-P1	6 - 19
1HX-12169-J0	3 - 8	4SS-27218-00	33 - 3	1WD-E2252-00	4 - 12	B04-E449E-00	24 - 53	1WD-E7121-00	14 - 7	1WD-F144G-00	32 - 28
1HX-12169-L0	3 - 8	3KW-27234-00	33 - 8	1WD-E2256-00	4 - 14	1WD-E4602-00	9 - 1	1WD-E7131-00	14 - 5	1WD-F1511-00-P0	18 - 1
1HX-12169-N0	3 - 8	4BP-27261-00	32 - 25	1WD-E2405-00	6 - 8	1WD-E4613-00	9 - 19	1WD-E7151-00	14 - 2	1WD-F1511-00-P4	18 - 1
1HX-12169-T0	3 - 8	5GM-28379-01	38 - 13	1WD-E2413-00	6 - 2	1WD-E4628-00	9 - 23	1WD-E7161-00	14 - 6	1WD-F1511-00-P5	18 - 1
1WD-12210-01	4 - 6	3WP-81980-00	41 - 13	1WD-E2420-00	5 - 1	1WD-E4710-00	9 - 4	1WD-E7211-00	14 - 23	B04-F1533-00	24 - 57
5P0-12411-00	6 - 1	4WA-81980-00	41 - 12	1WD-E2422-00	5 - 14	54D-E4714-00	9 - 13	1WD-E7221-00	14 - 14	B04-F1557-00	6 - 20
5NL-12564-00	1 - 27	1WS-82504-00	42 - 11	1WD-E2428-00	5 - 15	1WD-E4715-00	9 - 14	1WD-E7231-00	14 - 18	31B-F1568-B0	24 - 3
5SL-12671-00	6 - 9	3D7-83318-10	36 - 11	1WD-E2450-00	5 - 6	1WD-E7248-00	9 - 8	1WD-E7241-00	14 - 19	1WD-F1586-00	18 - 9
2S3-12675-00	6 - 10	31A-83913-00	40 - 13	1WD-E2453-00	5 - 7	1WD-E473L-00	9 - 2	1WD-E7251-00	14 - 22	1WD-F1611-01	18 - 10
8GL-13571-00	8 - 13	31A-83945-00	40 - 12	33S-E2456-00	5 - 9	5TP-E4747-00	17 - 28	1WD-E7261-00	14 - 17	1WD-F1617-00	18 - 18
5JW-14104-00	8 - 15	1HP-83980-01	31 - 11	B04-E2461-00	6 - 11		32 - 48	1WD-E7402-00	14 - 13	1WD-F1621-00	18 - 28
8A7-14139-00	8 - 17	1RC-84314-00	38 - 4	B04-E2462-00	6 - 12	1WD-E4758-00	9 - 5	1WD-E7411-00	14 - 1	1WD-F1629-01	18 - 17
5PS-14147-00	8 - 8	4B4-84334-00	42 - 21	1WD-E2577-00	6 - 4	1WD-E4763-00	9 - 12	1WD-E7460-00	14 - 31	1WD-F163A-00	18 - 30
895-14169-00	8 - 16	1RC-84397-00	38 - 3	1WD-E2578-00	6 - 5	1WD-E4840-00	1 - 30	1WD-E8101-00	16 - 4	1WD-F163E-00	18 - 15

NUMERICAL INDEX

PART NO.	REF. NO.	PART NO.	REF. NO.	PART NO.	REF. NO.	PART NO.	REF. NO.	PART NO.	REF. NO.	PART NO.	REF. NO.
B04-F1642-00	24 - 56	1WD-F3110-00	22 - 4	B04-F414E-00	24 - 8	1WD-F5377-00	28 - 9	B04-F6111-00	30 - 1	B04-F8385-00-P2	19 - 54
1WD-F1652-00	17 - 3		22 - 21	5D9-F414G-00	17 - 5	1WD-F537W-00	28 - 11	1WD-F6240-00	30 - 3	1WD-H1315-00	42 - 12
1WD-F1668-00	20 - 17	45P-F3111-00	22 - 17		23 - 4	1WD-F537X-00	28 - 12	2DP-F6241-00	30 - 2	1WD-H1410-01	34 - 2
1WD-F1669-00	18 - 11		22 - 34	B04-F414G-00	17 - 15	1WD-F5383-00	28 - 21	1WD-F6246-00	30 - 4	1WD-H1450-00	34 - 1
B04-F1685-00	38 - 18	1WD-F3118-00	22 - 16	45P-F414H-00	23 - 5	1PA-F5386-00	26 - 8	B04-F6301-00	30 - 7	1WD-H1800-00	35 - 1
1WD-F1688-00	18 - 23		22 - 33	1WD-F4188-00	23 - 2	1WD-F5386-00	28 - 20	B04-F6315-00	30 - 10	1WD-H1801-00	35 - 2
1WD-F1689-00	18 - 24	45P-F3125-00	22 - 7	1WD-F4191-00	23 - 12	1WD-F5388-00	28 - 24	B04-F6335-00	30 - 6	1WD-H1828-00	35 - 4
1WD-F16A2-00	18 - 14		22 - 24	B04-F41A3-00	24 - 19	1WD-F539F-00	28 - 13	1WD-F7211-00	32 - 24	4FP-H182L-00	35 - 6
B04-F1716-00	19 - 50	1WD-F3126-00	22 - 3	B04-F41A4-00	24 - 20	1WD-F5443-00	28 - 10	50C-F7222-00	33 - 4	1WD-H183G-00	35 - 5
B04-F171E-00-P0	19 - 42	1WD-F3136-00	22 - 20	B04-F4244-00	24 - 11	1WD-F5807-00	31 - 2	45P-F7261-00	16 - 17	1WD-H1861-00	35 - 3
B04-F171E-00-P1	19 - 42	1WD-F3141-00	22 - 6	B04-F4244-10	24 - 11	1WD-F5808-00	33 - 2	1WD-F7311-00	32 - 1	1WD-H1940-00	41 - 15
1WD-F171L-00	19 - 21		22 - 23	B04-F4244-20	24 - 11	1WD-F580E-00	33 - 1	B04-F7321-00	32 - 2	1WD-H1950-00	41 - 14
1WD-F171M-00	19 - 24	45P-F3144-00	22 - 11	B04-F4245-00	24 - 23	1WD-F580U-00	27 - 3	1WD-F7430-00	32 - 32	1WD-H1960-00	42 - 15
1WD-F171N-00	19 - 27		22 - 28	B04-F4245-10	24 - 23	1WD-F580W-00	29 - 3	1WD-F7431-00	32 - 33	1WD-H1961-00	42 - 13
B04-F171X-00-P0	19 - 46	45P-F3145-00	22 - 9	B04-F4245-20	24 - 23	1WD-F581U-00	27 - 1	1WD-F7435-00	32 - 11	1WD-H2100-00	41 - 6
B04-F171X-00-P1	19 - 46		22 - 26	B04-F4254-00	24 - 2	50C-F582A-50	33 - 5		32 - 20	1WD-H2115-00	41 - 18
B04-F1726-00	19 - 52	45P-F3146-00	22 - 8	1WD-F4312-00	23 - 28	1WD-F582E-00	33 - 21	1WD-F7437-00	32 - 36	1WD-H2116-00	41 - 19
1WD-F172W-00	19 - 36		22 - 25	1WD-F4313-01	23 - 33	1WD-F582W-00	29 - 1		32 - 44	1WD-H2121-00	41 - 7
1WD-F1731-00-P0	19 - 40	45P-F3149-00	22 - 15	1WD-F4314-00	23 - 29	5TL-F5838-00	29 - 18	1WD-F7440-00	32 - 40	1WD-H2131-00	41 - 8
1WD-F1731-00-P4	19 - 40		22 - 32	1WD-F4315-00	23 - 34	1WD-F5852-00	31 - 4	1WD-F7441-00	32 - 41	5TL-H2131-00	25 - 30
1WD-F1732-00	39 - 7	45P-F3156-00	22 - 10	1WD-F4339-00	23 - 7	1WD-F5852-50	33 - 12	1WD-F7442-00	32 - 9	45P-H2133-00	40 - 5
B04-F175T-00	6 - 21		22 - 27	1WD-F4376-00	23 - 31	2VN-F5854-00	33 - 10	1WD-F7443-00	32 - 18	1WD-H2151-00	41 - 16
B04-F175U-00	6 - 22	509-F3158-L0	22 - 13	3C1-F4486-00	23 - 25	3C1-F5855-00	31 - 7	1WD-F7445-00	32 - 15	1WD-H2151-10	41 - 11
B04-F1781-00	19 - 2		22 - 30	1WD-F4491-00	23 - 24	50C-F5855-00	33 - 11	1WD-F7446-00	32 - 31	1WD-H2151-20	41 - 10
	19 - 12	1WD-F3170-00	22 - 5	B04-F4710-00	25 - 1	50C-F5866-00	33 - 6	1WD-F7451-00	32 - 10	1WD-H2310-00	41 - 1
B04-F1781-10	19 - 2		22 - 22	1WD-F4711-00	25 - 2	3RW-F5867-00	31 - 6	1WD-F7461-00	32 - 19	B04-H2314-00	41 - 2
	19 - 12	1WD-F3173-00	22 - 12	3C1-F4741-00	25 - 6	1WD-F5870-00	31 - 1	1WD-F8100-00	25 - 29	B04-H2314-10	41 - 3
B04-F1781-20	19 - 2		22 - 29	5BP-F4741-00	25 - 3	B04-F5872-00	31 - 14	31B-F8307-00	19 - 3	1WD-H2370-00	41 - 5
	19 - 12	31B-F3181-00	22 - 14	B04-F474A-00-P0	25 - 15	1WD-F5873-00	33 - 22		19 - 13	1WD-H2530-00	42 - 17
1WD-F179E-00	41 - 30		22 - 31	B04-F474A-00-P1	25 - 15	B04-F5875-00	31 - 17	B04-F8307-00	19 - 10	1WD-H2540-00	42 - 3
1WD-F1816-00	19 - 33	45P-F3188-00	22 - 18	B04-F474H-00	25 - 20	1WD-F5876-00	31 - 18	B04-F8307-10	19 - 20	1WD-H2576-00	42 - 18
1WD-F1817-00	19 - 34		22 - 35	B04-F474J-00	25 - 22	1WD-F5887-00	33 - 25	B04-F831V-00-P0	38 - 8	B04-H2590-00	41 - 9
3C1-F1828-00	19 - 32	1WD-F3340-00	22 - 36	B04-F474W-00-P0	25 - 17	50C-F5894-10	33 - 9	B04-F831V-00-P1	38 - 8	1WD-H2910-00	40 - 9
1WD-F1871-00	19 - 29	45P-F3346-00	22 - 39	B04-F474W-00-P1	25 - 17	1WD-F5895-50	33 - 13	B04-F832V-00-P0	38 - 9	1WD-H2911-00	40 - 10
1WD-F1875-00	19 - 31	B04-F334G-00	38 - 30	1WD-F4750-00	25 - 5	50C-F589A-00	33 - 15	B04-F832V-00-P1	38 - 9	5BP-H2917-00	40 - 16
1WD-F191B-00	17 - 7	5BP-F3416-00	21 - 2	1WD-F4780-00	25 - 7	1WD-F5914-50	29 - 16	B04-F833E-00	19 - 63	B04-H3310-00	36 - 1
1WD-F193A-00	17 - 4	5BP-F3418-00	21 - 5	1WD-F478E-00	25 - 10	5YP-F5917-00	27 - 8	B04-F833F-00	19 - 55	5HV-H3311-00	36 - 2
1WD-F2110-00	20 - 1	B04-F3435-00	21 - 6	1WD-F4792-00	25 - 8		29 - 6	B04-F833G-00	19 - 56		36 - 7
1WD-F2129-00	20 - 3	B04-F3441-00-P2	21 - 10	B04-F4845-00	25 - 16	1WD-F5919-00	27 - 10	B04-F8345-00	38 - 21		36 - 13
1WD-F2151-00	20 - 7	B04-F3442-00	21 - 13	B04-F4846-00	25 - 18	1WD-F5919-50	29 - 9	B04-F8356-00	38 - 28		36 - 18
1WD-F2174-00	28 - 25	1WD-F4110-00	23 - 1	1WD-F510C-00	26 - 2	1WD-F5921-50	29 - 12	B04-F8357-00	38 - 19	3C1-H3318-00	36 - 22
1WD-F2184-00	20 - 4	B04-F4121-00-P0	24 - 13	1WD-F5168-00-98	26 - 1	5YP-F5924-00	27 - 11	B04-F8358-00	41 - 32	B04-H3320-00	36 - 6
1WD-F2210-00	20 - 14	B04-F4121-00-P1	24 - 13	1WD-F5168-00-P0	26 - 1	1WD-F5924-50	29 - 10	1PA-F836B-00	19 - 64	3C1-H3328-00	36 - 5
1WD-F2311-00	20 - 11	B04-F4122-00-P0	24 - 25	1WD-F5338-00-98	28 - 1	5YP-F5925-01	27 - 9	B04-F836K-00	24 - 37		36 - 10
1WD-F248B-00	20 - 9	B04-F4122-00-P1	24 - 25	1WD-F5338-00-P0	28 - 1		29 - 11	B04-F836L-00	24 - 48	1WD-H3330-00	36 - 12
1WD-F3100-00	22 - 1	1WD-F412Y-00	23 - 6	1WD-F5364-00	28 - 5	5YP-F5937-00	27 - 7	B04-F837N-00	24 - 40	3C1-H333A-00	36 - 3
1WD-F3102-00	22 - 2	1WD-F413B-00	24 - 10	1WD-F5366-00-98	28 - 6	1WD-F5939-50	29 - 13	B04-F8385-00-P0	19 - 54		36 - 14
1WD-F3103-00	22 - 19		24 - 22	1WD-F5366-00-P1	28 - 6	1WD-F5939-60	29 - 14	B04-F8385-00-P1	19 - 54	1WD-H333E-00	36 - 15

NUMERICAL INDEX

PART NO.	REF. NO.	PART NO.	REF. NO.	PART NO.	REF. NO.	PART NO.	REF. NO.	PART NO.	REF. NO.	PART NO.	REF. NO.
1WD-H3340-00	36 - 17	B04-XF171-00-P1	19 - 1	90111-05018	18 - 22	90183-05807	19 - 15	90209-25011	14 - 15	90387-068L9	18 - 26
3C1-H334A-00	36 - 8	B04-XF171-00-P2	19 - 1	90111-05021	18 - 19		19 - 44	90214-22008	14 - 3		38 - 11
	36 - 19	B04-XF172-00-P0	19 - 11	90111-06013	32 - 16		19 - 48		14 - 20	90387-068N4	9 - 16
1WD-H334E-00	36 - 20	B04-XF172-00-P1	19 - 11	90111-06029	38 - 22		24 - 12	90215-18800	13 - 10	90387-06M60	24 - 59
1WD-H3351-00	42 - 22	B04-XF172-00-P2	19 - 11	90111-06096	38 - 12		24 - 18	90240-08124	33 - 16	90387-07717	38 - 23
1WD-H3371-00	42 - 23	B04-XF413-00-P0	24 - 21	90111-06117	19 - 57		24 - 24	90240-08145	32 - 13	90387-07819	17 - 18
1WD-H3378-00	42 - 25	B04-XF413-00-P1	24 - 21		24 - 5		24 - 30		32 - 22	90387-087L0	9 - 10
1WD-H3500-00	37 - 1	B04-XF413-00-P2	24 - 21		39 - 2		39 - 5		32 - 37		9 - 25
B04-H3519-00	37 - 5	B04-XF41C-00-P0	24 - 9	90111-06119	20 - 13	90183-05M02	24 - 38		32 - 45	90387-08813	17 - 27
1WD-H3571-00	37 - 2	B04-XF41C-00-P1	24 - 9	90111-06121	33 - 20		24 - 49	90269-06081	18 - 16		32 - 49
1WD-H3572-00	37 - 3	B04-XF41C-00-P2	24 - 9	90111-06137	18 - 2	90183-06011	9 - 18		18 - 31	90387-09801	19 - 60
54P-H3591-00	42 - 6	B04-XF41D-00-P0	24 - 1	90111-06140	38 - 10	90183-06069	38 - 6		19 - 8	90387-10010	32 - 6
1WD-H3755-00	42 - 9	1WD-XH250-00	41 - 29	90111-06151	6 - 24	90183-06818	9 - 7		19 - 18	90387-10842	25 - 27
1WD-H3912-00	40 - 11	B04-XH250-00	41 - 27	90111-06152	9 - 26		17 - 20		19 - 23	90387-17810	28 - 2
1WD-H3922-00	31 - 8	90105-06027	1 - 3	90111-06802	9 - 6	90201-04028	42 - 20		19 - 26	90387-20814	14 - 24
45P-H395W-00	40 - 2	90105-07800	4 - 4	90111-06847	9 - 11	90201-04804	39 - 14	90269-06812	6 - 25	90388-08802	25 - 21
	40 - 6	90105-088F7	10 - 6	90111-08815	27 - 2	90201-05036	38 - 25	90269-07076	24 - 54		25 - 23
45P-H395X-00	40 - 3	90105-088F8	2 - 16		29 - 2	90201-05043	42 - 29	90269-09001	24 - 55	90388-10816	17 - 6
B04-H3972-00	40 - 1	90105-088G0	10 - 7	90111-08826	25 - 24	90201-05827	37 - 8	90280-05013	34 - 6		21 - 7
B04-H3975-00	40 - 4	90105-088G7	9 - 21	90116-10065	28 - 14	90201-06072	6 - 15	90282-04036	2 - 17	90401-10812	31 - 15
B04-H4144-00	38 - 7	90105-106A7	32 - 5	90119-05020	24 - 15	90201-06088	9 - 17	90338-06809	21 - 17		33 - 23
B04-H4196-00	38 - 32	90105-10883	2 - 8		24 - 27	90201-06380	19 - 38	90338-06810	21 - 12	90401-20008	7 - 12
B04-H4300-00	38 - 1		34 - 4	90119-06810	19 - 9		23 - 9		25 - 25	90430-06014	4 - 8
B04-H4310-00	38 - 2	90105-10889	17 - 10		19 - 19		23 - 15	90338-16262	10 - 2		5 - 16
B04-H4369-00-P0	38 - 14	90105-10891	17 - 11		24 - 34	90201-06557	18 - 6	90338-23801	17 - 14		10 - 11
B04-H4410-00	38 - 5	90105-12093	20 - 15		24 - 45	90201-08083	33 - 17	90340-12808	7 - 14	90430-08119	1 - 6
1WD-H4547-00	39 - 10	90105-12309	20 - 8	90123-08083	40 - 18	90201-08119	25 - 26	90340-12813	1 - 4	90430-08143	11 - 4
1WD-H4710-01	39 - 1	90105-14102	21 - 8	90149-10804	27 - 13	90201-08612	9 - 22	90340-32819	11 - 5	90430-10804	42 - 7
1WD-H4726-00	39 - 11	90109-05003	18 - 29	90151-03005	40 - 17	90201-10021	16 - 19	90387-05042	39 - 16	90445-217G3	32 - 8
1WD-H4740-00	39 - 8	90109-060G4	41 - 28	90159-06054	25 - 13		32 - 26	90387-06130	6 - 23	90450-28001	6 - 7
1WD-H4744-00	39 - 9	90109-063F1	18 - 12	90160-04009	42 - 19	90201-10118	31 - 16	90387-06242	20 - 12	90450-55804	8 - 4
1WD-H4753-00	39 - 12	90109-06577	31 - 10	90160-05808	19 - 41		33 - 24	90387-06299	23 - 8	90462-08225	11 - 24
3C1-H5130-00	42 - 27	90109-06898	1 - 14	90170-06023	16 - 14	90201-10119	7 - 6		23 - 14	90462-08806	11 - 20
1WD-H5546-00	42 - 2	90109-06899	1 - 23	90170-18221	13 - 11	90201-102R1	2 - 9	90387-064W3	6 - 16	90462-08812	11 - 19
1WD-H5752-00	23 - 23	90109-085G6	32 - 17	90179-04003	24 - 39		34 - 5	90387-066J9	18 - 25	90464-12015	17 - 21
1WD-H591A-00	42 - 1		32 - 30		24 - 50	90201-10829	21 - 16	90387-067V1	39 - 3	90464-13249	41 - 26
1WD-H592A-00	42 - 8	90110-05806	23 - 19	90179-07652	2 - 4	90201-10843	13 - 16	90387-06857	19 - 30	90464-15195	41 - 23
4C9-W0048-00	27 - 6	90110-06161	4 - 13	90179-08316	40 - 19	90201-10845	1 - 9	90387-06899	19 - 6	90464-16003	40 - 7
5YP-W0048-50	29 - 8		4 - 15	90179-10805	17 - 12	90201-127E1	16 - 7		19 - 16	90464-16012	23 - 32
1WD-WF461-00	23 - 18		12 - 5	90179-20013	14 - 33	90201-16812	2 - 19		19 - 58	90464-20010	41 - 25
1WD-WF479-00	25 - 11	90110-06182	15 - 11	90179-25615	21 - 3	90201-17809	28 - 23		24 - 4	90464-22800	41 - 22
B04-XF137-00-P0	24 - 31	90110-06870	1 - 10	90183-05076	18 - 13	90201-20023	14 - 32		24 - 14	90464-30001	40 - 8
B04-XF137-10-P0	24 - 31	90110-08071	32 - 39	90183-050A7	18 - 20	90201-20276	14 - 25		24 - 26	90464-30009	41 - 31
B04-XF137-20-P0	24 - 31		32 - 47		19 - 4	90201-22013	13 - 12		24 - 33	90464-36800	38 - 20
B04-XF13A-00-P0	24 - 42	90110-08805	25 - 19		19 - 14	90202-05180	19 - 45		24 - 44		41 - 20
B04-XF13A-10-P0	24 - 42	90111-05003	19 - 37		24 - 36		19 - 49		38 - 16	90464-70800	41 - 21
B04-XF13A-20-P0	24 - 42		19 - 43		24 - 47	90202-26142	21 - 4	90387-068C5	18 - 4	90465-12356	41 - 24
B04-XF171-00-P0	19 - 1		19 - 47	90183-05807	19 - 5	90206-14001	16 - 18	90387-068L0	18 - 8	90467-08003	19 - 35

NUMERICAL INDEX

PART NO.	REF. NO.	PART NO.	REF. NO.	PART NO.	REF. NO.	PART NO.	REF. NO.	PART NO.	REF. NO.	PART NO.	REF. NO.
90467-09006	23 - 35	91312-05008	41 - 17	93210-21801	42 - 4	95022-08012	1 - 5	97702-50012	24 - 7		
90467-110A3	8 - 34	91312-05010	23 - 20	93210-27807	5 - 20	95022-08014	23 - 17		24 - 17		
90467-12052	8 - 39		23 - 26	93210-32816	11 - 6	95027-06010	9 - 3		24 - 29		
90467-12085	33 - 14		30 - 9	93210-39802	8 - 2	95027-06025	31 - 13	97702-50016	25 - 14		
90467-13802	8 - 38	91312-05012	11 - 2	93306-20314	28 - 3	95027-06045	18 - 5		37 - 7		
	8 - 41	91312-06010	5 - 13	93306-255Y9	14 - 8	95027-08035	9 - 15	97702-50025	8 - 28		
90467-15012	23 - 30	91312-06016	8 - 3	93306-302X4	26 - 4	95302-06600	16 - 15	97707-30505	6 - 13		
90467-16800	1 - 35		42 - 10	93306-30450	28 - 7	95302-08600	28 - 27	97707-40012	36 - 4		
90467-16801	1 - 32	91312-06020	1 - 22	93311-420Y3	14 - 10	95602-05100	42 - 28		36 - 9		
	1 - 34		4 - 10		14 - 26	95602-06100	31 - 9		36 - 16		
90467-250A1	6 - 6	91312-06025	11 - 15	93315-21570	5 - 4		40 - 15		36 - 21		
90480-01558	17 - 29	91312-06030	7 - 8	93317-11096	5 - 3	95602-06200	18 - 27	97707-40020	39 - 13		
	23 - 21		34 - 3	93317-11295	16 - 9	95602-10200	28 - 15	97707-50012	6 - 26		
90480-10003	39 - 6	91317-06020	30 - 5	93320-32403	20 - 5		32 - 7	97707-50016	18 - 21		
90480-11009	39 - 15	91317-08025	21 - 11	93399-99932	22 - 37	95602-12100	20 - 10		19 - 22		
90480-12581	9 - 9	91317-08030	21 - 9	93399-999Y3	21 - 1		20 - 16		19 - 25		
	9 - 24	91317-10020	17 - 24	93440-24200	14 - 4	95602-14200	20 - 6		19 - 28		
90480-12808	19 - 7	91317-10045	17 - 25		14 - 21		26 - 10		38 - 26		
	19 - 17	91317-10060	17 - 8	93440-28184	14 - 16	95602-16200	28 - 22	98502-05016	42 - 5		
	19 - 59	91401-20012	33 - 18	93440-52009	14 - 9	95607-08200	9 - 27	98502-06012	8 - 11		
	24 - 6	91401-25015	32 - 14	93450-16068	2 - 14	95607-10100	21 - 14	98507-05012	30 - 8		
	24 - 16		32 - 23	93501-04830	32 - 35	95612-08625	1 - 7	98902-05020	8 - 31		
	24 - 28		32 - 38		32 - 43	95707-06500	25 - 9	99002-07600	13 - 21		
	24 - 35		32 - 46	93605-10090	2 - 21	95707-08500	9 - 20	99009-08400	5 - 11		
	24 - 46	92012-08030	33 - 19	93900-00828	26 - 6	95802-06010	30 - 11	99009-10400	7 - 5		
	38 - 15	92014-08012	11 - 3		28 - 17		32 - 29		13 - 17		
90480-12815	18 - 3	92017-04020	24 - 41	94111-17801	26 - 5		38 - 27	99009-12400	16 - 6		
90480-13001	39 - 4		24 - 52	94114-17802	28 - 16	95802-06016	42 - 14	99009-15500	7 - 2		
90480-13398	17 - 17	92017-06025	38 - 17	94568-H3112	28 - 29	95802-06025	42 - 16	99530-08012	7 - 7		
90480-14004	37 - 6	92902-08600	13 - 20	94591-61118	4 - 5	95802-08012	42 - 24		11 - 8		
	38 - 24		28 - 26	94700-00318	1 - 11	95807-06014	19 - 39		11 - 11		
90480-15807	23 - 13	92902-10200	17 - 9	95022-06008	4 - 7	95807-06016	42 - 26	99530-10014	10 - 5		
90480-15808	6 - 17		21 - 15	95022-06010	37 - 9	95812-06012	23 - 11	99530-14016	1 - 13		
90480-15809	18 - 7	92907-04200	24 - 51		38 - 29	95812-06035	10 - 8		1 - 29		
90480-18418	19 - 61	92907-10600	17 - 26	95022-06012	19 - 62	95812-06045	10 - 9				
90480-18812	25 - 28	93101-20802	14 - 11		25 - 4	95812-06065	10 - 10				
90501-06022	15 - 3		14 - 27	95022-06014	17 - 19	95817-10025	32 - 3				
90501-080A2	15 - 8	93102-12891	16 - 10	95022-06020	6 - 3	95822-06010	8 - 36				
90501-12743	32 - 34	93102-15801	5 - 5		41 - 4	95822-06025	23 - 10				
	32 - 42	93102-35803	14 - 30	95022-06025	5 - 17		23 - 16				
90501-22800	2 - 20	93106-23002	28 - 4		7 - 17	95827-06014	33 - 26				
90506-23812	32 - 4	93106-26815	26 - 3		11 - 9	95827-06025	6 - 14				
90506-26807	32 - 27	93106-38046	28 - 8		11 - 12	97012-06020	16 - 20				
90508-18136	13 - 18	93210-068F7	10 - 13		11 - 18	97507-06525	40 - 20				
90508-183B9	32 - 12	93210-108H5	40 - 14		11 - 23	97602-04212	31 - 12				
	32 - 21	93210-12803	10 - 3		24 - 58	97702-30016	37 - 4				
90508-29806	16 - 5	93210-15620	33 - 7		35 - 7	97702-50012	19 - 51				
90520-03823	23 - 3	93210-16716	1 - 28	95022-06050	11 - 13		19 - 53				