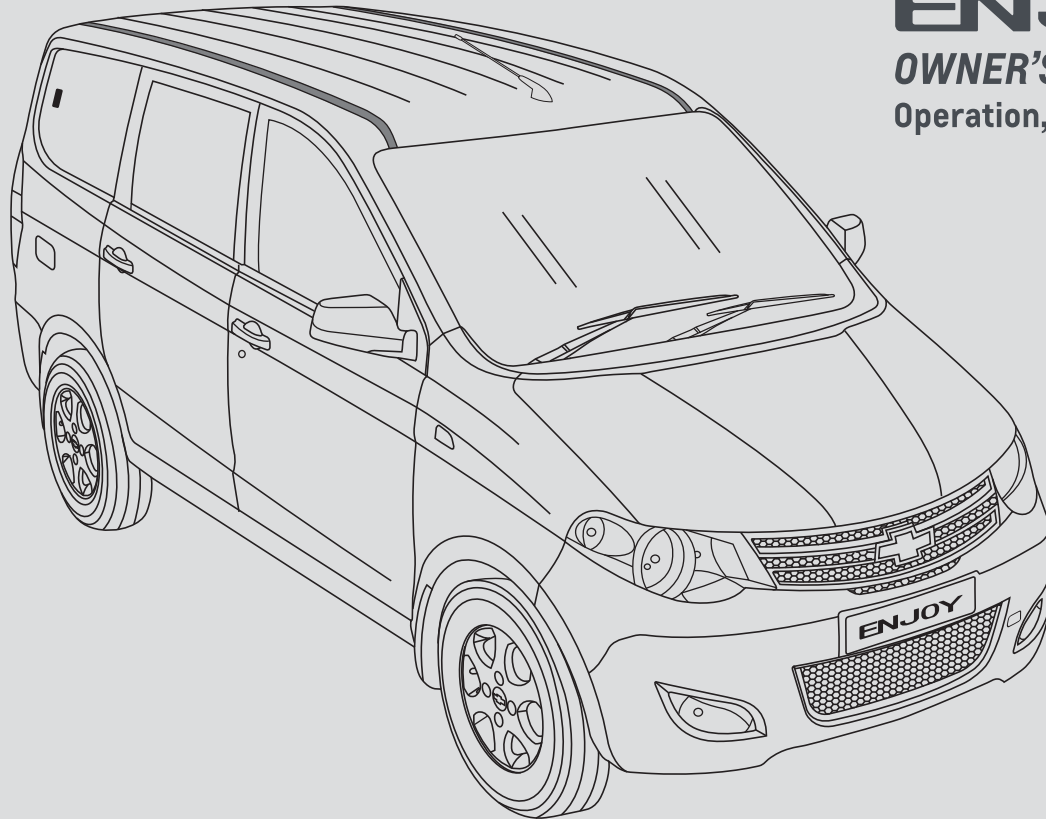


FIND NEW ROADS™

CHEVROLET



ENJOY PETROL
OWNER'S MANUAL
Operation, Safety and Maintenance

VEHICLE RECORD SHEET

Model Name		Delivery Date								Tyre Make			
V.I.N.											Tyre Location	Batch Code	
Engine No.									Key No.		Fr RH		
Registration No.								Regn. Date			Fr LH		
Transmission No.								Color, Code No.			Rr RH		
Battery Make		Battery Batchcode/SI.No.									Rr LH		
Owner's Name											Spare		
Address													
City											Pin Code		
Selling Dealer's Name													
Address													
					Pin Code								Selling Dealers Stamp

Dear Customer,

Welcome to the Chevrolet family. We wish to thank you for choosing Chevrolet Enjoy.

It is our constant endeavor to provide you with products that offer excellent performance through out their ownership period. Which is why, in addition to offering great cars, we have also set up an extensive, and very well equipped network of retailers and authorized service centres across the country.

Naturally, these Chevrolet retailers knows everything there is to know about your car, and provides you with the best service possible. In fact, every retailer is equipped with the most advanced technology, technicians specially trained by us, and genuine spares. Needless to say, they are also committed to ensure your complete satisfaction.

So, please contact a Chevrolet retailer for any servicing need and make sure that only genuine spares are used for your car.

This Manual will familiarize you with the operation and maintenance of your new vehicle. It will also provide you with important safety information. Please do read it carefully and follow the recommendations. In fact, the Manual is like a permanent part of your car. And it would go a long way in ensuring a safe and trouble-free operation for your car.

Should you have any query please feel free to call our 24 hr. Helpline at 1800 3000 8080 or email us at : gmi.cac@gm.com.

Happy Motoring

CONTENTS

Introduction	1-1
Introduction	1-1
Using this Manual	1-2
Danger, Warnings and Cautions	1-2
Keys, Doors and Windows	2-1
Keys and Locks	2-1
Doors	2-8
Vehicle Security	2-9
Exterior Mirrors	2-12
Interior Mirror	2-14
Windows	2-14
Sun Visors	2-17
Seats and Restraints	3-1
Head Restraints	3-2
Front Seats	3-3
Rear Seats	3-6
Safety Belts	3-11
Airbag System	3-18
Child Restraints	3-25
Storage	4-1
Storage Compartments	4-1
Seatback Hooks	4-3
Roof Paneling	4-3

Information on Loading the Vehicle	4-4
Instruments and Controls	5-1
Instrument Panel Overview	5-2
Controls	5-3
Warning Lights, Gauges and Indicators	5-10
Lighting.....	6-1
Exterior Lighting	6-1
Interior Lighting	6-5
Climate Control System	7-1
Air Vents	7-2
A/C Control Panel	7-4
Air Conditioning System	7-8
Rear Window Defogger	7-13
Air Outlets	7-14
Maintenance.....	7-15
Driving and Operating	8-1
Driving Information	8-2
Starting and Operating	8-13
Manual Transmission	8-16
Brakes	8-17
Object Detection Systems	8-23
Fuel	8-24

Engine Exhaust	8-27
Vehicle Care	9-1
General Information	9-2
Driver's Checklist	9-3
Hood	9-4
Engine Compartment Overview	9-6
Engine Oil	9-7
Coolant	9-11
Brake Fluid	9-16
Transmission Fluid	9-18
Power Steering Fluid	9-18
Windshield Washer Fluid	9-19
Windshield Wipers	9-20
Air Filter	9-21
Drive Belt	9-22
Battery	9-22
Brake Pedal	9-24
Parking Brake	9-24
Bulb Replacement	9-24
Electrical System	9-26
Wheels and Tires	9-29
Jump Starting	9-46
Towing	9-50

Appearance Care	9-55
Service and Maintenance	10-1
General Information.....	10-1
Scheduled Maintenance	10-3
Recommended Fluids and Lubricants	10-6
Technical Data.....	11-1
Vehicle Identification	11-1
Vehicle Specifications	11-3
Service and Warranty	12-1
Standard Limited Warranty Coverage	12-2
Predelivery Inspection and Vehicle Delivery	12-9
Owner's Statement of Acceptance	12-11
Chevrolet Service	12-13
Maintenance Record Sheet ...	12-19
Battery	12-21
Separate Corrosion Protection Service	12-22
Body Inspection Record	12-23
Emission Warranty	12-25
Annexure I	12-29
Annexure II.....	12-30

24x7 Roadside Assistance	13-1
How to Request Assistance	13-2
Benefits	13-3
Covered Area	13-3
Chevrolet Roadside Assistance at Home or on the Road	13-3
Vehicle Recovery Following Mechanical or Electrical Breakdown	13-3
Vehicle Recovery Following an Accident	13-4
Taxi Benefit	13-4
Urgent Message Relay	13-4
Locked Keys/Lost Key	13-4
Non Covered Events Under the Chevrolet Roadside Assistance Program	13-4
Special Exclusions	13-6
Adverse Weather	13-6
Force Majeure	13-7
External Factors	13-7
Right of Refusal	13-7
Disputes	13-7
Summary	13-7
Disclaimer	13-8

Service Network	14-1
Chevrolet Sales India Sales and Service Network	14-1
North Zone.....	14-2
West Zone	14-8
South Zone	14-13
East Zone	14-18
International	14-21

INTRODUCTION

Introduction 1-1
Using this Manual..... 1-2
Danger, Warnings and Cautions 1-2

INTRODUCTION

Your vehicle is a designed combination of advanced technology, safety, environmental friendliness, and economy.

This Owner's Manual provides you with all the necessary information to enable you to drive your vehicle safely and efficiently.

Make sure your passengers are aware of the possible risk of accident and injury which may result from improper use of the vehicle.

You must always comply with the specific laws and regulations of the country that you are in. These laws may differ from the information in this Owner's Manual.

When this Owner's Manual refers to a CHEVROLET retailer visit, we recommend your CHEVROLET Service Partner.

All CHEVROLET Service Partners provide first-class service at reasonable prices. Experienced mechanics trained by CHEVROLET work according to specific CHEVROLET instructions.

The customer literature pack should always be kept ready to hand in the vehicle.


USING THIS MANUAL

- The table of contents at the beginning of this Manual and within each section shows where the information is located.
- Certain functions and configurations described in this Manual do not apply to all models, but are dependent on the specific model.
- The Manual contains the latest information available at the time of printing. General Motors India Pvt. Ltd. is responsible for revision and clarification of this Manual, and has reserved the rights to make changes without notice after printing of this Manual. Some pictures shown are purely schematic diagrams for reference only. If any picture does not match the physical object, the object itself is decisive.
- The vehicle display screens may not support your specific language.


- The Owner's Manual uses the factory engine designations. The corresponding engine identification code can be found in the chapter "Technical Data".
- Directional data, e.g. left or right refers to the direction of travel.
- Depending on the model variant, country variant, integrated special equipment and accessories, the scope of equipment of your vehicle can differ from the descriptions in this Owner's Manual.

DANGER, WARNINGS AND CAUTIONS

Danger

Text marked  **Danger** provides information on risk of fatal injury. Disregarding this information may endanger life.

Warning

Text marked  **Warning** provides information on risk of accident or injury. Disregarding this information may lead to injury.

Caution

Text marked **Caution** provides information on possible damage to the vehicle. Disregarding this information may lead to vehicle damage.

Note: Text marked **Note** indicates a point to take into account when operating the vehicle. Failure to observe this may lead to incorrect operation.

⊘: This is a safety symbol which means 'Do not', 'Do not do this', or 'Do not let this happen'.

* **or (Option)** : The asterisk in this Manual signify an item of equipment that is not included on all vehicles. Such items include engine options, model variations specific to one country, and optional equipment.

All information, illustrations, and specifications in this Manual are based on the latest product information available at the time of publication.

General Motors India Pvt. Ltd. reserves the right to change specifications or designs at any time without notice and without incurring obligation.

This vehicle may not comply with the standards or regulations of other countries. Before attempting to register this vehicle in any other country, check all applicable regulations and make any necessary modifications.

This Manual describes the options and trims available at the time of publication. Some of the items covered may not apply to your vehicle. Contact your CHEVROLET retailer for information on options and trims availability.

Non-General Motors India Pvt. Ltd. genuine parts and accessories have not been examined or approved by General Motors India Pvt. Ltd. We can certify neither the suitability nor the safety of non-GMI genuine parts and accessories and are not liable for damage caused by their use.

Warning : Tampering of wiring harness or fitment of non genuine accessories in your vehicle may lead to short circuit resulting in fire.

We wish you many hours of pleasurable driving **Chevrolet**.

KEYS, DOORS AND WINDOWS

Keys and Locks	2-1
Keys	2-1
Remote Keyless Entry (RKE) System*	2-2
Door Locks	2-5
Child Safety Locks	2-7
Doors	2-8
Tailgate	2-8
Vehicle Security	2-9
Central Locking System*	2-9
Auto Door Relock*	2-9
Automatic Door Locking*	2-9
Automatic Door Unlocking* ..	2-9
Vehicle Locator Function*	2-10
Door Lock Reminder*	2-10
Anti-Theft Alarm System* ..	2-10
Exterior Mirrors	2-12
Convex Mirrors	2-12
Power Rear View Mirrors* ..	2-12
Manual Rear View Mirrors ..	2-13

Interior Mirror	2-14
Manual Rear View Mirror ...	2-14
Windows	2-14
Power Windows	2-14
Power Window Lock Switch ..	2-16
Tilt Quarter Window	2-16
Sun Visors	2-17

KEYS AND LOCKS

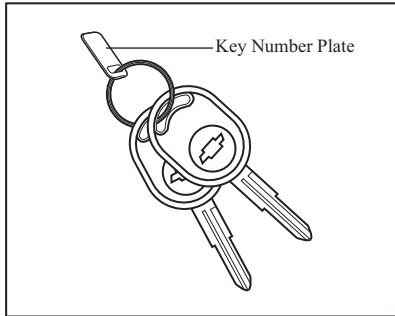
KEYS

Warning

Leaving children in a vehicle with the ignition key is dangerous for many reasons. Children or others could be badly injured or even killed. They could operate the power windows or other controls or even make the vehicle move.

The windows will function with the key in the ignition and children could be seriously injured or killed if caught in the path of a closing window. Do not leave the keys in a vehicle with children.

2-2 Keys, Doors and Windows



Two keys are provided with your new Chevrolet vehicle.

Keep one of the two keys as a spare. The key number is stamped on the key number plate. For vehicle security, keep the key number plate in a safe place, not in the vehicle. You should also record the key number in a safe place, not in the vehicle.

This deters unauthorized persons from obtaining a duplicate key.

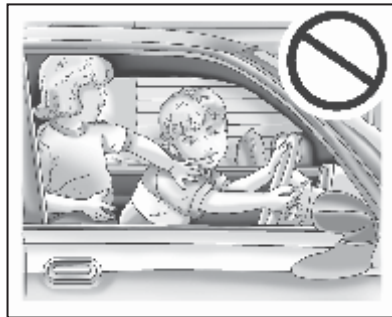
Warning

Do not leave the key in the vehicle.

- Lock the vehicle.
- Take the key with you.

Note

In case of loss, replacement keys are available with your CHEVROLET retailer.



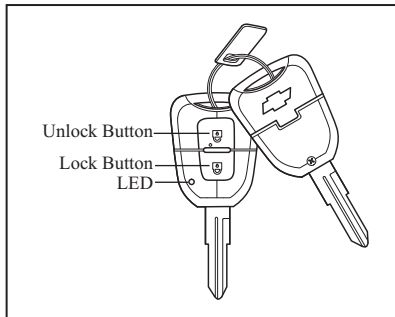
A key that is part of the Remote Keyless Entry (RKE) transmitter can be used for the ignition and all locks.

REMOTE KEYLESS ENTRY (RKE) SYSTEM*

Changes or modifications to this system by other than an authorized service facility could void authorization to use this equipment. If there is a decrease in the RKE operating range:

- Check the distance. The transmitter may be too far from the vehicle.
- Check the location. Other vehicles or objects may be blocking the signal.
- Check the transmitter's battery. See "Battery Replacement" later in this section.
- If the transmitter is still not working correctly, see your CHEVROLET retailer for service.

REMOTE KEYLESS ENTRY (RKE) SYSTEM OPERATION



Remote Keyless Entry allows you to lock and unlock doors using the transmitter within valid operating range. The LED on the transmitter flashes to indicate an effective operation.

- Lock Button [🔒]: Press to lock all doors. The hazard warning lamps flash twice and the horn sounds once. The anti-theft alarm system will be activated.

- Unlock Button [🔓]: Press to unlock all doors. The hazard warning lamps flash once and the horn sounds twice. The anti-theft alarm system will be deactivated.

Note

If any of the door (except tailgate) is not locked properly and Lock button is pressed, hazard warning lamps flash thrice and the horn sounds thrice to indicate that door is not locked properly.

Note

The transmitter operating range depends on the environmental conditions.

Note

Lock and Unlock buttons on the transmitter are disabled while the key is in the ignition switch position II/ON or III/START.

⚠ Warning

Do not lock the vehicle if anyone is to be left inside the vehicle.

Never leave children or pets unattended in your vehicle. The temperature inside the vehicle can increase more rapidly and reach much higher levels than the temperature outside.

This can result in serious injury or death.

TRANSMITTER

Each transmitter must be programmed to prevent the vehicle from unlocking with other transmitters.

Only RKE transmitters programmed to this vehicle will work. If a transmitter is lost or stolen, a replacement can be purchased and programmed through your CHEVROLET retailer. When the replacement transmitter is programmed to this vehicle, all remaining transmitters must also be reprogrammed. Any lost or stolen transmitter will no longer work once the new transmitter is programmed.

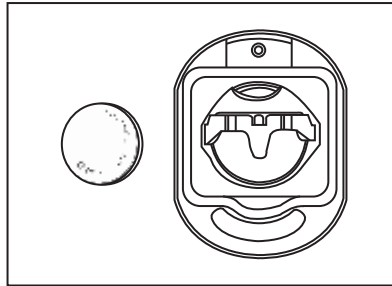
Each vehicle can have up to two transmitters programmed to it.

Note

If Unlock button is pressed and door is not opened within 30 seconds, doors will be locked automatically.

BATTERY REPLACEMENT

If the LED fails to illuminate or the range is noticeably diminished, it is an indication that a new battery is needed.



To Replace the Battery :

Note

Use CR2016 (or equivalent) replacement battery.

1. Remove the screw from the back of the cover.
2. Open the transmitter cover.
3. Remove the used batteries. Avoid

touching the circuit board to other components.

4. Install the two new batteries of same type. Be sure the positive side (+) faces down towards the base.
5. Assemble the transmitter cover.
6. Check the operation of the transmitter with your vehicle.

Warning

Make sure that you dispose of old batteries in accordance with environmental protection regulations to help protect the environment and your health.

Caution

When replacing the battery, do not touch any of the circuitry on the transmitter. Static from your body could damage the transmitter.

Pay attention to the polarity of the battery during replacement.

Caution

To ensure proper operation of the transmitter, do the following instructions:

- Prevent the transmitter dropping.
- Do not put any heavy objects on the transmitter.
- Prevent the transmitter from the water and the direct sunlight. If the transmitter contacts the water, dry it with soft cloth.

Caution

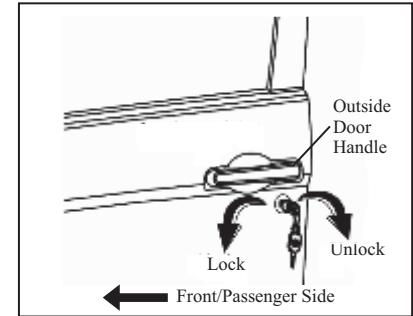
Do not touch the battery surface with your fingers. Otherwise, it will shorten the life of battery.

DOOR LOCKS

⚠ Warning

Unlocked doors can be dangerous.

- Passengers, especially children, can easily open the doors and fall out of a moving vehicle. When a door is locked, the handle will not open it. The chance of being thrown out of the vehicle in a crash is increased if the doors are not locked. So, all passengers should wear safety belts properly and the doors should be locked whenever the vehicle is driven.
- Young children who get into unlocked vehicles may be unable to get out. A child can be overcome by extreme heat and can suffer permanent injuries or even death from heat stroke. Always lock the vehicle whenever leaving it.
- Outsiders can easily enter through an unlocked door when you slow down or stop the vehicle. Locking the doors can help prevent this from happening.



Driver door lock - Turn key clockwise to lock and counter clockwise to unlock the driver door.

Passenger door lock - Turn key clockwise to unlock and counter clockwise to lock the passenger door. This will lock or unlock passenger door only.

Note

If your vehicle is equipped with a RKE system, lock or unlock the doors with the remote keyless entry transmitter.

2-6 Keys, Doors and Windows

Caution

Do not leave children or pets alone in the vehicle.

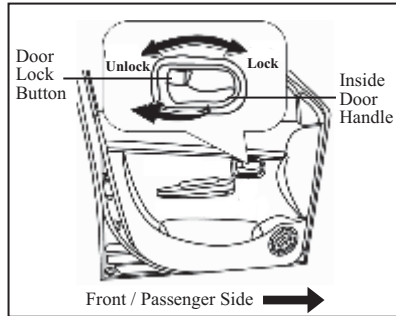
Serious injuries could occur. The children could operate the power windows or the controls and could even make the vehicle move.

Do not leave children in the vehicle with the ignition key. This can lead to serious injury or accidents.

Caution

Lock all doors and take the key with you, while leaving the vehicle unattended.

Unlocked vehicle invite theft.

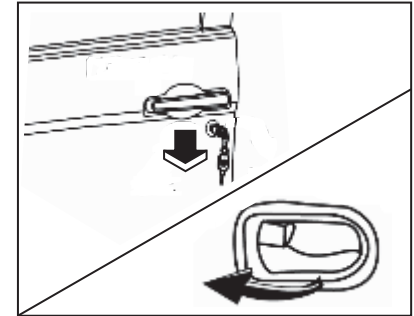


To lock any door from the inside, push the door lock button.

To unlock any door from the inside, pull the door lock button.

Note

The driver's door lock button cannot be pushed when the door is open. This prevents locking the driver's door when you leave the key inside your car by mistake.

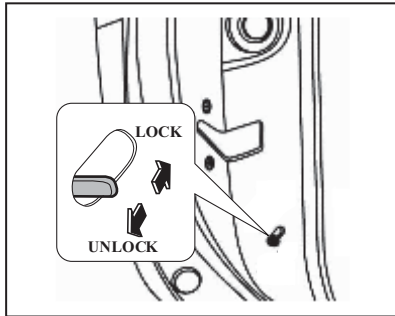


To open a door from outside or inside, pull the door handle.

Note

Grease should be applied to the door check latch and hinge at regular intervals or if a noise can be heard when opening, closing the door or during driving.

CHILD SAFETY LOCKS



Each rear door of this vehicle is equipped with a child safety lock.

The child safety lock is intended to prevent the rear doors from being accidentally opened by passengers (especially children) pulling the door handles from inside.

Caution

When the child safety lock is set at LOCK position, do not pull the door handle from inside the vehicle. The handle could be damaged otherwise.

To Activate a Child Safety Lock:

1. Open the rear door you want to lock.
2. Find the child safety lock lever near the center position on the door.
3. Slide the lever to LOCK position.

Note

Each rear door has its individual lock. The child safety locks for the rear doors must be individually, manually activated.

To open the rear door when the child safety lock is activated, unlock the door from inside by pulling out the door lock button and then open the door from outside.

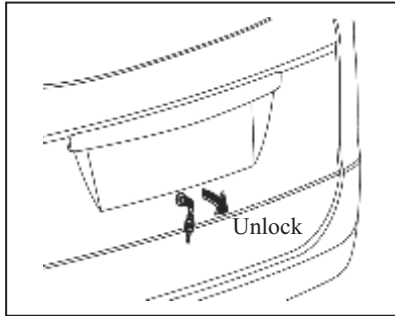
To deactivate the child safety lock, place the control lever to UNLOCK position.

Warning

Use the child security door locks whenever children are occupying the rear seats.

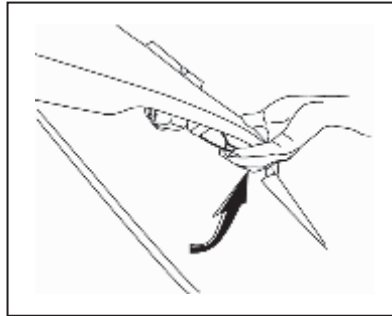
DOORS

TAILGATE

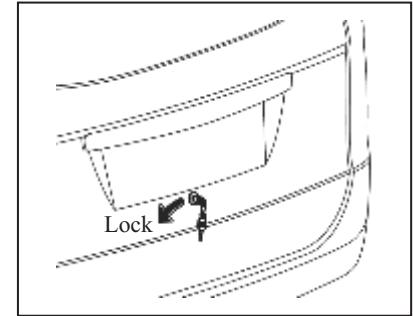


UNLOCK:

- To unlock the tailgate, insert the key into the key slot and turn it clockwise.



- Pull up the tailgate handle located above the license plate and lift the tailgate.



LOCK:

- To close the tailgate, push it down so it latches securely and insert the key into the key slot and turn it counter clockwise to lock the tailgate.

Note

If your vehicle is equipped with a RKE system, lock or unlock the tailgate with the remote keyless entry transmitter.

Note

The tailgate door is not featured with door lock reminder and anti-theft alarm system.

Make sure your hands and any other body parts, as well as those of other persons, are completely away from the tailgate closure area.

Caution

When opening or closing the tailgate, be sure to check it is free from obstructions.

Warning

Exhaust gases can enter the vehicle if it is driven with the tailgate open, or with any objects that pass through the seal between the body and the tailgate. Engine exhaust contains carbon monoxide (CO) which cannot be seen or smelled. It can cause unconsciousness and even death.


See “Engine Exhaust” on page 8-27.


VEHICLE SECURITY

CENTRAL LOCKING SYSTEM*


You can activate the central locking system from the driver’s door. This system will allow you to lock or unlock all the doors and tailgate at once by using your key (from outside) or the driver’s door lock button (from inside).

Using RKE Transmitter* :

Press the Lock [] button on the transmitter to lock all doors and tailgate. The hazard warning lamps flash twice and horn sounds once.

Press the Unlock [] button on the transmitter to unlock all doors and tailgate. The hazard warning lamps flash once and horn sounds twice.

AUTO DOOR RELOCK*

In anti-theft mode, if the Unlock [] button on the transmitter is pressed and door is not opened within 30 seconds, doors will be locked automatically and anti-theft alarm system will be activated. The hazard warning lamps flash twice and the horn sounds once.


AUTOMATIC DOOR LOCKING*

If this feature is equipped, all the doors will be automatically locked once the vehicle starts moving above 10km/h.

AUTOMATIC DOOR UNLOCKING*

Once the doors are locked automatically through automatic door locking feature, turn the ignition key to B/LOCK position, all the doors will be unlocked automatically.

VEHICLE LOCATOR FUNCTION*

Press the Lock [] button on the transmitter for 3 seconds, the vehicle locator function is activated. The hazard warning lamps flash for 15 seconds and horn sounds for 4 times with interval to locate your vehicle.

DOOR LOCK REMINDER*

After unlocking, if the door is opened and closed without locking, hazard warning lamps flash thrice and horn sounds thrice after 10 seconds, to remind that doors are not locked.

This feature reminds everytime whenever the door is opened and closed without locking.

Caution

Do not unlock the door while driving. If a passenger opens the door by accident, it can result in serious injury or death in case of an unexpected accident.

If the door is unlocked manually, lock it again using the door lock button for safety.

ANTI-THEFT ALARM SYSTEM*

DOOR LOCK AND ANTI-THEFT MODE ACTIVATION

1. Close all windows.
2. Turn the ignition key to B/LOCK position and remove the key.
3. Have all passengers exit the vehicle.
4. Close all doors.
5. Press and release Lock button on the transmitter.
 - The LED on the transmitter will flash.
 - All doors lock.
 - Hazard warning lamps flash twice and the horn sounds once.
 - Anti-theft mode is activated.

If the key is in the ignition switch position II/ON or III/START, the transmitter will not operate the anti-theft system.

Note

The system can be activated even if the windows are open. Close all the windows and doors before leaving the vehicle.

Warning

Do not lock the vehicle if anyone is to be left inside the vehicle.

Never leave children or pets unattended in your vehicle. The temperature inside the vehicle can increase more rapidly and reach much higher levels than the temperature outside.

This can result in serious injury or death.

Note

If pressing the Lock button on the transmitter when all the doors are not completely closed, the anti-theft system is in the open or disarmed state at this point and the hazard warning lamps flash thrice and horn sounds thrice. The anti-theft system transits to the locked or armed state when all the doors are completely closed and Lock button on the transmitter is pressed again. The hazard warning lamps flash twice and horn sounds once.

Note

The anti-theft system is activated only with the remote keyless entry transmitter.

ALARMSOUND*

The system provides visual (hazard warning lamps flashing) and audible (horn sound) signals for about 30 seconds when any of the doors (except tailgate) are opened without pressing the Unlock button on the transmitter.

The alarm sound is also activated, if the doors are locked by pressing the Lock button on the transmitter and key is inserted in the ignition switch and turned to II/ON position.

To stop the alarm and disable the anti-theft system :

- Press the Unlock button on the transmitter.
- Turn the ignition key switch from B/OFF to II/ON position for 8 times within 20 seconds.

If the unauthorized entry still exists, the alarm sound will be activated.

Note

To stop the alarm and enable the anti-theft system, press the Lock button on the transmitter.

If the system does not operate as described above, have it checked by your CHEVROLET retailer.

Note

Tap the key hole or heat the key if the door does not open with freezing key hole in cold weather.

⚠ Warning

Do not use the transmitter to lock the vehicle if anyone is to be left inside. Never leave children or pets alone in your vehicle. The temperature inside the vehicle can increase more rapidly and reach much higher levels than the temperature outside. This can result in serious injury or death.

DOOR UNLOCK AND ANTI-THEFT MODE DEACTIVATION

1. Press and release Unlock button on the transmitter.
 - The LED on the transmitter will flash.
 - All the doors unlock.
 - Hazard warning lamps flash once and horn sounds twice.
 - Anti-theft mode is deactivated.

Note

In this model, unlocking the doors (except tailgate) with a key will sound alarm in anti-theft mode. Make sure to press the Unlock button on the transmitter to unlock the doors and disable the anti-theft system.

EXTERIOR MIRRORS

CONVEX MIRRORS

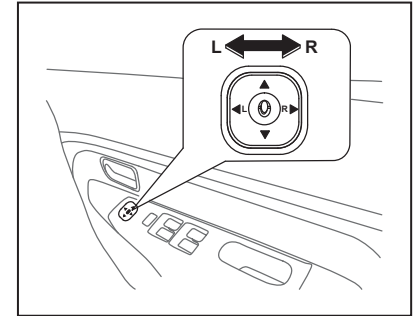
Warning

A convex mirror can make things, like other vehicles, look farther away than they really are. If you cut too sharply into the right lane, you could hit a vehicle on the right. Check the inside mirror or glance over your shoulder before changing lanes.

Both passenger and driver side outside mirrors are convex shaped.

The convex exterior mirror reduces blind spots. The shape of the mirror makes object appear smaller, which affects the ability to estimate distances.

POWER REAR VIEW MIRRORS*



The outside power rear view mirrors can be adjusted by using the mirror switch that is located on the driver side door panel. The ignition switch must be at II/ON position for this feature to work.

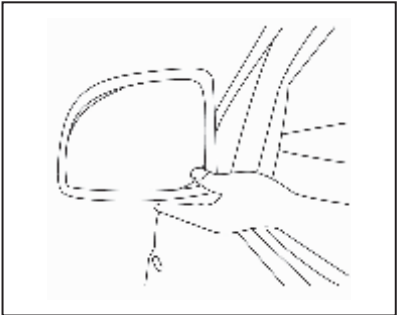
1. Choose the left or right mirror by moving the center control knob to L (Left) or R (Right).

- 2. Adjust the selected mirror in four directions: up, down, left or right using the corresponding control keys-up (▲), down (▼),left (◀) or right (▶),so that the side and the area behind the vehicle can be seen.
- 3. Return the control knob to the center position so that the mirror cannot be moved.

Caution

Do not operate mirror continuous while the engine is not running. This will discharge the battery.

MANUAL REAR VIEW MIRRORS



As shown in above the illustration, press the four corners of outside manual rear view mirror, so that the side and the area behind the vehicle can be seen.

FOLDING MIRRORS

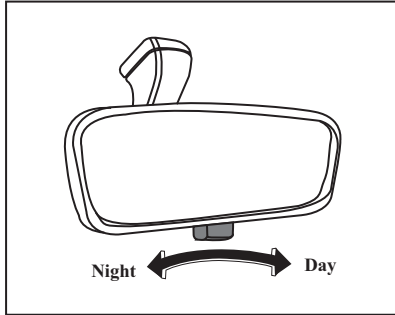
Manually fold the outside mirrors in, to prevent damage when going through an automatic car wash or for pedestrian safety. To fold, while sitting in the vehicle, pull the mirrors towards the vehicle. Push out, to return the mirrors to their original position.

Warning

Always keep your mirrors properly adjusted, and use them while driving to increase your visibility of objects and other vehicles around you. Do not drive while either outside rearview mirror is folded back.

INTERIOR MIRROR

MANUAL REAR VIEW MIRROR



The interior rear view mirror can be manually adjusted in four directions.

Interior rear view mirror can be adjusted to Day/Night mode to reduce glaring from the following vehicles. Turn the adjustment knob located under the interior rear view mirror to clockwise for Day mode and counter clockwise for Night mode.

Warning

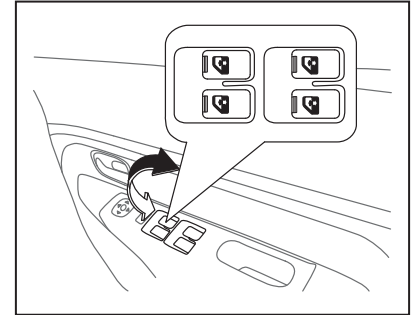
Your view through the mirror may lose some clarity when it is adjusted for night vision.

Take special care with using your inside rearview mirror when it is adjusted for night vision.

Failure to ensure a clear rear view while driving may result in a collision causing damage to your vehicle or other property, and/or personal injury.

WINDOWS

POWER WINDOWS



The power windows (front & rear) are controlled by the power window switches located on the driver side door panel as shown in the above illustration. There is also a switch on front passenger side door panel to operate the front passenger window and a switch on each rear door panel for rear seat passengers to operate the rear windows.

Power windows can be operated with key in ignition II/ON position.

Operate the switch for the respective window by pressing down to open or lifting up to close.

OPERATION

You may operate the power windows when the ignition switch is in II/ON position by using the power window switches on each door panel.

To open the window, press down on the switch. To close the window, lift up on the switch. Release the switch when the window reaches the desired position.

Note

The rear windows cannot be fully opened.

⚠ Warning
Do not operate the power window switch with no purpose.

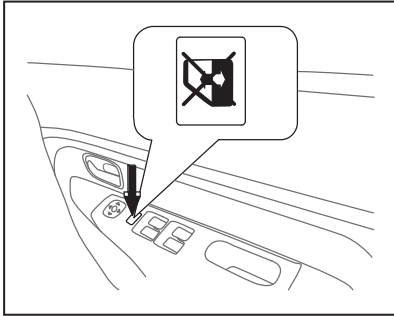


⚠ Warning
Leaving children, helpless adults, or pets in a vehicle with the windows closed is dangerous. They can be overcome by the extreme heat and suffer permanent injuries or even death from heat stroke. Never leave a child, a helpless adult, or a pet alone in a vehicle, especially with the windows closed in warm or hot weather.

⚠ Warning
Take care when operating the power windows. Risk of injury, particularly to children. If there are children on the rear seat, switch on the child safety system for the power windows. Keep a close watch on the windows when closing them. Ensure that nothing becomes trapped in them as they move.

⚠ Warning
Body parts outside vehicle can be struck by passing objects. Keep all parts of body inside vehicle. Children can operate and become entrapped in power windows. Do not leave your keys or unattended children in your car. Serious injury or death can occur from misuse of power windows.

POWER WINDOW LOCK SWITCH



The power window lock switch allows you to lock the rear and passenger window switches. Press the lock switch to deactivate the rear and passenger side window switches. The rear and passenger windows can only be operated from the driver's door control panel.

Caution

Children could operate the power windows and become trapped by the windows, resulting in serious injuries.

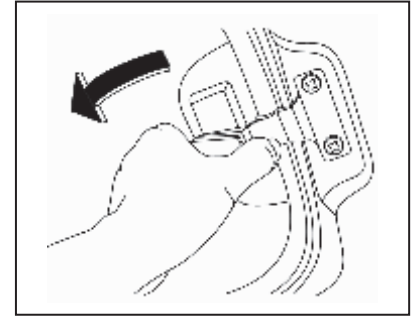
Use the power window lock switch when children are traveling in the rear seats.

Caution

The unattended vehicle could be stolen with the windows open.

Close all the windows before leaving the vehicle.

TILT QUARTER WINDOW



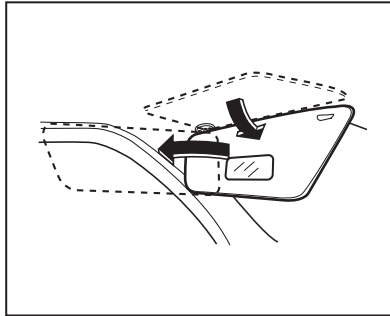
OPEN :

1. Pull the handle inward to unlock the window in the direction as shown.
2. Push the handle outwards to open the window.
3. To hold the window in the open position, secure the handle in lock position by pressing it till a click sound is heard.

CLOSE :

1. Unsecure the handle and pull the handle inwards to close the window.
2. To lock the window in closed position, press the handle till the click sound is heard.

SUN VISORS



Your vehicle is equipped with sun visors to protect the driver and passengers from dazzling.

The sun visors can be folded down or swivelled to the side to prevent dazzling.

The passenger side sun visor has vanity mirror*.

⚠ Warning

Do not place the sun visor in such a manner that it obscures visibility of the roadway, traffic or other objects.

SEATS AND RESTRAINTS

Head Restraints 3-2
 Head Restraints Position 3-2
 Head Restraints 3-2

Front Seats 3-3
 Seat Position 3-3
 Seat Horizontal Position
 Adjustment 3-4
 Seat Height Adjustment* 3-4
 Seatback Adjustment 3-4

Rear Seats 3-6
 Second Row Seats
 (60:40 Split Seats*) 3-6
 Second Row Seats
 (Captain Seats*) 3-8
 Third Row Seat 3-10

Safety Belts 3-11
 Safety Belts 3-11
 How to Wear Safety Belts
 Properly 3-13

Lap-Shoulder Belt 3-14
 Safety Belt Use During
 Pregnancy 3-15
 Lap Belt 3-16
 Safety System Check 3-17
 Safety Belt Care 3-17
 Replacing Safety Belt System
 Parts after a Crash 3-17

Airbag System* 3-18
 Front Airbag System 3-18
 Where are the Airbags? 3-20
 When Should an Airbag
 Inflate? 3-21
 What Makes an Airbag
 Inflate? 3-22
 How Does an Airbag
 Restrain? 3-22
 What Will You See After
 an Airbag Inflates? 3-22

Servicing the Airbag -
 Equipped Vehicle 3-24
 Airbag System Check 3-24
 Replacing Airbag System
 Parts After a Crash 3-24

Child Restraints* 3-25
 Older Children 3-25
 Infants and Young
 Children 3-27
 Child Restraint Systems 3-29
 Securing a Child Restraint 3-31
 Where to Put the Restraint 3-32

HEAD RESTRAINTS

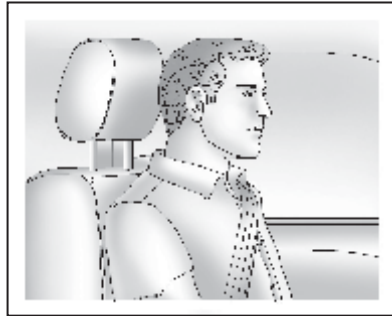
HEAD RESTRAINTS POSITION

⚠ Warning

Only drive with the head restraint set to the proper position.

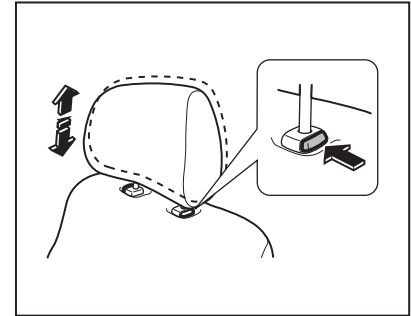
Removed or improperly adjusted head restraints can result in serious head and neck injuries in case of a collision.

Make sure that the head restraints are adjusted before driving.



Adjust the headrest so that the top of the headrest is at the same height as the top of the occupant's head. This position reduces the chance of a neck injury in a crash.

HEAD RESTRAINTS (Front & Rear Seats)



HEIGHT ADJUSTMENT

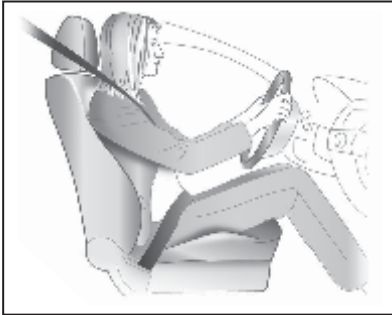
Press the lock release button, at the same time adjust the headrest upwards or downwards to an appropriate position, and release the button to lock it. Try to move the headrest to make sure that it is locked in place.

HEADREST REMOVAL

To remove the headrest, press the lock release button and pull the headrest upward.

FRONT SEATS

SEAT POSITION



⚠ Warning

Seats must be properly adjusted before driving.

- It is advised to sit right back on the seat. Adjust the distance between the seat and the pedals properly so that your legs are slightly bent when pressing the pedals. Seats for passengers should be slid back as far as possible.

- Lean your shoulders against the seatback as much as possible.
- Adjust the seatback to ensure that the steering wheel is within easy reach with arms slightly bent.

When turning the steering wheel, keep your shoulders against the seatback. The seatback should not be angled too far back. The maximum recommended rake is around 25 degrees.

- Set the seat at a desired position where the driver has a clear view in all directions and of all display instruments.

The distance between the head and the headlining should be at least the width of one hand.

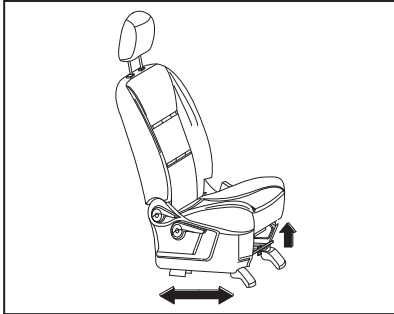
Thighs should be comfortably supported on the seat.

⚠ Danger

Do not sit nearer than 25cm (10in) to the steering wheel, to permit safe airbag deployment.

3-4 Seats and Restraints

SEAT HORIZONTAL POSITION ADJUSTMENT



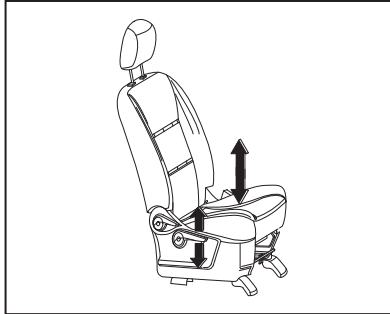
⚠ Warning

Do not adjust the driver's seat while the vehicle is moving.

Driver could lose control of the vehicle and injury or property damage could result.

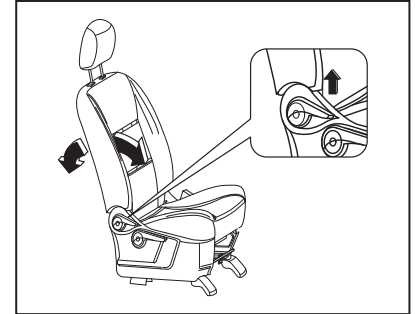
Pull the handle up and slide the seat forward or backward to an appropriate position, then release the handle. Slide the seat forward and backward to ensure it is locked in the appropriate position.

SEAT HEIGHT ADJUSTMENT * (Driver's Seat Only)



To adjust the height of the seat cushion upward or downward, repeatedly pull the lever upward or push the lever downward. When the seat cushion reaches the desired position, release the lever.

SEATBACK ADJUSTMENT



Lift the lever, adjust the seatback to an appropriate position, then release the lever.

After the adjustment, lean back against the backrest to make sure that the seatback has been locked in an appropriate position.

Do not lean against the seatback when making adjustments.

⚠ Warning

You can lose control of the vehicle if you try to adjust a driver seat while the vehicle is moving.

Adjust the driver seat only when the vehicle is not moving.

⚠ Warning

If either seatback is not locked, it could move forward in a sudden stop or crash. That could cause injury to the person sitting there. Always push and pull on the seatbacks to be sure they are locked.

⚠ Warning

Things you put on this seatback can strike and injure people in a sudden stop or turn, or in a crash. Remove or secure all items before driving.

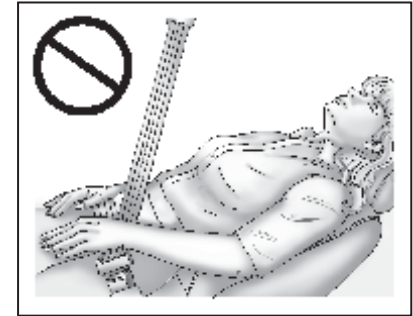
⚠ Warning

Sitting in a reclined position when the vehicle is in motion can be dangerous. Even when buckled up, the safety belts cannot do their job.

The shoulder belt will not be against your body. Instead, it will be in front of you. In a crash, you could go into it, receiving neck or other injuries.

The lap belt could go up over your abdomen. The belt forces would be there, not at your pelvic bones. This could cause serious internal injuries.

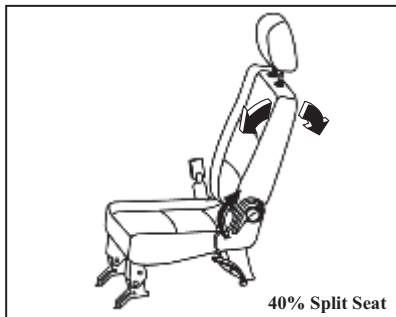
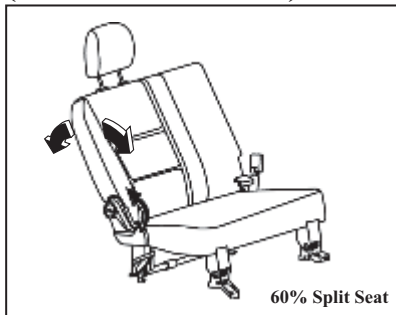
For proper protection when the vehicle is in motion, have the seatback upright. Then sit well back in the seat and wear the safety belt properly.



Do not have a seatback reclined if the vehicle is moving.

REAR SEATS

SECOND ROW SEATS (60:40 SPLIT SEATS*)



SEATBACK ADJUSTMENT

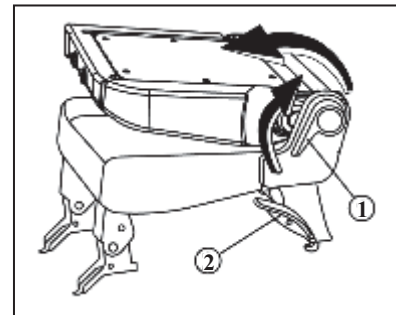
Lift the lever, adjust the seatback to an appropriate position, then release the lever.

After the adjustment, lean back against the backrest to make sure that the seatback has been locked in an appropriate position.

Do not lean against the seatback when making adjustments.

⚠ Warning

If either seatback is not locked, it could move forward in a sudden stop or crash. That could cause injury to the person sitting there. Always push and pull on the seatbacks to be sure they are locked.



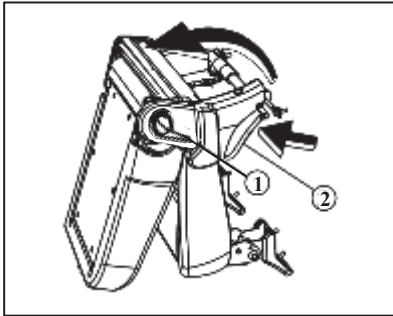
TUMBLING THE SECOND ROW SEATS

1. Headrest Removal

To remove the headrest, press the lock release button and pull the headrest upward. See “Headrest Removal” on page 3-2.

2. Seat Folding

Lift the seatback adjuster lever ① located on the outboard side of the seat, and fold the seat back to the cushion.

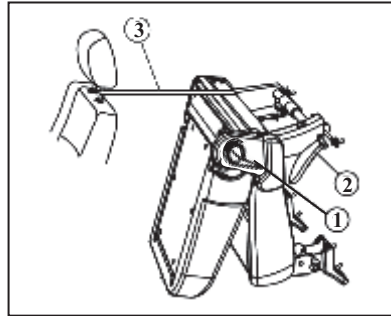


3. Seat Tumbling

Press the lockout lever ② located under the rear outboard side of the seat, and tumble the seat forward.

Caution

Folding a rear seat with the safety belts still fastened may cause damage to the seat or the safety belts. Always unbuckle the safety belts and return them to their normal stowed position before folding a rear seat.



4. Seat Secure

Snap the strap ③ on the front seat back head restraint rod, and secure the tumbled seat.

Repeat the steps 1-4 for the other seat if desired.

RETURNING THE SECOND ROW SEATS FROM THE TUMBLED POSITION

⚠ Warning

To avoid injury, do not place toes or feet on top of or under the second-row seats while the second-row seats are being returned to the sitting position from the tumbled position.

Third-row-seat passengers should keep their feet on the floor.

Before returning a tumbled seat to the sitting position, clear the area under and around the seat base.

3-8 Seats and Restraints

1. Place the safety belts in the proper position.
2. Unsnap the strap, pull the seat base towards the vehicle floor and push down on the seat to secure it.
3. Push and pull on the seat to make sure it is locked in place.
4. Raise the seatback to the upright position.
5. Make sure the safety belts are not twisted or caught in the seatback.
6. Repeat steps 1-5 for the other seat, if necessary.

Caution

Do not pull the lever when the seatback is folded. This operation can cause damage to the lever or related parts.

SECOND ROW SEATS (CAPTAIN SEATS*)

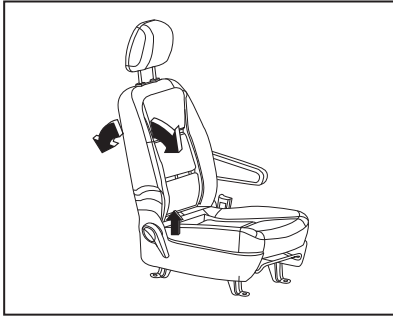


SEAT HORIZONTAL POSITION ADJUSTMENT

Pull the handle up and slide the seat forward or backward to an appropriate position, then release the handle. Slide the seat forward and backward to ensure it is locked in the appropriate position.

Warning

A safety belt that is improperly routed, not properly attached, or twisted will not provide the protection needed in a crash. The person wearing the belt could be seriously injured. After raising the rear seat back, always check to be sure that the safety belts are properly routed and attached, and are not twisted.



SEATBACK ADJUSTMENT

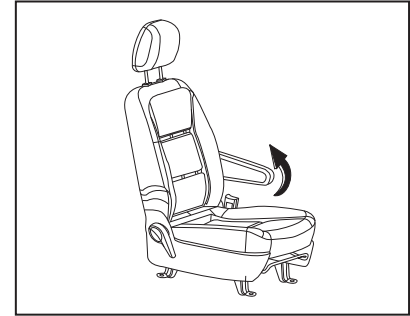
Lift the lever, adjust the seatback to an appropriate position, then release the lever.

After the adjustment, lean back against the backrest to make sure that the seatback has been locked in an appropriate position.

Do not lean against the seatback when making adjustments.

Warning

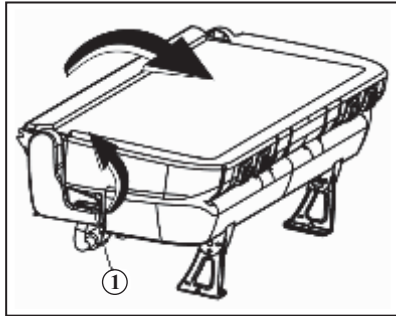
If either seatback is not locked, it could move forward in a sudden stop or crash. That could cause injury to the person sitting there. Always push and pull on the seatbacks to be sure they are locked.



ARM REST

The second row captain seats have adjustable armrest. Pull the armrest for upward adjustment and for downward, pull the armrest up completely and then push it down to the desired position.

THIRD ROW SEAT



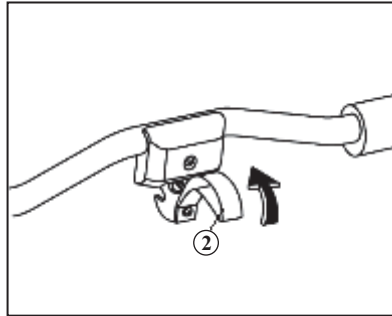
TUMBLING THE THIRD ROW SEAT

1. Headrest* Removal

To remove the headrest, press the lock release button and pull the headrest upward. See "Headrest Removal" on page 3-2.

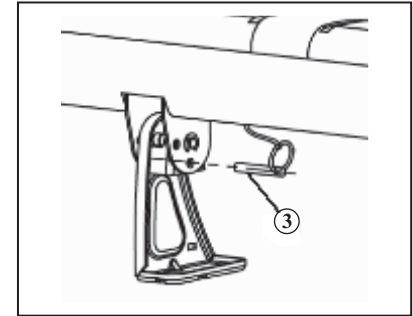
2. Seat Folding

Lift the seatback adjuster lever ① located on the outboard side of the seat, and fold the seat back to the cushion.



3. Seat Tumbling

Lift up the strap ② and tumble the seat forward.



4. Seat Secure

Align the lock pin ③ to the hole on the seat support after folding the complete seat assembly. Then, lock the seat with the lock pin to secure the seat and to avoid the seat tilting backward.

Follow the reverse sequence to unfold the third row seat.

When the seatback is not in use, it should be kept in the upright, locked position.

SAFETY BELTS

SAFETY BELTS

The safety belt is one of the most important safety devices for the driver and passenger. Never neglect using the safety belts. Be sure to fasten the safety belt each time before driving.

⚠ Warning
Do not let anyone ride where a safety belt cannot be worn properly. In a crash, if you or your passenger(s) are not wearing safety belts, injuries can be much worse than if you are wearing safety belts. You can be seriously injured or killed by hitting things inside the vehicle harder or by being ejected from the vehicle. In addition, anyone who is not buckled up can strike other passengers in the vehicle.
(Continued)

⚠ Warning (Continued)
It is extremely dangerous to ride in a cargo area, inside or outside of a vehicle. In a collision, passengers riding in these areas are more likely to be seriously injured or killed. Do not allow passengers to ride in any area of the vehicle that is not equipped with seats and safety belts.
Always wear a safety belt, and check that all passenger(s) are restrained properly too.

The vehicle has indicator as a reminder to buckle the safety belt. See “ Driver Safety Belt Reminder Light “ on page 5-21 for additional information.

The safety belt is designed to be used by one passenger at a time. Check regularly all the parts of the safety belt system for damage or malfunction and replace the damaged parts.

In the event of an accident, contact your CHEVROLET retailer to replace the safety belts.

⚠ Warning
Sitting in a reclined position when your vehicle is in motion can be dangerous. Even if you buckle up, your safety belts can't do their job when the seatback is excessively reclined. In order to gain the full benefit of a safety belt, you must wear it correctly and position yourself correctly within your seat.

3-12 Seats and Restraints

⚠ Warning

Wearing a safety belt improperly could cause serious injury.

Make sure the seatback is in the upright position.

Wear your safety belt closely against the body. Do not wear your shoulder belt under your arm, around your neck, over an inside shoulder or behind your back.

⚠ Warning

If a hard or breakable object is between a safety belt and an occupant, such as a ballpoint pen or glasses in a pocket, the occupant can be injured in the event of a collision.

⚠ Warning

Improper use of a safety belt can cause serious injury. Do not modify the safety belt. Do not add any device which would affect the operation of the safety belt.

⚠ Warning

Before you close the door, make sure the safety belt is out of the way. Otherwise, the belt and/or the vehicle body could be damaged.



WHY SAFETY BELTS WORK

When riding in a vehicle, you travel as fast as the vehicle does. If the vehicle stops suddenly, you keep going until something stops you. It could be the windshield, the instrument panel, or the safety belts!

When you wear a safety belt, you and the vehicle slow down together. There is more time to stop because you stop over a longer distance and, when worn properly, your strongest bones take the forces from the safety belts. That is why wearing safety belts makes such good sense.

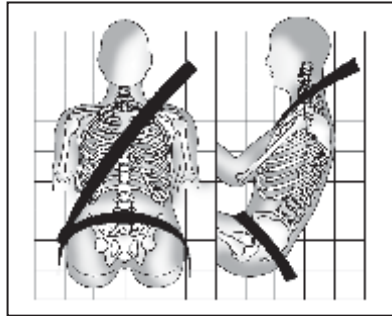
HOW TO WEAR SAFETY BELTS PROPERLY

This section is only for people of adult size.

There are special things to know about safety belts and children. And there are different rules for smaller children and infants. If a child will be riding in the vehicle, see "Older Children" on page 3-25 or "Infants and Young Children" on page 3-27. Follow those rules for everyone's protection.

It is very important for all occupants to buckle up. Statistics show that unbelted people are hurt more often in crashes than those who are wearing safety belts.

There are important things to know about wearing a safety belt properly.



- Sit up straight and always keep your feet on the floor in front of you.
- Always use the correct buckle for your seating position.
- Wear the lap part of the belt low and snug on the hips, just touching the thighs. In a crash, this applies force to the strong pelvic bones and you would be less likely to slide under the lap belt. If you slid under it, the belt would apply force on your abdomen. This could cause serious or even fatal injuries.

- Wear the shoulder belt over the shoulder and across the chest. These parts of the body are best and able to take belt restraining forces. The shoulder belt locks if there is a sudden stop or crash.

Warning

You can be seriously injured, or even killed, by not wearing your safety belt properly.

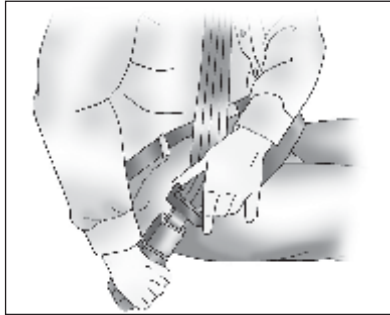
- Never allow the lap or shoulder belt to become loose or twisted.
- Never wear the shoulder belt under both arms or behind your back.
- Never route the lap or shoulder belt over an armrest.

LAP-SHOULDER BELT

All seating positions in the vehicle have a lap-shoulder belt except for the second and third row center position which may have a lap belt. See "Lap Belt" on page 3-16 for more information.

The following instructions explain how to wear a lap-shoulder belt properly.

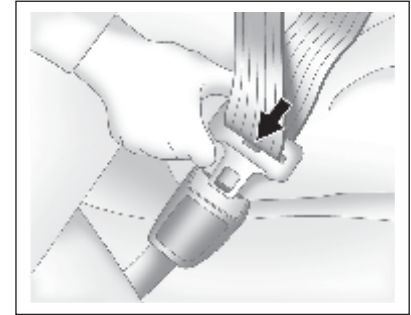
1. Adjust the seat, if the seat is adjustable, so you can sit up straight.



2. Pick up the latch plate and pull the belt across you. Do not let it get twisted.

The lap-shoulder belt may lock if you pull the belt across you very quickly. If this happens, let the belt go back slightly to unlock it. Then pull the belt across you more slowly.

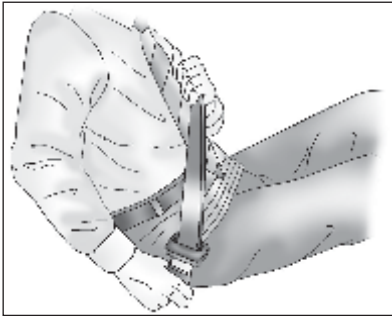
If the shoulder portion of a passenger belt is pulled out all the way, the child restraint locking feature may be engaged. If this happens, let the belt go back all the way and start again.



3. Push the latch plate into the buckle until it clicks.

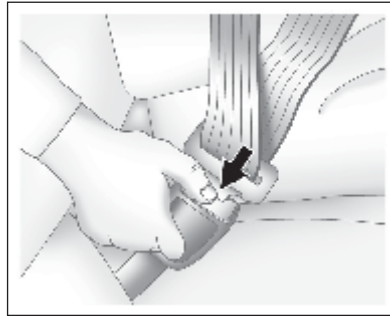
Pull up on the latch plate to make sure it is secure.

Position the release button on the buckle so that the safety belt could be quickly unbuckled if necessary.



4. To make the lap part tight, pull up on the shoulder belt.

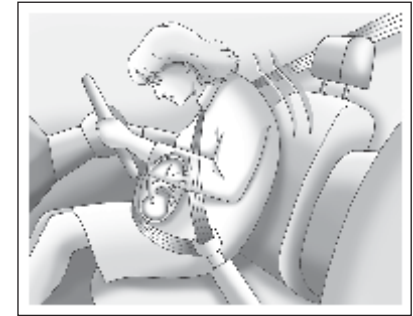
It may be necessary to pull the stitching on the safety belt through the latch plate to fully tighten the lap belt on smaller occupants.



To unlatch the belt, push the button on the buckle. The belt should return to its stowed position. Slide the latch plate up the safety belt webbing when the safety belt is not in use. The latch plate should rest on the stitching on the safety belt, near the guide loop on the side wall.

Before a door is closed, be sure the safety belt is out of the way. If a door is slammed against a safety belt, damage can occur to both the safety belt and the vehicle.

SAFETY BELT USE DURING PREGNANCY

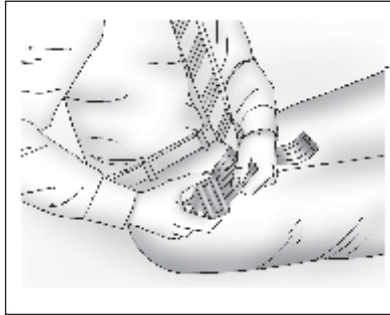


Safety belts work for everyone, including pregnant women. Like all occupants, they are more likely to be seriously injured if they do not wear safety belts.

A pregnant woman should wear a lap-shoulder belt, and the lap portion should be worn as low as possible, across the pelvis to prevent pressure on the abdomen.

The best way to protect the fetus is to protect the mother. When a safety belt is worn properly, it is more likely that the fetus will not be hurt in a crash. For pregnant women, as for anyone, the key to make safety belts effective is wearing them properly.

LAP BELT



This section is only for the lap belt. To learn how to wear a lap-shoulder belt, see "Lap-Shoulder Belt" on page **3-14**.

The vehicle may have a second and third row center seating position with a lap belt. The lap belt has no retractor.

To make the belt longer, tilt the latch plate and pull it along the belt. Buckle, position and release it the same way as the lap part of a lap-shoulder belt.



To make the belt shorter, pull its free end as shown until the belt is snug.

Make sure the release button on the buckle is positioned so you would be able to unbuckle the safety belt quickly if necessary.

If you find that the latch plate will not go fully into the buckle, see if you are using the correct buckle. Be sure that the latch plate clicks when inserted into the buckle.

To unlatch the belt, push the button on the buckle.

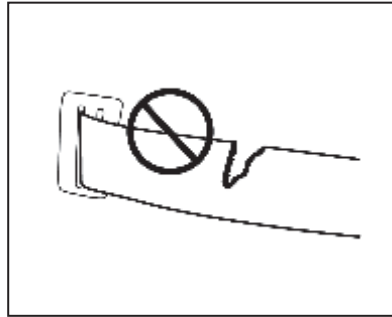
SAFETY SYSTEM CHECK

Now and then, check that the safety belt reminder light, safety belts, buckles, latch plates, retractors, and anchorages are all working properly. Look for any other loose or damaged safety belt system parts that might keep a safety belt system from doing its job. See your CHEVROLET retailer to have it repaired. Torn or frayed safety belts may not protect you in a crash. They can rip apart under impact forces. If a belt is torn or frayed, get a new one right away.

Make sure the driver safety belt reminder light is working. See "Driver Safety Belt Reminder Light" on page 5-21.

Keep safety belts clean and dry. See "Safety Belt Care" on page 3-17.

SAFETY BELT CARE



Keep belts clean and dry.

⚠ Warning

Do not bleach or dye safety belts. It may severely weaken them. In a crash, they might not be able to provide adequate protection. Clean safety belts only with mild soap and lukewarm water.

REPLACING SAFETY BELT SYSTEM PARTS AFTER A CRASH

⚠ Warning

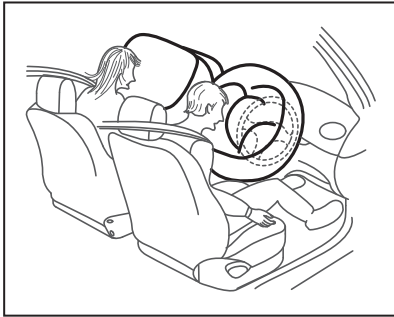
A crash can damage the safety belt system in the vehicle. A damaged safety belt system may not properly protect the person using it, resulting in serious injury or even death in a crash. To help make sure the safety belt systems are working properly after a crash, have them inspected and any necessary replacements made as soon as possible.

After a minor crash, replacement of safety belts may not be necessary. But the safety belt assemblies that were used during any crash may have been stressed or damaged. See your CHEVROLET retailer to have the safety belt assemblies inspected or replaced.

New parts and repairs may be necessary even if the safety belt system was not being used at the time of the crash.

AIRBAG SYSTEM*

FRONT AIRBAG SYSTEM



Depending upon the vehicle models your vehicle may be equipped with the following airbags :

- A Frontal airbag for the driver.
- A Frontal airbag for the outboard front passenger.

All of the airbags in the vehicle will have the word AIRBAG embossed in the trim or on an attached label near the deployment opening.

For frontal airbags, the word AIRBAG will appear on the middle part of the steering wheel for the driver and on the instrument panel for the outboard front passenger.

⚠ Warning

Be sure that cargo is not near an airbag. In a crash, an inflating airbag might force that object towards a person. This could cause severe injury or even death. Secure objects away from the area in which an airbag would inflate. For more information, see "Where Are the Airbags?" on page 3-20.

Airbags are designed to supplement the protection provided by safety belts. Even though today's airbags are also designed to help reduce the risk of injury from the force of an inflating bag, all airbags must inflate very quickly to do their job.

Here are the most important things to know about the airbag system:

⚠ Warning

You can be severely injured or killed in a crash if you are not wearing your safety belt, even with airbags. Airbags are designed to work with safety belts, not replace them. Also, airbags are not designed to inflate in every crash. In some crashes safety belts are the only restraint. See "When Should an Airbag Inflate?" on page 3-21.

Wearing your safety belt during a crash helps reduce the chance of hitting things inside the vehicle or being ejected from it. Airbags are "supplemental restraints" to the safety belts. Everyone in the vehicle should wear a safety belt properly, whether or not there is an airbag for that person.

⚠ Warning

Because airbags inflate with great force and faster than the blink of an eye, anyone who is up against, or very close to any airbag when it inflates can be seriously injured or killed. Do not sit unnecessarily close to any airbag, as you would be if sitting on the edge of the seat or leaning forward. Safety belts help keep you in position before and during a crash. Always wear a safety belt, even with airbags. The driver should sit as far back as possible while still maintaining control of the vehicle.

⚠ Warning

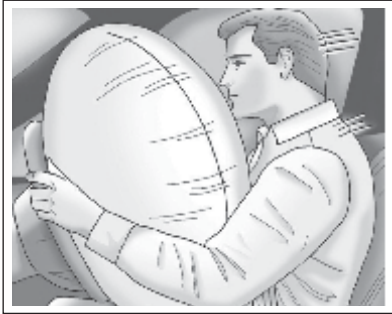
Children who are up against, or very close to, any airbag when it inflates can be seriously injured or killed. Airbags plus lap-shoulder belts offer protection for adults and older children, but not for young children and infants. Neither the vehicle's safety belt system nor its airbag system is designed for them. Young children and infants need the protection that a child restraint system can provide. Always secure children properly in the vehicle. To read how, see "Older Children" on page 3-25 or "Infants and Young Children" on page 3-27.



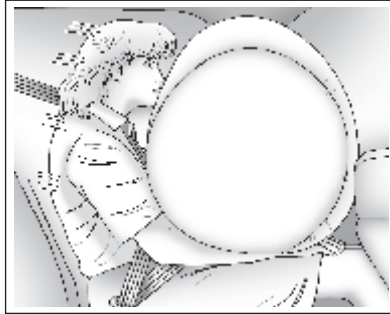
There is an airbag warning light on the instrument panel cluster, which shows the airbag symbol.

The system checks the airbag electrical system for malfunctions. The light tells you if there is an electrical problem. See "Airbag Warning Light" on page 5-21 for more information.

WHERE ARE THE AIRBAGS?



The driver frontal airbag is in the middle of the steering wheel.



The outboard front passenger frontal airbag is in the instrument panel on the passenger side.

Warning

If something is between an occupant and an airbag, the airbag might not inflate properly or it might force the object into that person causing severe injury or even death. The path of an inflating airbag must be kept clear. Do not put anything between an occupant and an airbag, and do not attach or put anything on the steering wheel hub or on or near any other airbag covering.

WHEN SHOULD AN AIRBAG INFLATE?

Frontal airbags are designed to inflate in moderate to severe frontal or near-frontal crashes to help reduce the potential for severe injuries mainly to the driver's or outboard front passenger's head and chest. However, they are only designed to inflate if the impact exceeds a predetermined deployment threshold. Deployment thresholds are used to predict how severe a crash is likely to be in time for the airbags to inflate and help restrain the occupants.

Whether the frontal airbags will or should deploy is not based on how fast your vehicle is traveling. It depends largely on what you hit, the direction of the impact, and how quickly your vehicle slows down.

Frontal airbags may inflate at different crash speeds. For example:

- If the vehicle hits a stationary object, the airbags could inflate at a different crash speed than if the vehicle hits a moving object.

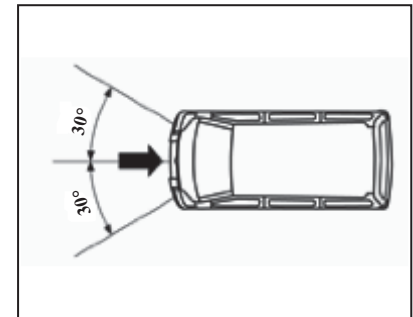
- If the vehicle hits an object that deforms, the airbags could inflate at a different crash speed than if the vehicle hits an object that does not deform.
- If the vehicle hits a narrow object (like a pole), the airbags could inflate at a different crash speed than if the vehicle hits a wide object (like a wall).
- If the vehicle goes into an object at an angle, the airbags could inflate at a different crash speed than if the vehicle goes straight into the object.

Thresholds can also vary with specific vehicle design.

Frontal airbags are not intended to inflate during vehicle rollovers, rear impacts, or in many side impacts.

Always wear your safety belt, even with frontal airbags.

In any particular crash, no one can say whether an airbag should have inflated simply because of the damage to a vehicle or because of what the repair costs were. For frontal airbags, inflation is determined by what the vehicle hits, the angle of the impact, and how quickly the vehicle slows down.



WHAT MAKES AN AIRBAG INFLATE?

In a deployment event, the sensing system sends an electrical signal triggering a release of gas from the inflator. Gas from the inflator fills the airbag causing the bag to break out of the cover and deploy. The inflator, the airbag, and related hardware are all part of the airbag module. Frontal airbag modules are located inside the steering wheel and instrument panel.

HOW DOES AN AIRBAG RESTRAIN?

In moderate to severe frontal or near frontal collisions, even belted occupants can contact the steering wheel or the instrument panel. In moderate to severe side collisions, even belted occupants can contact the inside of the vehicle.

Airbags supplement the protection provided by safety belts. Frontal airbags distribute the force of the impact more evenly over the occupant's upper body, stopping the occupant more gradually.

But airbags would not help in many types of collisions, primarily because the occupant's motion is not towards those airbags. See "When Should an Airbag Inflate?" on page 3-21 for more information.

Airbags should never be regarded as anything more than a supplement to safety belts.

WHAT WILL YOU SEE AFTER AN AIRBAG INFLATES?

After the frontal airbags inflate, they quickly deflate, so quickly that some people may not even realize an airbag inflated. Some components of the airbag module may be hot for several minutes. For location of the airbags, see "Where Are the Airbags?" on page 3-20.

The parts of the airbag that come into contact with you may be warm, but not too hot to touch. There may be some smoke and dust coming from the vents in the deflated airbags. Airbag inflation does not prevent the driver from seeing out of the windshield or being able to steer the vehicle, nor does it prevent people from leaving the vehicle.

⚠ Warning

When an airbag inflates, there may be dust in the air. This dust could cause breathing problems for people with a history of asthma or other breathing trouble. To avoid this, everyone in the vehicle should get out as soon as it is safe to do so. If you have breathing problems but cannot get out of the vehicle after an airbag inflates, then get fresh air by opening a window or a door. If you experience breathing problems following an airbag deployment, you should seek medical attention.

⚠ Warning

A crash severe enough to inflate the airbags may have also damaged important functions in the vehicle, such as the fuel system, brake and steering systems, etc. Even if the vehicle appears to be drivable after a moderate crash, there may be concealed damage that could make it difficult to safely operate the vehicle.

Use caution if you should attempt to restart the engine after a crash has occurred.

In many crashes severe enough to inflate the airbag, windshields are broken by vehicle deformation. Additional windshield breakage may also occur from the front outboard passenger airbag.

- Airbags are designed to inflate only once. After an airbag inflates, you will need some new parts for the airbag system. If you do not get them, the airbag system will not be there to help protect you in another crash. A new system will include airbag modules and possibly other parts.
- Let only qualified technicians work on the airbag systems. Improper service can mean that an airbag system will not work properly. See your CHEVROLET retailer for service.

SERVICING THE AIRBAG -EQUIPPED VEHICLE

Airbags affect how the vehicle should be serviced. There are parts of the airbag system in several places around the vehicle. Your CHEVROLET retailer and the Service Manual have information about servicing the vehicle and the airbag system.

Warning

For up to 10 seconds after the vehicle is turned off and the battery is disconnected, an airbag can still inflate during improper service. You can be injured if you are close to an airbag when it inflates. Avoid yellow connectors. They are probably part of the airbag system. Be sure to follow proper service procedures, and make sure the person performing work for you is qualified to do so.

AIRBAG SYSTEM CHECK

The airbag system does not need regularly scheduled maintenance or replacement. Make sure the airbag warning light is working. See "Airbag Warning Light" on page 5-21.

Caution

If an airbag covering is damaged, opened, or broken, the airbag may not work properly. Do not open or break the airbag coverings. If there are any opened or broken airbag covers, have the airbag covering and/or airbag module replaced. For the location of the airbags, see "Where Are the Airbags?" on page 3-20. See your CHEVROLET retailer for service.

REPLACING AIRBAG SYSTEM PARTS AFTER A CRASH

Warning

A crash can damage the airbag systems in the vehicle. A damaged airbag system may not work properly and may not protect you and your passenger(s) in a crash, resulting in serious injury or even death. To help make sure the airbag systems are working properly after a crash, have them inspected and any necessary replacements made as soon as possible.

If an airbag inflates, you will need to replace airbag system parts. See your CHEVROLET retailer for service.

If the airbag warning light stays on after the vehicle is started or comes on when you are driving, the airbag system may not work properly. Have the vehicle serviced right away. See "Airbag Warning Light" on page 5-21.

CHILD RESTRAINTS*

OLDER CHILDREN



Older children who have outgrown booster seats should wear the vehicle's safety belts.

The manufacturer's instructions that come with the booster seat, state the weight and height limitations for that booster. Use a booster seat with a lap-shoulder belt until the child passes the below fit test:

- Sit all the way back on the seat. Do the knees bend at the seat edge? If yes, continue. If no, return to the booster seat.
- Buckle the lap-shoulder belt. Does the shoulder belt rest on the shoulder? If yes, continue. If no, then return to the booster seat.
- Does the lap belt fit low and snug on the hips, touching the thighs? If yes, continue. If no, return to the booster seat.
- Can proper safety belt fit be maintained for the length of the trip? If yes, continue. If no, return to the booster seat.

Q: What is the proper way to wear safety belts?

A: An older child should wear a lap-shoulder belt and get the additional restraint a shoulder belt can provide. The shoulder belt should not cross the face or neck. The lap belt should fit snugly below the hips, just touching the top of the thighs. This applies belt force to the child's pelvic bones in a crash. It should never be worn over the abdomen, which could cause severe or even fatal internal injuries in a crash.

According to accident statistics, children and infants are safer when properly restrained in a child restraint system or infant restraint system secured in a rear seating position.

In a crash, children who are not buckled up can strike other people who are buckled up, or can be thrown out of the vehicle. Older children need to use safety belts properly.



⚠ Warning

Never allow more than one child to wear the same safety belt. The safety belt cannot properly spread the impact forces. In a crash, they can be crushed together and seriously injured. A safety belt must be used by only one person at a time.

⚠ Warning

Never allow a child to wear the safety belt with the shoulder belt behind their back. A child can be seriously injured by not wearing the lap-shoulder belt properly. In a crash, the child would not be restrained by the shoulder belt. The child could move too far forward increasing the chance of head and neck injury. The child might also slide under the lap belt. The belt force would then be applied right on the abdomen. That could cause serious or fatal injuries. The shoulder belt should go over the shoulder and across the chest.



INFANTS AND YOUNG CHILDREN

Everyone in a vehicle needs protection! This includes infants and all other children. Neither the distance traveled nor the age and size of the traveler changes the need, for everyone, to use safety restraints.

⚠ Warning

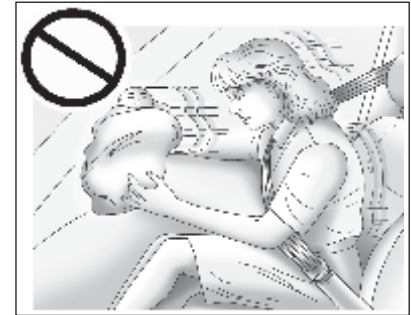
Children can be seriously injured or strangled if a shoulder belt is wrapped around their neck and the safety belt continues to tighten. Never leave children unattended in a vehicle and never allow children to play with the safety belts.

Airbags plus lap-shoulder belts offer protection for adults and older children, but not for young children and infants. Neither the vehicle's safety belt system nor its airbag system is designed for them. Every time infants and young children ride in vehicles, they should have the protection provided by appropriate child restraints.

Children who are not restrained properly can strike other people, or can be thrown out of the vehicle.

⚠ Warning

Never hold an infant or a child while riding in a vehicle. Due to crash forces, an infant or a child will become so heavy it is not possible to hold it during a crash. For example, in a crash at only 40 km/h (25 mph), a 5.5 kg (12 lb) infant will suddenly become a 110 kg (240 lb) force on a person's arms. An infant should be secured in an appropriate restraint.



⚠ Warning

Children who are up against, or very close to, any airbag when it inflates can be seriously injured or killed. Never put a rear-facing child restraint in the front passenger seat. Secure a rear-facing child restraint in a 3rd Row seat Right side only. It is also better to secure a forward-facing child restraint in a 3rd Row seat Right side only.

⚠ Warning

A young child's hip bones are still so small that the vehicle's regular safety belt may not remain low on the hip bones, as it should. Instead, it may settle up around the child's abdomen. In a crash, the belt would apply force on a body area that is unprotected by any bony structure. This alone could cause serious or fatal injuries. To reduce the risk of serious or fatal injuries during a crash, young children should always be secured in appropriate child restraints.



Q: What are the different types of add-on child restraints?

A: Add-on child restraints, which are purchased by the vehicle's owner, are available in four basic types. Selection of a particular restraint should take into consideration not only the child's weight, height, and age but also whether or not the restraint will be compatible with the motor vehicle in which it will be used.

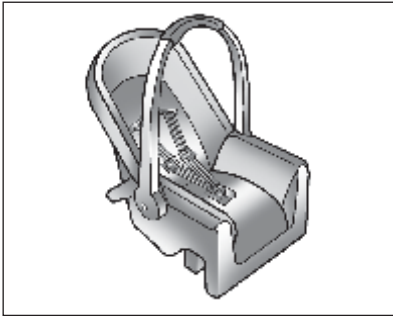
For most basic types of child restraints, there are many different models available. When purchasing a child restraint, be sure it is designed to be used in a motor vehicle.

The restraint manufacturer's instructions that come with the restraint state the weight and height limitations for a particular child restraint. In addition, there are many kinds of restraints available for children with special needs.

⚠ Warning

To reduce the risk of neck and head injury during a crash, infants need complete support. In a crash, if an infant is in a rear-facing child restraint, the crash forces can be distributed across the strongest part of an infant's body, the back and shoulders. Infants should always be secured in rear-facing child restraints.

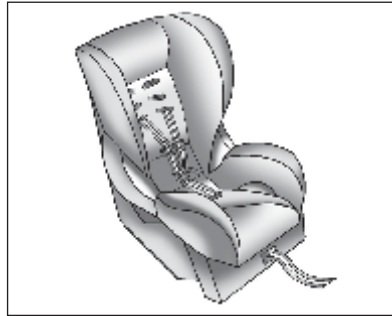
CHILD RESTRAINT SYSTEMS



(A) REAR-FACING INFANT SEAT

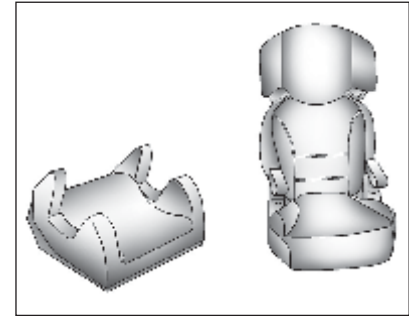
A rear-facing infant seat (A) provides restraint with the seating surface against the back of the infant.

The harness system holds the infant in place and, in a crash, acts to keep the infant positioned in the restraint.



(B) FORWARD-FACING CHILD SEAT

A forward-facing child seat (B) provides restraint for the child's body with the harness.



(C) BOOSTER SEATS

A booster seat (C) is a child restraint designed to improve the fit of the vehicle's safety belt system. A booster seat can also help a child to see out the window.

SECURING AN ADD-ON CHILD RESTRAINT IN THE VEHICLE

Caution

Child Safety restraints are available in a wide range of sizes and configurations. Due to the shape and dimensions of your vehicle's interior and seats, not all child safety restraints will fit in your vehicle.

It is your responsibility to ensure that the child safety restraints you install fit properly and can be adequately attached to the vehicle with the child safety restraint anchors. A child safety restraint that is not the correct size for the vehicle or the child, or a child safety restraint that is improperly attached to your vehicle can lead to serious personal injury to the child and other passengers in the vehicle in the event of a collision.

Warning

A child can be seriously injured or killed in a crash if the child restraint is not properly secured in the vehicle. Secure the child restraint properly in the vehicle using the vehicle safety belt or LATCH system, following the instructions that came with that child restraint.

To help reduce the chance of injury, the child restraint must be secured in the vehicle. Child restraint systems must be secured in vehicle seats by lap belt portion of a lap-shoulder belt. Children can be endangered in a crash if the child restraint is not properly secured in the vehicle.

When securing an add-on child restraint, refer to the instructions that come with the restraint which may be on the restraint itself or in a booklet, or

both. The child restraint instructions are important, so if they are not available, obtain a replacement copy from the manufacturer.

Keep in mind that an unsecured child restraint can move around in a collision or sudden stop and injure people in the vehicle. Be sure to properly secure any child restraint in the vehicle - even when no child is in it.

SECURING THE CHILD WITHIN THE CHILD RESTRAINT

Warning

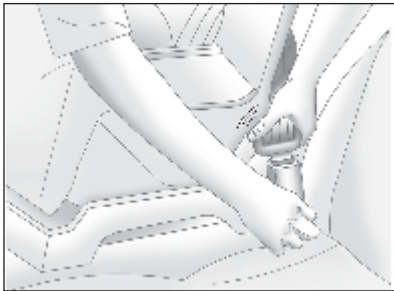
A child can be seriously injured or killed in a crash if the child is not properly secured in the child restraint. Secure the child properly following the instructions that came with that child restraint.

Securing a Child Restraint

This vehicle has the safety belt to secure the child restraint in 3rd Row Seat-Right side only. Be sure to follow the instructions that came with the child restraint. Secure the child in the child restraint when and as the instructions say.

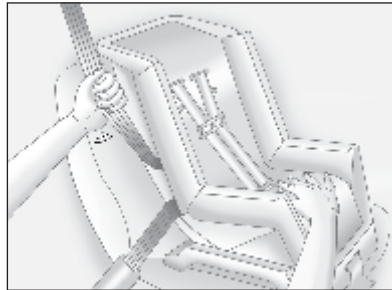
General Instructions

1. Put the child restraint on the seat.
2. Pick up the latch plate, and run the lap and shoulder portions of the vehicle's safety belt through or around the restraint. The child restraint instructions will show you how.



3. Push the latch plate into the buckle until it clicks.

Position the release button on the buckle so that the safety belt could be quickly unbuckled if necessary.



4. To tighten the belt, push down on the child restraint, pull the shoulder portion of the belt to tighten the lap portion of the belt and feed the shoulder belt back into the retractor.

If the child restraint system has a lock-off mechanism, use it to secure the vehicle safety belt.

5. If the child restraint has a top tether, follow the child restraint manufacturer's instructions regarding the use of the top tether.

To remove the child restraint, unbuckle the vehicle safety belt and let it return to the stowed position. If the top tether is attached to a top tether anchor, disconnect it.

WHERE TO PUT THE RESTRAINT

According to accident statistics, children and infants are safer when properly restrained in a child restraint system or infant restraint system secured in a rear seating position.

We recommend that children and child restraints be secured in a 3rd Row seat - Right side only, including: an infant or a child riding in a rear-facing child restraint; a child riding in a forward-facing child seat; an older child riding in a booster seat; and children, who are large enough, using safety belts.

Never put a rear-facing child seat in the front. This is because the risk to the rear-facing child is so great if the airbag deploys.

When securing a child restraint in a rear seating position, study the instructions that came with the child restraint to make sure it is compatible with this vehicle.

Warning

A child in a rear-facing child restraint can be seriously injured or killed if the passenger airbag inflates. This is because the back of the rear-facing child restraint would be very close to the inflating airbag. Secure rear-facing child restraints in a rear seat.

A child in a forward-facing child restraint can be seriously injured or killed if the outboard front passenger airbag inflates and the passenger seat is in a forward position. If you secure a forward-facing child restraint in the outboard front passenger seat, always move the passenger seat as far back as it will go. It is better to secure the child restraint in a rear seat.

Child restraints and booster seats vary considerably in size, and some may fit in certain seating positions better than others. Always make sure the child restraint is properly secured.

Depending on where you place the child restraint and the size of the child restraint, you may not be able to access adjacent safety belt assemblies or LATCH* anchors for additional passengers or child restraints. Adjacent seating positions should not be used if the child restraint prevents access to or interferes with the routing of the safety belt.

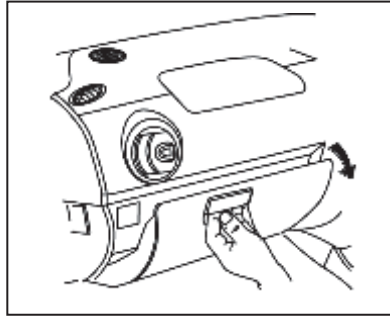
Wherever a child restraint is installed, be sure to secure the child restraint properly.

Keep in mind that an unsecured child restraint can move around in a collision or sudden stop and injure people in the vehicle. Be sure to properly secure any child restraint in the vehicle - even when no child is in it.

STORAGE

Storage Compartments	4-1
Glove Box	4-1
Instrument Panel Storage	4-2
Seatback Pockets	4-2
Cup Holders	4-2
Seatback Hooks	4-3
Roof Paneling	4-3
Assist Grip with Coat Hook	4-3
Information on Loading the Vehicle	4-4

STORAGE COMPARTMENTS GLOVE BOX



Open the glove box by pulling the bottom of the handle upward.
Close the glove box with a firm push.

⚠ Warning

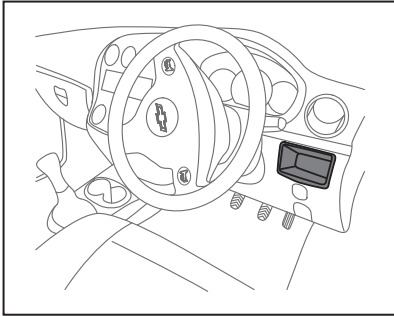
To reduce the risk of injury in an accident or a sudden stop, always keep the glove box door closed while driving.

⚠ Warning

The interior temperature could be very high in hot summer. Do not leave inflammable objects such as lighters or matches inside the vehicle to ensure the safety of people and vehicle.

4-2 Storage

INSTRUMENT PANEL STORAGE

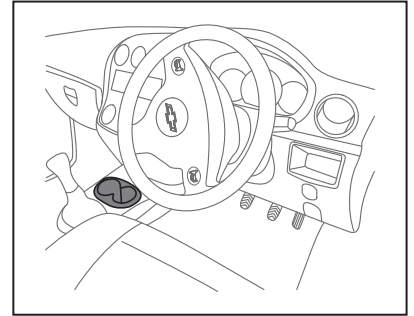


There is a small storage compartment located on the right side of the instrument panel, used for placing small articles.

SEATBACK POCKETS

The seatback pockets are located on the backrest of the two front seats and rear seats (captain seats).

CUP HOLDERS

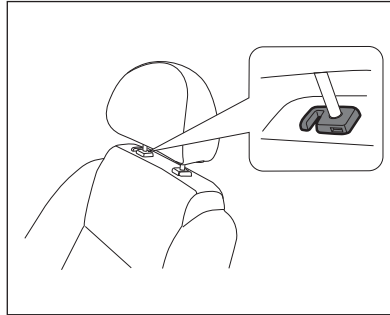


The cup holders are located in the front part of the center console.

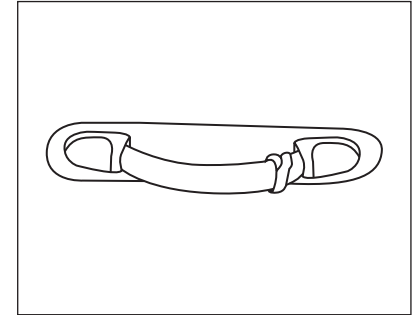
⚠ Warning

Do not place uncovered cups of hot liquid in the cup holder while the vehicle is in motion. If the hot liquid spills, you burn yourself. Such a burn to the driver could lead to loss of control of the vehicle.

To reduce the risk of personal injury in the event of sudden stop or collision, do not place uncovered or unsecured bottles, glasses, cans, etc., in the cup holder while the vehicle is in motion.

SEATBACK HOOKS

There is a hook at the joint of the backrest and head restraint for each seat. The hooks can be used to hold shopping bags or other objects as desired.

ROOF PANELING**ASSIST GRIP WITH COAT HOOK**

Your vehicle has assist grips above the front seat passenger door, rear doors and the tilt quarter windows. The grip above each rear door includes coat hook.

Passengers can use the grips for assistance in entering / exiting the vehicle, or for hand-holds during the vehicle in motion.

Caution

Hanging items on your vehicle's assist grips can obstruct the driver's view.

Do not hang anything on the assist grips, unless they are equipped with a coat hook.

Obstructing the driver's view can lead to an accident resulting in personal injuries and damage to your vehicle or other property.

INFORMATION ON LOADING THE VEHICLE

Warning

Do not place lighters, propane bottles or other flammable/explosive materials in the vehicle. These materials could catch fire and/or explode when exposed to high temperature for a long time.

- Heavy object in the tailgate should be placed against the seat backrest. Ensure the backrest are securely engaged. If objects can be stacked, the heavier object should be placed at the bottom.
 - Secure objects in tailgate to prevent sliding.
 - When transporting objects in the tailgate, the backrest of the rear seats must not be angled forward.
 - Do not allow the load to protrude above the upper edge of the backrest.
- The load must not obstruct the operation of the pedals, parking brake and gear selector, or hinder the freedom of movement of the driver. Do not place any unsecured objects in the interior.
 - Do not drive with an open tailgate.
 - Do not place any object on the tailgate cover or the instrument panel.
 - Driving with a roof load increases the sensitivity of the vehicle to crosswinds and has a detrimental effect on vehicle handling due to the vehicle's higher center of gravity. Distribute the load evenly and secure it properly with retaining straps. Adjust the tire pressure and vehicle speed according to the load conditions. Check and retighten the straps frequently. Do not exceed the maximum vehicle capacity when loading the vehicle.

INSTRUMENTS AND CONTROLS

Instrument Panel Overview 5-2

Controls 5-3

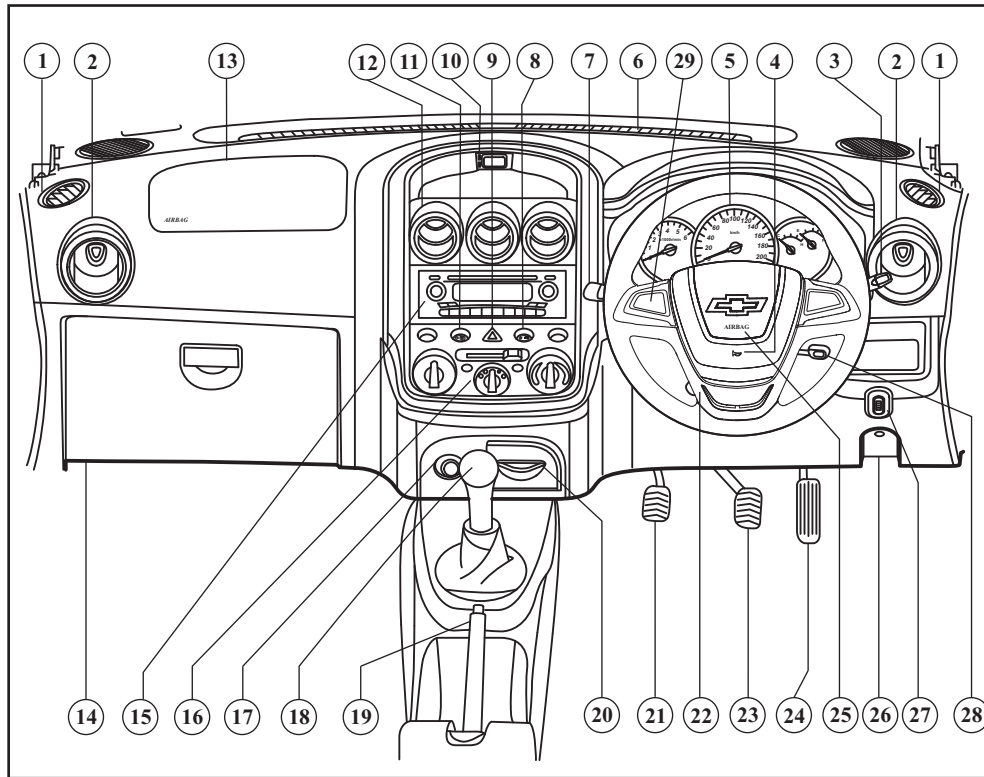
- Steering Wheel Adjustment* .. 5-3
- Horn 5-3
- Windshield Wiper and Washer 5-4
- Rear Windshield Wiper and Washer* 5-5
- Clock* 5-6
- Power Outlet* 5-7
- Cigarette Lighter* 5-8
- Ashtray* 5-9

Warning Lights, Gauges and Indicators 5-10

- Instrument Cluster 5-11
- Tachometer 5-12
- Speedometer 5-12
- Odometer 5-12
- Trip Odometer 5-13
- Fuel Gauge 5-13
- Engine Coolant Temperature Gauge 5-14
- Control Indicator Lights 5-14
- Low Fuel Warning Light 5-14

- Door Ajar Light 5-15
- Engine Coolant Temperature Warning Light 5-15
- Battery Charging System Light 5-16
- Brake System Warning Light 5-16
- Malfunction Indicator Light .. 5-18
- Front Fog Lamp Light* 5-19
- High-Beam On Light 5-19
- Turn Signal Lights 5-19
- Engine Oil Pressure Light 5-20
- Airbag Warning Light* 5-21
- Driver Safety Belt Reminder Light 5-21
- Antilock Brake System (ABS) Warning Light* 5-22

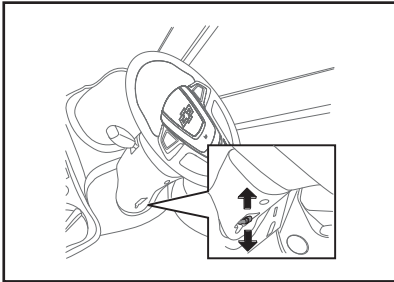
INSTRUMENT PANEL OVERVIEW



1. Front side window defroster vent
2. Side air vent
3. Headlight and turn signal switch
4. Horn
5. Instrument cluster
6. Windshield defroster vent
7. Wiper and washer switch
8. Air conditioning switch
9. Hazard warning flasher switch
10. Clock*
11. Rear window defogger switch*
12. Center air vent
13. Passenger frontal airbag*
14. Glove box
15. Audio system*
16. Air conditioning control panel
17. Cigarette lighter*
18. Gear shift lever
19. Parking brake lever
20. Ashtray*
21. Clutch pedal
22. Steering wheel adjustment lever*
23. Brake pedal
24. Accelerator pedal
25. Driver frontal airbag*
26. Hood release lever
27. Headlamp range adjustment switch
28. Ignition switch
29. Steering wheel audio controls*

CONTROLS

STEERING WHEEL ADJUSTMENT*

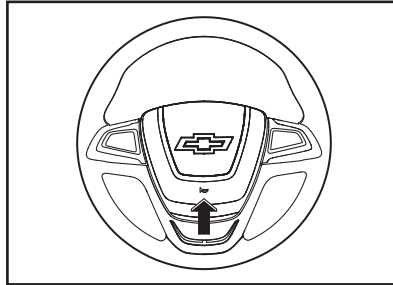



The adjustment lever is located underneath the steering wheel. To adjust the steering wheel position, hold the steering wheel and pull the lever down. Move the steering wheel up or down to the desired position, then pull the lever up to lock the steering wheel in place.

▲ Warning

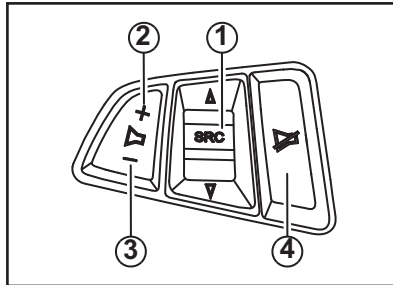
- Always adjust the steering wheel to a proper position before starting the vehicle.
- After adjusting, move the steering wheel up or down to ensure it has been locked to the position.
- Do not adjust the steering wheel while driving.

HORN



Press the  switch on the steering wheel pad to sound the horn.

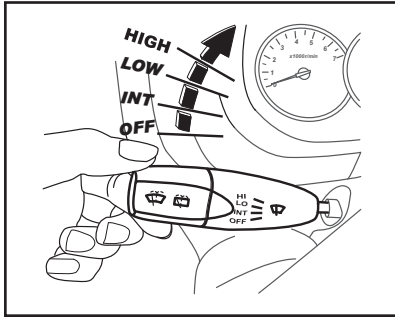
STEERING WHEEL AUDIO CONTROLS*



1. SRC (Source)
Press: Select audio source (FM/MW(AM)–CD-USB-AUX)
If radio active: Turn upwards/downwards
 - a. Short Press to seek automatically next/previous radio station
 - b. Long Press to seek manually next/previous radio station
 - c. If CD player active: Turn upwards/downwards
 - d. Short Press to select next/previous CD/MP3/WMA track
 - e. Long Press to fast forward/rewind double speed of currently playing track
2. Increase volume
3. Decrease volume
4. Activate / deactivate mute

* “Refer Audio Manual for the detailed functionality”.

WINDSHIELD WIPER AND WASHER



FRONT WINDSHIELD WIPER

The windshield wiper/washer lever is located on the left side of the steering column. The ignition must be turned to II/ON position to operate the windshield wipers.

Move the lever to one of the following positions:

- OFF** : System off
- INT** : Intermittent operation
- LO** : Continuous wipes, low speed
- HI** : Continuous wipes, high speed

Caution

Less than clear vision for the driver can lead to an accident resulting in personal injury and damage to your vehicle or other property.

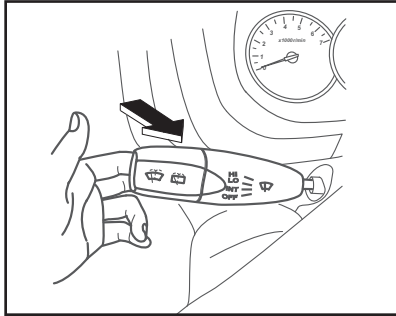
Do not operate the windshield wipers when the windshield is dry or obstructed, as with snow or ice. Using the wipers on an obstructed windshield can damage the wiper blades, wiper motor, and glass.

Check blades are not frozen to windshield before operating in cold weather. Wiper operation while blade is frozen can damage wiper motor.

MISTING FUNCTION

To operate the windshield wipers once in case of light rain or mist, lightly move the windshield wiper/washer lever towards the INT position and release it.

The lever will return automatically to its normal position when released. The wipers will operate through one cycle.



FRONT WINDSHIELD WASHER

The ignition must be turned to II/ON position and pull the windshield wiper/washer lever towards you to spray washer fluid on the windshield.

When the lever is pulled and held briefly, the washer fluid is sprayed onto the windshield. The wipers operate for three wipe cycles after the lever is released.

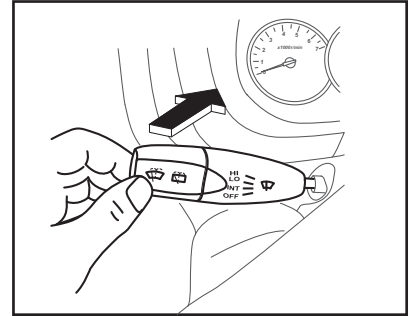
Warning

In freezing weather, do not use the washer until the windshield is warmed. Otherwise the washer fluid can form ice on the windshield, blocking your vision.

Caution

Do not operate the windshield washer continuously for more than 10 seconds, or when the washer fluid tank is empty. This can cause the washer motor to overheat resulting in costly repairs.

REAR WINDSHIELD WIPER AND WASHER*



The vehicle may have a rear windshield wiper/washer. The ignition must be in II/ON position to operate the rear windshield wiper and washer.

Push the lever to the first position towards the direction of the instrument panel, the rear wiper works continuously at low speed.

To spray washer fluid on the rear windshield, push and hold the lever to the second position.

Caution

Do not operate the windshield washer continuously for more than 10 seconds, or when the washer fluid tank is empty. This can cause the washer motor to overheat resulting in costly repairs.

Caution

Less than clear vision for the driver can lead to an accident resulting in personal injury and damage to your vehicle or other property.

Do not operate the rear windshield wiper when the rear windshield is dry or obstructed, as with snow or ice.

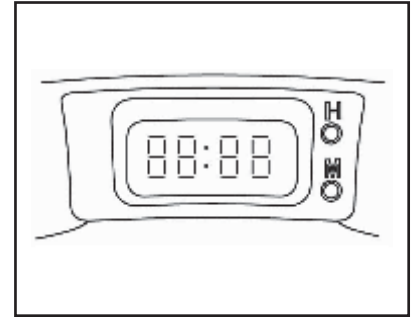
Using the wiper on an obstructed windshield can damage the wiper blade, wiper motor and glass.

Check blade is not frozen to windshield before operating in cold weather. Wiper operation while blade is frozen can damage wiper motor.

Do not spray washer fluid on the rear windshield in freezing weather.

Warm the rear windshield before you operate the rear windshield washer.

CLOCK*



When the ignition is in II/ON position, the digital clock displays the time. The digital clock has two adjusting buttons.

H: Hour button

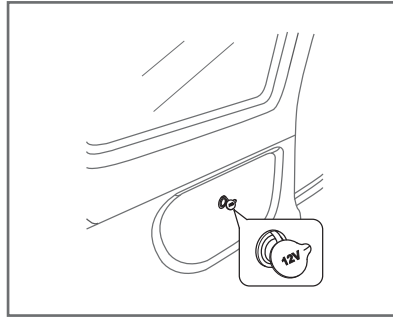
- To advance one hour, press the H button.
- To advance more than one hour, press and hold the H button until you reach the correct hour.

M: Minute button

- To advance one minute, press the M button.
- To advance more than one minute, press and hold the M button until you reach the correct minute.

Note

Remember to reset your vehicle's clock each time you disconnect and then reconnect the battery or replace a fuse.

POWER OUTLET*

The accessory power outlet can be used to plug in electrical equipment, such as cell phone or an MP3 player. The 12V power outlet is located on the left rear quarter panel of the interior compartment.

With ignition at B/OFF position, the power outlet is deactivated.

Remove the cover to access and refix when not in use.

Caution

Do not connect any current delivering accessories, e.g. electrical charging devices or batteries.

Do not damage the sockets by using unsuitable plugs.

Certain accessory power plugs may not be compatible with the accessory power outlet and could overload vehicle or adapter fuses. If a problem is experienced, see your CHEVROLET retailer.

When adding electrical equipment, be sure to follow the proper installation instructions included with the equipment.

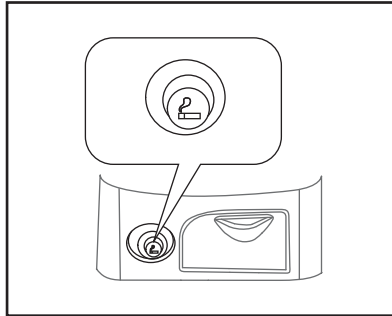
⚠ Warning

Power is always supplied to the outlets. Do not leave electrical equipment plugged in when the vehicle is not in use because the vehicle could catch fire and cause injury or death.

Caution

Always unplug electrical equipment when not in use and do not plug in equipment that exceeds the maximum ampere rating.

CIGARETTE LIGHTER*



The cigarette lighter is located below the air conditioning control panel.

To operate the cigarette lighter, turn the ignition switch to I/ACC or II/ON position and push the lighter in all the way.

The cigarette lighter will pop out automatically when it is ready to use.

Caution

Overheating the cigarette lighter can damage the heating element and the lighter itself.

Do not hold the lighter in while it is heating. This can cause the lighter to overheat.

Trying to operate malfunctioning cigarette lighter can be dangerous. If the heated cigarette lighter does not pop out, pull it out and consult a CHEVROLET retailer to have it repaired. It can cause injuries and damage to your vehicle.

⚠ Warning

If you leave the vehicle with an inflammable explosive substance, such as a disposable lighter, inside the car in summer, it can explode and cause fire due to an increase of temperature in the passenger compartment and the boot.

Please ensure that no inflammable explosive substances are left or kept inside the car.

Caution

The cigarette lighter socket should only be used with the cigarette lighter. If other 12V power adapters are installed into the cigarette socket, fuse failure or a potential thermal incident may occur.

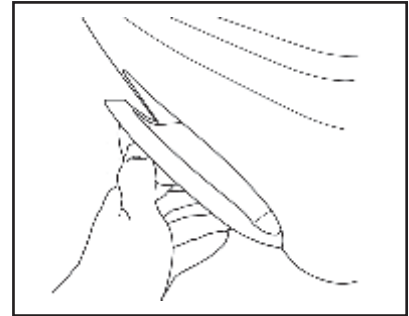
Caution

The barrel of an operating cigarette lighter can become very hot.

Do not touch the barrel of the cigarette lighter and do not allow children to operate or play with the cigarette lighter.

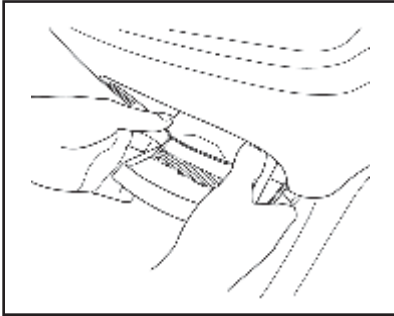
This hot metal can cause personal injuries and damage to your vehicle or other property.

ASHTRAY*



The ashtray is located below the air conditioning control panel.

To use the ashtray, open the ashtray outward. After usage, push it firmly inside.



To empty the ashtray for cleaning, open the ashtray first, then properly hold it upward and remove it out.

Reinstall the ashtray in the reverse sequence.

Caution

Cigarettes and other smoking materials could set them on fire.

Do not put paper or other flammable items in the ashtray.

An ashtray fire can lead to personal injury or damage to your vehicle or other property.

WARNING LIGHTS, GAUGES AND INDICATORS

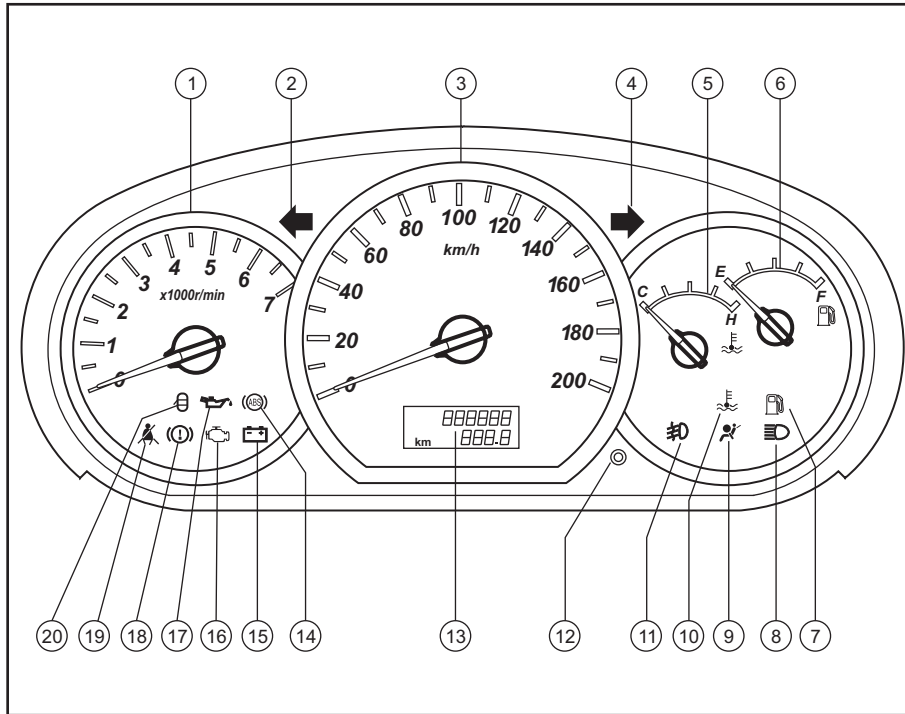
Warning lights and gauges can signal that something is wrong before it becomes serious enough to cause an expensive repair or replacement. Paying attention to the warning lights and gauges could prevent injury.

Warning lights come on when there could be a problem with a vehicle function. Some warning lights come on briefly when the engine is started to indicate they are working.

Gauges can indicate when there could be a problem with a vehicle function. Often gauges and warning lights work together to indicate a problem with the vehicle.

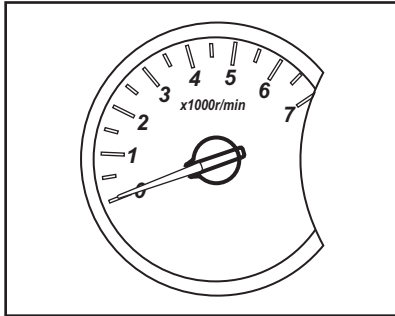
When one of the warning lights comes on and stays on while driving, or when one of the gauges shows there may be a problem, check the section that explains what to do. Follow this Manual's advice. Waiting to do repairs can be costly and even dangerous.

INSTRUMENT CLUSTER



1. Tachometer
2. Left turn signal light
3. Speedometer
4. Right turn signal light
5. Engine coolant temperature gauge
6. Fuel gauge
7. Low fuel warning light
8. High beam on light
9. Airbag warning light*
10. Engine coolant temperature warning light
11. Front fog lamp light*
12. Trip odometer button
13. Odometer/ Trip odometer
14. ABS (Antilock Brake System) warning light*
15. Battery charging system light
16. Malfunction indicator light
17. Engine oil pressure light
18. Brake system warning light
19. Driver safety belt reminder light
20. Door ajar light

TACHOMETER

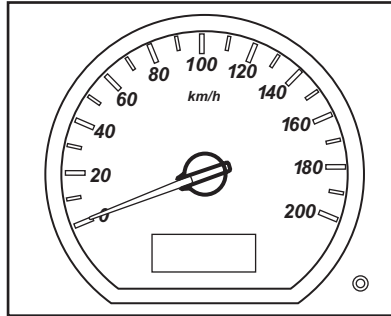


The tachometer displays the engine speed in revolutions per minute (rpm). Drive in a low engine speed range for each gear as much as possible.

Caution

If the needle is in the warning zone, the maximum permitted engine speed is exceeded. Engine is at risk.

SPEEDOMETER

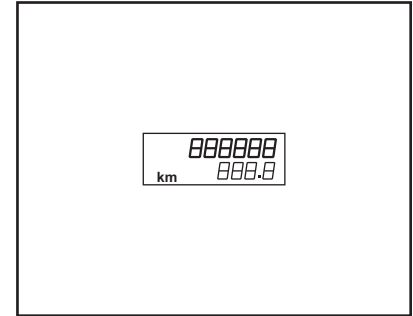


The speedometer shows the vehicle's speed in kilometers per hour (km/h).

Note

In a speed limit zone, please keep to the speed limit.

ODOMETER



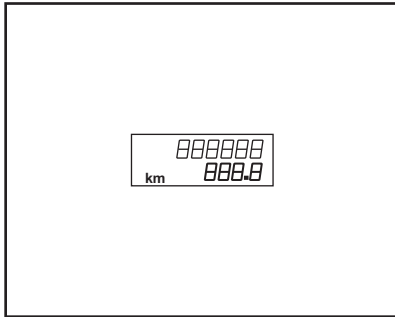
The odometer shows the distance in kilometers that the vehicle has been driven so far.

The topline of the LCD displays the odometer.

Caution

It is prohibited by law to operate the odometer illegally.

TRIP ODOMETER

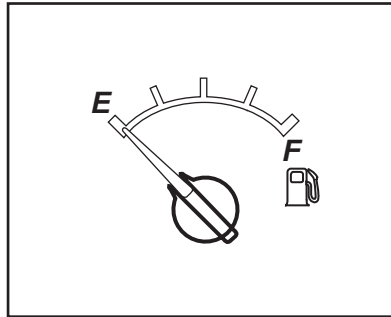


The trip odometer shows distance in kilometers that the vehicle has been driven since the last reset.

The bottom line of the LCD displays the trip odometer (max. value 999.9). When the recorded distance reaches 999.9, trip odometer automatically displays zero without resetting.

To reset the trip odometer to zero, press and hold the trip odometer button until it resets. The trip odometer button is located in the lower right area of the speedometer.

FUEL GAUGE



Displays the fuel level in the tank.

Never run the tank dry.

Because of the fuel remaining in the tank, the top-up quantity may be less than the specified tank capacity.

Movement of the fuel within the fuel tank causes the fuel gauge pointer to move when you brake, accelerate or turn.

“E” refers to “EMPTY”;

“F” refers to “FULL”.

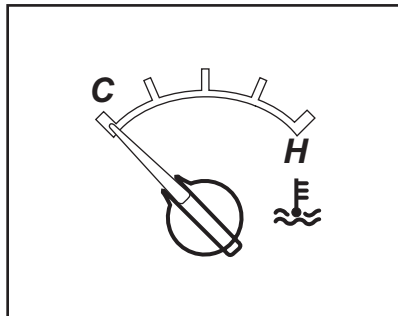
Here are three things that some owners ask about. All these things are normal and do not indicate that anything is wrong with the fuel gauge:

- At the fuel station, the pump shuts off before the gauge reads full.
- It takes more, or less, fuel to fill up than the gauge reads. For example, the gauge reads half full, but it took more, or less, than half of the tank's capacity to fill it.
- The gauge pointer may move while cornering, braking or accelerating.

Warning

Before refueling, stop vehicle and switch off the engine.

ENGINE COOLANT TEMPERATURE GAUGE



Displays the engine coolant temperature.

If the gauge pointer moves towards the H, the engine is too hot.

"C" refers to "COLD STATE";

"H" refers to "HOT STATE".

This reading indicates the same thing as the warning light. It means that the engine coolant has overheated. If the vehicle has been operating under normal driving conditions, pull off the road, stop the vehicle, and turn off the engine as soon as possible. See "Engine Overheating" on page **9-15**.

CONTROL INDICATOR LIGHTS

The control indicator lights described in this Manual may not appear on all models. This instruction applies to all instrument types. When the ignition switch is turned to II/ON position, as a function test, most of the control indicator lights will be illuminated for a short period.

The color of a control indicator light means:

Red = Danger, important reminder

Yellow = Warning, information, fault

Green = Activation confirmed

Blue = Activation confirmed

LOW FUEL WARNING LIGHT



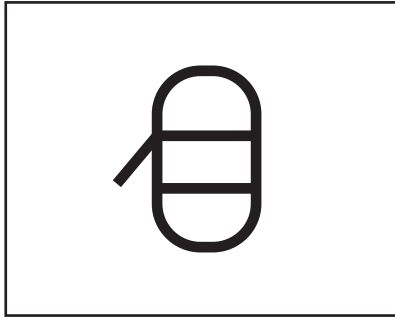
This light comes on when the fuel tank is low on fuel. When fuel is added, the light should go off. If it does not, have the vehicle serviced.

Caution

Do not let your vehicle run out of fuel. This can damage the catalytic converter.

When this warning light illuminates, please fill the fuel tank as soon as possible. See "Fuel" on page **8-24**.

DOOR AJAR LIGHT

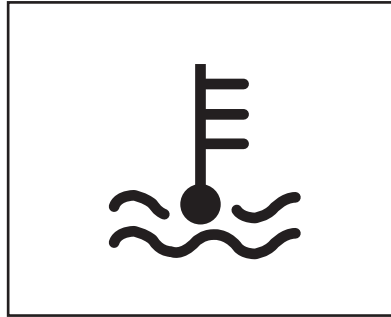


This light comes on when a door (except tailgate) is open or not securely latched. Before driving, check that all doors are properly closed.

⚠ Danger

Check if the door ajar light is on before driving, because an unlocked door during driving could be very dangerous.

ENGINE COOLANT TEMPERATURE WARNING LIGHT



The engine coolant temperature warning light comes on briefly when the ignition is turned to II/ON position. This shows that the system is doing a self-test and the indicator light bulb is working correctly. If the system is working normally the indicator light then goes off.

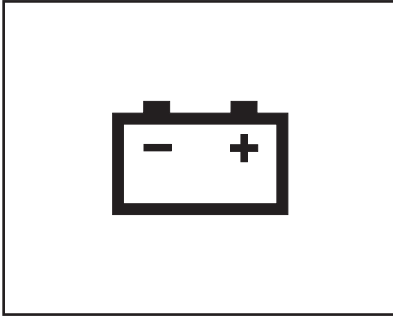
If it does not, have the vehicle serviced by your CHEVROLET retailer.

This light indicates that the engine coolant has overheated. If the light comes on and stays on while driving,

the vehicle may have a problem with cooling system. Stop the vehicle and turn off the engine to avoid damage to the engine.

See "Engine Overheating" on page 9-15 for more information.

BATTERY CHARGING SYSTEM LIGHT



The charging system light comes on briefly when the ignition is turned to II/ON position, but the engine is not running, as a check to show the light is working. The light turns off when the engine is started. If it does not, have the vehicle serviced by your CHEVROLET retailer. If the light stays on, or comes on while driving, there could be a problem with the electrical charging system. Have it checked by your CHEVROLET retailer. Driving while this light is on could drain the battery.

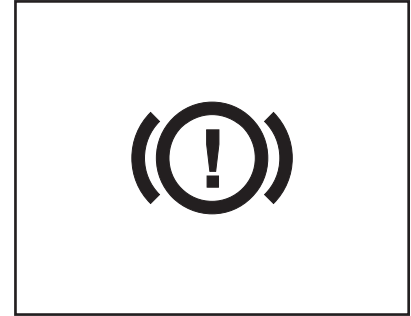
If a short distance must be driven with the light on, be sure to turn off all accessories, such as the radio and air conditioner.

If the battery charging system warning light illuminates while driving:

1. Carefully drive the vehicle away from the carriageway.
2. Stop the vehicle.
3. Make sure that the drive belt is not loose or broken.
4. If the drive belt works properly, but the battery charging system warning light still illuminates continuously, it indicates that the battery charging system may be faulty.

Please consult your CHEVROLET retailer as soon as possible for repair.

BRAKE SYSTEM WARNING LIGHT



When the ignition switch is turned to II/ON position, the brake system warning light comes on briefly and then goes off. This indicates that the indicator light works properly.

When the parking brake is engaged, the brake system warning light will be illuminated as well. When the parking brake is released, then the indicator light will go off. Make sure that the parking brake is fully released before you drive the vehicle away.

Caution

Do not drive the vehicle while the brake system warning light is still illuminated.

This phenomenon may indicate that your brakes are not working properly.

If you drive while the brake system has a fault, this may lead to collisions resulting in personal injury and damage to your vehicle or other property.

If the parking brake is fully released and the brake system warning light still illuminates, it indicates that the brake fluid level in its fluid reservoir is too low.

To rectify this, please perform the following steps:

1. Carefully drive the vehicle away from the carriageway and stop.

2. Check the brake fluid level.
3. Add the recommended brake fluid to the MAX (maximum) mark. See "Adding Brake Fluid" on page 9-17.
4. In the following cases, drive the car at a safe speed to your CHEVROLET retailer to have the brakes checked and determine whether:
 - The brakes work properly.
 - According to your own judgment, the vehicle's brakes are safe.
5. In the following cases, tow the car to your CHEVROLET retailer to have brakes checked and repaired:
 - Leak found in the brake system.
 - The brake system warning light illuminates continuously.
 - The brakes work abnormally.

Caution

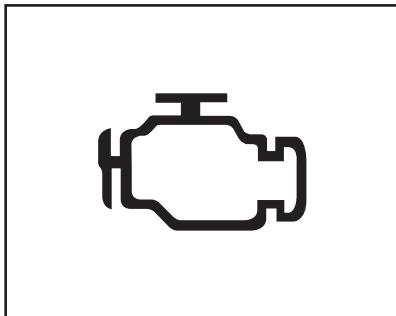
Do not drive the vehicle if the brake system warning light does not illuminate, when the parking brake is engaged and the ignition switch is turned to II/ON position.

Ensure that the warning light is working correctly. If the light does not illuminate when the parking brake is engaged and the ignition switch is turned to II/ON position, even if the warning light is working correctly, consult your CHEVROLET retailer to have the vehicle's brake system checked.

These situations indicate that your vehicle's brake system may have a fault.

If the vehicle's brakes are not kept in good working condition, this may lead to collisions resulting in personal injury and damage to your vehicle or other property.

MALFUNCTION INDICATOR LIGHT



After the ignition switch is turned to II/ON position and before the engine is started, the indicator light will illuminate.

This shows that the indicator light bulb is working correctly.

When the engine is started, this warning light will go off.

Caution

Malfunction indicator light indicates that your vehicle has some fault that requires your attention. Driving while the Malfunction Indicator Light is on may damage the emission control system, affecting fuel economy and the vehicle's driveability.

Consult your CHEVROLET retailer as soon as possible for repair.

If the emission-related components or relevant subsystems have a fault, the Malfunction Indicator Light (MIL) will illuminate.

As long as the electronic control module (ECM) detects a fault, the Malfunction Indicator Light will illuminate continuously.

A serious misfire may damage the catalytic converter.

The electronic systems on the vehicle will switch to an emergency operation

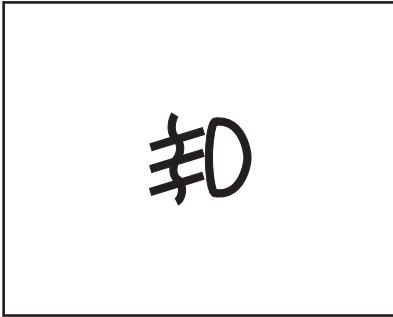
program so that you can continue to drive the vehicle.

However, at this time you should drive to your CHEVROLET retailer as soon as possible.

If the MIL illuminates for a while then extinguishes itself, it is normal. It does not mean that the system has a fault.

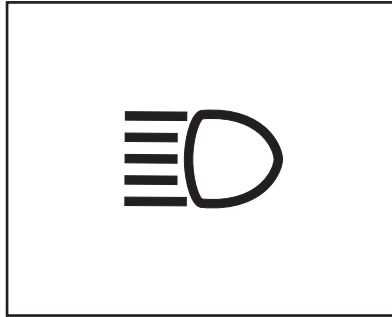
Caution

Modifications made to the engine, transmission, exhaust, intake, or fuel system of the vehicle or the replacement of the original tires with other than those of the same Tire Performance Criteria (TPC) can affect the vehicle's emission controls and can cause this light to come on. Modifications to these systems could lead to costly repairs not covered by the vehicle warranty. This could also result in a failure to pass a required Emission Inspection/Maintenance test.

FRONT FOG LAMP LIGHT*

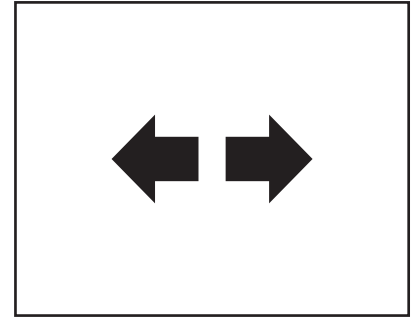
For vehicles with front fog lamps, this light comes on when the front fog lamps are in use.

The light goes out when the front fog lamps are turned off. See "Front Fog Lamps" on page 6-4 for more information.

HIGH-BEAM ON LIGHT

The high-beam on light comes on when the high-beam headlamps are in use and during headlamp flash.

See "Headlamp High/Low-Beam Changer" on page 6-2 for more information.

TURN SIGNAL LIGHTS

The control indicator flashes if a turn signal or the hazard warning flashers are activated.

See "Turn and Lane-Change Signal Lamps" on page 6-4 for more information.

Fast Flashing: Failure of a turn signal light or associated fuse.

Caution

These indicators are essential for safe driving.

If the bulb in the turn signal light or hazard warning flasher is blown, it must be replaced immediately.

If these indicators are not kept in good working condition, this may lead to accidents resulting in personal injury and damage to your vehicle or other property.

ENGINE OIL PRESSURE LIGHT



After the ignition switch is turned to II/ON position and before the engine is started, the warning light will illuminate. This shows that the indicator light bulb is working correctly.

When the engine is started, this warning light will go off.

If the engine oil pressure warning light illuminates while driving, it indicates that the engine oil pressure may have dropped to a dangerous level. Immediately stop the engine and check the oil level.

Caution

Lack of proper engine oil maintenance can damage the engine. Driving with the engine oil low can also damage the engine. The repairs would not be covered by the vehicle warranty. Check the oil level as soon as possible. Add oil if required, but if the oil level is within the operating range and the oil pressure is still low, have the vehicle serviced. Always follow the maintenance schedule for changing engine oil.

If the oil level is too low, add specified engine oil to a suitable level. See "Check the Engine Oil Level" on page 9-7 for more information.

If the level is OK, consult your CHEVROLET retailer to have the engine lubrication system checked.

AIRBAG WARNING LIGHT*

When the ignition switch is turned to II/ON position, the airbag warning light flashes several times and then goes off. This shows that the indicator light bulb and airbag systems are functioning properly.

Caution

If the airbag warning light flashes or stays on when driving, it indicates a fault in the airbag system. The airbag system will be disabled and cannot be triggered when an accident occurs. Consult your CHEVROLET retailer for necessary repair.

If an accident occurs with the vehicle which has a faulty airbag system, it may result in personal injury or even fatalities.

When the airbag system has a fault, the warning light will indicate this as follows:

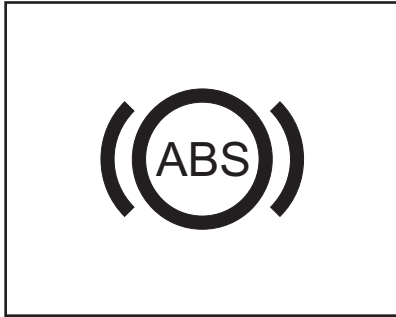
- The light does not illuminate when the ignition switch is turned to II/ON position.
- The light does not go off after illuminating briefly.
- The light flashes while driving.
- The light does not go off during driving.

DRIVER SAFETY BELT REMINDER LIGHT

When the ignition switch is turned to II/ON position, the safety belt reminder light will illuminate briefly. This shows that the indicator light bulb is working correctly.

The light stays on solid until the driver safety belt is buckled.

ANTILOCK BRAKE SYSTEM (ABS) WARNING LIGHT*



If the vehicle is equipped with ABS, when the ignition switch is turned to II/ON position, the ABS warning light will illuminate for a moment. This shows that the system is doing a self-test and the indicator light bulb is working correctly. This warning light should go off after a few seconds.

When the following situations occur with regard to the ABS warning light, please consult your CHEVROLET retailer.

- The light does not illuminate when the ignition switch is turned to II/ON position.
- The light does not go off.
- The light illuminates while driving.

Caution

When the ABS warning light illuminates, it indicates that your brakes may not work properly.

If the brakes are not kept in good working condition, this may lead to collisions resulting in personal injury and damage to your vehicle or other property.

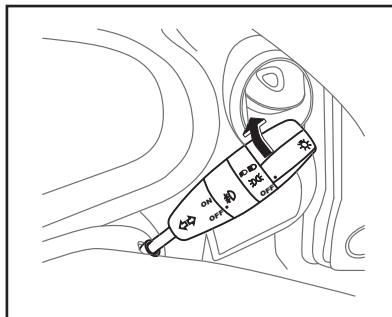
If the ABS warning light illuminates while driving, it indicates that your ABS system may be faulty. Although your vehicle may be driven normally without the ABS function, you should consult your CHEVROLET retailer as soon as possible for a necessary repair. See "Antilock Brake System" on page **8-19** for more information.

LIGHTING

Exterior Lighting	6-1
Headlamp Switch	6-1
Exterior Lamps Off Reminder	6-2
Headlamp High / Low-Beam Changer	6-2
Headlamp Flash	6-3
Headlamp Range Adjustment .	6-3
Front Fog Lamps*	6-4
Turn and Lane-Change Signal Lamps	6-4
Hazard Warning Flashers	6-4
Reverse Lamps	6-5
Interior Lighting	6-5
Front Reading Lamp	6-5
Rear Dome Lamp	6-5

EXTERIOR LIGHTING

HEADLAMP SWITCH




The turn signal / combination switch lever located on the right side of the steering column operates the exterior lamps.


To turn the headlamps, tail lamps and park lamps on or off, rotate the knob at the end of the combination switch lever.

The switch has three positions which activate various lamp functions as follows:

OFF : Turns all the lamps off.



 **(Parking Lamps)**: Turns on the parking lamps, together with the following:

- Tail Lamps
- License Plate Lamps
- Instrument Panel Lights
- Power Window Switch Panel Lights

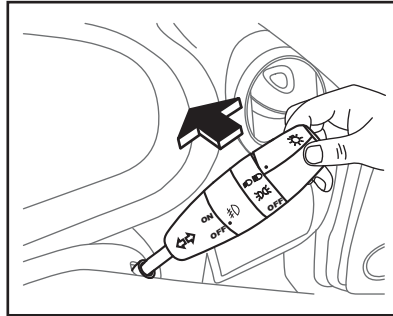
 **(Headlamps)**: Turns on the low-beam headlamps, together with the following:

- Tail Lamps
- License Plate Lamps
- Instrument Panel Lights
- Parking Lamps
- Power Window Switch Panel Lights



EXTERIOR LAMPS OFF REMINDER


A warning chime sounds, if the driver door is opened while the ignition switch is in B/OFF position and the headlamp switch is in the  or  position.

HEADLAMP HIGH / LOW-BEAM CHANGER



To turn on high-beam headlamps:

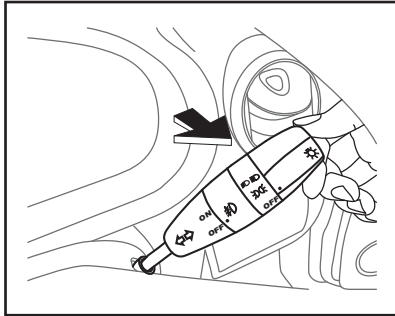
- Ensure that the headlamps are in low beam state  .
- Push the combination switch lever towards the dashboard.

When the headlamp high beam is turned on, the high beam indicator light  illuminates. To switch the headlamp from high beam to low beam, pull the combination switch lever back towards you to resume the normal position.

Warning

Always switch the high-beam headlamps to low-beam when you approach on coming vehicles or when other vehicles are ahead. High-beam headlamps can temporarily blind other drivers, which could result in a collision.

HEADLAMP FLASH

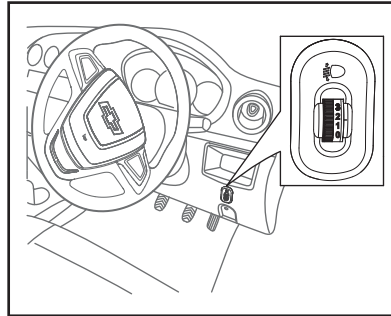


To make the high-beam headlamps flash, pull the combination switch lever towards you and release. When you release it, the lever will return to the normal position.

If you pull the combination switch lever towards you and hold, the high-beam headlamps will stay on.

Headlamp flash will work irrespective of light switch position.

HEADLAMP RANGE ADJUSTMENT



The headlamp range adjustment knob is located at the right of instrument panel. The low-beam headlamps must be on to adjust the headlamp range.

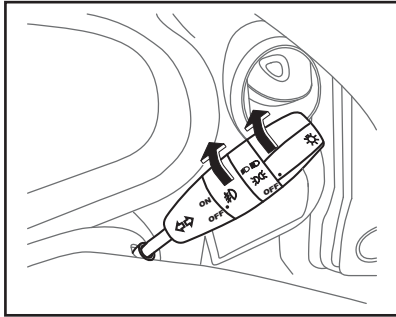
To adapt headlamp range to the vehicle load to prevent dazzling, turn the knob to required position :


- 0 = Driver's seat occupied.
- 1 = Front seats occupied.
- 2 = All seats occupied.
- 2 = All seats occupied and load in the luggage compartment.
- 3 = Driver's seat occupied and load in the luggage compartment.

MISTED LAMP COVERS

The inside of the light housing may mist up briefly in poor, wet and cold weather conditions, in heavy rain or after washing. The mist disappears quickly by itself; to help switch on the headlights.

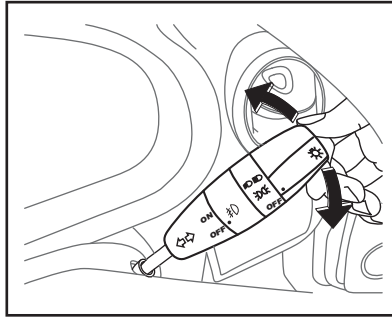
FRONT FOG LAMPS*



While the headlights are on parking lamp or low beam position, turn the ring in the middle of the combination switch lever to ON position to turn on the front fog lamps. Turn the ring to OFF position to turn off the front fog lamps. The front fog lamp indicator light  comes on in the instrument panel cluster when the fog lamps are switched on.

Under severe conditions (such as in a thick fog or snow), the fog lamps provide extra illumination to the sides of the road ahead and improve the visibility.

TURN AND LANE-CHANGE SIGNAL LAMPS



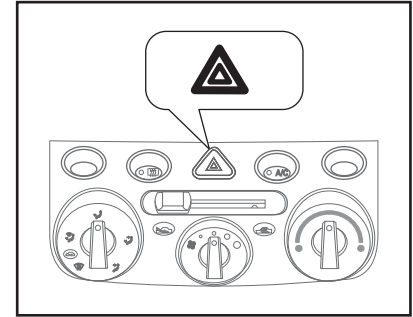
Lever up = Left indicator


Lever down = Right indicator

An arrow on the instrument panel cluster flashes in the direction of the turn or lane-change. After turning, the turn signals will automatically reset and the lever will return to the normal position.

When you change driving lane, move the lever half way to the change direction and hold. When you release it, the lever will return to the normal position.

HAZARD WARNING FLASHERS



Press the  switch to turn on or turn off the hazard warning flashers.

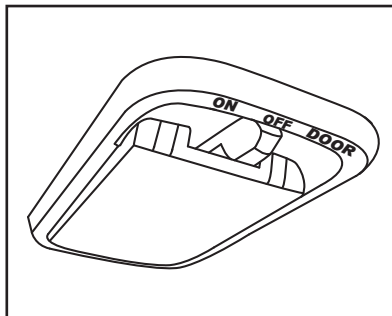
When the ignition switch is at B/OFF position, the hazard warning flashers may still be operative.

REVERSE LAMPS

The reverse lamps will illuminate when the ignition switch is at II/ON position and Reverse (R) gear is engaged.

INTERIOR LIGHTING

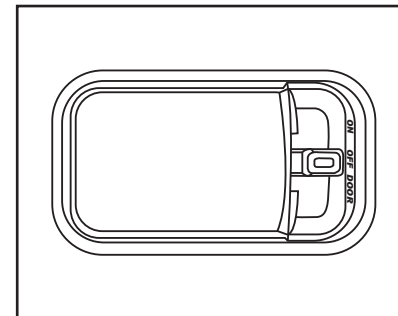
FRONT READING LAMP



Front reading lamp have three working positions:

- ON** : The lamp will be on no matter whether the door is opened or closed until you manually turn them off.
- OFF** : The lamp remains off no matter whether the door is opened or closed.
- DOOR** : The lamp illuminates when the door (except tailgate) is opened, and is extinguished when the door is closed.

REAR DOME LAMP



Rear dome lamp have three working positions:

- ON** : The lamp will be on no matter whether the door is opened or closed until you manually turn them off.
- OFF** : The lamp remains off no matter whether the door is opened or closed.
- DOOR** : The lamp illuminates when the door (except tailgate) is opened, and is extinguished when the door is closed.

6-6 Lighting

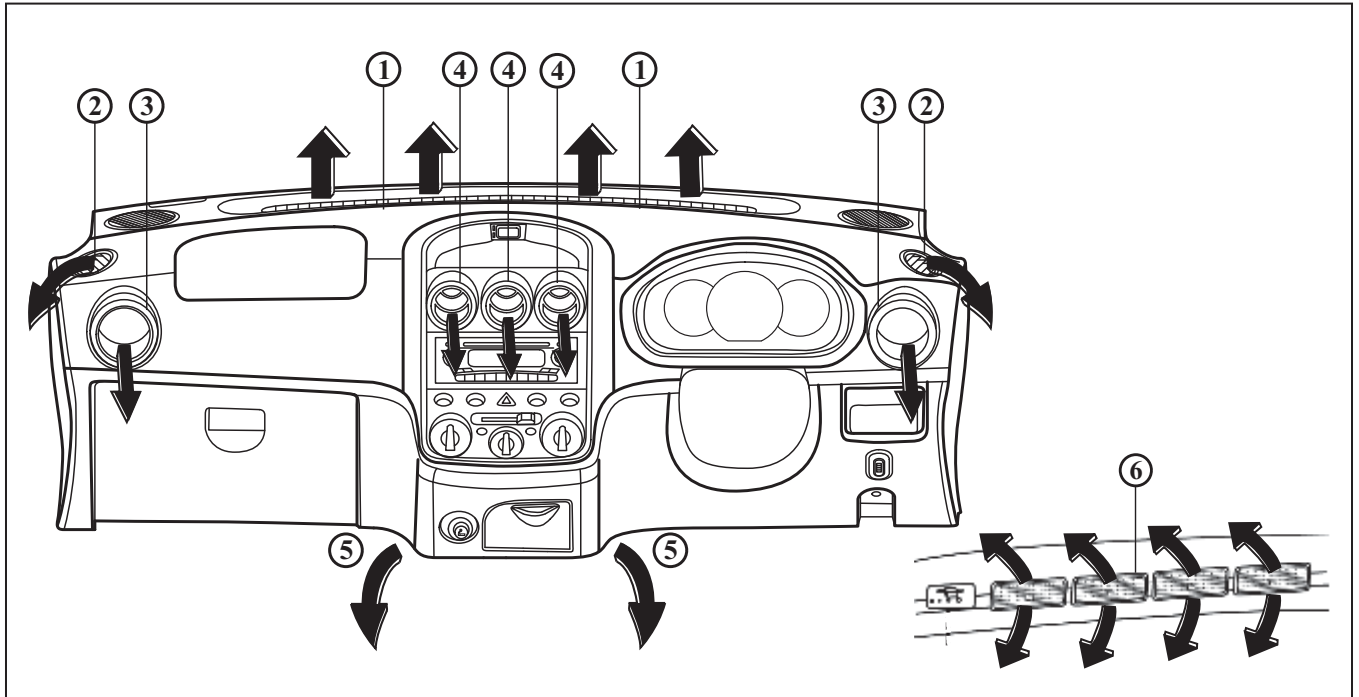
⚠ Warning

Avoid using the reading lamp or dome lamp while driving in the dark. A lit passenger compartment reduces visibility in the dark, and could cause a collision.

CLIMATE CONTROL SYSTEM

Air Vents	7-2
A/C Control Panel	7-4
Temperature Control Knob	7-5
Fan Control Knob (Front A/C)	7-5
Fan Control Knob (Rear A/C)	7-5
Air Distribution Mode Knob	7-6
Air Intake Control Lever	7-8
Air Conditioning System	7-8
Air Conditioning (A/C)	
Switch	7-9
Cooling	7-9
Heating	7-10
Ventilation	7-12
Defrosting	7-13
Rear Window Defogger*	7-13
Air Outlets	7-14
Maintenance	7-15
Air Intake	7-15
Air Conditioning Regular	
Operation	7-16

AIR VENTS



- 1. Front windshield defroster vent
- 2. Front side window defroster vents

- 3. Side vents
- 4. Center vents

- 5. Floor vents
- 6. Rear cooler vents

**FRONT WINDSHIELD
DEFROSTER VENT**

The Front windshield defroster vents direct airflow to the windshield.

**FRONT SIDE WINDOW
DEFROSTER VENTS**

The front side window defroster vents direct airflow to the side windows, especially to the area near the exterior rear view mirrors.

SIDE VENTS

You can direct airflow to the front passenger area or to the side windows through the two adjustable side vents.

CENTER VENTS

You can direct airflow to the front passenger area through the three adjustable center vents.

FLOOR VENTS

Floor vents direct airflow to the front footwell.

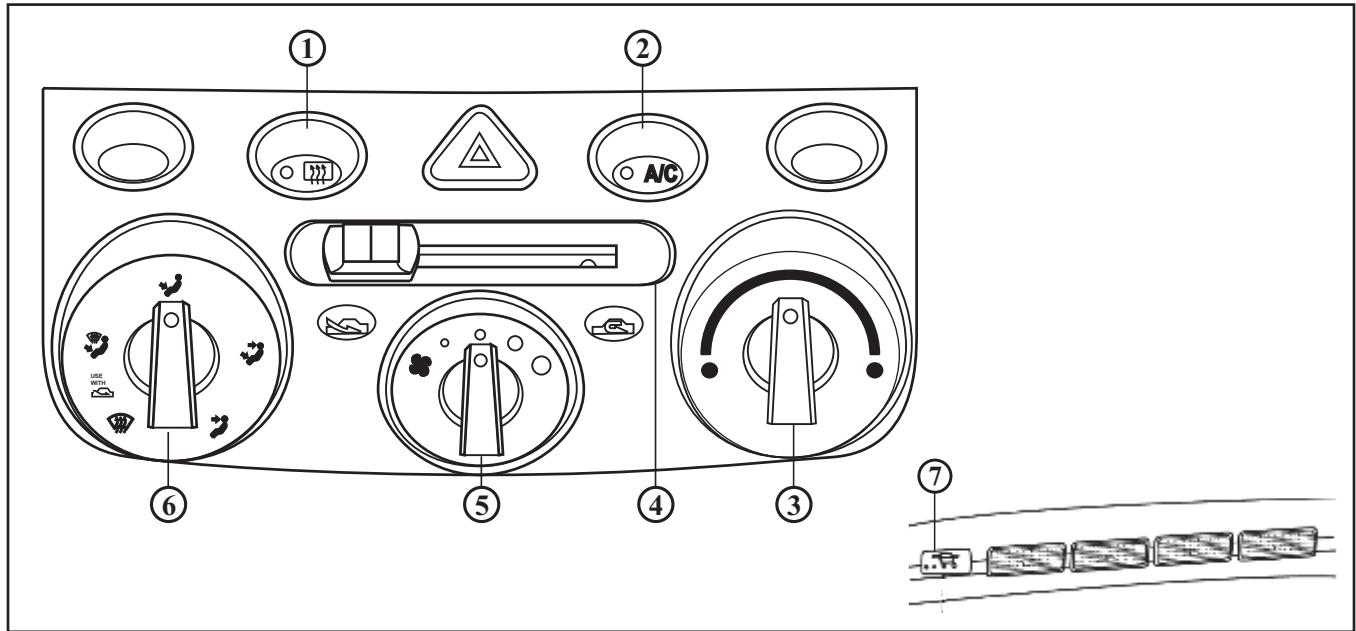
REAR COOLER VENTS

Rear cooler vents direct air flow to the rear passenger area through the adjustable vents at the ceiling.

▲ Warning

Do not attach any objects to the slats of the air vents. Risk of damage and injury in case of an accident.

A/C CONTROL PANEL



1. Rear window defogger switch*

2. Air conditioning (A/C) switch

3. Temperature control knob

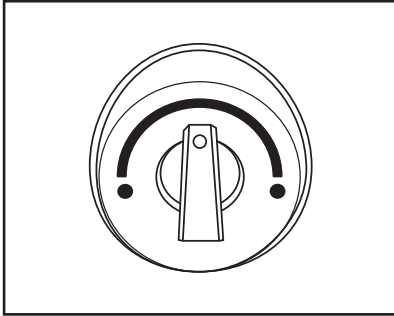
4. Air intake control lever

5. Fan control knob (Front A/C)

6. Air distribution mode knob

7. Fan control knob (Rear A/C)

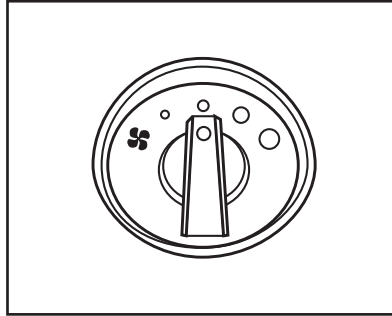
TEMPERATURE CONTROL KNOB



The temperature control knob controls the temperature of the air that comes through the air vents.

Turn the knob to the blue area to get cool air and to the red area to get warm air.

FAN CONTROL KNOB (FRONT A/C)

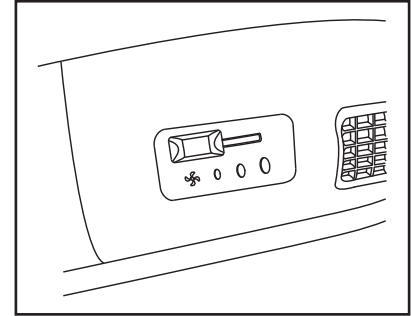


The fan control knob (Front A/C) controls the amount of airflow that comes out through the dashboard air vents.

Turn the knob clockwise to increase the fan speed and counterclockwise to decrease the fan speed.

You can set the fan speed control knob between 1 to 4, as desired.

FAN CONTROL KNOB (REAR A/C)

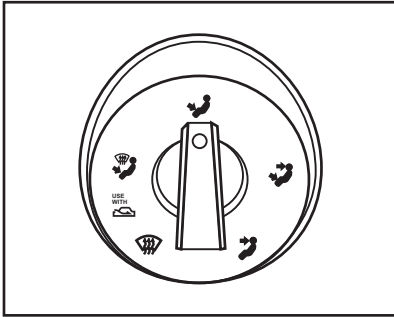


The fan control knob (Rear A/C) controls the amount of airflow that comes out through the Rear cooler air vents.

Move the sliding knob to right to increase the fan speed and left to decrease fan speed.

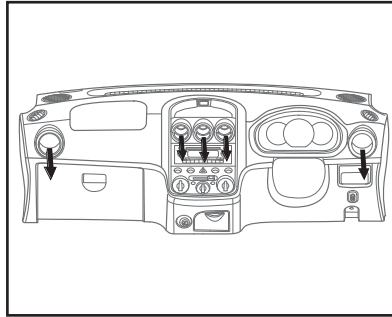
You can set the fan speed control knob between 1 to 3, as desired.

AIR DISTRIBUTION MODE KNOB



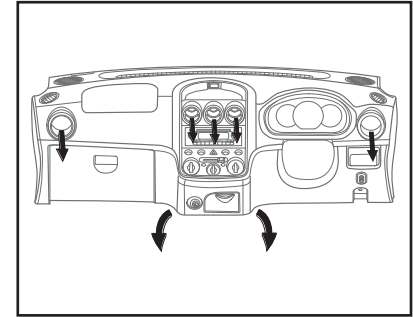
Turn the knob to the desired mode according to the desired air flow direction.

The air distribution mode knob can be set to one of the five positions as follows :



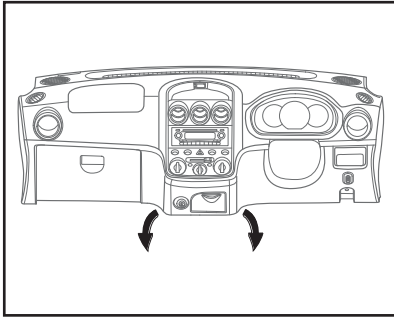
FRONT (ڤرڤ)

This mode directs airflow through the center vents and side vents. The air is blown to the face of the passenger.



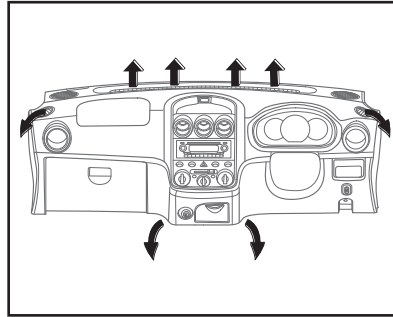
BI-LEVEL (ڤرڤ و ڤرڤ)

Directs air flow in two ways. Half of the air through the floor vents and the remaining through the center and side vents. The air is blown to the face and feet of the passenger.



FLOOR (🌀)

Directs most of the air through the floor vents. Keep the area under the front seats clear in order not to block the air-flow. The air is blown to the feet of the passenger.

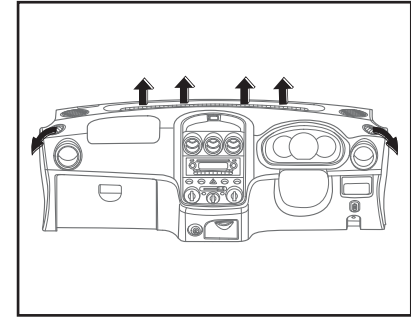


FLOOR/DEFROST (🌀👑)

This mode directs air through front windshield defroster vent, front side window defroster vents and the floor vents.

The air is blown to the front windshield, front side window glass and feet of the passenger.

When the knob is turned to this mode, and the air intake control lever is adjusted to fresh air mode (🌬️), the defrosting and demisting effect can be improved.



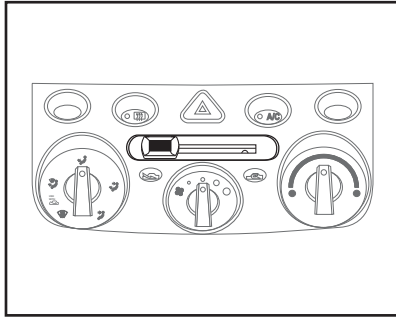
DEFROST (👑)

Directs air through the front windshield defroster vent and front side window defroster vents.

The air is blown to the front windshield and front side window glass.

When the knob is turned to this mode, and the air intake control lever is adjusted to fresh air mode (🌬️), the defrosting and demisting effect can be improved.

AIR INTAKE CONTROL LEVER



The intake of outside air and the circulation of inside air is controlled by sliding this lever left or right.

FRESH AIR MODE

In this mode, the intake opens, and the outside air enters in the vehicle.

This mode is useful for the normal ventilation, heating or cooling state.

RECIRCULATION MODE

In this mode, the intake closes, and the inside air recirculates in the vehicle.

This mode is useful for dusty or smoky environment and in need of quick cooling or heating.

Warning

Driving with recirculation mode for prolonged period of time can make you sleepy. Periodically turn to the fresh air mode for fresh outside air.

The exchange of fresh air is reduced in air recirculation mode. In operation without cooling, the air humidity increases, so the windows may mist up. The quality of the passenger compartment air deteriorates, which may cause the vehicle occupants to feel drowsy.

AIR CONDITIONING SYSTEM

The refrigeration unit of the air conditioning (A/C) system cools and removes moisture from the air inside your vehicle.

Even with the A/C on, your vehicle will produce warm air if you set the temperature control knob to warm.

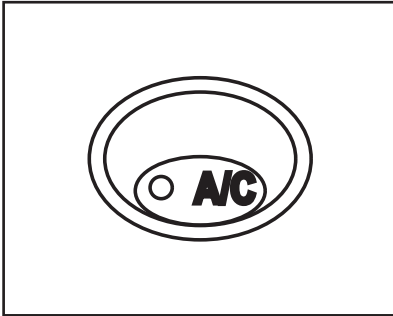
Note

You may notice water drip under engine room sometimes after driving with A/C on. This is normal because your cooling system removes the moisture from the air.

Note

Because the compressor of the cooling system shares the engine power, You may notice slight change in engine power and performance when the compressor operates.

AIR CONDITIONING (A/C) SWITCH



Caution

Using your air conditioning system while driving up long hills or in heavy traffic can cause the engine to overheat.

If the engine coolant temperature warning light indicates that the engine is overheating, turn the air conditioning off.

Otherwise your vehicle may be damaged.

Turning On Air Conditioning System :

1. Start the engine.
2. Press the air conditioning (A/C) switch. (The indicator light on the switch turns on to indicate that the air conditioning is working.)
3. Adjust fan speed.

Note

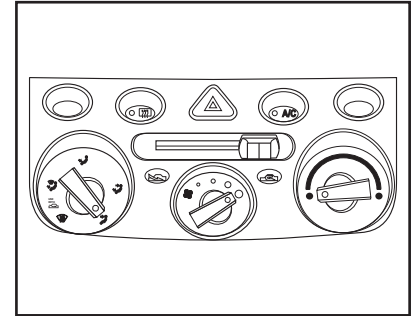
The fan must be turned on for the air conditioning compressor to work.

Turning Off Air Conditioning System :

Press the air conditioning (A/C) switch again. (The indicator light on the switch turns off to indicate that the air conditioning stops working.)


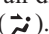
The air conditioning system will turn on automatically when the vehicle is started, if it was working when the engine was shut down last time.

COOLING



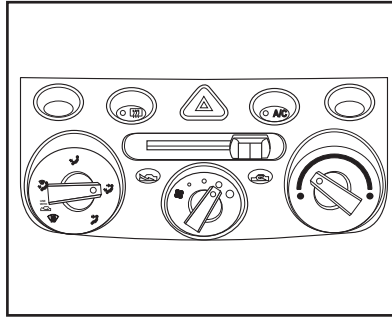
MAXIMUM COOLING

To achieve maximum cooling during hot weather and when your vehicle has been exposed to the sun for a long time :




- Open windows slightly to let warm air escape.
- Turn air conditioning (A/C) switch On (Indicator illuminates).
- Slide the air intake control lever to recirculation mode .
- Turn the air distribution mode knob to Front (.

7-10 Climate Control System

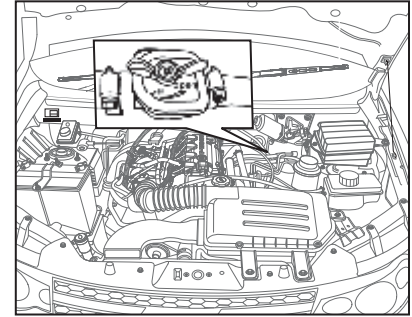
- Turn the temperature control knob all the way to blue area for cooling.
- Turn the fan speed control knob to highest speed.



NORMAL COOLING

- Turn air conditioning (A/C) switch On (Indicator illuminates).
- Slide the air intake control lever to recirculation mode .
- Turn the air distribution mode knob to Front () or Bi-Level ()
- Turn the temperature control knob to blue area for cooling.
- Adjust the fan speed control knob to the desired speed.

HEATING



HEATER CONTROL VALVE

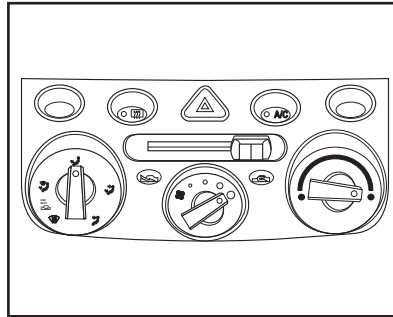
The heater control valve is located at the rear left of the engine compartment. The valve controls the flow of engine coolant to the heater core assembly located inside the dashboard. The valve is operated manually when heating is required.

Turn the heater control valve to OPEN position to warm the intake air in the cabin during winter.

Turn the heater control valve to OFF position to achieve better cooling effect during summer.

Note




The valve can also be kept in OPEN position in summer, if desired A/C performance is achieved.



MAXIMUM HEATING

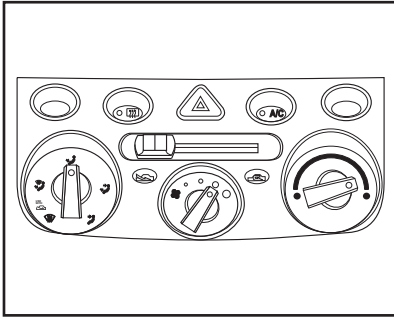
Use the maximum heating mode for quick heating of the passenger area. Do not use it for lengthy periods because the interior air may become stale and the windows may fog. To clear the windows, slide the air intake control lever to fresh air mode to allow fresh air into the vehicle.

- Turn air conditioning (A/C) switch Off (Indicator goes off).




- Slide the air intake control lever to recirculation mode .
- Turn the air distribution mode knob to Bi-Level () or Floor ().
- Turn the temperature control knob all the way to red area for heating.
- Turn the fan speed control knob to highest speed.

Note

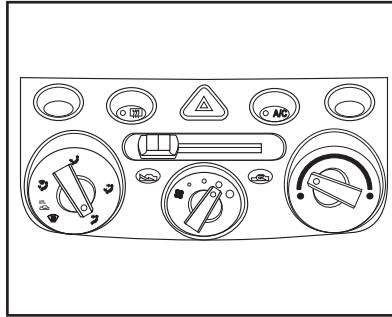
The heater control valve must be kept in OPEN position.






NORMAL HEATING

- Turn air conditioning (A/C) switch Off (Indicator goes off).
- Slide the air intake control lever to fresh air mode .
- Turn the air distribution mode knob to Bi-Level () or Floor ().
- Turn the temperature control knob to red area for heating.
- Turn the fan speed control knob to the desired speed.

VENTILATION

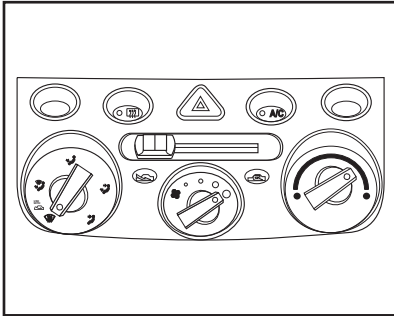


Suitable for a weather condition that is cool and full of sunshine. To obtain a better ventilation effect, use the following settings :




- Turn air conditioning (A/C) switch Off (Indicator goes off).
- Slide the air intake control lever to fresh air mode .
- Turn the air distribution mode knob to Front () or Bi-Level ().
- Turn the temperature control knob to blue area for cooling.

- Turn the fan speed control knob to the desired speed.

DEFROSTING





To defrost the front windshield and front side window glass, use the following settings :

- Turn air conditioning (A/C) switch Off (Indicator goes off).
- Slide the air intake control lever to fresh air mode .
- Turn the air distribution mode knob to Floor/Defrost () or Defrost () .
- Turn the temperature control knob to red area for heating.

- Turn the fan speed control knob to the desired speed.

Caution

A temperature difference between the outside air and the windshield can make the windshield mist up and reduce your forward vision.

Do not use the Floor/Defrost () or the Defrost () mode in extremely humid weather when the temperature control is set to blue area.

Otherwise accidents can result, leading to vehicle damage and personal injury.

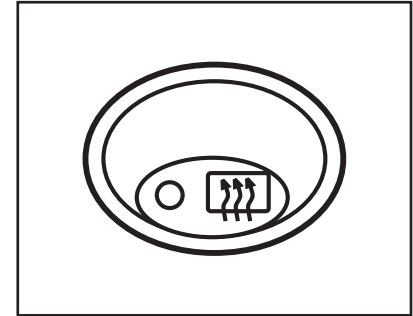
Note

Turn the air conditioner on to improve the efficiency of the defroster.

Note

The heater control valve must be kept in OPEN position.

REAR WINDOW DEFOGGER*



The ignition must be in II/ON position for this feature to work.

Press this switch to defog the rear window. To turn it off, press the switch again.

The indicator light in the switch will glow, when the system is on. Be sure to turn the defogger off after the window is clear.

Caution

Do not use the rear window defogger under the following conditions:

- Engine is not running
- Vehicle is not started
- There is a build-up of snow or ice on the rear window

Operating the rear window defogger under these conditions could drain the battery.

This can damage your vehicle, requiring the replacement of some parts.

Caution

Lack of proper maintenance can damage the defogger grid or scratch the glass.

Do not use sharp tools or abrasive window cleaners on the rear window.

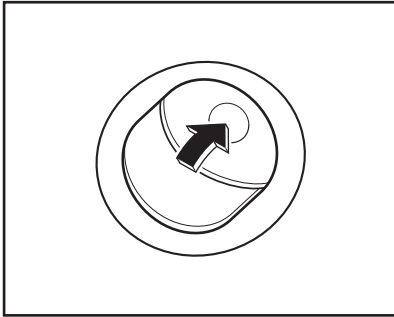
Do not damage or scratch the defogger grid when cleaning the rear window or working around it.

Less than clear vision for the driver can lead to an accident resulting in personal injury and damage to your vehicle or other property.

AIR OUTLETS

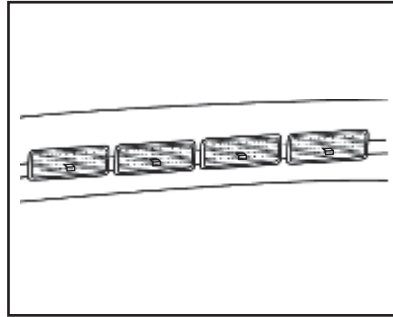
Most outlets are equipped with knobs to control airflow direction, and grille damper to control the airflow.

- To increase airflow in center air vents, close the side vents.
- To achieve the most comfortable ride, make sure all vents are open and the airflow direction control knob is in middle position.



DASHBOARD AIR OUTLETS

To open an outlet, press on its cover. Rotate the cover to direct airflow as desired.



REAR COOLER AIR OUTLETS

The knob at the center part of the grille controls the direction of air flow horizontally and vertically.

MAINTENANCE

AIR INTAKE

Fresh air enters the car through intake grille under the front windshield in the engine compartment.

The intake grille must be kept clear with no obstacles such as leaves or snow etc. in it.

AIR CONDITIONING REGULAR OPERATION

In order to ensure continuously efficient performance, cooling must be operated for a few minutes once a week, irrespective of the weather and time of year.

SERVICE

For optimal cooling performance, it is recommended to annually check the climate control system.

- Functionality and pressure test
- Heating functionality
- Leakage check
- Check of drive belts
- Cleaning of condenser and evaporator drainage
- Performance check

Caution

Use only correct refrigerant.

OPERATING TIPS

- Before using the air conditioning system, open the windows for a few minutes to permit hot air to escape if the vehicle has been parked in direct sunlight.
- For maximum cooling, select the Front (🌀) mode and the highest fan speed. Make sure that the air conditioning compressor is turned on. Then rotate the temperature control knob to select the coolest temperature and select the recirculation mode.
- To defog the windows on rainy days or in high humidity, turn on the air conditioning compressor.
- Turn on the air conditioning for a few minutes at least once a week, even in the winter or when the air conditioning system is not being used regularly. This maintains proper lubrication of the compressor and seals, prolonging the service life of the system.

- Driving in stop-and-go traffic may reduce the effectiveness of the air conditioning system.
- To quickly defog or defrost the front windshield, use the defrosting mode, set the temperature to warm, and set the fan at the highest speed.
- Defogger mode will operate with the air conditioner on or off.
- Turn the air conditioner on to improve the efficiency of the defroster.
- Do not use the defrosting mode in extremely humid weather when the temperature control is set to cold.

Warning

Climate control systems are serviced by qualified personnel only. Improper service methods may cause personal injury.

DRIVING AND OPERATING

Driving Information	8-2
Driving for Better Fuel Economy	8-2
Distracted Driving	8-2
Defensive Driving	8-3
Control of a Vehicle	8-3
Braking	8-3
Steering	8-4
Off-Road Recovery	8-4
Loss of Control	8-5
Driving on Wet Roads	8-5
Driving Through Deep Water	8-6
Highway Hypnosis	8-7
Hill and Mountain Roads	8-7
Winter Driving	8-8
If the Vehicle is Stuck	8-10
Engine Braking	8-10
Driving Precautions	8-11
Starting and Operating	8-13
New Vehicle Running -in Period	8-13
Ignition Switch	8-13

Starting the Engine	8-15
Manual Transmission	8-16
Manual Transmission	8-16
Clutch	8-17
Brakes	8-17
Brakes	8-17
Antilock Brake System (ABS)*	8-19
Parking Brake	8-20
Object Detection Systems	8-23
Rear Parking Assist*	8-23
Fuel	8-24
Fuel Recommendations	8-24
Filling the Tank	8-25
Engine Exhaust	8-27
Catalytic Converter	8-28

DRIVING INFORMATION

DRIVING FOR BETTER FUEL ECONOMY

Driving habits can affect fuel mileage. Here are some driving tips to get the best fuel economy possible.

- Avoid fast starts and accelerate smoothly.
- Brake gradually and avoid abrupt stops.
- Avoid idling the engine for long periods of time.
- Use the air conditioning only when necessary.
- Always follow posted speed limits or drive more slowly when conditions require.
- Keep vehicle tires properly inflated.
- Combine several trips into a single trip.
- Replace the vehicle's tires with the same TPC Spec number molded into the tire's sidewall near the size.

- Maintain a safe distance from other vehicles to avoid a collision in case of sudden stops. This will also reduce wear on the brake pads and linings.
- Do not carry unnecessary weight.
- Do not rest your foot on the brake pedal while driving.
- Follow recommended scheduled maintenance.

DISTRACTED DRIVING

Distraction comes in many forms and can take your focus from the task of driving. Exercise good judgment and do not let other activities divert your attention away from the road. Many local governments have enacted laws regarding driver distraction. Become familiar with the local laws in your area.

To avoid distracted driving, always keep your eyes on the road, hands on the wheel, and mind on the drive.

- Do not use a phone in demanding driving situations. Use a hands-free method to place or receive necessary phone calls.
- Watch the road. Do not read, take notes, or look up information on phones or other electronic devices.
- Designate a front seat passenger to handle potential distractions.
- Become familiar with vehicle features before driving, such as programming favorite radio stations

and adjusting climate control and seat settings.

- Wait until the vehicle is parked to retrieve items that have fallen to the floor.
- Stop or park the vehicle to attend to children.
- Keep pets in an appropriate carrier or restraint.
- Avoid stressful conversations while driving, whether with a passenger or on a cell phone.

⚠ Warning

Taking your eyes off the road too long or too often could cause a crash resulting in injury or death. Focus your attention on driving.

DEFENSIVE DRIVING

Defensive driving means "always expect the unexpected." The first step in driving defensively is to wear the safety belt. See "Safety Belts" on page 3-11.

- Assume that other road users (pedestrians, bicyclists, and other drivers) are going to be careless and make mistakes. Anticipate what they might do and be ready.
- Allow enough following distance between you and the driver in front of you.
- Focus on the task of driving.

CONTROL OF A VEHICLE

Braking, steering, and accelerating are important factors in helping to control a vehicle while driving.

BRAKING

Braking action involves perception time and reaction time. Deciding to push the brake pedal is perception time. Actually doing it is reaction time.

Average driver reaction time is about three-quarters of a second. In that time, a vehicle moving at 100 km/h (60 mph) travels 20m (66 ft), which could be a lot of distance in an emergency.

Helpful braking tips to keep in mind include:

- Keep enough distance between you and the vehicle in front of you.
- Avoid needless heavy braking.
- Keep pace with traffic.

If the engine ever stops while the vehicle is being driven, brake normally but do not pump the brakes. Doing so could make the pedal harder to push down. If the engine stops, there will be some power brake assist but it will be used when the brake is applied. Once the power assist is used up, it can take longer to stop and the brake pedal will be harder to push.

STEERING

HYDRAULIC POWER STEERING

Your vehicle has hydraulic power steering. It may require maintenance. See "Power Steering Fluid" on page 9-18.

If power steering assist is lost because the engine stops or a system malfunction, the vehicle can be steered but may require increased effort. See your CHEVROLET retailer if there is a problem.

Curve Tips

- Take curves at a reasonable speed.
- Reduce speed before entering a curve.
- Maintain a reasonable steady speed through the curve.
- Wait until the vehicle is out of the curve before accelerating gently into the straightaway.

Steering in Emergencies

- There are some situations when steering around a problem may be more effective than braking.

- Holding both sides of the steering wheel allows you to turn 180 degrees without removing a hand.
- The Antilock Brake System (ABS) allows steering while braking.

OFF-ROAD RECOVERY



The vehicle's left wheels can drop off the edge of a road onto the shoulder while driving. Follow these tips:

1. Ease off the accelerator and then, if there is nothing in the way, steer the vehicle so that it straddles the edge of the pavement.
2. Turn the steering wheel about one-eighth of a turn, until the left front tire contacts the pavement edge.
3. Then turn the steering wheel to go straight down the roadway.

LOSS OF CONTROL

SKIDDING

There are three types of skids that correspond to the vehicle's three control systems:

- Braking Skid - wheels are not rolling.
- Steering or Cornering Skid - too much speed or steering in a curve causes tires to slip and lose cornering force.
- Acceleration Skid - too much throttle causes the driving wheels to spin.

Defensive drivers avoid most skids by taking reasonable care suited to existing conditions, and by not overdriving those conditions. But skids are always possible.

If the vehicle starts to slide, follow these suggestions:

- Ease your foot off the accelerator pedal and quickly steer the way you want the vehicle to go. The vehicle may straighten out. Be ready for a second skid if it occurs.

- Slow down and adjust your driving according to weather conditions. Stopping distance can be longer and vehicle control can be affected when traction is reduced by water, snow, ice, gravel, or other material on the road. Learn to recognise warning clues - such as enough water, ice, or packed snow on the road to make a mirrored surface- and slow down when you have any doubt.
- Try to avoid sudden steering, acceleration, or braking, including reducing vehicle speed by shifting to a lower gear. Any sudden changes could cause the tires to slide.

Remember: Antilock brakes help avoid only the braking skid.

DRIVING ON WET ROADS

Rain and wet roads can reduce vehicle traction and affect your ability to stop and accelerate. Always drive slower in these types of driving conditions and avoid driving through large puddles and deep-standing or flowing water.

Warning

Wet brakes can cause crashes. They might not work as well in a quick stop and could cause pulling to one side. You could lose control of the vehicle.

After driving through a large puddle of water or a car/vehicle wash, lightly apply the brake pedal until the brakes work normally.

Flowing or rushing water creates strong forces. Driving through flowing water could cause the vehicle to be carried away. If this happens, you and other vehicle occupants could be drown. Do not ignore police warnings and be very cautious about trying to drive through flowing water.

HYDROPLANING

Hydroplaning is dangerous. Water can build up under the vehicle's tires so they actually ride on the water. This can happen if the road is wet enough and you are going fast enough. When the vehicle is hydroplaning, it has little or no contact with the road.

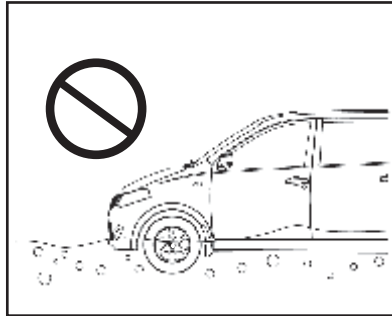
There is no hard and fast rule about hydroplaning. The best advice is to slow down when the road is wet.

Other Rainy Weather Tips

Besides slowing down, other wet weather driving tips include:

- Allow extra following distance.
- Pass with caution.
- Keep windshield wiping equipment in good shape.
- Keep the windshield washer fluid reservoir filled.
- Have good tires with proper tread depth. See "Tires" on page 9-29.

DRIVING THROUGH DEEP WATER



When you are about to drive through deep water, you must check the puddle or standing water is not too deep. If you drive too quickly through deep water, water can enter your engine through the air intake causing severe damage.

Note

If your vehicle stops while driving through deep water, then do not start the engine and have your vehicle checked from CHEVROLET retailer.

Caution

Before attempting to drive through deep water, always observe the following precautions :

- Do not drive through water if the depth is slightly lower than the underbody of your vehicle.
- Drive as slow as you can at speed limit less than 10 km/h.

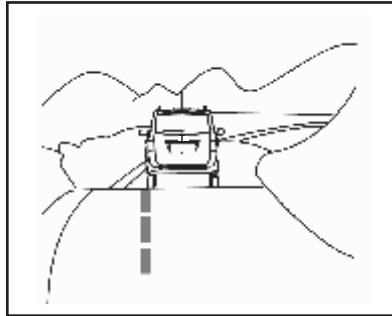
HIGHWAY HYPNOSIS

Always be alert and pay attention to your surroundings while driving. If you become tired or sleepy, find a safe place to park the vehicle and rest.

Other driving tips include:

- Keep the vehicle well ventilated.
- Keep the interior temperature cool.
- Keep your eyes moving - scan the road ahead and to the sides.
- Check the rearview mirror and vehicle instruments often.

HILL AND MOUNTAIN ROADS



Driving on steep hills or through mountains is different than driving on flat or rolling terrain. Tips for driving in these conditions include:

- Keep the vehicle serviced and in good shape.
- Check all fluid levels and brakes, tires, cooling system, and transmission.
- Shift to a lower gear when going down steep or long hills.

Warning

If you do not shift down, the brakes could get so hot that they would not work well. You would then have poor braking and you could crash. Shift down to let the engine assist the brakes on a steep downhill slope.

Warning

Coasting downhill in N (Neutral) or with the ignition in B/OFF position is dangerous. The brakes will have to do all the work of slowing down and they could get so hot that they would not work well. You would then have poor braking and you could crash. Always have the engine running and the vehicle in gear when going downhill.

- Stay in your own lane. Do not swing wide or cut across the center of the road. Drive at speeds that let you stay in your own lane.
- Be alert on top of hills; something could be in your lane (stalled car, accident).
- Pay attention to special road signs (falling rocks area, winding roads, long grades, passing or no-passing zones) and take appropriate action.

WINTER DRIVING

DRIVING ON SNOW OR ICE

Drive carefully when there is snow or ice between the tires and the road, creating less traction or grip.

Wet ice can occur at about 0°C (32°F) when freezing rain begins to fall, resulting in even less traction. Avoid driving on wet ice or in freezing rain until roads can be treated with salt or sand.

Drive with caution, whatever the condition. Accelerate gently so traction is not lost. Accelerating too quickly causes the wheels to spin and makes the surface under the tires slick, so there is even less traction.

Try not to break the fragile traction. If you accelerate too fast, the drive wheels will spin and polish the surface under the tires even more.

The Antilock Brake System (ABS) on page **8-19** improves vehicle stability

during hard stops on slippery roads, but apply the brakes sooner than when on dry road.

Allow greater following distance on any slippery road and watch for slippery spots. The surface of a curve or an overpass can remain icy when the surrounding roads are clear. Avoid sudden steering maneuvers and braking while on ice.

BLIZZARD CONDITIONS

Being stuck in snow can be a serious situation. Stay with the vehicle unless there is help nearby. To get help and keep everyone in the vehicle safe:

- Turn on the hazard warning flashers.
- Tie a red cloth to an outside mirror.
- Use warning triangle.

⚠ Warning

Snow can trap engine exhaust under the vehicle. This may cause exhaust gases to get inside. Engine exhaust contains carbon monoxide (CO) which cannot be seen or smelled. It can cause unconsciousness and even death.

If the vehicle is stuck in the snow:

- Clear away snow from around the base of your vehicle, especially anything that is blocking the exhaust pipe.
- Check again from time to time to be sure snow does not collect there.
- Open a window about 5 cm (2 in) on the side of the vehicle that is away from the wind to bring in fresh air.

(Continued)

⚠ Warning (Continued)

- Fully open the air outlets on or under the instrument panel.
- Adjust the climate control system to a setting that circulates the air inside the vehicle and set the fan speed to the highest setting.

For more information about carbon monoxide, see "Engine Exhaust" on page 8-27.

Run the engine for short periods only as needed to keep warm, but be careful.

To save fuel, run the engine for only short periods as needed to warm the vehicle and then shut the engine off and close the window most of the way to save heat. Repeat this until help arrives but only when you feel really uncomfortable from the cold. Moving about to keep warm also helps.

If it takes some time for help to arrive, now and then when you run the engine, push the accelerator pedal slightly so the engine runs faster than the idle speed. This keeps the battery charged to restart the vehicle and to signal for help with the headlamps. Do this as little as possible to save fuel.

IF THE VEHICLE IS STUCK

Slowly and cautiously spin the wheels to free the vehicle when stuck in sand, mud, ice, or snow.

Warning

If the vehicle's tires spin at high speed, they can explode, and you or others could be injured. The vehicle can overheat, causing an engine compartment fire or other damage. Spin the wheels as little as possible and avoid going above 56 km/h (35 mph).

Rocking the Vehicle to Get it Out

Turn the steering wheel left and right to clear the area around the front wheels. Shift back and forth with a manual transmission, between 1 (First) or 2 (Second) and R (Reverse), spinning the wheels as little as possible. To prevent transmission wear, wait until the wheels stop spinning before shifting gears. Release the accelerator pedal while

shifting, and press lightly on the accelerator pedal when the transmission is in gear. Slowly spinning the wheels in the forward and reverse directions causes a rocking motion that could free the vehicle. If that does not get the vehicle out after a few tries, it might need to be towed out. If the vehicle does need to be towed out, see "Towing the Vehicle" on page **9-50**.

ENGINE BRAKING

To help use of braking effect of the engine compression when driving on a long downhill:

For manual transaxle, downshift to a lower gear in a sequential order.

Warning

Do not downshift your manual transaxle by two or more gear positions at a time.

This prevents damage to your transaxle or loss of control and personal injuries.

Note

Use of engine compression during long mountainous descents may prolong the life of your brakes.

DRIVING PRECAUTIONS

BEFORE ENTERING THE VEHICLE

 **Warning**

- Make sure all exterior light bulbs, lamps, signaling systems, and warning indicators are clean and working properly.

These precautions help to avoid accidents that could result in personal injury or damage to the vehicle.

- Be sure all windows, inside and outside rearview mirrors, light bulbs, and lamps are clean and working properly.
- Check under the vehicle for leaks.
- Check the levels of engine oil and other fluids in the engine compartment.
- Visually check the tires for damage or improper inflation pressures and for foreign objects imbedded in the tread.
- Take corrective actions as required.

BEFORE DRIVING

 **Warning**

Loose objects on the instrument panel can obstruct your vision.

- Remove any loose objects on the instrument panel.

These objects can also be thrown around and strike passengers during hard braking or a collision, causing personal injury or damage to your vehicle.

- Be sure you understand your vehicle, its equipment and its safe operation.
- Adjust your seat to a comfortable position.
- Adjust the inside and outside mirrors.
- Be sure all occupants of the vehicle have fastened their safety belts.

- Check the operation of the warning lights as the ignition key is turned to II/ON position.
- Check all the gauges.
- Release the parking brake, making sure the warning lamp goes out.

WHILE DRIVING

As the driver of your vehicle, you are responsible for the safety of yourself, your passengers and others sharing the road with you. To discharge that responsibility, you must keep your full attention on operating the vehicle. Most vehicular collisions are caused when a driver's concentration is either impaired or distracted. At all times, the driver's concentration should be upon the road and nearby vehicles and other objects.

One significant distraction in today's driving environment is the use of hand-held phones while driving. Studies have found that the use of hand-held phones while driving increases the risk of being involved in an accident.

Using phones, two-way radios or other electronic devices such as computers, organizers, games, video, or GPS and other navigational aids similarly increases the risk of collision. We discourage your use of equipment while you are operating your vehicle.

Warning

Driving safely requires all of your concentration as well as the application of good judgment and common sense. Avoid or minimize distractions while operating your vehicle. Distractions you may encounter could include:

- responding to calls on your cell or car phone;
- initiating calls on your cell or car phone;
- making adjustments to your seat, steering wheel or mirrors;
- using other electronic devices;
- referring to maps or other written materials;
- removing or connecting your safety belt;
- searching for change approaching toll booths; or

(Continued)

Warning (Continued)

- other activities that divert your attention from the task of safe vehicular operation.

Engaging in such activities will greatly increase the risk of a collision that may cause personal injury or death.

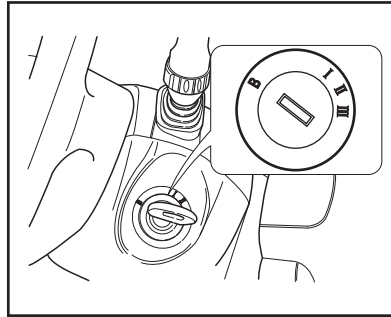
Anticipate the need for such activities and perform them before you start your trip when possible, or while your vehicle is safely at a stop.

STARTING AND OPERATING NEW VEHICLE RUNNING-IN PERIOD

Use the following precautions for the first few hundred kilometers to improve the performance and economy of your vehicle and add to its long life:

- Avoid full-throttle starts.
- Allow the engine to warm up before driving.
- Do not race the engine.
- Avoid hard stops except in emergencies. This will allow your brakes to break-in properly.
- Avoid quick starts, sudden accelerations, and prolonged high-speed driving in order to avoid damage to the engine and to conserve fuel.
- Avoid full-throttle acceleration in low gear.
- Do not tow any other vehicle.

IGNITION SWITCH



The ignition switch, located on the right side of the steering column, has the following positions: **B, I, II** and **III**.

- **B (LOCK/OFF)**

To lock the steering wheel, remove the key and rotate the steering wheel until it locks.

For easier key operation when unlocking the steering wheel, rotate the steering wheel gently to left or right and turn the key to the **I/ACC** position.

Do not turn the engine off when the

vehicle is moving. This will cause a loss of power assist in the brake and steering systems and disable the airbags.

If the vehicle must be shut off in an emergency:

1. Brake using a firm and steady pressure. Do not pump the brakes repeatedly. This may deplete power assist, requiring increased brake pedal force.
2. Shift the vehicle to neutral. This can be done while the vehicle is moving. After shifting to neutral, firmly apply the brakes and steer the vehicle to a safe location.
3. Come to a complete stop. Turn the ignition to **B/LOCK/OFF** position.
4. Set the parking brake. See "Parking Brake" on page **8-20**.

8-14 Driving and Operating

Warning

Turning off the vehicle while moving may cause loss of power assist in the brake and steering systems and disable the airbags. While driving, only shut the vehicle off in an emergency.

If the vehicle cannot be pulled over, and must be shut off while driving, turn the ignition to I/ACC position.

- **I (ACC/ACCESSORY)**

The engine can be turned off without locking the steering wheel by turning the key to the I/ACC position.

Some electrical accessories, such as the radio (if equipped) and the cigarette lighter, can be operated in the I/ACC position.

Caution

- Do not leave the key in the I/ACC position for extended periods. This will discharge the battery.

- **II (ON)**

Activates the ignition system and the electrical accessories.

Caution

- Do not leave the key in the II/ON position for extended periods while the engine is not running. This will discharge the battery.

- **III (START)**

Starts the engine. When the engine starts, release the key, and it will automatically return to II/ON position.

Make sure that the engine is not running before turning the key to III/START position.

Warning

- Do not turn the key to B/LOCK/OFF position while driving.

Driver could lose control of vehicle and brake power assistance would be cancelled, causing vehicle damage, personal injury or possibly death.

Warning

- Do not reach for the key through the steering wheel.

Steering wheel can suddenly turn causing driver to lose control of vehicle and causing injury to fingers, hands or arms.

STARTING THE ENGINE

BEFORE STARTING THE ENGINE:

- Make sure there are no obstacles around the vehicle.
- Make sure that all windows and lights are clean and transparent.
- Check the tire condition, inflation pressure and look for foreign objects.
- Adjust the head restraints to the appropriate position.
- Adjust the interior rear view mirror and exterior rear view mirrors.
- Fasten the safety belt correctly and make sure that all passengers fasten their belts.
- When the key is turned to the II/ON position, check that the warning lights and indicators on the instrument panel work.

- Check maintenance items recorded in this Manual regularly (for example when the vehicle is being refueled).

Caution

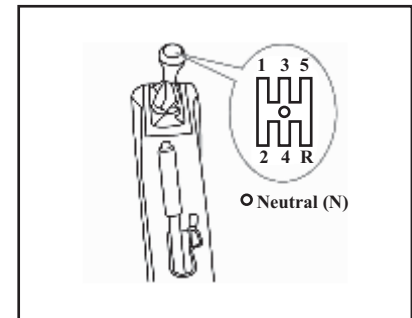
Do not keep the starter motor running for more than 10 seconds. If the engine does not start, please wait for 10 seconds and try again. This can prevent damages to the starter motor and battery discharge.

Caution

- Do not idle the engine at high rpm for more than 3 minutes. Excessive temperature can damage the exhaust system / catalytic converter.

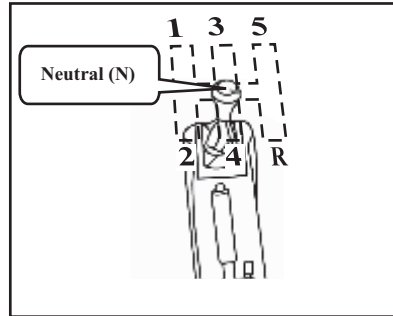
STARTING THE ENGINE

1. Make sure the driver and passengers are wearing their safety belts properly.
2. Apply parking brake if it is not engaged.
3. Make sure the seats, head restraints, and mirrors are in their proper positions and adjust them if it is required.
4. Make sure the gearshift lever is in Neutral (N) position and press the clutch pedal all the way down.



- Without touching the accelerator pedal, turn the ignition to III/START position and release it when the engine starts. If the engine starts momentarily but fails to run, wait for 10 seconds, then try again.
- Allow the engine to idle at least 30 seconds.
- Release the parking brake.
- Drive at a moderate speed for a short distance, especially in cold weather until normal engine operating temperature is reached.

MANUAL TRANSMISSION MANUAL TRANSMISSION



To change gears, fully depress the clutch pedal, move the gearshift lever into gear, and slowly release the clutch pedal.

If the gear does not engage, set the lever in neutral, release the clutch pedal and depress again; then repeat gear selection.

Do not grind the clutch unnecessarily. When operating, depress the clutch pedal completely. Do not use the pedal as a footrest.

Caution

It is inadvisable to drive with hand resting on the shift lever.

Caution

Shifting to R (Reverse) while the vehicle is moving forward could damage the transmission. The repairs would not be covered by the vehicle warranty. Shift to R (Reverse) only after the vehicle is stopped.

CLUTCH

Do not rest your foot on the clutch pedal while driving.

Warning

Resting the foot on the clutch pedal while driving results in engine and clutch system damage and increase fuel consumption.

BRAKES

BRAKES

The braking system is designed for braking performance under a wide range of driving conditions.

Your vehicle is equipped with front disc and rear drum brakes and a dual circuit braking system.

If one brake circuit fails, the vehicle can still be stopped with the remaining circuit, however, stopping distance will be increased and more brake pedal pressure will be required.

Warning

If one of circuit fails, the brake pedal must be pressed with greater pedal pressure and the braking distance is increased.

- Have the brake system checked and repaired by a CHEVROLET retailer immediately.

Warning

If the brake pedal can be pressed further than normal, the brakes may be in need of repair.

- Consult your CHEVROLET retailer immediately.

Caution

- Do not drive with your foot resting on the brake pedal.

Doing so will accelerate wear of brake components. The brakes may also become overheated, resulting in longer braking distance and an unsafe condition.

WET BRAKES

Driving through water or washing your car can get the brake components wet.

To restore normal braking:

1. Check behind you for other vehicles.
2. Keep a safe forward speed with plenty of space to your rear and sides.
3. Gently apply brakes until normal performance is restored.

OVERHEATED BRAKES

Braking excessively when going down a long, steep hill can temporarily overheat the brakes. Shift to a lower gear when going down hills. Do not continuously apply the brakes.

Warning

After driving through deep water, washing the vehicle, or using the brakes excessively when going down a steep hill, the brakes can temporarily lose their stopping power. This may be due to wet brake components or overheating.

If your brakes temporarily lose their stopping power because of overheating:

Shift to a lower gear when going down hills. Do not continuously apply the brakes.

Warning

If your brakes temporarily lose their power because of wet brake components, the following procedure will help restore their normal performance.

1. Check behind you for other vehicles.
2. Keep a safe forward speed with plenty of space to your rear and sides.
3. Gently apply the brakes until normal performance is restored.

Warning

When brake noise is heard, please visit your CHEVROLET retailer.

ANTILOCK BRAKE SYSTEM (ABS)*

Your vehicle may be equipped with this function.

The Antilock Brake System (ABS) is an advanced electronic brake system which helps to prevent slip and skidding. This system can help to bypass obstacles when braking suddenly and provide maximum braking force on slippery roads.

The ABS warning light will light momentarily when the ignition switch is turned to II/ON position. If the ABS warning light stays on or lights during driving, it indicates a problem with the ABS.

Consult your CHEVROLET retailer for necessary repair. See "ABS Warning Light" on page 5-22.

The ABS system will monitor the speed of each wheel during the braking process. If one wheel has a tendency to lock up, the system will control the

front and rear wheel brakes separately. The brake pedal will usually vibrate slightly with some noise when ABS is working.

For optimum braking, keep the brake pedal fully depressed throughout the braking process, despite the fact that the pedal is pulsating. Do not reduce the pressure on the pedal.

Caution

ABS will not change the time needed for braking, neither it will necessarily shorten the braking distance. Even if ABS is equipped, an adequate braking distance should be maintained.

FAULTS

Warning

If there is a fault in the ABS, the wheels may be liable to lock due to braking that is heavier than normal. The advantages of ABS are no longer available. During hard braking, the vehicle can no longer be steered and may swerve.

Have the cause of the fault remedied by a CHEVROLET retailer.

USING ABS

Do not pump the brakes. Just hold the brake pedal down firmly and let ABS work. You might hear the ABS pump or motor operating and feel the brake pedal pulsate, but this is normal.

BRAKING IN EMERGENCIES

ABS allows the driver to steer and brake at the same time. In many emergencies, steering can help more than even the very best braking.

Warning

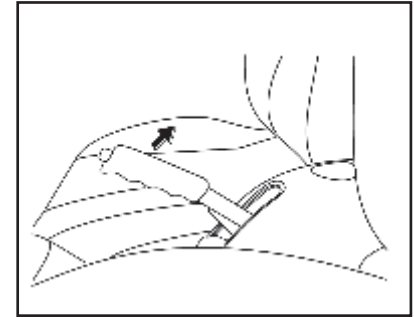
If the brake system and the ABS warning light comes on at the same time, there is a failure in the brake system.

- Have the system checked by your CHEVROLET retailer immediately.

TIRES AND ABS

Tire size is important for proper performance of the ABS. Replacement tires should be the same size, load range and construction as the original tires. Replace tires in axle sets and only with tires of the same tire performance criteria (TPC) specification number. The use of any size or type of tire may seriously affect the ABS operation.

PARKING BRAKE



The parking brake acts on the rear wheels.

The parking brake lever is positioned between the front seats.

When using the parking brake, stop the vehicle, depress the brake pedal and pull the parking brake lever upto 6-8 notches.

To release the parking brake, depress the brake pedal, and

1. Pull the parking brake lever slightly.

2. Push the button at the end of the brake lever.
3. Lower the brake lever while pressing the button.

⚠ Warning

If the parking brake is not set properly, the vehicle may move suddenly. See your CHEVROLET retailer if an adjustment is required.

Caution

Do not drive with the parking brake on.
This can cause your rear brakes to overheat or wear out prematurely. You may have to replace them, and you could damage other parts of your vehicle.

PARKING UNDER WET / COLD WEATHER

Under cold weather conditions, the parking brake can freeze in the engaged position. This is most likely to happen if the brakes are wet.

If there is a risk that parking brake may freeze after driving through water, deep enough to wet brake components or having the vehicle washed:

1. Apply the parking brake only temporarily while you put the gear shift lever in first or reverse gear.
2. Block the rear wheels with wedge blocks.
3. Then release the parking brake.

⚠ Warning

- Do not use parking brake while the vehicle is in motion, or as a substitute for the brake pedal.

Doing so may cause you to lose control of the vehicle, resulting in a collision, property damage and personal injury.

Caution

Do not park or operate your vehicle over combustible materials.
They could touch hot exhaust parts under your vehicle and ignite.

PARKING THE VEHICLE

- Do not park the car on a flammable base.
- When using the parking brake, do not press the release button. Apply the parking brake firmly when the vehicle is parked on an upward or a downward slope, and meanwhile depress the brake pedal to reduce the force applied.
- Turn OFF the engine and ignition switch. Turn the steering wheel gently until the steering wheel is locked.

For Vehicles Equipped with Manual Transmission:

1. When the car is parked on level ground, place the shift lever in the neutral position.
2. When the car is parked on a downward slope, place the shift lever in the reverse position.

3. When the car is parked on an upward slope, put the shift lever into first gear.

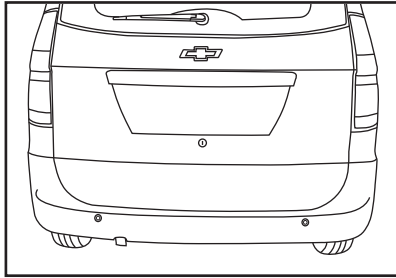
Warning

To prevent your parked vehicle from moving accidentally, do not leave the front wheels in a straight ahead position when parking on a hill.

- Turn the wheels away from the road and apply the parking brake if parking facing downhill.
- Turn the wheels towards the road and apply the parking brake if parking facing uphill.

OBJECT DETECTION SYSTEMS

REAR PARKING ASSIST*



The parking assistance system aids the driver during backward movement of the vehicle by chiming if any object is sensed behind the vehicle.

This system is turned on whenever the ignition switch is in II/ON position and the transmission is shifted to R (Reverse).

This system consists of two rear parking sensors on the rear bumper.

When the reverse gear is engaged, the system is in the self-test mode:

- If both the sensors work normal, the chime sounds "beep" once.
- If one of the sensor fails, the chime sounds "beep-beep" once.
- If both the sensors fails, the chime sounds "beep-beep-beep" once.

Consult your CHEVROLET retailer to repair the problem as soon as possible.

CHIME WARNING SOUND

You can figure out the distance between your vehicle and obstacles using the chime warning sound from the below table.

Rear Warning Type				
Warning Zone	Zone 1	Zone 2	Zone 3	Zone 4
Warning Range	120~91 cm	90~61 cm	60~41cm	40cm~
Warning Sound	beep---beep---beep with long interval	beep--beep--beep with short interval	beep-beep-beep with very short interval	beep continous

Caution

Parking assistance system should only be considered as a supplementary function. The driver must check the view.

The audible warning signal can be different depending on the objects.

The audible warning signal might not activate in case the sensor is frozen or stained with dirt or mud.

There is a chance of malfunction of the parking assistance system when driving on uneven surface such as woods, gravel road, jagged road, or gradient.

Do not push, or scratch the surface of the sensor. This will likely damage the covering.

The parking assistance system might not recognise sharp objects, thick winter clothes or sponges which absorb the frequency.

Caution

When receiving other ultrasonic signals (metal sound or air braking noises from heavy commercial vehicles), the parking assistance system may not work properly.

Clean dirty sensors with a soft sponge and clean water.

You should continue to utilise the mirror or turning your head.

Normal precautions when reversing should be maintained.

Do not press or shock the sensors by hitting or directing a high pressure water gun directly at them while washing, or the sensors will be damaged.

In the car park, the upper portion of the vehicle can be hit before the sensor operation, so check with outside rearview mirrors or by turning your head during parking.

FUEL

FUEL RECOMMENDATIONS

Only use unleaded petrol 91 or higher octane rating fuel. The use of low octane petrol may reduce the engine power and torque, while increasing fuel consumption.

Caution

The use of incorrect grade of fuel or filling in the fuel tank with incorrect fuel will cause serious damage to the engine and catalytic converter.

Make sure you use the correct fuel that is compatible with your vehicle.

For safety purposes, the fuel tank, pumps and piping must be suitably grounded. Static electricity can ignite petrol vapours. You may be burned and the vehicle will be damaged.

Caution

The usage of low octane fuel can result in uncontrolled combustion and engine damage. The vehicle is designed to exclude the use of methanol fuel which will corrode the metal parts in the fuel system and damage plastic and rubber parts. Therefore damage caused by using methanol fuel is not covered by the warranty.

Fuel with excessive levels of manganese and iron may result in blockage of the catalytic converter, failure of spark plugs and other problems.

⚠ Danger

Before adding fuel, switch off the engine and any external combustion heating device.

Turn off cell phones. When adding fuel, observe the operation and safety instructions of the fuel station.

⚠ Danger

Fuel is a flammable and explosive material.

No smoking. No open flames or sparks.

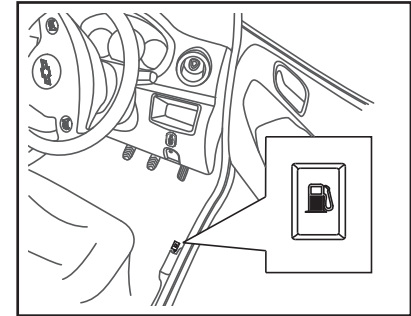
If you can smell fuel in your vehicle, have the cause of this remedied immediately by a CHEVROLET retailer.

Driving in other countries

When driving your vehicle in other countries:

- Comply with all the registration and insurance regulations.
- Make sure that correct fuel is available.

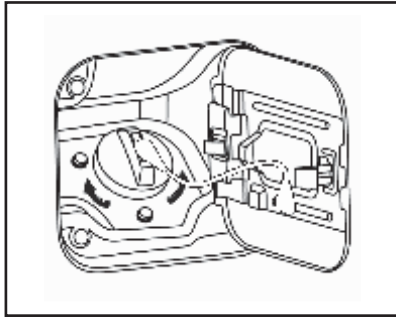
FILLING THE TANK



1. Switch OFF the engine.
2. Pull up on fuel filler door release lever located on the floor, front right side of driver's seat.

Note

If the fuel filler door does not open in cold weather, tap the door lightly. Then try to open it again.



3. Turn the fuel filler cap counterclockwise. If there is a hissing sound, wait until it stops before unscrewing the cap. The fuel filler door is in the right rear quarter panel.
4. Open the cap. The cap is tethered to the vehicle.

⚠ Danger

If you can smell fuel in your vehicle, have the cause of this remedied immediately by a CHEVROLET retailer.

Caution

Fuel vapor is highly flammable. Make sure that fuel is kept away from sparks, flames and other hot materials. Switch OFF the engine. Ignition of fuel vapor will result in serious burns to people and damage to your vehicle.

5. After refueling, refit cap. Turn it clockwise until you hear several clicks.
6. Push the fuel filler door closed until it latches.

Caution

Avoid fuel splashes on the painted surface of vehicle.

In case of splashes on the vehicle, rinse the parts with clean cold water immediately.

Otherwise the fuel will damage the paint.

Caution

Wipe off any overflowing fuel immediately.

ENGINE EXHAUST

⚠ Danger

Before refueling, switch off engine and any external heaters with combustion chambers. Switch off any mobile phone.

Vaporised fuel can be ignited by electromagnetic waves or electric current of mobile phone.

Fuel is flammable and explosive. No smoking. No naked flames or sparks. Follow the operating and safety instructions of the filling station when refueling.

Remove static electricity on your hands by touching something able to release static electricity when touching or opening fuel cap or refueling nozzle.

⚠ Danger

Engine exhaust gases contain poisonous carbon monoxide, which is colourless and odourless and could be fatal if inhaled.

If exhaust gases enter the interior of the vehicle, open the windows. Have the cause of the fault rectified by a CHEVROLET retailer.

Avoid driving with an open load compartment, otherwise exhaust gases could enter the vehicle.

⚠ Warning

Engine exhaust contains carbon monoxide (CO) which cannot be seen or smelled. Exposure to CO can cause unconsciousness and even death.

Exhaust may enter the vehicle if:

- The vehicle idles in areas with poor ventilation (parking garages, tunnels, deep snow that may block underbody airflow or tail pipes).
- The exhaust smells or sounds strange or different.
- The exhaust system leaks due to corrosion or damage.
- The vehicle exhaust system has been modified, damaged or improperly repaired.

(Continued)

▲ Warning (Continued)

- There are holes or openings in the vehicle body from damage or aftermarket modifications that are not completely sealed.

If unusual fumes are detected or if it is suspected that exhaust is coming into the vehicle:

- Drive it only with the windows completely down.
- Have the vehicle repaired immediately.

Never park the vehicle with the engine running in an enclosed area such as a garage or a building that has no fresh air ventilation.

CATALYTIC CONVERTER

The catalytic converter reduces the amount of harmful substances in the exhaust gas.

Caution

The usage of fuel other than those mentioned on pages "Fuel Recommendations" on page **8-24**, could damage the catalytic converter or electronic components.

Unburnt fuel will overheat and damage the catalytic converter. Therefore avoid excessive use of the starter, running the fuel tank dry and starting the engine by pushing or towing.

In the event of misfiring, uneven engine running, a reduction in engine performance or other unusual problems, have the cause of the fault rectified by a CHEVROLET retailer as soon as possible.

In an emergency, driving can be continued for a short period, keeping vehicle speed and engine speed low.

Caution

Don't touch the catalytic converter during engine operating and it can be possible to touch the catalytic converter after cooling down the catalytic converter because the catalytic converter is very hot so the skin (i.e. hand or body) can be burned. Cooling down condition-cool down over two hours under ambient temperature after engine stops.

VEHICLE CARE

- General Information 9-2**
 - Accessories and Modifications 9-2
 - Vehicle Storage 9-2
 - Radio Frequency Identification (RFID) Tag* 9-3
- Driver's Checklist 9-3**
 - Exterior 9-3
 - Interior 9-4
- Hood 9-4**
- Engine Compartment Overview 9-6**
- Engine Oil 9-7**
 - Check the Engine Oil Level 9-7
 - Replace Engine Oil and Oil Filter 9-10
- Coolant 9-11**
 - Engine Overheating 9-15
- Brake Fluid 9-16**
 - Adding Brake Fluid9-17
- Transmission Fluid 9-18**

- Check the Transmission Fluid for Leakage 9-18
- Power Steering Fluid 9-18**
 - Check the Power Steering Fluid Level 9-18
 - Adding Power Steering Fluid 9-19
- Windshield Washer Fluid 9-19**
- Windshield Wipers9-20**
 - Replacing Wiper Blades 9-21
- Air Filter 9-21**
 - Cleaning the Air Filter 9-21
- Drive Belt 9-22**
- Battery 9-22**
 - Cleaning Battery Terminals .. 9-22
 - Battery Maintenance 9-23
- Brake Pedal 9-24**
 - Checking the Brake Pedal Free Play 9-24
- Parking Brake 9-24**

- Checking the Parking Brake Travel 9-24
- Bulb Replacement 9-25**
 - Halogen Bulbs 9-25
 - Headlamp Aiming 9-25
- Electrical System 9-26**
 - Fuses 9-26
 - Engine Compartment Fuse Block 9-27
 - Instrument Panel Fuse Block ..9-29
- Wheels and Tires 9-29**
 - Tires 9-29
 - Winter Tires 9-30
 - Tire Pressure 9-31
 - Tread Depth9-33
 - Tire Inspection 9-34
 - Tire Rotation 9-35
 - When it is Time for New Tires 9-35
 - Buying New Tires 9-36

Different Size Tires and Wheels	9-36
Wheel Alignment and Tire Balance	9-37
Wheel Replacement	9-37
If a Tire Goes Flat	9-38
Tire Changing	9-39
Jump Starting	9-46
Jump Starting	9-46
Towing	9-50
Towing the Vehicle	9-50
Emergency Towing	9-52
Towing Hooks for Shipping..	9-55
Appearance Care	9-55
Exterior Care	9-55
Interior Care	9-58

GENERAL INFORMATION

ACCESSORIES AND MODIFICATIONS

We recommend to use genuine parts and accessories and factory approved parts specific for your vehicle type. We cannot assess or guarantee reliability of other products - even if they have a regulatory or otherwise granted approval.

Do not make any modifications to the electrical system e.g. changes of electronic control units (chip turning).

Caution
Never modify your vehicle. It may affect the performance, durability and safety of the vehicle and the warranty may not cover any problems caused by the modification.

VEHICLE STORAGE

STORAGE FOR A LONG PERIOD OF TIME

If the vehicle is to be stored for several months:

- Wash and wax the vehicle.
- Have the wax in the engine compartment and underbody checked.
- Clean and preserve rubber seals.
- Change engine oil.
- Drain washer fluid reservoir.
- Check coolant anti-freeze and corrosion protection.
- Adjust tire pressure to the value specified for full load.
- Park the vehicle in a dry, well ventilated place. For manual transmission, engage first or reverse gear. Prevent the vehicle from rolling.
- Do not apply the parking brake.
- Open the hood, close all doors and lock the vehicle.

- Disconnect the clamp from the negative terminal of the vehicle battery.
- Close the hood.

PUTTING BACK INTO OPERATION

When the vehicle is to be put back into operation:

- Connect the clamp to the negative terminal of the vehicle battery.
- Check tire pressure.
- Fill up the washer fluid reservoir.
- Check the engine oil level.
- Check the coolant level.
- Fit the number plate if necessary.

RADIO FREQUENCY IDENTIFICATION (RFID) TAG *

This vehicle is equipped with Radio Frequency Identification (RFID) tag*, which can be used for Electronic Toll Collection (ETC) or any other applications as decided by the Regulatory authority. The RFID tag is located on inside the windshield. Data for necessary applications will be added by the agency authorized by the Regulatory authority, from time to time. Take proper care during washing or cleaning of windshield so as to avoid any damage to the RFID tag. In case of any damage or malfunction of RFID tag, or in case of windshield replacement, contact your CHEVROLET retailer or agency authorized by the Regulatory authority for the installation of new RFID tag.

Caution
Do not touch or peel off. Do not place any sticker or other metallic components over the RFID tag neither from inside nor from outside of the windshield. Avoid exposure to chemicals or liquid solvents. This will impair the function of RFID tag. The RFID tag is tamperproof and will not function once removed from windshield.

DRIVER'S CHECKLIST

Regularly check the interior, exterior and engine compartment of the vehicle to ensure safety and reliability.

EXTERIOR

TIRES

- Inflate the tires correctly. See “Wheels and Tires” on page 9-29.
- The tire walls and treads must be free from cracks.
- The tread pattern must not contain any foreign bodies.

LIGHTS

- Check the parking lights, headlights, tail lights, turn signals, brake lights, reverse lights and fog lights (if equipped) are working properly.

OIL AND FLUID

- Check the fluid level of all reservoirs under the hood is correct.

WINDSHIELD WIPERS

- Check the conditions of wiper arms and blades (including the rear wipers, if equipped).

INTERIOR

TURNING

- Check whether the steering wheel is too loose (free play).

PARKING BRAKE

- Ensure the parking brake lever has the correct travel.

INSTRUMENT PANEL

- Check whether all the instruments, controls and warning lights on the instrument panel work properly.

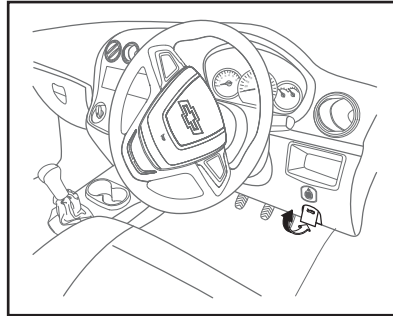
REAR VIEW MIRRORS

- Ensure all three rear view mirrors are clean and in good condition.
- Check all the rear view mirrors can be adjusted.

CONTROLS

- Check the travel of the brake pedal is correct.

HOOD



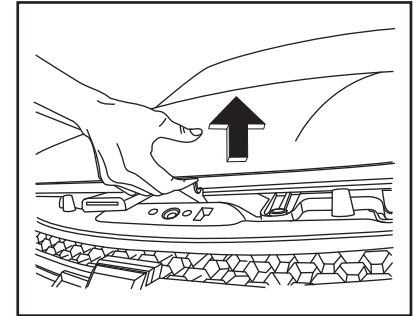
TO OPEN THE HOOD :

- Pull the hood release handle located in the lower right of instrument panel.

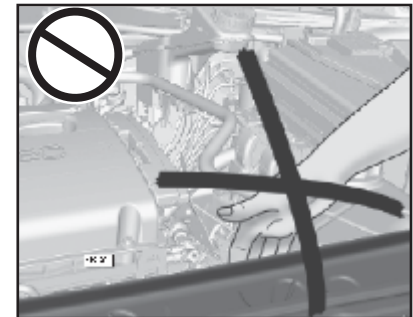
Warning

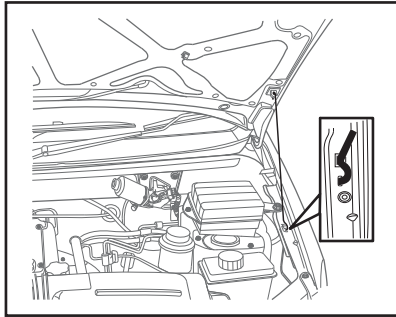
Only perform engine compartment checks when the ignition is in B/OFF position.

The cooling fan may start operating even if the ignition is in B/OFF position.



- Reach under the front edge of the hood and lift the secondary hood release handle.





- Release the hood support rod from the fixing clip.
Turn the hood support rod down and insert its free end firmly into the recess on the fender.

TO CLOSE THE HOOD :

- While holding the hood to prevent it from falling, remove the hood support rod from the recess and press it firmly into the fixing clip.
- Be sure that no-one's hands and any part of the body are close to the engine compartment and the hood edge on the vehicle body.
- Lower the hood, allowing it to drop from a height of about 30cm (1 foot).
- Make sure that the hood is securely locked.

Caution

The following precautions must be observed :

- Before driving, pull and check the front edge of the hood to ensure that the hood is securely locked.
- Do not pull the hood release handle while the vehicle is in motion.
- Do not drive the vehicle with the hood open. An open hood will obstruct the driver's vision.

Driving with an open hood could lead to collisions that will damage your vehicle and other property and cause casualties.

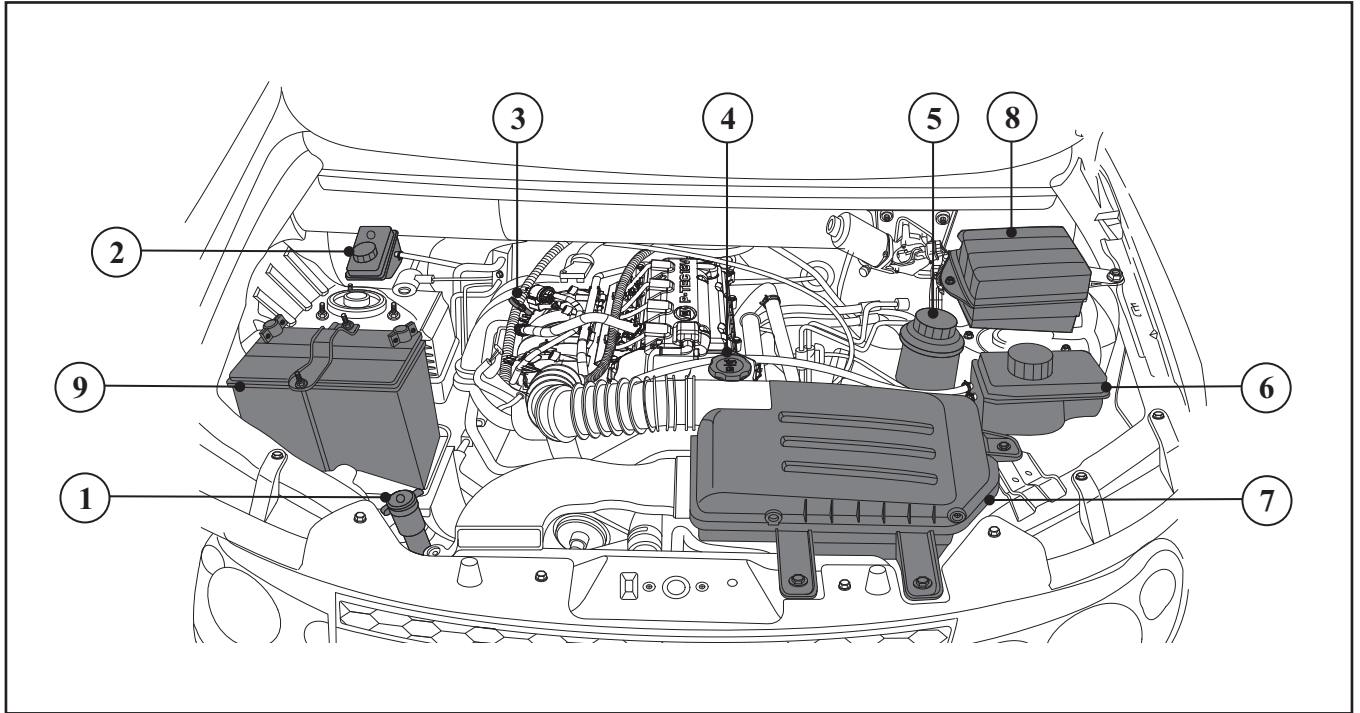
⚠ Warning

Only perform engine compartment checks when the ignition is in B/OFF position.

The cooling fan may start operating even if the ignition is in B/OFF position.

ENGINE COMPARTMENT OVERVIEW

1.4L Petrol Engine (LCU)




1. Windshield washer fluid reservoir
2. Brake fluid reservoir
3. Engine oil dipstick
4. Engine oil filler cap
5. Power steering fluid reservoir
6. Coolant reservoir
7. Air filter
8. Fuse and relay block
9. Battery

ENGINE OIL

Engine oil must be kept at correct level to ensure proper lubrication of the engine.

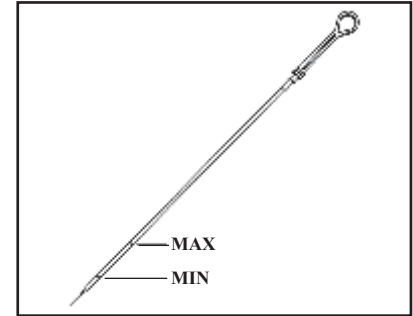
It is normal for an engine to consume some oil.

Check the oil level at regular intervals, such as when refueling.

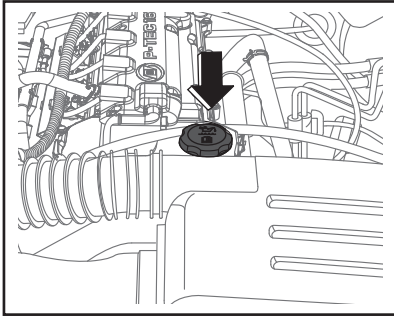
If the engine oil pressure light  on the instrument panel cluster comes on, it means you should check the oil level immediately.

CHECK THE ENGINE OIL LEVEL

1. Park the vehicle on level ground.
2. Stop the engine and wait for few minutes for the oil to drain back into the oil pan. If the engine is cold, warm up the engine for 3 to 5 minutes and then inspect after the oil drains back into the oil pan.
3. Remove the dipstick and wipe it clean.
4. Reinsert the dipstick completely.



5. Remove the dipstick again.
6. Check the oil level on the dipstick. Make sure the oil is not contaminated.
7. Check the oil level by using the oil dipstick. The level should be between the MIN and MAX limits.
8. Add engine oil of the same grade as recommended, if the level is below the MIN limit. Bring the level up to but not above the MAX limit.

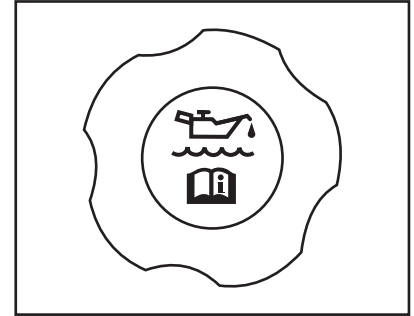


The engine oil filler cap is located on the cylinder head cover. See the “Engine Compartment Overview” on page **9-6**.

WHEN TO ADD ENGINE OIL

If the oil is below the MIN (minimum) mark, add 1L of the recommended oil and then recheck the level. See “Choosing the Right Oil Quality and Viscosity” in this section for an explanation of what kind of oil to use. For engine oil crankcase capacity, see “Recommended Fluids and Lubricants” on page **10-6**.

Open the engine oil filler cap and add enough oil of the same grade as is currently in the engine to raise the oil level mark to MAX. Do not fill over MAX mark.



See “Engine Compartment Overview” on page **9-6** for the location of the engine oil filler cap.

Push the dipstick all the way back in when through.

Fit the engine oil filler cap and tighten it.

Caution

Overfilled engine oil must be drained or suctioned out.

⚠ Warning

Engine oil is irritant and, if ingested, can cause illness or death.

Keep out of reach of children.

Avoid repeated or prolonged contact with skin.

Wash exposed areas with soap and water or hand cleaner.

Caution

Overfilling the engine with oil may affect the operation of engine.

The MAX limit mark on the dipstick must not be exceeded.

Overfilling may damage the vehicle, because:

- The engine oil consumption will be increased.
- Overflow onto spark plug.
- Excessive carbon accumulation on the engine.

CHOOSING THE RIGHT OIL QUALITY

Caution

Use of unauthorized or low quality engine oil could damage the engine.

Be sure the engine oil you use has the API SM GF4 rating.

CHOOSING THE RIGHT OIL VISCOSITY

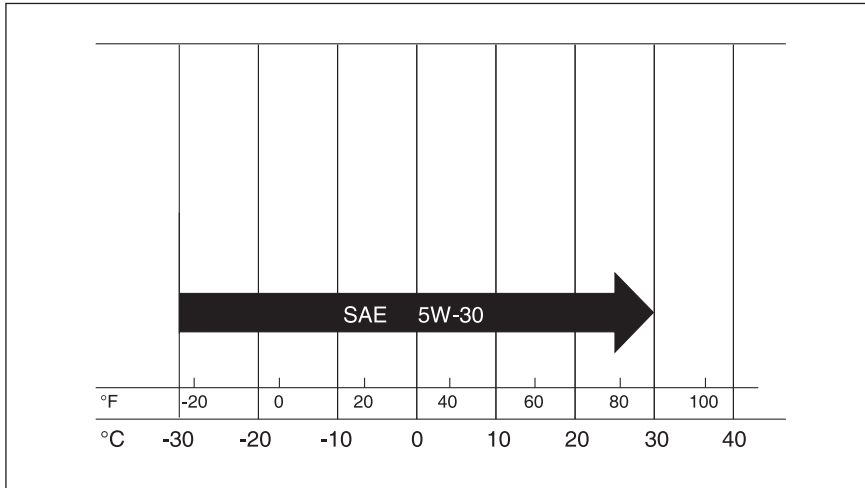
SAE 5W-30 is the recommended engine oil for your vehicle.

When choosing an oil, consider the range of temperature your vehicle will be operated in before the next oil change. Then, select the recommended oil viscosity from the chart.

Do not switch to a different viscosity in the event of brief temperature change.

Caution

Using engine oil of a viscosity other than recommended could result in engine damage and repair not covered under warranty.



ENGINE OIL ADDITIVES/ENGINE OIL FLUSHES

Do not add anything to the oil. The use of engine oil additives could cause engine damage not covered by the vehicle warranty. Engine oil system flushes are not recommended and could cause engine damage not covered by the vehicle warranty.

REPLACE ENGINE OIL AND OIL FILTER

Caution

This job requires special skills, tools and equipment.

Be sure you are competent for this job before attempting to complete it.

If you are not confident, you must have the work done by your CHEVROLET retailer.

Otherwise, you could be injured or your vehicle could be damaged.

Engine oil loses its ability to lubricate when contaminated. Make sure you change your engine oil according to the maintenance schedule.

Make sure you replace the engine oil filter each time you change the engine oil.

Under severe conditions, you must change the oil and filter more frequently than is recommended in the standard maintenance schedule.

Severe conditions include, but are not limited to:

- Frequent cold starting.
- Frequent driving in stop and go traffic.
- Frequent short trips.
- Frequent driving when the outside temperature remains below freezing.
- Prolonged idling.
- Frequent low-speed driving.
- Driving in dusty areas.

Caution

Use of unauthorized or low quality engine oil or chemical engine treatments (additives) can damage the engine and void your vehicle warranty.

⚠ Warning

Engine oil and its containers can be hazardous to your health. Avoid repeated or prolonged contact with engine oil. Clean your skin and nails with soap and water, or hand cleaner after handling engine oil. Also keep this and other toxic materials out of the reach of children. Engine oil can irritate the skin and can cause illness and even death if swallowed.

Caution

Do not dispose of used engine oil and filter with your household waste. See your local, authorized waste management facility. Used engine oil and filter contain harmful elements that may be unhealthy to you and threat to the environment.

COOLANT

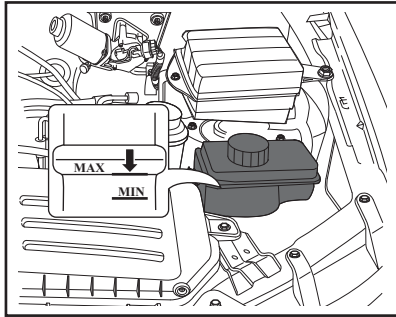
Your vehicle cooling system is filled with ethylene glycol based long life coolant.

In the correct mixture, this coolant provides the cooling and heating system with excellent protection against corrosion and freezing.

When the engine is cool, the coolant level should be between the MIN and MAX mark on the coolant reservoir. The level of coolant rises as the engine warms and drops back as the engine cools.

Caution

Plain water or the wrong mixture can damage the cooling system. Do not use plain water, alcohol or methanol antifreeze in coolant system. The engine may overheat or even catch fire. Use only General Motors India Pvt. Ltd. recommended coolant available with your CHEVROLET retailer.



If the coolant level falls below the MIN mark, refill the reservoir with General Motors India Pvt. Ltd. recommended coolant available with your CHEVROLET retailer, but only when the engine is cool.

In order to protect your vehicle in extremely cold weather, use GMI approved coolant.

Caution

In cold weather, water can freeze and crack the engine, radiator, heater core and other parts. Use the recommended coolant and the proper coolant mixture.

⚠ Warning

Scalding hot coolant and steam could be blown out under pressure, which could cause serious injury. Never remove the coolant reservoir cap when the engine and radiator are hot.

⚠ Warning

You can be burned if you spill coolant on hot engine parts. Coolant contains ethylene glycol and it will burn if the engine parts are hot enough. Do not spill coolant on a hot engine.

Caution

Coolant can be hazardous material. Avoid repeated or prolonged contact with coolant. Clean your skin and nails with soap and water after coming in contact with coolant. Keep coolant out of reach of children. Coolant can irritate the skin and can cause illness or death if swallowed.

If you are adding coolant often, this may be a sign that your engine needs maintenance. Have the CHEVROLET retailer check the vehicle cooling system. Never dispose of engine coolant by putting it in the trash, pouring it on the ground, or into sewers, streams, or bodies of water. Have the coolant changed by CHEVROLET retailer.

CHECKING COOLANT

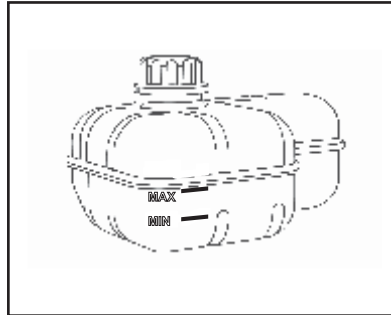
The coolant reservoir is located on the passenger side of the engine compartment. See “Engine Compartment Overview” on page 9-6 for more information on location.

Caution

If an improper coolant mixture or extra inhibitors and/or additives is used, the engine could overheat and be badly damaged. The repair cost would not be covered by the vehicle warranty. Too much water in the mixture can freeze and crack the engine, radiator, heater core, and other parts.

⚠ Warning

Turning the reservoir pressure cap when the engine and radiator are hot can allow steam and scalding liquids to blow out and burn you badly. Never turn the reservoir pressure cap—even a little—when the engine and radiator are hot.



The vehicle must be on a level surface. When the engine is cold, the coolant level should be between the MIN and MAX lines.

⚠ Warning

You can be burned if you spill coolant on hot engine parts.

Coolant contains ethylene glycol, and it will burn if the engine parts are hot enough. Do not spill coolant on a hot engine.

ADDING COOLANT

If more coolant is needed, add the proper coolant mixture at the coolant reservoir, but only when the engine is cool. See “How to Add Coolant to the Coolant Reservoir” later in this section.

When replacing the pressure cap, make sure it is hand-tight and fully seated.

Caution

It is not needed to add coolant more frequently than the recommended interval. If you are adding coolant often, this may be a sign that your engine needs maintenance.

Contact your CHEVROLET retailer for a check of the cooling system.

HOW TO ADD COOLANT TO THE COOLANT RESERVOIR

Caution

This vehicle has a specific coolant fill procedure. Failure to follow this procedure could cause the engine to overheat and be severely damaged.

If a problem yet has not been found, check to see if coolant is visible in the coolant reservoir. If coolant is visible but the coolant level is not at between the MIN and MAX lines, add only General Motors India Pvt. Ltd. recommended coolant at the coolant reservoir, but be sure the cooling system, including the coolant reservoir pressure cap, is cool before doing it. See "Engine Overheating" on page 9-15 for more information.

Caution

In cold weather, water can freeze and crack the engine, radiator, heater core and other parts. Use the recommended coolant and the proper coolant mixture.

⚠ Warning

Steam and scalding liquids from a hot cooling system can blow out and burn you badly. They are under pressure, and if you turn the coolant reservoir pressure cap—even a little—they can come out at high speed. Never turn the cap when the cooling system, including the coolant reservoir pressure cap, is hot. Wait for the cooling system and coolant reservoir pressure cap to cool if you ever have to turn the pressure cap.

⚠ Warning

You can be burned if you spill coolant on hot engine parts. Coolant contains ethylene glycol and it will burn if the engine parts are hot enough. Do not spill coolant on a hot engine.

1. Remove the coolant reservoir pressure cap when the cooling system, including the coolant reservoir pressure cap and upper radiator hose, is no longer hot.
Turn the pressure cap slowly counter clockwise about one-quarter of a turn. If a hiss sound is heard, wait for that to stop. This will allow any pressure still left to be vented out from the discharge hose.
2. Then keep turning the pressure cap slowly, and remove it.
3. Fill the coolant reservoir with the proper coolant between the MIN and MAX lines.

4. With the coolant reservoir pressure cap off, start the engine and let it run until the upper radiator hose can be felt getting hot. Watch out for the engine cooling fan.

By this time, the coolant level inside the coolant reservoir may be lower. If the level is lower, add more of the proper coolant to the coolant reservoir until the level reaches between the MIN and MAX lines.

5. Then replace the pressure cap. Be sure the pressure cap is hand-tight.

Check the level in the reservoir when the cooling system has cooled down. If the coolant is not at the proper level, repeat steps 1 to 3 and reinstall the pressure cap. If the coolant still is not at the proper level when the system cools down again, see the CHEVROLET retailer.

ENGINE OVERHEATING

There is a coolant temperature warning light in the vehicle instrument panel cluster. See “Engine Coolant Temperature Warning Light” on page 5-15.

If the engine coolant temperature gauge pointer is in the red area, or if you have any other reason to suspect the engine may be overheating:

1. Stop the vehicle.
2. Turn off the air conditioning.
3. Let the engine idle for a few minutes.
4. Be sure the cooling fan is operating.

Warning

If steam is visible, move away from vehicle until engine is cool. Steam can cause serious burns.

Note

Using A/C while driving up long hills or in heavy traffic can cause the engine overheating.

If the fan is not operating and steam is visible, perform the following:

1. Turn off engine.
2. Move away from vehicle without opening the hood.
3. Allow engine to cool.
4. When steam is no longer visible, carefully open hood.
5. Consult a CHEVROLET retailer as soon as possible.

If the fan is operating and steam is not visible, perform the following:

1. Carefully open the hood.
2. Idle engine until cool.
3. Check coolant level.

If the fan is operating, but engine temperature does not fall, perform the following:

1. Stop the engine.
2. Carefully open the hood.
3. Allow the engine to cool.

4. Check the coolant level.

If the coolant level is low, check for leaks for following components:

1. Radiator.
2. Radiator hoses.
3. Radiator connections.
4. Heater hoses.
5. Heater hose connections.
6. Water pump.

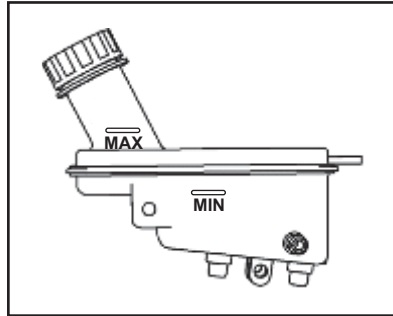
If you find a leak or other damage, or if the coolant is still leaking, consult a CHEVROLET retailer immediately.

⚠ Warning

Scalding hot coolant steam could be blown out under pressure, which could cause serious injury.

Never remove the coolant reservoir cap when engine and radiator are hot.

BRAKE FLUID



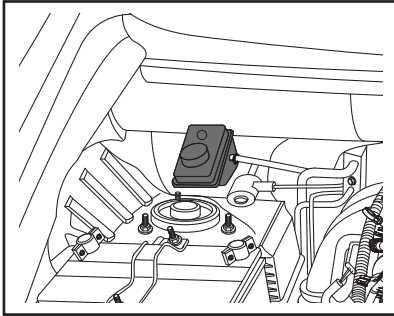
The brake fluid can absorb moisture. Too much moisture in the fluid will reduce the efficiency of the brake system. Corrosion in the hydraulic system can be prevented by changing the fluid in accordance with the instructions in this Manual.

Use only recommended brake fluid. Keep reservoir filled to the proper level. Do not allow the level to fall below MIN mark or to raise beyond the MAX mark.

A low fluid level in the brake fluid reservoir can be either an indication of a leak in the brake / clutch system or a normal indication caused by usual brake pad / lining wear. Consult your CHEVROLET retailer to determine if the system needs repair and add fluid after work is done on your hydraulic brake system if it is required.

If the brake fluid level is low, the brake system warning light (ⓘ) will come on. See “Brake System Warning Light” on page 5-16.

ADDING BRAKE FLUID



1. Thoroughly wipe and clean the area around the filler cap.

Caution

Make sure the area near the filler cap of brake reservoir is thoroughly cleaned before removing the cap.

Contaminated brake fluid can affect performance and lead to costly repairs.

2. Remove the cap.
3. Add enough recommended brake fluid to bring the level up to the MAX mark. Be careful not to spill brake fluid on the painted surfaces of the vehicle. If you do, wash it off with cold water immediately.

Caution

Brake fluid can catch fire if spilt on the engine.

Wipe off the top of the reservoir.

If the engine catches fire, it could cause personal injuries and damage to your vehicle and other property.

4. Refit the cap.

Caution

Do not dispose of used brake fluid with your household waste.

Use your local, authorized waste management facility.

Used brake fluid and their containers are hazardous. They can damage your health and the environment.

Caution

The brake fluid is irritative to skin and eyes.

Do not let brake fluid touch your skin or eyes. If you do get it in your eyes or on your skin, wash the affected area thoroughly with soap and water or hand cleaner.

TRANSMISSION FLUID

CHECK THE TRANSMISSION FLUID FOR LEAKAGE

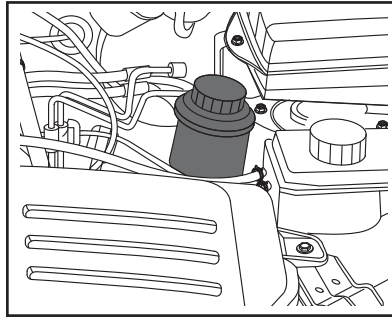
This job requires special skills and equipment. In order to prevent personal injury or vehicle damage, we suggest you to have this work done at your CHEVROLET retailer.

Note

Use of the incorrect fluid may damage the vehicle. Always use the fluid listed in “Recommended Fluids and Lubricants” on page 10-6.

POWER STEERING FLUID

CHECK THE POWER STEERING FLUID LEVEL



Check the power steering fluid level regularly.

See “Engine Compartment View” on page 9-6 for the location of the power steering fluid reservoir.

Caution

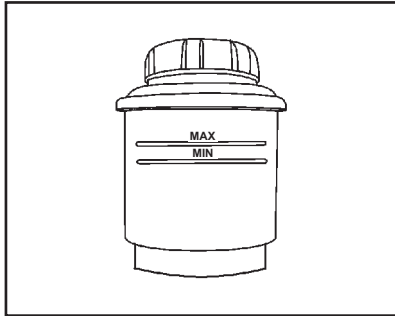
Do not operate vehicle without the required amount of power steering fluid.

Doing so can damage power steering system of your vehicle, leading to costly repairs.

1. Switch OFF the engine.
2. Check the fluid level in the reservoir. The level should be between the MIN and MAX marks.

If the fluid is below the MIN mark, fluid should be added according to the instructions in this Manual.

ADDING POWER STEERING FLUID



1. Wipe and clean the cap and top surface.
2. Remove the cap.
3. Add power steering fluid. The fluid level should be kept between the MIN and MAX marks.
4. Refit the cap.

Caution

Use of the incorrect fluid may damage the vehicle and the damages may not be covered by the vehicle's warranty. Always use the correct fluid listed in "Recommended Fluids and Lubricants" on page 10-6.

⚠ Warning

An overflow of the fluid may cause the fluid to burn or discolor paintwork. Do not overfill the reservoir.

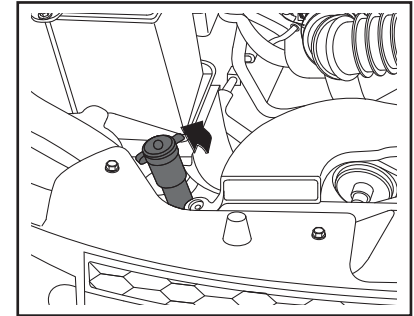
An engine fire can cause personal injuries and damage your vehicle and other property.

Caution

Extremely small amounts of contamination can cause steering system damage and cause it to not work properly.

Do not allow contaminants to contact the fluid side of the reservoir cap or from entering the reservoir.

WINDSHIELD WASHER FLUID



Before you drive, make sure the windshield washer fluid reservoir is at the appropriate level and filled with the correct solution.

In cold weather, do not fill the windshield washer fluid reservoir more than three quarters full.

Washer fluid can freeze to expand in cold temperature. Filling the reservoir too much does not allow enough expansion room to prevent possible damage to the reservoir.

Caution

When adding windshield washer fluid: It is recommended to use special ready-to-use washer fluid. If concentrated washer fluid is to be used, please add water to dilute the fluid according to instructions of the manufacturer.

Do not use plain water. The minerals or foreign substances in plain water can clog the pipes of the windshield washer.

If the air temperature is likely to fall below freezing, use windshield washer fluid which has sufficient anti-freeze properties.

Caution

Do not put water or radiator antifreeze in the windshield washer reservoir.

Water can make the solution freeze. A frozen solution could damage the windshield washer system.

The radiator antifreeze can damage your washer system and paint.

WINDSHIELD WIPERS

Keeping the windshield wipers working properly is necessary to ensure clear vision and safe driving.

Check the conditions of wiper blades regularly. Replace any wiper blade that is hard, vibrating, cracked or smeared with dirt.

The effectiveness of wipers will be reduced by foreign substances on the windshield and wiper blades. If the wiper blades are not wiping properly, clean the windshield glass and the blades with a good quality mild detergent and rinse thoroughly with water. Repeat the above procedures if necessary.

Stains of silicone resin on the glass cannot be removed. Therefore, do not apply window polisher containing silicone resin to the windshield glass.

Otherwise stripes will appear on the glass and the driver's vision will be affected.

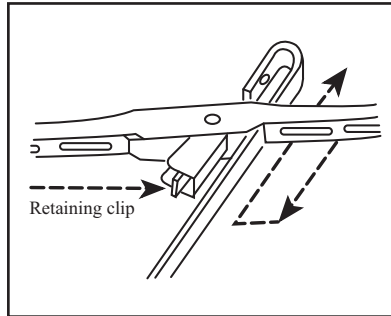
Do not use solvents, gasoline, kerosene or paint thinners to wash the wipers. These substances are corrosive and could damage the wipers and painted surfaces.

Caution

Do not run the wiper blades on dry/dusty glass. Always spray washer fluid from windshield nozzle before switching on wipers.

The effectiveness of wipers will be reduced by foreign substances on the windshield and wiper blades such as tree leaves, dust, sand, bird droppings etc. Clean the glass to remove foreign substances before using wipers.

REPLACING WIPER BLADES



1. Press and hold the blade retaining clip.
2. Remove the wiper blade from the wiper arm.
3. Fit a new wiper blade onto the wiper arm.

AIR FILTER

Inspect and replace the air filter/cleaner element regularly according to the maintenance schedule in this Manual.

Caution

The engine needs clean air to operate properly.

Do not operate your vehicle without the air cleaner element installed.

Driving without the air cleaner element properly installed can damage your engine.

Follow the below procedure for AIS element inspection and cleaning during service interval for GM carlines

1. Refer to scheduled maintenance information for the appropriate intervals for changing and inspecting the engine air filter.
2. Do not start your engine with the engine air filter housing open and do not open the air filter housing while the engine is running.
3. Before removing the engine air

filter, ensure that the engine air filter housing and nearby components are free of dirt and debris.

4. Remove the engine air filter from the vehicle (refer to the engine air filter replacement section in service manual).
5. Lightly tap and shake the engine air filter (away from the vehicle) to release loose dust and dirt.
6. Inspect the engine air filter for damage.
7. If the engine air filter is found damaged before change interval then replacement of new filter is require.

Note

Do not clean the engine air filter with water or compressed air.

DRIVE BELT

In order for the alternator, power steering pump and air conditioning compressor to function properly, the drive belt should be in good condition and should be adjusted properly.

Replace the drive belt if it is worn, cracked, or frayed.

Caution

The engine could be started unexpectedly if the key is left in the ignition.

Do not leave the key in the ignition while checking the drive belt.

Moving engine parts can cause serious injuries while the engine is running.

BATTERY

Your vehicle is equipped with a battery that requires no periodic maintenance.

Caution

Batteries contain acid that can burn you badly, cause explosions and damage painted surfaces.

Do not let battery fluid touch your skin or clothing.

Keep the battery away from flames, sparks and smoking materials.

CLEANING BATTERY TERMINALS

1. Turn OFF the ignition and remove the key.
2. Use a wrench to loosen and remove the battery cable clamps from the terminals. Always disconnect the battery negative (-) terminal first.
3. Use a wire brush or a terminal cleaning tool to clean the terminals.

4. Check the battery terminals for white or bluish powder which is a sign of corrosion.
5. Remove any corrosion with a solution of baking soda and water. The solution will bubble and turn brown.
6. When the bubbling stops, wash the solution off with plain water and dry the battery with a cloth or paper towel.
7. Reconnect and tighten the positive (+) terminal, then the negative (-) terminal. Always reconnect the negative terminal (-) last.
8. Coat the terminals with petroleum jelly to prevent corrosion.

Note

Always reconnect the positive (+) terminal first; always disconnect the negative (-) terminal first.

Caution
<p>When reconnecting the cable to the battery, be careful to ensure the clamps are fully seated, and then tighten the retaining bolts so the clamps will not vibrate loose.</p> <p>Attach the red cable to the positive (+) battery terminal and the black cable to the negative (-) battery terminal.</p> <p>Connecting the battery cables to the wrong terminals can result in injury and damage to the vehicle and other property.</p>

Caution
<p>Batteries contain toxic materials. Used batteries are detrimental to health and environment</p> <p>Batteries do not belong in household waste. They must be disposed off at an appropriate recycling collection point.</p>

BATTERY MAINTENANCE

To extend the life of your vehicle battery, do the following:

- Keep the battery mounted securely.
- Keep the top of the battery clean and dry.
- Keep the terminals and connections clean, tight and coated with petroleum jelly.
- Immediately rinse off any spilt electrolyte using a solution of water and baking soda.
- If the vehicle is not going to be driven for an extended period of time, disconnect the cable from the negative (-) terminal of the battery.
- Charge the disconnected battery every six weeks.

Note

Remove battery from vehicle while charging & refilling.

⚠ Warning

Keep smoking materials away from the battery to avoid flames or sparks when the battery is checked because the explosive gas could be occurred.

If the battery explodes, it can result in damages of your vehicle and serious injury or death.

Avoid skin contact with battery acid because it can cause damage by contained highly corrosive and toxic sulfuric acid.

If you accidentally get it on your skin, wash with water and get medical help immediately.

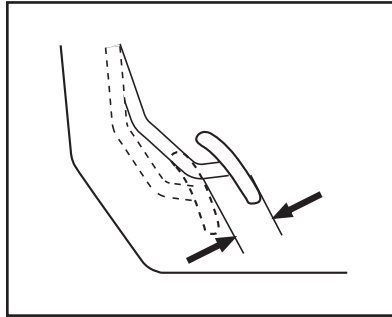
Keep batteries out of the reach of children because it contains sulfuric acid and gas.

Do not allow battery acid to contact your skin, eyes, clothing or paint.

Do not open and tilt the battery.

BRAKE PEDAL

CHECKING THE BRAKE PEDAL FREE PLAY



Brake Pedal Free Play: 6-11 mm

1. Switch OFF the engine.
2. Press the brake pedal several times to eliminate the vacuum in the brake system.
3. Press the brake pedal by hand and measure the distance the pedal moves until there is a slight resistance.
4. If the brake pedal free play differs from the specification in this Manual, consult your CHEVROLET retailer to adjust the brakes.

PARKING BRAKE

CHECKING THE PARKING BRAKE TRAVEL

The parking brake lever travel must be 6-8 notches, with a max force of approximately 400 N.

Check the parking brake travel by the following steps:

1. Switch OFF the engine.
2. Apply the parking brake and count the notch clicks. If the number of clicks you feel you are applying differs from the above specification, consult your CHEVROLET retailer to adjust the parking brake.

BULB REPLACEMENT

Use only the same bulb type for replacement. See “Bulb Specifications” on page 11-5.

Before replacing a bulb, turn OFF the ignition switch and the respective switches or close the doors.

For any bulb replacement, seek assistance from your CHEVROLET retailer.

Warning

The same rating of the bulb to be used during replacement and any usage of higher wattage bulbs can cause thermal issues such as melting of lamp housing and its surrounding parts. Warranty would be void if higher wattage bulbs are being used.

HALOGEN BULBS

Caution

Halogen bulbs contain pressurized gas. Always handle halogen bulbs with care and dispose off them properly.

- Wear eye protection during handling of bulb.
- Protect the bulb to avoid abrasion and scratches.
- When the bulb is illuminated and not in a sealed installation, protect it from contact with liquids.
- Only illuminate the bulb when it is installed in a lamp.
- Replace any headlight that is cracked or damaged.
- Do not touch the glass shell of replaced bulb with your fingers or hands.
- Keep the bulbs away from children.
- Dispose off used bulbs with care. Otherwise the bulbs can explode.

HEADLAMP AIMING

Headlamp aim has been preset and should need no further adjustment. If the vehicle is damaged in a crash, the headlamp aim may be affected. If adjustment to the headlamps is necessary, see your CHEVROLET retailer.

Note

After driving in heavy rain or washing, some exterior lamp lenses could appear frosty.

This condition is caused by the temperature difference between the lamp inside and outside.

This is similar to the condensation on your windows inside your vehicle during the rain and doesn't indicate a problem with your vehicle.

If the water leaks into the light bulb circuitry, have the vehicle checked, by your CHEVROLET retailer.

ELECTRICAL SYSTEM

FUSES

The wiring circuits in the vehicle are protected from short circuits by a combination of fuses. This greatly reduces the chance of damage caused by electrical problems.

Data on the replacement fuse must match the data on the defective fuse.

Before replacing a fuse, turn off the respective switch and the ignition.

A blown fuse can be recognised by its melted wire. Do not replace the fuse until the cause of the fault has been remedied.

Some functions are protected by several fuses.

Fuses may also be inserted without existence of a function.

Note

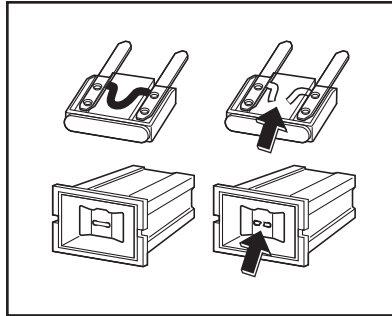
Not all fuse box descriptions in this Manual may apply to your vehicle.

When inspecting the fuse box refer to the fuse box label.

FUSE EXTRACTOR

A fuse extractor may be located in the fuse box in the engine compartment.

Place the fuse extractor on the various types of fuse from the top or side, and withdraw fuse.



Replacing a Fuse:

1. Open the fuse block cover.
2. Identify a defective fuse by its melted wire.

3. Use the fuse extractor to remove the blown fuse. The fuse extractor is located in the engine compartment fuse block.

Caution

Do not use a tool that can conduct electricity when removing a blown fuse. Only use a fuse extractor.

Using a conductor such as metal can cause a short circuit, damage the electrical system or start a fire. Serious injury could occur.

4. Identify the reason for the fuse blowing and solve the problem.
5. Replace the fuse with a new one of the correct rating. See the layout of fuse blocks later in this section.

Caution

Using a fuse substitute or a fuse of the wrong type or rating can damage the electrical system or even start a fire.

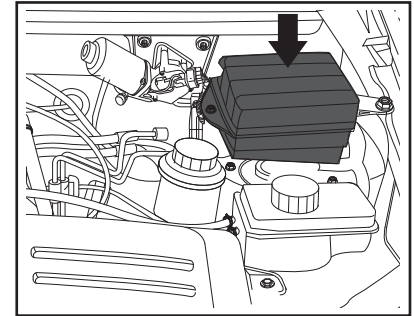
Be sure to use fuses of the correct size and rating. Otherwise personal injuries and damage to your vehicle and other property could be caused.

Note

The detailed specification of the fuses are as follows :

- Orange : 5A
- Red : 10A
- Blue : 15A
- Yellow : 20A
- White : 25A
- Green : 30A

ENGINE COMPARTMENT FUSE BLOCK

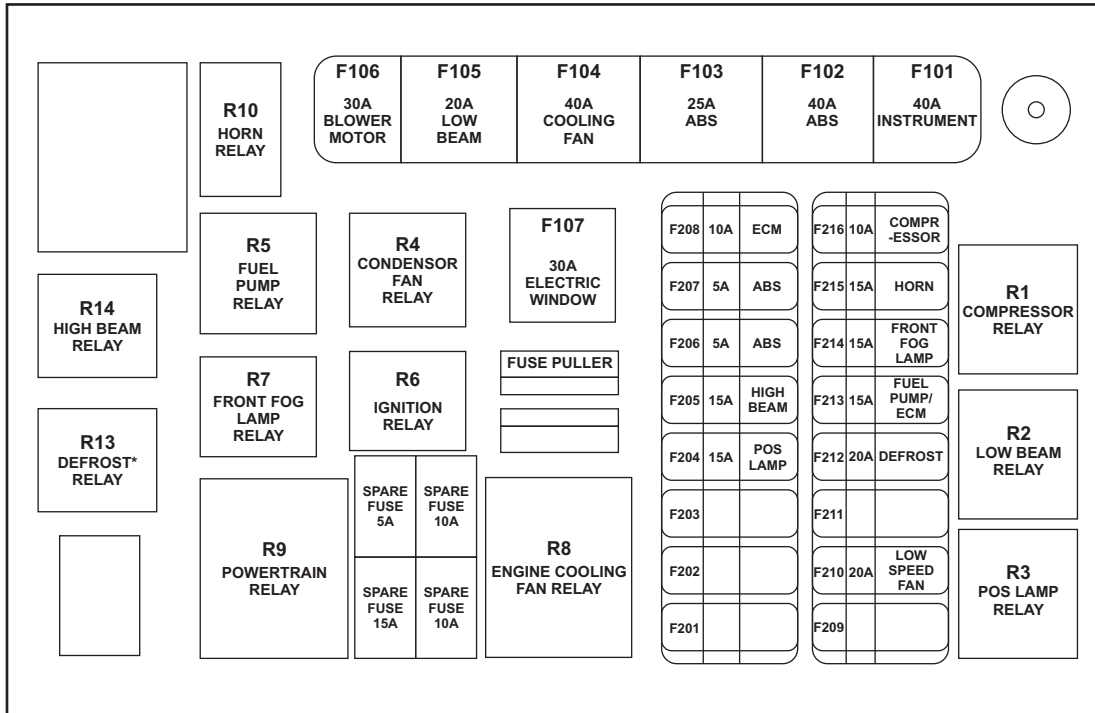


The engine compartment fuse block is located on the left side of the engine compartment, near the coolant reservoir.

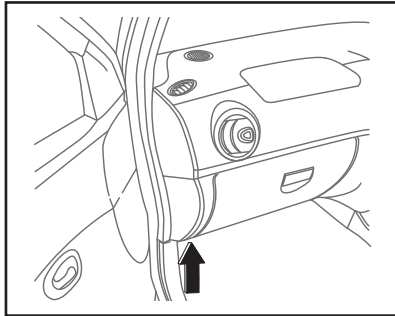
Caution

Spilling liquid on any electrical component on the vehicle may damage it. Always keep the covers on any electrical component.

ENGINE COMPARTMENT FUSE BLOCK



INSTRUMENT PANEL FUSE BLOCK



The instrument panel fuse block is located at the lower passenger side of instrument panel.

INSTRUMENT PANEL FUSE BLOCK

F16 START MOTOR 30A	F8 CAR POWER 20A
F15 CENTER DOOR LOCK 20A	F7 CIGAR LIGHTER 15A
F14 STOP LAMP 10A	F6 RADIO 10A
F13 HAZARD LAMP 15A	F5 BACKUP LAMP 10A
F12 ROOM LAMP 15A	F4 TOP EVAPORATOR 10A
	F3 AUTO MIRROR 5A
F10 AIRBAG 10A	F2 REAR WIPER 10A (LS)/ 15A (LT/LTZ)
F9 CLUSTER 5A	F1 FRONT WIPER 15A

WHEELS AND TIRES

TIRES

Factory-fitted tires are matched to this vehicle, offering the most effective combination of ride comfort, tread life and performance.

Warning

- Poorly maintained and improperly used tires are dangerous. Overloading the tires can cause overheating as a result of too much flexing. There could be a blowout and a serious crash.
- Underinflated tires pose the same danger as overloaded tires. The resulting crash could cause serious injury. Check all tires frequently to maintain the recommended pressure. Tire pressure should be checked when the tires are cold.

(Continued)

Warning (Continued)

- Overinflated tires are more likely to be cut, punctured, or broken by a sudden impact - such as when hitting a pothole. Keep tires at the recommended pressure.
- Worn or old tires can cause a crash. If the tread is badly worn, replace them.
- Replace any tires that have been damaged by impacts with potholes, curbs, etc.
- Improperly repaired tires can cause a crash. Only the retailer or an authorized tire service center should repair, replace, dismount, and mount the tires.
- Do not spin the tires in excess of 56 km/h (35 mph) on slippery surfaces such as snow, mud, ice, etc. Excessive spinning may cause the tires to explode.

Driving over sharp objects can damage the tires and wheels. If some objects are unavoidable, drive over them slowly and at a right angle, if possible.

When parking, avoid making contact with the curb.

WINTER TIRES

Consider installing winter tires on the vehicle if frequent driving on snow or ice covered roads is expected. All season tires provide good overall performance on most surfaces but they may not offer the traction you would like or the same level of performance as winter tires on snow or ice covered roads.

Winter tires, in general, are designed for increased traction on snow and ice covered roads. With winter tires, there may be decreased dry road traction, increased road noise, and shorter tread life. After changing to winter tires, be alert for changes in vehicle handling and braking.

See your CHEVROLET retailer for details regarding winter tire availability and proper tire selection. Using incorrect winter tires may adversely affect stability system performance. Also, see “Buying New Tires” on page 9-36.

If using snow tires:

- Use them on all four wheels.
- Never exceed the maximum speed specified by the tire manufacturer.
- Always use the tire pressure specified by the tire manufacturer.

Winter tires with the same speed rating as the original equipment tires may not be available for H, V, W, Y, and ZR speed rated tires. If winter tires with a lower speed rating are chosen, never exceed the tire's maximum speed capability.

TIRE DESIGNATIONS

E.g. **215/60 R 16 95 H**

215 : Tyre width, mm

60 : Cross-section ratio (tire height to tire width), %

R : Belt type : Radial

RF : Type : Run Flat

16 : Wheel diameter, inches

95 : Load index e.g. 95 is equivalent to 690 kg

H : Speed code letter

Speed code letter:

Q : up to 160 km/h (100mph)

S : up to 180 km/h (112mph)

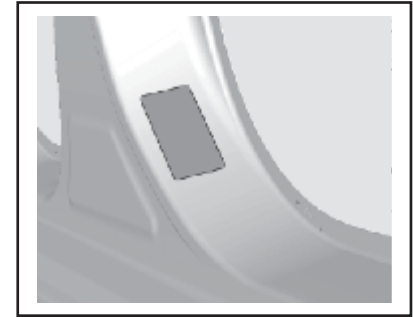
T : up to 190 km/h (118mph)

H : up to 210 km/h (130mph)

V : up to 240 km/h (150mph)

W : up to 270 km/h (168mph)

TIRE PRESSURE



Check the pressure of cold tires at least once a month and before any long journey. Do not forget the spare wheel.

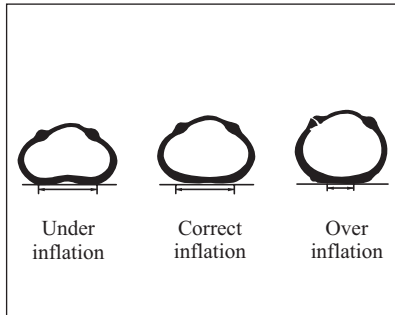
Unscrew the valve cap.

The tire pressure label is on the driver's door frame.

The tire pressure data refers to cold tires. It applies to summer and winter tires.

Always inflate the spare tire to the pressure specified for full load.

Incorrect tire pressures will impair safety, vehicle handling, comfort and fuel economy and will increase tire wear.



Caution

Neither tire underinflation nor overinflation is good.

Underinflated tires, or tires that do not have enough air, can result in:


- Tire overloading and overheating which could lead to a blowout.
- Premature or irregular wear.
- Poor handling.
- Reduced fuel economy.

Overinflated tires, or tires that have too much air, can result in:

- Unusual wear.
- Poor handling.
- Rough ride.
- Needless damage from road hazards.


⚠ Warning

If the pressure is too low, this can result in considerable tire warmup and internal damage, leading to tread separation and even to tire blow-out at high speeds.



TIRE AND SEATING INFORMATION

OCCUPANTS	TOTAL	7/8	FRONT	2	REAR	5/6
------------------	--------------	-----	--------------	---	-------------	-----

TIRE	SIZE	COLD TIRE PRESSURE	
FRONT	175/70R14 LT	CURB 220kpa, 32psi GVW 250kpa, 36psi	
REAR	175/70R14 LT	CURB 220kpa, 32psi GVW 320kpa, 46psi	

WHEN TO CHECK

The tire pressure should be checked each time you fill the fuel tank or at least once a month using a tire pressure gauge.

Check the inflation pressure when the tires are cold. Warm tires will produce an inaccurate reading. Tires can become warm after driving more than 1.6 km (1 mile) and stay warm for up to three hours after stopping.

HOW TO CHECK

Use an accurate tire pressure gauge to check the pressure of the tires when they are cold. Securely retighten the valve caps after checking the tire inflation pressure.

TREAD DEPTH

Check tread depth at regular intervals.

Tires should be replaced for safety reasons at a tread depth of 2-3 mm (4mm for winter tires).



The legally permissible minimum tread depth (1.6 mm) has been reached when the tread has worn down as far as one of the tread wear indicators (TWI). Their position is indicated by markings on the sidewall.

If there is more wear at the front than the rear, swap round front wheels and rear wheels.

Tires age, even if they are not used. We recommend tire replacement every 6 years.

TIRE INSPECTION

Regularly inspect the vehicle's tires, including the spare tire, if the vehicle has one, for signs of wear or damage. See "When it is Time for New Tires" on page 9-35 for more information.

Always remove the tires if any of the following statements are true:

- You can see the indicators at three or more places around the tire.
- You can see cord or fabric showing through the tire's rubber.
- The tread or sidewall is cracked, cut, or snagged deep enough to show cord or fabric.
- The tire has a bump, bulge, or split.
- The tire has a puncture, cut, or other damage that cannot be repaired well because of the size or location of the damage.
- Check the wheels for damage.

Tire defects including those above can cause loss of control of the vehicle, resulting in a possible collision.

If the tires or wheels are damaged or show abnormal wear see your CHEVROLET retailer.

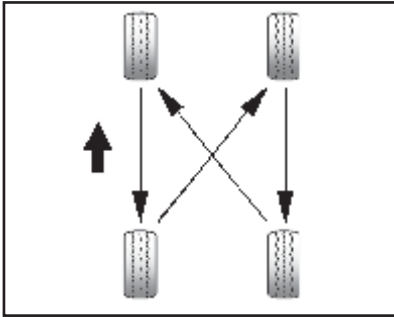
For reasons of safety, tires should be replaced when their tread depth has worn down to 2 to 3 mm (winter tires : 4mm).

Warning

Use the recommended wheels and wheel lug nuts/bolts only.

Otherwise, you can lose control of your vehicle and cause a collision that can result in injuries or damage to your vehicle or other property.

TIRE ROTATION



Normally, the front tires wear faster than the rear tires.

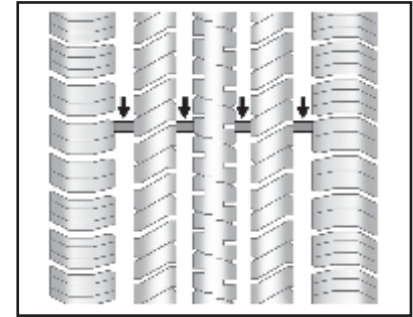
To prolong the life of the tires and avoid uneven treadwear:

1. Rotate the tires using the rotation pattern shown if the front tires show greater wear than the rear tires.
2. Maintain the correct tire pressure.
3. Tighten the lug nuts.

Lightly coat the center of the wheel hub with wheel bearing grease after a wheel change or tire rotation to prevent corrosion or rust build-up.

Do not get grease on the flat wheel mounting surface or on the wheel nuts or bolts.

WHEN IT IS TIME FOR NEW TIRES



Factors such as maintenance, temperatures, driving speeds, vehicle loading, and road conditions affect the wear rate of the tires.

Treadwear indicators are one way to tell when it is time for new tires. Treadwear indicators appear when the tires have only 1.6mm (1/16 in) or less of tread remaining. See “Tire Inspection” on page 9-34 and “Tire Rotation” on page 9-35 for more information.

The rubber in tires ages over time. This also applies for the spare tire, if the

vehicle has one, even if it is never used. Multiple conditions including temperatures, loading conditions, inflation pressure and maintenance affect how fast aging takes place. Tires will typically need to be replaced due to wear before they may need to be replaced due to age. Consult the tire manufacturer for more information on when tires should be replaced.

Tires age when stored normally mounted on a parked vehicle. Park a vehicle that will be stored for at least a month in a cool, dry, clean area away from direct sunlight to slow aging. This area should be free of grease, gasoline, or other substances that can deteriorate rubber.

Parking for an extended period can cause flat spots on the tires that may result in vibrations while driving. When storing a vehicle for at least a month, remove the tires or raise the vehicle to reduce the weight from the tires.

BUYING NEW TIRES

This vehicle was delivered with radial tires. We recommend using radial tire of the same size, design, tread wear, temperature and speed rating when replacing them.

Warning

Tires could explode during improper service. Attempting to mount or dismount a tire could cause injury or death. Only your CHEVROLET retailer or authorized tire service center should mount or dismount the tires.

Warning

Mixing tires of different sizes, brands, or types may cause loss of control of the vehicle, resulting in a crash or other vehicle damage. Use the correct size, brand, and type of tires on all wheels.

DIFFERENT SIZE TIRES AND WHEELS

If wheels or tires are installed that are a different size than the original equipment wheels and tires, vehicle performance, including its braking, ride and handling characteristics, stability, and resistance to rollover may be affected. If the vehicle has electronic systems such as antilock brakes, the performance can also be affected.

Warning

If different sized wheels are used, there may not be an acceptable level of performance and safety if tires not recommended for those wheels are selected. This increases the chance of a crash and serious injury. Only use GM specific wheel and tire systems developed for the vehicle, and have them properly installed by a GM certified technician.

See “Buying New Tires” on page 9-36 and “Accessories and Modifications” on page 9-2.

WHEEL ALIGNMENT AND TIRE BALANCE

The tires and wheels were aligned and balanced at the factory to provide the longest tire life and best overall performance. Adjustments to wheel alignment and tire balancing will not be necessary on a regular basis. However, check the alignment if there is unusual tire wear or if the vehicle is pulling to one side or the other. If the vehicle vibrates when driving on a smooth road, the tires and wheels might need to be rebalanced. See your CHEVROLET retailer for proper diagnosis.

WHEEL REPLACEMENT

Replace any wheel that is bent, cracked, or badly rusted or corroded. If wheel nuts keep coming loose, the wheel, wheel bolts, and wheel nuts should be replaced. If the wheel leaks air, replace it. Some aluminum wheels can be repaired. See your CHEVROLET retailer if any of these conditions exist.

Your CHEVROLET retailer will know the kind of wheel that is needed.

Each new wheel should have the same load-carrying capacity, diameter, width, offset, and be mounted the same way as the one it replaces.

Replace wheels, wheel bolts, wheel nuts, with new GM original equipment parts.

Warning

Using the wrong replacement wheels, wheel bolts, or wheel nuts can be dangerous. It could affect the braking and handling of the vehicle. Tires can lose air, and cause loss of control, causing a crash. Always use the correct wheel, wheel bolts, and wheel nuts for replacement.

Caution

The wrong wheel can also cause problems with bearing life, brake cooling, speedometer or odometer calibration, headlamp aim, bumper height, vehicle ground clearance, and tire clearance to the body and chassis.

USED REPLACEMENT WHEELS

Warning

Replacing a wheel with a used one is dangerous. How it has been used or how far it has been driven may be unknown. It could fail suddenly and cause a crash. When replacing wheels, use a new GM original equipment wheel.

IF A TIRE GOES FLAT

It is unusual for a tire to blow out while driving, especially if the tires are maintained properly. See “Tires” on page 9-29. If air goes out of a tire, it is much more likely to leak out slowly. But if there is ever a blowout, here are a few tips about what to expect and what to do:

If a front tire fails, the flat tire creates a drag that pulls the vehicle towards that side. Take your foot off the accelerator pedal and grip the steering wheel firmly. Steer to maintain lane position, and then gently brake to a stop, well off the road, if possible.

A rear blowout, particularly on a curve, acts much like a skid and may require the same correction as used in a skid. Stop pressing the accelerator pedal and steer to straighten the vehicle. It may be very bumpy and noisy. Gently brake to a stop, well off the road, if possible.

Warning

Driving on a flat tire will cause permanent damage to the tire. Re-inflating a tire after it has been driven on while severely underinflated or flat may cause a blowout and a serious crash. Never attempt to re-inflate a tire that has been driven on while severely underinflated or flat. Have your CHEVROLET retailer or an authorized tire service center repair or replace the flat tire as soon as possible.

Warning

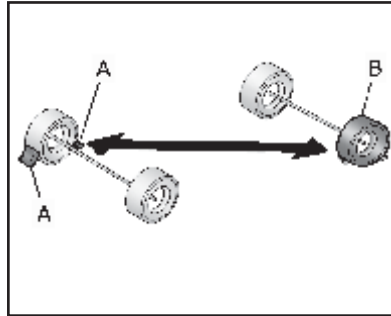
Lifting a vehicle and getting under it to do maintenance or repairs is dangerous without the appropriate safety equipment and training. If a jack is provided with the vehicle, it is designed only for changing a flat tire. If it is used for anything else, you or others could be badly injured or killed if the vehicle slips off the jack. If a jack is provided with the vehicle, only use it for changing a flat tire.

If a tire goes flat, avoid further tire and wheel damage by driving slowly to a level place, well off the road, if possible. Turn on the hazard warning flashers. See “Hazard Warning Flashers” on page 6-4.

⚠ Warning

Changing a tire can be dangerous. The vehicle can slip off the jack and roll over or fall causing injury or death. Find a level place to change the tire. To help prevent the vehicle from moving:

1. Set the parking brake firmly.
2. Shift manual transmission in 1 (First) or R (Reverse).
3. Turn OFF the engine and do not restart while the vehicle is raised.
4. Do not allow passengers to remain in the vehicle.
5. Place wheel blocks on both sides of the tire at the opposite corner of the tire being changed.



This vehicle may come with a jack and spare tire. To use the jacking equipment to change a spare tire safely, follow the instructions below. Then see “Tire Changing” on page 9-39.

When the vehicle has a flat tire (B), use the following example as a guide to assist you in the placement of wheel blocks (A).

- A. Wheel Block
- B. Flat Tire

TIRE CHANGING

⚠ Warning

Driving with a flat tire (even in a very short distance) may result damage beyond repair.

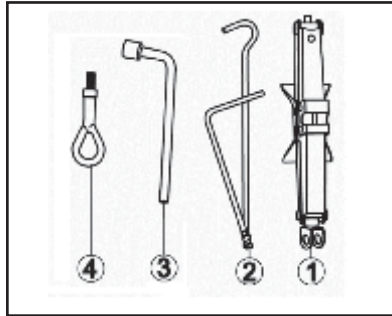
⚠ Warning

Observe the following instructions when changing a wheel:

- Never position yourself below a vehicle when it is supported by a jack.
- Never let the engine continue to run or start the engine while changing a wheel.
- Only use the jack when changing a wheel.

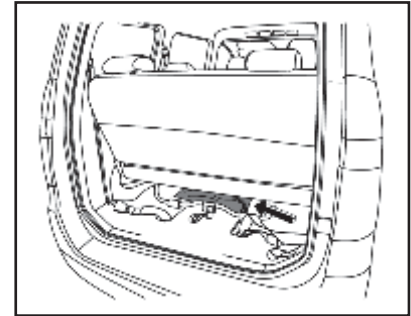
BEFORE JACKING UP THE VEHICLE:

1. Park the vehicle on the level and solid road surface, if possible.
2. Turn OFF the engine.
3. Turn on the hazard warning flashers and apply the parking brake.
4. Place the gear shift lever of transmission to the first gear or reverse gear position.
5. All passengers leave the vehicle.
6. Use a wood block or stone to block the wheel diagonally opposite to the tire to be changed.
7. Place the warning triangle at a proper position behind the rear of vehicle.



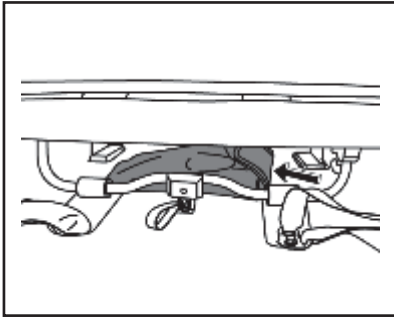
JACK AND TOOL KIT

1. Jack
2. Jack handle
3. Wheel nut wrench
4. Towing hook



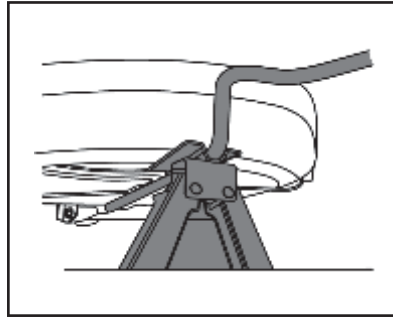
LOCATION OF JACK AND TOOL KIT

The jack and vehicle tool kit are secured and stored under the third row seat.



REMOVAL OF JACK AND TOOL KIT

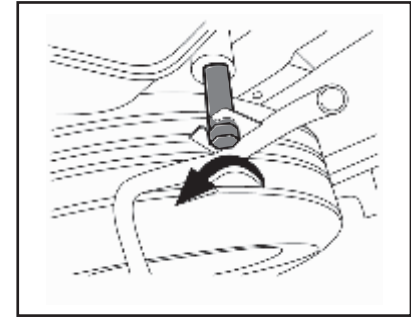
Remove the jack and tool kit bag from underneath of the third row seat. Remove the tools from the bag after unstrapping and opening the cover.



REMOVAL OF SPARE TIRE

The spare tire is located on the spare tire support bracket at the rear bottom of the vehicle.

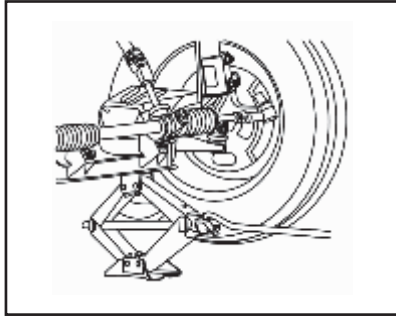
1. Use the jack to hold against the spare tire support bracket as shown in the above illustration.



2. Use wheel wrench to loosen the bolt from the support bracket to lower the spare tire.
3. Lower the jack and then remove the spare tire from the location.

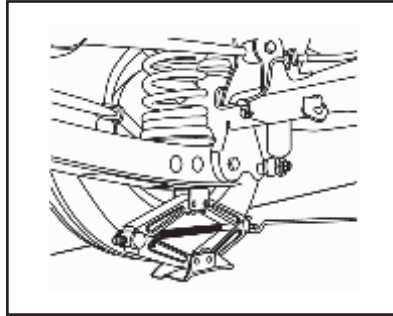
INSTALLATION SEQUENCE :

Put the spare tire on the support bracket and install it in place. Lift the support bracket with hands and then place the jack under the support bracket. Raise the jack until the spare tire reaches the required position, tighten the bolt using the wheel wrench.



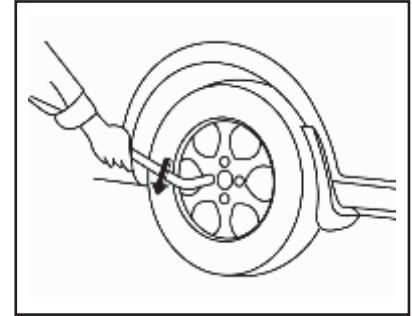
SUPPORTING LOCATION OF THE JACK AT VEHICLE FRONT AXLE:

Set the jack against the underneath of the front cross member.



REAR AXLE (COIL SPRING):

Set the jack against the underneath of the rear suspension swing arm.

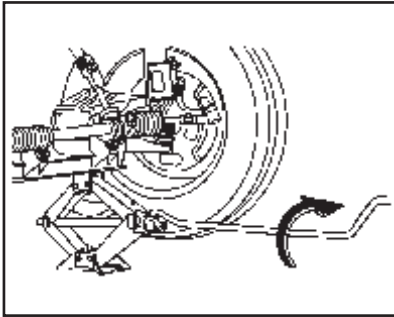


REMOVAL OF FLAT TIRE

1. Do a safety check before proceeding. See "If a Tire Goes Flat" on page **9-38**.

Call CHEVROLET retailer for assistance if it is not safe to jack the vehicle or change the tire safely.

2. Use the wheel wrench to loosen all the wheel nuts. Do not remove any of the nuts until the wheel is off the ground.



3. Insert the jack handle into the jack and rotate the jack handle clockwise to lift the head a little.
4. Position the jack vertically at the front or rear axle jacking point closest to the wheel being changed. Make sure the jack lift head is evenly touching the underneath member of the vehicle.

⚠ Warning

Raising the vehicle with the jack improperly positioned can damage the vehicle and even make the vehicle fall. To help avoid personal injury and vehicle damage, be sure to fit the jack lift head into the proper location before raising the vehicle.

5. Put the spare tire near by you.
6. Turn the jack handle clockwise until the lifting head of the jack fits firmly into the appropriate location and the tire is off the ground about 3cm.

Do not raise the vehicle more than it is necessary to change the tire.

Caution

As the jack begins to raise the vehicle, make sure jack is properly placed so it will not slip.

⚠ Warning

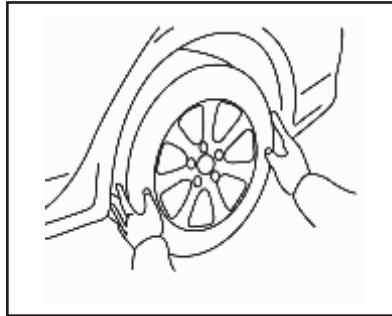
Getting under a vehicle when it is jacked up is dangerous. If the vehicle slips off the jack you could be badly injured or killed. Never get under a vehicle when it is supported only by a jack.

⚠ Warning

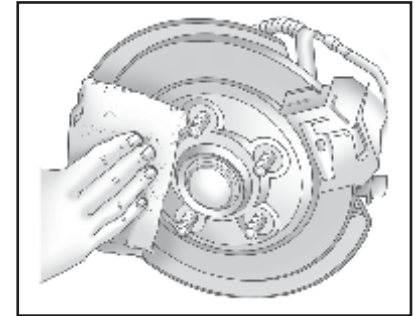
Lifting a vehicle and getting under it to do maintenance or repairs is dangerous without the appropriate safety equipment and training. If a jack is provided with the vehicle, it is designed only for changing a flat tire. If it is used for anything else, you or others could be badly injured or killed if the vehicle slips off the jack. If a jack is provided with the vehicle, only use it for changing a flat tire.

Caution

Make sure that the jack lift head is in the correct position or you may damage your vehicle. The repairs would not be covered by your warranty.



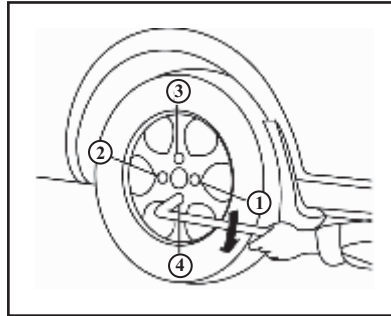
7. Remove all the wheel nuts.
8. Use the screw driver to remove the wheel cover if equipped.
9. Remove the flat tire.



10. Remove any rust or dirt from the wheel bolts, mounting surfaces and spare wheel.
11. Install the spare tire.

⚠ Warning

Rust or dirt on a wheel, or on the parts to which it is fastened, can make wheel nuts become loose after time. The wheel could come off and cause an accident. When changing a wheel, remove any rust or dirt from places where the wheel attaches to the vehicle. In an emergency, a cloth or a paper towel can be used; however, use a scraper or wire brush later to remove all rust or dirt.

**INSTALL THE SPARE TIRE**

1. Install the spare tire.
2. Place the spare tire on the wheel mounting surface.
3. Install the wheel cover if equipped.
4. Reinstall the wheel nuts. Tighten each nut by hand until the wheel is held against the hub.

⚠ Warning

Never use oil or grease on bolts or nuts because the nuts might come loose. The vehicle's wheel could fall off, causing a crash.

5. Turn the jack handle counter clockwise to lower the vehicle to ground.
6. Tighten the wheel nuts to 90 Nm ~ 110 Nm in a crisscross sequence as shown.
7. Lower the jack all the way and remove it from under the vehicle.

Caution

Improperly tightened wheel nuts can lead to brake pulsation and rotor damage. To avoid expensive brake repairs, evenly tighten the wheel nuts in the proper sequence and to the proper torque specification.

⚠ Warning

Wheel nuts that are improperly or incorrectly tightened can cause the nuts to become loose or breakage of bolts and cause the wheels to become loose or come off. The wheel nuts should be tightened with a torque wrench to the proper torque specification (90 Nm ~ 110 Nm) at your CHEVROLET retailer workshop after self-replacing.

8. Check the tire pressure
9. Store the flat tire in the rear compartment following the Installation Sequence on page 9-41.
10. Have the tire fixed as soon as you can. Reinstall it on the vehicle after balancing.

TOOL PACKING STEPS

1. Place the wheel wrench and tow hook into the specified tool kit bag (red color).
2. Put the jack and jack handle into the jack assembly bag (black color).
3. Place the tool kit bag inside the jack assembly bag.
4. Bundle up the jack and tool kit bag tightly with the strap provided.
5. Store the jack and tool kit bag under the third row seat and secure it in their original position.

⚠ Warning

Storing a jack, a tire, or other equipment in the passenger compartment of the vehicle could cause injury. In a sudden stop or collision, loose equipment could strike someone. Store all these in the proper place.

JUMP STARTING

JUMP STARTING

Caution

Do not try to start vehicle by pushing or pulling it.

This can damage catalytic converter and automatic transaxle and may cause personal injury.

For more information about the vehicle battery, see “Battery” on page 9-22.

If the vehicle battery has run down, you may want to use another vehicle and some jumper cables to start your vehicle. Be sure to use the following steps to do it safely.

⚠ Warning

Batteries can explode. You could be burnt by battery acid and electrical short could injure you or damage the vehicles.

- Do not expose battery to flames or sparks.
- Do not lean over battery while jump starting vehicle.
- Do not allow cable terminals to touch each other.
- Wear eye protection when working near any battery.
- Do not allow battery fluid to contact eyes, skin, fabric, or painted surfaces.
- Make sure battery providing jump start has the same voltage as the battery receiving the jump.
- Do not disconnect discharged battery from vehicle.

Caution

Ignoring these steps could result in costly damage to the vehicle that would not be covered by the warranty.

Trying to start the vehicle by pushing or pulling it will not work, and it could damage the vehicle.

1. Check the other vehicle. It must have a 12 volt battery with a negative ground system.

Caution

Only use a vehicle that has a 12 volt system with a negative ground for jump starting. If the other vehicle does not have a 12 volt system with a negative ground, both vehicles can be damaged.

2. Get the vehicles close enough so the jumper cables can reach, but be sure the vehicles are not touching each other. If they are, it could cause a

ground connection you do not want. You would not be able to start your vehicle, and the bad grounding could damage the electrical systems.

To avoid the possibility of the vehicles rolling, set the parking brake firmly on both vehicles involved in the jump start procedure. Put the transmission in N (Neutral) before setting the parking brake.

3. Turn OFF the ignition on both vehicles. Unplug unnecessary accessories plugged into the cigarette lighter or the accessory power outlet. Turn off the radio and all lamps that are not needed. This will avoid sparks, helping save both batteries and the radio.
4. Open the hood on the other vehicle and locate the positive (+) and negative (-) terminal locations on that vehicle.

Open the hood on your vehicle and find the positive (+) and negative (-) terminal locations.

See “Engine Compartment Overview” on page 9-6 for more information on location of the Battery.

Caution

If any accessories are left on or plugged in during the jump starting procedure, they could be damaged. The repairs would not be covered by the vehicle warranty. Whenever possible, turn off or unplug all accessories on either vehicle when jump starting the vehicle.

Warning

An electric fan can start up even when the engine is not running and can injure you. Keep hands, clothing and tools away from any underhood electric fan.

Warning

Using an open flame near a battery can cause battery gas to explode. People have been hurt doing this, and some have been blinded. Use a flashlight if you need more light.

Be sure the battery has enough water. You do not need to add water to the battery installed in your new vehicle. But if a battery has filler caps, be sure the right amount of fluid is there. If it is low, add water to take care of that first. If you do not, explosive gas could be present.

Battery fluid contains acid that can burn you. Do not get it on you. If you accidentally get it in your eyes or on your skin, wash with water and get medical help immediately.

Warning

Fans or other moving engine parts can injure you badly. Keep your hands away from moving parts once the engine is running.

5. Check that the jumper cables do not have loose or missing insulation. If they do, you could get a spark. The vehicles could also be damaged.

Before you connect the cables, here are some basic things you should know. Positive (+) will go to positive (+) and Negative (-) will go to a heavy, unpainted metal engine part.

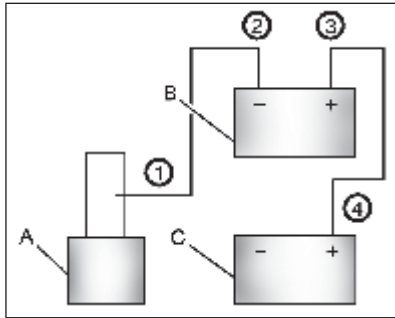
Do not connect positive (+) to negative (-) or you will get a short that would damage the battery and maybe other parts. Do not connect the negative (-) cable to the negative (-) terminal on the dead battery because this can cause sparks.

6. Connect the red positive (+) cable to the positive (+) terminal on the vehicle with the dead battery.
 7. Do not let the other end touch metal. Connect it to the positive (+) terminal of the good battery.
 8. Now connect the black negative (-) cable to the negative (-) terminal of the good battery.

Do not let the other end touch anything until the next step. The other end of the negative (-) cable does not go to the dead battery. It goes to a heavy, unpainted metal engine part.
 9. Connect the other end of the negative (-) cable away from the dead battery, but not near engine parts that move. The electrical connection is just as good there, and the chance of sparks getting back to the battery is much less.
10. Now start the vehicle with the good battery and run the engine for a while.
 11. Press the Unlock button on the remote keyless entry transmitter to disarm your security system, if equipped.
 12. Try to start the vehicle that had the dead battery. Start attempts should be made for no longer than 10 seconds at an interval of 1 minute. Allow both engines to idle for several minutes with the cable connected. If it will not start after a few tries, it probably needs service.

Caution

If the jumper cables are connected or removed in the wrong order, electrical shorting may occur and damage the vehicle. The repairs would not be covered by the vehicle warranty. Always connect and remove the jumper cables in the correct order, making sure that the cables do not touch each other or other metal.



JUMPER CABLE REMOVAL

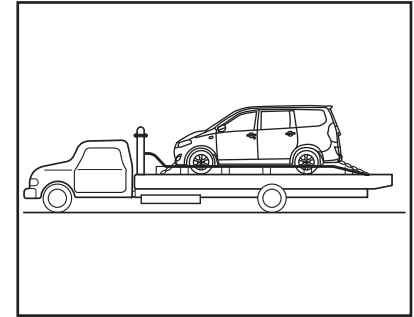
- A. Heavy, Unpainted Metal Engine Part.
- B. Good Battery.
- C. Dead Battery.

To disconnect the jumper cables from both vehicles, do the following:

1. Disconnect the black negative (-) cable from the vehicle that had the dead battery.
2. Disconnect the black negative (-) cable from the vehicle with the good battery.
3. Disconnect the red positive (+) cable from the vehicle with the good battery.
4. Disconnect the red positive (+) cable from the other vehicle.

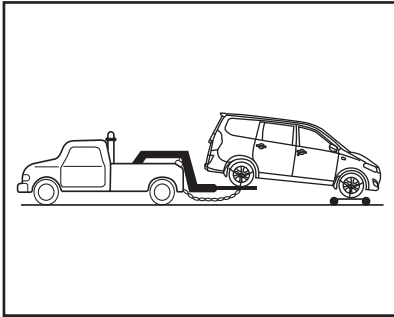
TOWING

TOWING THE VEHICLE



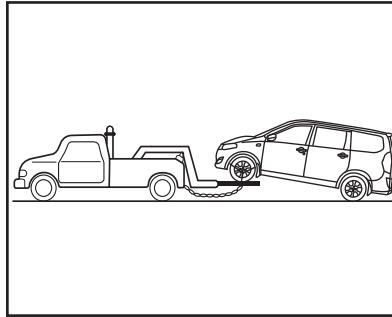
If you need to have your vehicle towed, contact your CHEVROLET retailer or professional towing company.

The best method is to have the vehicle transported using a recovery vehicle.



Towing Your Vehicle with Front Wheels on the Ground

It is recommended to use a towing dolly. If the dolly is not used, it is necessary to place the gear shift lever to the Neutral position and the ignition switch to I/ACC position.



Towing Your Vehicle with Rear Wheels on the Ground

Release the parking brake and place the gear shift lever to the Neutral position.

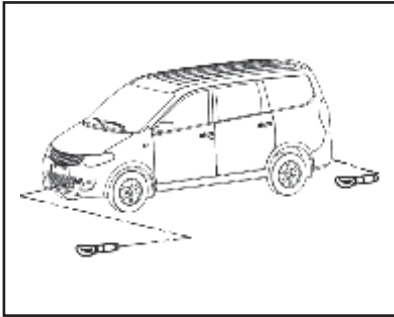
⚠ Warning

To avoid vehicle damage, make sure there is enough distance between the vehicle and the floor. Otherwise, your vehicle may be damaged during towing.

Please observe the following procedures when towing a vehicle:

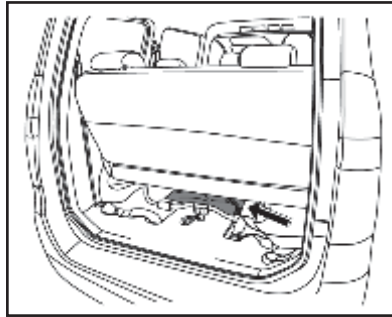
- No passenger should remain in the vehicle being towed.
- Release the parking brake of the towed vehicle and place the transmission gear in Neutral.
- Switch on the hazard warning flashers.
- Keep the speed limits.

EMERGENCY TOWING

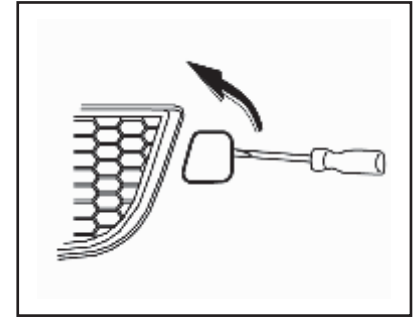


If towing service is not available in an emergency, your vehicle may be temporarily towed by a cable secured to the emergency towing hook.

The towing hook can be located on the front bumper or the rear bumper.



The tow hook is stored along with the jack and tool kit, under the third row seat.

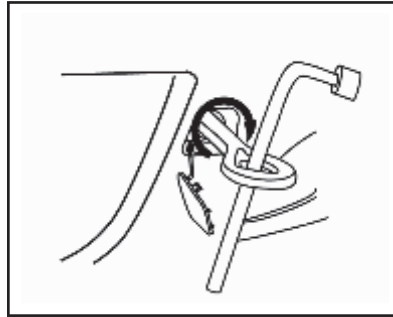


FRONT TOWING HOOK

1. There is a small decoration cover at the left hand side of the front bumper. A mounting hole for hook installation can be found after you open the cover with the flat head screwdriver as shown in the above illustration. Put a piece of cotton cloth between the screwdriver and the vehicle body to protect the vehicle body.



2. Insert the towing hook into the mounting hole and slightly, tighten it clockwise by hand.

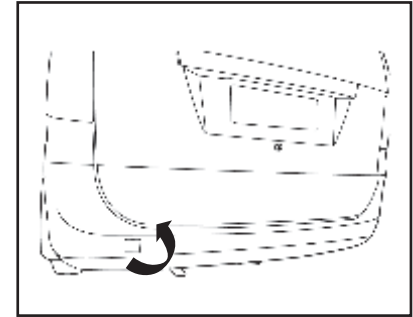


3. Tighten the towing hook with help of wheel wrench.

While towing, a driver must be in the vehicle to steer it and operate the brakes.

Towing in this manner may be done only on hard-surfaced road for a short distance and at low speed. Also the wheels, axles, drive train, steering and brakes must be all in a good condition.

After towing, remove the hook and close it with the cover.



REAR TOWING HOOK

There is a small decoration cover at the left hand side of the rear bumper. A mounting hole for hook installation can be found after you open the cover with the flat head screwdriver. The installation of the rear towing hook is similar to that of front hook.

When towing another vehicle, use the rear towing hook attachment. It should be used only in an emergency situation. (for example, to pull the vehicle out of a ditch, a snow bank, or mud.)

When the rear towing hook attachment is used, always pull the cable or chain in a straight direction with respect to the hook. Do not apply force to the hook from any side direction. To prevent damage, do not take up slack in the cable too quickly.

Caution

When towing the vehicle with a tow rope, the vehicle can be damaged.

To reduce damage:

- Use towing hook only if no other towing equipment is available.
- Only tow the vehicle from the front.
- Keep tow rope clear of bumper.
- Ensure tow rope is securely fixed to towing hook, at both ends. Check by pulling on tow rope.
- Drive off slowly and avoid jerky movements.

⚠ Warning

During emergency towing, the below instructions should be followed:

- Turn on the hazard warning flashers.
- Turn the ignition key to position I/ACC to unlock the steering wheel and to use brake lights and horn.
- Place the shift lever to the Neutral position, and release the parking brake.
- Avoid hard steering and drive slowly.
- Driver must be able to control the steering wheel and brakes. Wheels, transmission, steering wheel and brake must be kept in good condition. Apply more efforts in braking because the vacuum booster does not work when the engine is off.

(Continued)

⚠ Warning (Continued)

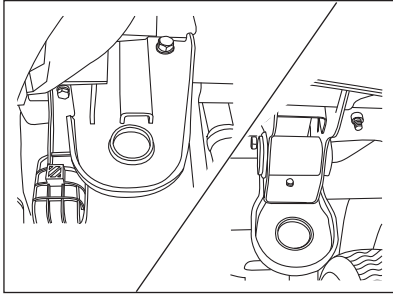
- Engage the towing hook to the vehicle, and make sure the towing hook is securely fixed. Otherwise, the towing hook may get loose during the towing and may cause accidents and lead to serious injury or even death.

⚠ Warning

When towing with a tow rope, control of towed vehicle can be lost.

- Do not tow if the wheels, transaxle, axles, steering or brakes are damaged.
- Do not remove the key from the ignition switch as this will lock the steering and this will make the vehicle undriveable.

TOWING HOOKS FOR SHIPPING



The towing hooks for shipping is located below the left hand side of the front bumper and right hand side of the rear bumper on the vehicle body floor, and it is used when this vehicle is shipped.

Caution

Do not use this towing hook to tow other vehicle, otherwise your vehicle will be damaged.

In order to keep its optimum performance, it is not recommended to use this vehicle to tow other vehicles.

APPEARANCE CARE EXTERIOR CARE

WASHING THE VEHICLE

To preserve the vehicle's finish, wash it often and out of direct sunlight.

Caution

Do not use petroleum-based, acidic, or abrasive cleaning agents as they can damage the vehicle's paint, metal, or plastic parts. If damage occurs, it would not be covered by the vehicle's warranty. Approved cleaning products can be obtained from your CHEVROLET retailer. Follow all manufacturer directions regarding correct product usage, necessary safety precautions, and appropriate disposal of any vehicle care product.

Avoid using high pressure washes closer than 30 cm (12 in) to the surface of the vehicle. Use of power washers exceeding 8,274 kPa (1,200 psi) can result in damage or removal of paint and decals.

Rinse the vehicle well, before washing and after, to remove all cleaning agents completely. If they are allowed to dry on the surface, they could stain.

Dry the finish with a soft, clean cotton towel to avoid surface scratches and water spotting.

FINISH CARE

Application of aftermarket clearcoat sealant/wax materials is not recommended. If painted surfaces are damaged, see your CHEVROLET retailer to have the damage assessed and repaired. Foreign materials such as calcium chloride and other salts, ice melting agents, road oil and tar, tree sap, bird droppings, chemicals from industrial chimneys, etc., can damage the vehicle's finish if they remain on painted surfaces. Wash the vehicle as soon as possible. If necessary, use non-abrasive cleaners that are marked safe for painted surfaces to remove foreign matter.

Occasional hand waxing or mild polishing should be done to remove residue from the paint finish. See your CHEVROLET retailer for approved cleaning products.

Do not apply waxes or polishes to uncoated plastic, vinyl, rubber, decals, simulated wood, or flat paint as damage can occur.

Caution

Machine compounding or aggressive polishing on a basecoat/clearcoat paint finish may damage it. Use only non-abrasive waxes and polishes that are made for a basecoat/clearcoat paint finish on the vehicle.

To keep the paint finish looking new, keep the vehicle garaged or covered whenever possible.

PROTECTING EXTERIOR BRIGHT METAL PARTS

Regularly clean bright metal parts with water or chrome polish on chrome or stainless steel trim, if necessary.

For aluminum, never use auto or chrome polish, steam, or caustic soap to clean. A coating of wax, rubbed to a high polish, is recommended for all bright metal parts.

CLEANING EXTERIOR LAMPS/LENSES AND EMBLEMS

Use only lukewarm or cold water, a soft cloth, and a car washing soap to clean exterior lamps and lenses. Follow instructions under "Washing the Vehicle" earlier in this section.

WINDSHIELD AND WIPER BLADES

Clean the outside of the windshield with glass cleaner.

Clean rubber blades using a lint-free cloth or paper towel soaked with windshield washer fluid or a mild detergent. Wash

the windshield thoroughly when cleaning the blades. Bugs, road grime, sap, and a buildup of vehicle wash/wax treatments may cause wiper streaking.

Replace the wiper blades if they are worn or damaged. Damage can be caused by extreme dusty conditions, sand, salt, heat, sun, snow, and ice.

WEATHERSTRIPS

Apply silicone grease on weatherstrips to make them last longer, seal better, and not stick or squeak.

TIRES

Use a stiff brush with tire cleaner to clean the tires.

Caution

Using petroleum-based tire dressing products on the vehicle may damage the paint finish and/or tires. When applying a tire dressing, always wipe off any overspray from all painted surfaces on the vehicle.

**WHEELS AND TRIM -
ALUMINUM OR CHROME**

Use a soft, clean cloth with mild soap and water to clean the wheels. After rinsing thoroughly with clean water, dry with a soft, clean towel. A wax may then be applied.

Caution

Chrome wheels and other chrome trim may be damaged if the vehicle is not washed after driving on roads that have been sprayed with magnesium, calcium, or sodium chloride. These chlorides are used on roads for conditions such as ice and dust. Always wash the chrome with soap and water after exposure.

Caution

To avoid surface damage, do not use strong soaps, chemicals, abrasive polishes, cleaners, brushes, or cleaners that contain acid on aluminum or chrome-plated wheels. Use only approved cleaners. Also, never drive a vehicle with aluminum or chrome-plated wheels through an automatic car wash that uses silicone carbide tire cleaning brushes. Damage could occur and the repairs would not be covered by the vehicle warranty.

**STEERING, SUSPENSION, AND
CHASSIS COMPONENTS**

Visually inspect the front and rear suspension and steering system for damaged, loose, or missing parts or signs of wear. Inspect the power steering for proper hook-up, binding, leaks, cracks, chafing, etc. Visually check the axle seals for leaks.

**BODY COMPONENT
LUBRICATION**

Lubricate all key lock cylinders, hood hinges, tailgate hinges, and the fuel door hinge unless the components are plastic. Applying silicone grease on weatherstrips with a clean cloth will make them last longer, seal better, and not stick or squeak.

UNDERBODY MAINTENANCE

Use plain water to flush dirt and debris from the vehicle's underbody. Your CHEVROLET retailer or an underbody car washing system can do this. If not removed, rust and corrosion can develop.

SHEET METAL DAMAGE

If the vehicle is damaged and requires sheet metal repair or replacement, make sure the body repair shop applies anti-corrosion material to parts repaired or replaced to restore corrosion protection.

Original manufacturer replacement parts will provide the corrosion protection while maintaining the vehicle warranty.

FINISH DAMAGE

Quickly repair minor chips and scratches with touch-up materials available from your CHEVROLET retailer to avoid corrosion. Larger areas of finish damage can be corrected in your CHEVROLET retailer's body and paint shop.

CHEMICAL PAINT SPOTTING

Airborne pollutants can fall upon and attack painted vehicle surfaces causing blotchy, ring-shaped discolorations, and small, irregular dark spots etched into the paint surface. See your CHEVROLET retailer for assistance and rectification.

INTERIOR CARE

To prevent dirt particle abrasions, regularly clean the vehicle's interior. Immediately remove any soils. Note that newspapers or dark garments that can transfer color to home furnishings can also permanently transfer color to the vehicle's interior.

Use a soft bristle brush to remove dust from knobs and crevices on the instrument cluster. Using a mild soap solution, immediately remove hand lotions, sunscreen, and insect repellent from all interior surfaces or permanent damage may result.

Your CHEVROLET retailer may have products for cleaning the interior. Use cleaners specifically designed for the surfaces being cleaned to prevent permanent damage. To prevent overspray, apply all cleaners directly to the cleaning cloth. Cleaners should be removed quickly. Never allow cleaners to remain on the surface being cleaned for extended periods of time.

Cleaners may contain solvents that can become concentrated in the interior. Before using cleaners, read and adhere to all safety instructions on the label. While cleaning the interior, maintain adequate ventilation by opening the doors and windows.

To prevent damage, do not clean the interior using the following cleaners or techniques:

- Never use a razor or any other sharp object to remove a soil from any interior surface.
- Never use a brush with stiff bristles.
- Never rub any surface aggressively or with excessive pressure.
- Do not use laundry detergents or dishwashing soaps with degreasers. For liquid cleaners, use approximately 20 drops per 3.78 L (1 gal) of water. A concentrated soap solution will leave a residue that creates streaks and attracts dirt. Do not use solutions that contain strong or

caustic soap.

- Do not heavily saturate the upholstery when cleaning.
- Do not use solvents or cleaners containing solvents.

INTERIOR GLASS

To clean, use a terry cloth fabric dampened with water. Wipe droplets left behind with a clean dry cloth. Commercial glass cleaners may be used, if necessary, after cleaning the interior glass with plain water.

Caution
To prevent scratching, never use abrasive cleaners on automotive glass. Abrasive cleaners or aggressive cleaning may damage the rear window defogger.

FABRIC/CARPET

Start by vacuuming the surface using a soft brush attachment. If a rotating brush attachment is being used during vacuuming, only use it on the floor carpet. Before cleaning, gently remove as much of the soil as possible using one of the following techniques:

- Gently blot liquids with a paper towel. Continue blotting until no more soil can be removed.
- For solid soils, remove as much as possible prior to vacuuming.

To Clean:

1. Saturate a clean lint-free colorfast cloth with water or club soda. Microfiber cloth is recommended to prevent lint transfer to the fabric or carpet.
2. Remove excess moisture by gently wringing until water does not drip from the cleaning cloth.
3. Start on the outside edge of the soil

and gently rub towards the center. Fold the cleaning cloth to a clean area frequently to prevent forcing the soil into the fabric.

4. Continue gently rubbing the soiled area until there is no longer any color transfer from the soil to the cleaning cloth.
5. If the soil is not completely removed, use a mild soap solution followed only by club soda or plain water.

If the soil is not completely removed, it may be necessary to use a commercial upholstery cleaner or spot lifter. Test a small hidden area for colorfastness before using a commercial upholstery cleaner or spot lifter. If ring formation occurs, clean the entire fabric or carpet.

Following the cleaning process, a paper towel can be used to blot excess moisture.

**INSTRUMENT PANEL, VINYL,
AND OTHER PLASTIC
SURFACES**

Use a soft microfiber cloth dampened with water to remove dust and loose dirt. For a more thorough cleaning, use a soft microfiber cloth dampened with a mild soap solution.

Caution

Soaking or saturating leather, especially perforated leather, as well as other interior surfaces, may cause permanent damage. Wipe excess moisture from these surfaces after cleaning and allow them to dry naturally. Never use heat, steam, spot lifters, or spot removers. Do not use cleaners that contain silicone or wax-based products. Cleaners containing these solvents can permanently change the appearance and feel of leather or soft trim and are not recommended.

Do not use cleaners that increase gloss, especially on the instrument panel. Reflected glare can decrease visibility through the windshield under certain conditions.

Caution

Use of air fresheners may cause permanent damage to plastics and painted surfaces. If an air freshener comes in contact with any plastic or painted surface in the vehicle, blot immediately and clean with a soft cloth dampened with a mild soap solution. Damage caused by air fresheners would not be covered by the vehicle warranty.

SERVICE AND MAINTENANCE

General Information.....	10-1
Service Information	10-2
Scheduled Maintenance	10-3
Service Schedules	10-3
Recommended Fluids and Lubricants	10-6
Recommended Fluids and Lubricants	10-7

GENERAL INFORMATION

This section provides the maintenance schedule which is necessary to ensure that your vehicle gives many years of satisfying motoring.

You are responsible for properly operating and maintaining your vehicle in accordance with the instructions described in this Manual. Failure to do so is likely to result in the denial of warranty coverage.

It is your responsibility to properly maintain and operate your vehicle. Be sure that you follow the periodic required maintenance schedule and general operation instructions in this Manual.

Every time a service / inspection is carried out you will be given the relevant completed and signed schedule, indicating the work which has been done.

It is also your responsibility to keep records and receipts as proof of regular maintenance. Records and receipts together with this Owner's Manual should be transferred to any subsequent owner.

You may have maintenance services performed on your vehicle by any qualified person or facility. However, it is recommended that the maintenance services be performed by an authorized CHEVROLET retailer who will have well-trained technicians and genuine parts.

Non-GMI genuine parts and accessories have not been examined or approved by GMI. GMI can certify neither the suitability nor the safety of non-genuine parts and accessories and are not liable for damage caused by their use.

Inadequate, incomplete, or insufficient servicing may result in operational problems with your vehicle that could even lead to vehicle damage, an accident, or personal injury.

SERVICE INFORMATION

In order to ensure economical and safe vehicle operation and to maintain the value of your vehicle, it is of vital importance that all maintenance work is carried out at the proper intervals as specified.

You should follow the periodic required maintenance schedule. See “Scheduled Maintenance” later in this section.

CONFIRMATIONS

Confirmation of service is recorded in the Service and Warranty Booklet.

The date and mileage is completed with the stamp and signature of the servicing CHEVROLET retailer.

Make sure that the Service and Warranty Booklet is completed correctly as continuous proof of service is essential if any warranty or goodwill claims are to be met, and is also benefit when selling the vehicle.

NORMAL CONDITIONS

The normal condition for driving means driving under typical, everyday driving conditions. You may follow the normal maintenance schedule.

SEVERE CONDITIONS

If the vehicle is operated under any of the following conditions, some of the maintenance schedule items need to be serviced more frequently. See numeric symbols in “Scheduled Maintenance” later in this section.

- Repeated short-distance driving less than 5 miles (10 kms).
- Extensive idling and/or slow-speed driving in stop-and-go traffic.
- Driving on dusty roads.
- Driving on hilly or mountainous terrain.

Caution

Chevrolet recommends to consult authorized CHEVROLET retailer for instructions and vehicle health check-up before setting out a long journey.

- Towing a trailer.
- Driving in heavy city traffic where the outside temperatures regularly reach 90°F (32°C) or higher.
- Driving as a taxi, driving school vehicle, police or delivery vehicle.
- Frequent driving when outside temperature remains below freezing.

SCHEDULED MAINTENANCE

SERVICE SCHEDULES

Maintenance services and record retention are the owner’s responsibility. You should retain evidence that proper maintenance has been performed on your vehicle in accordance with the scheduled maintenance services chart.

For vehicles with normal annual mileage.

MAINTENANCE ITEM	MAINTENANCE INTERVAL	Kilometers or time in months/years, whichever comes first											
		1 Month/1000	6 Months/5000	1 Years/10000	2 Years/20000	3 Years/30000	4 Years/40000	5 Years/50000	6 Years/60000	7 Years/70000	8 Years/80000	9 Years/90000	10 Years/100000

ENGINE CONTROL SYSTEM													
Drive Belt (Alternator, Power Steering and A/C Compressor)	I	I	I	I	I	I	I	I	I	I	I	I	I
Engine Oil and Engine Oil Filter (1) (3)	I	R	R	R	R	R	R	R	R	R	R	R	R
Cooling System Hose and Connections	I	I	I	I	I	I	I	I	I	I	I	I	I
Engine Coolant (3)		I	I	I	I	I	R	I	I	I	I	R	
Fuel Filter	I	I	I	R	I	R	I	R	I	R	I	R	
Fuel Line and Connections	I	I	I	I	I	I	I	I	I	I	I	I	I
Air Cleaner Element (2)	I	I	I	R	I	R	I	R	I	R	I	R	
Spark Plugs	I	I	I	I	R	I	I	R	I	I	R	I	
Spark Plug Wires	I	I	I	I	I	I	I	I	I	I	I	I	I
EVAP Canister, Vapor Lines & Solenoid Valve Filter				I		I		I		I		I	
PCV System				I		I		I		I		I	
Throttle Body		I	I	I	I	I	I	I	I	I	I	I	I

Chart Symbols:

I- Inspect these items and their related parts. If necessary, correct, clean, replenish, adjust, rotate or replace.

R- Replace or change

- (1) If a vehicle is operated under severe conditions: short distance driving, extensive idling or driving in dusty conditions, change engine oil and the filter every 5,000 kms or 6 months, whichever comes first.
- (2) Inspect the air cleaner element every 5,000 kms or 6 months if vehicle is driven under dusty driving conditions. If necessary correct, clean or replace.
- (3) Refer to “Recommended Fluids and Lubricants” on page 10-6.

10-4 Service and Maintenance

For vehicles with normal annual mileage.

MAINTENANCE ITEM	MAINTENANCE INTERVAL	Kilometers or time in months/years, whichever comes first											
		1 Month/1000	6 Months/5000	1 Years/10000	2 Years/20000	3 Years/30000	4 Years/40000	5 Years/50000	6 Years/60000	7 Years/70000	8 Years/80000	9 Years/90000	10 Years/100000
CHASSIS AND BODY													
Exhaust Pipe & Mountings	I	I	I	I	I	I	I	I	I	I	I	I	I
Brake Fluid (3) (4)	I	I	I	R	I	R	I	R	I	R	I	R	I
Front Brake Discs & Pads (5)	I	I	I	I	I	I	I	I	I	I	I	I	I
Rear Brake Drums & Linings (5)		I	I	I	I	I	I	I	I	I	I	I	I
Parking Brake	I	I	I	I	I	I	I	I	I	I	I	I	I
Brake Line and Connections (Including Booster)	I	I	I	I	I	I	I	I	I	I	I	I	I
Manual Transaxle : Fluid / Leak Check (3)	I	R	I	I	R	I	I	R	I	I	R	I	I
Rear Axle Differential : Fluid / Leak Check (3)	I	R	I	I	R	I	I	R	I	I	R	I	I
Chassis and Underbody Bolts and Nuts Tight / Secure	I	I	I	I	I	I	I	I	I	I	I	I	I

Chart Symbols:

I- Inspect these items and their related parts. If necessary, correct, clean, replenish, adjust, rotate or replace.

R- Replace or change

(3) Refer to "Recommended Fluids and Lubricants" on page 10-6.

(4) Change the brake fluid every 10,000 kms or 1 year (whichever is earlier) if the vehicle is mainly driven under severe conditions:

- Driving in hilly or mountainous terrain, or
- Towing a trailer frequently.

(5) More frequent maintenance is required if under severe condition: frequent low-speed operation in stop-and go traffic or driving in dusty conditions.

For vehicles with normal annual mileage.

MAINTENANCE ITEM	MAINTENANCE INTERVAL		Kilometers or time in months/years, whichever comes first										
	1 Month/1000	6 Months/5000	1 Years/10000	2 Years/20000	3 Years/30000	4 Years/40000	5 Years/50000	6 Years/60000	7 Years/70000	8 Years/80000	9 Years/90000	10 Years/100000	
CHASSIS AND BODY													
Tire Condition and Inflation Pressure (7)	I	I	I	I	I	I	I	I	I	I	I	I	
Wheel Alignment (6)	As and when required or as suggested by CHEVROLET retailer												
Wheel Balancing (6)	As and when required or as suggested by CHEVROLET retailer												
Steering Wheel & Linkage	I	I	I	I	I	I	I	I	I	I	I	I	
Power Steering Fluid (3)	I	I	I	I	R	I	I	R	I	I	R	I	
Power Steering Lines	I	I	I	I	I	I	I	I	I	I	I	I	
Propeller Shaft and Universal Joints	I	I	I	I	I	I	I	I	I	I	I	I	
Safety Belts, Buckles & Anchorages	I	I	I	I	I	I	I	I	I	I	I	I	
Lubricate Locks, Hinges & Hood Latch	L	L	L	L	L	L	L	L	L	L	L	L	

Chart Symbols:

I - Inspect these items and their related parts. If necessary, correct, clean, replenish, adjust, rotate or replace.

R - Replace or change

L - Lubricate

(3) Refer to "Recommended Fluids and Lubricants" on page 10-6.

(6) If necessary, rotate and balance wheels.

(7) Tire condition should be inspected before driving and tire pressure should be checked each time you fill your fuel tank or at least once a month using a tire pressure gauge.

RECOMMENDED FLUIDS AND LUBRICANTS

Item	Capacity	Classification
Engine Oil (Including Oil Filter)	4.0L	5W-30 API SM GF4
Engine Coolant	7.0L	Ethylene Glycol Based Long Life Coolant
Manual Transaxle Fluid	1.3L	75W-90
Brake/Clutch Fluid	0.5L	DOT4
Power Steering Fluid	1.05L	DEXRON III
Rear Axle Differential Fluid	1.0 +/- 0.1L	80W-90 GL-5

RECOMMENDED FLUIDS AND LUBRICANTS

Only use products that have been tested and approved. Damage resulting from the use of non approved materials will not be covered by the warranty.

Warning

Operating materials are hazardous and could be poisonous. Handle with care. Pay attention to information given on the containers.

ENGINE OIL

Engine Oil is identified by its Quality and its Viscosity Grade. “Quality” and “Specification” are equivalent terms in this respect. Engine Oil Quality is more important than Viscosity when selecting which Engine Oil to use. The Oil Quality ensures e.g. engine cleanliness, wear protection and oil aging control, whereas Viscosity Grade gives information on the oil’s thickness over a temperature range.

ENGINE OIL QUALITY FOR SERVICE

Only use 5W-30 API SM GF4 Engine Oil.

TOPPING UP ENGINE OIL

The viscosity should be of the correct rating. Only use 5W-30 API SM GF4 Engine Oil.

ENGINE OIL ADDITIVES

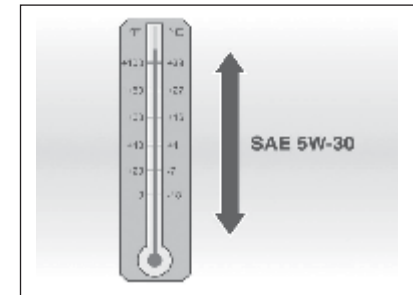
The use of supplemental Engine Oil Additives could cause damage and invalidate the warranty.

ENGINE OIL VISCOSITY GRADE

The SAE Viscosity Grade gives information of the thickness of the Oil.

Multigrade Oil is Indicated by Two Figures :

The first figure, followed by a W, indicates the low temperature Viscosity and the second figure indicates the high temperature Viscosity.



SAE 5W-30 is the best Viscosity Grade for your vehicle. Do not use other Viscosity Grade Oils.

COOLANT AND ANTIFREEZE

Use only organic acid type-long life coolant (LLC) antifreeze.

In countries with cold climate the coolant provides freeze protection down to approx. -25°C . This concentration should be maintained all year-round.

Coolant additives intended to give additional corrosion protection or seal against minor leaks can cause functional problems. Liability for consequences resulting from the use of coolant additives will be rejected.

BRAKE/CLUTCH FLUID

Only use authorized brake/clutch fluid (DOT 4) for this vehicle.

Over time, brake fluid absorbs moisture which will reduce braking effectiveness. The brake fluid should therefore be replaced at the specified interval.

Brake fluid should be stored in a sealed

container to avoid water absorption.

Ensure brake fluid does not become contaminated.

POWER STEERING FLUID

Only use Dexron III fluid.

MANUAL TRANSMISSION FLUID

Only use 75W-90 fluid.

REAR AXLE DIFFERENTIAL FLUID

Only use 80W-90 GL-5 fluid.

TECHNICAL DATA

Vehicle Identification 11-1

 Vehicle Identification
 Number (VIN) 11-1

 VIN Plate Location 11-1

 Engine Identification Number 11-2

Vehicle Specifications 11-3

 Engine 11-3

 Drivetrain 11-3

 Brake System 11-3

 Capacities 11-4

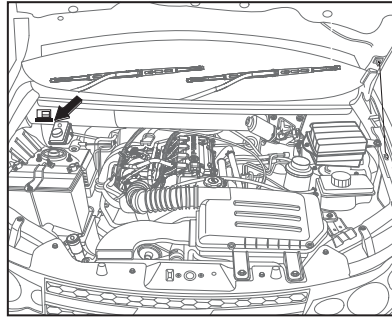
 Dimensions 11-4

 Wheel and Tire 11-4

 Weight 11-4

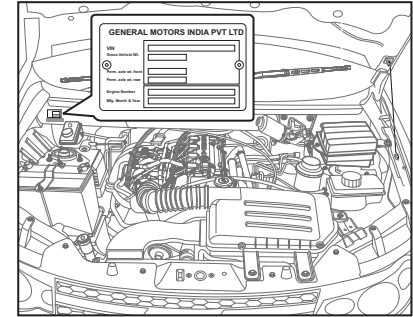
 Bulb Specifications 11-5

VEHICLE IDENTIFICATION VEHICLE IDENTIFICATION NUMBER (VIN)



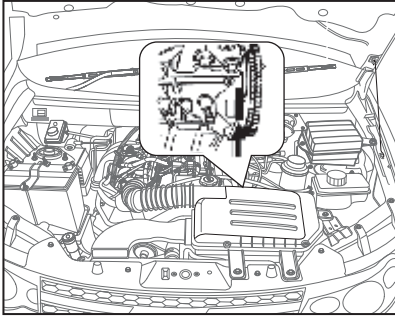
The vehicle identification number (VIN) is engraved at the upper right of the fire wall, below the VIN plate.

VIN PLATE LOCATION



The vehicle identification number (VIN) plate is attached to the upper right of the fire wall.

ENGINE IDENTIFICATION NUMBER



The engine number is stamped on the cylinder block under the No. 4 exhaust manifold of the engine.

VEHICLE SPECIFICATIONS

ENGINE

Engine	
Engine identifier code	LCU
Type	In line, 4 Cylinder, 4 Stroke, Liquid Cooled, DOHC
No. of cylinders	4
Displacement (cc)	1399
Bore x stroke (mm)	73.8 x 81.8
Compression ratio	10.2 : 1
Max. Power (kW@rpm)	73.7@6000
Max. Torque (Nm@rpm)	131@4400
Octane rating RON	91
Battery rating (V-Ah)	12-45

DRIVETRAIN

5-Speed Manual Transaxle		
Drive system	Rear wheel drive	
Gear ratios	1 st	3.857
	2 nd	2.176
	3 rd	1.419
	4 th	1.000
	5 th	0.808
	Reverse	4.128
	Final drive ratio	4.889

BRAKE SYSTEM

Brake System	
Type	Hydraulic brake system with vacuum assistant
Auto slack adjuster	Rear brakes
ABS	Optional
Front brakes	Disc
Rear brakes	Drum

11-4 Technical Data

CAPACITIES

Capacities	
Fuel tank (L)	50
Engine oil (L) (Including oil filter)	4.0
Coolant (L)	7.0

DIMENSIONS

Exterior Dimensions		
Overall length (mm)		4305
Overall width (mm)		1680
Overall height (mm)		1750
Wheel base (mm)		2720
Track (mm)	Front	1420
	Rear	1440
Min ground clearance (mm)		165

WHEEL AND TIRE

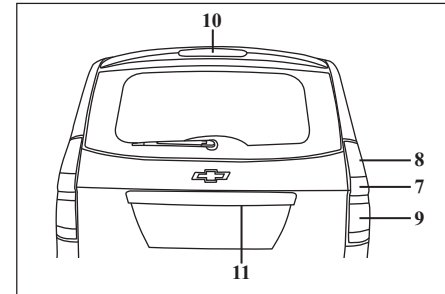
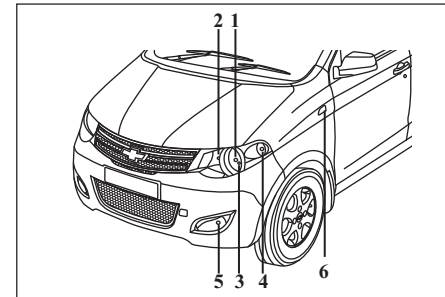
Wheel and Tire				
Tire size	Wheel dimension	Weight	Tire Pressure (kPa) [psi]	
			Front	Rear
175/70 R14 LT 95/93 Q/S	14 x 5J (Alloy/Steel)	Kerb	220 [32]	220 [32]
		GVW	250 [36]	320 [46]

WEIGHT

Weight	
Kerb weight (kg)	1273[LS]/1290[LT/LTZ]
Maximum gross vehicle weight (kg)	1910

BULB SPECIFICATIONS

		Bulbs	Wattage x Quantity	Remarks
Front	1	Headlamp low beam	55W x 2	Halogen bulb (H7)
	2	Headlamp high beam	55W x 2	Halogen bulb (H1)
	3	Parking lamps	5W x 2	
	4	Turn signal lamps	21W x 2	
	5	Fog lamps*	55W x 2	
	6	Side turn signal lamps	5W x 2	
Rear	7	Turn signal lamps	21W x 2	
	8	Brake / Tail lamps	21/5W x 2	
	9	Reverse lamps	21W x 2	
	10	Center high mounted stop lamp	5W x 4	
			LED x 12	On select models
11	License plate lamps	5W x 2		
Interior	Front reading lamp		5W x 1	
	Rear dome lamp		5W x 1	



Bulb specification in some model can be different from the above table. See the wattage printed on the bulb before replacing burnt bulbs.

⚠ WARNING

The same rating of the bulb to be used during replacement and any usage of higher wattage bulbs can cause thermal issues such as melting of lamp housing and its surrounding parts. Warranty would be void if higher wattage bulbs are being used.

SERVICE AND WARRANTY

Standard Limited Warranty Coverage	12-2
Predelivery Inspection and Vehicle Delivery	12-9
Owner's Statement of Acceptance	12-11
Chevrolet Service	12-13
Maintenance Record Sheet	12-19
Battery	12-21
Separate Corrosion Protection Service	12-22
Body Inspection Record	12-23
Emission Warranty	12-25
Annexure I	12-29
Annexure II	12-30

12-2 Service and Warranty

STANDARD LIMITED WARRANTY COVERAGE

1. SCOPE

General Motors India Private Limited, a private limited company incorporated under the companies Act 1956 and having its Registered office at Chandrapura Industrial Estate, Halol, District Panchmahals, Gujarat - 389351 and Works at A-16, MIDC Talegaon Industrial Area (Phase-II), Near Floriculture Park, Talegaon Navlakh Umbhre Village Road, Tehsil-Maval, Pune - 410507, Maharashtra ("General Motors India") warrants that your new Chevrolet Enjoy ("vehicle") is free from defect in material or workmanship, subject to your compliance with the following terms and conditions mentioned hereunder and other vehicle maintenance norms as mentioned elsewhere in this service booklet.

Only an authorized CHEVROLET retailer as mentioned in this booklet will make the necessary repairs, using new, re-conditioned or re-manufactured parts with a view to correcting any defect covered by this warranty.

2. WHAT IS COVERED

Time and distance limits for New Vehicle Warranty Coverage.

Warranty Type	Warranty Limits	Other Warranties
A : General	Three (3) years or 1,00,000 kms (whichever is earlier) from the date of delivery by a CHEVROLET retailer or the date of first registration of the motor vehicle, whichever occurs first.	These parts are covered by other warranties : 1. Battery (one (1) year) (covered by the battery manufacturer**) 2. Tyres (one (1) year) (covered by the tyre manufacturer**) 3. Audio/Radio/Acc. (one (1) year) (covered by the Audio/Radio/Acc. manufacturer**) See clause 5.
B : Rust Through*	Three (3) years or 1,00,000 kms (whichever is earlier) from the date of delivery of the motor vehicle or from the date of first registration of the motor vehicle, whichever occurs first.	The warranty covers exterior body metal except : 1. Items not covered by warranty listed in clause 3 2. Exhaust pipe and fuel system rust

* A hole through a body panel caused by rust / corrosion from inside to outside.

** Service / warranty shall be provided by the concerned equipment manufacturer

- The obligation under this New Vehicle Warranty is limited to the repair of the new motor vehicle at no charge by the Chevrolet authorized retailer. For parts replaced during such repair the same warranty applies until the end of the New Vehicle Warranty period as stipulated herein. All warranty claims expire at the end of the warranty period as specified under Clause 2. The Owner is responsible for any repair or replacement which are not covered by this warranty.
- Liability of **General Motors India Pvt. Ltd.** under this New Vehicle Warranty is limited to the value of the service, repairs/ replacement of parts found to be defective within the warranty period. Beyond servicing and/or repairing defective parts in the vehicle, **General Motors India Pvt. Ltd.** does not undertake to replace the vehicle / or reimburse the purchaser by payment of any money in respect of the vehicle purchased by them.
- Under the terms of New Vehicle Warranty, installation, free service will be provided only within the municipal limits of the cities/towns where **General Motors India Pvt. Ltd.** has its service network, *as elaborated elsewhere in this Owner's Manual*. This list of retailers is subject to change/modification without prior notice. Service outside the municipal limits specified above will be provided after charging the actual to and from traveling and incidental expenses, as prevailing from time to time.
- Necessary care and caution is taken in manufacturing of the vehicle, however, **General Motors India Pvt. Ltd.** shall not be liable for any loss or damage caused to any article, property, death or disability caused to any human life arising out of fire, electric fault, short circuit, accidental handling or negligent use of the vehicle. The maximum liability in monetary terms shall be restricted to the value of the defective parts and / or value of services rendered only. Furthermore, the New Vehicle Warranty, in no case, shall extend to the payment of any monetary consideration whatsoever, of the replacement or return of the vehicle as a whole.
- The decision of **General Motors India Pvt. Ltd.** will be final and binding on all matters arising out of this New Vehicle Warranty.
- The owner should preserve the original Invoice for necessary verification and produce the same, as and when required.
- The optimum performance of the vehicle is under standard test conditions.

This New Vehicle Warranty is issued at Halol, District Panchmahals, Gujarat and competent courts shall have exclusive jurisdiction over matters by or following from time to time.

3. WARRANTY LIMITATIONS

The warranty will cease to exist in following conditions:

- a. Failure to have the required periodic inspection and required service performed as per the Periodic Maintenance Schedule.
- b. Improper or wrong maintenance and in deviation with guidelines mentioned in this service booklet.
- c. Any modification, alterations made to the vehicle such as including but not restricted to adding lights, changing engine specifications to increase horsepower, or using wide tyres, and or any other modification in the vehicle that may likely to have an effect on the performance of the vehicle. (e.g. defects caused by the installation of non homologated wheels and tyres are not covered by the warranty.)
- d. Failure to use genuine parts / fluids (oil, coolant, brake fluid) and / or other accessories / consumables recommended or approved by General Motors India Pvt. Ltd.
- e. Use of the vehicle for purposes or in a manner other than the one mentioned in the Owner's Manual. Exceeding specified capacities such as loading weight, passenger, speed, use as a commercial vehicle and rpm limitations.
- f. Damage caused by driving the vehicle under severe conditions such as un-pliable or water-logged roads, in races or rallies.
- g. Damage caused by natural disasters including but not restricted to earthquakes, storms, floods, fire and accidents. The owners are recommended to keep their vehicle insurance valid at all times.
- h. Damage caused by smoke, chemicals, bird-droppings, salt, stone chipping, scratches, iron dust or any other extraneous circumstances like external mechanical or chemical influences (regarding paint or body damage, specially stone throw, air-borne rust, industrial fall out), damage to catalytic converter due to use of wrong/bad quality fuel acting on the vehicle.
- i. Damage caused by normal wear (for instance brake-pad, etc.) or exposure to the elements such as discoloring or deformation of any interior, plastic, chrome or painted part or surface.
- j. Sensory complaint by the owner against symptoms such as noise, vibration or oil stains which do not effect performance.

- k. Damage which should have been detected during normal usage but became serious when left unattended to and/or the owner of the vehicle having failed to claim and having rectified a defect which was already apparent during vehicle delivery, immediately after delivery or a defect which becomes apparent at a later date immediately after it became apparent.
- l. Failure of the owner to adhere to the requirements outlined in Clause 4.
- m. Fuel system damage caused by water or other foreign matter in the fuel system.
- n. Damage caused by the installation of non genuine accessories or equipment after the vehicle has been purchased from the CHEVROLET retailer such as radio, car telephone, CD radio set, or cargo carrier and / or other activities of a similar nature.
- o. Damage caused by running vehicle on adulterated fuel/lubricants or fuel/lubricants other than those specified by General Motors India Pvt. Ltd.
- p. Damage caused by usage of any non-recommended Oil additive / Engine flushing agent.
- q. Repair of the vehicle during warranty period by unauthorized service center.
- r. Retrofitment of CNG/LPG Kit.

Note : General Motors India Pvt. Ltd. doesn't recommend any Oil additive / Engine flushing agent for its vehicles.

WHAT IS NOT COVERED

- Adjustments, cleaning, inspection, or required periodic maintenance.
- Parts designated as requiring periodic replacement.
- Warranty repair not performed by a CHEVROLET retailer.
- Charges or fees for telephone, tow, transportation charges of the vehicle to the nearest CHEVROLET retailer, rental car, and so forth; compensation for inconvenience or commercial losses; all other consequential costs relating to the owner being unable to use the vehicle.

12-6 Service and Warranty

- Any accident, damage, loss or destruction due to negligent, careless use of vehicle.
- Damage to the engine while driving in water logged conditions or entry of water in to the engine.
- Consumptive parts and oil/grease and other fluids. (See the following tables of consumptive parts and oil/grease and other fluids.)

Consumptive Parts	Oil/Grease and other fluids:
Spark plugs	Engine oil
Drive belts	Transmission fluid
Air cleaner element	Rear axle differential fluid
Fuel filter	Power steering fluid
Oil filter	Brake fluid
Clutch disc, clutch parts	Coolant
Brush holders	Grease
Brake shoe and pads	Washer fluid
Brake discs	Battery fluid
Brake drums	Gasoline
Wiper blades	Air conditioner refrigerant
Light bulbs	Other lubricants, etc.
Motor brushes	
Hoses	
Fuses, etc.	

No warranty repair shall be made if it is found that the vehicle Identification number like chassis / engine number, odometer or the warranty & service booklet (Owner's Manual), have been tampered with. This list is neither exclusive nor exhaustive and the decision of General Motors India Pvt. Ltd. shall be final and binding.

4. WHAT THE OWNER MUST DO

In order to keep this warranty valid you must:

- a. Use your vehicle as instructed in the Owner's Manual.
- b. Have your vehicle inspected according to this schedule.

The cost of the service is borne by the owner. If the services are not performed within the specified time limits, the general and the rust through warranty as referred to under Clause 2 above, shall be rendered null and void and shall not be reinstated by a subsequent service.

- c. Keep the warranty & service booklet (Owner's Manual) and all receipts in a safe place to present to the CHEVROLET retailer at regular maintenance visits and when repair work is required.

5. PARTS COVERED BY OTHER WARRANTY CONDITION

- a. Battery : The coverage period is 1 year from the date of new vehicle registration regardless of the distance traveled.
- b. Tyres : This warranty is covered by the tyre manufacturer. The coverage period is one year. Please check with your CHEVROLET retailer for details.
- c. Audio/Radio/Acc. : This warranty is covered by the audio/radio/Acc. manufacturer. The coverage period is one year. Please check with your CHEVROLET retailer for details.

6. MAKING THE WARRANTY EFFECTIVE

The warranty goes into effect after CHEVROLET authorized retailer fills in the appropriate information about your vehicle and places the retailer's official seal and signature in the warranty & service booklet (Owner's Manual).

7. REQUIREMENTS FOR WARRANTY WORK

To have warranty work carried out, present the warranty & service booklet (Owner's Manual) to the CHEVROLET retailer as mentioned in this booklet. If the warranty & service booklet is lost or incomplete, then work to be carried out with respect to the standard warranty shall be refused.

12-8 Service and Warranty

8. CHANGE OF OWNERSHIP

If the vehicle is sold during the warranty period, please deliver the warranty & service booklet (Owner's Manual) to the new owner. The new owner will need to complete the change of address or subsequent ownership notification card located elsewhere in this booklet in order for the coverage to be transferred.

9. EXPENSES ASSOCIATED WITH WARRANTY WORK

The expenses of repair work and parts of your CHEVROLET vehicle will be covered by CHEVROLET standard limited warranty in accordance with the WARRANTY & SERVICE BOOKLET (OWNER'S MANUAL). Other expenses that are not covered by the CHEVROLET Standard Limited Warranty must be covered by the owner.

10. General Motors India Private Limited is launching the CHEVROLET ENJOY in different cities in a phased manner. The CHEVROLET retailer responsible for delivering your Enjoy is qualified to provide all Enjoy related services within the city where he is located. As other CHEVROLET retailers become operational to handle the Enjoy, they will also be able to provide similar Enjoy related services. IN ORDER FOR THE WARRANTY ON YOUR VEHICLE TO APPLY, IT IS IMPERATIVE THAT YOUR ENJOY BE SERVICED, HANDLED AND ATTENDED TO ONLY BY CHEVROLET RETAILER AS SET FORTH IN THIS BOOKLET.

11. The following requisite document should be presented to the CHEVROLET retailer at the time of making a claim under New Vehicle Warranty:

- Original invoice issued by CHEVROLET retailer.
- Warranty and service booklet / maintenance record.
- Any other document deemed to be necessary by CHEVROLET retailer and/or General Motors India Pvt. Ltd..

PREDELIVERY INSPECTION AND VEHICLE DELIVERY

Before delivering the vehicle we carried out a thorough predelivery inspection in order to ensure that your Chevrolet vehicle is in a fault-free condition. Accompanying this appropriately filled out service booklet (Owner's Manual) are the tool kit and your vehicle documents.

You have been informed of the service intervals and necessary service checks, including under extreme operating conditions and in particular with regard to oil changing of petrol engines.

City, date :

CHEVROLET Retailer's / ASO's Stamp and Signature

12-10 Service and Warranty

**OWNER'S
STATEMENT OF ACCEPTANCE**

I hereby certify that the vehicle has been delivered in an orderly and proper operating condition, including **Keys, Service Booklet (Owner's Manual) and Tool Kit. I have read and understood the terms and conditions pertaining to the New Vehicle Warranty and agree to abide by the same.**

I have been informed of the service intervals and necessary service checks, including under extreme operating conditions.

Date of delivery :

City, date :

Name and signature of customer :

This sheet must be detached prior to vehicle delivery and placed with the vehicle file **after it has been signed** by the customer.

12-12 Service and Warranty



Dear Customer,

We are confident that you and your family would be enjoying the safe and comfortable drive of the Chevrolet Enjoy.

We would like to undertake a thorough check-up of the vehicle at 1000 kms or 30 days, whichever occurs earlier. This will also allow us to re-emphasize the salient features of the Enjoy to you.

In the unlikely event of an emergency assistance, please call your

nearest CHEVROLET retailer as mentioned in this booklet or please feel free to call our 24 hr. helpline at 1800 3000 8080.

**1st Free Inspection - 1 Month / 1000 km
(whichever occurs earlier)**

VIN no. _____

PDI no. _____

Date of service _____

Date of delivery _____

Retailer code _____

Customer's name _____

Customer's tel. no. _____

I confirm that the vehicle has been inspected and delivered to my satisfaction.

Retailer's Signature

Customer's Signature

1st Free Inspection - 1 Month / 1000 km (whichever occurs earlier)

GENERAL STATUS REVIEW

- | | | | |
|--------------------------------|--------------------------|----------------------|--------------------------|
| Check closing efforts of doors | <input type="checkbox"/> | Keyless entry system | <input type="checkbox"/> |
| Other functions | <input type="checkbox"/> | | |

UNDER HOOD

- | | | | |
|--|--------------------------|------------------|--------------------------|
| Check fluid levels | <input type="checkbox"/> | Engine oil level | <input type="checkbox"/> |
| Brake/clutch oil level | <input type="checkbox"/> | Coolant level | <input type="checkbox"/> |
| Power steering oil | <input type="checkbox"/> | M/T oil | <input type="checkbox"/> |
| Windscreen washer level & add washer fluid | <input type="checkbox"/> | | |

UNDERBODY, WHEELS

- | | | | |
|--|--------------------------|---------------------|--------------------------|
| Visually check routing, leaks & damage | <input type="checkbox"/> | Check tyre pressure | <input type="checkbox"/> |
|--|--------------------------|---------------------|--------------------------|

ELECTRICAL CHECKS

- | | | | |
|--|--------------------------|------------------------------|--------------------------|
| Malfunction indicator lamp | <input type="checkbox"/> | Charging lamp | <input type="checkbox"/> |
| Oil pressure lamp | <input type="checkbox"/> | Parking brake lamp/indicator | <input type="checkbox"/> |
| High beam/Turn signal Hazard indicator | <input type="checkbox"/> | All other telltale lamp | <input type="checkbox"/> |
| Cigarette lighter/rear defogger | <input type="checkbox"/> | Check lighting system | <input type="checkbox"/> |
| Horn/Radio/Outside Mirrors | <input type="checkbox"/> | High/Low beam/Hazard signal | <input type="checkbox"/> |
| Turn signal/Headlamp flash signal | <input type="checkbox"/> | Front fog lamps/Tail lamps | <input type="checkbox"/> |
| Stop lamp/Reversing lamp | <input type="checkbox"/> | Dome lamp/Reading lamp | <input type="checkbox"/> |

DYNAMIC EVALUATION

- | | | | |
|--|--------------------------|--|--------------------------|
| Steering function/noise/abnormal drag | <input type="checkbox"/> | Clutch & gear shifting function/ noise | <input type="checkbox"/> |
| Accelerating & braking function/ noise | <input type="checkbox"/> | Check tyres | <input type="checkbox"/> |
| Any other abnormal noise | <input type="checkbox"/> | | |

Note - Cost of materials and consumables to be borne by customer.

For detailed information refer section 'Scheduled Maintenance'.

2nd Free Inspection - 6 Months / 5000 km (whichever occurs earlier)

ENGINE CONTROL SYSTEM

- Drive Belt Engine Oil
(Alternator, Power Steering and A/C Compressor)
- Engine Oil Filter Cooling System Hose and Connections
- Engine Coolant Fuel Filter
- Fuel Line and Connections Air Cleaner Element
- Spark Plugs & Spark Plug Wires Throttle Body

CHASSIS AND BODY

- Exhaust Pipe & Mountings Brake Clutch Fluid
- Front Brake Discs & Pads Rear Brake Drums & Linings
- Parking Brake Brake Line and Connections
(Including Booster)
- Manual Transaxle Fluid (Replace) Rear Axle Differential Fluid (Replace)
- Tire Condition and Inflation Pressure Steering Wheel & Linkage
- Wheel Alignment Wheel Balancing
(As and when required or as suggested by CHEVROLET retailer.)
(As and when required or as suggested by CHEVROLET retailer.)
- Power Steering Fluid Power Steering Lines
- Propeller Shaft and its Universal Joints Safety Belts, Buckles & Anchorages
- Lubricate Locks, Hinges & Hood Latch
- Chassis and Underbody Bolts and Nuts Tight / Secure

Note - Cost of materials and consumables to be borne by customer.
For detailed information refer section 'Scheduled Maintenance'.

CHEVROLET Inspection

2nd Free Inspection - 6 Months / 5000 km (whichever occurs earlier)

VIN _____

Regn. No. _____

Delivery date _____

Date of service _____

Kms _____

I confirm that the job has been attended to my satisfaction.

Customer's Signature

Labour free & Parts are chargeable
(Retain with job card)

12-16 Service and Warranty

Delivering Retailer's stamp & date

I hereby certify that the work has been carried out as per the schedule.

Servicing Retailer's / ASO stamp & date

3rd Free Inspection - 1 Year / 10000 km (whichever occurs earlier)

ENGINE CONTROL SYSTEM

- Drive Belt Engine Oil (Replace)
(Alternator, Power Steering and A/C Compressor)
- Engine Oil Filter (Replace) Cooling System Hose and Connections
- Engine Coolant Fuel Filter
- Fuel Line and Connections Air Cleaner Element
- Spark Plugs & Spark Plug Wires Throttle Body

CHASSIS AND BODY

- Exhaust Pipe & Mountings Brake Clutch Fluid
- Front Brake Discs & Pads Rear Brake Drums & Linings
- Parking Brake Brake Line and Connections
(Including Booster)
- Manual Transaxle : Fluid / Leak Check Rear Axle Differential : Fluid/Leak Check
- Tire Condition and Inflation Pressure Steering Wheel & Linkage
- Wheel Alignment Wheel Balancing
(As and when required or as suggested by CHEVROLET retailer.)
(As and when required or as suggested by CHEVROLET retailer.)
- Power Steering Fluid Power Steering Lines
- Propeller Shaft and its Universal Joints Safety Belts, Buckles & Anchorages
- Lubricate Locks, Hinges & Hood Latch
- Chassis and Underbody Bolts and Nuts Tight / Secure

Note - Cost of materials and consumables to be borne by customer.
For detailed information refer section 'Scheduled Maintenance'.

CHEVROLET Inspection

3rd Free Inspection - 1 Year / 10000 km (whichever occurs earlier)

VIN _____

Regn. No. _____

Delivery date _____

Date of service _____

Kms _____

I confirm that the job has been attended to my satisfaction.

Customer's Signature

Labour free & Parts are chargeable
(Retain with job card)

12-18 Service and Warranty

Delivering Retailer's stamp & date

I hereby certify that the work has been carried out as per the schedule.

Servicing Retailer's / ASO stamp & date

BATTERY

Battery type : _____

Battery make : _____

Battery number : _____

Important Instructions

- The battery must be fitted firmly in the cradle.
- Connecting cables and connectors must be fastened securely on to the battery.
- Connections must be made in the right polarity.
- Terminals must be kept coated with petroleum jelly/vaseline. DO NOT USE GREASE.
- Battery top & vent plugs must always be kept clean & dry .
- Electrolyte level must always be maintained in line with the bottom of the vent hole. In case of any drop in electrolyte level, add pure distilled water. NEVER ADD ACID.
- Battery is warranted for a period of one year only.
- Liability under this warranty is limited to defects arising out of faulty material or workmanship developing under proper use and NOT when the battery is merely discharged.

- Defects arising out of faulty vehicle electrical systems, negligent maintenance, incorrect charging or improper filling of the battery by unauthorized dealers/auto electricians are not covered by warranty.
- Consequent liabilities are not covered by this warranty policy.
- Get battery checked every 3 months.

CHEVROLET retailer's
Stamp

**SEPARATE
CORROSION PROTECTION
SERVICE**

Body/ Underbody Corrosion Protection Service

General Motors India Pvt. Ltd. provides a three (3) years or 1,00,000 kms (whichever is earlier) warranty vehicle that no rust-through of the body/underbody will occur, provided that the directives from General Motors India Pvt. Ltd. concerning the treatment, maintenance, and care of the vehicle (Owner's Manual) and especially the inspection and checks prescribed in the service booklet have been carried out.

Furthermore, the body paintwork and the corrosion protection must be visually inspected for damage as part of the regular annual inspection or 10,000 kms service. The customer is informed of any damage detected and measures to rectify this damage. Any damage discovered is also indicated in the following corrosion protection diagram.

Confirmation of the inspection is indicated by a stamp and dated signature, accompanied by indication of the vehicle mileage on the following verification documents.

Make use of this possibility in order to avoid problems during warranty claims regarding rust- through of the body / underbody.

The rust through warranty is not applicable if areas damaged by any reason remain unattended and become the cause of corrosion.

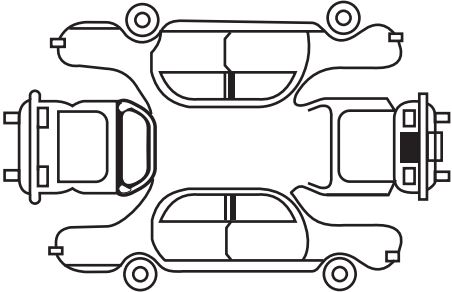
All repairs when required should be carried out promptly and by the CHEVROLET retailer.

BODY INSPECTION RECORD

Vehicle identification number _____

Registration number _____

Name / address of owner _____



- Use the following symbols to indicate damage.**
- Chipping
 - ▲ Scratch
 - ↑ Antirust re-treatment necessary
 - × Dent / Bumpy
 - Other damage

In order to maintain the General Motors India Pvt. Ltd. rust-through warranty, the vehicle must be subjected to an inspection by CHEVROLET retailer once a year. Any resulting work is subject to a charge.

Check-up 1 year after initial registration.

Check-up date _____

Odometer reading _____

- Damage found
- 1. Outer body Yes No
 - 2. Under body Yes No
 - 3. Engine compartment Yes No

Retailer stamp / signature _____

Damage repaired Yes No

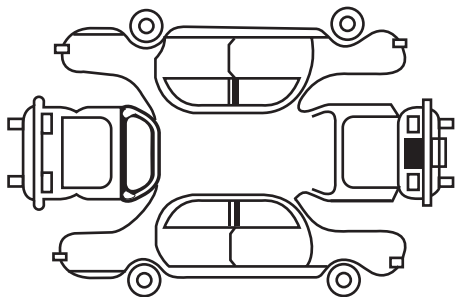
Remarks : _____

BODY INSPECTION RECORD

Vehicle identification number _____

Registration number _____

Name / address of owner _____



Use the following symbols to indicate damage.

- Chipping × Dent / Bumpy
- ▲ Scratch ■ Other damage
- ↑ Antirust re-treatment necessary

In order to maintain the General Motors India Pvt. Ltd. rust-through warranty, the vehicle must be subjected to an inspection by CHEVROLET retailer once a year. Any resulting work is subject to a charge.

Check-up 2 year after initial registration.

Check-up date _____

Odometer reading _____

- Damage found
- | | | |
|-----------------------|------------------------------|-----------------------------|
| 1. Outer body | Yes <input type="checkbox"/> | No <input type="checkbox"/> |
| 2. Under body | Yes <input type="checkbox"/> | No <input type="checkbox"/> |
| 3. Engine compartment | Yes <input type="checkbox"/> | No <input type="checkbox"/> |

Retailer stamp / signature _____

Damage repaired Yes No

Remarks : _____

EMISSION WARRANTY

(Applicable in NCR Delhi, Chennai, Kolkata and Mumbai)

Subject to other terms of the warranty policy and the conditions and obligations laid down hereunder, General Motors India Pvt. Ltd., hereafter called General Motors India Pvt. Ltd., certifies that the components liable to affect the emission of the gaseous pollutants in the vehicle in the normal use despite the use to which it may be subjected, comply with the provisions of Rule 115 (2) of the Central Motor Vehicle Rules, 1989, and further warrants that if on examination by a service center duly authorized by the General Motors India Pvt. Ltd., the vehicle is discovered to be failing to meet the emission standard as specified in the said rule, our authorized service center shall take such corrective measures as may be necessary and shall at its sole discretion either repair or replace free of charge such components of emission control system as are specified in Annexure-II hereof.

The definitions of various terms used in

Emission warranty proposal are given in Annexure-I. These definitions shall be in line with the definition of the existing product Warranty definition.

Conditions :

1. This warranty will be in addition to and will run concurrently and parallel to the product warranty and will apply only in respect to components as mentioned in Annexure-II.
2. The period of the vehicle's warranty shall commence from the date of the vehicle sale.
- 2.1 Warranty period - **1,00,000 kms or 3 years** whichever occurs earlier, from date of the vehicle sale.
- 3 The warranty claim will be accepted only after examination carried out by CHEVROLET retailers leading to a firm conclusion that none of the original settings/specifications have been tampered with and that the components (s) as mentioned in Annexure-II has/have a manufac-

turing defect, and / or, that the vehicle is unable to meet the In-use emission standards.

4. The methods of examination to determine the warrantable condition of the components will be at sole discretion of General Motors India Pvt. Ltd. and or its retailers and results of such examination will be final and binding. If, on examination, the warrantable condition is not established, General Motors India Pvt. Ltd. will have the right to charge full, or part, of the cost of such examination and resulting repairs / rectification.
5. In case of acceptance of the warranty under Emission Warranty, General Motors India Pvt. Ltd. will replace, at retailers, free of charge, the components which are covered as mentioned in Annexure-II, but the consumables as mentioned in OM shall be charged as per actual applicable rates.
6. In case of a vehicle in which the

components covered under Emission Warranty or the associated parts, are not independently replaceable, on account of their being integral parts of a complete assembly, General Motors India Pvt. Ltd. will have the sole discretion to replace either the entire assembly or by using some of the parts of the system through suitable repairs or modifications.

7. Any consequential repairs or replacement of parts which may be found necessary to establish compliance to In-use emission standards, in addition to the replacement of the components covered under Emission Warranty, will not be made free of cost unless such parts are also found to be in a warrantable condition within the scope and limit of the product Warranty (**Chevrolet Enjoy 3 years /1,00,000 kms, whichever is earlier on vehicle**). The consumables and labour shall be charged per actual during such repairs or replacement of

parts.

8. All the parts removed for replacement under warranty will be the property of General Motors India Pvt. Ltd.
9. General Motors India Pvt. Ltd. will not be responsible for the cost of transportation of the vehicle to the nearest retailer or any loss due to non-availability of the vehicle during the period of a warranty claim and examination by CHEVROLET retailers.
10. General Motors India Pvt. Ltd. will not be responsible for any fines, penalties that may be charged by Statutory or Regulatory authorities on account of failure of the vehicle to comply with the in-use emission standards on the vehicle not meeting any such given legal/ regulatory requirement, during inspection by such authorities.
11. Emission Warranty will be applicable irrespective of the change of ownership of the vehicle provided

all the conditions as laid down in this document are met from the date of original sale of the vehicle.

This Emission Warranty will be applicable only if the customer :

- (i) Observes all the important instructions and any other precautions listed in the OM for use of the vehicle.
- (ii) Under all circumstances uses lubricants and fuel as recommended by General Motors India Pvt. Ltd.
- (iii) Regularly obtains and carries out maintenance at CHEVROLET retailers as per the list in this booklet only, in accordance with General Motors India Pvt. Ltd. guidelines and enters the details in the Service Booklet.
- (iv) Immediately approaches the nearest CHEVROLET retailers as per the list in this booklet upon discovery of failure to comply with the In-use emission standard inspite of having

maintained and used the vehicle in accordance with the instructions in the OM and having carried out such repairs and adjustments as may be required with a view to establish such compliance.

- (v) Produces the ‘Pollution Under Control (PUC)’ certificate valid for the period immediately preceding the test during which the failure is discovered, the test having been carried out either for obtaining a new certificate, or pursuant upon being directed by an officer as referred to in sub – rule (2) of Rule 116 of the Central Motor Vehicles Rules.
- (vi) Produces the service booklet (Owner’s Manual) and all relevant bills for verification of details.
- (vii) Produces receipts covering maintenance of the vehicle as specified in the OM from the date of original purchase of the vehicle.
- (viii) Produces valid certificate of

insurance & RTO registration.

Conditions under which warranty is NOT applicable:

1. Non production/availability of a valid ‘Pollution under Control’ certificates as described in customer obligation (V).
2. In case the vehicle is not serviced by CHEVROLET retailers as per the list in this booklet as per the service schedule described in the maintenance chart given in the Owner’s Manual.
3. A vehicle, which has been subjected to abnormal use, abuses, neglect and improper maintenance or has met with an accident.
4. Use of such replacement parts, which are not specified and approved by General Motors India Pvt. Ltd.
5. If the vehicle or parts thereof, have been altered, tampered with or modified or replaced in an unauthorized manner.

6. A vehicle on which the odometer is not functioning or the odometer has been changed or the reading of which has been changed / tampered with so that the actual mileage cannot be readily determined.
7. A vehicle, which has been used, for competitions, races, rallies or for the purpose of establishing records.
8. Examination by CHEVROLET retailers as per the list in this booklet of the vehicle shows that any of the conditions stipulated in the OM with regard to use and maintenance have been violated.
9. A vehicle, which has been run on adulterated fuel or lubricant or fuels lubricants other than those, specified by GMI.

Scope and Limits:

1. This emission warranty is in addition to the product warranty for the vehicle as per the scope and limit described in the OM and all conditions described therein will

12-28 Service and Warranty

apply, in addition to those exclusively stipulated in this warranty.

2. The emission warranty covers only compliance with the emission standard as specified in sub rule (2) of Rule 115 of CMVR. It does not cover any other performance of these parts or routine test and consequent maintenance or adjustments to establish compliance to the in-use emission standard as applicable to the state, in which the vehicle is registered and is in use.

ANNEXURE-I

Definitions:

1. **Vehicle** : The Motor Vehicle approved for sale within India under the provisions of Central Motor Vehicle Rules, 1989 or any subsequent amendment or substitution thereof.
2. **Owner's Manual (OM)** : A document given to the customer at the time of sale of the vehicle giving guidelines on use and maintenance of the vehicle including the terms and conditions of Warranty
3. **Maintenance** : Maintenance as per the schedule provided in the Owner's Manual by General Motors India Pvt. Ltd. including inspection, verification check, adjustment and replacement, if necessary.
4. **Service Booklet** : The scheduled service record book in Owner's Manual, which is required to be filled by CHEVROLET retailer at the time of service.
5. **Abnormal Use** : The situations when the vehicle is put to use other than that intended by General Motors India Pvt. Ltd. such as racing, overloading or use of adulterated fuel or fuel not recommended by General Motors India Pvt. Ltd.
6. **Manufacturing Defect** : Means deficiency or deviation from normal production tolerance in design, material, or workmanship in a device or system which affects any parameter, performance, or component belonging to emission control system.
7. **Product Warranty** : The manufacturer warranty as provided by General Motors India Pvt. Ltd., which covers failure of various parts and systems as per the Owner's Manual 3 years/1,00,000 kms, whichever is earlier on vehicle.
8. **Emission Warranty** : Warranty for emission performance of the vehicle as determined by sub-rule (2) of rule no 115 of the Central Motor Vehicles Rules, 1989.
9. **Authorized Service Centers** : Any service facilities authorized by General Motors India Pvt. Ltd. to perform warranty repairs. This shall include all of CHEVROLET retailers that are recognised for service of subject vehicles or any other service center duly authorized by General Motors India Pvt. Ltd.
10. **Warrantable Condition** : Warrantable condition means any condition of a vehicle, which triggers the responsibility of General Motors India Pvt. Ltd. to take corrective action within the framework of emission Warranty. This however shall not include any statutory or regulatory fines or penalties.
11. **Warranted Parts** : Those components, listed as per Annexure-II.

12-30 Service and Warranty

ANNEXURE-II

List of Components Covered under Emission Warranty

S. No.	Part name
1	Catalytic Converter***
2	Exhaust Manifold Gasket
3	Electronic Control Module
4	Idle Air Control Motor
5	Manifold Absolute Pressure Sensor
6	Throttle Position Sensor
7	Air Temperature Sensor
8	Oxygen Sensors
9	Coolant Temperature Sensor
10	Injectors
11	Knock sensor
12	Exhaust Gas Re-circulation Valve
13	Fuel Pump

*** Catalytic Converter is covered only for emission related failures as provided under the warranty statement. Replacements if any shall not be applicable for breakage and noise problems.

Note : All the above mentioned parts are covered only if the car fails to meet the prescribed Emission norms. Any other performance problems shall be treated as not relevant to the Emission warranty.

24x7 ROADSIDE ASSISTANCE

How to request assistance	13-2
Benefits	13-3
Covered area	13-3
Chevrolet Roadside Assistance at home or on the road	13-3
Vehicle recovery following mechanical or electrical breakdown	13-3
Vehicle recovery following an accident	13-4
Taxi benefit	13-4
Urgent message relay	13-4
Locked keys/lost key	13-4
Non covered events under the Chevrolet Roadside Assistance program	13-4
Special exclusions	13-6
Adverse weather	13-6
Force majeure	13-7
External factors	13-7
Right of refusal	13-7
Disputes	13-7
Summary	13-7
Disclaimer	13-8



24x7x365 Days Access to Toll Free Number



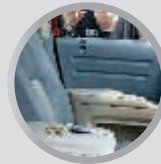
Fuel Assistance



Taxi Assistance



Tyre Assistance



Key Lockout Services



Towing Facility



Battery Jump Start

13-2 24x7 Roadside Assistance

The Chevrolet Roadside Assistance Program is focused to enhance your overall Chevrolet ownership experience by providing 24x7 Roadside Assistance emergency support for a period of three years starting from the date of invoice of the Chevrolet vehicle sold from an authorized CHEVROLET retailer, in the unfortunate event of vehicle breakdown or accident of your Chevrolet vehicle. The Chevrolet Roadside Assistance Program has specially been designed to take care of your car's safety and your comfort. The Benefits and the Terms & Conditions of the Chevrolet Roadside Assistance Program are mentioned in this Owner's Manual. You are therefore, requested to read this Owner's Manual very carefully.

HOW TO REQUEST ASSISTANCE

In the event of a breakdown or accident, simply call the Chevrolet 24x7 Roadside Assistance Program on Toll Free Number* **1800 103 8090**. (*In case of difficulty in reaching this toll-free number from your phone network, please dial **0124-4388090**. Call charges apply.)

Please have the following information in hand when you call for assistance:

1. Your name and contact phone number.
2. Vehicle registration number.
3. Vehicle identification number (VIN) mentioned in the vehicle registration certificate.
4. Vehicle model.
5. Date of invoice.
6. Name of the authorized retailer from whom Chevrolet vehicle was purchased.
7. Brief description of the problem faced.
8. Specific location of the vehicle along with the nearest landmark.

The Chevrolet Roadside Assistance Program is available only if the above mentioned dial-in numbers are contacted.

REMARKS

1. Once you have called Chevrolet Roadside Assistance Program, it is advisable that you stay with your vehicle.
2. Park your vehicle on the edge of the road and put the hazard warning lights on.
3. If you are on a highway, place the warning triangle provided with the Chevrolet vehicle approximately 3 meters from the vehicle in the direction of the on-coming traffic.

BENEFITS

Chevrolet Roadside Assistance Program can be availed when your vehicle is immobilized due to:

1. Mechanical or electrical breakdown.
2. Road traffic accident where the vehicle is immobilized.
3. Human error.
4. Battery problems: Dead battery.
5. Fuel problems: Out of fuel, incorrect fuel or contaminated fuel.
6. Key problems: Locked keys, lost keys or broken vehicle keys.
7. Tyre problems: Puncture – replace with spare tyre available in the vehicle, bolts or valve related issues.

COVERED AREA

Customers are entitled to the Benefits provided under this Chevrolet Roadside Assistance Program on a PAN India level (only exception in coverage is Andaman Nicobar Islands, where this Chevrolet Roadside Assistance Program is currently not available), provided however the Chevrolet vehicle has broken down on gazette, bitumen/concrete road. Chevrolet Roadside Assistance Program will also be provided to a customer when at home, on the roadside, on the highway, in a parking lot, etc., but if you are already at an authorized CHEVROLET retailer, then you are not entitled to the Benefits under the Chevrolet Roadside Assistance Program.

CHEVROLET ROADSIDE ASSISTANCE AT HOME OR ON THE ROAD

If your Chevrolet vehicle is immobilized whether at home or on the road, Chevrolet Roadside Assistance Program personnel will attend to your Chevrolet vehicle. If the problem is something that can be resolved at the roadside, a mobile technician will be sent to mobilize your vehicle at the roadside.

VEHICLE RECOVERY FOLLOWING MECHANICAL OR ELECTRICAL BREAKDOWN

If your Chevrolet vehicle is unable to be mobilized following a mechanical or electrical breakdown, a recovery vehicle will be sent to recover your Chevrolet vehicle to the nearest authorized CHEVROLET retailer.

VEHICLE RECOVERY FOLLOWING AN ACCIDENT

If your Chevrolet vehicle is unable to be mobilized following a road traffic accident, Chevrolet Roadside Assistance Program personnel will organize to send a recovery vehicle to recover your Chevrolet vehicle to the nearest authorized CHEVROLET retailer, however all the costs towards repairs will be borne exclusively by you.

TAXI BENEFIT

If your Chevrolet vehicle is recovered to an authorized CHEVROLET retailer by Chevrolet Roadside Assistance Program personnel, the driver and passengers, if any, of the Chevrolet vehicle will be provided with one free taxi ride, up to 50 kms from the breakdown location, in order to continue your journey. The maximum number of persons that can avail this facility would, at no point of time, exceed the number of people including the driver, Chevrolet vehicle is permissible to carry under the applicable rules and regulations.

URGENT MESSAGE RELAY

You will be provided an urgent message relay service to help keep in contact with family, friends and/or work colleagues in the event of a vehicle breakdown or accident.

LOCKED KEYS/LOST KEY

Whilst we will always endeavor to provide assistance by the most efficient method, however, modern security systems sometimes make it extremely difficult for us to gain entry to your vehicle at the roadside should the spare keys not be available. If a forced emergency entry is required, you will be asked to provide the approval granting the Chevrolet Roadside Assistance Program personnel the requisite permission to gain this access and further confirm that all repair costs relating to any resulting damages to your vehicle will be your sole responsibility and borne by you or customer's car may be towed to nearest authorized CHEVROLET retailer. In the event of lost key, provision of retrieving spare key from home will be provided only, if the event has occurred in the city you are residing.

NON COVERED EVENTS UNDER THE CHEVROLET ROADSIDE ASSISTANCE PROGRAM

Chevrolet Roadside Assistance Program is designed to help in events that lead to stoppage / immobilization of your vehicle. As a result, this program will not cover any of the following events that you may encounter while driving your vehicle:

1. Faulty fuel gauge.
2. Speedometer not working.
3. Air-conditioning not working.
4. When the passenger door (s) cannot be opened and there are no passengers in the vehicle.
5. Boot cannot be opened.
6. The front and/or rear demisters are not functioning.
7. Horn is not functioning. However, if the horn is sounding continuously, the Chevrolet Roadside Assistance Services will be provided.
8. Damaged door mirrors.
9. When the rear view mirror is damaged but it does not obstruct the driver's vision.
10. Damaged or faulty fuel cap but vehicle has not run out of fuel and there is enough fuel in the tank to enable the vehicle to reach the nearest authorized CHEVROLET retailer.
11. When the sunroof cannot be opened.
12. When the sunroof cannot be closed but weather conditions are fair and the vehicle is not exposed to any security risk.
13. When the windows cannot be opened.
14. When the windows cannot be closed but weather conditions are fair and the vehicle is not exposed to any security risk.
15. Seat adjuster is faulty but the vehicle can be safely driven.
16. When the passenger seat belts are faulty but there are no passengers in the vehicle.
17. Faulty security system unless the vehicle is immobilized or unless the alarm is sounding continuously.
18. Transmission stuck in sports/winter mode.
19. When the ABS lights are illuminated.
20. Air bag warning lights are illuminated.
21. Traction control lights are illuminated.
22. Other non-safety related lights/service warnings are illuminated.
23. When your vehicle runs out of windscreen wiper fluid.
24. Front windscreen wipers faulty but weather conditions are fair.
25. Rear windscreen wiper faulty.
26. Vehicle pick-up and drop for routine maintenance is not included.

SPECIAL EXCLUSIONS

The following scenarios are special exclusions under the Chevrolet Roadside Assistance Program, and therefore neither CSIPL nor its authorized retailers will be responsible for any assistance/repair costs and are excluded from Chevrolet Roadside Assistance Program:

1. Vehicle is involved in motor racing, rallies, speed or endurance tests, practice runs or operated outside official roads.
2. Assistance is required as a result of wars, riots, uprising, mass political demonstrations, pillage, strike, use for military purposes or acts of terrorism, earthquake damage, freak weather conditions, atmospheric phenomena, nuclear transformation phenomena or radiation caused by artificial acceleration of atomic particles.
3. Breakdown is caused by deliberate damage, vandalism or participation in a criminal act or offence.
4. The immobilization is resulting from damage caused by intervention of the police or other authorities.
5. Any damage resulting from the use of the vehicle against the recommendations of the Owner's Manual.
6. Any consequential costs and/or damage to property as a result of a breakdown in or on the vehicle.
7. Any cost as a result of damage and or claim caused while the driver was operating the vehicle under the influence of alcohol, solvent abuse, drugs or other illegal substance.
8. Vehicles kept in a non-roadworthy condition or not serviced in accordance with the manufacturer's recommendations and any such other events that may be decided by CSIPL from time to time.

ADVERSE WEATHER

On occasion of adverse weather conditions such as floods, heavy rain, thunder, lightning or other external factors, which may affect our ability to provide the services effectively and it may become physically impossible to assist you until the weather improves. During such time, our main priority will be to provide the necessary assistance to you and the passengers to be taken to a place of safety. The recovery of your vehicle may not be possible until the weather condition permits.

FORCE MAJEURE

CSIPL shall not be liable for its inability to provide the services under the terms of service set out in this Owner's Manual if such inability to provide the services is caused or contributed by causes beyond CSIPL's reasonable control including but not limited to acts of god, acts of public enemy or statutory authorities or courts, terrorism, or any acts of any person engaged in subversive activity or sabotage, strikes, embargoes, public rallies and protests.

EXTERNAL FACTORS

You agree and understand that though Chevrolet Roadside Assistance Program will make every effort to reach you once you have made the call and the call is registered however, external conditions including traffic could delay such an effort.

RIGHT OF REFUSAL

Chevrolet Roadside Assistance Program shall have the right to refuse any or all benefits under the program, if it is found that the information furnished by you at the time of making the request for assistance are false.

DISPUTES

All disputes arising out of this Roadside Assistance Program shall be submitted to a sole arbitrator to be appointed by CSIPL and the place of arbitration shall be CSIPL Office at Gurgaon, Haryana. The arbitration proceedings shall be governed by the Arbitration and Conciliation Act, 1996 and shall be conducted in English. The Courts of Delhi shall have the jurisdiction.

SUMMARY

AFTER READING THIS OWNER'S MANUAL, YOU SHOULD UNDERSTAND:

1. The scope of Chevrolet Roadside Assistance Program.
2. You should at all times retain the Owner's Manual and produce whenever required.
3. This Owner's Manual must remain with the Chevrolet vehicle, if the vehicle is resold.

If you have any questions, your authorized CHEVROLET retailer / Chevrolet Roadside Assistance will be happy to assist you.

13-8 24x7 Roadside Assistance

DISCLAIMER

CSIPL shall be under no liability whatsoever in respect of any loss or damages arising directly or indirectly due to any delay or non-delivery of the services under the CSIPL Roadside Assistance Program. In case the vehicle cannot be mobilized on-site, Customers are advised to use the towing facility as may be arranged by CSIPL Roadside Assistance Program Vendor personnel for taking the vehicle to the nearest authorized workshop. In no condition, shall the vehicle be towed to any unauthorized workshop. Customer agrees, that it shall be a condition precedent that the Customers remove their personal belongings like laptops, wallets, mobile phone and other such valuable items before allowing the Roadside Assistance Vendor personnel to tow the vehicle and also take an inventory list of other belongings inside the vehicle including, the current physical conditions of the vehicle like dents, scratches, tools and spare tyre and to verify the list before taking possession of the vehicle from the authorized workshop. CSIPL at its discretion may refuse to render these services to any such Customers who in the reasonable discretion of CSIPL is misrepresenting the facts, in relation to the vehicle or any other details sought by the Roadside Assistance call center or the personnel and/or in the event of unruly, rude, use of abusive and foul languages, physical abuse and such other similar behavior to the Roadside Assistance Vendor's personnel by the Customer or the occupant of the vehicle. CSIPL reserves the right to change or modify any of the services and the charges thereto that are rendered in this Roadside Assistance Program without any notice.

FIND NEW ROADS



24x7 **ROADSIDE
ASSISTANCE**



1800-103-8090
(Toll Free No.)
0124-4388090

SERVICE NETWORK

CHEVROLET SALES INDIA SALES AND SERVICE NETWORK

North Zone.....	14-2
West Zone	14-7
South Zone	14-12
East Zone	14-17
International	14-20

- ★ Indicates Retailer (Sales and Service)
- Indicates Chevrolet Authorized Service Center
Authorized Service Center (ASC) are authorized to carry out Periodic Maintenance (Free/Paid, Minor Running Repair) Only.

The list of authorized Retailers / ASC are mentioned herein as of March, 2015. For any change in authorized Retailers /ASC, please visit www.chevrolet.co.in.

14-2 Service Network

NORTH ZONE

STATE - DELHI

- * **Ganganagar Automobiles Pvt. Ltd.**
(Aarav Chevrolet)
Showroom :
11 - A, Shivaji Marg, Moti Nagar,
Opp. L & T Building, New Delhi - 110 015
Tel. : 011 - 41238888

- Workshop :**
56, Rama Road, Opposite Radha Palace Banquet Hall,
New Delhi -110 015
Tel. : 011 - 49258888, 8826292810, 8826292815

- * **Arya Automobiles**
Showroom :
Plot No. 193, Metro Pillar No. 543,
Main Rohtak Road, Mundka, New Delhi - 110 041
Tel. : 011 - 8743030301 / 302
Fax : 011 - 28342887

- Workshop :**
KH-82/21/2 &22/2, Phirni Road, Udyog Nagar
Industrial Area, Near Mundka Metro Pillar No. 547,
New Delhi - 110 041
Tel. : 011 - 28342884

- * **Go Auto Pvt. Ltd.**
Showroom :
A 231, Okhla Industrial Area, Phase-1,
New Delhi - 110 020
Tel. : 011 - 41855500, 9015444555

- Workshop :**
B-25, Okhla Industrial Area, Phase-1,
New Delhi - 110 020
Tel. : 011 - 41955500, 9015777888

- * **Globus Motocorp Pvt. Ltd.**
Showroom :
ZB-43 & 44/487, Zulphe Bengal, Main GT Road,
Dilshad Garden, Delhi - 110095
Tel. : 011 - 43355555

Workshop :

B-31, Jhilmil Industrial Area, Behind Jhilmil Metro
Station, New Delhi - 110095
Tel. : 011 - 43388888

- * **Metro Motors Pvt. Ltd.**
Showroom & Workshop :
Bawa Potteries Industrial Complex,
Aruna Asaf Ali Marg, Vasant Kunj - 110 070
Tel. : 011 - 41761717, 46156666

Showroom 2 :

A-2/6, Safdarganj Enclave,
Africa Avenue, New Delhi - 110 029
Tel. : 011 - 46146666 / 75

- * **Sparsh Autotech Pvt. Ltd.**
Showroom :
D-12 &13, Rajapuri, Madhuvihar, Opp. Sector-5,
Dwarka, New Delhi -110075
Tel.: 011- 49115911

Workshop :

32/8, Shanti Garden, Matiala Industrial Area,
Near DPS School, Dwarka, New Delhi -110059
Tel.: 011- 49116911

- * **Triumph Motors**

Showroom :

A-9/3 Wazirpur Industrial Area, Near Richi Rich,
New Delhi - 110 052
Tel. : 011 - 47444666
Fax : 011 - 42475584

Workshop 1 :

C-13, Plot No. 65, SMA Industrial Area, GTK Road,
Opp. Jahangir Puri, Azadpur, New Delhi - 110 033
Tel. : 011 - 47444777

Workshop 2 :

G-14, Udyog Nagar, Rohtak Road, Peeragarhi,
Delhi - 110 041
Tel. : 011 - 42010101
Fax : 011 - 42010132

STATE - HARYANA

- * **AMBALA**
Ambala Automobiles India Ltd.
Showroom :
Ramgarh, Near Central Jail Bridge, Chandigarh Road,
Baldev Nagar, Ambala City - 134 003
Tel. : 0171 - 2543010
Fax : 0171 - 2543510

- Workshop :**
Barwala, Naraingarh Road, Ambala City - 134 003
Tel.: 0171 - 2678013

- * **BHIWANI**
Shailesh Automobiles
Showroom & Workshop :
Rohtak Road, Bhiwani - 127021
Tel. : 01664 -204006/008

- * **DADRI**
Shailesh Automobiles
Showroom & Workshop :
Near Loharu Chowk, Bhiwani Road, Dadri - 127 306
Tel. : 9253660069/70

- * **FARIDABAD**
Regent Automobiles Ltd.
Showroom :
14/3, Mathura Road, Faridabad - 121 003, Haryana
Tel. : 0129 - 4088530 / 31
Fax : 0129 - 2252304

- Workshop 1 :**
Plot No.57, Sector-27C, Opp. Crown Interiorz Mall,
13/1, Mathura Road, Faridabad - 121 003
Tel. : 0129 - 2252151 - 55, 4261200

- Workshop 2 :**
Plot No.57, Sector-27C, Opp. Crown Interiorz Mall,
13/1, Mathura Road, Faridabad - 121 003
Tel. : 0129 - 2577777

- * **GURGAON**
Bhanu Motors Pvt. Ltd.
Showroom :
Shop No. 4, Omaxe Wedding Mall, Main Sohna Road,
Near Subhash Chowk, Gurgaon - 122001
Tel. : 0124 - 4757777

Workshop:

Plot No. 541, Sector-37, Part-II, Gurgaon - 122001
Tel. : 0124 - 4598888

- * **Gentech Toolings Pvt. Ltd.**
Showroom & Workshop 1 :
Plot No. 66, IDC, Opp. Sector - 14
Mehrauli - Gurgaon Road, Gurgaon - 122 001
Tel. : 0124 - 4638751 - 54, 4368787
Fax : 0124 - 4638700

Showroom 2 :

DLF City Court, Sikanderpur, Gurgaon - 122001
Tel. : 9582216504, 9582216510

- **Orix Auto Infrastructure Services Ltd.**
Workshop :
7B, Sector - 18, Maruti Industrial Area,
Gurgaon - 122 015
Tel. : 0124 - 3014700 / 701 / 719
Fax : 0124 - 3014702

YAMUNA NAGAR

- * **Oberoi Automobiles**
Showroom & Workshop :
Aggarsain Chowk, Near Gupta Palace,
Jagadhri - 135 003
Tel. : 01732 - 212030, 212010

KURUKSHETRA

- * **VPS Speciality Papers**
Showroom & Workshop :
Plot No.145 &146, Industrial Area, Sector 2,
Kurukshetra - 136 118
Telefax : 01744 - 231050

HISSAR

- * **Ashwani Automotors**
Showroom & Workshop :
9 km Stone, OP Jindal Marg, Hissar - 125 044
Tel. : 01662 - 220710 / 11 / 12

JHAJJAR

- * **Shailesh Automobiles**
Showroom & Workshop :
Tehsil Road Jhajjar, Haryana - 124 001
Tel. : 9253660066 / 9254171300

JIND

- * **Lekh Raj Motors Pvt. Ltd**
Showroom & Workshop:
Safidon Road, opp. Brahmin Dharamsala, Jind.
Tel. : 9992900082

KAITHAL

- * **Lekh Raj Motors Pvt. Ltd.**
Showroom & Workshop :
Ambala Road, Kaithal, Haryana - 136 027
Tel. : 0174 - 6226827

KARNAL

- * **Aryaman Automobiles**
Showroom & Workshop :
117/6, K.M. Milestone, Near Hotel New
World, G. T. Road, Karnal - 132 001
Tel. : 0184 - 2220011, 2220325
TeleFax : 0184 - 2220025

PANIPAT

- * **Aryaman Motors**
Showroom & Workshop :
Plot No 64, Sector -25, Huda Industrial Area Phase 1,
Panipat - 132 103
Tel. : 0180 - 2666222 / 2666800

ROHTAK

- * **Badhwar Automobiles Pvt. Ltd.**
Showroom & Workshop :
Sonepat Road, Rohtak - 124 001
Telefax : 01262 - 256666

REWARI

- * **Vardhman Automobiles Pvt. Ltd.**
Showroom & Workshop :
Opp. Gurudwara, Jhajhar Road, Rewari - 123 401
Tel. : 01274 - 250440 / 251188
Fax : 01274 - 255966

SONIPAT

- * **Malwa Motors Sales Pvt. Ltd.**
Showroom & Workshop :
NH-1, 31 Km Stone, G.T. Road, Kundli,
Sonipat - 131 001, Haryana
Tel. : 0130 - 2219384 - 85, 2370386, 2371386
Fax : 0130 - 2219384

SIRSA

- * **Padam Motors Pvt. Ltd.**
Showroom & Workshop :
Hisar Road, Opp Traffic Police Post, Sirsa - 125 055
Tel. : 01666 - 244445
Fax : 01666 - 244442

STATE - HIMACHAL PRADESH

KANGRA

- * **Himachal Autowheels Pvt. Ltd.**
(Platinum Chevrolet)
Showroom & Workshop :
N.H 20 Kachhiary, Kangra - 176 001
Tel. : 01892 - 260600/260601

MANDI

- * **Ram Hari Motors Pvt. Ltd.**
Showroom & Workshop :
Rani Ki Bain, Gutkar, Mandi - 175 021
Tel. : 01905 - 225692
Fax : 01905 - 221691

SOLAN

- * **Rajvir Motors**
Workshop :
Kalka Shimla Road, Near Mehta Market,
Kumarhatti, Solan, Himachal Pradesh - 173 229
Telefax : 01792 - 266338

UNA

- * **Bhagat Ram Motorways Pvt. Ltd.**
Showroom & Workshop :
Una Nangal Road, Rakkar Colony, Una - 174 303
Tel. : 01975 - 238799
Fax : 01975 - 238699

STATE - PUNJAB

AMRITSAR

- * **S V Motors**
Showroom :
Near Amritsar Gate, GT Road, Amritsar - 143 001
Tel. : 0183 - 2700102
Fax : 0183 - 2700101

Workshop :

Main GT Road, Opp. ITBP Office, Amritsar - 143 001
Tel. : 0183 - 2700201

14-4 Service Network

- BATALA**
* **Kashmir Automobiles Pvt. Ltd. (Platinum Chevrolet)**
Showroom & Workshop:
Opp. Cambridge International School, Saidmubarak,
Amritsar Road, Batala - 143 505
Tel.: 01871 - 241024
- BHATINDA**
* **Padam Cars Pvt. Ltd.**
Showroom & Workshop :
Goniana Road, 8th Mile Stone, NH-10,
Bhatinda - 151 005
Tel. : 0164 - 27601111 / 9216350205
Telefax : 0164 - 2760153
- CHANDIGARH**
* **Padam Motors Pvt. Ltd.**
Showroom:
182/2, Industrial Area, Phase 1, Chandigarh - 160 002
Tel. : 0172 - 5212900
- Workshop :**
185, Industrial Area, Phase 1, Chandigarh -160 002
Tel. : 0172 - 5212999
- JALANDHAR**
* **Aakriti World**
Showroom :
Ground Floor, Vasal Tower, Police Lines,
Opp. President Hotel, Jalandhar - 144 001
Telefax : 0181 - 5003333
- Workshop :**
1746 Ladowali Road, Near BSF Chowk,
Jalandhar - 144 001
Tel. : 0181 - 5057777
- LUDHIANA**
* **Padam Cars Pvt. Ltd.**
Showroom & Workshop :
Khasra No. 279/3, G.T. Road,
Dhandari Kalan, Ludhiana
Tel. : 0161 - 2510014
Telefax : 0161 - 2510015
- * **Padam Motors Pvt. Ltd.**
Showroom & Workshop :
Near Ayalli Chowk, Ferozepur Road,
Ludhiana - 141 001
Tel. : 0163-6225755, 9780000609

- ROPAR**
* **Padam Cars Pvt. Ltd.**
Showroom & Workshop :
Chandigarh Road, Nangal Chowk, Ropar - 140 001
Telefax : 01881 - 500099
- MOGA**
* **Padam Cars Pvt. Ltd.**
Showroom & Workshop :
Near Majestic Resorts, Ferozepur Road,
Moga - 142 001
Tel. : 01636 - 225755
- NAWASHAHAR**
* **Aakriti World**
Showroom & Workshop :
Chandigarh Road, Nawashahar, Punjab - 144 514
Tel. : 01823 - 285656
Telefax : 01823 - 285858
- PATIALA**
* **Padam Cars Pvt. Ltd.**
Showroom & Workshop :
Main Patiala - Rajpura Road,
Opp. Caspa Resort, Bahadurgarh, Patiala - 147 001
Tel. : 0175 - 2663813 - 14, 9217100905 - 9
Fax : 0175 - 2663828
- PATHANKOT**
* **Kashmir Automobiles Pvt. Ltd.**
Showroom & Workshop :
Simbel Chowk, Dalhousie Road, Pathankot - 145 001
Tel. : 0186 - 2257022 - 24
- SANGRUR**
* **Padam Cars Pvt. Ltd.**
Showroom & Workshop :
College Road, Opp. Kamal Palace, Sangrur - 148001
Tel. : 9216350134, 9216911461

STATE - RAJASTHAN

- * **AJMER**
Rajdeep Autowheels (P) Ltd.
Showroom :
12-15, ASC Road, Vaishali Nagar, Ajmer - 305001
Tel. : 0145 - 2628989 / 2625116

Workshop :
Khasara No-319 Kankarda Bhunaboy, NH-8,
Jaipur Road, Ajmer - 305001
Tel. : 0145 - 2788192 / 93 / 2788222 / 23

- ALWAR**
* **Triumph Motors**
Showroom & Workshop :
Old Delhi Road, Near Jhankar Hotel, Alwar - 301 001
Telefax : 0144 - 3047571 - 78
- * **BHILWARA**
Rajdeep Autowheels (P) Ltd.
Showroom & Workshop :
Payal Resort, Ajmer Road, Bhilwara - 311001
Tel. : 01482 - 265164
- * **BIKANER**
Sunehri Cars
Showroom & Workshop :
Plot No. 15, Transport Nagar,
NH-15, Ganganagar Road, Bikaner - 334 001
Tel. : 8003399060 / 66 / 69
- * **BANSWARA**
Atharva Motors Pvt. Ltd.
Workshop :
Janamedi, Udaipur Road, Banswara - 327 001
Tel. : 02962 - 250227
- * **CHITTORGARH**
Atharva Motors Pvt. Ltd.
Showroom :
Plot No. 86, Kabir Colony, Bhilwara Road,
Chittorgarh - 312001
Tel. : 01472 - 247598
Fax : 01472 - 247598
- Workshop :**
Near Saint Paul's School, Opp. Rajasthan State
Seed Corp., Nimbhera Road, Chittorgarh - 312 001
Tel. : 01472 - 240598
- * **CHOMU**
Triumph Motors
Showroom & Workshop :
Near Radha Soami Bagh, Jaipur Road,
Chomu - 303 702
Tel. : 0142 - 3304000

- JAIPUR**
 * **Triumph Motors**
Showroom 1 :
 Corporate Tower, A-1, Jawahar Lal Marg,
 Jaipur - 302 015
 Tel. : 0141 - 4057575
 Fax : 0141 - 4057500
- Showroom 2 :**
 C7D, Sawai Jai Singh Highway,
 Bani Park, Jaipur - 302 016
 Tel. : 0141 - 4122222
 Fax : 0141 - 4122233
- Workshop 1 :**
 G-109A, Sitapura Industrial Area, Jaipur - 302 004
 Tel. : 0141 - 5122333, 5113636, 5143737,
 5122797, 5122798, 5143636, 4090409
 Fax : 0141 - 5122552
- Workshop 2 :**
 E-12B, Vishwakarma Ind. Area, Road No. 01,
 Jaipur - 302 013
 Tel. : 0141 - 4255555
- Workshop 3 :**
 E1 - 2295, Ramchandrapura Industrial Area,
 Sitapura Ext, Jaipur - 302 022
 Tel. : 0141 - 4090409
- * **JHUNJUNU**
Triumph Motors
Showroom & Workshop :
 G1-8, 9 & H1-16,17, Phase - 2, RIICO Industrial Area,
 Jhunjunu - 333 001
 Tel. : 01592 - 203163, 250001 - 3, 250145, 250146
- * **JODHPUR**
Atharva Motors Pvt. Ltd.
Showroom :
 27/27A, Light Industrial Area,
 Near Shastri Circle, ITI Road, Jodhpur - 342 003
 Tel. : 0291 - 3048491
- Workshop :**
 E-711, Mia Bsn, IInd Phase,
 Behind Krishna Dharam Kanta, Jodhpur - 342 005
 Tel. : 0291 - 3048217 - 22
 Fax : 0291 - 3048223

- * **KOTA**
Triumph Motors
Showroom & Workshop :
 E - 137C, Road No. 5,
 Indraprastha Industrial Area, Kota
 Tel. : 0744 - 2372333, 2372666
- * **PALI**
Atharva Motors Pvt. Ltd.
Showroom & Workshop :
 Opp. Krishi Mandi, Jodhpur Road, Pali - 306 401
 Tel. : 9414060104
- * **SIKAR**
Triumph Motors
Showroom & Workshop :
 Near Circuit House, NH-11, Jaipur Sikar Road,
 Sikar - 332 001
 Tel. : 01572 - 245971
- * **SRI GANGANAGAR**
Sunehri Cars
Showroom & Workshop :
 6th Km Stone, Surat Garh Road, NH-15,
 Sri Ganganagar
 Tel. : 8003399070 / 71
- * **UDAIPUR**
Atharva Motors Pvt. Ltd.
Showroom & Workshop :
 A-83, Mewar Industrial Area, Madri, NH-8,
 Ahmedabad Bye Pass, Udaipur - 313 002
 Tel. : 0294 - 3002730, 3002769
 Fax : 0294 - 2490108

STATE - UTTAR PRADESH

- * **ALIGARH**
Jattari Automobile
Showroom & Workshop :
 300 Mtr. From, Bharat Petrol Pump,
 Khair By Pass Road, Aligarh - 202001
 Tel. : 8938802229, 8938802214
- * **ALLAHABAD**
Eldee Motors
Showroom :
 Eldee Enclave, 2, S. P. Marg, Civil Lines,
 Allahabad - 211 001
 Tel. : 0532 - 2560743, 44
- Workshop :**
 Kanodia Mill Compound 1, Luker Ganj,
 Allahabad - 211 001
 Tel. : 0532 - 2616368
- * **AGRA**
Kalyan Auto Sales
Showroom & Workshop :
 Opp. Bhagwati Dhaba, Near New Sabji Mandi,
 Sikandra, Agra - 282 007
 Tel. : 0562 - 2640460 / 62 / 63
 Fax : 0562 - 2640461
- * **BAREILLY**
VAT Motors Pvt. Ltd.
Showroom & Workshop :
 4.5 KM, Rampur Road, CB Ganj, Bareilly - 243 001
 Tel. : 0581 - 2560741
 Fax : 0581 - 2560731
- * **FAIZABAD**
Megha Auto (I) Pvt. Ltd.
Showroom & Workshop :
 Lucknow Bypass Road, Sahadatganj,
 Faizabad - 224 001
 Tel. : 09839099210
- * **GORAKHPUR**
United Motors
Showroom :
 Kasia By-pass Road, Near Dr. Riyaz Ortho Hospital,
 Mohaddipur, Gorakhpur - 273 001
 Tel. : 0551 - 2201667
 Fax. : 0551 - 2338299
- Workshop :**
 Saryu Nahar Colony, Singharia,
 Gorakhpur - Deoria Road, Gorakhpur - 273 008
 Tel. : 0551 - 2270231
- * **GHAZIABAD**
Shiva Motors
Showroom & Workshop :
 28/3/5, Site - IV, Industrial Area, Sahibabad,
 Ghaziabad
 Tel. : 0120 - 3008600 / 605 / 631 / 632 / 635 / 636
 Fax: 0120 - 3008643 / 45 / 48 / 49 / 50

14-6 Service Network

Workshop 2 :

58/3, Site 04, Sahibabad, Ghaziabad - 200 300
Tel. : 0120 - 4558765

JHANSI

- * **Sri Venkateshwar Autocare Pvt. Ltd.**

Showroom & Workshop :

Jhansi Kanpur Road, Goramachhiya, Jhansi - 284 001
Tel. : 0510 - 2371144, 6450158

KANPUR

- * **Cross Road Auto Pvt. Ltd.**

Showroom :

40, Government Industrial Estate,
Opp. Sindh Colony, Fazal Ganj, Kanpur - 208 012
Tel.: 0512 - 2221276 / 2220043

Workshop 1 :

C-15A, Panki Industrial Area, Site-1, Kanpur - 208 012
Tel.: 0512 - 2691293, 2691377

Workshop 2 :

122/236, A-1 & C-1, Fazalganj,
Near Sangam Talkies, Kanpur - 208 012
Tel.: 8009461111

- * **Romi Motors Pvt. Ltd.**

Showroom :

14/63, Civil Lines, Kanpur - 208 001
Tel.: 0512 - 3224703

Workshop :

120/192 (4), Lajpat Nagar,
Near Mariampur Crossing, Kanpur - 208 012
Tel. : 0512 - 3224701 / 3224702

- * **LUCKNOW**

Megha Auto (I) Pvt. Ltd.

Showroom & Workshop :

10/CP/5, Ring Road, Vikasnagar,
Opp. Jagrani Hospital, Lucknow - 226 020
Tel. : 0522 - 4057999 / 4007977 / 2330180

Workshop 2:

Mishipur Depot, Near Sanatan Cold
Storage, Kursi Road, Lucknow - 226 026
Tel. : 0522 - 2890631

MEERUT

- * **Vardajyoti Automobiles Pvt. Ltd.**

Workshop :

Madhuban Cinema Bldg., Madhuban Colony,
Baghpath Road, Meerut - 250 002
Tel. : 0121 - 2404005 - 08
Fax : 0121 - 2404009

- * **MORADABAD**

Sigma Motors Pvt. Ltd.

Showroom & Workshop :

Near Radhakrishna Mandir,
Delhi Road, Moradabad - 244 001
Tel. : 0591 - 2550100 - 05, 7351007701 - 05,
7351003805

MIRZAPUR

- * **Saraswati Industries**

Showroom & Workshop :

Pili Kothi, Station Road, Mirzapur - 231 001
Tel. : 05442 - 223923

NOIDA

- * **Shiva Motors**

Showroom :

G-24, Sector 11, Noida - 210 301
Tel. : 0120 - 3920150 / 158

Workshop :

C-80/81A, Sector - 8, Noida
Tel. : 0120 - 3359807 / 813

- * **SAHARANPUR**

DPM Autosales

Workshop :

Ambala Road, Near Badi Nahar, Saharanpur
Tel. : 0135 - 2640877

VARANASI

- * **Vinayak Automotive Pvt. Ltd. (Vinayak Chevrolet)**

Showroom & Workshop :

Adjacent to Essar Petrol Pump,
Jagatpur, Rohania, Varanasi - 221 313
Tel. : 7703003320, 7703003330, 7703003321,
7703003333

STATE - UTTARAKHAND

DEHRADUN

- * **DPM Autosales**

Showroom & Workshop :

Mohabewala Industrial Area,
Saharanpur Road, Dehradun
Tel. : 0135 - 2642051 / 52 / 53
Fax : 0135 - 2642054

HALDWANI

- * **Analysis Motors**

Workshop :

7.5 km Stone, Gora Padav, Bareilly Road,
Haldwani - 263 641
Tel. : 05946 - 232050

STATE - JAMMU & KASHMIR

JAMMU

- * **K. C. Motors**

Showroom & Workshop :

NH-1, Bypass Road, Jammu - 180 004
Tel. : 0191 - 2465769 / 59, 2460829
Fax : 0191 - 2476660

- * **RS PURA**

K. C. Motors

Showroom & Workshop :

Bagha Marh, RS Pura, Jammu
Tel. : 01923 - 252809
Fax : 01923 - 252809

SRINAGAR

- * **K. C. Motors**

Showroom & Workshop :

By Pass Road, Hyderpora, Srinagar - 190 014
Tel. : 0194 - 2443188

WEST ZONE

STATE - GOA

VASCO-DA-GAMA

- * **Subrai Motors Pvt. Ltd.**
Workshop :
F.L. Gomes Road, Vasco-Da-Gama, Goa - 403 802
Tel. : 0832 - 2517421 / 22
Fax : 0832 - 2513924

STATE - GUJARAT

AHMEDABAD

- * **Gallops Motors Pvt. Ltd.**
Showroom & Workshop :
Near JCB Service Station, S.G. Highway,
Sarkhej, Ahmedabad - 380 015
Tel. : 079 - 2474346, 39835544, 39835501
Fax : 079 - 39835588

Showroom 2 :

A/8,9,10,11,12,13 & 14, Radhe Shopping Mall,
Khokhra, Maninagar, Ahmedabad
Tel. : 079 - 32941862 / 32440235

Workshop 2 :

Opp. Amraivadi Post Office, Near Hatkeswar Circle,
Maninagar, Ahmedabad - 380 026
Tel. : 079 - 30486501 / 02 / 03

ANAND

- * **Shree Gopinathji Agencies**

Workshop :
Survey No. 570 - A/2, Near Indira Statue,
Lambhavel Road, Anand - 388 001
Tel. : 02692 - 247979 / 247878

BHARUCH

- * **Shree Gopinathji Agencies**
Showroom & Workshop :
Beside K.U & Company Petrol Pump,
NH-8, Village Vadadala, Bharuch - 392 015
Tel. : 02642 - 654245, 291303, 654845
Telefax : 02642 - 231584

BHAVNAGAR

- * **V Raj Motors**
Showroom & Workshop :
Plot No. 150, Near Press Quarter,
Opp. Maruti Showroom, Bhavnagar-Rajkot Road,
Chitra, Bhavnagar - 364 003
Tel. : 0218 - 2444590, 2444445

BHUJ

- * **Cargo Motors**
Showroom & Workshop :
Plot No. 10, Survey No. 29/1,
Bhuj - Mirzapur Road, Bhuj - 370001
Tel. : 02832 - 654191 / 654192

GANDHIDHAM

- * **Cargo Motors**
Showroom & Workshop :
NH-8A, Kandla Port Road, Gandhidham - 370 201
Tel. : 02833 - 654370, 653317, 9825611692

GODHRA

- * **Shree Gopinathji Agencies**
Showroom & Workshop :
Moonlight Cinema Compout, Vavdi,
Godhra - 389 001
Tel. : 02672 - 645828, 265270, 265271

GANDHI NAGAR

- * **Gallops Motors Pvt. Ltd.**
Showroom & Workshop :
Near Nigam Petrol Pump, Rajshree Cinema Road,
Sector-21, Gandhinagar - 382 010
Tel. : 0232 - 30516107

HIMMATNAGAR

- * **Gallops Motors Pvt. Ltd.**
Showroom & Workshop :
Near Motipura Circle, Opp. S.T. Workshop,
Shamlaji Highway, Himmatnagar - 383 001
Tel. : 02772 - 229525, 229524, 308000, 308001

JAM NAGAR

- * **Gallops Motors Pvt. Ltd.**
Showroom :
Jamnagar - Rajkot Highway, Hapa,
Opp. Tata IB Motors, Jamnagar
Tel. : 0288 - 3216060

Workshop :

Jamnagar to Rajkot Highway, 8 - Happa,
Jamnagar - 320 120
Tel. : 0288 - 3921194 - 98

MEHSANA

- * **Gallops Motors Pvt. Ltd.**
Showroom & Workshop :
Opp. Wide Angle, Nagalpur Highway,
Mehsana - 384 002
Tel. : 02762 - 241010, 302401 / 02 / 06
Fax : 02762 - 245151

NAVSARI

- * **Monarch Motors**
Showroom & Workshop :
Mahalaxmi Estate, Near Bhana Petrol Pump,
Near Grid Char Rasta, N.H. No. 8, Navsari - 396 424
Tel. : 02623 - 265788 / 265599

PALANPUR

- * **Gallops Motors Pvt. Ltd.**
Showroom & Workshop :
Survey No. 525/1, Palanpur - Delhi Highway,
Near Palanpur - Deesa Char Rasta, Palanpur - 385 001

RAJKOT

- * **Gallops Motors Pvt. Ltd.**
Showroom & Workshop :
Survey No. 219/220, Opp. Parin furniture,
Next to Jay Ganesh, AT & PO,
Kotharia Gondal Highway, Rajkot - 360 003
Tel. : 0281 - 3205151, 2370006 / 8 / 9 / 10,
3983400, 3983407

SURAT

- * **Empire Cars Pvt. Ltd.**
Showroom & Workshop :
Plot No. 3, Near Rangoli Hotel, Rundh,
Dumas Road, Surat - 395 007
Tel. : 0261 - 6713300 / 33

- * **Monarch Cars Pvt. Ltd.**

Showroom :
Umिया Nagar Society,
Near Shree Choshath Joganiyo Mata Mandir,
Udhna Magdalla Road, Surat - 394 210
Tel. : 0261-2720481, 2720482, 09825274707

14-8 Service Network

Workshop :

Next To Sameeti School, Patel Nagar Circle,
Udhna Gam, Surat - 394 210
Tel.: 0261 - 3091001

* **Nanavati Motors**

Showroom:

Orchid Tower, Opp Intercity Township,
Puna Kumbharia road, Surat - 395 010
Tel.: 9879114447

Workshop :

Opp. SBI Bank, Puna Patiya,
Puna Kumbharia Road, Surat - 395 010
Tel. : 0261 - 6456449/429/430
Fax : 0261 - 2647771

SURENDRA NAGAR

Gallops Motors Pvt. Ltd.

Workshop :

Plot No. 267, GIDC Vadhan, Opp. Market Yards,
Near Rekha Bearings, Surendra Nagar
Tel. : 02752 - 321542 - 43

VAPI

* **Desai Automobiles**

Showroom & Workshop :

At & Po : Balitha, Near Woodland Hotel,
National Highway No. 8,
Taluka Pardi, Vapi, Valsad - 395 015
Tel. : 0260 - 6531783, 2400250 - 51
Fax : 0260 - 2426525

VADODARA

* **Shree Gopinathji Agencies**

Showroom & Workshop :

Opp. Gujarat Elec. Board Sub Station,
(Near Prakuti Resort), Chhani, Baroda - 390 002
Tel. : 0265 - 2761105 / 06

Showroom & Workshop 2 :

R. S. No. 7, Opp. Atladra Railway Station,
Atladra, Vadodara - 390 012
Tel. : 0265 - 2681050, 1060, 0187, 1010, 1020
Fax : 0265 - 2681050, 2354984

Showroom & Workshop 3 :

3/A, Sahajamand Industrial Estate,
Munjmahuda, Akota, Vadodara - 390 020
Tel. : 0265 - 2681010, 2681020, 2359898, 2334109
Fax : 0265 - 2681050, 2681066

STATE - MADHYA PRADESH

BHOPAL

* **Super Cars Ltd.**

Showroom & Workshop :

Plot No. 21 Sector G, Govindpura Industrial Area,
J.K. Road, Bhopal - 462 021
Tel. : 0755 - 4028400, 4228201
Fax : 0755 - 4228203

* **Varenayam Motors**

Showroom & Workshop :

189, Angoori Bagh, Jinsi Road, Bhopal - 462 008
Tel. : 0755 - 2575288 / 299 / 300
Fax : 0755 - 2579918

CHHINDWARA

* **Sunshine Motors**

Showroom & Workshop :

College Road, Lalbagh, Chhindwara - 480 001
Tel. : 0716 - 244125, 244129, 244193 / 194
Fax : 0716 - 244126

GWALIOR

* **Sumedha Vehicles Pvt. Ltd.**

Showroom & Workshop :

Opp. Jhansi Road Police Station,
Jhansi Road, Gwalior - 474 009
Tel. : 0751 - 2422067, 4015789, 3291856
Fax : 0751 - 2348024

INDORE

* **Super Cars Ltd.**

Showroom :

Saket Tower - 3A, Ratlam Kothi,
Near Geeta Bhavan Square, AB Road, Indore - 452 001
Tel. : 0731 - 4700053, 54
Telefax : 0731 - 4700052

Workshop :

49, United Compound, Iasudiya Mori,
Dewas Naka, Indore
Tel. : 0731 - 470055, 56, 57
Fax : 0731 - 470054

* **Chhabra Autolink Pvt. Ltd.**

Showroom :

Plot No.-10 Vishnupuri Main, Near Medisquare
Hospital, Indore - 452001
Tel : 0731- 4267800

Workshop :

Plot No.- 11/11,11/12, Survey No.- 26, Gram Palada,
Khandwa Road, Indore - 452011
Tel : 0731 - 6656000

JABALPUR

* **Oriental Motors**

Showroom & Workshop :

497, Karmeta, Near Padwar Kala,
Katangee Bye Pass Road, Jabalpur - 482 003
Tel. : 0761 - 3250007, 3260002, 3250003, 3290001
Fax : 0761 - 4027011

KHANDWA

* **Bedi Motors**

Showroom & Workshop :

Gram Rehmapur, Indore Road, Khandwa - 450 001
Tel. : 0733 - 2244075

RATLAM

* **Super Cars Ltd.**

Showroom & Workshop :

Jaora Road, Near RTO Office, Ratlam - 457 001
Tel. : 07412 - 260040

SAGAR

* **Varenayam Motorcars Pvt. Ltd.**

Showroom :

Opposite Hotel Paradise, Jabalpur Road, Makroniya,
Sagar - 470 004
Tel. : 07582 - 263566

Workshop :

Behind HDFC Bank, Makroniya
Sagar - 470 004
Tel. : 07582 - 239288

SATNA

* **Oriental Motors**

Showroom :

Virat Nagar Colony, Pateri, Panna Road, Satna - 485 001
Tel. : 07672 - 229495

Workshop :

27, Industrial Area Near Union Floor, Rewa Road,
Satna - 485 001
Tel. : 7672 -252763

STATE - MAHARASHTRA

- AHMEDNAGAR**
 * **Saideep Cars Pvt. Ltd.**
Workshop :
 Survey No. 55/1B/2/1, Nagar Manmad Road,
 Ahmednagar - 414 111
 Tel. : 0241 - 2779225 - 7
 Fax : 0241 - 2779228
- AKOLA**
 * **Star Motors**
Showroom & Workshop :
 9/1, Geeta Nagar Near, Alankar Petrol Pump,
 Akola - 444 005
 Tel. : 07242800087 / 7350008428
- AMRAVATI**
 * **Star Motors**
Showroom & Workshop :
 Plot No. 8, Navathe Square Bandnera Road, Amravati
 Tel. : 0721 - 2510199, 9921008861, 7350008426
- AURANGABAD**
 * **Mishrikotkar Motors LLP (Arihant Chevrolet)**
Showroom :
 Sector P, Town Centre, Jalna Road, CIDCO,
 Aurangabad - 431 005
 Tel. : 0240-2482819

Workshop :
 Plot No.E-35, Chikhalthana MIDC Area,
 Aurangabad - 431 006
 Tel. : 7745011919, 7745021919
- BARAMATI**
 * **Mota Automotive Pvt. Ltd.**
Showroom & Workshop :
 41 / 1 / B / 17, Nira Road, Kasba, Tehsil - Baramati,
 Dist - Pune - 413 102
 Tel. : 02112 - 222212, 220212
- CHANDRAPUR**
 * **ND Cars Pvt. Ltd.**
Showroom & Workshop :
 Gajanan Maharaj Mandir Square, Bapat Nagar,
 Nagpur Road, Chandrapur - 442 401
 Tel.: 07172 - 646344/22

- DHULE**
 * **Jitendra Wheels Pvt. Ltd.**
Showroom & Workshop :
 P-62, Behind Hotel Manas, MIDC Avdhan,
 Dhule - 424 001
 Tel. : 02562 - 281222 / 232
- JALGAON**
 * **Soham Motors Pvt. Ltd.**
Workshop :
 93/1, MIDC, RL Square Aurangabad Road,
 Jalgaon - 425 003
 Tel. : 0257-2211151, 2270085
- KOLHAPUR**
 * **Unique Automobiles**
Showroom & Workshop :
 122/1, Pulachi Shirol, Opp. Sangli Phata,
 Kolhapur - 416 122
 Tel. : 0230 - 2461518 - 19
 Fax : 0230 - 2461520

Showroom 2 :
 Ayodhya Park, Opp. Sangam Talkies,
 Kavala Naka, Kolhapur - 416 001
 Tel. : 0231 - 2535315, 2535425
 Fax : 0231 - 2535615
- LATUR**
 * **Ajinkya Cars Pvt. Ltd.**
Showroom & Workshop :
 Barshi Road, Near Bidave Engineering College,
 Beside Pramod Petrol Pump, Latur - 413 531
 Tel. : 02382 - 222600
- MUMBAI**
 * **Ashtavinayak Auto Pvt. Ltd.**
Showroom 1 :
 D Mall, Off Veera Desai Road, Andheri (West),
 Mumbai - 400 053
 Tel. : 022 - 66488888
 Fax : 022 - 66488880

Showroom 2 :
 Shop no. 1 & 2, Poonam Heights Building,
 SV Road, Goregaon West, Mumbai - 400062
 Tel. : 022 - 67822288

- Workshop :**
 Ram Mandir Road, Somani Gram,
 Next to Central Warehouse Corporation,
 Oshiwara, Goregaon (West), Mumbai - 400 051
 Tel. : 022 - 26765555
- * **AVK Automart Pvt. Ltd.**
Workshop :
 Fida Hussain Industrial Estate,
 Near Samrat Hotel, Pandurang Wadi Road,
 Mira Road (West), Mumbai - 401 104
 Tel. : 022 - 28453178, 28455507, 28453564
- * **Nikhil Automobiles Pvt. Ltd.**
Showroom & Workshop 1 :
 A 70, TTC Industry Area, Thane Belapur Road,
 Kharghar, Near ICI Color Company,
 Khoparkaine West, Navi Mumbai - 400 709
 Tel. : 022 - 27780801, 40708888
 Fax : 022 - 40708899, 27780805

Showroom 2 :
 264-265, Vaswani Chambers, Opp. Old Passport
 Office, Prabhadevi, Mumbai - 400 025
 Tel. : 022 - 434594444, 24221711-12
 Fax : 022 - 24222713

Workshop 2 :
 C/o Bharat Tiles & Marbles Ltd.,
 Jaibhimnagar, Dharukhana Road, Reay Road (East),
 Near Sujala Hotel, Mumbai - 400 010
 Tel. : 022 - 64560303, 23774514 / 15 / 16
 Fax : 022 - 23774505
- Workshop 3 :**
 Plot No. D - 238 - A, TTC Industrial Area,
 MIDC Shiravane, Nerul, Navi Mumbai - 400 706
 Tel. : 022 - 43448800
- NASIK**
 * **Jitendra Wheels Pvt. Ltd.**
Showroom & Workshop :
 B-88, Arihant Plaza, MIDC, Ambad, Next to Hotel Taj,
 Mumbai - Agra Highway, Nasik - 422 010
 Tel. : 0253 - 2384432 / 632 / 832, 6636666, 6637777
 Fax : 0253 - 2384532

14-10 Service Network

- NAGPUR**
★ **Star Motors**
Showroom & Workshop :
44 / 4, Wahajara, Kamptee Road,
NH - 7, Nagpur - 440 026
Tel. : 0712 - 6507836/37, 6507916, 6461503 / 04
Fax : 0712 - 2632429
- ★ **Tajshree Motors Pvt. Ltd.**
Showroom :
Plot No. 1 Hindustan Colony, Wardha Road,
Nagpur - 440 002
Tel. : 0712 - 2250242 / 2250243 / 2250244
- Workshop :**
Plot No. 679, Ghat Road,
Near Cotton Market Square, Nagpur - 440 018
Tel. : 0712 - 2734466 / 2734467
- NANDED**
★ **Bafna Automotives**
Workshop :
Gut No. 235, Pimpalgaon (Mahadeo),
Nanded -Akola Road, Nanded - 431 607
Tel. : 02462 - 274069 / 652099, 311102
- PUNE**
★ **Platinum Chevrolet**
Showroom & Workshop 1 :
Sr No 45/1/B/A, Shankarseth Road, Gutkewadi,
Pune - 411 037
Tel. : 020 - 26440029
- Showroom & Workshop 2 :**
Survey No 5/4, Najhate Nagar, Kalewadi Main Road,
Thergaon, Pune - 411 033
Tel. : 020 - 66326600, 66326632, 66326666
- ★ **Singh Cycle & Motor Co.**
Showroom 1 :
S. No. 38/4, Krishna Complex, Hadapsar Bypass
Road, Near Radisson Hotel, Kharadi, Pune - 411 014
Tel. : 020 - 32419385 / 32319526
- Showroom 2 :**
ICC Trade Centre, Showroom No. 4, Survey No. 403
A/2, Senapati Bapat Road, Pune - 411 016
Tel. : 020 - 25666941 / 2 / 3 / 4

- Workshop 1 :**
Reality Warehousing Pvt. Ltd., Gate No. 1337 / 1,
Pune Nagar, Wagholi, Pune - 412 307
Tel. : 020 - 46609999
- Workshop 2 :**
Patel Tiles Compound, Sr.No. 42/1, Shivaji Nagar,
Behind ST Bus Stand, Pune - 411 005
Tel. : 020 - 32424202, 65270809, 7774010500
- ★ **SATARA**
Unique Automobiles
Showroom & Workshop :
41, Mutha Colony, Sadar Bazar, Satara - 416 002
Tel. : 09623225299
- SOLAPUR**
★ **Mota Automotive Pvt. Ltd.**
Workshop :
MRC Cable India, A/20/6, MIDC Chincholi,
Solapur - 413 255
Tel. : 9272222233
- ★ **SANGLI**
Unique Automobiles
Showroom :
442-3, Kulkarni Complex, 100 feet road,
South Sivaji Nagar, Sangli - 416 416
Tel. : 0233 - 2326544
Fax : 0233 - 2326594
- Workshop :**
Kulkarni Complex, 100 Feet Road,
Near MSEB Sub-Station, Sangli - 416 416
Tel. : 0233 - 2326544
Fax : 0233 - 2326594
- ★ **YAVATMAL**
SARAS MOTORS
Pobaru Marketing & Agencies Pvt. Ltd.
Showroom :
Shop No. 5, 6, 7, 8 Udhog Bhavan,
Dharwha Road, Yavatmal - 445 001
Tel. : 07232 - 255991
Fax : 07232 - 255992
- Workshop :**
Block No. B-16 MIDC (Lohara), Yavatmal - 445 001
Tel. : 07798883816
Fax : 07232 - 255992

- THANE**
★ **SC Auto Corporation**
Showroom:
Modi House, Opp. to LIC Building, Naupada,
Eastern Express Highway, Thane (West),
Thane - 400 602
Tel. : 022 - 67610000
Fax : 022 - 67610209
- Workshop :**
Pioneer Estate Corporation, 133-134, Pokhran Road
No.2, Opp. Oswal Park, Thane (West) - 400601
Tel. : 022 - 66040000
Fax : 022 - 66040102
- ★ **Angel Auto World Pvt. Ltd.**
Showroom & Workshop 1 :
Grishma garden, Gokhivare, Vasai East, Thane,
Mumbai (Vasai) - 401208
Tel :0250-6453030 /6061777
- Showroom & Workshop 2 :**
J-176, MIDC, Tarapur Road,
Boisar (West) - 401505
Tel. : 02525 - 655454 / 655353
- ★ **Nikhil Automobiles Pvt. Ltd.**
Showroom & Workshop :
Survey No. 6, Hissa No. 6, Manpada Gaon,
Kalyan Shill Road, Dombivai (East) - 421 204.
Tel. : 0251 - 3048888 / 3048899

STATE - CHATTISGARH

- ★ **BILASPUR**
Swati Ventures
Showroom & Workshop :
Besides Shiv Talkies, Old Bus Stand Road,
Bilaspur - 495001
Tel. : 7752 - 605500 / 605511
- ★ **RAIPUR**
Vardhaman Motors
Showroom & Workshop :
9/1, Mahoba Bazar, GE Road, NH-6,
Kumhari Dist. - Durg, Raipur - 492 001
Tel. : 7489177999, 7883221999

Showroom 2 :

Ashoka Millenium, Ring Road,
Raipur - 492 011
Tel. : 7714030104, 7712410008



SOUTH ZONE

STATE - ANDAMAN & NICOBAR

- ★ **PORTBLAIR**
Group Engineers
Showroom :
Prem Nagar Junction, (SY No 1394/1),
Haddo Post Port Blair - 744 102
Tel. : 03192 - 230301, 242901

Workshop :
Opp Womens Working Hostel, Dollygunj,
Port Blair, Junglight Post, Portblair - 744 103
Tel. : 03192 - 253044 / 253011

STATE - ANDHRA PRADESH

- ★ **BHIMAVARAM**
Orange Auto Pvt. Ltd.
Showroom & Workshop :
Door No. 2-25, # 6, Near Bharath petroleum bunk,
Undi Road, Bhimavaram - 534 202
Tel. : 9052781234 / 905224678

- ★ **CHITTOOR**
M.G. Brothers Automobiles (P) Limited
Showroom & Workshop :
NH 4, Near Iruvaram Check Post, Chittoor - 517 001
Tel. : 92470 00003, 9247000027

- ★ **GUNTUR**
Fusion Motors
Showroom & Workshop :
Plot No. 296 & 297, Opp. Sarvani Diesel Engineering,
Autonagar Main Road, Autonagar, Guntur - 522 001
Tel. : 0863 - 6454545

- ★ **KURNOOL**
Dheeraj Motors
Workshop :
NH-7 Road, Near APSP 2nd Battalion,
Ballary Chowrasta, Kurnool - 518 004
Tel. : 8518 - 253777

- ★ **NELLORE**
M.G. Brothers Automobiles (P) Limited
Showroom:
26-2-1777, Near Ayyappa Temple, Vedayapalem Area,
Nellore - 524 004
Tel.: 9247000000

Workshop :
Plot No. 95 & 96, Wood Complex,
Near Ayyappa Temple, Nellore - 524 004
Tel. : 9247000022

- ★ **RAJAHMUNDRY**
Orange Auto Pvt. Ltd.
Showroom & Workshop :
D. No. 82-10-2, Venkateswara Nagar,
Near Lalacheruvu, Near ONGC Complex, NH-5 Road,
Rajahmundry - 533 103
Tel. : 0883 - 6575555 / 6580888

- ★ **TIRUPATHI**
M.G. Brothers Automobiles (P) Limited
Showroom:
11-46/A, Renigunta Road, Tirupathi - 517 501
Tel.: 9299999970

Workshop :
Plot No: 254, Auto Nagar,
Near Vinayaka Temple, Renigunta Road,
Tirupathi - 517 506
Tel.: 9247000024

- ★ **VISHAKHAPATNAM**
Orange Auto Pvt. Ltd.
Showroom & Workshop :
D. No.38-22-87, Varun Avenue, NH-5, Murali Nagar,
NH. Birla Junction, Vishakhapatnam - 530 075
Tel.: 0891 - 2572222, 9052402345

Showroom 2 :
D. No. 4-46-12, G. K. Mansiom, Pedawaltier,
Vishakhapatnam - 530 017
Tel.: 0891 - 2572222, 4444
Fax: 0891 - 6645555

- ★ **VIJAYWADA**
Fusion Towers
Showroom :
Fusion Towers, 36-12-2, Opposite to Siddhartha
Public School, Moghul Rajapuram,
Vijayawada - 520 010
Tel. : 0866 - 6645555 / 9603123666
Fax : 0866 - 6645592

Workshop :
Opposite to Fusion Towers, 36-12-2,
Near Siddhartha Public School, Moghul Rajapuram,
Vijayawada - 520 010
Tel. : 0866 - 6645593 / 94, 9603123777

STATE - KARNATAKA

- ★ **BANGALORE**
Kropex India Ltd.
Showroom & Workshop :
49/1, Singasandara, Hosur Main Road,
Bangalore - 560 068
Tel. : 080 - 43574357
Fax : 080 - 43574353

Workshop 2 :
Sy. No. 26, Hanumareddy Layout,
Chinnapanahalli Main Road, Marathahalli Post,
Bangalore - 560 037
Tel. : 9663388812

- ★ **Trident Automobiles Pvt. Ltd.**
Showroom & Workshop :
SY. No. 18/1B, (Old No 18/1C), Nayanda Halli Grama,
Kengeri Hobli, Bangalore - 560 038
Tel. :080 - 67149191/292, 67149001

Showroom & Workshop 2 :
No. 122/1, C. Shankar Reddy Layout, Kalyana Nagar,
Outer Ring Road, Bangalore - 560 043
Tel. : 080 - 43430300, 43430500
Fax : 080 - 43430308, 43430517

Showroom 3 :
No. 300 A - 70, 36th Cross, 10th Main,
5th Block, Jay Nagar, Bangalore - 560 041
Tel. : 080 - 42542999

Workshop 3 :

No. 558/1, 60 ft Road, 9th Cross, HAL 2nd Stage,
Old Airport Road, Behind Leela Palace,
Kodihalli, Indiranagar, Bangalore - 560 008
Tel. : 080 - 49155858

* **K.H.T. Chevrolet (A Division Of Morzaria Real Tech Private Limited)**

Showroom :

No: 725, West of Cord Road, Rajajinagar,
1st Stage, Mahalakshmi Layout, Bangalore - 560 086
Tel. : 080 - 49363636

Workshop :

No. 305, 5th Main Road, 2nd Cross, 4th Phase,
Peenya Industrial Area, Bangalore - 560 058
Tel. : 080 - 49353637

BELGAUM

* **Bellad Enterprises Pvt. Ltd.**

Showroom & Workshop :

Shri Krishna Weaving Mill Compound,
Vengualar Road, Vijaya Nagar, Belgaum - 591 108
Tel. : 0831 - 2449556 / 557, 6514911
Fax : 0831 - 2472209

BELLARY

* **Bellad Enterprises Pvt. Ltd.**

Showroom & Workshop :

Near Bellary Rolling Mills, Anantpur Road,
Bellary - 583 101
Tel. : 08392 - 261234 / 5
Fax : 08392 - 261235

DAVANGERE

* **Modi Motors**

Showroom & Workshop :

#869/1-2, PB Road, Opposite Sai International Hotel,
Davangere - 577 006
Tel. : 08192 - 233896

GULBARGA

* **VKG Motor World**

Showroom & Workshop :

Plot - 1&2, Survey No. 116/2, Behind Mahendrakar
Complex, Kapnoor Humnabad Road,
Gulbarga - 585104
Tel. : 08472 - 224555
Fax : 08472 - 258019

HUBLI

* **Bellad Enterprises Pvt. Ltd.**

Showroom & Workshop :

Opp. NGEF, Rayapura, Dharwad,
P. B. Road, Hubli - 580 025
Tel. : 0836 - 2218338 / 39
Telefax : 0836 - 2218337

MANGALORE

* **Vibrant Motors**

Showroom :

Mont Tiera Apartments, Vivekanand Road,
Kadri, Nantoor-Padav, Mangalore - 575004
Tel. : 0824 - 2225544

Workshop :

C/O Manjunath Retreading Works, Kulshekara
Chowki, Near KMF Milk Dairy, Kulshekara,
Mangalore - 575 005
Tel. : 0824 - 2231202

MYSORE

* **Dyuthi Motors Pvt. Ltd.**

Showroom & Workshop :

No. 201 / 1 & 2, Hunsur Road, Hinkal Village,
Mysore - 570 017
Tel. : 0821 - 4240500 - 16
Fax : 0821 - 4241899

SHIMOGA

* **Frontline Automobiles**

Workshop :

Shankar Muth Road, Shimoga - 577 201
Tel. : 08182 - 229099
Fax : 08182 - 229098

STATE - KERALA

ALLEPPEY

* **Geeyam Motors Pvt. Ltd.**

Showroom :

Koorayil Annex, Opp. Bhattathiripurayidom,
Near MCH Junction, Alappuzha, Alleppey - 688 001
Tel. : 0477 - 2238501

CALICUT

* **German Motors**

Showroom & Workshop :

118-A, Chungam Junction, West Hill,
Calicut - 673 005
Tel. : 0495 - 2383680 / 81, 2383770 / 71
Fax : 0495 - 3041100, 2381909

COCHIN

* **Geeyam Motors Pvt. Ltd.**

Showroom & Workshop :

11/336, NH-47 Bye Pass, Nettor P.O.,
Ernakulam, Cochin - 682 304
Tel. : 0484 - 2703245 - 49, 3097100, 3097101
Fax : 0484 - 2703244

KANJRAPALLI

* **Geeyam Motors Pvt. Ltd.**

Showroom :

Near A K J M School, K K Road, Kanjirappally
(Kottayam Dt.)
Tel. : 0482 - 8201616

KANNUR

* **German Motors**

Showroom & Workshop :

BP6-14A, Valapattanam, Kannur - 670 010
Tel. : 0497 - 2774466 - 67, 3057200
Fax : 0497 - 27744666, 3057200

KAYAKULAM

* **Geeyam Motors Pvt. Ltd.**

Showroom & Workshop :

NH-47, Near MSM College, Kayakulam - 690 502
Telefax : 0479 - 2446650

* **KODANGULUR**

Geeyam Motors Pvt. Ltd.

Showroom :

XII/ 121-122, Opp. Medicare Hospital,
Kottapuram PO, TKS Puram, Kodungalur - 680 667
Tel. : 0480 - 2803561 / 62

KOTAYYAM

* **Geeyam Motors Pvt. Ltd.**

Showroom & Workshop :

Karithas Junction, Thellakom P.O., Kotayyam-686016
Tel. : 0481 - 2792203
Fax : 0481 - 2792383

14-14 Service Network

- ★ **KOLLAM**
Deedi Motors
Showroom :
Post Office Junction, Pallimukku, Kollam - 691 010
Tel. : 0474 - 3257777 / 2725959
Fax : 0474 - 2725900
- Workshop :**
Cantonment, North Nagar, Pullikada, Kollam - 691001
Tel. : 0474 - 2750010 / 11
- ★ **KOTTAKKAL**
German Motors
Showroom & Workshop :
260A, Palathara, Cherusola P.O., Kottakkal,
Malappuram
Tel. : 0494 - 2611666
- ★ **MUVATTUPUZHA**
Geeyam Motors Pvt. Ltd.
Showroom :
Mackar Plaza, EEC Market Road, PNB Junction,
Muvattupuzha - 686 673
Tel. : 0485 - 606600, 2835272 / 73
Fax : 0485 - 2832554
- Workshop :**
902/903, Opp. Mackar Plaza, EEC Market Road,
PNB Junction, Muvattupuzha - 686 673
Tel. : 0485 - 2835272 / 73
Fax : 0485 - 2832554
- ★ **MUTTUM**
Geeyem Motors
Showroom & Workshop :
SY NO: 70/15, 71/10, Thai Kkattukara P.O, N H Road,
Distt. Aluva, Muttum, Cochin - 683 106
Tel. : 0484 - 2632193 / 94 / 95 / 96 / 97
- ★ **PERINTHALMANNA**
German Motors
Showroom & Workshop :
AP-IV 664F, Opp. ITC, Tirurkad,
Perinthalmanna - 679 531
Tel. : 04933 - 325060, 237000, 239878
Telefax : 04933 - 2737000

- ★ **PALAKKAD**
Geeyam Motors
Showroom & Workshop :
Door No. 8/1198, NH Bypass Road,
Chandra Nagar, Palakkad - 678 007
Tel. : 0491 - 2504133
Fax : 0491 - 2504143
- ★ **PATHANAMTHITTA**
Deedi Motors Pvt. Ltd.
Showroom & Workshop :
Kumbazhethu Buildings, Churulicode P.O.,
Kozhencherry Road, Pathanamthitta - 689 645
Tel. : 0468 - 2272079, 2272080
Fax : 0468 - 2272078
- ★ **THIRUVALLA**
Deedi Motors Pvt. Ltd.
Showroom :
No. 54/2, Kurusumootil Buildings,
M C Road, Mazhuvangad, Thiruvalla - 689 101
Tel. : 0469 - 2740800
- ★ **THRISSUR**
Geeyem Motors Pvt. Ltd.
Showroom :
14/3-A1, Guruvayoor Road Puzhakkal,
Ayyanthole P.O., Thrissur - 680 003
Tel. : 0487 - 2388945 - 46, 2388851 - 52
Fax : 0487 - 2388851
- Workshop :**
Near Boating Station, Puzhakkal Post Office,
Thrissur - 680 553
Tel. : 0487 - 2225100, 2225101
- ★ **TRIVENDRUM**
Deedi Motors Pvt. Ltd.
Showroom / Workshop :
Erumalathopu, N.H. Bye Pass Road, Venpalvattom,
Anayara P.O., Trivendrum - 695 029
Tel. : 0471 - 2556006, 3257777, 2558599, 2558499
Fax : 0471 - 2551020
- ★ **WAYNAD**
German Motors
Showroom / Workshop :
Muttill - Post, North Kalpetta, Waynad - 673 122
Tel. : 04936 - 304200 / 202414
Fax : 04936 - 304201

STATE - PONDICHERY

- ★ **PONDICHERY**
Aakash Auto Pvt. Ltd.
Showroom :
No. 1, Sounderrajan, 100 ft. Road, Sounder Rajan
Nagar, Mudaliarpet, Pondicherry - 605 004
Tel. : 0413 - 2204400
Fax : 0413 - 2204033
- Workshop :**
No. 23, 9th Cross, Metupallyam,
Industrial Estate, Pondicherry - 605 009
Tel. : 0413 - 2279900

STATE - TAMIL NADU

- ★ **CHENNAI**
Sundaram Motors
Showroom & Workshop :
180, Anna salai Road, Chennai - 600 006
Tel. : 044 - 28579203 / 28 / 32
Fax : 044 - 28579210
- Workshop 2 :**
116/4 Mahalakshmi Nagar Extention,
Numbal Village Thirverkadu Post, Chennai - 600 077
Tel. : 044 - 26493020/21
- ★ **KLN Motors Agencies Pvt. Ltd.**
Showroom 1 :
Old No. 861, New No. 232, Poomalallee High Road,
Kilpauk, Chennai - 600 010
Tel. : 044 - 23452937 / 38
Telefax : 044 - 23452936
- Workshop 1 :**
Shop No. 50, SIDCO Industrial Area,
Ambattur, Chennai - 600 058
Tel. : 044 - 23452930 - 32
- Showroom & Workshop 2 :**
No. 8-NP, Developed Plot, Guindy Industrial Estate,
Ekkattuthangal, Near Kasi Theatre, Chennai - 600 097
Tel. : 044 - 23458941 / 42

CUDDALORE
 * **Aakash Auto Pvt. Ltd.**
Showroom & Workshop:
 RS No.155/11, Vadalur Main Road, Periamedu,
 Karaikadu Village, Cuddalore Taluk,
 Cuddalore - 607 005
 Tel.: 04142 - 297997, 7373299933, 7373599933

COIMBATORE
 * **Anamallais Agencies (P) Ltd.**
Showroom :
 252, Mettupalayam Road, Coimbatore - 641 043
 Tel. : 0422 - 2435555 / 2432999
 Fax : 0422 - 2446151

Workshop :
 249A, Mettupalayam Bye Pass Road,
 Coimbatore - 641 043
 Tel. : 0422 - 2433444

* **Pressana Automobile**
Showroom :
 No. 1987, Trichy Main Road, LCT Complex,
 Coimbatore - 641 005
 Tel. : 0422 - 4041111

Workshop :
 505/1, Sowaripalayam Main Road,
 Ramanathapuram, Coimbatore - 641 045
 Tel. : 0422 - 4051111

* **ERODE**
Pressana Automobile
Showroom & Workshop :
 No.1, ChinnaKadu Thottam,
 Veerapampalayam, Dhindal P.O., Erode - 638 012
 Tel. : 0424 - 2276046 / 47
 Fax : 0424 - 2276048

* **HOSUR**
Thriive Cars
Showroom & Workshop :
 S. No. - 321, Bathala Palli,
 SIPCOT-II, Hosur - 635109.
 Tel. : 04344 - 644588 / 9994099116

KARUR
 * **Pressana Automobile**
Showroom & Workshop :
 No.3, Salem Byepass Road, Kulathupalayam,
 Karur - 635 006
 Tel. : 04324 - 222301
 Fax : 04324 - 222302

* **MADURAI**
A.R.A.S. Motors (P) Ltd.
Showroom :
 35/1, Dindigul National Highway,
 Near A. R. C. Parcel Service, Villangudi,
 Madurai - 625 018
 Tel. : 0452 - 2669617, 3091917
 Fax : 0452 - 2669618

Workshop :
 Plot No. 64 & 68, Thiruvallavanallur Post,
 National Highway No. 7, Opp Arokyia Milk
 Processing Unit, Nagari, Madurai - 625 221
 Tel. : 0452 - 2463612 / 13 / 14

* **NAGERCOIL**
A.R.A.S. Motors (P) Ltd.
Showroom & Workshop:
 2/86, Tirunelveli Main road,
 Ozhuginasery, Nagercoil - 629 001
 Tel. : 04652 - 644664 (Showroom)
 04652 - 272443 (Workshop)

* **NAMAKAL**
Thriive Cars
Workshop :
 276/85, Tiruchengode Main Road,
 Opp. Old Lakshmi Kalyana Mandapam,
 Namakkal - 637 001

* **PUDUKOTTAI**
Jayaraj Karz
Showroom & Workshop :
 5915/1, Khalif Nagar, Thirumayam Road,
 Pudukottai - 622 001
 Tel. : 04322 - 262223

* **PERAMBALUR**
Jayaraj Karz
Showroom & Workshop :
 No. 36, Trichy to Chennai Highway, Eraiyur,
 Veppanthattai, Perambalur, Tamilnadu - 621 133
 Tel. : 9244222728

* **SALEM**
Thriive Cars
Showroom & Workshop :
 1116, Salem Chennai Highway Road,
 Near Holy Cross, Hr. Sec. School,
 Ammapet, Salem - 636 014
 Tel. : 0427 - 2242603
 Fax : 0427 - 2242604

* **TRICHY**
Jayaraj Karz
Showroom & Workshop :
 Madurai Main Road, Panjapur, Trichy - 620 012
 Tel. : 0431 - 2906420 / 6541207
 Fax : 0431 - 2202187

* **THIRUNELVELLI**
A.R.A.S. Motors (P) Ltd.
Showroom & Workshop :
 1183/3, National Highway Jothipuram,
 Konganthanparai, Thirunelveli - 627 007
 Tel. : 0462 - 2551070, 3269638
 Fax : 0462 - 2554111

* **TIRUPUR**
Anamallais Agencies Pvt. Ltd.
Showroom & Workshop :
 396/6, Kamaraj Road, Palladam Road,
 Tirupur - 641 604
 Tel. : 0421 - 2918999

* **THANJAVUR**
Jayaraj Karz
Showroom & Workshop :
 Pudukottai Bye - Pass Road, Thanjavur
 Tel. : 04362 - 226452

* **VELLORE**
Sayar Cars
Showroom & Workshop :
 S.F. No. 3004, New By Pass Road,
 Near Collectorate, Vellore - 632 004
 Tel.: 0416 - 2222017

14-16 Service Network

STATE - TELANGANA

HYDERABAD

- * **Kun Automobiles (P) Ltd.**
Showroom & Workshop 1 :
Plot No. 74, Snehapuri Colony, Near Andhra Bank,
Nagole Main Road, Nagole, Hyderabad - 500 035
Tel. : 040 - 24220013, 44886666, 44886767/700/701
Fax : 040 - 24220313

Showroom 2 :

House No. 1-3-1045, Viceroy Hotel Lane,
Kawadiguda Road, Hyderabad - 500 080
Tel. : 040 - 27532385 - 89
Fax : 040 - 27532384

Workshop 2 :

1-8-670, Azamabad, RTC 'X' Road,
Hyderabad-500020
Tel. : 040 - 27668678 / 27668761
Fax : 040 - 27668632

Workshop 3 :

Plot No. 21, Mini Industrial Estate,
Hafeezpet Road, Kondapur, Hyderabad - 500 049
Tel. : 040 - 31906677

Workshop 4 :

Plot No.37, Survey No.45, Vignan Junior College
Road, Kundapur, Hyderabad - 500 081
Tel. : 040 - 31906699

- * **Orange Auto Pvt. Ltd.**
Showroom 1 :
6-3-249/3, Abhinandan Towers, Road No. 1,
Banjara Hills, Hyderabad - 500 034
Tel. : 040 - 66515555
Fax : 040 - 66469999

Workshop 1 :

B-45/46, Industrial Estate, Near Andhra Bank
Sanatnagar, Hyderabad - 500 018
Tel. : 040 - 66265555 / 66269999

Showroom & Workshop 2 :

16-2-705/1/1, Malakpet, Opp. Srukrupa Market,
Hyderabad - 500 036
Tel. : 040 - 66815555
Fax : 040 - 66179999

Showroom & Workshop 3 :

A2, Balanagar Techno Craft Industrial Estate,
Balanagar, Hyderabad - 500 037
Tel. : 040 - 23721111
Fax : 040 - 23729999

- * **KARIMNAGAR**
Kun Automobiles (P) Ltd.
Showroom & Workshop :
M.No.8-6-128, Kothi Rampur, Hyderabad Highway
Road, Karim Nagar - 505 001
Tel. : 0878 - 2276633 / 9885520022
Fax : 0878 - 2276633

KHAMMAM

- * **Fusion Motors**
Showroom & Workshop :
Plot No. 11, Sri Sri Circle, Opp. Reliance Petrol Bunk,
Rotary Nagar, Bypass Road, Khammam - 507 002
Tel.: 9247623666, 8096991122

WARANGAL

- * **Kun Automobiles (P) Ltd.**
Showroom :
Door No. 15-2-4-1-1 & 15-2-4,
Mulugu Cross, Warangal - 506 007
Tel. : 0870 - 2421955
Fax : 0870 - 2421955

Workshop :

H. No. 23-6-132, Hunter Road,
Opp. Citizens Club, Warangal
Tel. : 0870 - 2523377 / 88 / 99
Fax : 0870 - 2523399

EAST ZONE

STATE - ARUNACHHAL PRADESH

- ITANAGAR**
 * **Sango Motors**
Showroom & Workshop :
 NH-52A, Near Shiv Mandir, 6 Km
 Between Nahalagun, Dist. Papumpare
 Itanagar, Arunachal Pradesh - 791 110
 Tel. : 0360 - 2001166 / 67, 2033153

STATE - ASSAM

- BONGAIGAON**
 * **Raj N Dibyani Automobiles**
Showroom & Workshop :
 Near Lower Assam Hospital, Chapaguri Road,
 North Bongaigaon, Bongaigaon
 Tel.: 03664 - 231890, 230545
- DIBRUGARH**
 * **Pashupati Traders**
Showroom & Workshop :
 P. N. Road, Chiring Chapori, Dibrugarh - 786 001
 Tel. : 0373 - 2323281
 Telefax : 0373 - 2323296
- GUWAHATI**
 * **Srishti Automobiles Pvt. Ltd.**
Showroom :
 Opp. Pantaloons, G S Road, Rukminigaon,
 Guwahati, Assam - 781 022
 Tel. : 0361 - 2223666
 Fax : 0361 - 2223888
- Workshop :**
 Radha Nagar, VIP Road, Six mile, Guwahati,
 Assam - 781 022
- JORHAT**
 * **Nova Automobiles**
Showroom & Workshop :
 Pulibor, NH 37, PO: RRL, Jorhat - 785006
 Tel. : 0376 - 2370077

Workshop 2 :

Nova Furniture Factory Compound,
 Milan Nagar, Jorhat - 785001
 Tel. : 0376 - 2309263

- SHIBSAGAR**
 * **Pashupati Traders**
Showroom & Workshop :
 KPM Chariali, Shivasagar, Shivasagar - 785 640
 Tel. : 03772 - 220082 / 88
- SILCHAR**
 * **Smart Motors Pvt. Ltd.**
Showroom & Workshop :
 NH-54, Ramnagar, Silchar - 788 008
 Tel. : 03842 - 268701, 9207042806
- NAGAON**
 * **LB Motor (A Unit of Borah & Sons Pvt. Ltd)**
Showroom & Workshop :
 AT Road, Dimarguri, Nagaon - 782 003
 Tel.: 03672 - 253157
- TEZPUR**
 * **GNB Motors**
Showroom :
 P.O. Nikamul, Beside Udyanpath,
 Tezpur - 784 001
 Tel. : 03712 - 255999
- Workshop :**
 P.O. Nikamul, Udyanpath,
 Tezpur - 784 001
 Tel. : 03712 - 255998
- TINSUKIA**
 * **Dhansri Motors**
Showroom & Workshop :
 Opposite New Tinsukia Railway Junction,
 A.T. Road, Hijuguri, Tinsukia - 786 125.
 Tel. : 0374 - 2311397

STATE - BIHAR

- MUZAFARPUR**
 * **Pandey Motors Pvt. Ltd.**
Showroom & Workshop :
 Mithila Body Builders, NH-18,
 Bhagwanpur, MuzaFarpur - 842 001
 Tel. : 0621 - 2252762

- PATNA**
 * **Pandey Motors Pvt. Ltd.**
Showroom :
 Pandey Plaza, Exhibition Road, Patna - 800 001
 Tel. : 0612 - 2205195, 3955491
 Fax : 0612 - 2205196

Workshop :
 Bhoonthath Road, Sahadurpur, PS Agamkuan,
 Patna - 800 020
 Tel. : 0612 - 2341151

- GAYA**
 * **Brijnandan Automobile Pvt. Ltd.**
Showroom & Workshop :
 727 Old 1026 / New No. NH - 83,
 Near BMP - 3, Gaya - 823 004
 Tel. : 0631 - 2200131

- PURNEA**
 * **Hare Krishna Motors Pvt. Ltd.**
Showroom & Workshop :
 Damka Chowk, NH - 31, Gulababagh, Purnea - 854 326
 Tel. : 9234323211

STATE - JHARKHAND

- BOKARO**
 * **Power Motors**
Showroom & Workshop :
 N-1, City Centre, Sector - 4,
 Bokaro Steel City, Bokaro - 827 004
 Tel. : 06542 - 233555 / 232977
 Fax : 06542 - 232988

- DHANBAD**
 * **Sorabh Automobiles**
Showroom :
 Indramani Palace, Opp Flair Bajaj, Saraidhela,
 Dhanbad - 826 001
 Tel. : 0326 - 2201366

Workshop :
 Tilakraidih, Govindpur Road, Dhanbad - 826 001
 Tel. : 9470580855

14-18 Service Network

- * **HAZARIBAGH**
Laxmi Auto
Showroom & Workshop :
Zulu Park Road, Near SBI Main Branch,
Hazaribagh - 825 301
Tel. : 06546 - 222929
- * **JAMSHEDPUR**
Narberham Motors Pvt. Ltd.
Workshop :
M-4, Phase-VI, Adityapur Industrial Area,
P.O. Gamaria, Jamshedpur - 832 108
Tel. : 0657 - 3293612, 3297763, 3290649, 6510531
Telefax : 0657 - 2200532
- * **RANCHI**
Rahul Automobiles Pvt. Ltd.
Showroom 1 :
Piska More, Ratu Road, Ranchi - 834 005
Tel. : 0651 - 2510251 / 52
- Showroom 2 :**
Line Tank Road, MR Tower, Ranchi - 834 001
Tel. : 0651 - 3298436
Fax : 0651 - 2510252
- Workshop :**
Ratu Road, Near Kamre Ashram, Ranchi - 834 005
Tel. : 0651 - 2511558 / 564, 3241206

STATE - ORISSA

- * **BALASORE**
Venus Auto Works Pvt. Ltd.
Showroom & Workshop :
NH - 5, Remuna Golai, Januganj,
Near Bhattar Mill, Balasore -756 019
Tel. : 06782 - 244013, 244014
- * **BHUBANESWAR**
Venus Auto Works Pvt. Ltd.
Showroom & Workshop :
A/62, Nayapalli, Bhubaneswar - 751 003
Tel. : 0674 - 3019999 (Showroom)
0674 - 3019900, 3270444, 9337070444
(Workshop)
Telefax : 0674 - 3019908

- * **Super Sales Automobiles Pvt. Ltd.**
Showroom & Workshop :
Plot No. 644/2148, NH-5, Pahal,
Bhubneswar, Dist - khurda - 752 101
Tel. : 0674 - 2463913, 2463914, 6543010 / 11

- * **SAMBALPUR**
Bharat Motors Ltd.
Showroom & Workshop :
9, Industrial Estate, Near Central School,
Bareipali, Sambalpur - 768 006
Tel. : 0663 - 2402736, 2405286
Fax : 0663 - 2585894

- * **ROURKELA**
Balaram Motors
Showroom & Workshop :
Opposite Pahadi Kanta, Vedvyash, Rourkela - 769 041

STATE - WEST BENGAL

- * **ASANSOL**
Shailla Autotech
Showroom & Workshop :
NH-2, Chanda More, Asansol - 713 339
Telefax : 0341 - 2343704 / 705
- * **HOWRAH**
Priti Motor Udyog (P) Ltd.
Showroom :
NH-6, Bombay Howrah Highway, Howrah
- Workshop :**
Khejurtala Kolkata Truck Terminal,
Khejurtala, NH-6, Howrah - 711 403
Tel. : 033 - 65002070/71/72
- * **KOLKATA**
Speed Autotech
Showroom :
"The Meridian", Kazi Nazrul Islam Sarani,
(VIP Road), Kolkata - 700 059
Tel. : 033 - 25007915 - 9
Fax : 033 - 40150824
- Workshop 1 :**
241/2B, APC Road, Opp. Khanna Cinema,
Kolkata - 700 004

Tel. : 033 - 25551370 / 72 / 73 / 74, 25552509

- Workshop 2 :**
108 F, Nilgunge Road, Agarpara, Kolkata - 700 058
Tel. : 033 - 25552509

- * **Dulichand Motors Pvt. Ltd.**
Showroom :
"Shrachi Towers", 686 Anandapur,
E.M. Bypass, Near Ruby Hospital, Kolkatta - 700 107
Tel. : 033 - 24431801 - 02, 40141616
Fax : 033 - 40141624

- Workshop :**
5/51, Jagatipota, Ahalya Nagar,
Opp. Jagatipota Kisan Market, Kolkatta - 700 099
Tel. : 033 - 40161718, 24264224, 24264214

- **Longia Motors Pvt. Ltd.**
Workshop 1 :
15/1D, Sahanagar Road, (Near Rashbehari Avenue
Crossing), Kolkatta - 700 026
Tel. : 033 - 66270100 / 119
Fax : 033 - 66270121

- Workshop 2 :**
Budge Budge Trunk Road, Rampur,
P.O. : Gobindopur, P.S. : Maheshhala,
Kolkata - 700 141
Tel. : 033 - 66270222 / 223 / 205
Fax : 033 - 66270208

- * **SILIGURI**
Kaysons Automotive Pvt. Ltd.
Workshop :
Ilird Mile, Checkpost, Opp. New Eastern Bypass
Road, Sevoke Road, Siliguri - 734 401
Tel. : 0353 - 2544533 - 35, 2777723
Fax : 0353 - 2544456

- * **IMPHAL**
Rajpri Enterprise
Showroom & Workshop :
Chigmeirong Mamang Leikai,
Imphal East, Imphal - 795 001
Tel. : 0385 - 2421183

DIMAPUR

STATE - MANIPUR

- * **Urban Station**
Showroom & Workshop :
 NSC Petrol Pump, NH-39, 6th Mile, Kohima Road,
 Dimapur, Nagaland - 797 112
 Tel. : 03862 - 240994, 240992

STATE - NAGALAND

AGARTALA

- * **Sri Krishna Automobiles**
Showroom & Workshop :
 Plot No. 4612 & 4615, Shanihani,
 Airport Road, Agartala, Tripura West - 799 001
 Tel. : 0381 - 2342566

STATE - TRIPURA

SHILLONG

- * **DH Royal Cars**
Showroom & Workshop :
 Parkview, Fire Brigade,
 Shillong - 793 014
 Tel. : 0364 - 2520481, 2520477

STATE - MEGHALAYA

GANGTOK

- * **GEN X Motors**
Workshop :
 C/o Garima Enterprise, P.S. Road, Gangtok - 737 101
 Tel. : 03592 - 202515

STATE - SIKKIM

Highland

- * **Showroom & Workshop :**
 A-L Road, Zemabawk, Aizawl - 796 017
 Tel. : 0389 - 2351916

SRI LANKA

- * **Mag City Motor Company Pvt. Ltd.**
Showroom & Workshop :
 No. 320A, Darley Road,

STATE - MIZORAM

Colombo - 10, Sri Lanka
 Tel. : 0094777410407

- * **BHUTAN**
Global Trade
Showroom :

14-20 Service Network

INTERNATIONAL

Lkahlham, Changankha,
Thimphu, Bhutan

Workshop :

Post Box No. 1037, Olarongcchu,
Thimphu, Bhutan

NEPAL

- **SPG Automobiles Pvt. Ltd.**

Workshop :

GPO Box 2544, Khumaltar, Lalitpur,
Kathmandu, Nepal
Tel.: 00977-1-4100543



General Motors India Pvt. Ltd.

All information, illustrations and specifications contained in this Owner's Manual are based on the latest production information available at the time of publication. The right is reserved to make changes at any time without notice.

Regd. Office : Chandrapura Industrial Estate, Halol - 389 351

Dist. Panchmahals, Gujarat, India. Phone : 91 2676 221000

Customer Assistance Center : Surinder Jakhar Bhavan, Iffco Complex, Tower-B, Plot No: 03,
Sector 32, Gurgaon - 122 001, Haryana, India. Tel.: 91 124 3080000

Works : A-16, MIDC Talegaon Industrial Area (Phase-II),
Near Floriculture Park, Talegaon Navlakh Umbhre Village Road, Tehsil-Maval,
Pune - 410 507, Maharashtra, India. Tel: 91 2114 663939

24 Hr. Helpline at 1800 3000 8080

24x7 Roadside Assistance at 1800 103 8090 (Toll Free No.) or 0124 - 4388090

Part No.: 28287826

Revision No. 00

Revision Date

04/2015/500