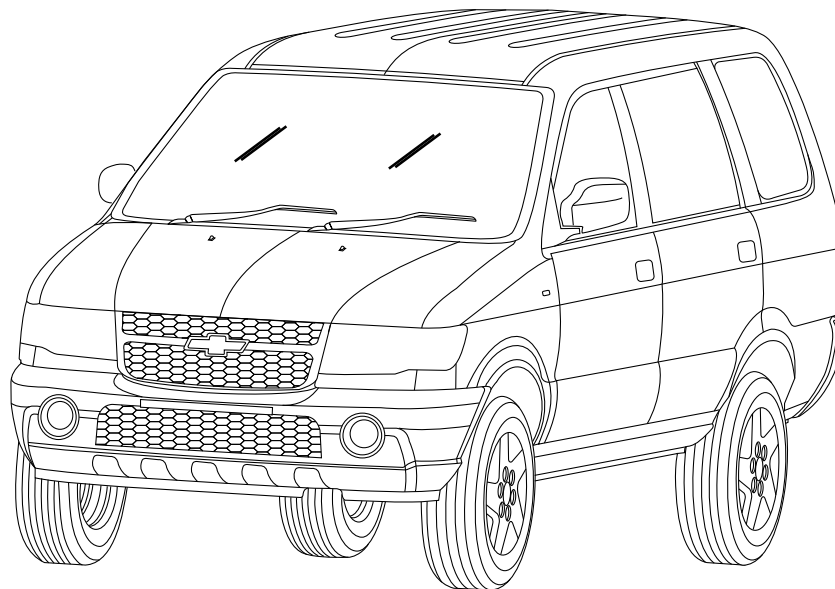




Tavera



Owner's Manual

Operation, Safety and Maintenance

VEHICLE RECORD SHEET

Model Name		Delivery Date								Tyre Make		
V.I.N.										Tyre Location	Batch Code	
Engine No.									Key No.	Fr RH		
Registration No.								Regn. Date		Fr LH		
Transmission No.								Color, Code No.		Rr RH		
Battery Make		Battery Batchcode/SI.No.								Rr LH		
Owner's Name										Spare		
Address												
City										Pin Code		
Selling Dealer's Name												
Address												
					Pin Code					Selling Dealers Stamp		

Dear Customer,

Welcome to the Chevrolet family. We wish to thank you for choosing Chevrolet car.

It is our constant endeavor to provide you with products that offer excellent performance through out their ownership period. Which is why, in addition to offering great cars, we have also set up an extensive, and very well equipped network of retailers and authorized service centres across the country.

Naturally, these Chevrolet retailers knows everything there is to know about your car, and provides you with the best service possible. In fact, every retailer is equipped with the most advanced technology, technicians specially trained by us, and genuine spares. Needless to say, they are also committed to ensure your complete satisfaction.

So, please contact a Chevrolet retailer for any servicing need and make sure that only genuine spares are used for your car.

This manual will familiarize you with the operation and maintenance of your new vehicle. It will also provide you with important safety information. Please do read it carefully and follow the recommendations. In fact, the manual is like a permanent part of your car. And it would go a long way in ensuring a safe and trouble-free operation for your car.

Should you have any query please feel free to call our 24 hr. Helpline at 30308080 (Prefix local STD code when dialing from mobile phone) or email us at : gmi.cac@gm.com.

Happy Motoring

IMPORTANT NOTICE

Please read this manual and follow the instructions carefully.

Throughout this manual you will find special notations:

- Warning • Caution • Note

WARNING

WARNING indicates a potentially hazardous situation which, if not avoided, could result in serious injury or death.

CAUTION

CAUTION indicates a potentially hazardous situation which, if not avoided, may result in minor or moderate injuries, or damage to your vehicle or other property.

NOTE

NOTE indicates information which will assist you with maintenance or other instructions concerning your vehicle.

ABBREVIATIONS USED IN THIS MANUAL

V or *Variation (optional on some models).

DFor diesel engine models only.

MTFor manual transmission models only.

PSFor power steering models only.

V or * : The asterisk and **V** in this manual, signify an item of equipment that is not included on all vehicles. Such items include engine options, model variations specific to one country, and optional equipment.

All information, illustrations, and specifications in this manual are based on the latest product information available at the time of publication.

General Motors India Pvt. Ltd. (GMI) reserves the right to change specifications or designs at any time without notice and without incurring obligation.

This vehicle may not comply with the standards or regulations of other countries. Before attempting to register this vehicle in any other country, check all applicable regulations and make any necessary modifications.

This manual describes the options and trims available at the time of publication. Some of the items covered may not apply to your vehicle. Contact your CHEVROLET retailer for information on option and trim availability.

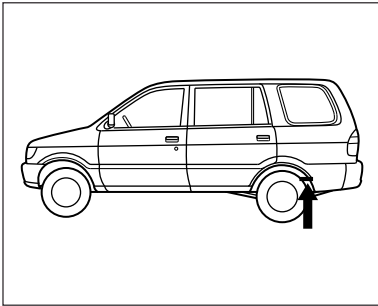
Non-GMI Genuine parts and accessories have not been examined or approved by GMI. We can certify neither the suitability nor the safety of Non-GMI genuine parts and accessories and are not liable for damage caused by their use.

TABLE OF CONTENTS

SECTION	PAGE	SECTION	PAGE
IMPORTANT INFORMATION.....	1	Starting engine	85
Location of chassis and engine number.....	1	Before driving off	87
Overloading	2	Stopping engine	89
Operation of new vehicle.....	3	Parking	89
Operation and care of vehicle	5	Driving precautions	90
Maintenance.....	5	Driving for economy [MT]	96
CONTROLS AND INSTRUMENTS.....	6	In case of emergency.....	99
Steering column controls.....	7	SERVICE AND MAINTENANCE.....	110
Instrument panel and controls.....	14	Maintenance schedule	111
Floor controls	30	Maintenance guide.....	117
Others	32	Recommended lubricants and diesel fuels	141
BEFORE DRIVING YOUR VEHICLE.....	55	Lubrication.....	143
Operation of controls.....	55	Lubrication guide.....	146
Driver's check list (Regular inspection)	75	MAIN DATA AND SPECIFICATIONS	151
DRIVING	85	Service and warranty	155
Preparation for starting engine.....	85	Retailer network	180

IMPORTANT INFORMATION

The following information is important for the proper care and economical operation of your CHEVROLET vehicle and should be thoroughly understood before placing it into service.

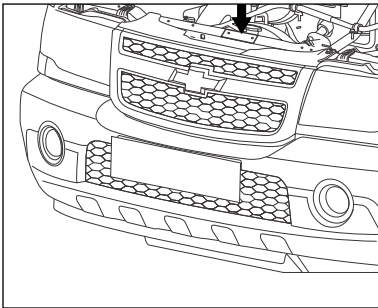


LOCATION OF CHASSIS AND ENGINE NUMBER

It is advisable to write down the chassis and engine number as they are required when contacting your CHEVROLET retailer for repair services.

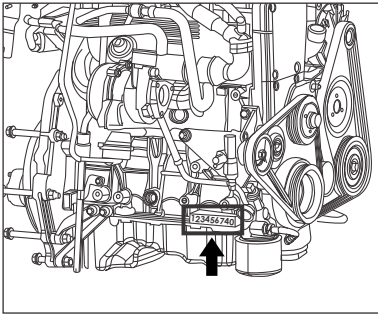
Chassis number

Chassis number is stamped on the left hand side of the chassis member behind rear left wheel as indicated by arrow.



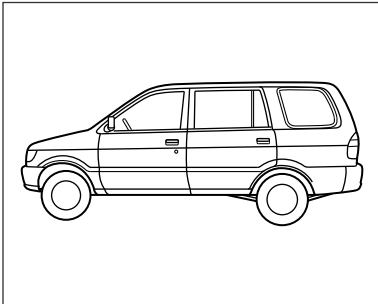
LOCATION OF VIN (Vehicle Identification Number) PLATE

The VIN plate is fixed on the surface of front end upper panel as indicated by arrow.



Engine number D

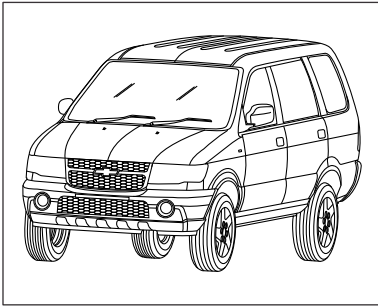
The engine number is stamped / punched on the right side of the cylinder block adjacent to oil filter.



OVERLOADING

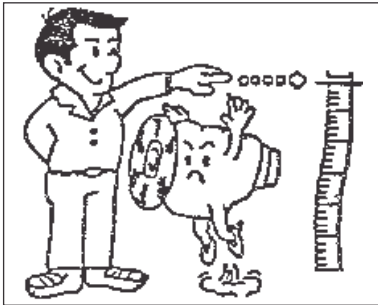
WARNING

Overloading not only shortens the service life of your vehicle, but also creates serious potential safety hazards.



OPERATION OF NEW VEHICLE

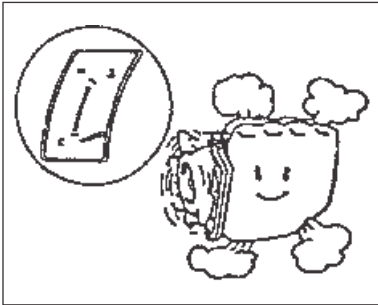
The subsequent performance and the life of your vehicle are directly influenced by the care and treatment that your vehicle receives during the initial break-in period. It is therefore recommended that during the initial 1,000 km. break-in period, the following few simple precautions be carefully observed.



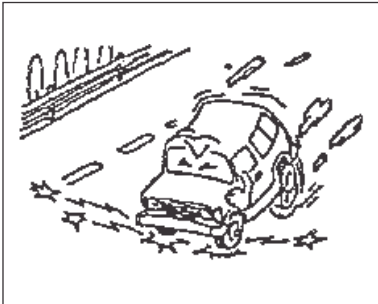
1. It is recommended that speed during the initial 1,000 km be confined to the following.

Maximum allowable speed in each gear during break-in period.

Gear position	1st	2nd	3rd	4th/5th
Speed (km/h)	25	40	65	100



2. After starting the engine, let it run for about 1 to 2 minutes with idle speed (avoid acceleration or driving off the vehicle).

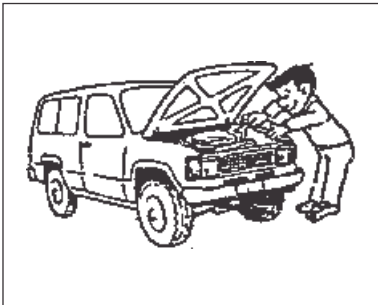


3. Avoid engine racing, abrupt starting and needless hard stops. This will allow your brakes to bed-in properly.



OPERATION AND CARE OF VEHICLE

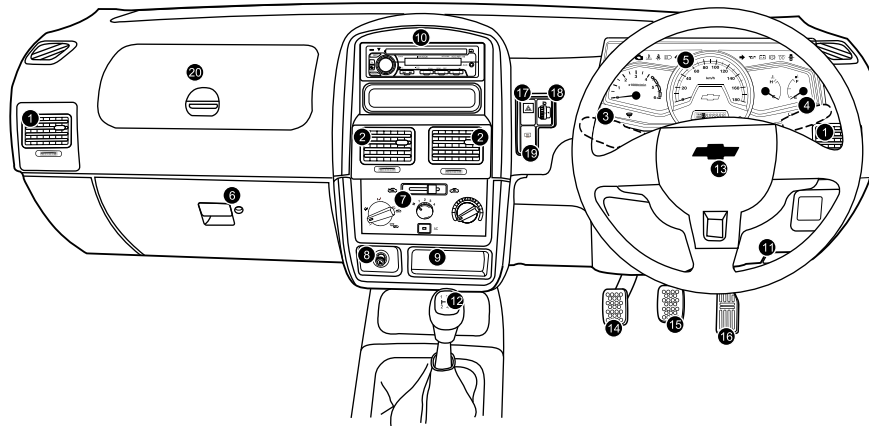
Every component and system of your vehicle should be checked according to "CONTROLS AND INSTRUMENTS", "BEFORE DRIVING YOUR VEHICLE" and "DRIVING" sections.



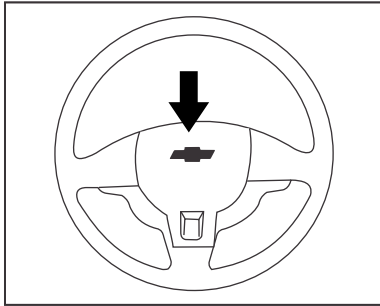
MAINTENANCE

In order to maintain safe and dependable vehicle operation, inspection and adjustment should be performed as outlined in "SERVICE AND MAINTENANCE". Your CHEVROLET retailer is willing to perform regular maintenance operation on your vehicle.

QUICK VIEW - CONTROLS AND INSTRUMENTS



- | | | |
|---------------------------------------|-----------------------------------|--|
| 1 Side Vent | 8 Cigarette Lighter | 15 Brake Pedal |
| 2 Center Vent | 9 Ashtray | 16 Accelerator Pedal |
| 3 Wiper & Washer Control Lever | 10 Audio <input type="checkbox"/> | 17 Hazard Warning Flasher Switch |
| 4 Exterior Lights Control Lever | 11 Hood Release | 18 Head Lamp Leveling Device |
| 5 Instrument panel | 12 Transmission Shift Lever | 19 Rear Defogger Switch |
| 6 Glove Box | 13 Steering Wheel and Horn Button | 20 Passenger IP Glove Box <input type="checkbox"/> |
| 7 Heating and Air Conditioning System | 14 Clutch Pedal | |



STEERING COLUMN CONTROLS

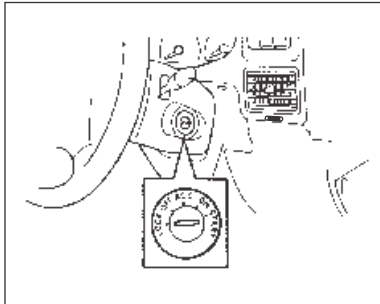
Steering wheel and horn button

The horn button on the steering wheel operates the horn.

CAUTION

Avoid turning the steering wheel while the vehicle is stationary.

NEVER move the vehicle with the steering locked, or damage to the steering assembly will result.



Starter switch

The switch has five position as shown in the figure.

“LOCK” : The key can be inserted or removed only when the switch is in this position.

“OFF” : The engine is shut off in this position.

“ACC” : In this position, electrical circuits for accessories are on.

“ON” : This position is for driving.



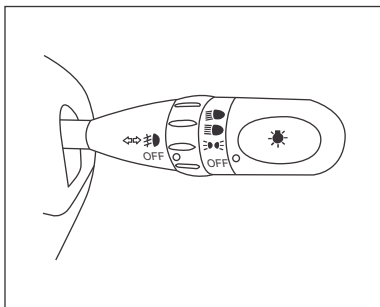
“START” : Turning the key to this position will start the engine.
The key returns to the “ON” position when released.

WARNING

NEVER attempt to turn the switch to LOCK while driving.

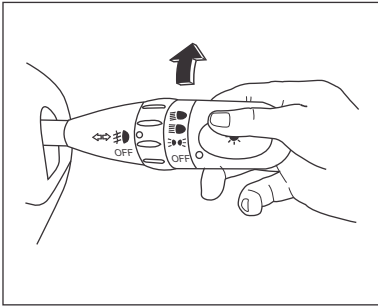
This will cause the steering wheel to lock.

If it is difficult to turn the key from LOCK to OFF, turn the steering wheel slightly in either direction while turning the key.



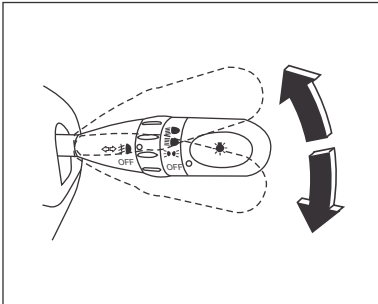
Combination light control switch

The switch controls the light switch, turn signal switch, dimmer switch, passing light switch and fog lamp.



Light switch

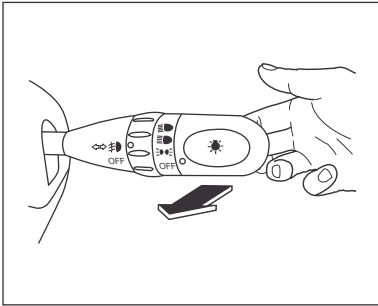
To turn on the clearance lights, tail lights, license plate lights, instrument panel lights, turn the switch knob clockwise. To turn on the headlights and other lights, turn the switch knob clockwise to definite stop.



Turn signal switch

Move the switch lever in the direction of the turn to be made so that the signal lights operate, causing the turn signal indicator light on the instrument panel to flash. The switch lever returns automatically to the neutral position when the steering wheel is returned to a straight ahead position (Specific angle dependent).

When changing lanes, move the turn signal lever part way and hold it there. When you release the lever, it will return to its normal position.

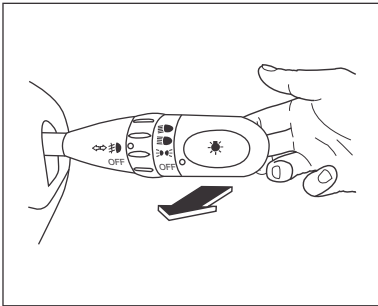


Dimmer switch

The headlight beam is alternately switched from high to low or from low to high each time the lever is raised. The headlight high beam indicator on the instrument panel lights up when the headlights are in high beam.

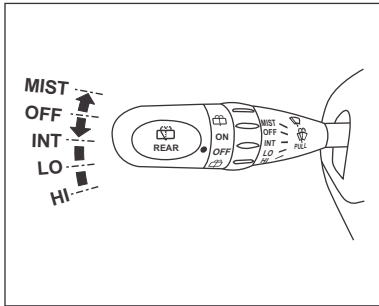
CAUTION

Always switch the high beam headlamps to low beam when you approach oncoming vehicles or when other vehicles are ahead.



Passing light switch

The headlight high beam turns on and goes out each time the lever is raised and released with the light switch in either the “OFF”, or the “1st” stop position. To signal overtaking, operate the lever repeatedly so that the headlights flash in daytime, and the high and low beams flash alternately at night.



Windshield Wipers

To operate the windshield wiper, turn the ignition ON and move the windshield wiper / washer lever downward. The windshield wipers operate in the following four position :

OFF : System off. Default position.

INT : Intermittent operation. Lever down one level

LO : Continuous wipe, slow speed. Lever down two levels.

HI : Continuous wipe, fast speed. Lever down three levels.

CAUTION

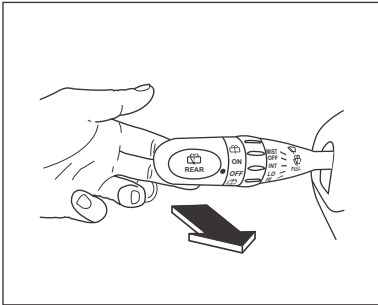
Do not operate the wipers when the windshield is dry. It may scratch the windshield glass. Check blades are not frozen to windows before operating in cold weather. This can damage the wiper motor.

Dust on windshield or on blade reduces the wiper blade life significantly and may cause streak marks on windshield during wiping. In case the vehicle is not used for more than a week or if dust is accumulated on windshield or wiper, clean the windshield and blade before using the vehicle. To clean the blade lift the blade to service position and wipe the lip of rubber element with clean soft cloth.

Mist Function

To operate the windshield wiper once in case of light rain or mist, lightly move the windshield wiper / washer level towards the MIST position.

The wipers will operate through one cycle.



Windshield Washer

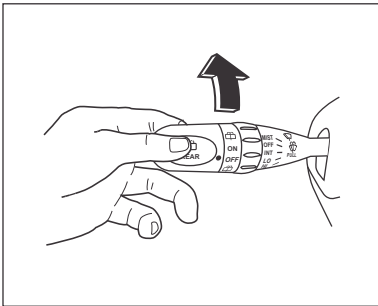
To spray the washer fluid on the windshield.

- Turn the Ign. switch ON.
- Pull the windshield wiper / washer lever towards you.

The lever will return automatically to its normal position when released.

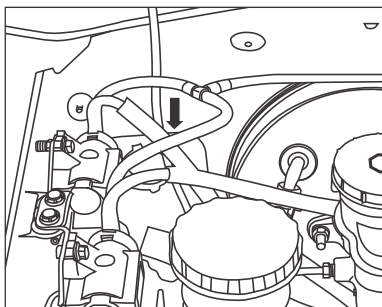
CAUTION

Do not operate the windshield washer continuously for more than 10 seconds, or when the washer fluid tank is empty. This can cause the washer motor to overheat resulting in costly repairs.



Rear Wiper and Washer

To operate the rear wiper, turn the rear wiper switch to ON position. To spray the washer fluid, turn the rear wiper switch to extreme top position. The washer fluid will spray as long as you hold the rear wiper switch to above mentioned position.



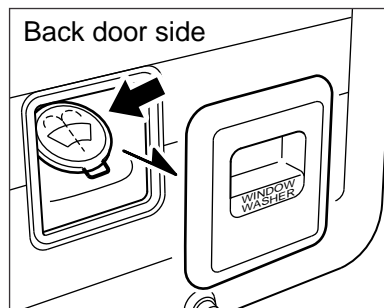
Windshield washer tank

The tank should be filled only with plain water, GMI genuine washer solution or equivalent.

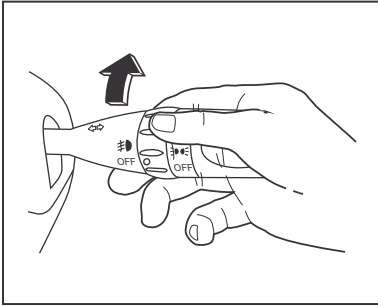
In cold weather, do not fill the windshield washer fluid reservoir more than three quarters full. Washer fluid can freeze and expand in cold temperatures. Filling the reservoir too much does not allow enough expansion room to prevent possible damage to the reservoir.

CAUTION

Do not put radiator antifreeze in the windshield washer reservoir. Radiator antifreeze can damage windshield washer system and vehicle paint.



Insert the lower portion of the cover first while re-fitting




Front fog light switch

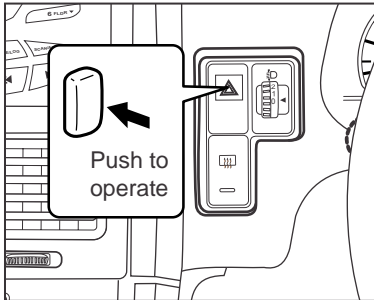
Fog lamps provide:

- Extra illumination to the sides of the road ahead.
- Improved visibility in fog or snow.

To turn the fog lamps on:

- Make sure that the parking lamp or headlamps are on.
- Turn the ring on the middle of the combination switch lever to  position.

To turn the fog lamps off, turn the ring to the OFF position.



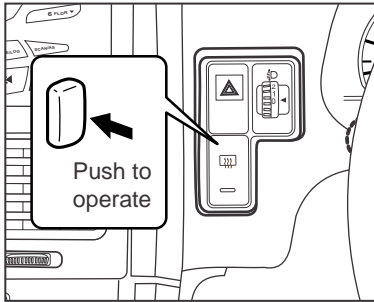
INSTRUMENT PANEL AND CONTROLS

Hazard warning flasher switch

When the switch button is pushed in, all signal lights flash regardless of the turn signal switch position. To turn off the flashers, push button again.

CAUTION

Use the warning flasher to warn other drivers anytime your vehicle becomes a traffic hazard, day or night.



Rear window defogger switch

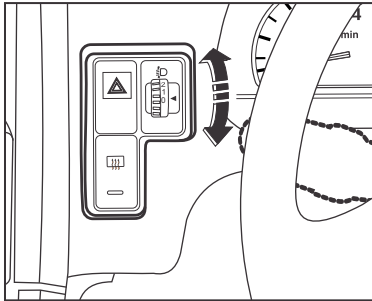
With the key turned on, push the rear window defogger switch to use the rear window defroster and defogger. The indicator light will turn on when this switch is in use. Turn off by pushing the switch again when the rear window is clear.

NOTE

If the switch is left on, the battery may run down.

CAUTION

Do not use sharp instruments or abrasive window cleaners on your vehicle's back door glass.

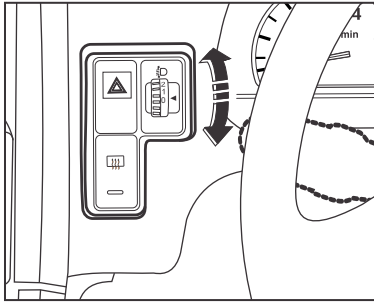


Head lamp leveling device

Adjust the headlight beam level with the following switch positions according to the number of passengers and load conditions:

10 seater

Sr. No.	Seating Position	Specification
1.	Vehicle unladen and one person in the driver seat	0
2.	Vehicle in laden condition	4



9 seater

Sr. No.	Seating Position	Specification
1.	One person in the driver seat	0
2.	The driver, plus one passenger in the front seat farthest from the driver	0
3.	The driver, one passenger in the front seat farthest from the driver, all the seats farthest to the rear occupied	2
4.	All the seats occupied	3
5.	All the seats occupied, plus an evenly distributed load in the luggage boot, in order to obtain the permissible load.	3
6.	Driver plus an evenly distributed load in the boot	4

8 seater

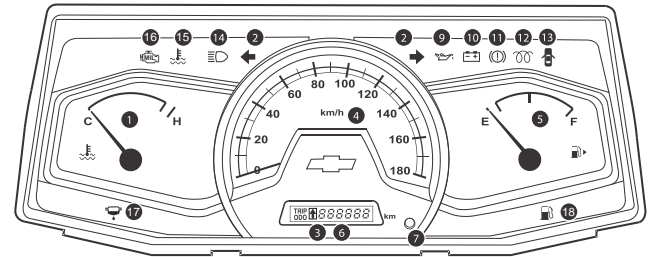
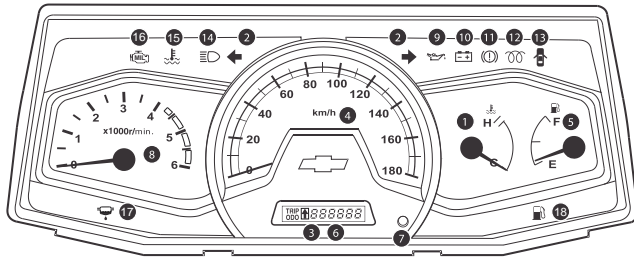
Sr. No.	Seating Position	Specification
1.	One person in the driver seat	0
2.	The driver, plus one passenger in the front seat farthest from the driver	0
3.	The driver, one passenger in the front seat farthest from the driver, all the seats farthest to the rear occupied	2
4.	All the seats occupied	3
5.	All the seats occupied, plus an evenly distributed load in the luggage boot, in order to obtain the permissible load.	3
6.	Driver plus an evenly distributed load in the boot	4

7 seater

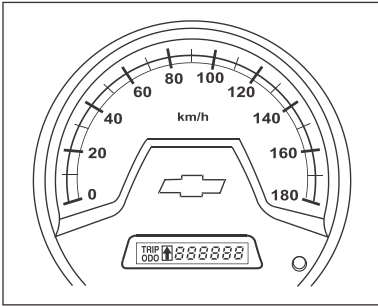
Sr. No.	Seating Position	Specification
1.	One person in the driver seat	0
2.	The driver, plus one passenger in the front seat farthest from the driver	0
3.	The driver, one passenger in the front seat farthest from the driver, all the seats farthest to the rear occupied	2
4.	All the seats occupied	3
5.	All the seats occupied, plus an evenly distributed load in the luggage boot, in order to obtain the permissible load.	3
6.	Driver plus an evenly distributed load in the boot	4

For any other loading condition, adjust the switch to a position so as not to be dazzle oncoming traffic/other vehicles ahead.

METERS AND INDICATOR LIGHTS

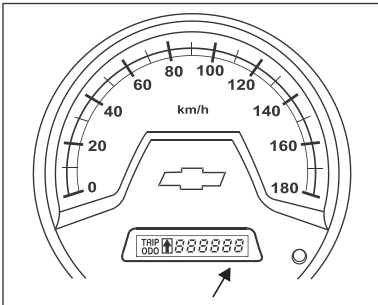


- | | | | | | |
|---|------------------------------|----|--|----|---|
| 1 | Temperature gauge | 8 | Engine tachometer <input type="checkbox"/> | 15 | Engine coolant temperature warning lamp |
| 2 | Turn signal indicator lights | 9 | Oil pressure indicator light | 16 | Malfunction indicator lamp |
| 3 | Odometer | 10 | Generator indicator light | 17 | Water separator indicator light |
| 4 | Speedometer | 11 | Brake system indicator light | 18 | Low fuel warning lamp |
| 5 | Fuel gauge | 12 | Glow plug indicator lamp | | |
| 6 | Trip counter | 13 | Door open warning lamp | | |
| 7 | Reset knob | 14 | High beam indicator light | | |



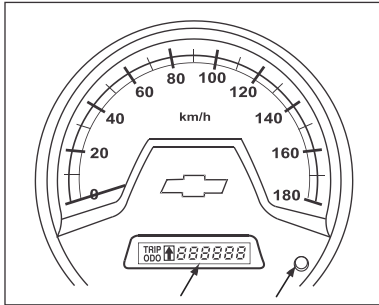
Speedometer

The speedometer indicates the vehicle speed in kilometers per hour (km/h).



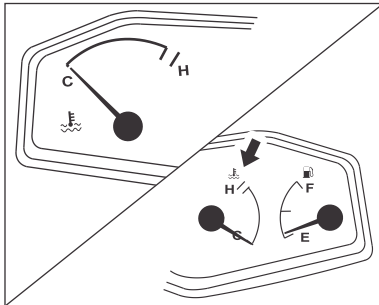
Odometer

The odometer registers the accumulated distance in kilometers. The figure on the extreme right indicates 1 kilometer.



Trip counter and reset knob

A reset knob for the trip counter is located on the lower section of the meter. To reset the trip counter, push the knob in. The trip odometer is used when you want to know point-to-point distance and running kilometers reached in a certain period of time. Further, the trip odometer can indicate two kinds of point-to-point distance. Push the reset knob for approximately one second or less, and the indication will be changed in order of odometer, trip meter A, trip meter B, and odometer. Continue to push the knob for approximately one second or more when the meter (trip A, trip B) is indicated, and the indication will return to 0 (zero).

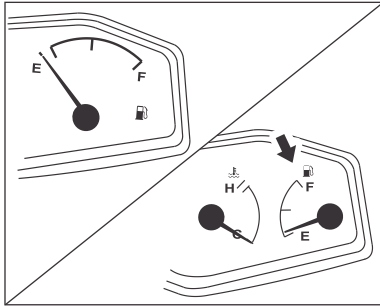


Temperature gauge

The temperature gauge indicates the temperature of engine coolant when the starter switch is "ON". When the gauge needle is within the thick line on the scale while driving, coolant temperature is normal.

CAUTION

If the gauge indicates overheating condition, stop the vehicle and keep the engine idling until coolant temperature lowers to a normal level. Do not drive the vehicle until problem has been solved. Consult your CHEVROLET retailer.



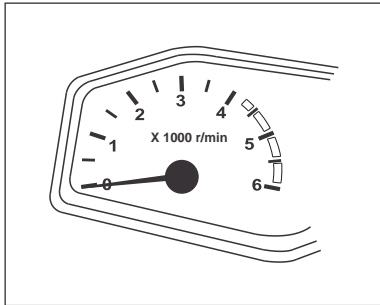
Fuel gauge

The fuel gauge indicates the level of fuel within the fuel tank when the starter switch is “ON”.

The letters “F” and “E” represent “Full” and “Empty” respectively. When the key is turned to the “OFF” position the needle does not return to the (empty) mark but remains to indicate the approximate fuel level. Movement of the fuel within the fuel tank causes the fuel gauge pointer to move when you brake, accelerate or turn. The indication is not linear and only indicative.

NOTE

When the ignition is switched “ON” fuel gauge needle goes to E level and then returns to show the fuel level.



Engine tachometer

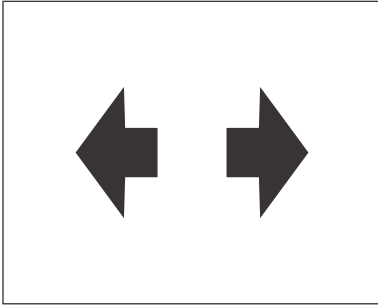
The engine tachometer indicates the engine speed in rpm. The red colored zone represents critical engine speed.

CAUTION

Never operate the vehicle with the tachometer needle in the red zone. Continued operation with the tachometer needle in the red zone can lead to serious engine damage.

NOTE

All gauges will self test by deflecting initially when ignition is switched on.

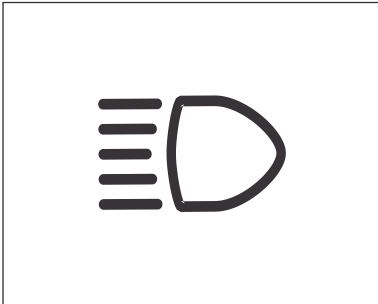


Turn signal indicator lights

When the turn signal switch or hazard warning flasher switch is turned on, the turn signal indicator light flashes to indicate operation of the turn signal lights or hazard warning lights.

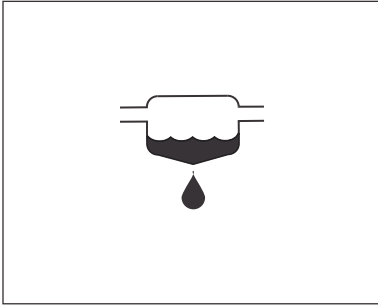
CAUTION

These indicators are required for safe driving. Immediately replace any burned out bulbs in your turn signal and hazard warning flasher indicators.



High beam indicator light

The high beam indicator light comes on when the high beams are in use.



Water separator indicator light D

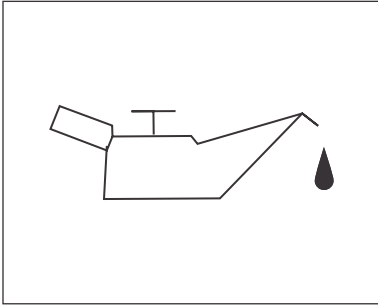
The water separator indicator light illuminates when the water level in the fuel filter exceeds a certain level. The accumulated water in the fuel filter should be drained immediately to avoid damage to the fuel system. The warning light will go off when the draining is completed.

CAUTION

If water separator requires frequent draining, have the fuel tank drained at your CHEVROLET retailer.

NOTE

If the light comes on and remains on with the engine running, it indicates the need for draining of the water separator.

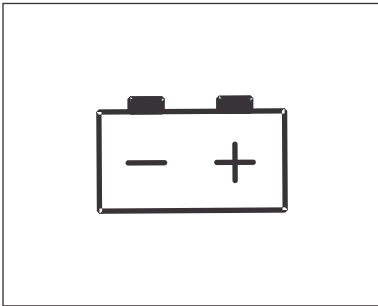


Oil pressure indicator light

The oil pressure indicator light comes on when the starter switch is "ON". The lamp should go out after engine starts.

CAUTION

If the light comes on while driving, it indicates that the oil pressure is dangerously low. Stop the engine immediately and check the level of the oil in the engine crankcase after waiting for few minutes. If the oil level is normal, have the lubricating system checked at your nearest CHEVROLET retailer. Do not run the engine with the light illuminated.

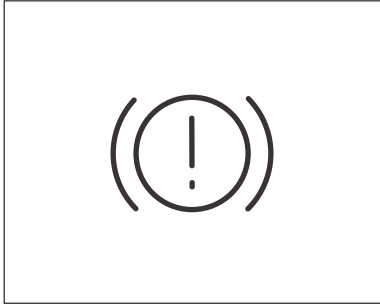


Generator indicator light

The generator indicator light comes on when the starter switch is turned to "ON" and goes off when the engine is started.

NOTE

If the light comes on while driving, have the generator circuit checked at your nearest CHEVROLET retailer.



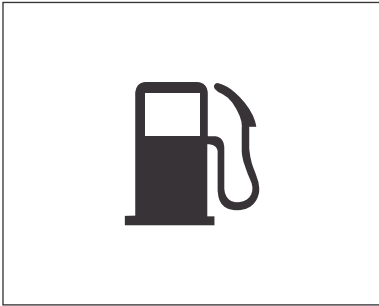
Brake system indicator light

The brake system indicator light comes on when the parking brake lever is pulled with the starter switch “ON”, or the brake fluid in the reservoir is lower than the specified level with the parking brake lever released.

WARNING

If the light turns on while driving, stop the vehicle immediately and check the level of brake fluid in the reservoir. If the level is too low, have the vehicle towed in for repairs.

Driving with malfunctioning brakes can lead to collision resulting in personal injuries and damage to your vehicle and other property.



Low fuel warning lamp

This warning lamp comes on when the fuel tank is low on fuel. Fill up the fuel tank as soon as possible when warning lamp comes on.

CAUTION

Do not let your vehicle to run out of fuel. This can lead to temporary air trap in fuel system which will affect your next start after refueling.



Malfunction indicator lamp (MIL)

The MIL illuminates briefly as you turn the ignition ON, before you start the engine. This means that the indicator bulb is operating properly. The lamp should go out after the engine is started.

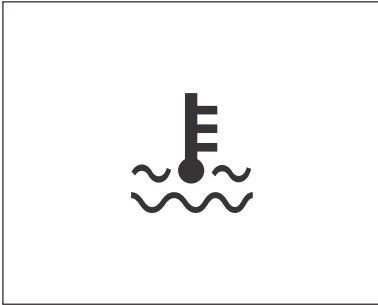
The MIL will illuminate if a fault exists in the emission related components or related sub systems.

MIL light will stay on as long as the Electronic Control Module (ECM) detects the fault. Consult a CHEVROLET retailer to repair the problem as soon as possible.

CAUTION

Do not drive with the malfunction indicator lamp on.

The indicator lamp signals that your vehicle has problem that requires attention. Driving with the malfunction indicator lamp on can damage the emissions control system and can affect the fuel economy and driveability of your vehicle.



Engine coolant temperature warning lamp

This lamp illuminates when the engine coolant gets overheated.

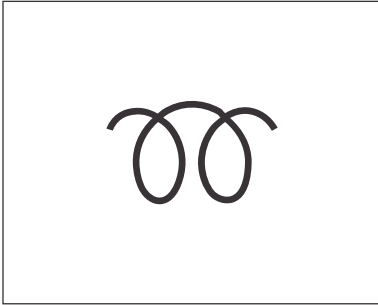
If you have been operating your vehicle under normal driving conditions, you should pull off the road, stop your vehicle and let the engine idle for a few minutes.

If the lamp does not go out, you should switch the engine off and consult your CHEVROLET retailer as soon as possible.



Door open warning lamp

Illuminates when a door is open or not securely latched.

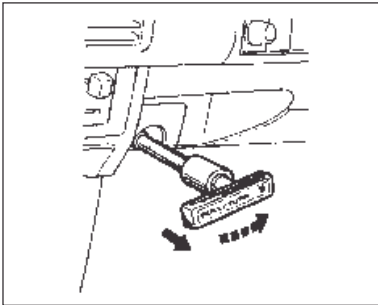


Glow plug indicator lamp

The glow plug indicator illuminates when the ignition is switched ON and goes out when the glow plug reaches the requisite temperature. Do not crank the engine when the glow plug indicator is ON to avoid excessive load on battery and to ensure effective starting.

CAUTION

When the glow plug indicator comes on while driving or the engine cannot be started properly, you should consult your CHEVROLET retailer to repair the problem as soon as possible.

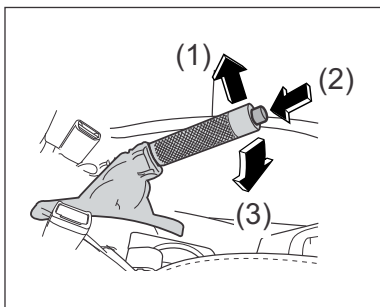


Dash panel parking brake

To set the parking brake, pull the handle as far as possible toward you. To release, pull the handle slightly toward you, turn the lever counterclockwise, and then push it all the way forward.

CAUTION

Never drive with the parking brake set as this may overheat or otherwise damage the parking brake mechanism.



Floor mounted parking brake

The parking brake acts on the rear wheels.

The parking brake lever is located between the front seats.

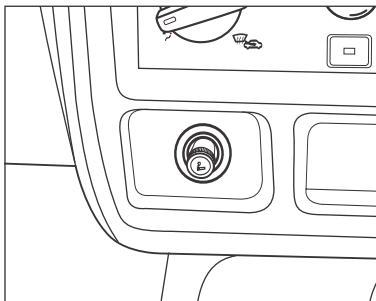
To set the parking brake, stop the vehicle, press the brake pedal and pull the lever up firmly.

To release the parking brake, press the brake pedal and;

1. Pull the lever up slightly.
2. Push the button on the tip of the lever.
3. Lower the lever while holding the button in.

CAUTION

Never drive with the parking brake set as this may overheat or otherwise damage the parking brake mechanism.



Cigarette lighter

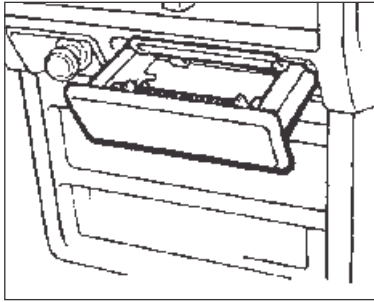
To operate, push the knob in and allow a few seconds for heating. The knob pops out when heated and ready for use.

NOTE

If the lighter does not spring back after 18 seconds, it is not operating and must be pulled out to the normal position by hand. Trying to operate a malfunctioning lighter can be dangerous. Consult your CHEVROLET retailer.

CAUTION

The barrel of an operating cigarette lighter can become very hot. Do not touch the barrel of the cigarette lighter.

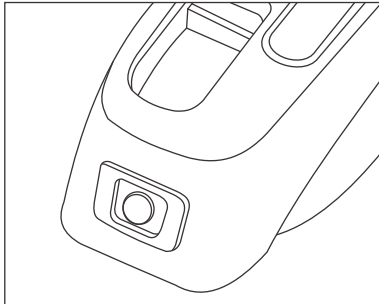


Ash tray

CAUTION

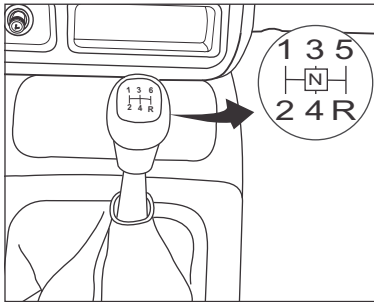
After using the ash tray, push it back in completely. If not, the flame of the cigarette may cause other cigarette butts to burn, resulting in a fire.

Pull out to use. To clean, remove the tray by pulling it while pushing down the retainer spring.



APO – Auxiliary Power Output

The APO is installed on the rear side of the center console.



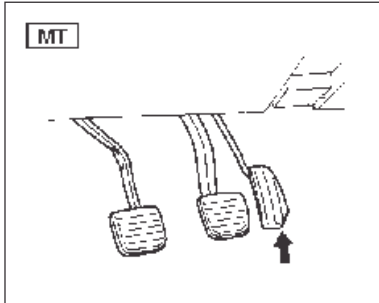
FLOOR CONTROLS

Transmission gearshift lever **MT**

The transmission gearshift lever controls fully-synchronized transmission. The gearshift pattern is shown on the lever knob.

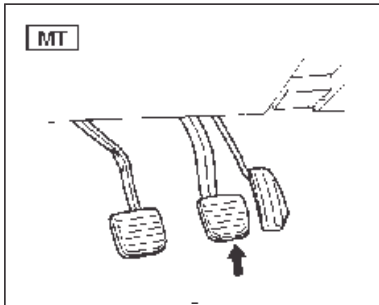
NOTE

Allow the vehicle to stop completely before shifting into reverse, no sooner than three seconds after declutching. The back-up lights operate when shifted into reverse with the starter switch "ON".



Accelerator pedal

To avoid unnecessary increase in fuel consumption, the accelerator pedal should be operated smoothly and reasonably.



Brake pedal

Avoid stopping hard by operating the foot brake pedal in a smooth manner. When descending a slope, it is always advisable to use the foot brake in combination with the engine braking effect.

WARNING

If the brake pedal can be pressed further than normal, the brakes may be in need of repairs. Consult your CHEVROLET retailer immediately.

NOTE

Disc brake wear indicators:

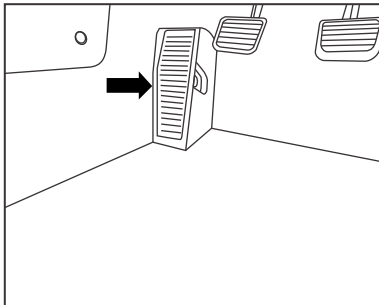
Front disc brakes have built-in wear indicators which are designed to make a high pitched squealing or cricket-like warning sound when the brake lining is worn to where new linings are needed. The sound will come and go, or be heard all the time when the wheels are rolling, but may stop when the brake pedal is pushed down firmly. Extensive damage can result if the linings are not replaced when needed.

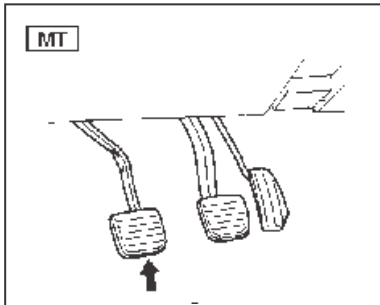
CAUTION

Do not drive with your foot resting on the brake pedal.

Footrest/ Dead pedal:

This is an additional feature for drivers comfort, driver can rest his left foot on the footrest, If the clutch not in use while driving. The footrest is ergonomically designed to give maximum comfort to the drivers foot.



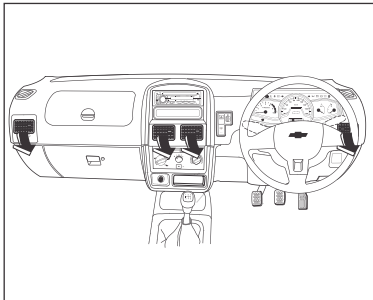


Clutch pedal MT

The clutch pedal should be fully depressed when disengaging. Not doing so, may result in grating of the gears.

NOTE

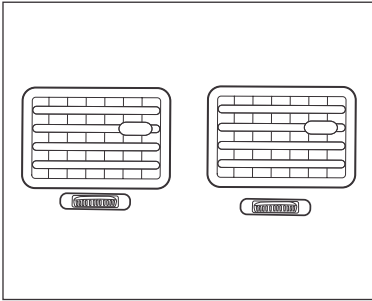
Do not allow your foot to rest on the pedal when not using clutch.



OTHERS

Ventilators

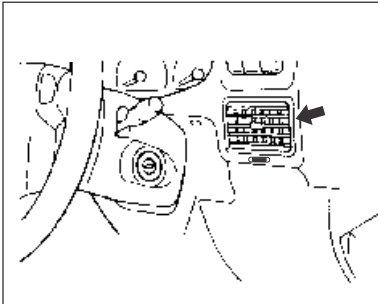
A pair of center air outlets is located in the center part of the instrument panel. The side air outlets are located at each end of the instrument panel.



Center vents

Two center vents are provided on the instrument panel.

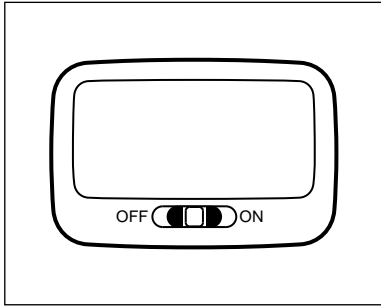
The knobs at the center part of the grille controls direction of air flow vertically and horizontally.



Side vents

A side vent is located at each end of the instrument panel.

The knob at the center part of the grille controls direction of air flow vertically and horizontally.



Dome light

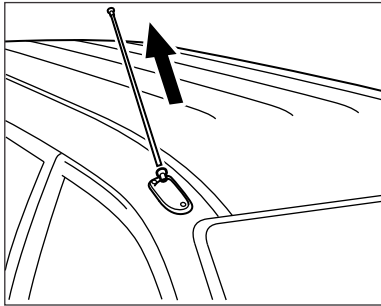
Front and rear side

The dome light is operative at any starter switch position.

“OFF” : The light stays off regardless of the door position.

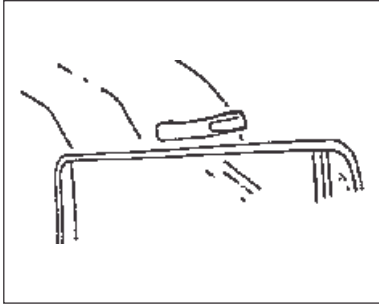
“ON” : The light will turn on and stay on regardless of the door position.

When the dome light switch is at center position, the light will turn on while either* door is opened.



Antenna

Pull out the antenna to gain sensitivity.



Assist grip with coat hook

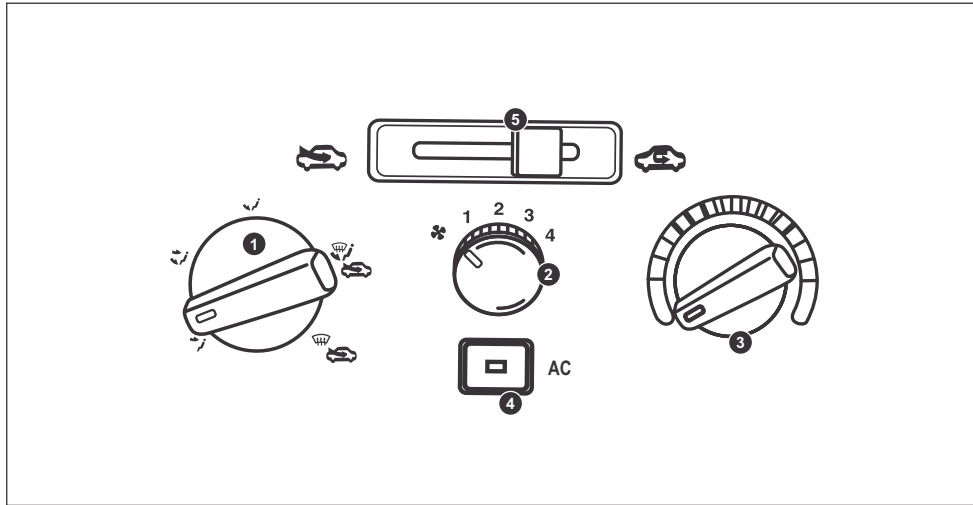
Each assist grip is attached to the roof above the side window of assist seat and rear seat. The grip above the Rear RH side door includes the coat hook.

Additional assist grips* provided on selected variants (10 Seater) to assist occupants on driving conditions.

CAUTION

Hanging items on your vehicle's assist grips can obstruct the driver's view. Do not hang anything on the assist grips. Obstructing the driver's view can lead to an accident resulting in personal injuries and damage to your vehicle and other property.

HEATER-DEFROSTER AND AIR CONDITIONING V



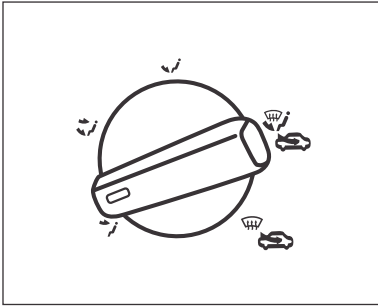
1 Air distribution mode knob

3 Temperature control knob

5 Air source select lever

2 Fan control knob

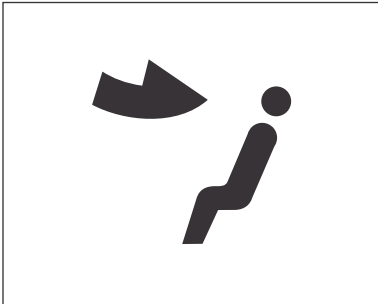
4 Air conditioning (AC) switch



Air distribution mode knob

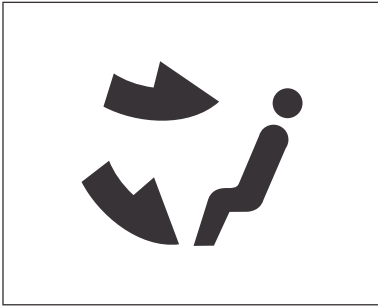
The knob regulates air flow from the heater, defroster and air conditioning or ventilating outlets.

1. FACE OUTLET (Air to your face)
2. BI-LEVEL (Air to your face and feet)
3. FOOT OUTLET (Air to your foot)
4. FOOT OUTLET & DEFROSTER (Air to your foot and windshield)
5. DEFROSTER (Air to windshield)



Face outlet

Air is discharged from the upper outlets. This position is used for most air conditioning situations.



BI-level

Air is discharged from the upper air outlets and the floor air outlets.



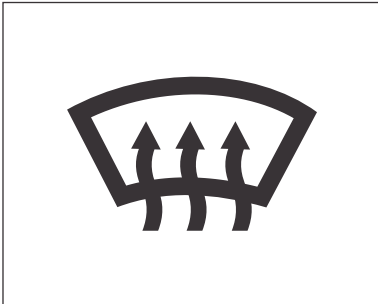
Foot outlet

Air is delivered from the foot outlet.



Foot outlet and defroster

Air is delivered from the foot outlet with a small amount from the defroster outlets and the side window defroster outlets.



Defroster

Air is delivered from the defroster outlets with a small amount delivered from the side window defroster outlets. This position is recommended for conditions of severe fogging and icing only.

OPERATING TIPS - The windshield defrosting and defogging system assist in providing good visibility through the critical area of the windshield under most inclement weather conditions. The windshield should be scraped clear, if coated with ice or snow.

To defog glass:

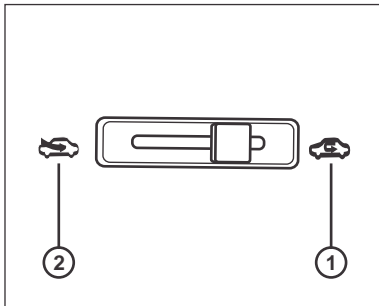
- Set air distribution mode knob to DEFROST. If set to FOOT/DEFROST, air will be sent to feet simultaneously with defogging. (Since airflow to glass is decreased, defogging capacity becomes lower than DEFROST.)

To defog glass more quickly:

- Operate A/C* (Turn on the A/C switch).
- Increase airflow (Operate fan control knob).
- Set a higher temperature* (Operate temperature control knob).

NOTE

If air-source selector lever is set to INSIDE AIR, air can be conditioned quickly, but the glass is easy to fog. Therefore, set the lever to OUTSIDE AIR in the situation where the glass is foggy.

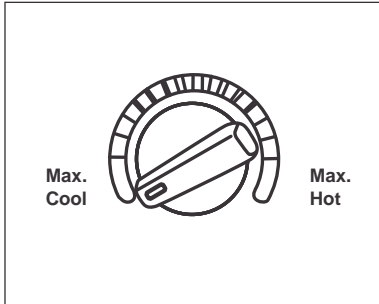


Air source select lever

The intake of outside air (2) and the circulation of inside air (1) is controlled by sliding this lever left or right.

NOTE

Circulating only inside air for an extended period of time may cause windshield clouding. For good ventilation, switch to outside air as soon as possible.



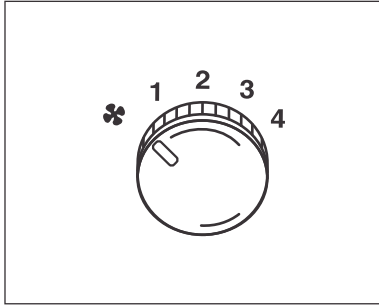
Temperature control knob

The temperature control knob controls the temperature of the air that comes through the air vents.

Turn the knob to the blue area to get cool air and to the red area to get warm air .

NOTE

- *Prolonged maximum heating usage may cause window fogging, which may create poor visibility. Maximum heating should be regulated and be used for a limited time.*
- *After long hours of parking under the sun, be sure to open the windows and doors to release the interior heat before starting the air conditioner (A/C).*
- *Prolonged maximum cooling usage may require changing the air intake/circulation lever to outside air intake to allow fresh air into the cabin.*
- *Sometimes mist may appear to come out of the air vents during air conditioning cooling operation, this is due to the presence of moist air in the vehicle. This is normal.*



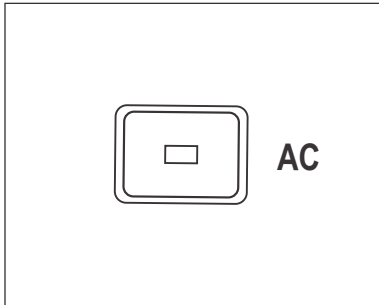
Fan control knob

You may control the rate of airflow coming from the system by turning the fan speed control knob. Turn the knob clockwise to increase the fan speed and counterclockwise to decrease the fan speed.

Adjust the fan control knob from step 1 to step 4 as you wish.

NOTE

- *Long-time maximum heating may cause fogged glass and poor visibility ahead. So, please do not use maximum heating for a long time.*
- *After long hours of parking under the blazing sun, be sure to open the windows and doors to release the interior heat before starting the air conditioner (A/C).*
- *Long-time maximum cooling pollutes the room air. Slide the Air intake/circulation lever to intake outside air or open the windows for ventilation as required.*
- *During cooling, the moist air is quickly cooled and it may look like mist from the air outlet. This is normal.*
- *Even when the air conditioner is not used, periodically operate the air conditioner for several minutes with the engine idling so that the system does not run out of oil.*



Air conditioning (AC) switch

Push this switch to operate the air conditioning system. The light-emitting diode in this switch lights up as the system is operating. To turn off the air conditioning push this switch in again. Air conditioning will not operate without the fan control knob in one of ON positions.

WHEN REMOVING FROST AND FOG FROM THE FRONT AND SIDE GLASSES

Turn the Air distribution mode knob to the "DEFROSTING" position.

NOTE

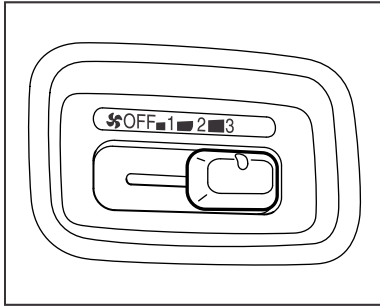
When operating the air conditioner with the Air distribution mode knob set to the "DEFROSTING" position, do not set the air conditioner to the "MAXIMUM COOLING" position. Otherwise the outside of the glass could fog and cause poor visibility ahead.

QUICK DEFROSTING MEASURE

Turn the temperature control knob clockwise until it stops. Turn the Air distribution mode knob to the "DEFROSTING" position. Slide the Air intake/circulation changeover lever to circulate air.

NOTE

Continuous defrosting operation in the circulation status may cause fogged glass and poor visibility. On completion of defrosting, be sure to change to the air intake status.

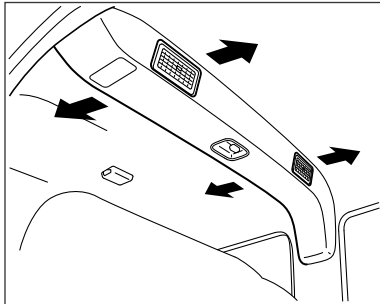


Rear cooler control lever

By sliding this lever, cool air is delivered from the cooler outlets, when the AC & Blower switch is in ON position. Air flow can be controlled in 3 steps.

NOTE

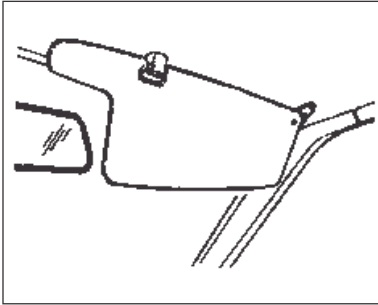
The rear cooler operates only when the front cooler is in operation. The switch is located on the center of duct.



Rear cooler vent

Rear cooler delivers air from the vents at the ceiling.

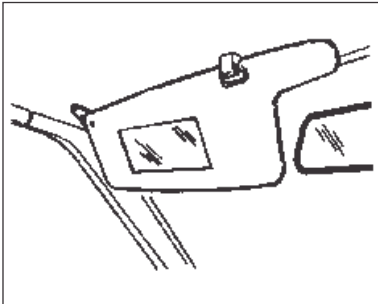
The knob at the center part of the grille controls direction of air flow vertically and horizontally.



Sun Visors

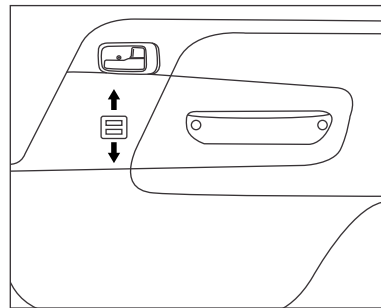
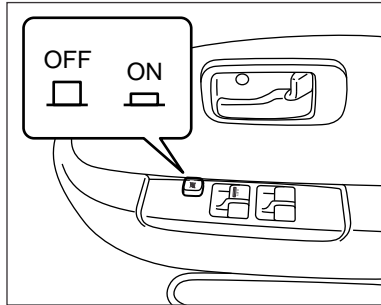
Your vehicle is equipped with sun visors to protect the driver and passenger* from glare.

You can swing the sun visors up and down, and to the side.



Vanity Mirror

The vanity mirror has been provided on the back of co-driver sun visor.



Power window

Windows on either side of the vehicle can be opened or closed with the switch at the driver's side. The windows operate only when the starter switch is "ON". To open any of the passenger's windows, push down on the switch and hold it down until the window reaches the desired position.

To close the window, pull back on the switch. Release the switch when the window reaches to the position you want.

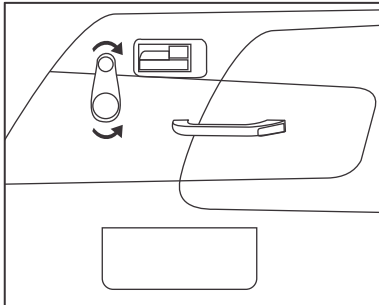
AUTO* - To open the driver's window fully, push the switch firmly down till a click is heard and release it.

When the lock switch of driver's side is in "ON" position the passengers' window control switch can not be operated even from driver's side. Press the lock switch once again, and the power window will be unlocked.

The window on the passenger side can also be controlled with the switch on the passenger side.

WARNING

- *To assure the safety of children and others, make sure that all passengers have their hands, etc. inside the vehicle before opening and closing the windows.*
- *Remove the key when leaving the vehicle to avoid unintentional window operation by children.*
- *Make sure the door lock switch is in the "ON" position (depressed) when children are in the vehicle.*

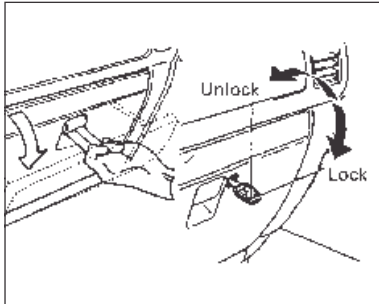


Regulator handle

Turn the window regulator handle to raise or lower the door window.

WARNING

Unattended vehicle with open windows can assist car crime. Close all windows when leaving vehicle.



Glove compartment

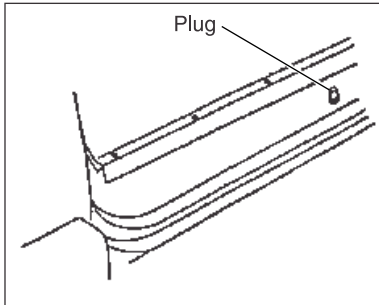
The glove compartment is located on the passenger's side end of the instrument panel.

To lock : Insert the key and turn it clockwise 90 degrees.

To open : Insert the key and turn it counterclockwise 90 degrees. If the glove compartment is not locked (simply closed), it can be opened by pulling the handle.

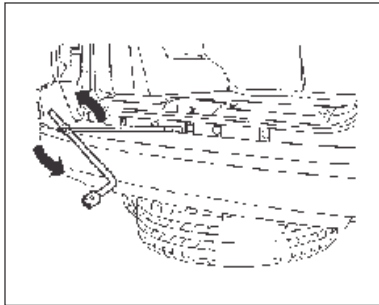
CAUTION

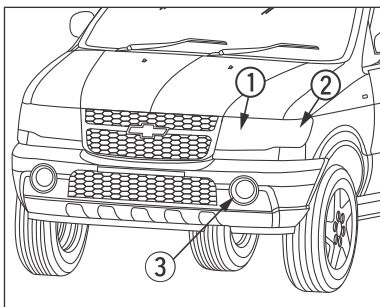
*In the case of a collision or a sudden stop, an open glove box presents a hazard.
Do not drive with glove box open.*



Spare wheel hanger

The spare wheel is secured to the rear part of the chassis frame by chain. To lower the spare wheel, open the back door and take out the plug. Then insert the handle into the hole in the rear face of the vehicle to engage the catch and turn the handle counterclockwise. To raise, turn the handle clockwise until it stops, then give an additional turn to securely hold the spare wheel in position. Please see "In case of emergency" about tool location.

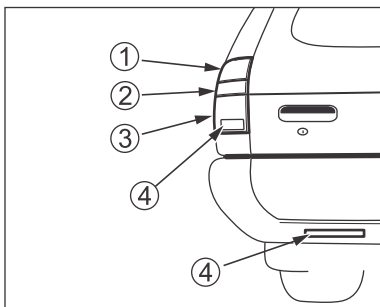




External lights

Front side

- 1 Headlights and clearance lights
- 2 Front turn signal lights
- 3 Fog lights



Rear side

- 1 Turn signal lights
- 2 Back up lights
- 3 Tail and stop lights
- 4 Reflector

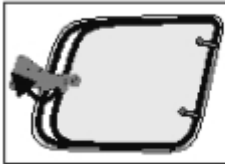


Tilt Quarter Window **V**

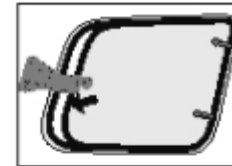
1. Pull the handle inward to unlock the window.



2. Push the handle outwards to open the window.



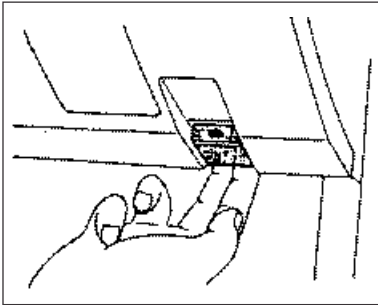
3. To hold the window in the open position, secure the handle in lock position by pushing it in the direction as shown.



4. For closing the window, un secure the handle and pull the handle inwards to close the window.



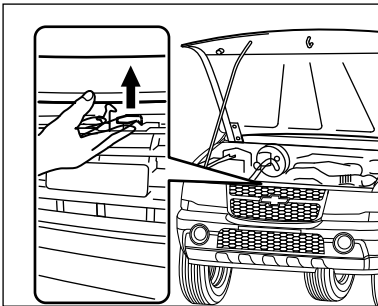
5. To lock the window in closed position, press the handle till the click sound is heard.



Engine hood release lever

To raise the engine hood, unlock the hood lock by pulling the release lever under the instrument panel on the driver's side and unlock the safety catch under the engine hood. Raise the hood all the way up.

To make the hood stay in position, be sure the support rod end engages in the hole in the hood reinforcement. To close, remove the support rod end from the hole in the hood reinforcement and put the support rod back into the clip on the deflector panel. Then lower the engine hood, allowing it to drop from a height. Make sure the hood is locked firmly in place.

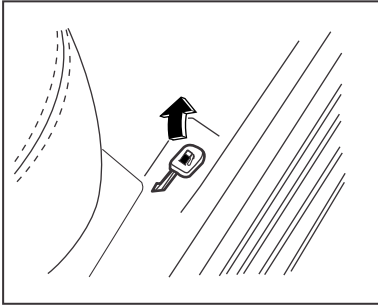


WARNING

Pull on the front edge of the hood to make sure it is latched securely before you drive your vehicle.

Do not pull the hood release handle while your vehicle is moving.

Do not move your vehicle with the hood open. An open hood will obscure the driver's vision.



Fuel tank filler cap

The vehicle is equipped with a fuel door release mechanism.

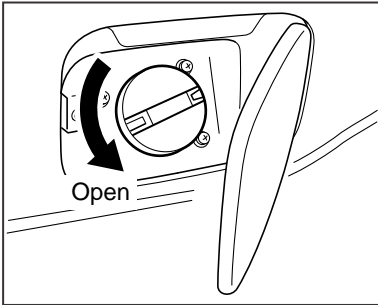
Pull up on fuel filler door release lever located on the floor, right front side of driver's seat. Turn the fuel filler cap counter clockwise to open the fuel filler cap.

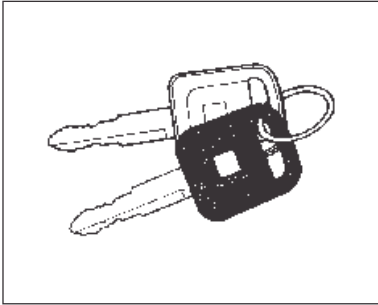
To close the filler cap, turn clockwise until a clicking sound is heard (at least 3 clicks)

NOTE

Diesel engine:

Use diesel fuel at 48 cetane rating or higher.





BEFORE DRIVING YOUR VEHICLE

OPERATION OF CONTROLS

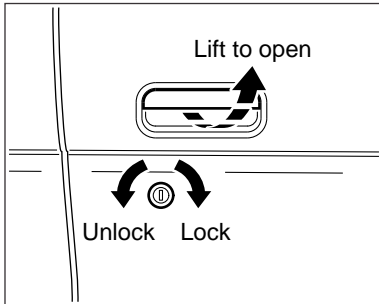
Key

Two keys are provided with your new CHEVROLET. The key number is stamped on the key number plate. Record the key number and keep it in a safe place such as your wallet.

NOT IN THE VEHICLE.

NOTE

In the event the master keys are lost, duplicates can be made by your CHEVROLET retailer using the key code information.

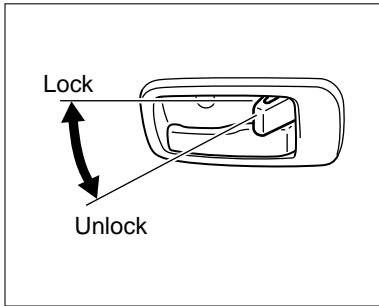


Outside door handle/Door lock (outside)

The door can be opened by pulling the outside door handle. It can be locked by inserting the starter key in the door lock and turning it.

NOTE

Be careful not to lock your keys in the vehicle.



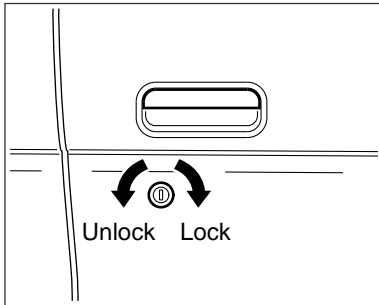
Inside door handle/Door lock (inside)

The door can be opened by pulling the inside door lock lever.

The door can be locked by pushing in the door lock knob after closing it.

NOTE

Before driving, be sure that the doors are closed and locked, especially when young children are in the vehicle.

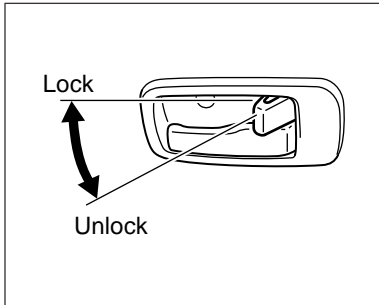


Power door locks

Power door locks on all vehicle doors can be controlled from the driver's seat with the door lock knob. This knob operates independently of the starter switch position.

Locking and unlocking the power lock doors from the outside

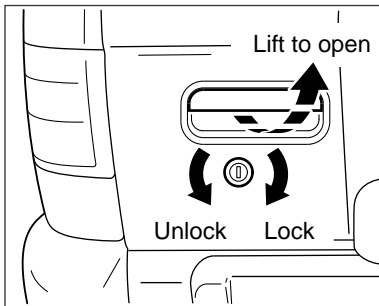
Insert the key in the driver's door key cylinder. Turn the key clockwise to lock all the doors and counterclockwise to unlock them.



Locking and unlocking the power lock doors from the inside

Push the driver's side door lock to lock all the vehicle doors and pull to unlock them.

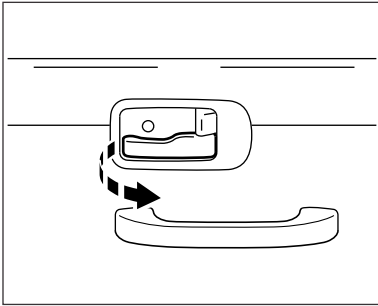
Individual door locks can also be locked or unlocked by the passengers' side.



Back door

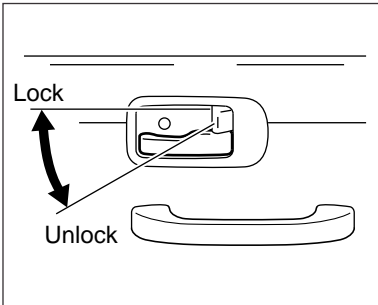
The back door can be opened by pulling the outside door handle.

Door can be locked by inserting the starter key into the back door and turning it.



Back door inner handle

The back door can be opened by pulling the back door inner handle.

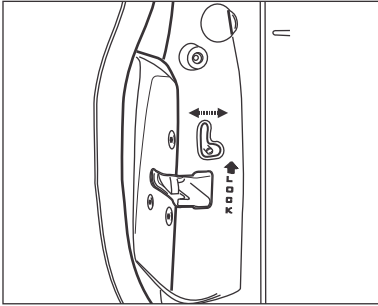


Back door lock (Inside)

The back door can be locked by pushing in the door lock knob after closing it.

NOTE

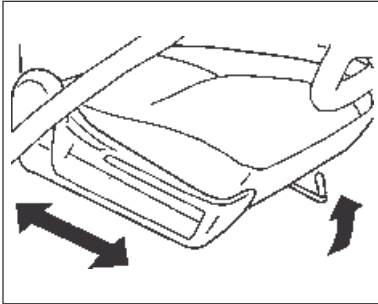
Before driving, make sure that the door is closed and locked, especially when young children are in the vehicle.



Child-proof door locks

Rear doors can be locked by closing the door with the child-proof lever pushed towards arrow. Rear doors can not be opened from inside regardless of the position of the lock button.

To unlock the child-proof lock, open the door from the outside and slide lever away from the arrow.



Driver's seat

Seat adjuster

The driver's seat can be moved forward or backward for your comfort.

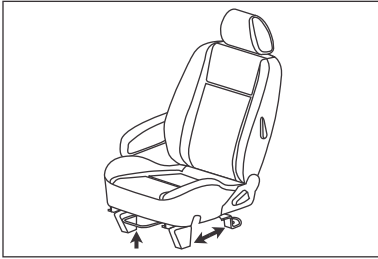
Pull the seat adjuster at the front lower part of the seat upward, so that the seat can be moved forward or backward as desired.

After adjusting the seat position, push the seat forward and backward to make sure the seat adjuster has latched.

WARNING

Do not adjust the driver's seat while the vehicle is moving.

The movement of the seat could cause the driver to lose control of the vehicle.



Captain seat's with arm rest - Front and second row seat's only

Seat slide adjustment

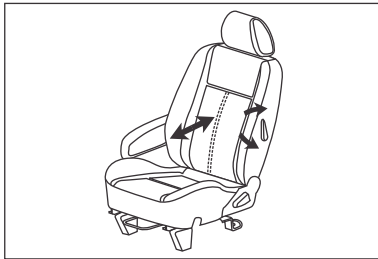
To move the seat forward or backward :

1. Pull up and hold the lever located under the front lower part of the seat.
2. Slide the seat to the desired position.
3. Release the lever.



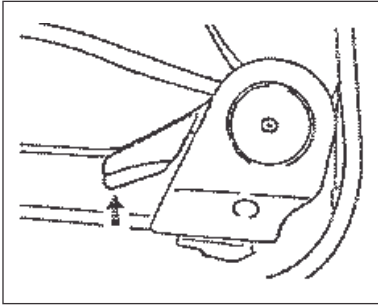
Seat reclining adjustment

To tilt seat back or forward, lift the adjust lever on the door side of the seat cushion until seat back is adjusted to the desired position.



Seat lumbar support

To adjust the seat lumbar support, turn the lever on the door side of the seatback up or down until the desired support is achieved.

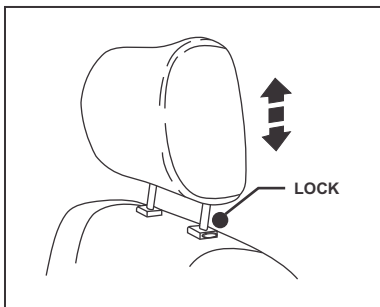


Seat back

Front seat back inclination angle can be adjusted by raising the adjust lever on door side of seat.

WARNING

- *To reduce the risk of injury and to ensure maximum seat belt effectiveness during a collision or a sudden stop, the seat should not be reclined any more than needed for comfort. The seatback and seat belts work best only when the occupant is sitting well back and straight up in seat. If the seat is reclined, you may slide under the lap belt, causing force to be applied to your abdomen, or you may not be fully restrained, depending on the nature of the accident, increasing the likelihood of injuries.*
- *Do not adjust the driver's seatback while the vehicle is in motion. The seatback could move unexpectedly and cause the driver to lose control of the vehicle.*



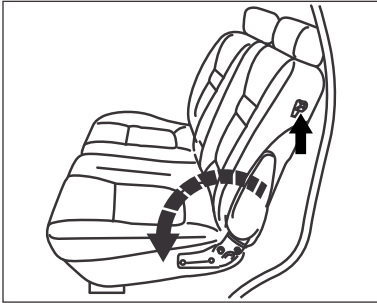
Head restraint

Height adjustment

The head restraints are adjusted for height. You need both hands to adjust the restraint. Press the release button and move the restraint up and down, so that your head is nearly centered on the head restraint.

WARNING

- Do not attempt to adjust the driver's head restraint while the vehicle is in motion, because it could cause a loss of control of the vehicle.
- Do not operate the vehicle with the head restraint removed, since it will increase the risk of neck injury in the event of an accident.

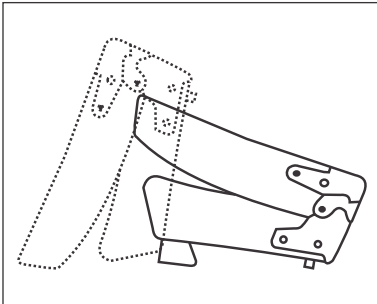


Folding type second seat

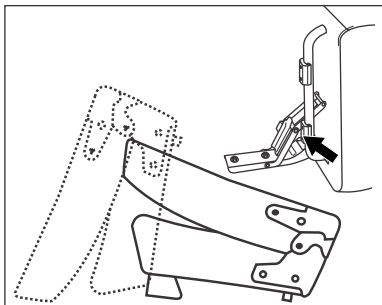
Folding the second seat

The second seat can be folded forward to provide additional luggage space.

1. Pull any of the lever upward on the either side of backrest and fold the seat back forward.



2. Lift the entire seat and push it forward.



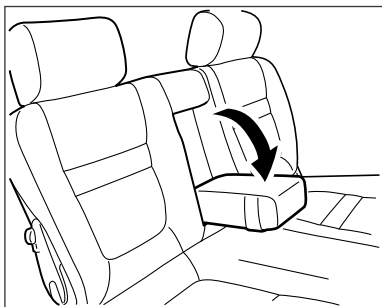
Folding type second seat

Unfolding the second seat

1. Lift the entire seat. Some variants require pulling of lever as illustrated.
2. Raise the seat back.

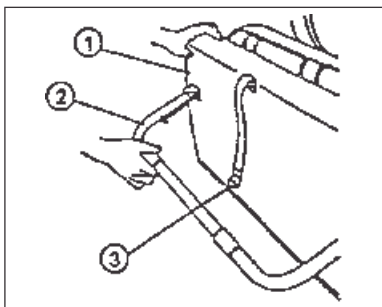
CAUTION

Ensure that the latch area is clear of any objects.



Center armrest

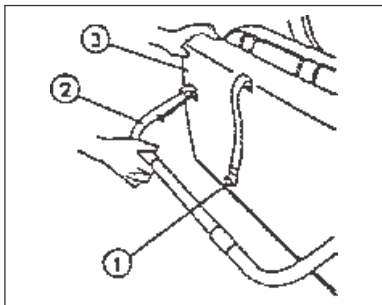
The center armrest can be pulled out when there are only 1 or 2 second row seat passenger.



Folding type jump seat

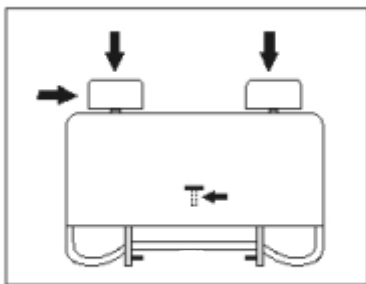
Folding the jump seat

1. Tilt seat cushion (1) upward.
2. Tilt seat trigger (2) downward.
3. Secure the seat lock strap (3) to the seat back mounted hook.



Unfolding the jump seat

1. Raise the seat trigger (2).
2. Release the seat lock strap (1) from the hook and fix the strap to the seat cushion.
3. Lower the seat cushion (3).

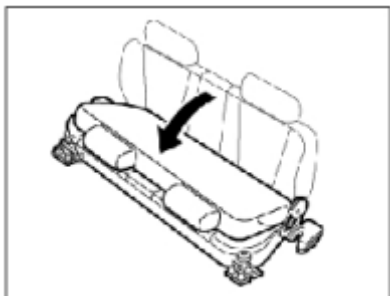


Folding type third seat

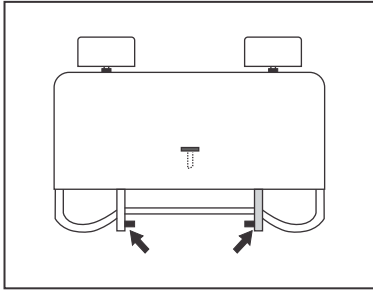
Folding the third seat

The third seat can be folded forward to provide additional luggage space.

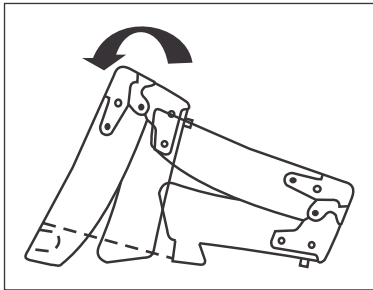
1. Press the head rest sleeve knob to push the head rest down.
2. Pull the Strap (Black colour) down provide on the rear side of the back seat.



3. Fold the seat back rest forward.

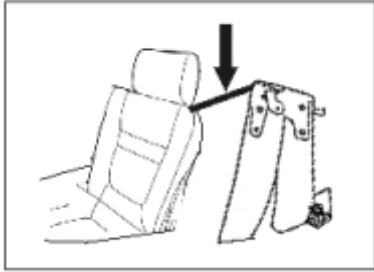


4. Pull the seat latch lever towards your side to detach the seat latch.
5. Lift the entire seat with rod and push the seat assembly forward.

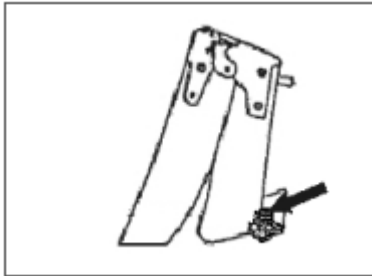


CAUTION

Do not use seat latch lever to lift the seat.



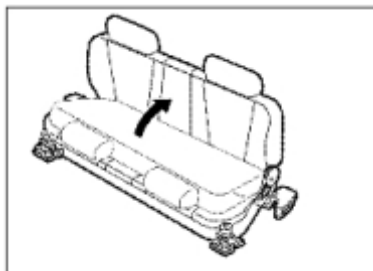
6. Attach the band (with hook) provided below the third seat to clasp on to the head rest of the second seat back.



Removing the third seat

To remove the seat assembly, rotate the wheel knob in anti clockwise direction and pull the seat out.

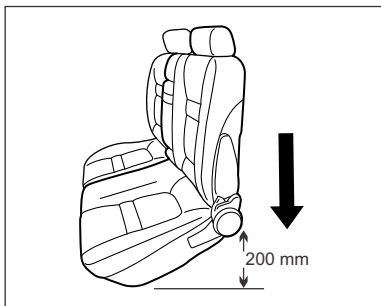
The seat can be put back and tighten with the wheel knob in clockwise direction.



Folding type third seat

Unfolding the third seat

1. Remove the clasp band from the headrest rod of the second seat back.
2. Lower the third seat, then raise the seat back.



3. Drop the seat assembly from height of about 200mm with backrest straight.
4. Confirm proper locking of the seat latch and push the latch lever inside.

CAUTION

Ensure that the latch area is clear of any objects.

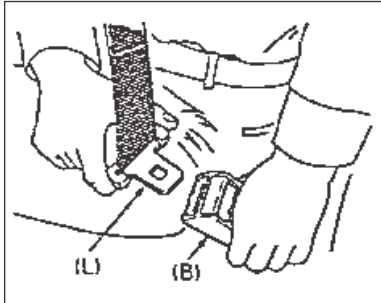


Front seat and rear seat lap/shoulder belts

The front seat is equipped with a 3-point seat belt which features one buckle for the lap and shoulder belt.

How to use the belt system properly in your vehicle is as follows:

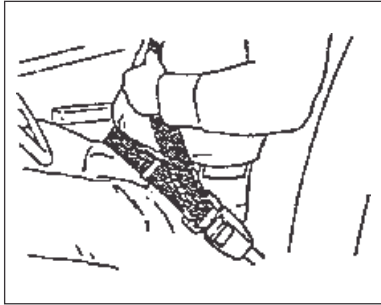
1. Adjust the front seat as needed and sit straight up and well back in the seat.
2. Take hold of the seat belt latch plate (L) and pull the lap/shoulder belt across the body, and slide the latch plate along the belt until it reaches the buckle (B). Push the latch plate into the buckle until it clicks.



WARNING

A low, and snug position is essential in order that force exerted by the lap belt in a collision will be spread over the strong hip bone structure and not across the abdominal area, which in an accident could result in serious injury.

(Continued)



(Continued)

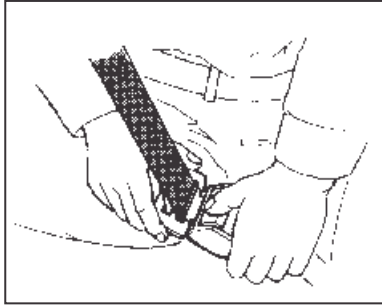
Position the lap portion of the belt across the lap by the hips as low as possible. Then adjust to a snug fit by holding the shoulder portion of the front seat belt and pulling it upward through the latch plate, until the lap portion is snug across the lap. This reduces the risk of sliding under the belt during an accident.



WARNING

To lessen the chance of injury in the event of an accident, never use the same belt for more than one person at a time and make sure to avoid twisting the belts. Avoid getting the belt pinched between the seat structural (metallic) members or in the door.

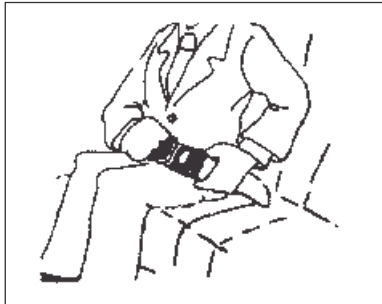
(Continued)



(Continued)

The shoulder portion of the front seat belt has an “Emergency locking retractor” which is designed to lock during a sudden stop or impact. At other times, it is designed to move freely with the seat occupant. To unfasten the belts, push in the center of the buckle.

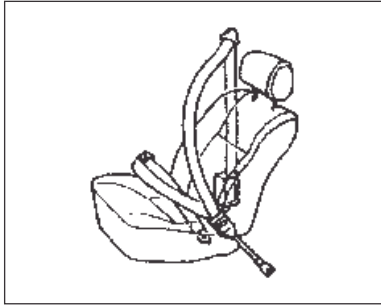
When not in use, seat belts can be stowed by letting them rewind in their retractors. If needed, move the keeper along the belt to let the belt retract fully. This will also put the latch plate within easy reach on the door pillar.



Lap belts

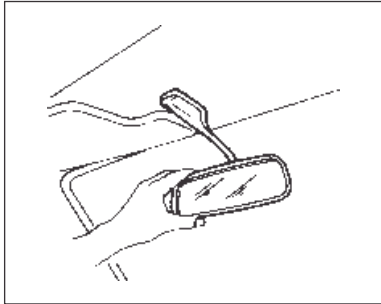
Bring the latch plate adjuster across your body and clip it into the buckle. When this is done correctly you will hear a “click”.

Adjust the belt length by pulling the belt end. Make sure the belts are fitted firmly across your waist.



Seat belt inspection and care

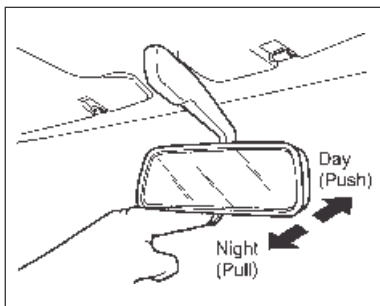
- Periodically inspect belts, buckles, latch plates, retractors, and anchors for damage that could lessen the effectiveness of the restraint system.
- Keep sharp edges and damaging objects away from belts.
- Replace belts if cut, weakened, frayed, or subjected to collision loads.
- Check that anchor mounting bolts are tightly fastened to the floor.
- Have questionable parts replaced.
- Keep seat belts clean and dry.
- Clean only with mild soap solution and lukewarm water.
- Do not bleach or dye belts since this may weaken belts.



Mirrors

Inside rearview mirror

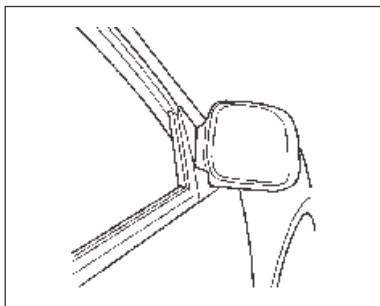
To adjust move the mirror right or left and up or down.



Inside rearview mirror: day and night

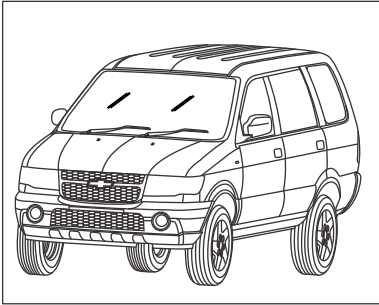
To adjust, move the mirror right or left and up or down.

Switch the mirror to the night operation position to reduce the glare from following headlights.



Outside rearview mirror

Adjust the outside rear view mirrors so that you can see the each side of your vehicle in the portion of the mirror closest to your vehicle. This helps you to determine your position relative to objects seen in the mirror.

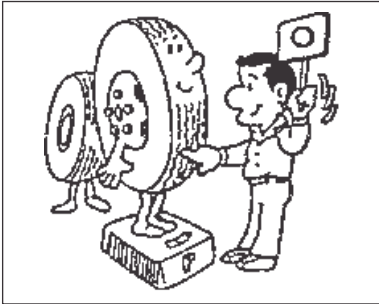


DRIVER'S CHECK LIST (REGULAR INSPECTION)

The following checks should be performed to maintain safe and dependable vehicle operation. If any abnormal condition of the vehicle is found, consult your nearest CHEVROLET retailer.

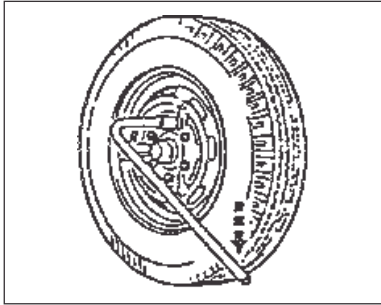
NOTE

Refer to "MAINTENANCE GUIDE" for proper check-up procedures.



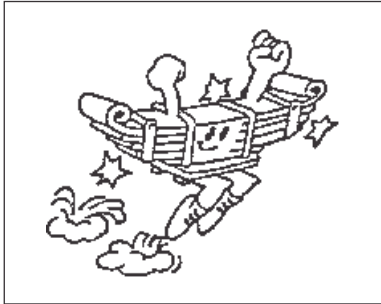
Exterior

1. Check tires for inflation pressure and damage.

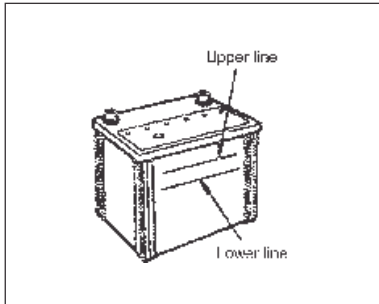


2. Check wheel nuts for looseness.

Wheel nut torque: 118N·m



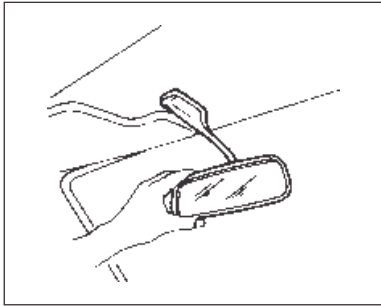
3. Check chassis springs for damage.



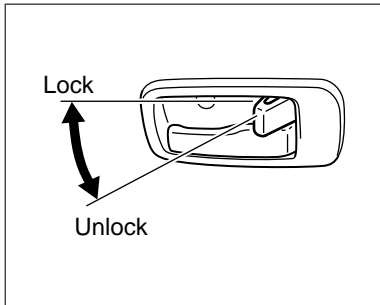
4. Check operation of lights.
5. Check level of electrolyte in each cell of the battery.
Not required in vehicles fitted with maintenance free batteries.



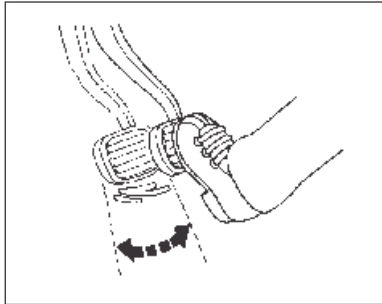
6. Check for any oil, water, fuel and brake fluid leakage.



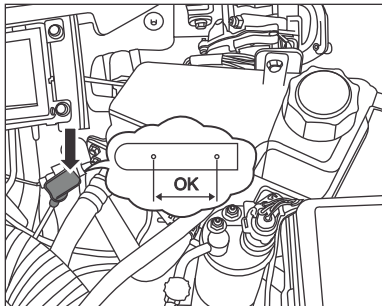
7. Check the setting angle of the rearview mirrors.



8. Check operation of the door locking mechanism.

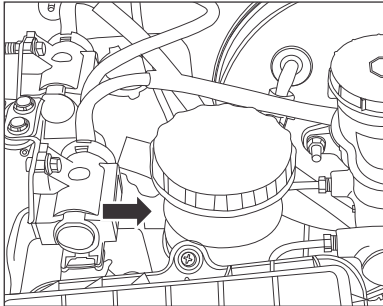


9. Check clutch pedal free play, height and function.

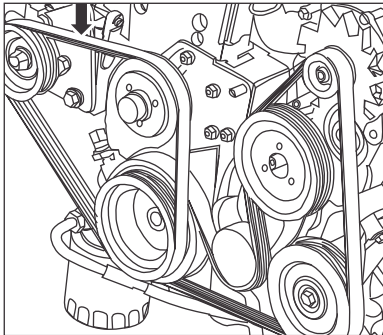


Within engine compartment

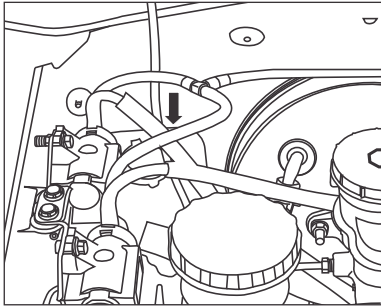
1. Check engine oil level.



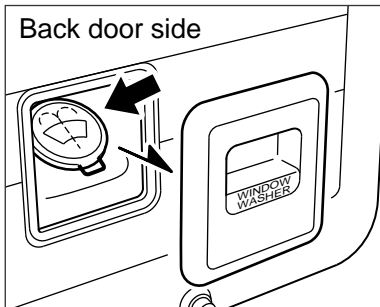
2. Check that the level of the power steering fluid is within “MAX” and “MIN” level. PS

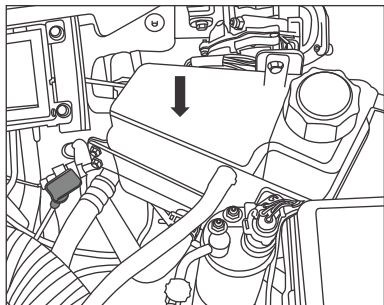


3. Check the tension of the power steering / fan drive belt.



4. Check that the level of the windshield washer solution in reservoir tank is within "MAX" and "MIN" level.

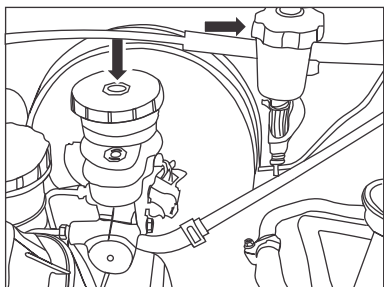




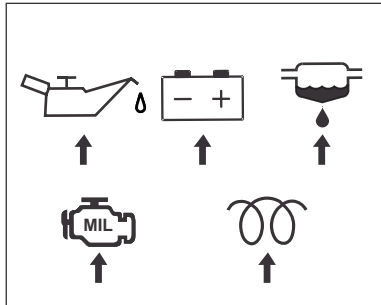
5. Check that the level of the engine coolant in reservoir tank is within "MAX" and "MIN" level.

WARNING

Coolant level check or replenishment should be made at the reservoir tank and the coolant pressure cap should not be removed unless necessary.

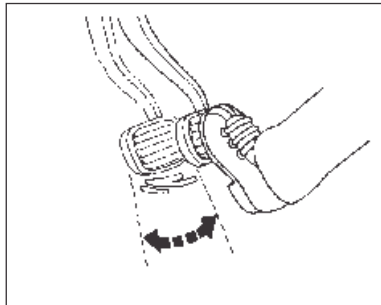


6. Check that the level of brake and clutch (MT) fluid in the reservoir is within "MAX" and "MIN" level.



After starting engine

1. With the engine running, check that oil pressure indicator light, generator indicator light, water separator indicator light, malfunction indicator light and glow plug indicator light go off and remain off.



2. Check brake pedal free play, height and function.



3. Check for abnormal engine noise and color of exhaust gases.

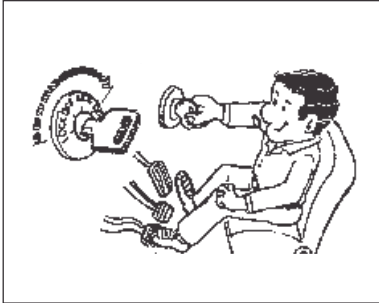
DRIVING

Proper care and operation will not only extend the life of your vehicle but also improve oil and fuel economy



PREPARATION FOR STARTING ENGINE

1. Set the parking brake firmly.
2. Place the transmission in neutral.



STARTING ENGINE

1. Turn the key to "ON." See if the oil pressure indicator light, generator indicator light, brake system indicator light, water separator indicator light and malfunction indicator light comes on.

CAUTION

Do not leave the key in the ACC or ON position for extended periods while the engine is not running . This will discharge the battery.

Do not turn the key to OFF or LOCK position while driving. Driver could lose control of vehicle and brake power assistance would be cancelled, causing vehicle damage, personal injury or possibly death.



2. Crank up the engine by turning the starter switch key fully clockwise. Release the key as soon as the engine starts. The key will return automatically to "ON."

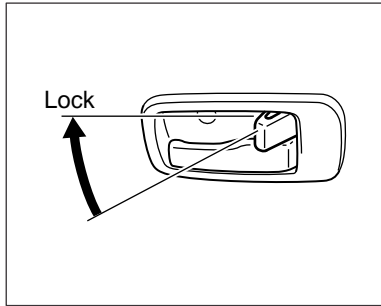
CAUTION

Do not keep the starter engaged for more than 30 seconds at a time. If the starter is operated repeatedly, but the engine does not start, check the fuel system and electrical system. During repeated cranking, it is absolutely necessary to have brief periods of recovery time (about 30 seconds) to conserve the battery.

3. After starting the engine, let it run for about 1 to 2 minutes with idle speed (avoid acceleration or driving off the vehicle) . This allows oil to circulate and lubricate the turbocharger. Then depress the accelerator pedal part way down.

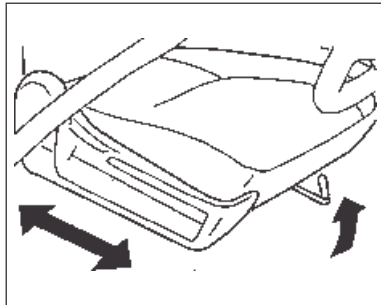
NOTE

At low ambient temperature or when the vehicle has not been used for a long period, normal engine oil pressure and flow is affected. Under these conditions the engine should be started and allowed to idle for a few minutes before operating at higher rpm.

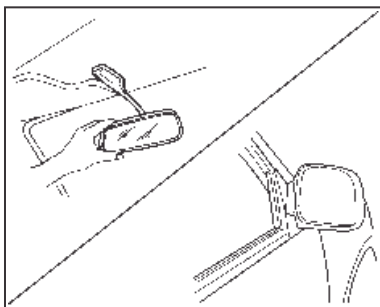


BEFORE DRIVING OFF

1. Lock the doors.



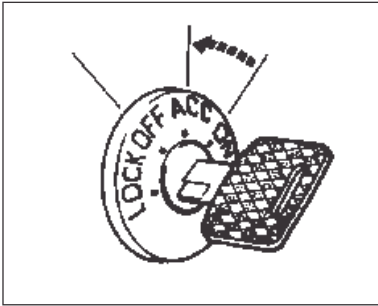
2. Adjust the seat position.



3. Adjust the inside and outside mirrors.



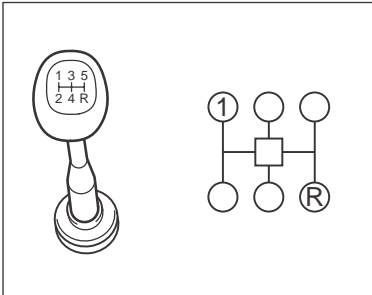
4. Fasten the seat belt.



STOPPING ENGINE

Turn the starter switch to the “ACC” or “OFF” position.

Your vehicle is powered by a turbo diesel engine. Before turning the engine OFF, allow the engine to run for about 1 to 2 minutes at idle speed.



PARKING

When leaving your vehicle unattended:

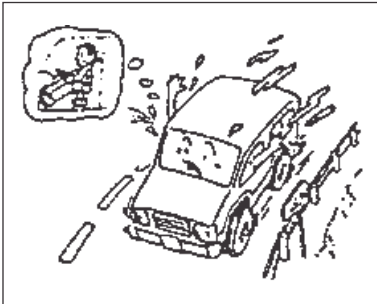
- Set the parking brake.
- When parking a vehicle equipped with a manual transmission on an upward slope, place the shift lever in the “1st” position.
- When parking a vehicle equipped with a manual transmission on a downward slope, place the shift lever in the “R” (Reverse) position.
- Turn the ignition switch to the “LOCK” position.
- Remove the key.
- Close all windows and lock all doors.
- Check to make certain lights are turned off.

WARNING

Do not park your vehicle over combustibile materials, such as dry grass or leaves. They could touch the hot exhaust system and ignite.

CAUTION

Do not leave your vehicle unattended with the engine running. If the engine might overheat, you would not be there to react to the temperature warning light or gauge. This could result in costly damage to your vehicle and its contents.

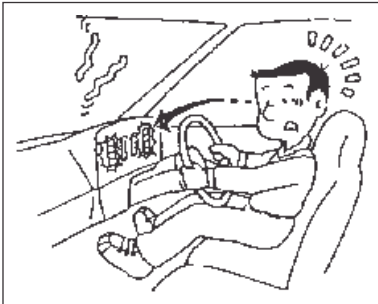


DRIVING PRECAUTIONS

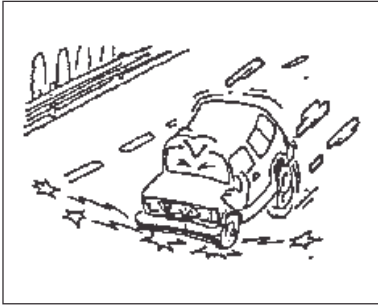
1. Avoid over-running the engine.
When descending a slope pay close attention to prevent engine over-running, particularly when down shifting, as the engine becomes liable to over-run.



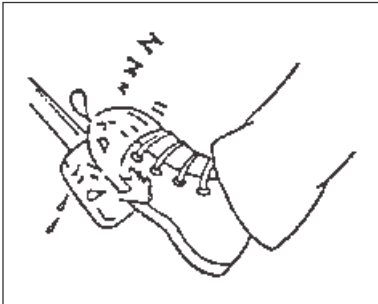
2. If abnormal noise or smell becomes noticeable while driving, stop the engine and check to locate the cause of trouble.



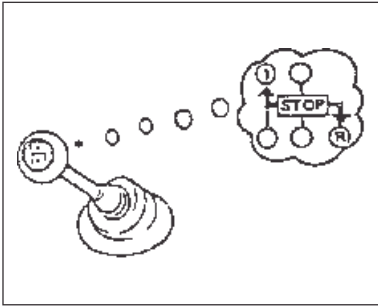
3. If the indicator lights or instruments give an indication of abnormal condition while driving, stop the engine and check to locate the cause of trouble.



4. Avoid needless hard acceleration and hard stops.

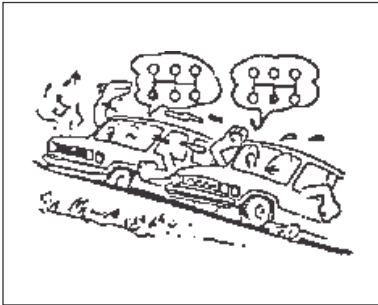


5. Do not drive with your foot resting on the clutch pedal as it produces a partly disengaged condition, causing premature wear of clutch facing.

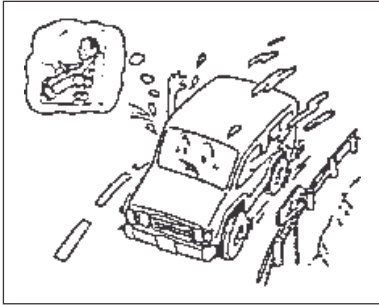


6. Allow the vehicle to stop completely before shifting to reverse or to first gear after reversing.

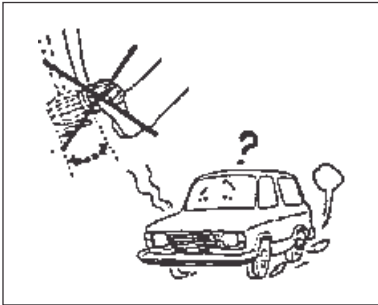
When starting the vehicle from rest, it is always advisable to use 1st gear not only on slopes but also paved roads.



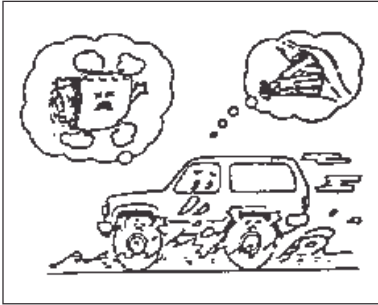
7. When climbing a slope, shift to a lower gear to relieve the engine from overload before engine begins to strain.



8. When descending a slope, shift to a lower gear to gain retardation effect of the engine.



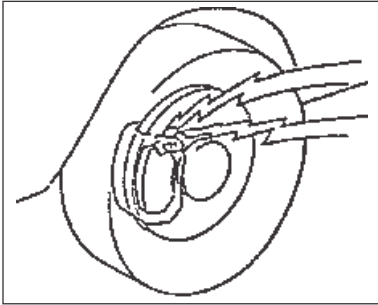
9. Repeated use of the foot brake on a long downgrade will cause the brakes to lose their effectiveness.



10. When driving across a shallow river or patch of water, extreme care must be exercised or water may enter the air duct causing serious engine damage. After driving across water, check gear oil in rear axle, and transmission case for presence of water. If any water is present, drain and refill with the specified oil.



11. Drive carefully after running in heavy rain or driving across a shallow river as wet brakes cause temporary reduction in brake force.



12. Front disk brake wear indicators

The brakes are provided with wear indicator device which produces a metallic frictional sound (squeal) while driving when the brake pads or linings have worn down near to the serviceable limit.

If such a sound is produced, have the brake pads or linings replaced at your CHEVROLET retailer.

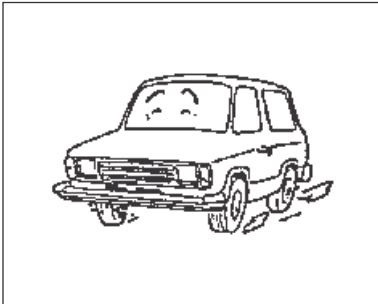


DRIVING FOR ECONOMY MT

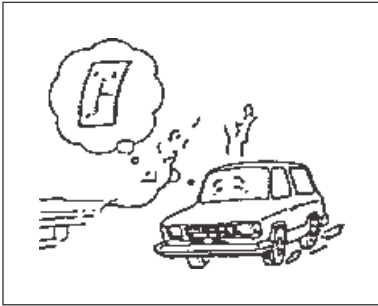
1. Needless high-speed driving and slow driving in high gears will result in excessive fuel consumption.



2. After accelerating, shift to a higher gear and engage the clutch smoothly.



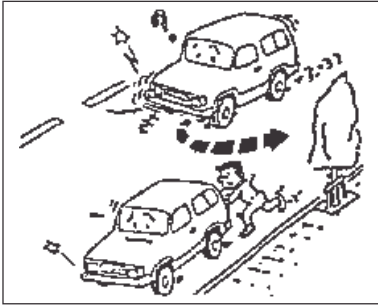
3. After shifting to top or overdrive, maintain your speed constant as possible.



4. Always drive with the coolant temperature within the normal range.



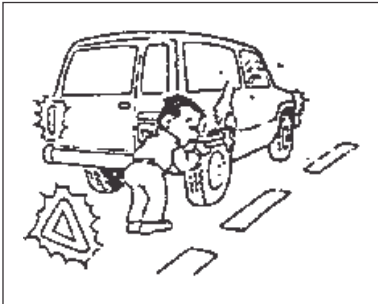
5. Under-inflated tires cause deterioration in fuel economy.



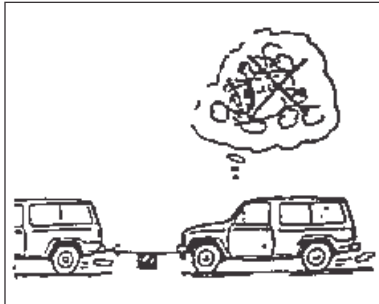
IN CASE OF EMERGENCY

Emergency stop

1. If you must stop your vehicle on the road for some reason, pull your vehicle over to the left side of the road as far as possible and try not to park in a driving lane.



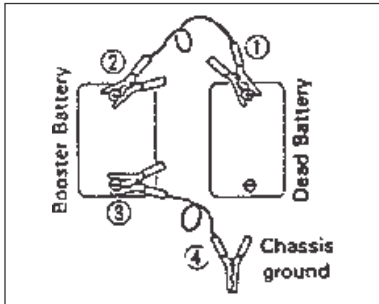
2. Make certain to apply the parking brake and use hazard warning lights, day or night.



Emergency starting

WARNING

Never tow the vehicle to start the engine because when the engine starts it could cause a collision with the towing vehicle.



WARNING

Exercise extreme care when handling the battery to avoid serious personal injury and damage to your vehicle which might result from battery explosion, acid burns, electrical burns, or damaged electric components.

Start the engine using the battery of the other vehicle through the booster cable, following the next steps:

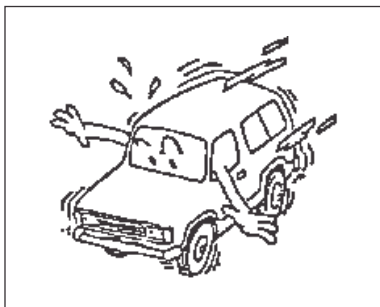
1. Make sure that the other vehicle uses the same voltage (12V).
2. Connect the booster cable as shown in the illustration.
3. Start the engine on the other vehicle.

-
4. Increase the idling speed of the engine on the other vehicle a little and start the engine on the damaged vehicle.
 5. If the engine starts, disconnect the cable following the above procedure in reverse.

CAUTION

Never connect the cable between the positive and negative terminals.

Do not remove the battery cables from the terminals while the engine is running. It may result in troubles in the electrical system.



Power brake system

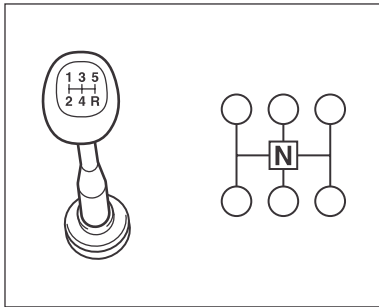
- * If the power assist is lost because of a stalled engine or other reasons, the brakes can normally still be applied with the power assist at least one time by using reserve vacuum.
- * The system is designed to bring the vehicle to a full stop on reserve vacuum if the brake pedal is applied once and held down. However, the reserve vacuum is partly used up each time the brake pedal is applied and released.

(Continued)

WARNING

Do not pump the brakes when the power assist has been lost, except when necessary to maintain steering control on slippery surfaces.

- * Without the power assist, the vehicle can still be stopped by pushing harder on the brake pedal. However, the stopping distance may be longer, even though the brakes themselves remain fully operational.

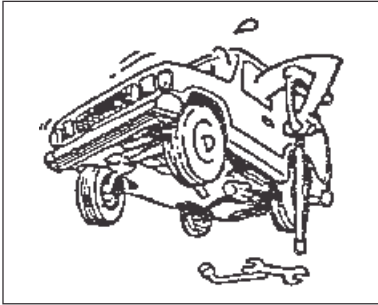


Towing

Proper equipment must be used to prevent damage to vehicles during any towing. When towing, the driveline, axle, transmission and steering system must be in operating condition. Use only towing equipment specifically designed for this purpose, following the instructions of the equipment manufacturer. A separate safety chain must be used. For towing the vehicle, the parking brake must be released, the transmission placed in neutral and the key turned to the “OFF” position. Attachment must be made to the front tow hook only.

CAUTION

Do not attach to bumpers or associated brackets. Remember that the power brake assist will not be available when the engine is inoperative.



Front wheels off the ground

1. Transmission in Neutral.
2. Maximum speed: 60km/h.
3. Maximum distance: 80km.

NOTE

For distances over 80km disconnect the rear propeller shaft at rear axle carrier and secure it in a safe position.

Rear wheels off the ground

1. Transmission in Neutral.
2. Maximum speed: 60 km/h.
3. Maximum distance: 80 km.

NOTE

- *When towing a vehicle in this position, the steering wheel should be secured to keep the front wheels in a straight ahead position.*
- *The starter key must be in the OFF position.*

All four wheels on ground

1. Transmission in Neutral.
2. Maximum speed: 60 km/h.
3. Maximum distance: 80 km.

NOTE

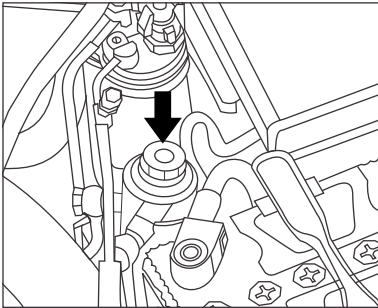
For distances or speeds greater than the above, disconnect the rear propeller shaft at rear axle carrier and secure it in a safe position.



Bleeding of fuel system

If the fuel tank is emptied, air might be allowed to go into the fuel system. With air in the fuel system, smooth flow of fuel into the engine is interrupted. To prevent this, bleed the fuel system.

1. Refill the fuel tank with diesel.
2. Switch ON the ignition 3 times for 30 seconds.
3. Operate the hand pump on the water separator if required to bleed the fuel system air into the injection pump.
4. Start the engine with starter switch, when the bleeding has been finished.
5. If the engine failed to start, seek the assistance from CHEVROLET retailer.



Draining of Water Separator

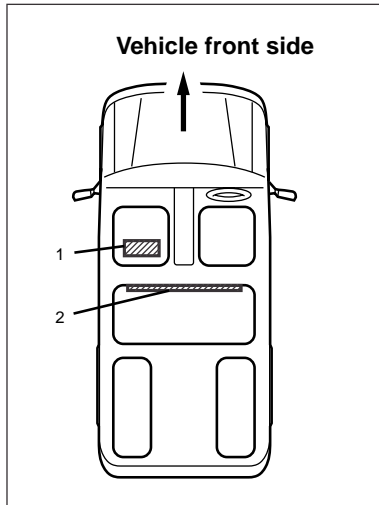
When the water separator indicator light in the instrument panel is continuously ON, take your vehicle to the CHEVROLET retailer for draining the water in the separator.

WARNING

Engine high pressure fuel system will get damaged severely, If water from the water separator is not drained on time.

CAUTION

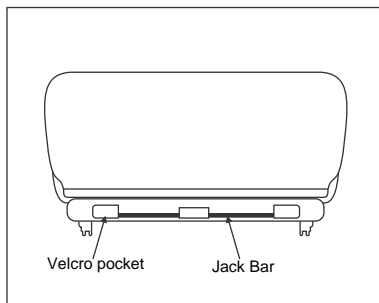
If water separator requires frequent draining, have the fuel tank drained at your CHEVROLET retailer.



Jacking instructions and changing a flat tire

The common tool and jack (1) are stored under the front passenger seat.

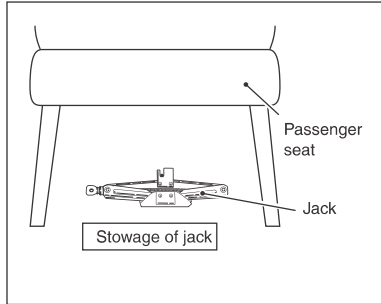
The jack bar (2) is stored under the 2nd row seat assembly on selected variants.



Jack Bar storage (on selected variants)

Insert the Jack Bar in velcro pocket given on left side of cushion of 3rd row front facing seat.

Fix the Jack Bar by remaining velcro pockets given on center and right side of cushion of 3rd row front facing seat.



SCISSOR TYPE JACK ASSEMBLY

Jack

Store the jack and common tool in toolkit bag and securely strap them under the front passenger seat.

CAUTION

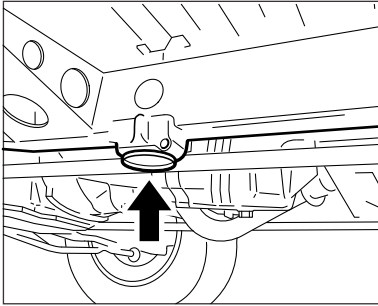
Do not store jack, spare tyre or other equipment other than specified location. In sudden stop or collision, loose equipment can be thrown around inside your vehicle and cause personal injuries.

Preparation

1. Park on a level surface and set the parking brake firmly.
2. Set the transmission to "REVERSE".
3. Turn the hazard indicator lights on.
4. Turn off the ignition.
5. Block the wheel diagonally opposite the jacking position.
6. Loosen but do not remove wheel nuts.

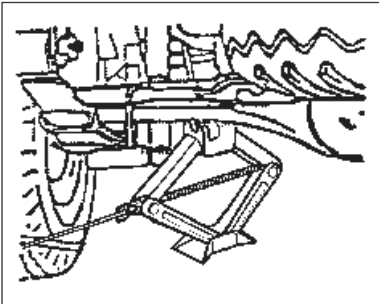
NOTE

The wheel nuts on the wheels have right-hand threads.

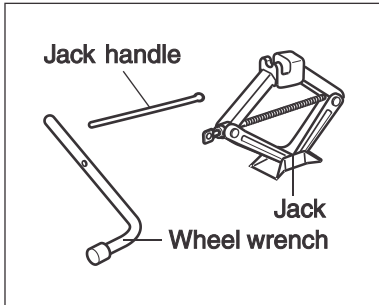


7. Place the jack at correct jacking point.

Front : Concave position on bottom surface of attachment bracket under the side frame.



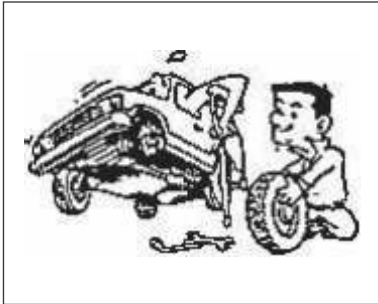
Rear: Under the Rear Axle Tube.



WARNING

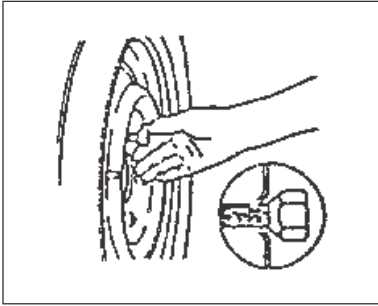
Do not jack up the vehicle on a slope or a soft ground. It is very dangerous. Do not jack up on any points other than specified jack points.

- Never use a jack designed for another vehicle to lift your vehicle, or use your jack to lift another vehicle.
- Never get beneath the vehicle when it is only supported by the jack.
- Do not start or run the engine while the vehicle is only supported by the jack.
- All passengers should be out of the vehicle when it is being jacked.
- Use only for lifting your vehicle when changing a wheel or binding / unbinding a tire with a chain.

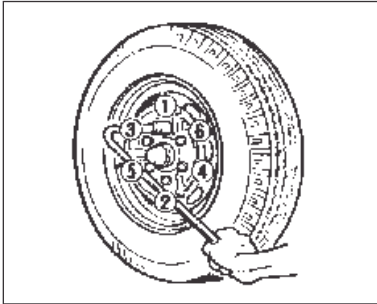


Wheel replacement

1. Jack up the wheel, remove the wheel nuts, then install the spare wheel.



2. Install and semi-tighten the wheel nuts and lower the wheel to the ground.



3. With the wheel wrench, tighten the wheel nuts in sequence as shown in the figure.

Wheel nut torque: 118N·m (12 kgf-m/87 ib-ft)

WARNING

Make sure to use proper nuts or bolts tightened to the proper torque. Using incorrect parts or improperly tightened wheel nuts or bolts can cause wheel to come off the vehicle.

SERVICE AND MAINTENANCE

In order to maintain safety and economical operation, it is suggested that periodic inspection and maintenance be performed regularly according to the recommendations outlined in this section.

MAINTENANCE SCHEDULE

To ensure driving safety and maximum economical operation, periodic inspection and maintenance should be performed at your CHEVROLET retailer according to the maintenance schedule.

For service operations which call for disassembly or specialized instruments, contact your CHEVROLET retailer.

Maintenance operations

- I : Inspect and correct or replace as necessary
- A : Adjust
- R : Replace or change
- T : Tighten to specified torque
- L : Lubricate

When performing checks on the following items, regular inspection items should also be checked.

* Marks: Under severe driving conditions, more frequent maintenance is required. Refer to "Maintenance schedule under severe driving conditions".

ADDITIONAL OPERATIONS

The time allowance for additional operations, such as wheel alignment, tyre balancing, hub bearing greasing are not included in the standard scope of service labour and are charged separately. It is nevertheless advisable to have such work done as a part of service check/inspection, since the time allowance are not high as would be if the work was carried out separately.

Maintenance schedule

I: Inspect and correct or replace as necessary

A: Adjust

R: Replace or change

T: Tighten to specified torque

L: Lubricate

SERVICE INTERVAL:	x 1,000 km																			
(Use odometer reading or months, whichever comes first)	5	10	15	20	25	30	35	40	45	50	55	60	65	70	75	80	85	90	95	100
*Engine oil	R		R		R		R		R		R		R		R		R		R	
*Engine oil filter	R		R		R		R		R		R		R		R		R		R	
Oil leakage and contamination	I	I	I	I	I	I	I	I	I	I	I	I	I	I	I	I	I	I	I	I
Power steering / Fan belt	I	I	I	I	I	I	I	I	I	I	I	I	I	I	I	I	I	I	I	I
Alternator / AC belt	I	I	I	I	I	I	I	I	I	I	I	I	I	I	I	I	I	I	I	I
Timing belt tension (Front & Rear)		I		I		I		I		I		I		I		I		I		I
Timing belt (Front & Rear)	Replace every 60,000 Kms or 2 years whichever is earlier																			
*Exhaust pipe and mountings	I	I	I	I	I	I	I	I	I	I	I	I	I	I	I	I	I	I	I	I
All hose and pipes in engine compartment for clog or damage		I		I		I		I		I		I		I		I		I		I
*Air cleaner element	Inspect every 5000 kms or 6 months whichever comes first or when **service indicator shows red band. Replace every 40000 kms or 2 years whichever comes first or when **service indicator shows red band even after cleaning the element.																			
Fuel filter		R		R		R		R		R		R		R		R		R		R
Fuel line and connections	I	I	I	I	I	I	I	I	I	I	I	I	I	I	I	I	I	I	I	I
Engine coolant	I	I	I	I	I	I	I	I	I	R		I		I		I		I		R
Cooling system for water leakage	I	I	I	I	I	I	I	I	I	I	I	I	I	I	I	I	I	I	I	I
CLUTCH																				
Clutch fluid	I	I	I	I	I	R	I	I	I	I	I	R	I	I	I	I	I	I	R	I
Clutch pedal travel and play	I	I	I	I	I	I	I	I	I	I	I	I	I	I	I	I	I	I	I	I

* Under severe conditions, additional maintenance is required.

**Service indicator working properly.

Refer to "Maintenance schedule under severe conditions"

Maintenance schedule

I: Inspect and correct or replace as necessary

A: Adjust

R: Replace or change

T: Tighten to specified torque

L: Lubricate

SERVICE INTERVAL:	x 1,000 km	5	10	15	20	25	30	35	40	45	50	55	60	65	70	75	80	85	90	95	100
(Use odometer reading or months, whichever comes first)		6	12	18	24	30	36	42	48	54	60	66	72	78	84	90	96	102	108	114	120
TRANSMISSION																					
*Manual transmission oil			R			I			R				I				R				I
Oil Leakage		I	I	I	I	I	I	I	I	I	I	I	I	I	I	I	I	I	I	I	I
Gear control mechanism for looseness					I				I				I				I				I
PROPELLER SHAFT																					
Loose connection			I		I		I		I		I		I		I		I		I		I
*Universal joints and splines for wear			I		I		I		I		I		I		I		I		I		I
*Universal joints and sliding sleeve			L	L	L	L	L	L	L	L	L	L	L	L	L	L	L	L	L	L	L
REAR AXLE																					
*Differential gear oil			R			I			R				I				R				I
Oil leakage		I	I	I	I	I	I	I	I	I	I	I	I	I	I	I	I	I	I	I	I
Axle case for distortion or damage		I	I	I	I	I	I	I	I	I	I	I	I	I	I	I	I	I	I	I	I

* Under severe conditions, additional maintenance is required
Refer to "Maintenance schedule under severe conditions"

Maintenance schedule

I: Inspect and correct or replace as necessary

A: Adjust

R: Replace or change

T: Tighten to specified torque

L: Lubricate

SERVICE INTERVAL:	x 1,000 km																			
(Use odometer reading or months, whichever comes first)	5	10	15	20	25	30	35	40	45	50	55	60	65	70	75	80	85	90	95	100
STEERING																				
Steering gear oil - Manual						R						R						R		
[PS] Power steering fluid	I	I	I	I	I	I	I	I	I	I	I	I	I	I	I	I	I	R	I	I
Oil leakage	I	I	I	I	I	I	I	I	I	I	I	I	I	I	I	I	I	I	I	I
*Steering system for looseness or damage		I		I		I		I		I		I		I		I		I		I
[PS] Power steering hose		I		I		I		I		I		I		I		I		I		I
Steering wheel play	I	I	I	I	I	I	I	I	I	I	I	I	I	I	I	I	I	I	I	I
Steering function	I	I	I	I	I	I	I	I	I	I	I	I	I	I	I	I	I	I	I	I
Joint ball for leakage or damage	I	I	I	I	I	I	I	I	I	I	I	I	I	I	I	I	I	I	I	I

* Under severe conditions, additional maintenance is required
 Refer to "Maintenance schedule under severe conditions"

Maintenance schedule

I: Inspect and correct or replace as necessary

A: Adjust

R: Replace or change

T: Tighten to specified torque

L: Lubricate

SERVICE INTERVAL: x 1,000 km	5	10	15	20	25	30	35	40	45	50	55	60	65	70	75	80	85	90	95	100
(Use odometer reading or months, whichever comes first)	6	12	18	24	30	36	42	48	54	60	66	72	78	84	90	96	102	108	114	120
SERVICE BRAKES																				
Brake fluid	I	I	I	I	I	R	I	I	I	I	I	R	I	I	I	I	I	R	I	I
Brake system for fluid leakage	I	I	I	I	I	I	I	I	I	I	I	I	I	I	I	I	I	I	I	I
Brake function	I	I	I	I	I	I	I	I	I	I	I	I	I	I	I	I	I	I	I	I
* Front disc brake pads and discs wear	I	I	I	I	I	I	I	I	I	I	I	I	I	I	I	I	I	I	I	I
* Rear brake lining and drum wear		I		I		I		I		I		I		I		I		I		I
Brake pedal travel and play	I	I	I	I	I	I	I	I	I	I	I	I	I	I	I	I	I	I	I	I
Pipes and hoses for loose connections or damage	I	I	I	I	I	I	I	I	I	I	I	I	I	I	I	I	I	I	I	I
PARKING BRAKE																				
Parking brake function	I	I	I	I	I	I	I	I	I	I	I	I	I	I	I	I	I	I	I	I
Parking brake lever travel	I	I	I	I	I	I	I	I	I	I	I	I	I	I	I	I	I	I	I	I
Cables for looseness or damage and guide for damage	I	I	I	I	I	I	I	I	I	I	I	I	I	I	I	I	I	I	I	I
Ratchet for wear or damage		I		I		I		I		I		I		I		I		I		I

* Under severe conditions, additional maintenance is required
 Refer to "Maintenance schedule under severe conditions"

Maintenance schedule

I: Inspect and correct or replace as necessary

A: Adjust

R: Replace or change

T: Tighten to specified torque

L: Lubricate

SERVICE INTERVAL:	x 1,000 km		5	10	15	20	25	30	35	40	45	50	55	60	65	70	75	80	85	90	95	100
(Use odometer reading or months, whichever comes first)	6	12	18	24	30	36	42	48	54	60	66	72	78	84	90	96	102	108	114	120	120	
SUSPENSION																						
Leaf spring for damage	I	I	I	I	I	I	I	I	I	I	I	I	I	I	I	I	I	I	I	I	I	I
Mount for looseness or damage	I	I	I	I	I	I	I	I	I	I	I	I	I	I	I	I	I	I	I	I	I	I
Shock Absorbers for oil leakage		I		I		I		I		I		I		I		I		I		I		I
Shock Absorbers mount for looseness		I		I		I		I		I		I		I		I		I		I		I
Rubber bushes of suspension for wear or damage	I	I	I	I	I	I	I	I	I	I	I	I	I	I	I	I	I	I	I	I	I	I
Joint ball rubber boot for damage	I	I	I	I	I	I	I	I	I	I	I	I	I	I	I	I	I	I	I	I	I	I
WHEELS																						
Wheels nuts	T	T		T		T		T		T		T		T		T		T		T		T
Wheels disc for damage	I	I		I		I		I		I		I		I		I		I		I		I
Hub bearing grease						R								R						R		
Front and rear hub bearings for looseness		I		I		I		I		I		I		I		I		I		I		I
Spare wheel hanger	I	I	I	I	I	I	I	I	I	I	I	I	I	I	I	I	I	I	I	I	I	I
Tyre pressure and damage	I	I	I	I	I	I	I	I	I	I	I	I	I	I	I	I	I	I	I	I	I	I
Tyre Rotation	I	I	I	I	I	I	I	I	I	I	I	I	I	I	I	I	I	I	I	I	I	I
OTHERS																						
Bolts and nuts chassis and body	I	I	I	I	I	I	I	I	I	I	I	I	I	I	I	I	I	I	I	I	I	I
Safety belts, buckles & anchorages	I	I	I	I	I	I	I	I	I	I	I	I	I	I	I	I	I	I	I	I	I	I
Lubricate locks, hinges, hood latch & fuel flap release	I	I	I	I	I	I	I	I	I	I	I	I	I	I	I	I	I	I	I	I	I	I

* Under severe conditions, additional maintenance is required Refer to "Maintenance schedule under severe conditions"

Maintenance schedule under severe driving conditions

Severe driving conditions

A: Repeated short trips

B: Driving on rough roads

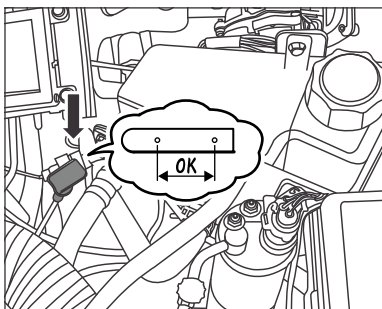
C: Driving on dusty roads

D: Driving in extremely cold weather and/or on salted roads

D : Diesel engine

MT : Manual transmission

Item	Interval	Condition				
		A	B	C	D	A+D
Engine oil	Change every 5,000 km			●		●
Engine oil filter	Replace every 5,000 km			●		●
Exhaust pipes and mounting	Inspect every 5,000 km	●	●		●	
Air cleaner element	Inspect every 3000 kms or 6 months whichever comes first or when **service indicator shows red band. Replace every 20000 kms or when **service indicator shows red band even after cleaning the element.			●		
Steering system for looseness or damage	Inspect every 5,000 km		●			
Universal joints and sleeves	Inspect for wear and lubricate every 5,000 km		●	●		
Transmission oil	Change every 20,000 km after changing at initial 10,000 km		●			
Differential oil	Change every 20,000 km after changing at initial 10,000 km		●			
Front brake pads and discs	Inspect every 5,000 km	●	●	●		
Rear brake lining and drum wear	Inspect every 5,000 km	●	●	●		



MAINTENANCE GUIDE

REGULAR INSPECTION

Engine oil level

Pull out the level gauge rod (oil dipstick).

Wipe clean it and reinsert.

Again pull it out and check that oil level is within high and low level marks. Also check the oil on the gauge rod for contamination.

NOTE

Engine oil level should be checked with the vehicle parked on level ground (before the operation of engine).

If the engine is running, stop the engine and allow 15 minutes for the oil to settle down before checking the oil level.

CAUTION

Do not overfill engine oil on turbo charged engine. Keep engine oil level between Max. and Minimum. Excessive overfill causes serious damage on the engine. Do not dispose off used engine oil and filter with your household waste. Use your local, authorized waste management facility. Used engine oil and filter contain harmful elements that may be unhealthy to you and threat to the environment.

Engine Exhaust

Engine exhaust gases contain carbon monoxide (CO) which is colourless and odourless. Prolonged exposure to CO can lead to unconsciousness and death. Whenever you suspect that exhaust gases are entering the vehicle, immediately take your vehicle to your CHEVROLET retailer.

WARNING

To protect against CO entering the vehicle, inspect the exhaust system and body according to the following recommendations :

- *At each oil change.*
- *Whenever you notice a change in sound of exhaust system.*
- *If exhaust system, underbody or rear of vehicle is damaged or becomes corroded.*
- *Do not run the engine in confined or closed areas, such as garages. Move vehicle to an open area.*

Catalytic Converter

The catalytic converter reduces the amount of harmful substances in the exhaust gas.

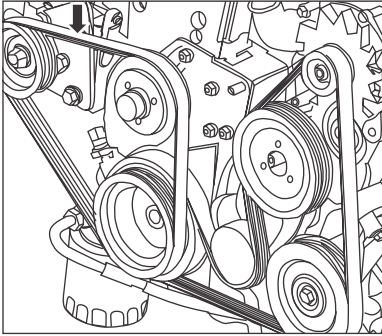
The catalytic converter requires the use of ultra low sulfur diesel only. Usage of high sulfur diesel will damage the converter. Under Normal operating conditions, the converter will not require maintenance. However, it is important to keep the engine properly tuned to ensure proper operation and prevent possible converter damage.

In the event of misfiring, uneven engine running, a reduction in engine performance or other unusual problem, have the cause of the fault rectified by a CHEVROLET retailer as soon as possible. In an emergency, driving can be continued for a short period, keeping vehicle speed and engine speed low.

CAUTION

Damage to the converter can result if your vehicle is not kept in proper operating condition. In the event of engine malfunction, particularly involving engine misfire or loss of performance, have your vehicle serviced promptly. Continued operation of your vehicle with a severe malfunction could cause the converter to overheat, resulting in possible damage to the converter and vehicle.

Unburnt fuel will overheat and damage the catalytic converter. Therefore avoid excessive use of starter, running the fuel tank dry and starting the engine by pushing or towing.



Power steering / Fan drive belt

Check that the tension of Power steering / Fan drive belt is in the below specified range when measured at the middle part of the belt.

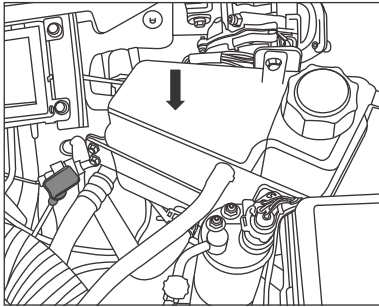
Power steering / Fan belt : 110Hz - 144Hz.

Non Power steering / Fan belt : 140Hz - 198Hz.

Also check the belt for cracks and damage.

CAUTION

Do not leave the key in the ignition while checking the drive belts. Moving parts of an operating engine can cause serious injuries.



Coolant level

WARNING

When the coolant is heated to a high temperature, be sure not to loosen or remove the coolant pressure cap. Otherwise you might get scalded by hot vapor or boiling water. To open the coolant pressure cap, put a piece of thick cloth on the cap and loosen the cap slowly to reduce the pressure or when the coolant has become cooler.

Check the level of the coolant and replenish the coolant reservoir tank as necessary. If the level of coolant in the coolant reservoir tank is found to be lower than the “MIN” line, check the cooling system for leaks, then replenish to bring the level up to the “MAX” line.

CAUTION

Do not overfill the coolant reservoir tank. The coolant pressure cap should not be removed unless necessary. The coolant level should be checked when the engine is cold. Supplement inhibitors or additives claiming to provide increase in cooling capability that have not been specifically approved by GMI are not recommended for addition to the cooling system. Coolant can be hazardous material. Avoid repeated or prolonged contact with coolant. Clean your skin and nails with soap and water after coming in contact with coolant. Keep out of reach of children. Coolant can irritate the skin and can cause illness or death if swallowed.

NOTE

- *Water draining from the air conditioning is normal when it is in use.*



Steering wheel

Check the steering parts for excessive play and looseness. The standard steering wheel play is about 10 to 30 mm. (0.4 to 1.2 in). Also check the steering for abnormal conditions such as shimmy, pull to one side, hard-steering, etc.

NOTE

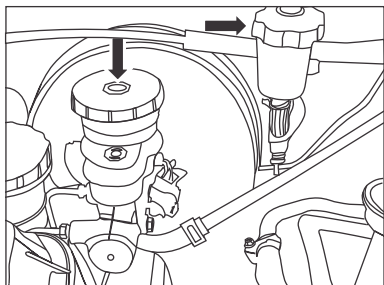
If the steering parts have excess play or looseness or if any abnormal condition is noted, have your CHEVROLET retailer check the steering system immediately.



Parking brake lever travel

Dash panel parking brake lever travel must be 8 to 12 notches (When pulled with a force of 30 kg.)

For floor mounted parking brake, lever travel must be 7~10 notches, with a force of approximately 20 kgf.



Brake and clutch (MT) fluid level

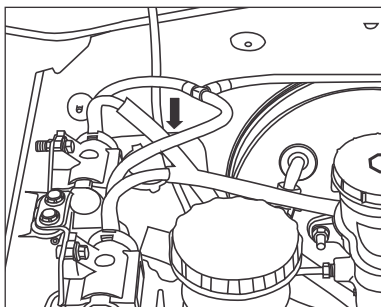
Check that the brake and clutch fluid reservoir is filled up to the level mark. If the level is too low, replenish with the recommended hydraulic brake fluid.

WARNING

If the brake indicator light comes on while driving, the fluid reservoir should be filled to the level mark with the recommended hydraulic brake fluid.

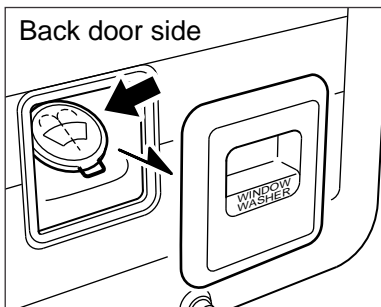
CAUTION

*Do not dispose off used brake/clutch fluid with your household waste.
Use your local, authorized waste management facility.
Used brake/clutch fluid and their containers are hazardous.
They can damage your health and the environment.*



Windshield washer solution level

Check that the washer tank is filled sufficiently with solution. Also check the operating condition of the windshield washer.



CAUTION

Insert the lever portion of the cover first while re-fitting to prevent any damage to the same.

Vehicle Storage

Storage for a long period of time. If the vehicle is to be stored for several months:

- Wash and wax the vehicle.
- Have the wax in the engine compartment and underbody checked.
- Clean and preserve rubber seals.
- Change engine oil.
- Drain washer fluid reservoir.
- Check coolant anti-freeze and corrosion protection.
- Adjust tyre pressure to the value specified for full load.
- Park vehicle in dry, well ventilated place. Engage first or reverse gear. Prevent the vehicle from rolling.
- Do not apply parking brake.
- Open bonnet, close all doors and lock the vehicle.
- Disconnect the clamp from the negative terminal of the vehicle battery.

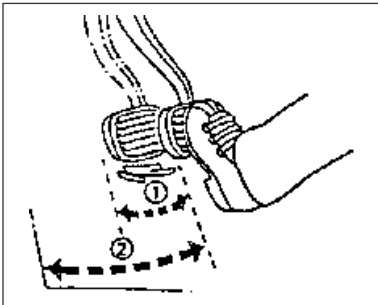
Putting back into operation

- When the Vehicle is to be put back into operation:
- Connect the clamp to the negative terminal of the vehicle battery.
- Check tyre pressure.
- Fill up the washer fluid reservoir.
- Check the engine oil level.
- Check the coolant level.

CAUTION

Do not wash the engine compartment with high pressure water as it could damage the electrical connectors by water entry.

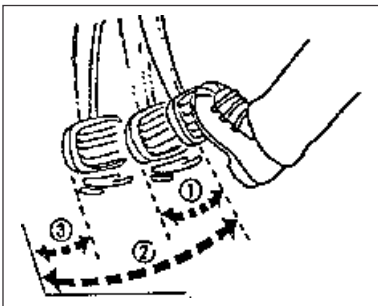
Never wash the engine while it is running, as water in the running engine may cause internal damage.



Clutch pedal free play and height

Standard value : mm

- (1) Free play : 5-15
- (2) Height : 168-178
- (3) Clutch diameter : D260

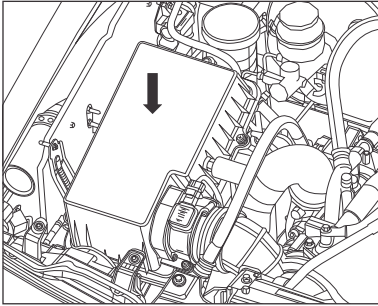


Brake pedal free play, height and allowance

Standard value : mm

- (1) Free play : 6-10
- (2) Height : 164-174
- (3) Allowance : More than 55

(When depressed with a force of the 50 kg)



PERIODIC MAINTENANCE

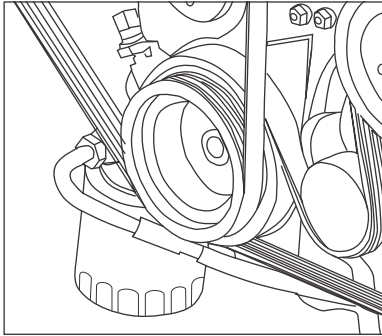
Air cleaner

Use of fouled air cleaner element not only cause a deterioration in the engine output but also give a raise in fuel consumption and dark exhaust smoke.

CAUTION

The cover should be reinstalled after aligning the setting marks to prevent dust from entering. It is strongly advisable to use the GMI genuine air cleaner element at the time of replacement.

The engine air cleaner should be installed at all times unless temporary removal is necessary during repair or maintenance of the vehicle, because in the absence of the air cleaner, backfiring could cause fire in the engine compartment.



Engine Oil Filter

Loosen the oil filter by turning it counterclockwise with a filter wrench.

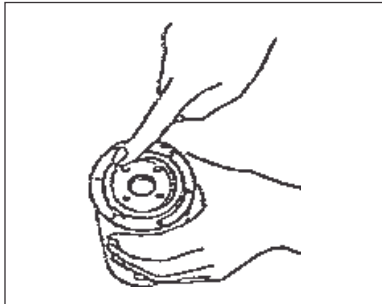
With a rag, wipe the fitting face of the oil pump clean so that the new oil filter can be seated properly.

Lightly oil the O-ring and turn the oil filter until the sealing face is fitted against the O-ring. Turn one full turn further with the filter wrench.

CAUTION

Check level of oil in the engine and replenish to specified level as necessary. Start the engine and check for leaks in the oil filter. It is strongly advisable to use the GM1 genuine oil filter assembly for replacement.

The manufacturer strongly recommends against the addition of any additives (Other than leak detection dyes) to the engine oil.

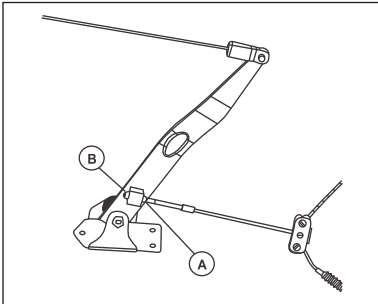




Parking and service brake

All brakes are self-adjusting.

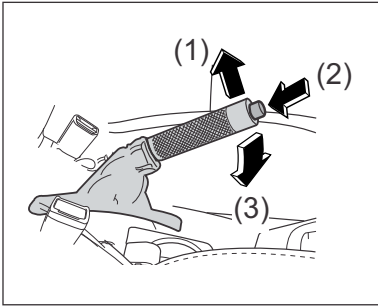
Brakes are adjusted by repeated stepping on the brake pedal.



The dash panel parking brake adjustment should be performed as follows:

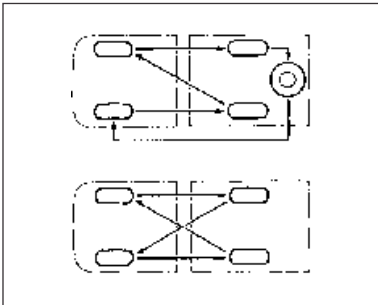
- (1) Release the parking brake lever fully.
- (2) Loosen the lock nut (A).
- (3) Repeat stepping the brake pedal firmly, and releasing it until the rear brake auto-adjuster completes the function.
- (4) Rotate the adjust nut (B) until all slack disappears from the cable.
- (5) Set the lock nut.

The parking brake lever travel is normal when the lever comes out 8 to 12 notches when pulled with a force of 30 kg (66 lbs).



To check the floor mounted parking brake stroke, do the following:

1. Turn engine off.
2. Apply parking brake, counting notch clicks you hear. If the number of clicks differs from the specification (7 ~ 10 notches), have your CHEVROLET retailer adjust the parking brake.

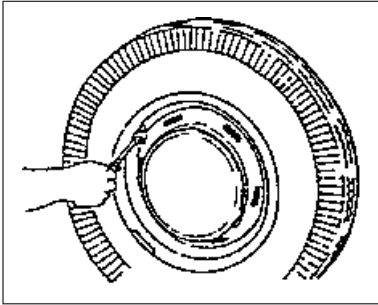


Tire rotation

When the front and rear tires are the same size, rotate the wheels as shown in the figure.

CAUTION

After rotation, adjust the front and rear tire pressure and be sure to check wheel nut tightness.



Tire inflation pressure

Standard inflation pressure for tires are listed below.

NOTE

Check tire pressure when the tires are cold (after the vehicle has been inoperative for more than 3 hours or driven less than 1.6 km).

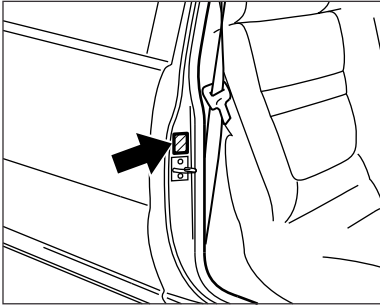
Tire	Tire Pressure-kg/cm ² (PSI)	
	Front	Rear
205/65R15 99S	2.2 (32)	2.4 (35)
205/65R15 99S [PS]	1.8 (26)	2.4 (35)

CAUTION

Always dispose off worn tires according to local environment regulations.

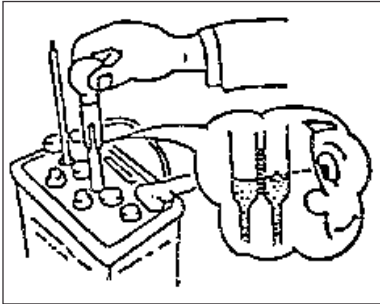
Use of tyres of a size other than originally fitted to your vehicle may cause interference between tyres and vehicle components and may result in tyre and vehicle damage.

Do not drive with worn or damaged tyres. Such tyres can cause you to loose control of the vehicle and a collision resulting in injuries and damage to your vehicle and other property.



Tire pressure label

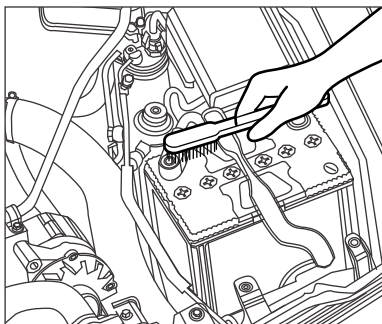
The tire pressure label is located on the frame of driver's side.



Specific gravity of battery electrolyte

If your new vehicle has a maintenance-free battery, you will never have to add water, instead install a new battery.

Do not try to jumpstart the vehicle or charge it or test the battery if the fluid level is below the lower level line on side of the battery.



Cleaning of battery

If the external part of the battery is fouled, clean with tepid water. Apply a thin coat of vaseline or grease onto the battery terminals to prevent corrosion.

WARNING

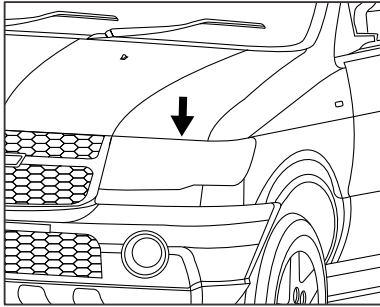
When reconnecting the cable to the battery be careful to ensure the clamps are fully seated, then tighten the retaining bolts so that clamps will not vibrate loose. Be sure to attach the red cable to the positive (+) battery terminal and the black cable to the negative (-) battery terminal.

NOTE

Be sure to keep in mind that the positive terminal (+) is first when connecting and the negative terminal (-) is first when dis-connecting.

CAUTION

Batteries contain toxic material. Used batteries can be hazardous to health and environment. Do not dispose off battery with household waste. Use locally authorized automotive waste disposal facilities only.



Headlights

Proper aiming of the headlights is most important in ensuring sufficient illumination on the highway without blinding other motorists. When light aiming is necessary it is advisable to contact an authorized retailer who has special equipment for this purpose.

NOTE

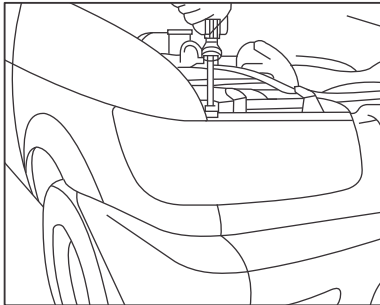
When replacing a bulb, make sure the light switch is "OFF". Use only bulbs with the same wattage rating.

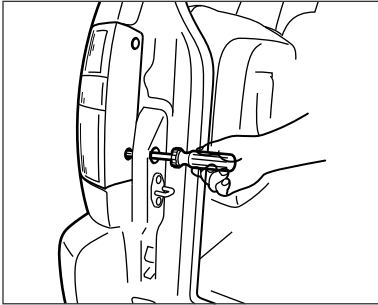
CAUTION

Clean your halogen bulbs with alcohol or mineral spirits and a lint free cloth. Be sure not to touch them with bare hands. Finger prints may drastically shorten the effective life of halogen bulbs.

Front combination light

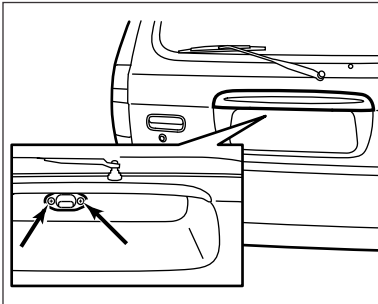
Unscrew the top screw securing the lens.





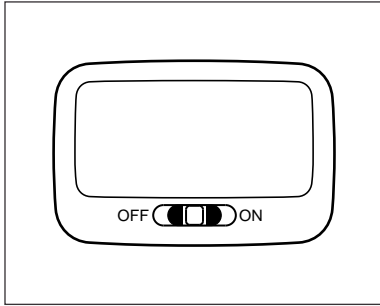
Rear combination light

Unscrew each of the two screws securing the lens



License plate light

Unscrew the two screws securing the lens.



Dome light

The lens can be removed easily by hand then remove the bulb from the socket by pulling it.

Replacing light bulbs

When replacing a bulb, make sure the light switch is "OFF".

Use only bulbs with the same wattage rating. The standard bulb wattage ratings are given below.

WARNING

Wear eye protection when working with bulbs. Protect the bulb from abrasions and scratches.

When the bulb is illuminated and is not in a sealed installation, protect the bulb from contact with liquids.

Only illuminate the bulb when it is installed in a lamp.

Replace a cracked or damaged headlamp.

Keep the bulbs away from children.

Dispose of used bulbs with care, otherwise the bulbs can explode.

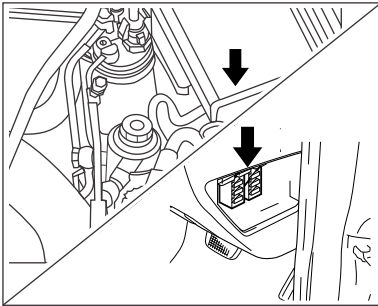
BULB SPECIFICATION

Bulb		Wattage x Quantity	Remark	
Front	1	Headlamp (High/Low)	60/55W x 2	Halogen
	2	Parking Lamp	5W x 2	
	3	Turn Signal Lamp	21W x 2	
	4	Turn Signal Lamp (LT)	21W x 2	Amber
	5	Fog Lamp (LT)	27W x 2	Halogen
	6	Side Turn Signal Lamp	5W x 2	Amber
Rear	7	Turn Signal Lamp	21W x 2	Amber
	8	Brake/Taillamp	21/5W x 2	
	9	Backup Lamp	21W x 2	
	10	High Mounted Stop Lamp	5W x 5	
	11	License Plate Lamp	5W x 2	
Dome	12	Dome Lamp	10W x 2	

- Bulb specification in some models can be different from the above table. See the wattage printed on the bulb before replacing burnt bulbs.

WARNING

*The same rating of the bulb to be used during replacement and any usage of higher wattage bulbs can cause thermal issues such as melting of lamp housing and its surrounding parts.
Warranty would be void if higher wattage bulbs are being used.*

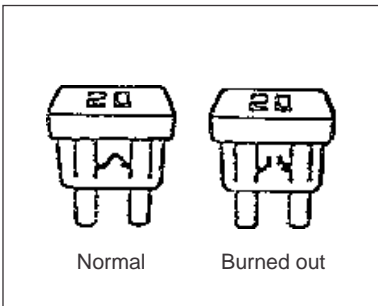


Fuse junction block

The fuse junction blocks are installed under the instrument panel on the drivers side and in the engine compartment.

The cover can be removed easily by hand. A list of the main fuse circuits and their amperage is attached to the junction block cover.

The spare fuses (10, 15, and 20A) and removal tool (white) is installed on the backside of fuse junction block cover, which is in engine compartment.



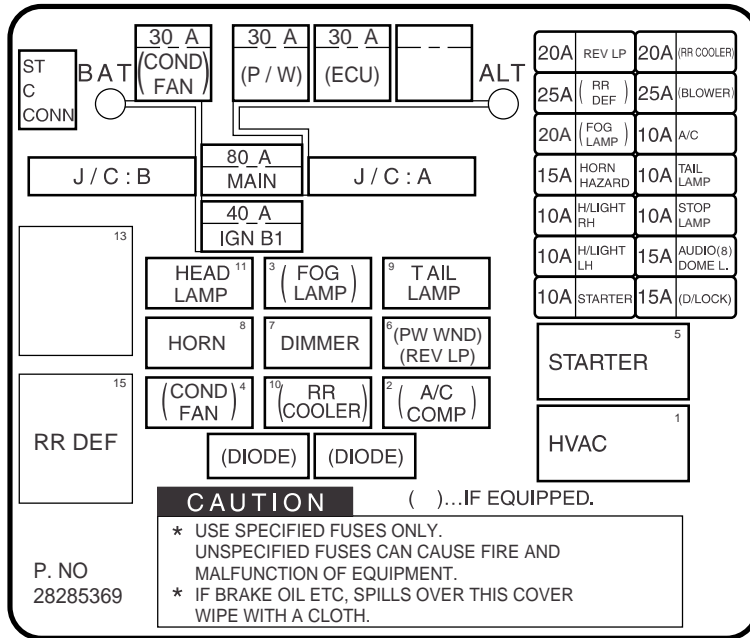
The drawing at the left illustrates a burned out fuse.

Use a spare fuse of the same amperage for replacement.

NOTE

- * When replacing a fuse, it is important to use a spare fuse of the amperage shown on the fuse junction block cover.
- * If the spare fuse also burns out, have the circuit checked at your nearest CHEVROLET retailer.

Fuse Box: Engine Room D



Fuse Box : Instrument Panel D

Fuse No.	Capacity	Function
C-2	15A	RR. Defog, I/P Cluster, FT. Wiper Washer
C-3	20A	FT. WIPER
C-4	10A	RR. WIPER
C-5	15A	TURN, BACK
C-6	15A	AUDIO (ACC), CIGAR

Auxiliary Fuse Box

FUEL PUMP RELAY 12V/30A	A/C CONT. RELAY 12V/30A	FN1-15A EGR, TURBO
		FN2-15A PCV, VCV
GLOW PLUG RELAY 12V/70A	ECU RELAY 12V/40A	FN3-15A ECU
		FN4-5A ENG-DIAG
		FN5-5A ECU
		FN6-15A FUEL PUMP

RECOMMENDED LUBRICANTS AND DIESEL FUELS

In order to obtain maximum performance and longest service life from your CHEVROLET vehicle, it is very important to use lubricants and diesel fuels selected and listed in the chart. The lubrication intervals in the maintenance schedule and application of the New Vehicle Warranty are based on the use of recommended lubricants as given in the chart, which will serve as a guide for selecting lubricants of proper grade.

LUBRICANTS

LUBRICANTS	TYPE OF LUBRICANTS
Diesel engine crankcase	GMI Genuine API 15W40 C14
Manual transmission case	GMI Genuine 15W30
Power steering circuit	GMI Genuine Dexron III
Steering gear box	GMI Genuine 80W90 GL-5
Differential gear	GMI Genuine 80W90 GL-5
Hydraulic brake and clutch system	GMI Genuine Dot 3
Wheel bearing	L2 grease
Grease fitting	MP grease
Engine cooling system	GMI Genuine LLC

DIESEL FUELS

Diesel engine must be operated only on commercially available diesel fuel meeting specifications of Cetane no. 48 & above.

Only use diesel fuel that complies with DIN EN 590. The fuel must have low sulphur content (max. 50 ppm). Equivalent standardised fuels with a biodiesel (= FAME according to EN 14214) content of max. 7% by volume (like DIN 51628 or equivalent standards) may be used.

Do not use marine diesel oils, heating oils or entirely or partially plant-based diesel fuels, such as rape seed oil or bio diesel, Aquazole and similar diesel-water emulsions.

The flow and filterability of diesel fuel are temperature-dependent. When temperatures are low, refuel with diesel fuel with guaranteed winter properties.

CAUTION

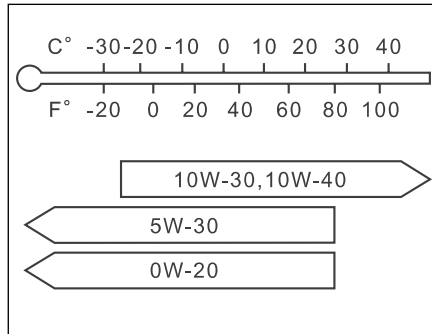
If you use inappropriate grade fuel or put incorrect fuel additives into the fuel tank, the engine and catalytic converter may seriously be damaged.

Do not let any gasoline or water enter the tank. This would make it necessary to drain it out and to bleed the lines to avoid jamming of injection pump & damage to engine.

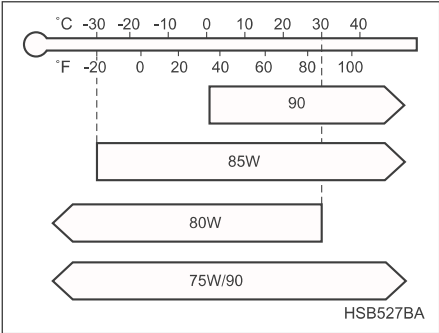
LUBRICATION

Lubricants should be carefully selected according to the lubrication chart. It is also important to select viscosity of lubricants according to the ambient temperature by referring to the following table.

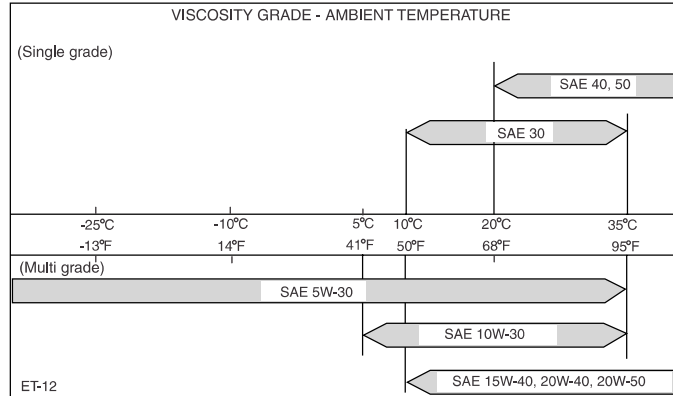
OIL VISCOSITY CHART FOR DIESEL ENGINE

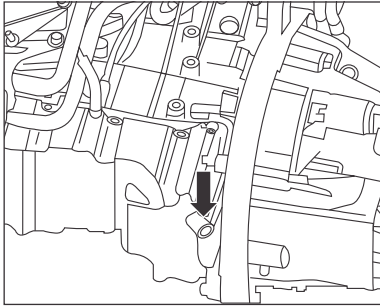


OIL VISCOSITY CHART FOR REAR AXLE



OIL VISCOSITY CHART FOR TRANSMISSION CASE

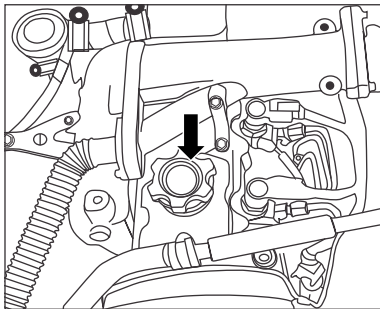




LUBRICATION GUIDE

Changing engine oil

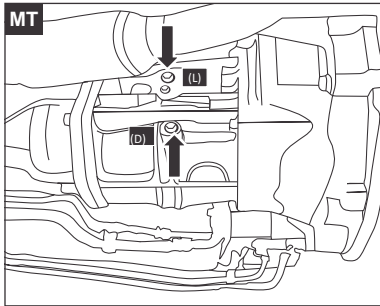
Drain the engine crankcase completely by removing the drain plug on the lower part of the oil pan while the engine is hot and then install the drain plug.



Next fill the engine crankcase from the filler port with new engine oil of the specified grade.

NOTE

When the engine crankcase is filled to the high level mark on the oil dipstick, start and let the engine idle for a few minutes, then stop the engine and recheck the oil level and replenish, if necessary.

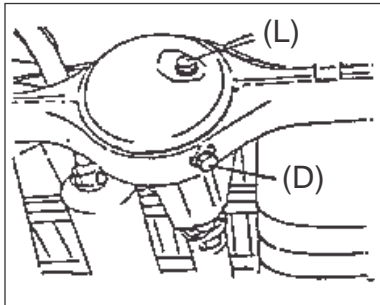


Changing transmission oil

Drain the transmission case by removing the drain plug (D) on the lower face of the transmission case. Fill the transmission case to the level with the specified oil through the level plug hole (L).

CAUTION

*Make sure the transmission is cool before you attempt this procedure.
Do not overfill the manual transmission fluid.*

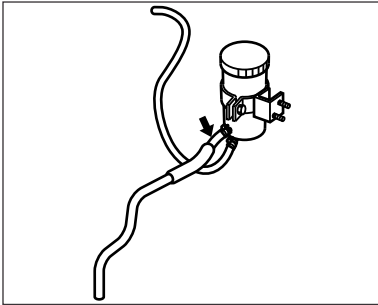


Changing differential oil

Drain the rear axle case by removing the drain plug (D). Fill the rear axle case to the level with the specified gear oil through the level plug hole (L).

CAUTION

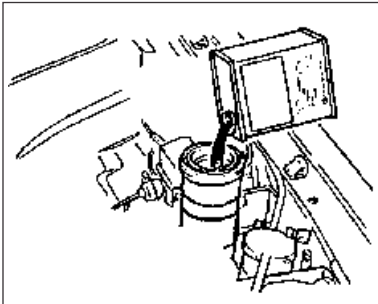
Replace the drain plug washer with new one every time plug is removed.



Changing power steering fluid PS

Draining

1. Jack up the front wheels until they are clear of the ground.
2. Remove the fluid hose between the steering unit and the fluid reservoir.
3. When draining is completed, remove remaining fluid within hydraulic system by turning the steering wheel fully in both directions several times.

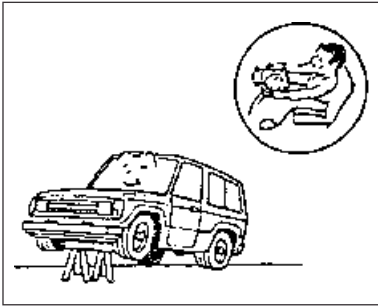


Refilling

1. Install the fluid hose securely and fill the fluid reservoir with the specified steering fluid.

CAUTION

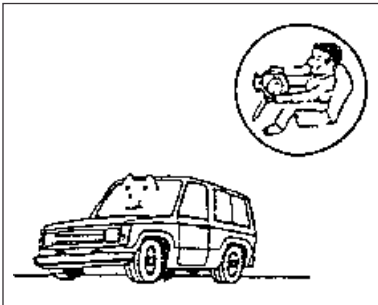
Do not operate vehicle without the required amount of power steering fluid. Doing so can damage power steering system of your vehicle, leading to costly repairs. An overflow of the fluid may cause the fluid to burn or discolour paintwork. Do not overfill the reservoir.



2. With the engine stationary, turn the steering wheel fully in both directions several times.

NOTE

While bleeding check the fluid level and replenish if necessary.

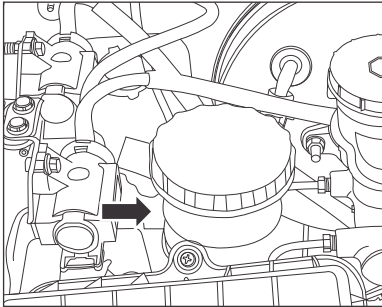


3. With the engine idling turn the steering wheel fully several times in both directions

CAUTION

Avoid turning steering wheel to lock and holding it there for more than 5 seconds, or the fluid temperature will increase sharply.

4. Lower the vehicle to the ground and turn the steering wheel fully in both directions several times, with the engine idling



5. Bring the steering wheel to the straight-ahead position, stop the engine, and check that the level of fluid in the fluid reservoir does not rise. If the fluid level rises sharply, air is not completely removed from the system and the operations outlined under step 4 must be repeated.
6. Check level of fluid in the fluid reservoir, then check joints for leakage.

RE-PACKING FRONT HUB BEARING WITH GREASE

It is suggested that the vehicle be taken to your CHEVROLET retailer when the above operation becomes necessary as the operation calls for disassembly and reassembly.

MAIN DATA AND SPECIFICATIONS

DIMENSION		
Length	mm	4435
Width	mm	1680
Height (Unladen)	mm	1765
Wheel Base	mm	2685
Wheel Track		
Front	mm	1445
Rear	mm	1420
Min. Ground Clearance	mm	185
WEIGHT		
Gross Vehicle Mass (6, 8, 9, 10 Seater)	kg	2550
Gross Vehicle Mass (7 Seater)	kg	2510
Gross Vehicle Mass (Ambulance)	kg	2185
ENGINE		
Model and type		G2 & 4 Stroke/DI/TCIC/CRDFi four cylinder water cooled inline cylinder engine with piezo technology fuel injection
Compression ratio	(to 1)	17.5 ± 0.5
Piston displacement	cc	1994
Bore x stroke	mm	84.45 x 88.95
Max. power	Kw@RPM	78.56@4000
Max. torque	Nm@RPM	263.7@2500
Idle Speed	rpm	825 ± 25
Firing order		1-3-4-2

Service change engine oil capacity (with filter changes)	liters	4.5~5.5
(without filter changes)	liters	4.0~5.0
Coolant capacity	liters	7.0
Fuel tank capacity	liters	55
Oil pan drain plug torque	kg.m	2.55
CLUTCH		
Type		Hydraulic control, dry single plate with diaphragm springs
Diameter	mm	D 260
Pedal free play	mm	5-15
TRANSMISSION		
Model and type		TR-2450 : 5-speed, fully synchronized manual transmission with a constant mesh type reverse gear
Gear ratio	(to 1) position	
	TR-2450	1st 2nd 3rd 4th 5th Reverse 4.201 2.328 1.421 1.00 0.765 3.759
Lubricant capacity	liters	2.8

MAIN DATA AND SPECIFICATIONS

REAR AXLE		
Type		Spiral bevel & hypoid gear, semi-floating
Gear ratio	(to 1)	Gear ratio 4.1
Oil capacity	liters	1.8L
Filler & drain plug torque	kg.m	2.75 - 4.18
STEERING		
Type		Recirculating ball
Steering wheel free play	mm	10-30
Wheel alignment		
Toe-in	mm	2 ± 2
Camber	(degrees)	$0^{\circ}30' \pm 60'$
Caster	(degrees)	$1^{\circ}30' \pm 45'$ (Long)
King pin angle	(degrees)	$10^{\circ} \pm 60'$
Turning radius	m	5.62
SERVICE BRAKE		
Type		Hydraulic disc in front, self-adjustment drum brake in rear with vacuum servo.
Pedal free play	mm	6-10
Booster - tandem	mm	230

PARKING BRAKE		Mechanical internal-expanding, action on rear wheels.
Type		IP mounted 8-12 (when pulled with force of 30kg)
Brake lever travel	(notches)	Floor mounted 7-10 (when pulled with force of 20kg)
WHEEL AND TIRE		
Tire size		205/65R15 99S
Wheel dimension		6JJ X 15
Tire pressure	Kg/cm ²	2.2/2.4 (Front/Rear) or 1.8/2.4 (Front/Rear) PS
SUSPENSION		
Type	Front	Independent wishbone arms, torsion bar spring with stabilizer bar with double-action gas filled shock absorbers
	Rear	Semi-elliptic, alloy steel leaf spring, with double-action gas filled shock absorbers
ELECTRICAL		
Type		12 volt system with negative polarity ground.
Battery	volt/Ah	D 80D26L (12V/65Ah)
Starter	volt/kw	12/2.2
AC generator	volt/amp.	D 12/120
A/C		
Refrigerant Specified Amount (R134a)		SINGLE 725 ± 25
	gms	DUAL 875 ± 25

Service and Warranty



Service Certificate

1st Owner _____

Customer name _____

Registration no. _____

2nd Owner _____

Customer name _____

Registration no. _____

3rd Owner _____

Customer name _____

Registration no. _____

Predelivery Inspection and Vehicle Delivery

Before delivering the vehicle we carried out a thorough predelivery inspection in order to ensure that your CHEVROLET vehicle is in a fault-free condition. Accompanying this appropriately filled out service booklet are the owner's manual, the tool kit and your vehicle documents.

You have been informed of the service intervals and necessary service checks.

City, date

CHEVROLET Retailer's / ASO's Stamp and Signature

Owner's Statement of Acceptance

I hereby certify that the car has been delivered in an orderly and proper operating condition, **including keys, owner's manual, service booklet and tool kit. I have read and understood the terms and conditions pertaining to the New Vehicle Warranty and agree to abide by the same.**

I have been informed of the service intervals and necessary service checks, including under extreme operating conditions.

Date of delivery : _____

City, date

Name and signature of customer

This sheet must be detached prior to vehicle delivery and placed with the vehicle file **after it has been signed** by the customer.





Dear Customer,

We are confident that you and your family would be enjoying the safe and comfortable drive of the Chevrolet Tavera.

We would like to undertake a thorough check-up of the vehicle at 1000 kms or 30 days, whichever occurs earlier. This will also allow us to re-emphasise the salient features of the Tavera to you.

In the unlikely event of an emergency assistance, please call your nearest CHEVROLET retailer as mentioned in this booklet or please feel free to call our 24 hr. helpline at 30308080.

1000Km/30 days Reassurance check-up

VIN no. : _____

PDI no. : _____

Date of service _____

Date of delivery _____

Retailer code _____

Customer's name _____

Customer's tel no. : _____

I confirm that the vehicle has been inspected and delivered to my satisfaction.

Customer signature _____

1000 kms Reassurance check-up	
General Status review	Hazard indicator & all other telltale lamp
Check closing efforts of doors, key less entry system, sunroof & other functions	Cigarette lighter/rear defogger auto cut off
Under hood	Check lighting system
Visually check routing, leaks & damage	Horn/Radio/OutsideMirrors/ auto parking mode
— Check fluid levels	High/Low beam/Hazard signal
— Engine oil level	Turn signal / Flash to pass signal
— Brake / Clutch oil level	Front/Rear fog lamps/Tail lamps
— Coolant level	Stop lamp/Reversing lamp/ Trunk lamp
— Power steering oil	Dynamic Evaluation
Windscreen washer level & add washer fluid	Steering function/noise/ abnormal drag
Check & adjust belt tension	Clutch & gear shifting function/noise
Underbody, wheels	Accelerating & braking function/noise
Visually check routing, leaks & damage	Check tyres
Check tyre pressure	Any other abnormal noise
Electrical Checks	
Engine check lamp	
Charging lamp	
Oil pressure lamp	
Parking brake lamp/indicator	
High beam/Turn signal	

CHEVROLET inspection

2nd Service Check One Year /10000 kms whichever occurs earlier

VIN _____

Regn. No: _____

Delivery Date _____

Date : _____

Kms: _____

I confirm that the job has been attended to my satisfaction.

Customer's Signature

Labour is free & parts are chargeable

(Retain with Job card)

CHEVROLET inspection

1st Service Check Six months /5000 kms whichever occurs earlier

VIN _____

Regn. No: _____

Delivery Date _____

Date : _____

Kms: _____

I confirm that the job has been attended to my satisfaction.

Customer's Signature

Labour is free & parts are chargeable

(Retain with Job card)

Delivering retailer's stamp & date

I hereby certify that the work has been carried out as per the schedule.

Servicing retailer's / ASO stamp & date

Delivering retailer's stamp & date

I hereby certify that the work has been carried out as per the schedule.

Servicing retailer's / ASO stamp & date

CHEVROLET inspection

4th Service Check Two Years /20000 kms whichever occurs earlier

VIN _____

Regn. No: _____

Delivery Date _____

Date : _____

Kms: _____

I confirm that the job has been attended to my satisfaction.

Customer's Signature

Labour & parts are chargeable

(Retain with Job card)

CHEVROLET inspection

3rd Service Check Eighteen months/15000 kms whichever occurs earlier

VIN _____

Regn. No: _____

Delivery Date _____

Date : _____

Kms: _____

I confirm that the job has been attended to my satisfaction.

Customer's Signature

Labour & parts are chargeable

(Retain with Job card)

Delivering retailer's stamp & date

I hereby certify that the work has been carried out as per the schedule.

Servicing retailer's / ASO stamp & date

Delivering retailer's stamp & date

I hereby certify that the work has been carried out as per the schedule.

Servicing retailer's / ASO stamp & date

MAINTENANCE RECORD SHEET

(Repair category - Free Service/Paid Service/Running Repair/Acc. Repair)

Repair Date	R.O. No.	Kms.	Repair Category	Details of Repair Done	Name of Servicing Retailer	Service Adv. Sign.	Retailer Stamp

MAINTENANCE RECORD SHEET

(Repair category - Free Service/Paid Service/Running Repair/Acc. Repair)

Repair Date	R.O. No.	Kms.	Repair Category	Details of Repair Done	Name of Servicing Retailer	Service Adv. Sign.	Retailer Stamp

Battery

Battery type : _____

Battery make : _____

Battery number : _____

Important Instructions

- The battery must be fitted firmly in the cradle.
- Connecting cables and connectors must be fastened securely on to the battery.
- Connections must be made in the right polarity.
- Terminals must be kept coated with petroleum jelly/vaseline. DO NOT USE GREASE.
- Battery top & vent plugs must always be kept clean & dry .
- Electrolyte level must always be maintained in line with the bottom of the vent hole. In case of any drop in electrolyte level, add pure distilled water. NEVER ADD ACID.
- Battery is warranted for a period of one year only.
- Liability under this warranty is limited to defects arising out of faulty material or workmanship developing under proper use and NOT when the battery is merely discharged.

- Defects arising out of faulty vehicle electrical systems, negligent maintenance, incorrect charging or improper filling of the battery by unauthorised dealers/auto electricians are not covered by warranty.
- Consequent liabilities are not covered by this warranty policy.
- **Get Battery checked every 3 months.**

CHEVROLET Retailer's
Stamp

Battery Service Record

Date	Specific Gravity	Voltage	Remarks	Retailer stamp & signature

Standard limited warranty coverage

1. SCOPE

General Motors India Private Limited, a private limited company incorporated in India under the Companies Act 1956 and having its Works/Registered office at Chandrapura Industrial Estate, Halol, District Panchmahals, Gujarat 389351 ("General Motors India") warrants that your new Chevrolet Tavera ("Vehicle") is free from defect in material or workmanship, subject to your compliance with the following terms and conditions mentioned hereunder and other vehicle maintenance norms as mentioned elsewhere in this service booklet.

Only an authorized CHEVROLET Retailer as mentioned in this booklet will make the necessary repairs, using new, re-conditioned or re-manufactured parts with a view to correcting any defect covered by this New Vehicle Warranty.

2. WHAT IS COVERED

Time and distance limits for "New Vehicle Warranty" coverage.

Warranty Type	Warranty Limits	OTHER WARRANTIES
A : General	Three(3) years or 1,00,000 kms (whichever is earlier from the date of delivery by a Chevrolet authorized retailer or the date of first registration of the motor vehicle, whichever occurs first.	These parts are covered by other warranties : 1. Battery (one (1) year) (covered by the Battery manufacturer*) 2. Tires (one (1) year) (covered by the tire manufacturer*) 3. Audio/Radio (one (1) year) (covered by the Audio/Radio manufacturer*)

* Service / warranty shall be provided by the concerned equipment manufacturer

-
- The obligation under this New Vehicle Warranty is limited to the repair of the new motor vehicle at no charge by the Chevrolet authorized retailer during the New Vehicle Warranty period. For parts replaced during such repair the same warranty applies until the end of the New Vehicle Warranty period as stipulated herein. All warranty claims expire at the end of the New Vehicle Warranty period as specified under Clause 2.
 - Liability of **General Motors India** under this New Vehicle Warranty is limited to the value of the service, repairs/ replacement of parts found to be defective within the warranty period. Beyond servicing and/or repairing defective parts in the vehicle, **General Motors India** does not undertake to replace the vehicle / or reimburse the purchaser by payment of any money in respect of the vehicle purchased by them.
 - Under the terms of New Vehicle Warranty, installation, free service will be provided only within the municipal limits of the cities/towns where **General Motors India** has its service network, **as elaborated elsewhere in this Service booklet. This list of authorised Chevrolet retailers is subject to change/modification without prior notice.** Service outside the municipal limits specified above will be provided after charging the actual to and fro traveling and incidental expenses, as prevailing from time to time.
 - Necessary care and caution is taken in manufacturing of the vehicle, however, **General Motors India** shall not be liable for any loss or damage caused to any article, property, death or disability caused to any human life arising out of fire, electric fault, short circuit, accidental handling or negligent use of the vehicle. The maximum liability in monetary terms shall be restricted to the value of the defective parts and / or value of services rendered only. Furthermore, the New Vehicle Warranty, in no case, shall extend to the payment of any monetary consideration whatsoever, of the replacement or return of the vehicle as a whole.
 - The decision of **General Motors India** will be final and binding on all matters arising out of this New Vehicle Warranty.
 - The owner should preserve the original Invoice for necessary verification and produce the same, as and when required.
 - The optimum performance of the vehicle is under standard test conditions.

This New Vehicle Warranty is issued at Halol, district Panchmahals, Gujarat and competent courts shall have exclusive jurisdiction over matters by or following from this New Vehicle Warranty. All disputes shall be decided as per the Indian laws that may be prevalent from time to time.

3. WHAT IS NOT COVERED

Please read the followings carefully;

- a. Failure to have the required periodic inspection and required service performed as mandated elsewhere in this service booklet.
 - b. Improper or wrong maintenance and in deviation with guidelines mentioned in this service booklet.
 - c. Any modification, alterations made to the vehicle such as including but not restricted to adding lights, changing engine specifications to increase horsepower, or using wide tires, and or any other modification in the vehicle that may likely to have an effect on the performance of the vehicle. (e.g.: a defect caused by the installation of non homologated wheels and tires are not covered by the warranty.
 - d. Failure to use genuine parts, /fluids (oil, coolant, gas) and / or other accessories / consumables recommended or approved by General Motors India.
 - e. Use of the vehicle for purposes or in a manner other than the one mentioned in the owner's manual. Exceeding specified capacities such as loading weight, passenger, speed, use as a commercial vehicle and rpm limitations.
 - f. Damage caused by driving the vehicle under severe conditions such as un-pliable or water-logged roads, in races or rallies..
 - g. Damage caused by natural disasters including but not restricted to earthquakes, storms, floods, fire and accidents. The owners are recommended to keep their vehicle insurance valid at all times.
 - h. Damage caused by smoke, chemicals, bird-droppings, salt, stone chipping, scratches, iron dust or any other extraneous circumstances like external mechanical or chemical influences (regarding paint or body damage, specially stone throw, air-borne rust, industrial fall out, damage to catalytic converter due to use of wrong/bad quality fuel) acting on the vehicle
- i. Damage caused by normal wear (for instance brake-pad, etc.) or exposure to the elements such as discoloring or deformation of any interior, plastic, chrome or painted part or surface.
 - j. Sensory complaint by the owner against symptoms such as noise, vibration or oil stains which do not affect performance.
 - k. Damage which should have been detected during normal usage but became serious when left unattended to and/or the owner of the vehicle having failed to claim and having rectified a defect which was already apparent during vehicle delivery, immediately after delivery or a defect which becomes apparent at a later date immediately after it became apparent.
 - l. Failure of the owner to adhere to the requirements outlined in Clause 4.
 - m. Fuel system damage caused by water or other foreign matter in the fuel system.
 - n. Damage caused by the installation of accessories or equipment after the vehicle has been purchased from the Chevrolet authorized retailer such as radio, car telephone, CD radio set, or cargo carrier and / or other activities of a similar nature.
 - o. Consumptive parts and oil/grease and other fluids. (See the following tables of consumptive parts and oil/grease and other fluids.)
 - p. Adjustments, cleaning, inspection, or required periodic maintenance.
 - q. Parts designated as requiring periodic replacement.
 - r. Warranty repair not performed by a Chevrolet authorized retailer.
 - s. Charges or fees for telephone, tow, transportation charges of the vehicle to the nearest Chevrolet authorized retailer, rental car, and

so forth; compensation for inconvenience or commercial losses; all other consequential costs relating to the owner being unable to use the vehicle

- u. Damage to the engine while driving in water logged conditions or entry of water in to the engine.
- v. Any accident, damage, loss or destruction due to negligent, careless use of vehicle.

Consumptive Parts	Oil/Grease and other fluids:
Belt	Engine oil
Air cleaner element	Transmission oil
Fuel filter	Differential oil
Oil filter	Brake/clutch fluid
Clutch disk, clutch parts	Coolant
Brush holders (for ECVT)	Grease
Brake linings	Washer fluid
Brake disks	Battery fluid
Brake drums	Diesel
Wiper blades	Air conditioner refrigerant
Light bulbs	Other lubricants, etc.
Motor brushes	
Hoses	
Fuses, etc.	
Spring bushing	

No warranty repair shall be made if it is found that the vehicle Identification number like chassis / engine number, odometer or the warranty & service booklet, have been tampered with. This list is neither exclusive nor exhaustive and the decision of General Motors India shall be final and binding

4. WHAT THE OWNER MUST DO

- In order to keep this warranty valid you must:
- a Use your vehicle as instructed in the owner's manual.
 - b Have your vehicle inspected according to this schedule.
The cost of the service is borne by the owner. If the services are not performed within the specified time limits, the general and any other warranty as referred to under Clause 2 above, shall be rendered null and void and shall not be reinstated by a subsequent service.
 - c Keep the warranty & service booklet and all receipts in a safe place to present to the Chevrolet authorized retailer at regular maintenance visits and when repair work is required.

5. PARTS COVERED BY OTHER WARRANTY CONDITION

- a. Battery : The coverage period is 1 year from the date of new vehicle registration regardless of the distance traveled. This warranty is covered by Battery manufacturer.
- b. Tires : The coverage period is 1 year from the date of new vehicle registration. This warranty is covered by the tire manufacturer.
- c. Audio/Radio : The coverage period is 1 year from the date of new vehicle registration. This warranty is covered by the audio/radio manufacturer.

6. MAKING THE WARRANTY EFFECTIVE

The warranty goes into effect after Chevrolet authorized Retailer fills in the appropriate information about your vehicle and places the retailer's official seal and signature in the warranty & service booklet.

7. REQUIREMENTS FOR WARRANTY WORK

To have warranty work carried out, present the warranty & service booklet to the authorized Chevrolet Retailer as mentioned in this booklet. If the warranty & service booklet is lost or incomplete, work to be carried out with respect to the standard warranty shall be refused.

8. CHANGE OF OWNERSHIP

If the vehicle is sold during the warranty period, please deliver the warranty & service booklet to the new owner.

The new owner will need to complete the change of address or subsequent ownership notification card located elsewhere in this booklet in order for the coverage to be transferred.

9. EXPENSES ASSOCIATED WITH WARRANTY WORK

The expenses of repair work and parts of your Chevrolet will be covered by Chevrolet standard limited warranty in accordance with the WARRANTY & SERVICE BOOKLET. Other expenses that are not covered by the Chevrolet Standard Limited Warranty must be covered by the owner.

- 10.** General Motors India Private Limited is launching the Chevrolet Tavera in different cities in a phased manner. The Chevrolet retailer responsible for delivering your Tavera is qualified to provide all Tavera related services within the city where the dealership is located. As other Chevrolet retailers become operational to handle the Tavera, they will also be able to provide similar Tavera related services. **IN ORDER FOR THE WARRANTY ON YOUR VEHICLE TO APPLY, IT IS IMPERATIVE THAT YOUR TAVERA BE SERVICED, HANDLED AND ATTENDED TO ONLY BY CHEVROLET RETAILERS AS SET FORTH IN THIS BOOKLET.**

- 11.** The following requisite document should be presented to the Chevrolet Retailer at the time of making a claim under New Vehicle Warranty:

- Original invoice issued by a CHEVROLET Retailer.
- This warranty and service booklet Service / maintenance record
- Any other document deemed to be necessary by CHEVROLET retailer and/or General Motors India

Emission Warranty

(Applicable in NCR Delhi,
Chennai, Kolkata and Mumbai)

Subject to other terms of the warranty policy and the conditions and obligations laid down hereunder, General Motors India Pvt. Ltd., hereafter called GMI, certifies that the components liable to affect the emission of the gaseous pollutants in the vehicle in the normal use despite the use to which it may be subjected, comply with the provisions of Rule 115 (2) of the Central Motor Vehicle Rules, 1989, and further warrants that if on examination by a service center duly authorized by the GMI, the vehicle is discovered to be failing to meet the emission standard as specified in the said rule, our authorized service center shall take such corrective measures as may be necessary and shall at its sole discretion either repair or replace free of charge such components of emission control system as are specified in Annexure II hereof.

The definitions of various terms used in Emission Warranty proposal are given in Annexure –I. These definitions shall be in line with the definition of the existing product Warranty definition.

Conditions :

1. This warranty will be in addition to and will run concurrently and parallel to the product warranty and will apply only in respect to components as mentioned in Annexure-II.

2. The period of the vehicle's warranty shall commence from the date of the vehicle sale.
- 2.1 Warranty period - 1,00,000 kms or 3 years whichever occurs earlier, from date of the vehicle sale.
- 3 The warranty claim will be accepted only after examination carried out by Authorised Service Centers leading to a firm conclusion that none of the original settings /specifications have been tampered with and that the components (s) as mentioned in Annexure – II has/have a manufacturing defect, and /or, that the vehicle is unable to meet the In-use emission standard, as described in Sr. No. 3 above with the instructions in the Owner 's Manual (OM).
4. The methods of examination to determine the warrantable condition of the components will be at sole discretion of GMI and or its authorised service centers and results of such examination will be final and binding. If, on examination, the warrantable condition is not established, GMI will have the right to charge full, or part, of the cost of such examination and resulting repairs /rectification
5. In case of acceptance of the warranty under Emission Warranty, GMI will replace, at Authorized Service Centers, free of charge, the components which are covered as mentioned in Annexure-II, but the consumables as mentioned in OM shall be charged as per actual applicable rates.
6. In case of a vehicle in which the components covered under Emission Warranty or the associated parts, are not independently replaceable, on account of their being integral parts of a complete assembly, GMI will have the sole discretion to replace either the entire assembly or by using some of the parts of the system through suitable repairs or modifications.
7. Any consequential repairs or replacement of parts which may be found necessary to establish compliance to In-use emission standards, in addition to the replacement of the components covered under Emission Warranty, will not be made free of cost unless such parts are also found to be in a warrantable condition within the scope and limit of the product Warranty (Chevrolet Tavera-3 years / 1,00,000 kms, whichever is earlier). The consumables and labour shall be charged per actual during such repairs or replacement of parts.
8. All the parts removed for replacement under warranty will be the property of GMI.
9. GMI will not be responsible for the cost of transportation of the vehicle to the nearest Authorized Service Center or any loss due to non-availability of the vehicle during the period of a warranty claim and examination by GMI/Authorised Service Centers and repairs.
10. GMI will not be responsible for any fines, penalties that may be charged by Statutory or Regulatory authorities on account of failure of the vehicle to comply with the

- In-use emission standards on the vehicle not meeting any such given legal/regulatory requirement, during inspection by such authorities.
11. Emission Warranty will be applicable irrespective of the change of ownership of the vehicle provided all the conditions as laid down in this document are met from the date of original sale of the vehicle.
- This Emission Warranty will be applicable only if the customer :
- (i) Observes all the important instructions and any other precautions listed in the OM for use of the vehicle.
 - (ii) Under all circumstances uses lubricants and fuel as recommended by manufacturer.
 - (iii) Regularly obtains and carries out maintenance at GMI Authorised Service Centers as per the list in this booklet only, in accordance with GMI guidelines and enters the details in the Logbook/Service Book.
 - (iv) Immediately approaches the nearest Authorized Service Center as per the list in this booklet upon discovery of failure to comply with the In-use emission standard inspite of having maintained and used the vehicle in accordance with the instructions in the OM and having carried out such repairs and adjustments as may be required with a view to establish such compliance.
 - (v) Produces the 'Pollution Under Control (PUC)' certificate valid for the period immediately preceding the test during

- which the failure is discovered, the test having been carried out either for obtaining a new certificate, or pursuant upon being directed by an officer as referred to in sub –rule (2) of Rule 116 of the Central Motor Vehicles Rules,
- (vi) Produces the Logbook provided with OM and all relevant bills for verification of details.
 - (vii) Produces receipts covering maintenance of the vehicle as specified in the OM from the date of original purchase of the vehicle.
 - (viii). Produces valid certificate of insurance & RTO registration.
- Conditions under which warranty is NOT applicable:
- 1. Non production/availability of a valid 'Pollution under Control' certificates as described in customer obligation (V).
 - 2. In case the vehicle is not serviced by GMI Authorised Service Centers as per the list in this booklet as per the service schedule described in the maintenance chart given in the OM.
 - 3. A vehicle, which has been subjected to abnormal use, abuses, neglect and improper maintenance or has met with an accident.
 - 4. Use of such replacement parts, which are not specified and approved by GMI.
 - 5. If the vehicle or parts thereof, have been altered, tampered with or modified or replaced in an unauthorized manner.

- 6. A vehicle on which the odometer is not functioning or the odometer has been changed or the reading of which has been changed / tampered with so that the actual mileage cannot be readily determined.
 - 7. A vehicle, which has been used, for competitions, races, rallies or for the purpose of establishing records.
 - 8. Examination by GMI or our Authorized Service Centers as per the list in this booklet of the vehicle shows that any of the conditions stipulated in the OM with regard to use and maintenance have been violated.
 - 9. A vehicle, which has been run on adulterated fuel or lubricant or fuels/ lubricants other than those, specified by GMI.
- Scope and Limits:
- 1. This emission warranty is in addition to the product warranty for the vehicle as per the scope and limit described in the OM and all conditions described therein will apply, in addition to those exclusively stipulated in this warranty.
 - 2. The emission warranty covers only compliance with the emission standard as specified in sub rule (2) of Rule 115 of CMVR. It does not cover any other performance of these parts or routine test and consequent maintenance or adjustments to establish compliance to the in-use emission standard as applicable to the state, in which the vehicle is registered and is in use.

Annexure-I

Definitions:

1. Vehicle : The Motor Vehicle approved for sale within India under the provisions of Central Motor Vehicle Rules, 1989 or any subsequent amendment or substitution thereof.
2. Owner Manual (OM) : A document given to the customer at the time of sale of the vehicle giving guidelines on use and maintenance of the vehicle including the terms and conditions of Warranty
3. Maintenance : Maintenance as per the schedule provided in the owner's manual by GMI including inspection, verification check, adjustment and replacement, if necessary.
4. Logbook : The scheduled service record book, which shall be issued at the time of first sale to the customer.
5. Abnormal Use : The situations when the vehicle is put to use other than that intended by GMI such as racing, overloading or use of adulterated fuel or fuel not recommended by GMI.
6. Manufacturing Defect : Means deficiency or deviation from normal production tolerance in design, material, or workmanship in a device or system which affects any parameter, performance, or component belonging to emission control system.
7. Product Warranty : The manufacturer warranty as provided by GMI, which covers failure of various parts and systems as per the OM. 3 years / 1,00,000 kms (Whichever is earlier).
8. Emission Warranty : Warranty for emission performance of the vehicle as determined by sub-rule (2) of rule no 115 of the Central Motor Vehicles Rules, 1989.
9. Authorized Service Centers : Any service facilities authorised by GMI to perform warranty repairs. This shall include all of GMI dealerships that are recognised for service of subject vehicles or any other service center duly authorised by GMI.
10. Warrantable Condition : Warrantable condition means any condition of a vehicle, which triggers the responsibility of GMI to take corrective action within the framework of Emission Warranty. This however shall not include any statutory or regulatory fines or penalties.
11. Warranted Parts : Those components, listed as per Annexure –II.

Annexure - II

List of Components Covered under Emission Warranty

S. No.	Part name
1	Catalytic Converter***
2	Exhaust manifold gasket
3	Electronic Control Module
4.	Manifold Absolute Pressure Sensor
5.	Mass Air Flow Sensor
6.	Accelerator Pedal Position Sensor
7.	Air Temp. Sensor
8.	Coolant Temperature Sensor
9.	Injectors
10.	Fuel Pressure Regulator Valve
11.	Exhaust Gas Re-circulation Valve
12.	Fuel Pump
13.	High Pressure Pump
14.	Glow Plugs

*** Catalytic Converter is covered only for emission related failures as provided under the warranty statement. Replacements if any shall not be applicable for breakage and noise problems

Note : All the above mentioned parts are covered only if the car fails to meet the prescribed Emission norms. Any other performance problems shall be treated as not relevant to the Emission Warranty. All the above parts may not be part of the vehicle and depend on engine type.

CHEVROLET SALES INDIA SALES AND SERVICE NETWORK

- L Indicates Retailer (Sales and Service)
- Indicates Chevrolet Authorised Service Center
Authorised Service Center (ASC) are authorised to carry out Periodic Maintenance (Free/Paid, Minor Running Repair) Only.

NORTH ZONE

STATE - DELHI

★ **Auto Vikas Sales & Service Pvt. Ltd.**

Showroom & Workshop 1:

12-A, Shivaji Marg, Najafgarh Road,
New Delhi - 110 015

Tel.: 011 - 42070707, 42070788

Fax: 011 - 25451004, 42070735

Showroom & Workshop 2 :

J-10, Rajapuri, Palam, Mattiala Road,
Opp. Sector-5, Dwaraka, New Delhi - 110 075

Tel.: 011 - 45595959, 45595909

Fax : 011 - 45595979

Showroom 3 :

Majesty Mall, Plot No. 2, Road No. 43,
Guru Harkishan Marg, Pitampura,
Delhi - 110 034

Tel.: 011 - 42787878

Fax : 011 - 42787877

Showroom 4 :

34 Ring Road, Lagpat Nagar - IV, New Delhi - 110 024
Telefax: 011 - 46808090

Workshop 3 :

G-14, Udyog Nagar, Rohtak Road,
Peeragarhi, Delhi - 110 041

Tel.: 011 - 42010101

Fax : 011 - 42010132

Workshop 4 :

B-239, Okhla Industrial Area Phase-1
New Delhi - 110 020

Tel.: 011 - 49808080

Fax :011 - 49808031

Workshop 5 :

62, Rama Road, New Delhi - 110015

Tel.: 011 - 43210707, 43210703

Fax : 011 - 43210709

★ **Arya Automobiles**

Showroom :

Plot No. 193, Metro Pillar No. 543, Main Rohtak Road,
Mundka, New Delhi - 110041

Tel. : 011 - 8743030301 / 302

Fax : 011 - 28342887

Workshop :

Khasra No.781/3, Phirni Road, Mundka, New Delhi -110 041
Tel. : 011-28342884

○ **Car Care**

Workshop :

Near Ispat Bhawan, Lodhi Road, New Delhi - 110 003
Tel.: 011 - 2437874

★ **Metro Motors Pvt. Ltd.**

Showroom & Workshop :

Bawa Potteries Industrial Complex,
Aruna Asaf Ali Marg, Vasant Kunj - 110 070
Tel.: 011 - 41761717, 46156666

Showroom & Workshop :

A-2/6, Safdarganj Enclave,
Africa Avenue, New Delhi - 110 029
Tel.: 011 - 46146666 / 75

★ **Regent Automobiles Ltd.**

Showroom :

B-1/F-5, Mohan Co-operative Indl. Estate,
Near Haldiram's, Mathura Road,
New Delhi - 110 044

Tel.: 011 - 41678390-95

Fax: 011 - 26959589 / 776

Workshop :

D-12, Okhla Industrial Area,
Phase-1, New Delhi - 110 020
Tel. : 011 - 26812600, 26813383-87, 49353500-35
Fax: 011 - 26813383

★ **Shiva Motors**

Showroom :

85, Patparganj Industrial Area,
Patparganj, Delhi - 110 092

Tel.: 011 - 30264443-44

★ **Triumph Motors**

Showroom 1 :

E-13/29, Ground Floor,
Harsha Bhawan, Connaught Circus,
New Delhi - 110 001

Tel.: 011 - 41536071-74

Fax: 011 - 41536077

Showroom 2 :

B-72/4, 1st Floor, Wazipur Industrial Area,
New Delhi - 110 052

Tel.: 011 - 42475580-83, 47000211 - 12

Fax: 011 - 42475584

Workshop :

C-13, Plot No. 65, SMA Industrial Area, GTK Road,
Opp. Jahangir Puri, Azadpur,
New Delhi - 110 033
Tel.: 011 - 47444714

○ **Vaibhav**

Workshop :

A-Block, Community Centre,
Near to District Centre (Janakpuri),
Vikasपुरi, New Delhi - 110 018
Mob.: 9810048946

STATE - HARYANA

AMBALA

★ **Oberoi Automobiles Pvt. Ltd.**

Showroom :

Ramgarh, Near Central Jail Bridge, Chandigarh Road,
Baldev Nagar, Ambala City - 134 003

Tel.: 0171 - 2543010

Fax: 0171 - 2543510

Workshop :

Barwala, Naraingarh Road, Ambala City - 134 003
Tel.: 0171 - 2678013

BHIWANI

★ **Shailesh Automobiles**

Showroom & Workshop :

Rohtak Road, Bhiwani - 127021

Tel. : 01664 -204006/008

★ **FARIDABAD**
Regent Automobiles Ltd.
Showroom :
 14/3 , Mathura Road, Faridabad - 121 003, Haryana
 Tel. : 0129 - 4088530 / 31
 Fax: 0129 - 2252304

Workshop :
 14/5, Main Mathura Road, Faridabad - 121 003
 Tel : 0129 - 2252151-55, 4261200

★ **GURGAON**
Gentech Toolings Pvt. Ltd.
Showroom 1:
 Shop No. 1, ABW Tower,
 IFFCO Chowk, Gurgaon - 122 002
 Tel.: 0124 - 4638888
 Fax: 0124 - 4038877

Showroom & Workshop :
 Plot No. 66, IDC, Opp. Sector - 14
 Mehrauli - Gurgaon Road, Gurgaon - 122 001
 Tel.: 0124 - 4638751 - 54, 4368787
 Fax: 0124 - 4638700

★ **Orix Auto Infrastructure Services Ltd.**
Workshop :
 7B, Sector - 18, Maruti Industrial Area,
 Gurgaon - 122 015
 Tel.: 0124 - 3014700 / 701 / 719
 Fax: 0124 - 3014702

★ **YAMUNA NAGAR**
Oberoi Automobiles
Showroom & Workshop :
 Aggarsain Chowk, Near Gupta Palace,
 Jagadhri - 135 003
 Tel.: 01732 - 212030, 212010

★ **KURUKSHETRA**
VPS Speciality Papers
Showroom & Workshop :
 Plot No.145 &146, Industrial Area,
 Sector 2, Kurukshetra - 136 118
 Telefax: 01744 - 231050

★ **HISSAR**
Vibhushan Automobiles Pvt. Ltd.
Showroom & Workshop :
 Opp. Vidyut Nagar, Delhi Road, Hissar - 125 001
 Tel.: 0166 - 222224-5 / 645898

★ **KAITHAL**
Lekh Raj Motors Private Limited
Showroom & Workshop :
 Ambala Road, Kaithal, Haryana - 136027
 Tel. : 0174 - 6226827

★ **KARNAL**
Aryaman Automobiles
Showroom & Workshop :
 117/6, K.M. Milestone, Near Hotel New
 World, G. T. Road, Karnal - 132 001
 Tel.: 0184 - 2220011, 2220325
 TeleFax: 0184 - 2220025

★ **PANIPAT**
Aryaman Automobiles
Showroom & Workshop :
 Opp. Yamuna Enclave, GT Road, Panipat - 132103
 Tel.: 0180 - 3253004

★ **ROHTAK**
Badhwar Automobiles Pvt Ltd.
Showroom & Workshop :
 Sonepat Road, Rohtak - 124 001
 Telefax: 01262 - 256666

★ **REWARI**
Vardhman Automobiles Pvt. Ltd.
Showroom & Workshop :
 Opp. Gurudwara, Jhajhar Road, Rewari - 123 401
 Tel.: 01274 - 250440 / 251188
 Fax: 01274 - 255966

★ **SONIPAT**
Malwa Motors Sales Pvt. Ltd.
Showroom & Workshop :
 NH-1, 31 Km Stone, G.T. Road, Kundli,
 Sonepat - 131 001, Haryana
 Tel.: 0130 - 2219384-85, 2370386, 2371386
 Fax: 0130 - 2219384

★ **SIRSA**
Padam Motors Pvt. Ltd.
Showroom & Workshop :
 Hisar Road, Opp Traffic Police Post, Sirsa - 125055
 Tel.: 01666 - 244445
 Fax: 01666 - 244442

STATE - HIMACHAL PRADESH

★ **KANGRA**
Jaishree Motors
Showroom & Workshop :
 N.H. 20, Kachhiari, Kangra - 176 001
 Telefax: 01892 - 260600 - 01

★ **MANDI**
Ram Hari Motors Pvt. Ltd.
Showroom & Workshop :
 Rani Ki Bain, Gutkar, Mandi - 175 021
 Tel.: 01905 - 225692
 Fax: 01905 - 221691

★ **SIMLA**
Rajvir Motors
Showroom & Workshop :
 Bypass Road, Parasdass Garden, Simla - 171 001
 Tel.: 0177 - 2674284 - 6
 Fax: 0177 - 2674287

★ **SOLAN**
Rajvir Motors
Showroom & Workshop :
 Kalka Shimla Road, Near Mehta Market,
 Kumarhatti, Solan, Himachal Pradesh - 173 229
 Telefax: 01792 - 266338

STATE - PUNJAB

★ **AMRITSAR**
S V Motors
Showroom :
 Near Amritsar Gate, GT Road, Amritsar - 143001
 Tel.: 0183 - 2700102
 Fax:0183 - 2700101

Workshop :

16 A, Court Road, Near Ravi Gas Agency,
Amritsar - 143001
Tel.: 0183 - 5066650-51

BHATINDA

- ★ **Padam Cars Pvt. Ltd.**
Showroom & Workshop :
Goniana Road, 8th Mile Stone, NH-10, Bhatinda - 151 005
Tel.: 0164 - 27601111 / 9216350205
Telefax: 0164 - 2760153

CHANDIGARH

- ★ **RSA Motors**
Showroom & Workshop :
Plot No.5, Industrial Area, Phase-I, Chandigarh - 160 001
Tel.: 0172 - 5033333/37, 5039999/69
Fax: 0172 - 5033338, 5039939

○ **National Service Centre**

Workshop :
Behind Neelam Theatre, Sector - 17E, Chandigarh - 160017

★ **Padam Motors Pvt. Ltd.**

Showroom:
182/2, Industrial Area, Phase 1, Chandigarh - 160002
Tel. : 0172 - 5212900

Workshop

185, Industrial Area, Phase 1, Chandigarh -160002
Tel. : 0172 - 5212999

★ **HOSHIARPUR**

Bedi Automobiles
Showroom & Workshop:
Piplawala, Jalandhar Road, Hoshiarpur - 146 022
Tel.: 01882 - 329696
Fax: 01882 - 253763

★ **JALANDHAR**

Aakriti World
Showroom :
Ground Floor, Vasal Tower, Police Lines,
Opp. President Hotel, Jalandhar - 144001
Telefax: 0181 - 5003333

Workshop :

1746 Ladowali Road, Near BSF Chowk, Jalandhar - 144001
Tel.: 0181 - 5057777

LUDHIANA

- ★ **Padam Cars Pvt. Ltd.**
Showroom & Workshop :
Khasra No. 279/3, G.T. Road, Dhandari Kalan, Ludhiana
Tel.: 0161 - 2510014
Telefax: 0161 - 2510015

- ★ **Omni Wheels Pvt. Ltd.**
Showroom & Workshop :
Plot No 73, New Kuldeep Nagar,
Basti Jodhewal Chowk, Ludhiana - 141 007
Tel.: 0161 - 5055900
Fax : 0161 - 5055911

ROPAR

- ★ **Padam Cars Pvt. Ltd.**
Showroom :
Chandigarh Road, Nangal Chowk, Ropar - 140 001
Telefax: 01881 - 500099

MOGA

- ★ **Padam Cars Pvt. Ltd.**
Showroom & Workshop :
Near Majestic Resorts, Ferozepur Road, Moga - 142 001
Tel.: 01636 - 225755

PATIALA

- ★ **Padam Cars Pvt. Ltd.**
Showroom & Workshop :
Main Patiala - Rajpura Road,
Opp. Caspa Resort, Bahadurgarh, Patiala - 147 001
Mob.: 0175 - 2663813-14, 9217100905 - 9
Fax: 0175 - 2663828

PATHANKOT

- ★ **Kashmir Automobile Pvt. Ltd.**
Showroom & Workshop :
Simbel Chowk, Dalhousie Road, Pathankot - 145 001
Tel.: 0186 - 2257022 - 24

SANGRUR

- ★ **Padam Cars Pvt. Ltd.**
Showroom & Workshop :
College Road, Opp. Kamal Palace, Sangrur - 148 001
Mob.: 9216350134, 9216911461

STATE - RAJASTHAN**ALWAR**

- ★ **Triumph Motors**
Showroom & Workshop :
Old Delhi Road, Near Jhankar Hotel, Alwar - 301 001
Telefax: 0144 - 3047571-78

AJMER

- ★ **Relan Motors Pvt. Ltd.**
Showroom :
Near Railway Hospital, Beawer Road, Ajmer
Tel.: 0145 - 2461266, 9214444222
Fax: 0145 - 2611159

Workshop :

NH-8, Parbatpura Bypass, Ajmer
Tel.: 0145 - 2461266
Fax: 0145 - 2611159

BIKANER

- ★ **Sunehri Cars**
Showroom & Workshop :
Plot No. 15, Transport Nagar,
NH-15, Ganganagar Road, Bikaner - 334 001
Tel. : 0151 - 2250164
Mob.: 09414580691

BHILWARA

- ★ **Relan Motors Pvt. Ltd.**
Showroom & Workshop :
Near Sukhradia Circle, Ajmer Road, Bhilwara - 311 001
Mob.: 9251057300
Tel.: 01482 - 265266

JAIPUR

- ★ **Triumph Motors**
Showroom & Workshop :
G-109A, Sitapura Industrial Area, Jaipur - 302 004
Tel.: 0141 - 5122333, 5113636, 5143737,
5122797, 5122798, 5143636, 4090409
Fax: 0141 - 5122552

Showroom 2:

Corporate Tower, A-1, Jawahar Lal Marg, Jaipur - 302015
Tel.: 141 - 4057575
Fax: 141 - 4057500

Showroom 3:

C7D, Sawai Jai Singh Highway, Bani Park, Jaipur - 302016
Tel.: 0141 - 4122222
Fax: 0141 - 4122233

Workshop :

E-12B, Vishwakarma IndArea, Road No. 01, Jaipur - 302013
Tel.: 0141 - 4255555

★ **Baid Motors****Showroom:**

1 A, & 28a, Karoli Bagh, Near Gujar Ki Thadi,
Near Gopal Pura Bye Pass, Jaipur - 302019
Tel.: 0141 - 2299992

Workshop :

29-32, Sushilpura, Shyam Nagar,
Ajmer Road, Jaipur - 302018
Tel.: 0141 - 3535300, 2812865

Workshop 2 :

Baid Garden, Near Heera Pura Power Station,
Ajmer Road, Jaipur - 302016
Mob.: 09829973356

JODHPUR★ **Atharva Motors Pvt. Ltd.****Showroom :**

27/27A, Light Industrial Area,
Near Shastri Circle, ITI Road, Jodhpur - 342 003
Tel.: 0291 - 3048491

Workshop :

E-711, Mia Bsmi, IInd Phase,
Behind Krishna Dharam Kanta, Jodhpur - 342 005
Tel.: 0291 - 3048217 - 22
Fax: 0291 - 3048223

KOTA★ **Triumph Motors****Showroom & Workshop :**

E - 137C, Road No. 5,
Indraprastha Industrial Area, Kota
Tel.: 0744 - 2372333, 2372666

SIKAR★ **Triumph Motors****Showroom & Workshop :**

Near Circuit House, NH-11,
Jaipur Sikar Road, Sikar - 332 001
Tel.: 01572 - 245971

SRI GANGANAGAR★ **Sunehri Cars****Showroom & Workshop :**

6th Km Stone, Surat Garh Road, NH-15, Sri Ganganagar
Telefax: 0154 - 2496200

UDAIPUR★ **Atharva Motors Pvt. Ltd.****Showroom & Workshop :**

A-83, Mewar Industrial Area, Madri, NH-8,
Ahmedabad Bye Pass, Udaipur - 313 002
Tel.: 0294 - 3002730, 3002769
Fax: 0294 - 2490108

STATE - UTTAR PRADESH**ALLAHABAD**★ **Eldee Motors****Showroom :**

Eldee Enclave, 2, S.P. Marg, Civil Lines, Allahabad - 211 001
Tel.: 0532 - 2560743, 44

Workshop :

Kanodia Mill Compound, 1, Luker Ganj, Allahabad - 211 001
Tel.: 0532 - 2616368

ALIGARH★ **Technocrat Vehicles Pvt. Ltd.****Showroom & Workshop :**

Khair Bypass Road, Aligarh - 202 001
Mob.: 9760094180 / 9760094181

AGRA★ **Kalyan Auto Sales****Showroom & Workshop :**

Opp. Bhagwati Dhaba, Near New Sabji Mandi,
Sikandra, Agra - 282 007
Tel.: 0562 - 2640460 / 62 / 63
Fax: 0562 - 2640461

BAREILLY★ **VAT Motors Pvt. Ltd.****Showroom & Workshop :**

4.5 KM, Rampur Road, CBGanj, Bareilly - 243001
Tel.: 0581 - 2560741
Fax: 0581 - 2560731

FAIZABAD★ **Megha Auto (I) Pvt. Ltd.****Showroom & Workshop:**

Lucknow Bypass Road, Sahadatganj, Faizabad - 224 001
Mob.: 09839099210

GORAKHPUR★ **United Motors****Showroom :**

7, Park Road, Golgarh, Gorakhpur - 273 001
Tel.: 0551 - 2201667
Fax: 0551 - 2338299

Workshop :

Charphatak Road, Mohaddipur, Gorakhpur - 273 001
Tel.: 0551 - 2270231

GHAZIABAD★ **Shiva Motors****Showroom & Workshop :**

28/3/5, Site - IV, Industrial Area, Sahibabad, Ghaziabad
Tel.: 0120 - 3008600/605/631/632/635/636
Fax: 0120 - 3008643/45/48/49/50

Workshop 2:

58/3, Site 04, Sahibabad, Ghaziabad - 200300
Tel.: 0120 - 4558765

JHANSI★ **Sri Venkateshwar Autocare Pvt. Ltd.****Showroom & Workshop :**

Jhansi Kanpur Road, Goramachhiya, Jhansi - 284001
Tel.: 0510 - 2371144, 6450158

KANPUR★ **Cross Road Auto Pvt. Ltd.****Showroom :**

40, Government Industrial Estate,
Opp. Sindhi Colony, Fazal Ganj, Kanpur - 208 012
Tel.: 0512 - 2221276 / 2220043

Workshop 1:

C-15A, Panki Industrial Area,
Site-1, Kanpur - 208 012
Tel.: 0512 - 2691293, 2691377

Workshop 2 :

122/236, A-1 & C-1, Fazalganj,
Near Sangam Talkies, Kanpur - 208012
Mob.: 8009461111

★ **Romi Motors Pvt. Ltd.****Showroom :**

14/63, Civil Lines, Kanpur - 208 001
Tel.: 0512 - 3224703

Workshop :

120/192 (4), Lajpat Nagar, Near Mariampur Crossing,
Kanpur - 208 012
Tel.: 0512 - 3224701 / 3224702

LUCKNOW★ **Megha Auto (I) Pvt. Ltd.****Showroom & Workshop :**

Mishipur Depot, Near Sanatan Cold
Storage, Kursi Road, Lucknow - 226 026
Tel.: 0522 - 2890631

Showroom & Workshop 2 :

10/CP/5, Ring Road, Vikasnagar,
Opp Jagrani Hospital, Lucknow - 226 020
Tel.: 0522 - 4057999 / 4007977 / 2330180

MATHURA★ **Kalyan Auto Sales****Showroom & Workshop :**

NH-2, Agra-Mathura Road, Mathura
Mob. : 9927000967

MEERUT★ **Vardajyoti Automobiles Pvt. Ltd.****Showroom & Workshop :**

Madhuban Cinema Bldg., Madhuban Colony,
Baghpath Road, Meerut - 250 002
Tel.: 0121 - 2404005 -08
Fax: 0121 - 2404009

MORADABAD★ **Sigma Motors****Showroom & Workshop :**

Opposite Radhakrishna Mandir, Delhi Road, Moradabad
Mob.: 09927066611

MIRZAPUR★ **Saraswati Industries****Showroom & Workshop :**

Pili Kothi, Station Road, Mirzapur - 231001
Tel.: 05442 - 223923

NOIDA★ **Shiva Motors****Showroom 1:**

Center Stage Mall, Sector 18, Noida
Tel.: 0120 - 3376661/64

Showroom 2:

G-24, Sector 11, Noida - 210301
Tel.: 0120 - 3920150 / 158

Workshop :

C-80/81A, Sector - 8, Noida
Tel.: 0120 - 3359807 / 813

SAHARANPUR★ **DPM Autosales****Showroom & Workshop :**

Ambala Road, Near Badi Nahar, Saharanpur
Tel. : 0135 - 2640877

VARANASI★ **Eldee Motors****Showroom & Workshop :**

38/46 E, Rehman Nivas, Mehmoorganj, Varanasi
Tel.: 0542 - 3293429, 9305218380, 9336002532

STATE - UTTARAKHAND**ALMORA**★ **Analysis Motors****Showroom :**

Shyam Complex, Lower Mall Road,
Kholta, Almora - 263 601
Mob.: 9720773001

DEHRADUN★ **DPM Autosales****Showroom & Workshop :**

Mohabewala Industrial Area, Saharanpur Road, Dehradun
Tel.: 0135 - 2642051 / 52 / 53
Fax: 0135 - 2642054

HALDWANI★ **Analysis Motors****Showroom:**

Bareilly Road, Moti Nagar Crossing, Haldwani
Mob.: 9258071041

Workshop :

7.5km Stone, Gora Padav, Bareilly Road, Haldwani - 263 641
Tel.: 05946 - 232050

STATE - JAMMU & KASHMIR**JAMMU**★ **K. C. Motors****Showroom & Workshop :**

NH-1, Bypass Road, Jammu - 180 004
Tel.: 0191 - 2465769 / 59, 2460829
Fax: 0191 - 2476660

★ **SRINAGAR****K. C. Motors****Showroom & Workshop :**

By Pass Road, Hyderpora, Srinagar - 190 014
Tel.: 0194 - 2443188

WEST ZONE

STATE - GOA

- VASCO-DA-GAMA**
★ **Subrai Motors Pvt. Ltd.**
Showroom & Workshop :
F L Gomes Road, Vasco-Da-Gama,
Goa - 403 802
Tel.: 0832 - 2517421 / 22
Fax: 0832 - 2513924

STATE - GUJARAT

- AHMEDABAD**
★ **Gallops Motors Pvt. Ltd.**
Showroom & Workshop :
Near JCB Service Station, S.G. Highway,
Sarkhej, Ahmedabad - 380 015
Tel.: 079 - 2474346, 39835544, 39835501
Fax: 079 - 39835588

Showroom 2 :
A/8,9,10,11,12,13 & 14,
Radhe Shopping Mall, Khokhra,
Maninagar, Ahmedabad
Tel.: 079 - 32941862 / 32440235

Workshop 2:
Opp. Amraivadi Post Office,
Near Hatkeswar Circle,
Maninagar, Ahmedabad - 380 026
Tel.: 079 - 30486501 / 02 / 03

- **ANAND**
★ **Shree Gopinathji Agencies**
Workshop :
Survey No. 570 - A/2, Near Indira Statue,
Lambhavel Road, Anand - 388 001
Tel.: 02692 - 247979 / 247878

- ★ **BARDOLI**
★ **Empire Motors**
Showroom & Workshop :
Near Tulsi Hotel, Opp. CNG pump,
Surat - Bardoli Road, Bardoli, Distt. Surat, Bardoli
Tel.: 02622 - 225454, 228585

- ★ **BHARUCH**
★ **Shree Gopinathji Agencies**
Showroom & Workshop:
Beside K.U & Company Petrol Pump,
NH-8, Village Vadadala, Bharuch - 392 015
Tel.: 02642 - 654245, 291303, 654845
Telefax: 02642 - 231584

- ★ **BHAVNAGAR**
★ **V Raj Motors**
Showroom & Workshop :
Plot No. 150, Near Press Quarter,
Opp. Maruti Showroom, Bhavnagar-Rajkot
Road, Chitra, Bhavnagar - 364 003
Tel.: 0218 - 2444590, 2444445

- **GANDHIDHAM**
○ **Cargo Motors**
Showroom & Workshop :
NH-8A, Kandla Port Road,
Gandhidham - 370 201
Tel.: 02833 - 654370, 653317, 9825611692

- ★ **GODHRA**
★ **Shree Gopinathji Agencies**
Showroom & Workshop :
Moonlight Cinema Compound,
Vavdi, Godhra - 389 001
Tel.: 2672 - 645828, 265270, 265271

- ★ **HIMMATNAGAR**
★ **Gallops Motors Pvt. Ltd.**
Showroom :
Near Motipura Circle, Opp. S.T. Workshop,
Shamlaji Highway, Himmatnagar - 383 001
Tel.: 02772 - 229525, 229524, 308000, 308001

- ★ **JAM NAGAR**
★ **Gallops Motors Pvt. Ltd.**
Showroom :
Jamnagar - Rajkot highway, Hapa,
Opp. Tata IB Motors, Jamnagar
Tel.: 0288 - 3216060
Workshop :
Jamnagar to Rajkot Highway, 8-Happa, Jamnagar - 320 120
Tel.: 0288 - 3921194-98

- ★ **MEHSANA**
★ **Gallops Motors Pvt. Ltd.**
Showroom & Workshop:
Opp. Wide Angle, Nagalpur Highway,
Mehsana - 384 002
Tel.: 02762 - 241010, 302401/02/06
Fax: 02762 - 245151

- ★ **NAVSARI**
★ **Empire Motors Pvt. Ltd.**
Showroom & Workshop :
National Highway No. 8, Grid Char Rasta,
Near Kabilpore, Navsari - 396 424
Tel.: 02637 - 236161, 291071
Mob.: 9879993000, 9879002231, 9879113451

- ★ **PALANPUR**
★ **Gallops Motors Pvt. Ltd.**
Showroom & Workshop :
Survey No. 525/1, Palanpur - Delhi Highway,
Near Palanpur - Deesa Char Rasta, Palanpur - 385001

- ★ **RAJKOT**
★ **Gallops Motors Pvt. Ltd.**
Showroom & Workshop :
Survey No. 219/220, Opp. Parin furniture,
Next to Jay Ganesh, AT & PO,
Kotharia Gondal Highway, Rajkot - 360 003
Tel.: 0281 - 3205151, 2370006 / 8 / 9 / 10, 3983400, 3983407

- ★ **SURAT**
★ **Empire Motors Pvt. Ltd.**
Showroom & Workshop :
Opp. Goverdhanath Temple,
Surat Dumas Road, Piplod, Surat - 395 007
Tel : 0261 - 3091000/1100/1200/1001/1002/1003/1140
Fax: 0261 - 3091121

- ★ **Nanavati Motors**
Showroom & Workshop :
Mahavir Nagar, Puna Kuombharia Road,
Puna Char Rasta, Opp. City Plaza Complex,
Surat - 395 010, Gujrat
Tel.: 0261 - 2640233 / 34
Fax: 0261 - 2647771

★ **SURENDRA NAGAR**
Gallops Motors Pvt. Ltd.
Showroom & Workshop :
Plot No. 267, GIDC Vadivan, Opp. Market Yards,
Near Rekha Bearings, Surendra Nagar
Tel. : 02752 - 321542 - 43

VAPI
★ **Desai Automobiles**
Showroom & Workshop :
At & Po : Balitha, Near Woodland Hotel,
National Highway No. 8,
Taluka Pardi, Vapi, Valsad - 395 015
Tel.: 0260 - 6531783, 2400250 - 51
Fax: 0260 - 2426525

VADODARA
★ **Shri GopinathJi Agencies**
Showroom & Workshop:
Opp. Gujarat Elec. Board Sub Station,
(Near Prakuti Resort), Chhani,
Baroda - 390002
Tel.: 0265 - 2761105 / 06

Showroom & Workshop 2:
R. S. No. 7, Opp. Atladra Railway Station,
Atladra, Vadodara - 390 012
Tel.: 0265 - 2681050, 1060, 0187, 1010, 1020
Fax: 0265 - 2681050, 2354984

Showroom & Workshop 3:
3/A, Sahajanand Industrial Estate,
Munjmahuda, Akota, Vadodara - 390 020
Tel.: 0265 - 2681010, 2681020, 2359898, 2334109
Fax: 0265 - 2681050, 2681060

STATE - MADHYA PRADESH

BHOPAL
★ **Super Cars Ltd.**
Showroom & Workshop :
Plot No. 21 Sector G, Govindpura Industrial Area,
J.K. Road, Bhopal - 462 021
Tel.: 0755 - 4028400, 4228201
Fax: 0755 - 4228203

★ **Varenayam Motors**
Showroom & Workshop :
189, Angoori Bagh, Jinsi Road, Bhopal - 462008
Tel.: 0755 - 2575288 / 299 / 300
Fax: 0755 - 2579918

CHHINDWARA
★ **Sunshine Motors**
Showroom & Workshop :
College Road, Lalbagh, Chhindwara - 480001
Tel.: 0716 - 244125, 321567, 244193/194
Fax : 0716 - 244126

GWALIOR
★ **Sumedha Vehicles Pvt. Ltd.**
Showroom & Workshop :
Opp. Jhansi Road Police Station,
Jhansi Road, Gwalior - 474 009
Tel.: 0751 - 2422067, 4015789, 3291856
Fax: 0751 - 2348024

INDORE
★ **Super Cars Ltd.**
Showroom :
Saket Tower - 3A, Ratlam Kothi, Near Geeta Bhavan Square,
AB Road, Indore - 452 001
Tel.: 0731 - 4700053, 54
Telefax: 0731 - 4700052

Workshop :
49, United Compound,
Iasudiya Mori, Dewas Naka, Indore.
Tel.: 0731 - 470055, 56, 57
Fax: 0731 - 470054

JABALPUR
★ **Oriental Motors**
Showroom & Workshop :
497, Karmeta, Near Padwar Kala,
Katangee Bye Pass Road, Jabalpur - 482 003
Tel.: 0761 - 3250007, 3260002, 3250003, 3290001
Fax: 0761 - 4027011

RATLAM
★ **Super Cars Ltd.**
Showroom & Workshop :
Jaora Road, Near RTO Office, Ratlam - 457001
Tel. : 07412 - 260040

SATNA
★ **Oriental Motors**
Showroom :
Virat Nagar Colony, Pateri, Panna Road, Satna - 485001
Tel. : 07672 - 229495

Workshop :
27, Industrial Area Near Union Floor, Rewa Road,
Satna - 485001
Tel. : 7672 - 252763

STATE - MAHARASHTRA

AKOLA
★ **Star Motors**
Showroom & Workshop :
9/1, Geeta Nagar Near, Alankar Petrol Pump, Akola - 444005

★ **AMRAVATI**
Star Motors
Showroom :
Plot No. 8, Navathe Square Bandnera Road, Amravati

AURANGABAD
★ **Soham Motors Pvt. Ltd.**
Showroom & Workshop :
Plot No. 2 & 3, N-2, Mukundwadi, Airport Road,
Aurangabad - 431 003
Tel.: 0240 - 6603769, 6503769

Workshop 2:
Plot No. 28 & 29, MIDC Chikalathana, Aurangabad
Tel.: 0240 - 2489411, 2474342 - 6

AHMEDNAGAR
★ **Saideep Cars Pvt. Ltd.**
Showroom & Workshop :
Survey No. 55/1B/2/1, Nagar Manmad
Road, Ahmednagar - 414 111
Tel. : 0241 - 2779225 - 7
Fax : 0241 - 2779228

DHULE
★ **Jitendra Wheels Pvt. Ltd.**
Showroom & Workshop :
P-62, Behind Hotel Manas, MIDC Avdhan, Dhule - 424 001
Tel.: 02562 - 281222 / 232

★ **JALGAON**
Soham Motors Pvt. Ltd.
Showroom & Workshop :
Auto Nagar, Jalgaon - Bhusawal Road, Jalgaon
Tel.: 0257-2238051, 2270085

★ **KOLHAPUR**
Unique Automobiles
Showroom & Workshop :
122/1, Pulachi Shiroli, Opp. Sangli Phata,
Kolhapur - 416 122
Tel.: 0230 - 2461518 - 19
Fax : 0230 - 2461520

Showroom 2 :
Ayodhya Park, Opp. Sangam Talkies,
Kavala Naka, Kolhapur - 416 001
Tel.: 0231 - 2535315, 2535425
Fax : 0231 - 2535615

★ **MUMBAI**
Ashtavinayak Auto Pvt. Ltd.
Showroom :
D Mall, Off Veera Desai Road, Andheri (West),
Mumbai - 400053
Tel.: 022 - 66488888
Fax: 022 - 66488880

Workshop 1:
Plot No. 67, Naik Brass & Iron Works
Charkop Industrial Estate, Kandivali (West),
Mumbai - 400067
Tel.: 022 - 28673171, 28673175
Fax : 022 - 28675070

Workshop 2:
Ram Mandir Road, Somani Gram,
Next to Central Warehouse Corporation,
Oshiwara, Goregaon (West), Mumbai - 400051
Tel.: 022 - 26765555

★ **AVK Automart Pvt. Ltd.**
Showroom 1 :
Poonam Heights, Near Goregaon Flyover,
S.V. Road, Goregaon (West), Mumbai - 400 062
Tel.: 022 - 67088888
Fax: 022 - 67088880

Showroom 2:
Shop No. 8-12, Girishma Garden, Vasai,
Thane Dist., Mumbai - 401208
Tel. : 95250 - 3219888 / 444

Workshop 1:
Fida Hussain Industrial Estate,
Near Samrat Hotel, Pandurang Wadi Road,
Mira Road (West), Mumbai - 401104
Tel.: 022 - 28453178, 28455507, 28453564

★ **Nikhil Automobiles Pvt. Ltd.**
Showroom & Workshop 1 :
A 70, TTC Industry Area, Thane Belapur Road,
Kharghar, Near ICI Color Company,
Khoparkaine West, Navi Mumbai - 400709
Tel.: 022 - 27780801, 40708888
Fax: 022 - 40708899, 27780805

Showroom 2 :
264-265, Vaswani Chambers,
Opp. Old Passport Office,
Pravhadevi, Mumbai - 400025
Tel.: 022 - 434594444, 24221711-12
Fax: 022 - 24222713

Workshop 2:
c/o Bharat Tiles & Marbles Ltd.,
Jaibhimmagar, Dharukhana Road, Reay Road (East),
Near Sujala Hotel, Mumbai-400010
Tel.: 022 - 64560303, 23774514 / 15 / 16
Fax: 022 - 23774505

Workshop 3:
Plot No. D - 238 -A, TTC Industrial Area,
MIDC Shiravane, Nerul, Navi Mumbai - 400706
Tel. : 022 - 43448800

★ **KSM Auto Works India Pvt. Ltd.**
Showroom:
Everest Chambers, Marol Naka, (Near Star TV)
Andheri Kurla Rd, Andheri (East), Mumbai - 400059
Tel.: 022 - 61333111
Fax : 022 - 61333131

Workshop:
11, Cama Industrial Estate, Goregaon (E), Mumbai - 400063
Tel.: 022 - 61333777

○ **MULTIPLASTICS**
ORIX Auto
Workshop:
Plot No.94, Marol Co-op.Industrial estate, Andheri (E)
022 - 4962444 ,4965818

★ **Gian Motors**
Showroom:
Om - Trimuthi Towers, Sion Trombay Road,
Chunabhatti, Mumbai - 400022
Tel.: 022 - 2405 4056 / 57
Fax. 022 - 2405 5365

Workshop :
Gowala Compound, LBS Road,
Opp. Fauziya Hospital, Kurla (W), Mumbai - 400070
Tel.: 9664496644
Fax: 022 - 2504 2611

★ **NASIK**
Jitendra Wheels Pvt. Ltd.
Showroom & Workshop :
B-88, Arihant Plaza, MIDC, Ambad,
Next to Hotel Taj, Mumbai - Agra Highway,
Nasik - 422 010
Tel.: 0253 - 2384432 / 632 / 832, 6636666, 6637777
Fax: 0253 - 2384532

★ **NAGPUR**
Star Motors
Showroom & Workshop :
44 / 4, Wahajara, Kamptee Road, NH - 7 Nagpur - 440 026
Tel.: 0712 - 6507836, 6507837, 6507916,6461503 / 04
Fax: 0712 - 2632429

★ **NANDED**
Bafna Automotives
Showroom & Workshop :
Gut No. 235, Pimpalgaon (Mahadeo),
Nanded - Akola Road, Nanded - 431 607
Tel.: 02462 - 274069 / 652099, 311102

PUNE
★ **Pashankar Auto Wheels Pvt. Ltd.**
Showroom & Workshop 1:
S.N. 45/1, 10/1, Katraj - Dehuroad Bypass Highway,
Baner, Pune - 411 015
Tel.: 020 - 66210000 / 27293777 / 888 / 999
Fax: 020 - 66210099 / 25657755

Showroom 2 :

The FORUM, Survey No.62/2B,
Plot No.9, Pune Satara Road, Pune - 411 009
Tel.: 020 - 24225113 / 4
Fax: 020 - 24225112

Showroom 3 :

Plot No: G-187, Block G, Thermax Chowk,
MIDC, Chinchwad, Pune - 411 019
Tel.: 020 - 66354747
Fax: 020 - 66354700

Workshop 2 :

21/2B,Kashinath Patil Nagar,
Dhankawadi, Pune Satara Road,
Near Akshay Veg, Pune - 411 043
Tel.: 020 - 24361205 / 06 / 07

★ **Singh Cycle & Motor Co.****Showroom 1:**

S. No. 38/4, Krishna Complex,
Hadapsar Bypass Road, Near Radisson Hotel,
Kharadi, Pune - 411 014
Tel.: 020 - 32419385 / 32319526

Showroom 2:

ICC Trade Centre, Showroom No. 4,
Survey No. 403 A/2, Senapati Bapat Road, Pune - 411016
Tel. : 020 - 25666941/2/3/4

Workshop :

Reality Warehousing Pvt. Ltd., Gate No. 1337 / 1,
Pune Nagar, Wagholi, Pune - 412 307
Tel.: 020 - 46609999

SATARA★ **Unique Automobiles****Showroom & Workshop :**

41, Mutha Colony, Sadar Bazar, Satara - 416 002
Mob.: 09623225299

SOLAPUR★ **Gandhi Wheels****Showroom & Workshop :**

bale Pune Road, Solapur - 413 001
Tel.: 0217 - 2629400, 2735831

SANGLI★ **Unique Automobiles****Showroom :**

442-3,Kulkarni Complex, 100 feet road,
South Sivaji Nagar, Sangli - 416416
Tel. : 0233 - 2326544
Fax : 0233 - 2326594

Workshop :

Kulkarni Complex,100 Feet Road,
Near MSEB Sub-Station, Sangli - 416 416
Tel. : 0233 - 2326544
Fax : 0233 - 2326594

THANE★ **SC Auto Corporation****Showroom:**

Modi House, Opp. to LIC Building, Naupada,
Eastern Express Highway, Thane (West), Thane - 400 602
Tel.: 022 - 67610000
Fax : 022 - 67610209

Workshop :

Pioneer Estate Corporation, 133-134, Pokhran Road
No.2, Opp. Oswal Park, Thane (West) - 400601
Tel.: 022 - 66040000
Fax : 022 - 66040102

STATE - CHATTISGARH**BHILAI**★ **Vardhaman Motors****Showroom :**

Chauhan Plaza, Sutela, Bhilai, Distt Durg
Tel. : 0788 -3245924

BILASPUR★ **Vardhaman Motors****Showroom & Workshop :**

Uslapur, Mungeli Road, Bilaspur
Tel. : 07752 - 217935, 217934, 643547

RAIPUR★ **Vardhaman Motors****Showroom & Workshop :**

9/1, Mahoba Bazar, GE Road, NH-6,
Kumhari Dist - Durg, Raipur - 492 001
Tel. : 07821 - 247070 / 73 / 76

Showroom 2 :

V Plaza, Ring Road,
Near Panchmeri Naka,
Priyadarshini Nagar,
Raipur - 492 0011

SOUTH ZONE

STATE - ANDAMAN & NICOBAR

PORTBLAIR

★ **Group Engineers**

Showroom:

Prem Nagar Junction, (SY No 1394/1),

Haddo PostPort Blair - 744102

03192 - 230301

03192 - 242901

Workshop :

Opp Womens Working Hostel, Dollygunj,

Port Blair, Junglight Post, Portblair - 744103

03192 - 253044 / 253011

STATE - ANDHRA PRADESH

ANANTPUR

★ **Dheeraj Motors**

Showroom & Workshop :

Survey No. 239/2C & 241/1C,

Kakkapali Gram Panchayat,

Opp. Sakshi News Paper Office, Anantapur - 515001

GUNTUR

★ **Fusion Motors**

Showroom & Workshop :

Plot No. 296 & 297, Opp. Sarvani Diesel

Enginnering, Autonagar Main Road,

Autonagar, Guntur - 522001

Tel.: 0863 - 6454545

HYDERABAD

○ **AP Auto Service (BPCL)**

Workshop :

Nalgonda X Roads, Malakpet, Hyderabad

★ **Kun Automobiles (P) Ltd.**

Showroom 1:

House No. 1-3-1045, Viceroy Hotel Lane,

Kawadiguda Road, Hyderabad - 500 080

Tel.: 040 - 27532385 - 89

Fax: 040 - 27532384

Showroom & Workshop 2 :

Plot No. 74, Snehapuri Colony,

Near Andhra Bank, Nagole Main Road,

Nagole, Hyderabad - 500 035

Tel.: 040 - 24220013, 44886666, 44886767, 44886700 / 01

Fax: 040 - 24220313

Showroom 3 :

Plot No.3 & 4, Ravi Colony, Main Road,

Kondapur, Hyderabad - 500084

Tel.: 040 - 45469999 / 89/ 79 / 69

Fax: 040 - 45469959

Workshop 3 :

1-8-670, Azamabad, RTC 'X' Road, Hyderabad - 500 020

Tel.: 040 - 27668678 / 27668761

Fax: 040 - 27668632

Workshop 4 :

Plot No.21, Mini Industrial Estate,

Hafeezpet Road, Kondapur, Hyderabad - 500049

Tel.: 040 - 31906677

★ **Orange Auto Pvt. Ltd.**

Showroom 1 :

6-3-249/3, Abhinandan Towers,

Road No. 1, Banjara Hills, Hyderabad - 500 034

Tel.: 040 - 66515555

Fax: 040 - 66469999

Workshop 1 :

B-45/46, Industrial Estate,

Near Andhra Bank Sanatnagar, Hyderabad - 500 018

Tel.: 040 - 66265555 / 66269999

Showroom & Workshop 2 :

16-2-705/1/1, Malakpet,

Opp. Srukrupa Market, Hyderabad - 500 036

Tel.: 040 - 66815555

Fax: 040 - 66179999

Showroom & Workshop 3 :

A2, Balanagar Techno Craft Industrial Estate,

Balanagar, Hyderabad - 500037

Tel. :040 - 23721111

Fax : 040 - 23729999

KARIMNAGAR

★ **Kun Automobiles (P) Ltd.**

Showroom & Workshop :

M.No.8-6-128, Kothi Rampur,

Hyderabad Highway Road, Karim Nagar - 505 001

Tel.: 0878 - 2276633 / 9885520022

Fax: 0878 - 2276633

KURNOOL

★ **Dheeraj Motors**

Showroom :

Survey No. 133/1a & 131/1, NH-7,

Near Eenadu Press Office, Kurnool - 518 004

Tel.: 08518 - 253777

Fax: 08518 - 251777

Workshop :

N.H-7 Road, Near APSP 2nd Battalion,

Ballary Chowrasta, Kurnool - 518004

Tel. : 8518 - 253777

NELLORE

★ **Indivar Motors**

Showroom & Workshop :

Plot No. 28, Door No. 26/2/1777,

Wood Complex, Vedayapalem,

Nellore - 524 004

Tel.: 0861 - 2338117 / 2339117

RAJAHMUNDRY

★ **Orange Auto Pvt. Ltd.**

Showroom & Workshop :

D. No. 82-10-2, Venkateswara Nagar,

Near Lalacheruvu, Near ONGC Complex,

NH-5 Road, Rajahmundry - 533103

Tel.: 0883 - 6575555 / 6580888

○ **SECUNDRABAD**

University Filling Station (BPCL)

Workshop :

Tarnaka 'X' Roads, Secunderabad

★ **TIRUPATHI**
Indivar Motors
Showroom & Workshop :
D.No. 11-37/1, Near Cotton Mill Gate,
Renigunta Road, Tirupathi - 517 501
Tel.: 0877 - 6456117 / 2239117
Fax: 0877 - 2239114

★ **VISHAKAPATNAM**
Orange Auto Pvt. Ltd.
Showroom 1 :
D. No. 4-46-12, G.K. Mansiom,
Pedawaltier, Vishakapatnam - 530 017
Tel.: 0891 - 2572222, 4444
Fax: 0891 - 6645555

Showroom 2 :
Shop No. 1, Maurya Chambers,
Murli Nagar, NH-5, Vishakhapatnam - 530 008
Tel.: 0891 - 2702222

Workshop :
A-4, Unit Industrial Estate,
V.B.C. Industries, Viskahapatnam - 530 008
Tel. : 0891 - 2521234, 2733090, 6589271

★ **VIJAYWADA**
Fusion Motors
Showroom :
Fusion Towers, 36-12-2, Opposite to Siddhartha
Public School, Moghul Rajapuram,
Vijayawada - 520010
Tel.: 0866-6645555 / 9603123666
Fax: 0866 - 6645592

Workshop :
Opposite to Fusion Towers, 36-12-2,
Near Siddhartha Public School, Moghul
Rajapuram, Vijayawada - 520010
Tel.: 0866 - 6645593 / 94, 9603123777

★ **WARANGAL**
Kun Automobiles (P) Ltd.
Showroom :
Door No. 15-2-4-1-1 & 15-2-4
Mulugu Cross, Warangal - 506 007
Tel.: 0870 - 2421955
Fax: 0870 - 2421955

Workshop :
H. No. 23-6-132, Hunter Road,
Opp. Citizens Club, Warangal
Tel.: 0870 - 2523377 / 88 / 99
Fax : 0870 - 2523399

STATE - KARNATAKA

★ **BANGALORE**
Frontline Automobiles
Workshop :
36/2 - A, Pattangere Main Road,
Next to R.R. Nagar RTO, Mysore Road,
Bangalore - 560 059
Tel.: 080 - 28603884 / 28605550

★ **Kropex India Ltd.**
Showroom & Workshop :
49/1, Singasandara, Hosur Main Road,
Bangalore - 560 068
Tel.: 080 - 43574357
Fax: 080 - 43574353

Showroom 2:
#7/1, Binnamangala, 100 Feet Road, 1st Stage,
Indira Nagar, Bangalore, Karnataka - 560038
Tel. : 080 - 42019013
Fax : 080 - 42019216

★ **Trident Automobiles Pvt. Ltd.**
Showroom 1:
No. 122/1, C. Shankar Reddy Layout,
Kalyan Nagar, Outer Ring Road,
Bangalore - 560 043
Tel.: 080 - 43430300
Fax : 080 - 43430308

Showroom 2 :
No. 300 A - 70, 36th Cross, 10th Main,
5th Block, Jay Nagar, Bangalore - 560041
Tel.: 080 - 42542999

Workshop :
141 Part - I, 6 B Main Road, HRBR Layout, 2nd Block,
Kalyan Nagar, Outer Ring Road, Bangalore - 43
Tel.: 080 - 43430500
Fax : 080 - 43430517

★ **BELGAUM**
Bellad Enterprises Pvt. Ltd.
Showroom & Workshop :
Shri Krishna Weaving Mill Compound,
Venguaral Road, Vijaya Nagar, Belgaum - 591 108
Tel.: 0831 - 2449556 / 557, 6514911
Fax: 0831 - 2472209

★ **BELLARY**
Bellad Enterprises Pvt. Ltd.
Showroom & Workshop :
Near Bellary Rolling Mills,
Anantpur Road, Bellary - 583 101
Tel.: 08392 - 261234 / 5
Fax: 08392 - 261235

★ **GULBARGA**
VKG Motor World
Showroom & Workshop :
Plot 1&2, Survey No116/2, Behind Mahendrakar
Complex, Kapnoor Humnabad Road, Gulbarga - 585104
Tel. : 08472 - 224555
Fax: 08472 - 258019

HUBLI
★ **Bellad Enterprises Pvt. Ltd.**
Showroom & Workshop :
Opp. NGEF, Rayapura, Dharwad,
P. B. Road, Hubli - 580 025
Tel.: 0836 - 2218338 / 39
Telefax: 0836 - 2218337

★ **MANGALORE**
Frontline Automobiles
Showroom & Workshop :
NH-17, Kullur, Mangalore - 575 013
Tel.: 0824 - 2453091, 2453162, 2453092
Telefax: 0824 - 2459391

★ **MYSORE**
Trident Automobiles Pvt. Ltd.
Showroom & Workshop :
No. 201 / 1 & 2, Hunsur Road,
Hinkal Village, Mysore - 570 017
Tel.: 0821 - 4240500 - 16
Fax: 0821 - 4241899

★ **SHIMOGA**
Frontline Automobiles
Showroom & Workshop :
Shankar Muth Road, Shimoga - 577 201
Tel.: 08182 - 229099
Fax: 08182 - 229098

★ **UDUPI**
Frontline Automobiles
Showroom :
Shekinah Manor, D. No. 10-47-A1,
Near Laxmi Venkatesh Temple, NH-17,
Ambagilu, Puttur, Santhekatte Post, Udupi - 576 105
Tel.: 0820 - 2581999
Fax: 0820 - 2583801

Workshop :
NH-17, Behind IOCL Fuel Station,
Katapady, Udupi - 574 105

STATE - KERALA

★ **ALLEPPEY**
Geeyam Motors Pvt. Ltd.
Showroom :
Koorayil Annex, Opp. Bhattathiripurayidom,
Near MCH Junction, Alappuzha, Alleppey - 688 001
Tel.: 0477 - 2238501

★ **CALICUT**
German Motors
Showroom & Workshop :
118-A, Chungam Junction, West Hill, Calicut - 673 005
Tel.: 0495 - 2383680 / 81, 2383770 / 71
Fax: 0495 - 3041100, 2381909

★ **COCHIN**
Geeyam Motors Pvt. Ltd.
Showroom & Workshop :
11/336, NH-47 Bye Pass, Nettor P.O.,
Ermakulam, Cochin - 682 304
Tel.: 0484 - 2703245 - 49, 3097100, 3097101
Fax: 0484 - 2703244

Showroom 2 :
33/2440B, Geetanjali Junction, NH Bypass
Chakkaraparambu, Cochin - 682 032
Tel.: 0484 - 2343146

★ **CHALAKKUDY**
Geeyam Motors Pvt. Ltd.
Showroom :
IX/461A, B, Panampilly College, NH-47, Potta,
Chalakkudy - 680722
Tel.: 0480 - 2705125, 2705123

★ **KANJRAPALLI**
Geeyam Motors Pvt. Ltd.
Showroom :
Nr. AK JM School, K K Road, Kanjirappally (Kottayam Dt.)
Tel. : 0482 - 8201616

★ **KANNUR**
German Motors
Showroom & Workshop :
BP6-14A, Valappattanam, Kannur - 670 010
Tel: 0497 - 2774466-67, 3057200
Fax: 0497 - 27744666, 3057200

★ **KASARGOD**
German Motors
Showroom & Workshop :
15/89B, Citizen Nagar, Chengala,
Kasargod - 671 123
Tel.: 04994 - 302200 - 10
Fax: 04994 - 302211

★ **KAYAKULAM**
Geeyam Motors Pvt. Ltd.
Showroom & Workshop :
NH-47, Near MSM College, Kayakulam - 690 502
Telefax: 0479 - 2446650

★ **KODANGULUR**
Geeyam Motors Pvt. Ltd.
Showroom :
XII/ 121.122, Opp. Medicare Hospital,
Kottapuram PO, TKS Puram, Kodungalur - 680667
Tel.: 0480 - 2803561 / 62

★ **KOTAYYAM**
Geeyam Motors Pvt. Ltd.
Showroom & Workshop :
Karithas Junction, Thellakom P.O., Kotayyam - 686 016
Tel.: 0481 - 2792203
Fax: 0481 - 2792383

★ **KOLLAM**
Deedi Motors
Showroom :
Post Office Junction, Pallimukku, Kollam - 691 010
Tel.: 0474 - 3257777 / 2725959
Fax: 0474 - 2725900

Workshop :
Cantonment, North Nagar, Pullikada, Kollam - 691 001
Tel.: 0474 - 2750010 / 11

★ **KOTAIKAL**
German Motors
Showroom & Workshop :
Near Matrabhoomi, Kotaikal

★ **MUVATTUPUZHA**
Geeyam Motors Pvt. Ltd.
Showroom :
Mackar Plaza, EEC Market Road, PNB Junction,
Muvattupuzha - 686673
Tel.: 0485 - 606600, 2835272 / 73
Fax : 0485 - 2832554

Workshop :
902/903, Opp. Mackar Plaza,
EEC Market Road, PNB Junction,
Muvattupuzha - 686 673
Tel.: 0485 - 2835272 / 73
Fax: 0485 - 2832554

★ **MUTTUM**
Geeyam Motors
Showroom & Workshop :
SY NO: 70/15, 71/10, Thai Kkattukara P.O, N H Road,
Distt. Aluva, Muttum, Cochin - 683106
Tel. : 0484 - 2632193/94/95/96/97

★ **PERINTHALMANNA**
German Motors
Showroom & Workshop :
AP-IV 664F, Opp. ITC, Tirurkad,
Perinthalmanna - 679 531
Tel.: 04933 - 325060, 237000, 239878
Telefax: 04933 - 2737000

★ **PALAKKAD**
Geeyam Motors
Showroom & Workshop :
Door No. 8/1198, NH Bypass Road,
Chandra Nagar, Palakkad - 678 007
Tel.: 0491 - 2504133
Fax: 0491 - 2504143

★ **PATHANAMTHITTA**
Deedi Motors Pvt. Ltd.
Showroom & Workshop :
Kumbazhethu Buildings, Churulicode P.O.,
Kozhencherry Road, Pathanamthitta - 689 645
Tel.: 0468 - 2272079, 2272080
Fax: 0468 - 2272078

★ **THIRUVALLA**
Deedi Motors Pvt. Ltd.
Showroom :
No. 54/2, Kurusumoottil Buildings,
M C Road, Mazhuvangad, Thiruvalla - 689101
Tel.: 0469 - 2740800

★ **THRISSUR**
Geeyem Motors Pvt. Ltd.
Showroom & Workshop :
14/3-A1, Guruvayoor Road Puzhakkal,
Ayyanthole P.O., Thrissur - 680 003
Tel.: 0487 - 2388945-46, 2388851-52
Fax: 0487 - 2388851

★ **TRIVENDRUM**
Deedi Motors Pvt. Ltd.
Showroom / Workshop :
Erumalathopu, N.H. Bye pass Road, Venpalvattom,
Anayara P.O., Trivendrum - 695 029
Tel.: 0471 - 2556006, 3257777, 2558599, 2558499
Fax: 0471 - 2551020

STATE - PONDICHERRY

★ **PONDICHERRY**
Aakash Automobiles
Showroom :
No. 1, Sounderrajan, 100 ft. Road, Sounder Rajan Nagar,
Mudaliarpet, Pondicherry - 605 004
Tel.: 0413 - 2204400
Fax : 0413 - 2204033

Workshop :
No:23, 9th Cross, Metupallyam,
Industrial Estate, Pondicherry - 605009
Tel. : 0413-2279900

STATE - TAMIL NADU

★ **CHENNAI**
Sundaram Motors
Showroom & Workshop :
180, Anna salai Road, Chennai - 600 006
Tel.: 044 - 28579203 / 28 / 32
Fax : 044 - 28579210

★ **Khivraj Motors**
Showroom :
No. 132, Chamiers Road, Nandanam, Chennai - 600018
Tel. : 044 - 30255868
Fax : 044 - 30253455

Workshop :
135, Perungudi Developed Industrial Estates, Pergungudi,
Rajiv Gandhi Salai (OMR) Chennai - 600094
Tel. : 9042820000

★ **KLN Motors Agencies Pvt. Ltd.**
Showroom 1:
Old No. 861, New No. 232,
Poonamallee High Road, Kilpauk,
Chennai - 600 010
Tel: 044 - 23452937 / 38
Telefax : 044 - 23452936

Workshop 1 :
Shop No. 50, SIDCO Industrial Area,
Ambattur, Chennai - 600 058
Tel.: 044 - 23452930 - 32

Showroom & Workshop 2 :
No:8-NP.Developed Plot,
Guindy Industrial Estate, Ekkattuthangal,
Near Kasi Theatre, Chennai - 600097
Tel.: 044 - 23458941 / 42

★ **COIMBATORE**
Annamallais Agencies (P) Ltd.
Showroom :
252, Mettupalayam Road, Coimbatore - 641 043
Tel.: 0422 - 2435555 / 2432999
Fax: 0422 - 2446151

Workshop :
249A, Mettupalayam Bye Pass Road,
Coimbatore-641043
Tel.: 0422 - 2433444

★ **Pressana Automobile**
Showroom :
No. 1987, Trichy Main Road,
LCT Complex, Coimbatore - 641005
Tel. : 0422 - 4041111

Workshop :
505/1, Sowaripalayam Main Road,
Ramanathapuram, Coimbatore - 641045
Tel. : 0422 - 4051111

★ **ERODE**
Pressana Automobile
Showroom & Workshop :
No.1, ChinnaKadu Thottam,
Veerapampalayam, Dhindal P.O., Erode - 638 012
Tel.: 0424 - 2276046 / 47
Fax : 0424 - 2276048

★ **HOSUR**
Thrive Cars
Showroom & Workshop :
2, Rajappa Mudaliar Building,
NH-7, Krishnagiri, Bangalore Bypass Road, Hosur
Tel.: 04344 - 644588

Workshop 2:
2/2, 1E, Balaji Nagar, Rayakottai Road,
Opp. to LUK India, Hosur - 635109
Tel. : 04344 - 291033

★ **MADURAI**
ARAS Motors (P) Ltd.
Showroom :
35/1, Dindigul National Highway,
Near A. R. C. Parcel Service, Villangudi,
Madurai - 625 018.
Tel.: 0452 - 2669617, 3091917
Fax: 0452 - 2669618

Workshop :
Plot No : 64 & 68, Thiruvallavanallur Post,
National Highway No :7,
Opp Arokya Milk Processing Unit,
Nagari, Madurai - 625221
Tel.: 0452 - 2463612 / 13 / 14

★ **NAGERCOIL**
AR.A.S. Motors (P) Ltd.
Showroom & Workshop:
2/86, Tirunelveli Main road,
Ozhuginasery, Nagercoil - 629001
Tel: 04652 - 644664 (Showroom)
04652 - 272443 (Workshop)

★ **NAMAKAL**
Thriive Cars
Showroom :
5/58, Salem Main Road, Namakal
Tel.: 04286 - 275603

Workshop :
276/85, Tiruchengode Main Road,
Opp. Old Lakshmi Kalyana Mandapam,
Namakkak - 637001

★ **PUDUKUTTAI**
Jayaraj Karz
Showroom & Workshop :
5915/1, KhalifNagar, Thirumayam Road,
Pudukottai - 622001
Tel. : 04322 - 262223

SALEM
★ **Thriive Cars**
Showroom & Workshop :
1116, Salem Chennai Highway Road,
Near Holy Cross, Hr. Sec. School,
Ammapet, Salem - 636 014
Tel.: 0427 - 2242603
Fax: 0427 - 2242604

TRICHY
★ **Jayaraj Karz**
Showroom & Workshop :
Madurai Main Road, Panjapur,
Trichy - 620 012
Tel.: 0431 - 2906420 / 6541207
Fax: 0431 - 2202187

★ **THIRUNELVELLI**
A.R.A.S. Motors (P) Ltd.
Showroom & Workshop :
1183/3, National Highway Jothipuram,
Konganthanparai, Thirunelveli - 627 007
Tel.: 0462 - 2551070, 3269638
Fax: 0462 - 2554111

★ **TIRUPUR**
Annamallais Agencies Pvt. Ltd.
Showroom :
ERP Layout, Thottypalayam village,
Chikkanaicken Arts, College Road,
Tirupur - 641 602
Tel.: 0421 - 2234555

Workshop :
No. 17/1, Angeripalayam Road,
Teachers Colony, 1st Street,
Thottipalayam Village, Tirupur - 641 602
Mob.: 9994433164

○ **THANJAVUR**
Jayaraj Karz
Showroom & Workshop :
Pudukottai Bye – Pass Road, Thanjavur
Tel.: 04362 - 226452

★ **VELLORE**
Sundaram Motors
Showroom & Workshop :
RS No. 210 / 1 & 211 / 1B
Bangalore Road, Konavattam, Vellore - 632 013
Tel. : 0416 - 2291667 / 57
Fax : 0416 - 2290869

EAST ZONE

STATE - ARUNACHAL PRADESH

ITANAGAR

- ★ **Sango Motors**
Showroom & Workshop :
NH-52A, Near Shiv Mandir, 6 Km
Between Nahalagun, Dist. Papumpare
Itanagar, Arunachal Pradesh - 791 110
Tel.: 0360 - 2001166 / 67, 2033153

STATE - ASSAM

BONGAIGAON

- ★ **Raj N Dibyani Automobiles**
Showroom & Workshop :
Near Lower Assam Hospital, Chapaguri Road,
North Bongaigaon, Bongaigaon
Tel.: 03664 - 231890, 230545

DIBRUGARH

- ★ **Pashupati Traders**
Showroom & Workshop :
P. N. Road, Chiring Chapori, Dibrugarh - 786 001
Tel.: 0373 - 2323281
Telefax: 0373 - 2323296

GUWAHATI

- ★ **Radiant Motors Pvt. Ltd.**
Showroom & Workshop :
NH-37, Beltola Lakhra Road,
Nalapara, Sarusajai, Guwahati - 781 028
Tel.: 0361- 2740439 / 440 / 456 / 435
Fax: 0361 - 2541617

JORHAT

- ★ **Radiant Motors Pvt. Ltd.**
Showroom & Workshop :
NH 37, Pulibor, A.T. Road,
Opp. Pulibor Police State, Jorhat - 785 006
Tel.: 0376 - 2372151
Telefax: 0376 - 2370129

SHIBSAGAR

- ★ **Pashupati Traders**
Showroom & Workshop :
KPM Chariali, Shivasagar, Shivasagar - 785640
Tel. : 03772 - 220082 / 88

SILCHAR

- ★ **Smart Motors Pvt. Ltd.**
Showroom & Workshop :
NH-54, Ramnagar, Silchar - 788008
Tel. : 03842 - 268701, 9207042806

STATE - BIHAR

BEGUSARAI

- ★ **Pandey Motors Pvt. Ltd.**
Workshop :
N.H. 31, Sushil Nagar,
Near Relaince Petrol Pump, Begusarai

MUZAFARPUR

- ★ **Pandey Motors Pvt. Ltd.**
Showroom & Workshop :
Mithila Body Builders, NH-18,
Bhagwanpur, Muzafarpur - 842 001
Tel.: 0621 - 2252762

PATNA

- ★ **Pandey Motors Pvt. Ltd.**
Showroom 1:
Pandey Plaza, Exhibition Road,
Patna - 800 001
Tel.: 0612 - 2205195, 3955491
Fax: 0612 - 2205196

Showroom 2:

Kankarbagh, Bhootnath Road,
Patna - 800 020
Tel.: 0612 - 3958708, 3297110

Workshop :

Bhootnath Road, Sahadurpur,
PS Agamkuan, Patna - 800 020
Tel.: 0612 - 2341151

GAYA

- ★ **Brijnandan Automobile Pvt. Ltd.**
Showroom & Workshop:
727 Old 1026 / New No. NH - 83,
Near BMP - 3, Gaya - 823004
Tel. : 0631 -2200131

PURNEA

- ★ **Hare Krishna Motors Pvt. Ltd.**
Showroom & Workshop :
Damka Chowk, NH - 31, Gulabagh, Purnea - 854326
Mob.: 9234323211

STATE - JHARKHAND

BOKARO

- ★ **Power Motors**
Showroom & Workshop :
N-1, City Centre, Sector - 4,
Bokaro Steel City, Bokaro - 827004
Tel. : 0654 2- 233555 / 232977
Fax : 06542 - 232988

DHANBAD

- ★ **Black Diamond Techo Pvt. Ltd.**
Showroom :
Plot No. 2324, Near Vishal Mega Mart,
Saraidhela, Dhanbad - 828 127
Tel.: 0326 - 2224886, 2224892

Workshop :

Tilakraidih, NH-33, P.O. K G Ashram,
Near Govindpur, Dhanbad - 828 109
Tel. : 0326 - 24010630

HAZARIBAGH

- ★ **Laxmi Auto**
Showroom :
NH-33, Ranchi-Patna Road, Hazaribagh -825301
Tel. : 06546 - 222928 / 222929

Workshop :

NH-100, Nawabganj, Hazaribagh - 825301
Tel. : 06546 -222928 / 222929

★ **JAMSHEDPUR**
Narbheram Motors Pvt. Ltd.
Showroom & Workshop :
 M-4, Phase-VI, Adityapur Industrial Area,
 P.O. Gamaria, Jamshedpur - 832 108
 Tel.: 0657 - 3293612, 3297763, 3290649, 6510531
 Telefax: 0657 - 2200532

★ **RANCHI**
Rahul Automobiles Pvt. Ltd.
Showroom:
 Piska More, Ratu Road, Ranchi - 834 005
 Tel.: 0651 - 2510251 / 52

Workshop :
 Ratu Road, Near Kamre Ashram, Ranchi - 834 005
 Tel.: 0651 - 2511558 / 564

STATE - ORISSA

○ **ANGUL**
PMG
Workshop :
 Kulad Nalco Nagar, Angul - 759145
 Tel. : 06764 -220404

○ **BEHRAMPUR**
SHCL
Workshop :
 Padmoshree Cinema Hall, Lakshmi Bazar,
 First Gate, Behrampur- 760006
 Tel. : 0680- 2270611
 Fax : 0680 - 2270911

★ **BHUBANESHWAR**
Venus Auto Works Pvt. Ltd.
Showroom & Workshop :
 A/62, Nayapalli, NH-5, Bhubaneswar - 751 012
 Tel.: 0674 - 2565393 (Showroom)
 Tel.: 0674 - 2564440 (Workshop)
 Telefax: 0674 - 2564858

★ **Super sales Automobiles Pvt. Ltd.**
Showroom & Workshop :
 Plot No-644/2148, NH-5, Pahal,
 Bhubneswar, Dist-khurda - 752101
 Tel. : 0674 - 2463913, 2463914, 6543010 / 11

★ **CUTTACK**
Super Sales Automobiles Pvt. Ltd.
Showroom & Workshop :
 Rudrapur, NH - 5, Pratap Nagri, Cuttack - 753 011
 Tel.: 0671 - 2686878
 Fax: 0671 - 2686889

★ **SAMBALPUR**
Bharat Motors
Showroom & Workshop :
 9, Industrial Estate, New Central School,
 Bariapali, Sambalpur - 768 002
 Tel.: 0663 - 2402736, 2405286
 Fax: 0663 - 2585894

STATE - WEST BENGAL

★ **ASANSOL**
Shailla Autotech
Showroom & Workshop :
 NH-2, Chanda More, Asansol - 713 339
 Telefax: 0341 - 2343704 / 705

★ **HOWRAH**
Priti Motor Udyog (P) LTD
Showroom & Workshop :
 112 Salkia School Road, Howrah - 711 106
 Tel.: 033 - 26751916 / 18
 Fax : 033 - 26751917

○ **JAIGAON**
Balaji Motors
Workshop :
 Near Durga Hyundai, Daragaon, Jaigaon - 736 182
 Tel.: 03566 - 265501

★ **KOLKATA**
India Automobiles Ltd.
Showroom :
 12, Government Place East, Kolkata - 700 069
 Tel.: 033 - 22131100, 215839
 Fax : 033 - 22208077

Workshop :
 2, Justice Chandra Madhav Road, Kolkata - 700 020
 Tel.: 033 - 2454 5566 / 2454 5577

★ **Speed Auto Tech Pvt. Ltd.,**
Showroom :
 "The Meridian", Kazi Nazrul Islam Sarani,
 (VIP Road), Kolkata - 700 059
 Tel.: 033 - 25007915 - 9
 Fax: 033 - 40150824

Workshop :
 241/2B, APC Road, Opp. Khanna Cinema,
 Kolkata - 700 004
 Tel.: 033 - 25551370 / 72 / 73 / 74, 25552509

★ **Dulichand Motors Pvt. Ltd.**
Showroom :
 "Shrachi Towers", 686 Anandapur,
 E.M. Bypass, Near Ruby Hospital, Kolkatta - 700 107
 Tel.: 033 - 24431801 - 02, 40141616
 Fax: 033 - 40141624

Workshop :
 5/51, Jagatipota, Ahalya Nagar,
 Opp. Jagatipota Kisan Market, Kolkatta - 700 099
 Tel.: 033 - 40161718, 24264224, 24264214

★ **Devansh Auto Sales Pvt. Ltd.**
Showroom :
 2/3, ground floor Judges Court Road,
 Divine Bliss, Kolkata - 700027
 Tel. : 033 40129233

Workshop :
 49, DC Dey Road, Lane Beside Silver Sprin,
 E M By-Pass Road, Kolkata - 700015
 Tel. : 033 - 23296666

○ **Longia Motors Pvt. Ltd.**
Workshop 1 :
 15/1D, Sahanagar Road,
 (Near Rashbehari Avenue Crossing), Kolkatta - 700 046
 Tel.: 033 - 66270100 / 119
 Fax : 033 - 66270121

Workshop 2 :
 Rampur Budge, Mahesh Tal, 24 Paragnas, Kolkata - 700 141
 Tel.: 033 - 66270205 / 222
 Fax: 033 - 66270206

- ★ **SILIGURI**
Kaysons Automotive Pvt. Ltd.
Showroom & Workshop :
IIIrd Mile, Checkpost,
Opp. New Eastern Bypass Road,
Sevoke Road, Siliguri - 734 401.
Tel.: 0353 - 2544533 - 35, 2777723
Fax: 0353 - 2544456

STATE - MANIPUR

- ★ **IMPHAL**
Rajpri Enterprise
Showroom & Workshop :
Chigmeirong Mamang Leikai,
Imphal East, Imphal - 795 001
Tel.: 0385 - 2421183

STATE - NAGALAND

- ★ **DIMAPUR**
Urban Station
Showroom & Workshop :
NSC Petrol Pump, NH-39,
6th Mile, Kohima Road, Dimapur, Nagaland - 797 112
Tel.: 03862 - 240994, 240992

STATE - TRIPURA

- ★ **AGARTALA**
Sri Krishna Automobiles
Showroom & Workshop :
Plot No. 4612 & 4615, Shanihani,
Airport Road, Agartala, Tripura West - 799 001
Tel.: 0381 - 2342566

STATE - MEGHALAYA

- ★ **SHILLONG**
DH Royal Cars
Showroom & Workshop :
Parkview, Fire Brigade,
Shillong - 793 014
Tel.: 0364 - 2520481, 2520477

STATE - SIKKIM

- ★ **GANGTOK**
GEN X Motors
Showroom :
5th Mile, Jhordhara, Tadong, Gangtok - 737 102
Tel.: 03592 - 202515
Fax : 03592 - 203171

Workshop :
C/o Garima Enterprise, P.S. Road, Gangtok - 737 101
Tel.: 03592 - 202515

STATE - MIZORAM

- ★ **AIZAWL**
Highland
Showroom & Workshop :
A-L Road, Zemabawk, Aizawl - 796017
Tel. : 0389 - 2351916

INTERNATIONAL

NEPAL

- ★ **Vijaya Motors Pvt. Ltd.**
Showroom & Workshop :
Naxal, Bhagwati Bahal Marg - 1,
P.O. Box No. 5062, Kathmandu, Nepal
Tel.: 00-97-1-4-4414625, 4-4433205
Fax: 00-97-1-4-4433294

Showroom 2 :

United Traders Syndicate (P) Ltd.,
Sinamangal Tinkunhe, P.O. Box No. 233,
Kathmandu, Nepal

BANGLADESH

- ★ **Khansons Automobiles Ltd.**
Showroom & Workshop :
Sena Kalyan Bhaban (10th floor),
195, Motijheel C/A, Dhaka, Bangladesh
Tel.: 088-02-9552337 / 9551100 / 9552368
Fax: 088-02 9564883

SRI LANKA

- ★ **Mag City Motor Company Pvt. Ltd.**
Showroom & Workshop :
No. 320A, Darley Road,
Colombo - 10, Sri Lanka
Tel.: 0094777410407

BHUTAN

- ★ **Global Traders**
Showroom :
Lkahlham, Changgankha,
Thimphu, Bhutan

Workshop :

Post Box No. 1037, Olarongcchu,
Thimphu, Bhutan



General Motors India Pvt. Ltd.

All information, illustrations and specifications contained in this Owner's Manual are based on the latest production information available at the time of publication. The right is reserved to make changes at any time without notice.

Regd. Office / Works : Chandrapura Industrial Estate, Halol - 389 351.

Dist. Panchmahals, Gujarat, India. Phone : 91 2676 221000

Marketing Office / Customer Assistance : Plot No. 15, Echelon Institutional Area,

Sector 32, Gurgaon - 122001, Haryana, India. Tel. : 0124 - 3080000

24 Hr. Helpline at 30308080

Part No. : 28283507

Revision No. 00

Revision Date

01/2012/1,000