

Pankaj Narula

Executive Director (Service)



Dear Sir/Madam,

Thank you for your patronage of Maruti Vehicle. I am sure that our dealer must have taken good care while delivering the vehicle to you.

We are happy to inform you that your vehicle is equipped with the state of the art Multi Point Fuel Injection (MPFI) technology. For getting the best and trouble free performance from your vehicle, we request you to get your vehicle serviced periodically as per the maintenance schedule in the owner's manual, at the Maruti Suzuki Authorised workshops only.

We would request you to contact any of our Authorised Dealers for guidance and assistance for fitment of accessories, as per your requirement. It may be kindly appreciated that tampering of wiring harness for fitment of accessories may cause malfunctioning of MPFI system.

In order to further improve our customer service, I appreciate if you could spare a little time and benefit us with your valuable feedback in the enclosed card.

Thank you once again for having patronized our product and wishing you years of happy driving.

Yours sincerely

A handwritten signature in black ink, appearing to read 'Pankaj Narula'.

(Pankaj Narula)

MARUTI SUZUKI INDIA LIMITED

Palam Gurgaon Road,

Gurgaon-122015

www.marutisuzuki.com

“WARNING”



Vehicle may break-down, meet with an accident or catch fire due to

1. Installation of
 - High wattage bulbs
 - Non genuine lamps / horns
 - Modified suspension / wheels
 - Non genuine parts / accessories etc.
2. Retrofitment of LPG / CNG fuel systems/kits.
3. Usage of domestic LPG.
4. Short circuiting due to tampering of wiring harness.

CAUTION: DO NOT STORE OR CARRY INFLAMMABLE MATERIALS IN THE VEHICLE.



Avoid driving into or starting the vehicle in a heavily water logged area. Vehicle may break-down or engine may fail due to

1. Water entry into the engine.
2. Short circuiting of the electrical systems.

**NOTE:
IF THE VEHICLE IS SUBMERGED IN WATER, DO NOT CRANK/START THE VEHICLE.
REPORT TO THE NEAREST AUTHORIZED WORKSHOP.**

“CAUTION”

1. Retro-fitment of LPG / CNG kit may deteriorate vehicle performance, reduce engine & engine related component's life and also warranty will be null and void for such vehicles.
2. Do not use domestic LPG/LPG cylinder for your factory fitted LPG vehicles.
3. Usage of domestic LPG for running vehicles is prohibited as per law.
4. Do not remove company fitted LPG/CNG kit to install some other kit. It may affect vehicle performance and may cause fire.
5. Drive slowly on wet roads. Tires may slip while braking at higher speeds due to aquaplaning. (reduced contact area between tire and road due to presence of water)
6. Do not leave engine running in garages or confined areas, with passengers inside. This may result in accumulation of carbon-monoxide in cabin and may lead to suffocation or breathing problems.
7. Do not park vehicle on dry leaves or grass. This may lead to fire due to hot catalytic converter, igniting the dry leaves/grass.
8. If the vehicle is equipped with CNG/LPG, ensure availability of fire extinguisher in the vehicle all the time.
9. Always wear seat belt at all the times.
10. Do not use mobile phone while driving.
11. Avoid Smoking in the car, live bud thrown in car may cause fire.
12. Do not put any body part under the vehicle when it is supported on a Jack.
13. Do not use non-genuine accessories in your vehicle.
14. Do not fit accessories from unauthorized workshops/sources.
15. Usage of non-approved electrical accessories in your vehicle may result in spark, fire or personal injury.

FEEDBACK CARD
ALTO 800 - STD / LX / LXI

Customer Name: _____
 Address: _____
 Phone(s): _____
 Chassis No. _____ Engine No. _____ Delivery Date : _____
 Delivery Dealer Name: _____ Code: _____

	ANY PROBLEMS FACED WITH THE VEHICLE (upto 1 st Service) if yes please give details of defect	Date of visit to workshop	Problem resolved YES / NO
1.			<input type="checkbox"/> YES <input type="checkbox"/> NO
2.			<input type="checkbox"/> YES <input type="checkbox"/> NO
3.			<input type="checkbox"/> YES <input type="checkbox"/> NO
4.			<input type="checkbox"/> YES <input type="checkbox"/> NO
5.			<input type="checkbox"/> YES <input type="checkbox"/> NO

Service Dealer Name: _____ Workshop location: _____

2. EXPERIENCE WHILE TAKING DELIVERY FROM SHOW ROOM

- Hospitality

EXCELLENT	<input type="checkbox"/>	GOOD	<input type="checkbox"/>	FAIR	<input type="checkbox"/>	POOR	<input type="checkbox"/>
-----------	--------------------------	------	--------------------------	------	--------------------------	------	--------------------------
- Clear explanation by dealer's staff on operation, features and maintenance of the vehicle

EXCELLENT	<input type="checkbox"/>	GOOD	<input type="checkbox"/>	FAIR	<input type="checkbox"/>	POOR	<input type="checkbox"/>
-----------	--------------------------	------	--------------------------	------	--------------------------	------	--------------------------
- Cleanliness of vehicle at delivery

EXCELLENT	<input type="checkbox"/>	GOOD	<input type="checkbox"/>	FAIR	<input type="checkbox"/>	POOR	<input type="checkbox"/>
-----------	--------------------------	------	--------------------------	------	--------------------------	------	--------------------------
- Was there any undue delay in handling over your vehicle on the day of delivery

YES	<input type="checkbox"/>	NO	<input type="checkbox"/>
-----	--------------------------	----	--------------------------

008
ALTO

Suggestions if any

Fold

Postage
will be
paid by
Addressee

Business Reply INLAND

Permit No. L/BRP/INLAND
GURGAON

No Postage
necessary
if posted
in INDIA

TO **PANKAJ NARULA**
EXECUTIVE DIRECTOR (SERVICE)
MARUTI SUZUKI INDIA LIMITED
PALAM GURGAON ROAD
GURGAON - 122 015
(HARYANA)

Fold & Paste

TABLE OF CONTENTS

VEHICLE DETAILS	1
WARRANTY POLICY	2
FUEL RECOMMENDATION	3
BEFORE DRIVING	4
OPERATING YOUR VEHICLE	5
DRIVING TIPS	6
OTHER CONTROLS AND EQUIPMENT	7
VEHICLE LOADING AND TOWING	8
INSPECTION AND MAINTENANCE	9
EMERGENCY SERVICE	10
APPEARANCE CARE	11
GENERAL INFORMATION	12
SPECIFICATION	13

FOREWORD

This manual should be considered a permanent part of the vehicle and should remain with the vehicle when resold or otherwise transferred to a new owner or operator. Please read this manual carefully before operating your new MARUTI SUZUKI and review the manual from time to time. It contains important information on safety, operation and maintenance.

MARUTI SUZUKI INDIA LIMITED

All information in this manual is based on the latest product information available at the time of publication. Due to improvements or other changes, there may be discrepancies between information in this manual and your vehicle. MARUTI SUZUKI INDIA LIMITED reserves the right to make production changes at any time, without notice and without incurring any obligation to make the same or similar changes to vehicles previously built or sold.

This vehicle may not comply with standards or regulations of other countries. Before attempting to register this vehicle in any other country, check all applicable regulations and make any necessary modifications.

IMPORTANT

▲WARNING/ ▲CAUTION/ NOTICE/ NOTE

Please read this manual and follow its instructions carefully. To emphasize special information, the symbol **▲** and the words **WARNING, CAUTION, NOTICE** and **NOTE** have special meanings. Pay particular attention to messages highlighted by these signal words:

▲ WARNING

Indicates a potential hazard that could result in death or serious injury.

▲ CAUTION

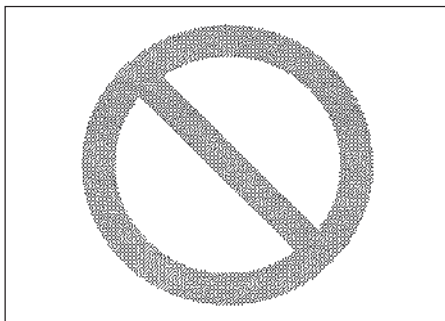
Indicates a potential hazard that could result in minor or moderate injury.

NOTICE

Indicates a potential hazard that could result in vehicle damage.

NOTE:

Indicates special information to make maintenance easier or instructions clearer.



MH0-00-001

The circle with a slash in this manual means “Don’t do this” or “Don’t let this happen”.

MODIFICATION WARNING

▲ WARNING

Do not modify this vehicle. Modification could adversely affect safety, handling, performance, or durability and may violate governmental regulations. In addition, damage or performance problems resulting from modification may not be covered under warranty.

NOTICE

Improper installation of mobile communication equipment such as cellular telephones or CB (Citizen’s Band) radios may cause electronic interference with your vehicle’s ignition system, resulting in vehicle performance problems. Consult your MARUTI SUZUKI dealer or qualified service technician for advice on installing such mobile communication equipment.

VEHICLE DETAILS

1

MODEL	CHASSIS NO.	ENGINE NO.	KEY NO.	DATE OF DELIVERY	ODOMETER READING (KM)	BATTERY	
						MAKE	SR. NO./BATCH CODE

OWNER'S NAME & ADDRESS _____
 _____ TEL. NO. _____

ADDRESS/STAMP OF SELLING DEALER	SELLING DEALER CODE
SHOWROOM	
	IMPORTANT INFORMATION TO CUSTOMER
WORKSHOP	<p>Dear Customer For any assistance with regard to our product, please contact General Manager/Works Manager at any of our Dealer or Authorised Service Station. For additional enquiry you may contact our Regional office or Service Division. The Addresses and Phone nos. are given in Service Network booklet provided along with vehicle.</p>

MAINTENANCE SERVICE RECORD

MH0-74E

MAINTENANCE SERVICE RECORD

DATE OF SERVICE	KIND OF SERVICE	MILEAGE (km)	DESCRIPTION OF JOB	NAME OF SERVICING DEALER/MASS	JOB CARD NO.	MECHANIC'S SIGNATURE

F....free Service P....Paid Service W....Warranty. A....Accident

WARRANTY POLICY

Maruti Suzuki India Limited (hereinafter called "Maruti Suzuki"), warrants that each new Maruti Suzuki vehicle distributed in India by Maruti Suzuki and sold by an authorised Maruti Suzuki dealer will be free, under normal use and service, from any defects in material and workmanship at the time of manufacture SUBJECT TO THE FOLLOWING TERMS AND CONDITIONS:

(1) Qualification:

To qualify for this warranty:

- (a) The Maruti Suzuki vehicle must be delivered by Maruti Suzuki authorised dealer and set-up, serviced by Maruti Suzuki authorised dealer/service station.
- (b) The warranty registration card in respect of each vehicle must be completed by the dealer at the time of delivery of the vehicle and dealer should retain the same.

(2) Term:

The term of the warranty shall be twenty four (24) months or 40,000 kilometers (whichever occurs first) from the date of delivery to the first owner.

(3) Maruti Suzuki's Warranty Obligation:

If any defect(s) should be found in a Maruti Suzuki vehicle within the term stipulated above, Maruti Suzuki's only obligation is to repair or replace at its sole discretion any part shown to be defective, with a new part or the equivalent at no cost to the owner for parts or labour, when Maruti Suzuki acknowledges that such a defect is attributable to faulty material or workmanship at the time of manufacture. The owner is responsible for any repair or replacements which are

not covered by this warranty.

(4) Limitation:

This warranty shall not apply to:

- (1) normal maintenance service required other than the three free services, including without limitation, oil and fluid changes, headlight aiming, fastener retightening, wheel balancing, wheel alignment and tyre rotation, cleaning of injectors, adjustments of carburettor, ignition timing, clutch and valve clearance.
- (2) the replacement of normal wear parts including without limitation, bulbs, tyres and tubes, spark plugs, belts, hoses, filters, wiper blades, brushes, contact points, fuses, clutch disc, brake shoes, brake pads, cable and all rubber parts (except oil seal and glass run).
- (3) any vehicle which has been used for competition or racing.
- (4) any repairs or replacement required as a result of accidents or collision.
- (5) any defects caused by misuse, negligence, abnormal use or insufficient care.
- (6) any vehicle which has been modified or altered, including without limitation, the installation of performance accessories.
- (7) any vehicle on which parts or accessories not approved by Maruti Suzuki have been used.
- (8) any vehicle which has not been operated in accordance with the operating instructions in the Maruti Suzuki Owner's Manual.
- (9) any vehicle which has not received, during the warranty term, the service inspections prescribed in the Maruti Suzuki Owner's Manual.
- (10) any vehicle which has been assembled, disassembled, adjusted or repaired by other than an Maruti Suzuki authorised dealer/service station.

- (11) any vehicle which has been used for purposes other than what it was designed for.
- (12) any damage or deterioration caused by industrial pollution and bird droppings.
- (13) insignificant defects which do not affect the function of the vehicle including without limitation, sound, vibration and fluid seep.
- (14) any natural wear and tear including without limitation, aging etc.
- (15) Installation and usage of Domestic LPG Gas/LPG cylinder.
- (16) V-belts, hoses and gas leaks (For Maruti Suzuki AC vehicle).
- (17) Any vehicle retrofitted with LPG / CNG kits.

(5) Extent of Warranty:

This warranty is the entire written warranty given by Maruti Suzuki for Maruti Suzuki vehicles and no dealer or its or his agent or employee is authorised to extend or enlarge this warranty and no dealer or its or his agent or employee is authorised to make any oral warranty on Maruti Suzuki's behalf.

Maruti Suzuki reserves the right to add any improvements or change the design of any model at any time with no obligation to make the same changes on units previously sold.

(6) Warranty Service:

To obtain warranty service, the complete vehicle must be presented at the owner's expenses to any authorised Maruti Suzuki dealer.

(7) Owner's Warranty Responsibilities:

It is responsibility of each owner to:

- (a) make certain that the warranty registration/PDI card was completed at the time of delivery of the vehicle;
- (b) have performed, at his own expenses, by an Maruti Suzuki authorised dealer/service station all the service inspections specified in the Maruti Suzuki "Owner's Manual and Service Booklet" and maintain adequate proof that such service inspections have been performed.
- (c) make certain that the Maruti Suzuki authorised dealer/service station performing the service inspection has certified the work on the "Maintenance Service Record" page in the "Owner's Manual and Service Booklet" and
- (d) present the Maruti Suzuki "Owner's Manual and Service Booklet" to the authorised Maruti Suzuki dealer whenever requesting service inspections or warranty service.

If the "Owner's Manual and Service Booklet" should be lost or destroyed the owner should consult the authorised Maruti Suzuki dealer from whom the vehicle was purchased for instructions concerning replacement of the "Owner's Manual and Service Booklet".

(8) Disclaimer of Consequential Damage:

Maruti Suzuki assumes no responsibility for loss of vehicle, loss of time, inconvenience or any other indirect incidental or consequential damage resulting from the vehicle not being available to the owner because of any defect covered by this warranty.

(9) Change of Owner

Even if ownership of the vehicle changes, the remaining warranty period is effective for the new owner.

EMISSION WARRANTY

Maruti Suzuki offers the Emission Warranty on all Maruti Suzuki vehicles (apart from the Regular warranty and will run parallel to the regular product warranty) only in four metropolitan cities (**New Delhi, Kolkata, Mumbai and Chennai**) with effect from **July 1st, 2001**.

Terms:

The Emission Warranty will be applicable for **80,000 kms or 3 years** (Which ever comes earlier) from the date of delivery to the first owner. The remaining warranty terms will be valid in case of any change in ownership provided the production of all valid document.

Conditions:

1. Under Emission Warranty, Warranty claims will be admitted for a prima facie examination, in case vehicle fails to meet to the Emission Standard as specified in sub rule (2) of rule no. 115 of Central Motor Vehicles Rules (CMVR), 1989.
2. The warranty claims will only be accepted after examination carried out by Maruti Suzuki or it's dealer which leads to firm conclusions that the
 - a) Original settings have not been tempered in any case.
 - b) Part (as given in Annexure-A) has a manufacturing defect.
 - c) Vehicle is unable to meet the Emission Standards (as given in 1.), inspite of the vehicle having been maintained and used in accordance with the instructions as specified in Owner's Manual and Service Booklet and the used fuel and different oils (Engine oil, Transmission oil, Brake oil etc.) are also as per specification.
3. The method of examination for deciding the warranty of the parts will be at the sole discretion of Maruti Suzuki and it's dealer and results of the examination will be final and binding. If after examination, the warrantable condition is not established, Maruti Suzuki and it's dealer has the right to charge all, or part of the cost of such examination.
4. Under Emission Warranty, the parts (as given in Annexure-A) will be changed free of cost, but the consumables will be charged as per actual.
5. If the part covered under Emission Warranty or the associated parts, are not independently replaceable, on account of these being integral parts a complete assembly, Maruti Suzuki and it's dealer will have the sole discretion to replace entire assembly or by using some of the parts of the system through suitable repair or modifications.

6. Any consequential repairs or replacement of parts which may be found necessary to establish compliance of Emission Warranty, will not be considered under warranty, unless the same is under product warranty. The consumable will be charged as per actual under such repair or replacement.
7. Maruti Suzuki will not be responsible for the cost of transportation of the vehicle to the nearest Maruti Suzuki dealer workshop or any loss due to non-availability of the vehicle during the period of lodging of a warranty claim and examination and/or repair by Maruti Suzuki dealer.
8. Maruti Suzuki will not be responsible for any penalty that may be charged by statutory authorities on account of failure to comply with the EMISSION STANDARDS.
9. Emission Warranty will not be affected on the change of owner, provided all the documents are available.
10. All maintenance actions (as specified in the Owner's Manual and Service Booklet) need to be followed and recorded in the manual for emission warranty.
11. The customer needs to produce the PUC (Pollution Under Control) certificate valid for the period preceding the test during which the failure is discovered. The receipts (for the maintenance of the vehicle as per specification in Owner's Manual and Service Booklet from the date of original purchase of the vehicle) will also be required.

Condition Under which the Emission Warranty is not APPLICABLE

1. In the absence of valid PUC certificate.
2. Vehicle not serviced from Maruti Suzuki authorised workshop as per the schedule specified in the Owner's Manual.
3. Vehicle subjected to abnormal use (accident, motor race, rallies or for the purpose of establishing the records etc.)
4. Use of non MGP (Maruti Genuine Part).
5. Vehicle tempered in an unauthorised manner.
6. Tampering with odometer so that the actual kilometer reading can not be read.
7. Use of adulterated fuel and/or unspecified oils (Engine oil, Transmission oil and Brake oil etc.)

Annexure-A

List of parts covered under Emission Warranty

1. Fuel injection Assembly, Pressure Regulator, Throttle Body Assembly.
2. Electronic Control Module (ECM).
3. Intake Manifold.
4. EGR valve.
5. Distributor and internal parts.
6. Ignitions coil.
7. Canister Assembly.
8. Vapour Liquid Separator.
9. Fuel Tank and Filler Cap.
10. PCV (Positive Crankcase Ventilation) Valve.
11. Oil Filler Cap.
12. Catalytic Convertor.
13. Exhaust manifold.
14. All fuel injection System related SENSORS.
15. High Pressure Fuel Pump.
16. Glow Plug.
17. Glow Plug Controller.
18. Maniverter

1ST. FREE INSPECTION COUPON (CUSTOMER'S COPY) (1,000 KM or 1 MONTH)

WHICHEVER COMES FIRST
 JOB MARK: ✓ : Checked OK, A: Adjust, C: Clean, T: Tighten, R: Replace or Change, L: Lubricate

1. ENGINE

1. Water pump/Alternator belt tension (Adjust)
2. Engine Coolant (Level, Leakage)
3. Engine Oil & Oil Filter (Replace)
4. Cooling System hoses & connections (Leakage, Damage)

JOB

2. FUEL

1. Fuel filter, Fuel tank cap, Fuel lines and connections (Leakage)
2. All CNG Joints (Inspect) (Leakage)

3. CLUTCH AND TRANSMISSION

1. Clutch pedal (Play)
2. Clutch slipping (Dragging, Damage)
3. Transmission/Differential/Transfer Oil (Level, Leakage)
4. Gear Shifter Cable (operation)

4. BRAKE

1. Brake fluid (Level, Leakage)
2. Brake pedal (Pedal to wall clearance)
3. Parking brake lever (Play)
4. Brake hoses & pipes (Leakage, Damage)
5. Brake shoe to drum clearance (Inspect)

5. WHEEL

1. Tyres (Air pressure, Abnormal wear, damage)
2. Wheels (Inspect)

6. FRONT AND REAR SUSPENSION

1. Struts/shock absorbers (Oil leakage)

7. STEERING

1. Steering wheel (Play)
2. All Rods & Arms (Loose, Damage, Wear)
3. Power Steering System (Operation)
4. Steering gear box (Operation)

8. ELECTRICAL

1. Battery electrolyte (Level, Leakage)
2. Lighting system/horn (Operation)
3. Wiper (Operation)

9. BODY

1. All Latches, Hinges & Locks/Central Locking (Operation)

10. FOR AIR-CONDITIONED VEHICLES

1. Drive belt (Tension)
2. Check functioning of Recirc flap
3. Check all Hose Joints

11. ROADTEST

1. Operation of Brakes, clutch, Gear shifting and Speedometer
2. Body & Chassis noise

COST OF MATERIALS AND CONSUMABLES TO BE BORNE BY CUSTOMER

* MODEL CODES : ALTO-MRF308/319/410/306C, BALENO-MY416, MARUTI 800-MB308, ESTEEM-MF413, MF415D, GYPSY KING-MG413W, OMNI-MT308, VERSA-MGA413, WAGON-R-MRD410, ZEN-MH410/MH415D, SWIFT-RS412/RS413/RS413D, SX-4-RW416/416, GRAND VITARA XL7-JA627, ZEN ESTILO-RK410/310/310C, SWIFT DZIRE-RN412/RN413/RN413D, A-STAR-AMP310, RITZ-A5E412/A5E413D, EECO-MGA412/412C, NEW WAGON-R-1J310/310C, ERTIGA-AVH414/413D, ALTO800 - AOD308/AOD308C.

1ST. FREE INSPECTION COUPON

(DEALER'S COPY) (1,000 KM or 1 MONTH)

Please see overleaf for special instructions

Model Code*					
Chassis No. :					
Engine No. :					
Mileage					
Date of Delivery					
Date of Inspection					
Registration No.					
Service Dealer/Mass Code					
Customer Name					
Address (Please write complete address)					
Telephone No.					

Mechanic's Signature

Service Manager's Signature

Customer's Signature

Stamp of Selling dealer (Code & Full Address)

For Servicing Dealer/Mass

- 1.0 : Please fill up Model codes correctly.
- 2.0 : Please fill up Complete chassis No.
- 3.0 : Please fill up customer details i.e. Address and Telephone No. legibly and correctly for the latest owner.

For Selling Dealer

- 1.0 : Please send all Free Service Coupon to us once in a month after settlement of free service charges.

Service Division
Maruti Suzuki India Limited

Model Code*									
Chassis No. :									
Engine No. :									
Mileage									
Date of Delivery									
Date of Inspection									
Registration No.									
Service Dealer/Mass Code									
Customer Name									
Address (Please write complete address)									
Telephone No.									

<i>Mechanic's Signature</i>
<i>Service Manager's Signature</i>
<i>Customer's Signature</i>

2ND. FREE INSPECTION COUPON (CUSTOMER'S COPY) (5,000 KM or 6 MONTHS)

WHICHEVER COMES FIRST

JOB MARK: √ : Checked OK, A: Adjust, C: Clean, T: Tighten, R: Replace or Change, L: Lubricate

1. ENGINE

1. Water pump/Alternator belt tension (Inspect)
2. Engine Coolant (Level, Leakage)
3. Engine Oil (Level, Leakage)
4. Cooling System hoses & connections (Leakage, Damage)
5. Valve Clearance (Adjust)
6. Exhaust System (Noise, Leakage)
7. PCV System (Hoses, Connections, Valve)

JOB

2. FUEL

1. Air cleaner (Clean)
2. Accelerator cable & Shaft (Inspect & Lubricate)
3. Fuel filter, Fuel tank cap, Fuel lines and connections (Leakage)
4. All CNG Joints (Inspect) (Leakage)

3. CLUTCH AND TRANSMISSION

1. Clutch pedal (Play)
2. Clutch slipping (Dragging, Damage)
3. Transmission Oil/Differential/Transfer oil (Level Leakage)
4. Gear shifter cables (Operation)
5. Drive shaft boots (Damage)

4. BRAKE

1. Brake fluid (Level, Leakage)
2. Brake pedal (Pedal to wall clearance)
3. Parking brake lever (Play)
4. Brake Disc & Pads (Inspect)
5. Brake hoses & pipes (Leakage, Damage)
6. Brake shoe to drum clearance (Inspect)

5. WHEEL

1. Tyres (Air pressure, Abnormal wear, Rotation)
2. Wheels (Inspect)
3. Front/Rear Wheel Bearings (Loose, Damage)

8. FRONT AND REAR SUSPENSION

1. Suspension strut/shock absorber (Oil Leakage)
2. Suspension arms, Knuckle, Rear spring (Damage, Loose)
3. All Nuts & Bolts (Tighten)

JOB

7. STEERING

1. Steering wheel (Play)
2. All Rods & Arms (Loose, Damage, Wear)
3. Power Steering System (Operation)
4. Steering gear box (Operation)

8. ELECTRICAL

1. Battery electrolyte (Level, Leakage)
2. Lighting system/Horn (Operation)
3. Wiring Harness Connections (Looseness)
4. Wiper (Operation)

9. BODY

1. All Latches, Hinges & Locks/Central Locking (Operation/Lubrication)
2. All Chassis nuts & bolts (Inspect)
3. Seat belt (Operation)
4. Seat latch, lever & knob (Operation)

10. FOR AIR-CONDITIONED VEHICLES

1. Drive belt (Tension, Damage)
2. Check functioning of Recirc flap
3. Check all Hose Joints
4. Tighten Compressor Mounting Bolts
5. Clean Condenser with low pressure water

11. ROAD TEST

1. Operation of Brakes, clutch Gear shifting and Speedometer
2. Body & Chassis noise

2ND. FREE INSPECTION COUPON

(DEALER'S COPY) (5,000 KM or 6 MONTHS)

Model Code *					
Chassis No. :					
Engine No. :					
Mileage					
Date of Delivery					
Date of Inspection					
Registration No.					
Service Dealer/Mass Code					

Mechanic's Signature
Service Manager's Signature
Customer's Signature

*MODEL CODES : ALTO-MRF308310/410308C, BALENO-MY416, MARUTI 800-MB308, ESTEEM-MF413, MF418D, GYPSY KING-MG413W, OMNI-MT308, VERSA-MGA413, WAGONR-MRD410, ZEN-MHA10MH416D, SWIFT-RS412RS413/RS413DSX-4-RW416/416, GRAND VITARA XL7-JAS27, ZEN ESTILO-RK410/310/310C, SWIFT DZIRE-RM412RM413/RN413D, A-STAR-AMF310, RITZ-A5E412/A5E413D, EECO-MGA412/412C, NEW WAGONR-A1J310/310C, ERTIGA-AVH414/13D, ALTO800 - AOD308/AOD308C.

COST OF MATERIALS AND CONSUMABLES TO BE BORNE BY CUSTOMER

Stamp of Selling dealer (Code & Full Address)

For Servicing Dealer/Mass

- 1.0 : Please fill up Model codes correctly.
- 2.0 : Please fill up Complete chassis No.
- 3.0 : Please fill up customer details i.e. Address and Telephone No. legibly and correctly for the latest owner.

For Selling Dealer

- 1.0 : Please send all Free Service Coupon to us once in a month after settlement of free service charges.

Service Division
Maruti Suzuki India Limited

Model Code *							
Chassis No. :							
Engine No. :							
Mileage							
Date of Delivery							
Date of Inspection							
Registration No.							
Service Dealer/Mass Code							

<i>Mechanic's Signature</i>
<i>Service Manager's Signature</i>
<i>Customer's Signature</i>

3RD. FREE INSPECTION COUPON (CUSTOMER'S COPY) (10,000 KM or 12 MONTHS)**WHICHEVER COMES FIRST**

JOB MARK: ✓ : Checked OK, A: Adjust, C: Clean, T: Tighten, R: Replace or Change, L: Lubricate

1. ENGINE

1. Water pump/Alternator belt tension (Inspect)
2. Engine Coolant (Level, Leakage)
3. Cooling System hoses & connections (Leakage, Damage)
4. Engine oil & oil filter (Replace)
5. Cylinder head & Manifolds Nuts & Bolts (Tight)
6. Spark plugs (Clean & adjust gap)

JOB

2. FUEL

1. Air cleaner (Clean)
2. Accelerator cable & Shaft (Inspect & Lubricate)
3. Fuel filter, Fuel tank cap, Fuel lines and connections (Leakage)
4. All CNG Joints (Inspect) (Leakage)

3. CLUTCH AND TRANSMISSION

1. Clutch pedal (Play)
2. Clutch slipping (Dragging, Damage)
3. Transmission Oil/Differential/Transfer oil (Level Leakage)
4. Gear Shifter Cables (Operation)
5. Drive shaft boots (Damage)

4. BRAKE

1. Brake fluid (Level, Leakage)
2. Brake pedal (Pedal to wall clearance)
3. Parking brake lever (Play)
4. Brake Disc & Pads (Inspect)
5. Brake hoses & pipes (Leakage, Damage)
6. Brake Drums & Shoes (Inspect)
7. Brake shoe to drum clearance (Inspect)

5. WHEEL

1. Tyres (Air pressure, Abnormal wear, Rotation)
2. Wheels (Inspect)
3. Front/Rear Wheel Bearings (Loose, Damage)

6. FRONT AND REAR SUSPENSION

1. Suspension strut/shock absorber (Oil Leakage)
2. Suspension arms, Knuckle, Rear spring (Damage, Loose)
3. All Nuts & Bolts (Tighten)

JOB

7. STEERING

1. Steering wheel (Play)
2. All Rods & Arms (Loose, Damage, Wear)
3. Power Steering System (Operation)
4. Steering gear box (operation)

8. ELECTRICAL

1. Battery electrolyte (Level, Leakage)
2. Lighting system/Horn (Operation)
3. Wiring Harness Connections (Looseness)
4. Wiper (Operation)

9. BODY

1. All Latches, Hinges & Locks/Central Locking (Operation/Lubrication)
2. All Chassis nuts & bolts (Tighten)
3. Seat belt (operation)
4. Seat latch, lever & knob (operation)

10. FOR AIR-CONDITIONED VEHICLES

1. Drive belt (Tension, Damage)
2. Check functioning of Recirc flap
3. Check all Hose Joints
4. Tighten Compressor Mounting Bolts
5. Clean Condenser with low pressure water

11. ROAD TEST

1. Operation of Brakes, clutch Gear shifting and Speedometer
2. Body & Chassis noise

3RD. FREE INSPECTION COUPON**(DEALER'S COPY) (10,000 KM or 12 MONTHS)**

Model Code*									
Chassis No.:									
Engine No.:									
Mileage									
Date of Delivery									
Date of Inspection									
Registration No.									
Service Dealer/Mass Code									

Mechanic's Signature
Service Manager's Signature
Customer's Signature

*MODEL CODES : ALTO-MRF308/310/410/308C, BALENO-MY116, MARUTI 800-MB308, ESTEEM-MF113, MF118D, GYPSY KING-MG113W, OMNI-MT308, VERSA-MGA113, WAGONR-MRD10, ZEN-MHA10/MH115D, SWIFT-RS412/RS413/RS413DSX-4-RW116/116, GRAND VITARA XL7-JA827, ZEN ESTILO-RKA10/310/310C, SWIFT DZIRE-RM112/RM113/RM113D, A-STAR-AMF310, RITZ-A5E412/A5E413D, EECO-MGA412/412C, NEW WAGONR-A1J16/310C, ERTIGA-AVH14/13D, ALTO800- AOD308/AOD308C.

COST OF MATERIALS AND CONSUMABLES TO BE BORNE BY CUSTOMER

Stamp of Selling dealer (Code & Full Address)

For Servicing Dealer/Mass

- 1.0 : Please fill up Model codes correctly.
- 2.0 : Please fill up Complete chassis No.
- 3.0 : Please fill up customer details i.e. Address and Telephone No. legibly and correctly for the latest owner.

For Selling Dealer

- 1.0 : Please send all Free Service Coupon to us once in a month after settlement of free service charges.

Service Division
Maruti Suzuki India Limited

Model Code *							
Chassis No. :							
Engine No. :							
Mileage							
Date of Delivery							
Date of Inspection							
Registration No.							
Service Dealer/Mass Code							

<i>Mechanic's Signature</i>
<i>Service Manager's Signature</i>
<i>Customer's Signature</i>

FUEL RECOMMENDATION

Fuel Recommendation 3-1

Fuel Recommendation

You must use unleaded gasoline with an octane number (RON) of 91 or higher.

Gasoline/Ethanol blends

Blends of unleaded gasoline and ethanol (grain alcohol), also known as gasohol, are commercially available in some areas. Blends of this type may be used in your vehicle if they are no more than 10% ethanol. Make sure this gasoline-ethanol blend has octane ratings no lower than those recommended for gasoline.

Gasoline/Methanol blends

Blends of unleaded gasoline and methanol (wood alcohol) are also commercially available in some areas. DO NOT USE fuels containing more than 5% methanol under any circumstances. Fuel system damage or vehicle performance problems resulting from the use of such fuels are not the responsibility of MARUTI SUZUKI and may not be covered under the New Vehicle Warranty. Fuels containing 5% or less methanol may be suitable for use in your vehicle if they contain cosolvents and corrosion inhibitors.

NOTE:

If you are not satisfied with the driveability or fuel economy of your vehicle when you are using a gasoline/alcohol blend, you should switch back to unleaded gasoline containing no alcohol.

NOTICE

The fuel tank has an air space to allow for fuel expansion in hot weather. If you continue to add fuel after the filler nozzle has automatically shut off or an initial blowback occurs, the air chamber will become full. Exposure to heat when fully fuelled in this manner will result in leakage due to fuel expansion. To prevent such fuel leakage, stop filling after the filler nozzle has automatically shut off, or when using an alternative non-automatic system, initial vent blowback occurs.

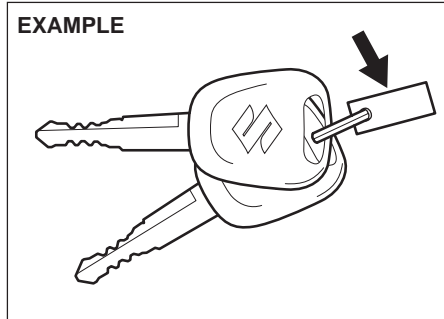
NOTICE

Be careful not to spill fuel containing alcohol while refueling. If fuel is spilled on the vehicle body, wipe it up immediately. Fuels containing alcohol can cause paint damage, which is not covered under the New Vehicle Limited Warranty.

BEFORE DRIVING

Keys	4-1
Door Locks	4-2
Windows	4-3
Mirrors	4-4
Front Seats	4-4
Rear Seats	4-5
Seat Belts and Child Restraint Systems	4-7
Supplemental Restraint System (air bags) (if equipped)	4-13
Instrument Cluster	4-16
Warning and Indicator Lights	4-16
Speedometer	4-19
Fuel Gauge	4-20
Information Display	4-20
Lighting Control Lever	4-22
Headlight Leveling Switch	4-23
Turn Signal Control Lever	4-23
Hazard Warning Switch	4-24
Windshield Wiper and Washer Lever	4-24
Horn	4-25

Keys



MH0-02-001

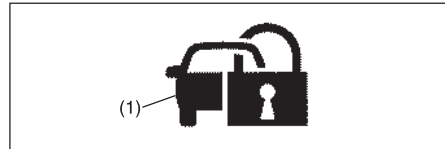
Your vehicle comes with a pair of identical keys. Keep the spare key in a safe place. One key can open all of the locks on the vehicle.

The key identification number is stamped on a metal tag provided with the keys or on the keys. Keep the tag (if equipped) in a safe place. If you lose your keys, you will need this number to have new keys made. Write the number below for your future reference.

Immobilizer System

This system is designed to help prevent vehicle theft by electronically disabling the engine starting system.

The engine can be started only with your vehicle's original immobilizer ignition key which has an electronic identification code programmed into it. The key communicates the identification code to the vehicle when the key is turned to the "ON" position. If you need to make spare keys, see your MARUTI SUZUKI dealer. The vehicle must be programmed with the correct identification code for the spare keys. A key made by an ordinary locksmith will not work.



MH0-02-002

If the immobilizer system light (1) blinks when the ignition switch is in the "ON" position, there may be something wrong with your key or with the immobilizer system. Ask your MARUTI SUZUKI dealer to inspect the system.

NOTE:

- If you lose your immobilizer ignition key, see your MARUTI SUZUKI dealer as soon as possible to have the lost one deactivated, then have the new key made by them.
- If you own other vehicles with immobilizer keys, keep those keys away from the ignition switch when using your MARUTI SUZUKI, or the engine may not be started because they may interfere with your MARUTI SUZUKI's immobilizer system.
- If you attach any metal objects to the immobilizer key, it may not start the engine.

NOTICE

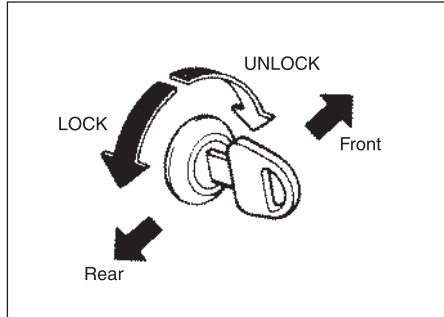
The immobilizer key is a sensitive electronic instrument. To avoid damaging the immobilizer key:

- Do not expose it to impacts, moisture or high temperature such as on the dashboard under direct sunlight.
- Keep the immobilizer key away from magnetic objects.

Door Locks

Side Door Locks

Driver's door



MH0-02-003

To lock a driver's door from outside the vehicle:

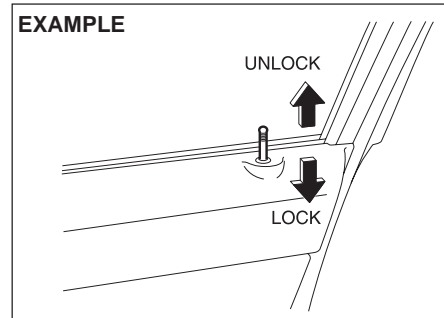
- Insert the key and turn the top of the key toward the rear of the vehicle, or
- Turn the lock knob forward, then pull and hold the door handle as you close the door.

To unlock a driver's door from outside the vehicle, insert the key and turn the top of the key toward the front of the vehicle.

To lock a front passenger's door from outside the vehicle, push the lock knob down, then pull and hold the door handle as you close the door.

17

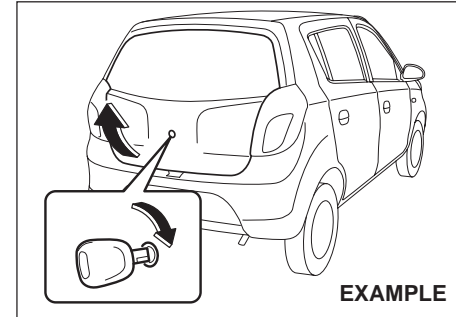
To lock a rear door from outside the vehicle, push the lock knob down and close the door. You do not need to pull and hold the door handle as you close the door.



MH0-02-004

To lock a door from inside the vehicle, push the lock knob down. Pull the lock knob up to unlock the door.

Tailgate

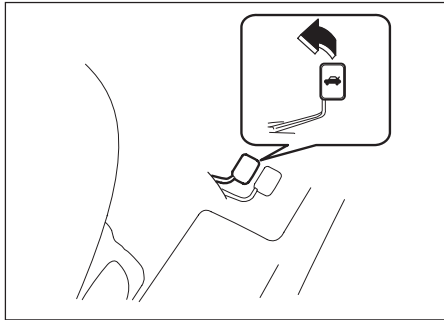


MH0-02-007

To open the tailgate, insert the key and turn it clockwise to unlatch and lift the tailgate.

NOTICE

Do not use the key to lift up the tailgate, or the key may break off in the lock.



MH0-02-008

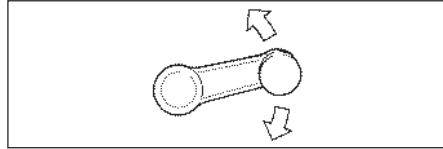
You can also unlatch the tailgate by pulling the release lever (if equipped) located on the outboard side of the driver's seat.

NOTICE

Always make sure that the tailgate is closed and latched securely. Completely closing the tailgate helps prevent occupants from being thrown from the vehicle in the event of an accident. Completely closing it also helps keep exhaust gases from entering the vehicle.

Windows

Manual Window Control (if equipped)

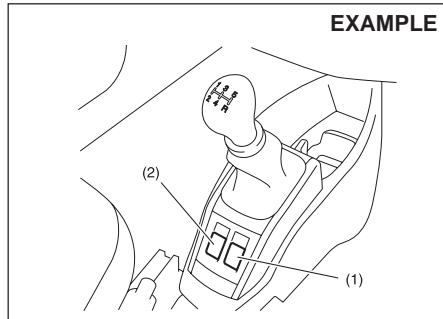


MH0-02-009

Raise or lower the door windows by turning the handle located on the door panel.

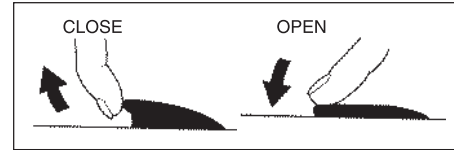
Electric Window Controls (if equipped)

The electric windows can only be operated when the ignition switch is in the "ON" position.



MH0-02-010

The center console has a switch (1) to operate the driver's window, and a switch (2) to operate the front passenger's window.



MH0-02-011

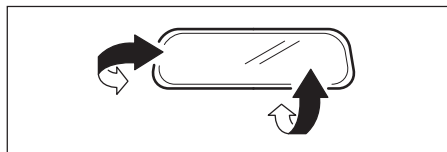
To open a window, push the top part of the switch and to close the window, lift up the top part of the switch.

⚠ WARNING

- To avoid injuring an occupant by window entrapment, be sure no part of the occupant's body such as hands or head is in the path of the electric windows when closing them.
- Always remove the ignition key when leaving the vehicle even if only for a short time. Also do not leave children alone in a parked vehicle. Unattended children could use the electric window switches and get trapped by the window.

NOTE:

If you drive with one of the rear windows open, you may hear a loud sound caused by air vibration. To reduce the sound, open the driver's or front passenger's window, or narrow the rear window opening.

Mirrors**Inside Rearview Mirror**

MH0-02-012

You can adjust the inside rearview mirror by hand so as to see the rear of your vehicle in the mirror.

Outside Rearview Mirrors

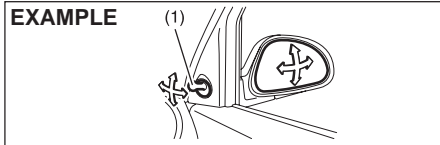
Adjust the outside rearview mirrors so you can just see the side of your vehicle in the mirrors.

⚠ WARNING

Be careful when judging the size or distance of a vehicle or other object seen in the side convex mirror. Be aware that objects look smaller and appear farther away than when seen in a flat mirror.

Type 1**EXAMPLE**

MH0-02-013

Type 2**EXAMPLE**

MH0-02-014

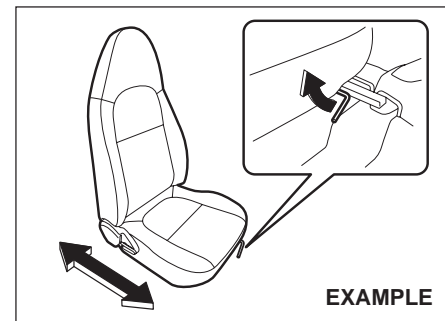
You can adjust the outside rearview mirrors by hand with the knob (1) located on the driver's door panel.

Front Seats**Seat Adjustment****⚠ WARNING**

Never attempt to adjust the driver's seat or seatback while driving. The seat or seatback could move unexpectedly, causing loss of control. Make sure that the driver's seat and seatback are properly adjusted before you start driving.

⚠ WARNING

To avoid excessive seat belt slack, which reduces the effectiveness of the seat belts as a safety device, make sure that the seats are adjusted before the seat belts are fastened.

Adjusting Seat Position**EXAMPLE**

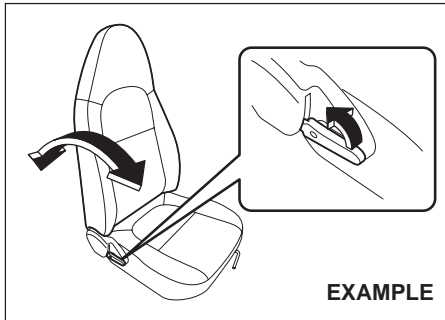
MH0-02-015

The adjustment lever for each front seat is located under the front of the seat. To adjust the seat position, pull up on the adjustment lever and slide the seat forward or rearward.

After adjustment, try to move the seat forward and rearward to ensure that it is securely latched.

Adjusting Seatbacks

⚠ WARNING
 All seatbacks should always be in an upright position when driving, or seat belt effectiveness may be reduced. Seat belts are designed to offer maximum protection when seatbacks are in the upright position.



EXAMPLE

MH0-02-016

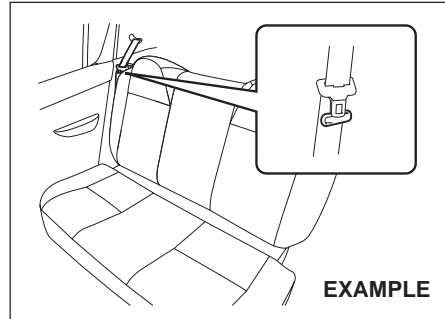
To adjust the seatback angle of front seats, pull up the lever on the outboard side of the seat, move the seatback to the desired position, and release the lever to lock the seatback in place.

Rear Seat

Folding Rear Seat

The rear seat of your vehicle can be folded forward to provide additional cargo space.

To fold the rear seat forward:



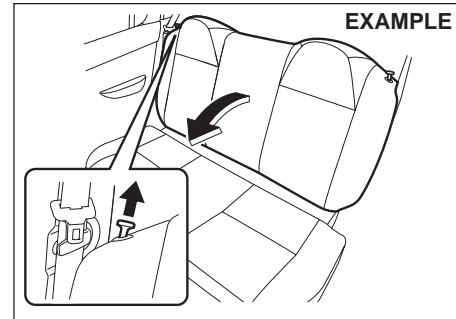
EXAMPLE

MH0-02-017

- 1) Hook the webbing of the outboard lap/shoulder belts in the belt hangers.

NOTICE

- When you move a seatback, make sure the belt webbing is hooked in the seat belt hangers so the seat belts are not caught by the seatback, seat hinge, or seat latch. This helps prevent damage to the belt system.
- Make sure the belt webbing is not twisted.



EXAMPLE

MH0-02-018

- 2) Pull up the release lock knobs on the top of the seat, and fold the seatback forward.

NOTICE

After folding the rear seatback forward, do not allow any foreign material to enter the lock opening. This may cause damage to the inside of the lock and prevent the seatback from being locked securely.

⚠ WARNING

If you need to carry cargo in the passenger compartment with the rear seat back folded forward, be sure to secure the cargo or it may be thrown about, causing injury. Never pile cargo higher than the seatback.

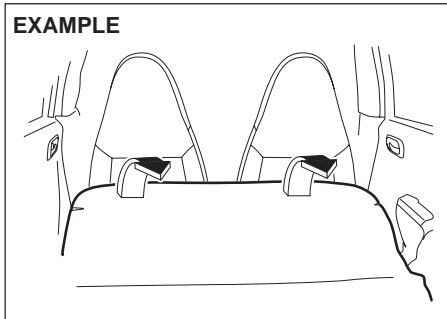
To return the seat to the normal position, follow the procedure below.

⚠ WARNING

When returning the rear seatback to the normal position, make sure that there is nothing around the striker. Any foreign materials prevent the seatback from being locked securely.

⚠ CAUTION

When returning the rear seatback to the normal position, be careful that your finger is not caught between the lock and the striker.

EXAMPLE

MH0-02-019

Raise the seatback until it locks into place. After returning the seat, try moving the seatback to make sure they are securely latched.

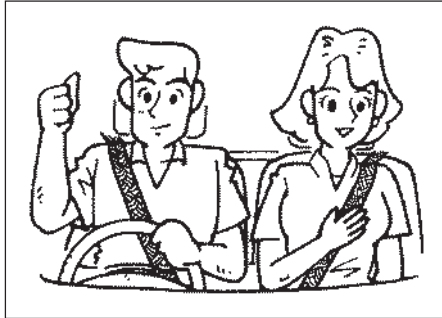
⚠ CAUTION

Do not put your hand into the rear seatback lock opening, or your finger may get caught and be injured.

NOTICE

- When returning the rear seatback to the normal position, do not allow any foreign material to enter the lock opening. This may prevent the seatback from being locked securely.
- When returning the rear seatback to the normal position, be sure to handle it carefully by hand to avoid any damage to the lock itself. Do not push it by using some material or by applying excessive force.
- As the lock is designed exclusively for securing the rear seatback, do not use it for any other purpose. Incorrect use of it may cause damage to the inside of the lock and prevent the seatback from being locked securely.

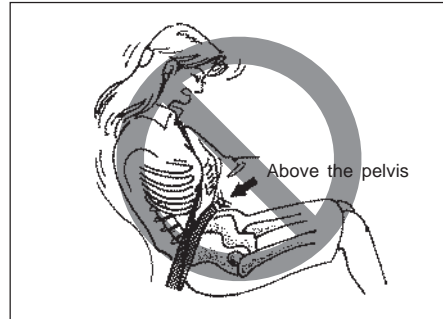
Seat Belts and Child Restraint Systems



MH0-02-020

⚠ WARNING
 Wear Your Seat Belts at All Times.

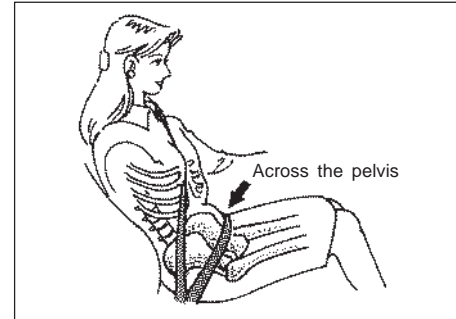
⚠ WARNING
 An air bag supplements, or adds to, the frontal crash protection offered by seat belts. The driver and all passengers must be properly restrained by wearing seat belts at all times, whether or not an air bag is mounted at their seating position, to minimize the risk of severe injury or death in the event of a crash.



MH0-02-021

⚠ WARNING

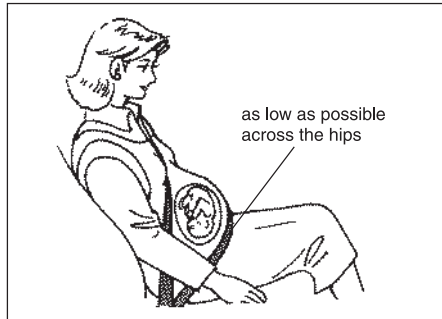
- Never allow persons to ride in the cargo area of a vehicle. In the event of an accident, there is a much greater risk of injury for persons who are not riding in a seat with their seat belt securely fastened.
- Seat belts should always be adjusted as follows:
 - the lap portion of the belt should be worn low across the pelvis, not across the waist.
 - the shoulder straps should be worn on the outside shoulder only, and never under the arm.
 - the shoulder straps should be away from your face and neck, but not falling off your shoulder.



MH0-02-022

⚠ WARNING

- Seat belts should never be worn with the straps twisted and should be adjusted as tightly as is comfortable to provide the protection for which they have been designed. A slack belt will provide less protection than one which is snug.
- Make sure that each seat belt buckle is inserted into the proper buckle catch. It is possible to cross the buckles in the rear seat.



MH0-02-023

⚠ WARNING

- Pregnant women should use seat belts, although specific recommendations about driving should be made by the woman's medical advisor. Remember that the lap portion of the belt should be worn as low as possible across the hips, as shown in the diagram.
- Do not wear your seat belt over hard or breakable objects in your pockets or on your clothing. If an accident occurs, objects such as glasses, pens, etc. under the seat belt can cause injury.
- Never use the same seat belt on more than one occupant and never



⚠ WARNING



- attach a seat belt over an infant or child being held on an occupant's lap. Such seat belt use could cause serious injury in the event of an accident.
- Periodically inspect seat belt assemblies for excessive wear and damage. Seat belts should be replaced if webbing becomes frayed, contaminated, or damaged in any way. It is essential to replace the entire seat belt assembly after it has been worn in a severe impact, even if damage to the assembly is not obvious.
- Children age 12 and under should ride properly restrained in the rear seat.
- Infants and small children should never be transported unless they are properly restrained. Restraint systems for infants and small children can be purchased locally and should be used. Make sure that the system you purchase meets applicable safety standards. Read and follow all the directions provided by the manufacturer.



⚠ WARNING



- For children, if the shoulder belt irritates the neck or face, move the child closer to the center of the vehicle.
- Avoid contamination of seat belt webbing by polishes, oils, chemicals, and particularly battery acid. Cleaning may safely be carried out using mild soap and water.
- Do not insert any items such as coins, clips, etc. into the seat belt buckles, and be careful not to spill liquids into these parts. If foreign materials get into a seat belt buckle, the seat belt may not work properly.
- All seatbacks should always be in an upright position when driving, or seat belt effectiveness may be reduced. Seat belts are designed to offer maximum protection when seatbacks are in the upright position.

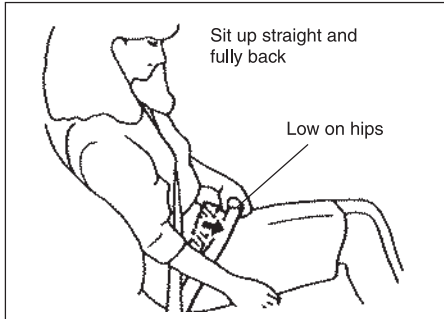
Lap-Shoulder Belt

Emergency Locking Retractor (ELR) (if equipped)

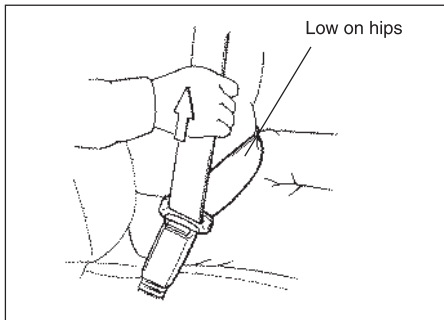
The seat belt has an emergency locking retractor (ELR), which is designed to lock the seat belt only during a sudden stop or

impact. It also may lock if you pull the belt across your body very quickly. If this happens, let the belt go back to unlock it, then pull the belt across your body more slowly.

Safety reminder



MH0-02-024

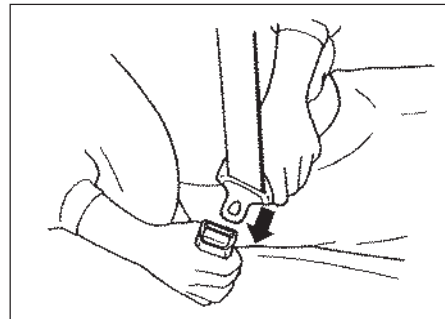


MH0-02-025

To reduce the risk of sliding under the belt during a collision, position the lap portion of the belt across your lap as low on your hips as possible and adjust it to a snug fit by pulling the shoulder portion of the belt upward through the latch plate. The length of the diagonal shoulder strap adjusts itself to allow freedom of movement.

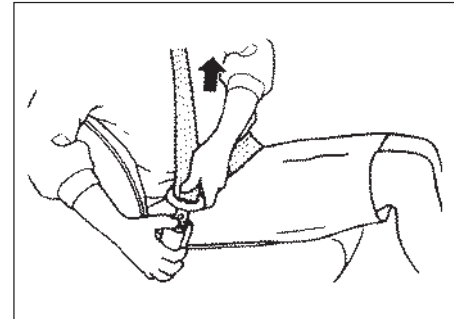
All Seat Belts Except Rear Center

All seat belts except rear center are the lap-shoulder belt.



MH0-02-026

To fasten the seat belt, sit up straight and well back in the seat, pull the latch plate attached to the seat belt across your body and press it straight into the buckle until you hear a "click".

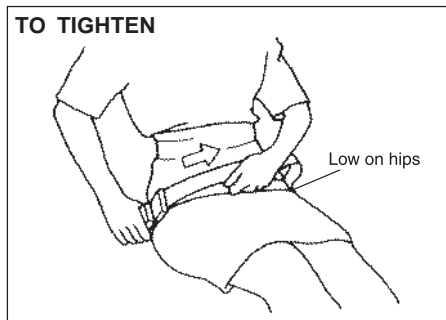


MH0-02-027

To unfasten the seat belt, push the button on the buckle and retract the belt slowly while attaching a hand to the belt or/and the latch plate.

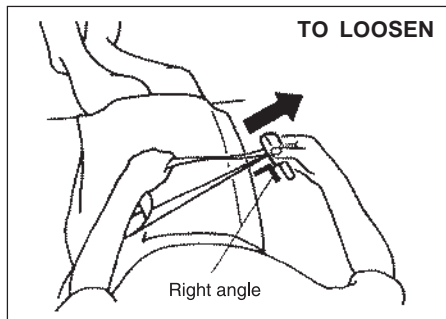
Rear Center Seat Belt

Rear center seat belt is the lap belt. To fasten the belt, pull the latch plate attached to the seat belt across your hips and press it straight into the buckle until you hear a "click". To reduce the risk of sliding under the belt during a collision, position the belt across your lap as low on your hips as possible and adjust it to a snug fit.

TO TIGHTEN

MH0-02-028

To tighten the belt, pull the free end of the belt across alongside the lap strap.

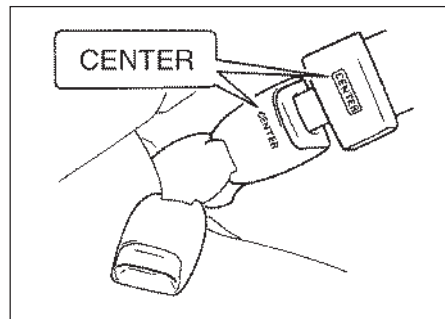
TO LOOSEN

MH0-02-029

To lengthen, release the latch plate from the buckle, pull the latch plate (adjuster) in the direction of the arrow, at right angles to the

belt. The latch plate should then be refitted into the buckle and the belt tightened as previously described.

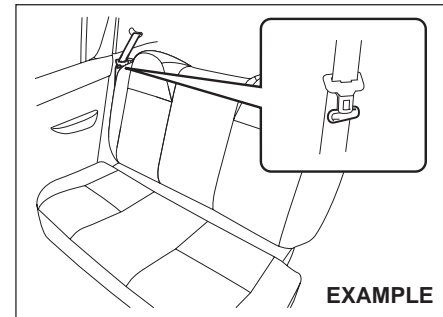
To unfasten the belt, press the release button on the buckle catch.



MH0-02-030

NOTE:

To identify the center seat belt buckle and latch plate in the rear seat, "CENTER" is marked on the buckle and latch plate of the center lap belt. The buckles are designed so a latch plate cannot be inserted into the wrong buckle.

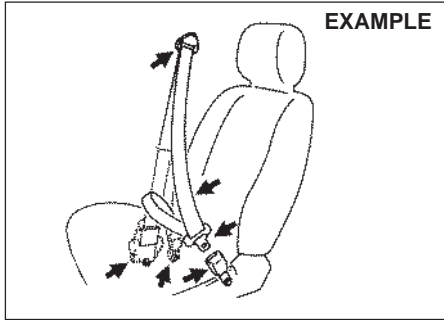
Seat Belt Hanger (if equipped)

MH0-02-031

NOTICE

- When you move a seatback, make sure the webbing is hooked in the seat belt hangers so the seat belts are not caught by the seatback, seat hinge, or seat latch. This helps prevent damage to the belt system.
- Make sure the belt webbing is not twisted.

Seat Belt Inspection



EXAMPLE

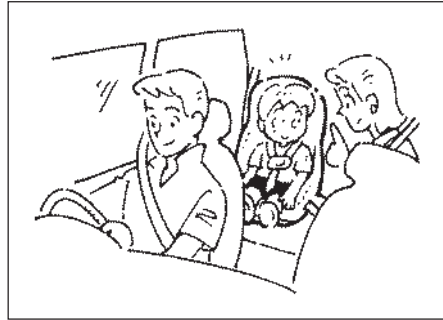
MH0-02-032

Periodically inspect the seat belts to make sure they work properly and are not damaged. Check the webbing, buckles, latch plates, retractors, anchorages, and guide loops. Replace any seat belts which do not work properly or are damaged.

⚠ WARNING

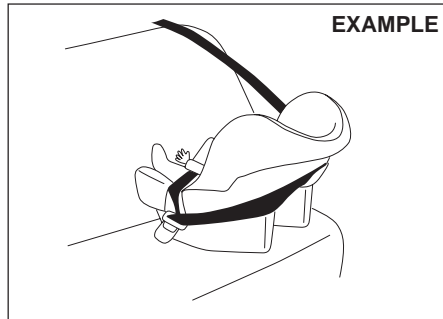
Be sure to inspect all seat belt assemblies after any collision. Any seat belt assembly which was in use during a collision (other than a very minor one) should be replaced, even if damage to the assembly is not obvious. Any seat belt assembly which was not in use during a collision should be replaced if it does not function properly, it is damaged in any way.

Child Restraint Systems



MH0-02-033

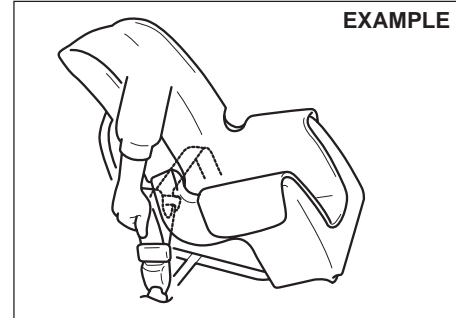
Infant restraint



EXAMPLE

MH0-02-034

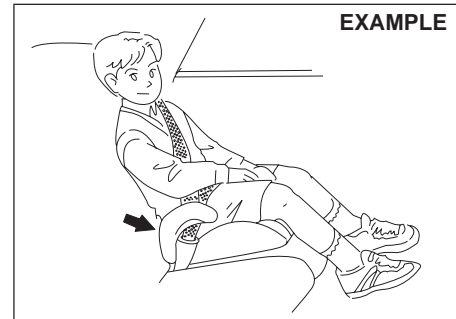
Child restraint



EXAMPLE

MH0-02-035

Booster seat



EXAMPLE

MH0-02-036

MARUTI SUZUKI highly recommends that you use a child restraint system to restrain infants and small children. Many different types of child restraint systems are

available; make sure that the restraint system you select meets applicable safety standards.

All child restraint systems are designed to be secured on vehicle seats by either seat belts (lap belts or the lap portion of lap/shoulder belts). Whenever possible, MARUTI SUZUKI recommends that child restraint systems be installed on the rear seat. According to accident statistics, children are safer when properly restrained in rear seating positions than in front seating positions.

If you must use a front-facing child restraint in the front passenger's seat, adjust the passenger's seat as far back as possible.

NOTE:

Observe any statutory regulation about child restraints.



MH0-02-037

⚠ WARNING

If your vehicle is equipped with a front passenger air bag, do not install a rear-facing child restraint in the front passenger's seat. If the passenger's air bag inflates, a child in a rear-facing child restraint could be killed or seriously injured. The back of a rear-facing child restraint would be too close to the inflating air bag.

⚠ WARNING

If you install a child restraint system in the rear seat, slide the front seat far enough forward so that the child's feet do not touch the front seatback. This will help avoid injury to the child in the event of an accident.



MH0-02-038

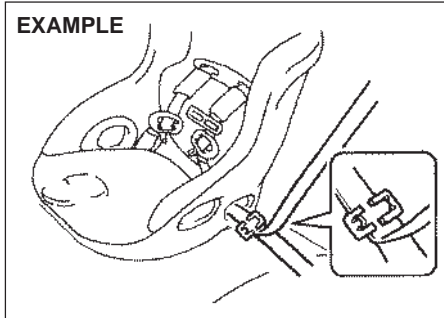


MH0-02-039

⚠ WARNING

Children could be endangered in a crash if their child restraints are not properly secured in the vehicle. When installing a child restraint system, be sure to follow the instructions below. Be sure to secure the child in the restraint system according to the manufacturer's instructions.

**Installation with Lap-Shoulder Seat Belts
ELR type belt (if equipped)**



MH0-02-040

Install your child restraint system according to the instructions provided by the child restraint system manufacturer.

Make sure that the seat belt is securely latched.

Try to move the child restraint system in all directions to make sure it is securely installed.

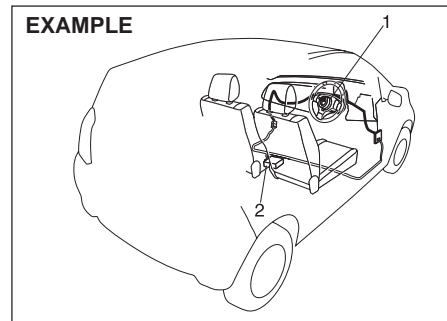
**Supplemental Restraint System (air bags)
(if equipped)**

▲ WARNING

This section of the owner's manual describes the protection provided by your **MARUTI SUZUKI SUPPLEMENTAL RESTRAINT SYSTEM (air bags)**. Please read and follow **ALL** these instructions carefully to minimize your risk of severe injury or death in the event of a collision.

Your vehicle is equipped with a Supplemental Restraint System consisting of the following components in addition to a lapshoulder belt at each front seating position.

1. Driver's front air bag module
2. Sensor & controller



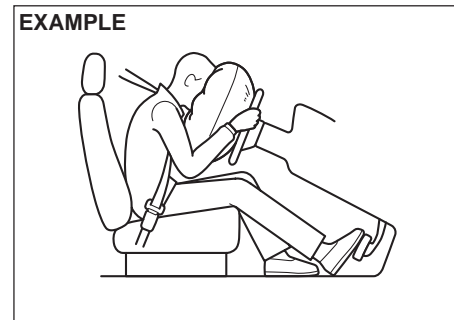
MH0-02-041



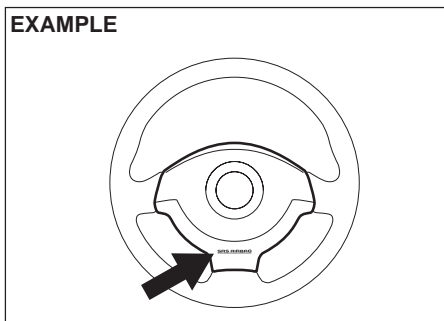
MH0-02-042

If the "AIR BAG" light on the instrument cluster does not blink or come on when the ignition switch is first turned to the "ON" position, or the "AIR BAG" light stays on, or comes on while driving, the air bag system may not work properly. Have the air bag system inspected by an authorized MARUTI SUZUKI dealer as soon as possible.

Front Air Bag

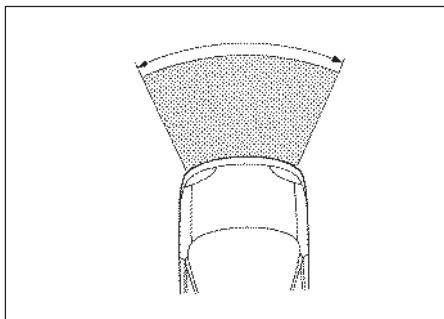


MH0-02-043

EXAMPLE

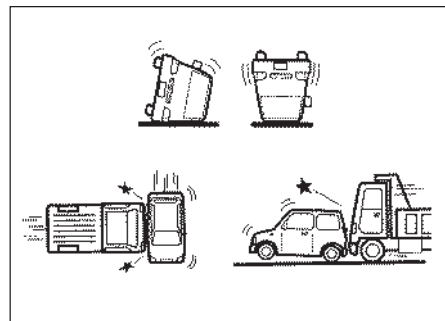
MH0-02-044

The driver's front air bag is located behind the center pad of the steering wheel. The word "SRS AIRBAG" is molded into the air bag cover to identify the location of the air bag.

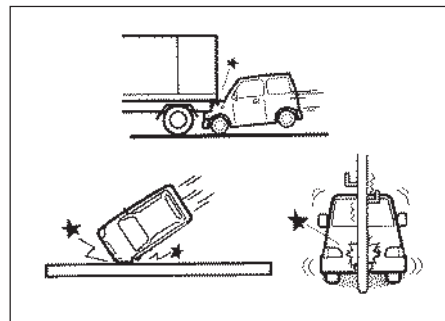
Frontal collision range

MH0-02-045

Front air bag is designed to inflate in severe frontal collisions.

Front air bags will not inflate

MH0-02-046

Front air bags will probably not inflate

MH0-02-047

Front air bags are not designed to inflate

in rear impacts, side impacts, rollovers or minor frontal collisions, since they would offer no protection in those types of accidents. Remember, since an air bag deploys only one time during an accident, seat belts are needed to restrain occupants from further movements during the accident.

Therefore, an air bag is NOT a substitute for seat belts. To maximize your protection, ALWAYS WEAR YOUR SEAT BELTS. Be aware that no system can prevent all possible injuries that may occur in an accident.

▲ WARNING

An air bag supplements, or adds to, the crash protection offered by seat belts. The driver and all passengers must be properly restrained by wearing seat belts at all times, whether or not an air bag is mounted at their seating position, to minimize the risk of severe injury or death in the event of a crash.

If you must use a front-facing child restraint in the front passenger's seat, be sure to move the front passenger's seat as far back as possible.

Please refer to the "Seat Belts and Child Restraint Systems" section in this section for details on securing your child.

How the system works

In a frontal collision, the crash sensors will detect rapid deceleration, and if the controller judges that the deceleration represents a severe frontal crash, the controller will trigger the inflators. The inflators inflate the air bags with nitrogen or argon gas. The inflated air bags provide a cushion for your head and upper body. The air bag inflates and deflates so quickly that you may not even realize that it has activated. The air bag will neither hinder your view nor make it harder to exit the vehicle.

Air bags must inflate quickly and forcefully in order to reduce the chance of serious or fatal injuries. However, an unavoidable consequence of the quick inflation is that the air bag may irritate bare skin, such as the facial area. Also, upon inflation, a loud noise will occur and some powder and smoke will be released. These conditions are not harmful and do not indicate a fire in the vehicle. Be aware, however, that some air bag components may be hot for a while after inflation.

A seat belt helps keep you in the proper position for maximum protection when an air bag inflates. Adjust your seat as far back as possible while still maintaining control of the vehicle. Sit fully back in your seat; sit up straight; do not lean over the steering wheel. Please refer to the "Front Seat" section and the "Seat Belts and Child Restraint Systems" section in this section for 4-15

details on proper seat and seat belt adjustments.



MH0-02-048

▲ WARNING

- **The driver should not lean over the steering wheel. In these situations, the out-of-position occupant would be too close to an inflating air bag, and may suffer severe injury.**
- **Do not attach any objects to, or place any objects over, the steering wheel. Do not place any objects between the air bag and the driver. These objects may interfere with air bag operation or may be propelled by the air bag in the event of a crash. Either of these conditions may cause severe injury.**

Note that even though your vehicle may be moderately damaged in a frontal collision, the collision may not have been severe enough to trigger the air bags to inflate. If your vehicle sustains ANY front-end damage, have the air bag system inspected by an MARUTI SUZUKI authorized dealer to ensure it is in proper working order.

Your vehicle is equipped with a diagnostic module which records information about the air bag system if the air bags deploy in a crash. The module records information about overall system status, which sensors activated the deployment, and for a certain vehicle only, whether the driver's seat belt was in use.

Servicing the air bag system

If the air bags inflate, have the air bags and related components replaced by an MARUTI SUZUKI authorized dealer as soon as possible.

If your vehicle ever gets in deep water and the driver's floor is submerged, the air bag controller could be damaged. If it does, have the air bag system inspected by the MARUTI SUZUKI dealer as soon as possible.

Special procedures are required for servicing or replacing an air bag. For that reason, only an authorized MARUTI SUZUKI dealer should be allowed to service or

replace your air bags. Please remind anyone who services your MARUTI SUZUKI that it has air bags.

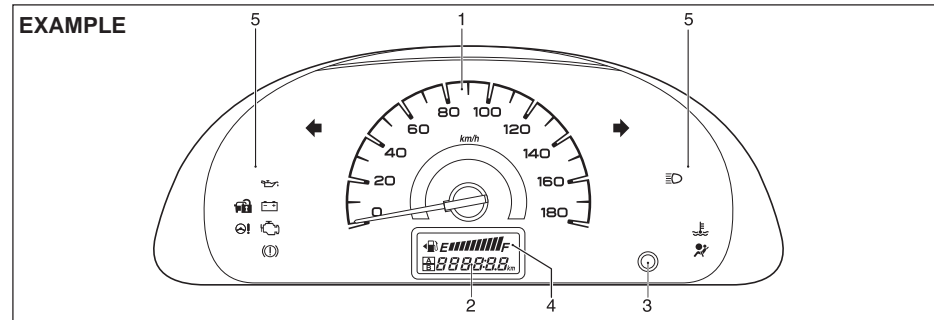
Service on or around air bag components or wiring must be performed only by an MARUTI SUZUKI authorized dealer. Improper service could result in unintended air bag deployment or could render the air bag inoperative. Either of these two conditions may result in severe injury.

To prevent damage or unintended inflation of the air bag system, be sure the battery is disconnected and the ignition switch has been in the "LOCK" position for at least 90 seconds before performing any electrical service work on your MARUTI SUZUKI. Do not touch air bag system components or wires. The wires are wrapped with yellow tape or yellow tubing, and the couplers are yellow for easy identification.

Scrapping a vehicle that has an uninflated air bag can be hazardous. Ask your dealer, body repair shop or scrap yard for help with disposal.

Instrument Cluster

1. Speedometer
2. Odometer/Trip meter
3. Odometer/Trip meter selector knob
4. Fuel gauge
5. Warning and indicator lights



MH0-02-049

Warning and Indicator Lights Brake System Warning Light



MH0-02-050

Three different types of operations exist depending on the vehicle's specification.

- 1) The light comes on briefly when the ignition switch is turned to the "ON" position.

- 2) The light comes on when the parking brake is engaged with the ignition switch in the "ON" position.
- 3) The light comes on when under either or both of above two conditions.

The light also comes on when the fluid in the brake fluid reservoir falls below the specified level.

The light should go out after starting the engine and fully releasing the parking brake, if the fluid level in the brake fluid reservoir is adequate.

The light also comes on together with the ABS warning light when the rear brake force control function (proportioning valve function) of the ABS system fails.

If the brake system warning light comes on while you are driving the vehicle, it may mean that there is something wrong with the vehicle's brake system. If this happens, you should:

- 1) Pull off the road and stop carefully.

⚠ WARNING

Remember that stopping distance may be longer, you may have to push harder on the pedal, and the pedal may go down farther than normal.

- 2) Test the brakes by carefully starting and stopping at the side of the road.
 - If you determine that it is safe, drive carefully at low speed to the nearest dealer for repairs, or
 - Have the vehicle towed to the nearest dealer for repairs.

⚠ WARNING

If any of the following conditions occur, you should immediately ask your MARUTI SUZUKI dealer to inspect the brake system.

⇒

⚠ WARNING

⇐

- If the brake system warning light does not go out after the engine has been started and the parking brake has been fully released.
- If the brake system warning light does not come on when the ignition switch is turned to the "ON" position.
- If the brake system warning light comes on at any time during vehicle operation.

NOTE:
Because the disc brake system is self adjusting, the fluid level will drop as the brake pads become worn. Replenishing the brake fluid reservoir is considered normal periodic maintenance.

"AIR BAG" Light (if equipped)



MH0-02-051

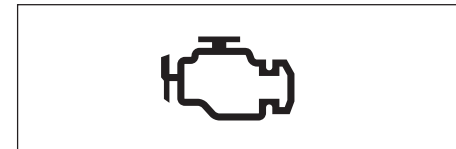
This light blinks or comes on for several seconds when the ignition switch is turned to the "ON" position so you can check if the light is working.

The light will come on and stay on if there is a problem in the air bag system.

⚠ WARNING

If the "AIR BAG" light does not blink or come on briefly when the ignition switch is turned to the "ON" position, stays on for more than 10 seconds, or comes on while driving, the air bag system may not work properly. Have both systems inspected by an MARUTI SUZUKI authorized dealer.

Malfunction Indicator Light



MH0-02-052

Your vehicle has a computer-controlled emission control system. A malfunction indicator light is provided on the instrument panel to indicate when it is necessary to have the emission control system serviced. The malfunction indicator light comes on when the ignition switch is turned to "ON" position to let you know the light is working and goes out when the engine is started.

If the malfunction indicator light comes on when the engine is running, there is a

damage with the emission control system. Bring the vehicle to your MARUTI SUZUKI dealer to have the damage fixed.

Also, if the light comes on, there may be something wrong with the transaxle system. Have the system inspected by MARUTI SUZUKI authorized dealer.

NOTICE

Continuing to drive the vehicle when the malfunction indicator light is on can cause permanent damage to the vehicle's emission control system, and can affect fuel economy and driveability.

Electric Power Steering Light (if equipped)



MH0-02-053

This light comes on when the ignition switch is turned to the "ON" position, and goes out when the engine is started.

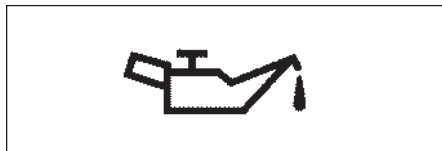
If this light comes on while driving, the power steering system may not work

properly. Have the system inspected by your MARUTI SUZUKI dealer.

NOTE:

If the power steering system does not work properly, you will feel heavier to steer but you still will be able to steer.

Oil Pressure Light



MH0-02-054

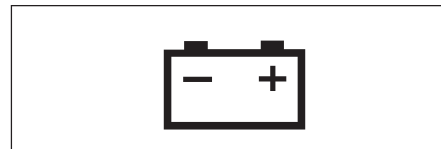
This light comes on when the ignition switch is turned to the "ON" position, and goes out when the engine is started. The light will come on and remain on if there is insufficient oil pressure. If the light comes on when driving, pull off the road as soon as you can and stop the engine.

Check the oil level and add oil if necessary. If there is enough oil, the lubrication system should be inspected by your MARUTI SUZUKI dealer before you drive the vehicle again.

NOTICE

- If you operate the engine with this light on, severe engine damage can result.
- Do not rely on the Oil Pressure Light to indicate the need to add oil. Be sure to periodically check the engine oil level.

Charging Light



MH0-02-055

This light comes on when the ignition switch is turned to the "ON" position, and goes out when the engine is started. The light will come on and remain on if there is something wrong with the battery charging system. If the light comes on when the engine is running, the charging system should be inspected immediately by your MARUTI SUZUKI dealer.

High Engine Coolant Temperature Warning Light



MH0-02-056

When the ignition switch is turned to the “ON” position, this light comes on briefly so you can check that the light is working. If this light blinks while driving, it means the engine is running hot. Avoid driving conditions that may lead to actual overheating. If the light stays on without blinking, then the engine is overheating. Follow the instructions in the “If the Engine Overheats” of “EMERGENCY SERVICE” section.

NOTICE

Continuing to drive the vehicle when engine overheating is indicated can result in severe engine damage.

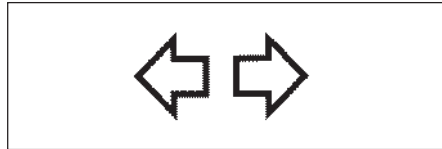
Immobilizer System Light



MH0-02-057

This light comes on when the ignition switch is turned to the “ON” position, and goes out when the engine is started. If this light blinks with the ignition switch turned to “ON”, there may be something wrong with the immobilizer system. Ask your MARUTI SUZUKI dealer to have the system inspected.

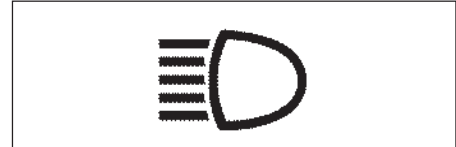
Turn Signal Indicators



MH0-02-058

When you turn on the left or right turn signals, the corresponding green arrow on the instrument panel will flash along with the respective turn signal lights. When you turn on the hazard warning switch, both arrows will flash along with all of the turn signal lights.

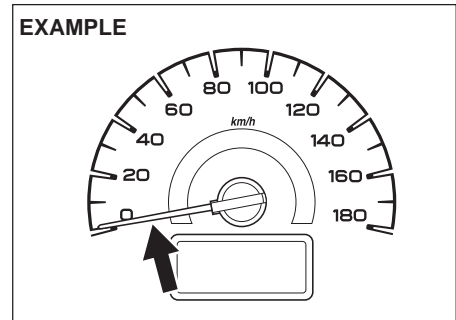
Main Beam (high beam) Indicator Light



MH0-02-059

This indicator comes on when headlight main beams (high beams) are turned on.

Speedometer



MH0-02-060

The speedometer indicates vehicle speed in km/h.

Fuel Gauge



MH0-02-061

When the ignition switch is in the “ON” position, this gauge gives an approximate indication of the amount of fuel in the fuel tank. “F” stands for full and “E” stands for empty.

The mark (1) indicates that the fuel filler door is located on the left side of the vehicle.

When the fuel meter indicator shows only one segment to “E”, refill the tank as soon as possible.

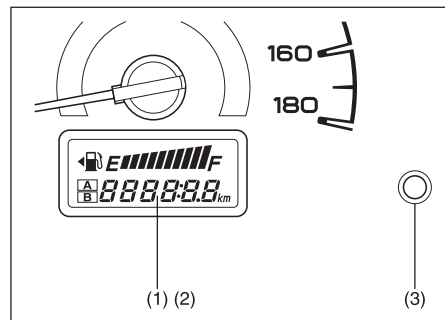
NOTE:

If the last segment blinks, it means that the fuel is almost empty.

NOTE:

The fuel meter indicator varies depending on road conditions (for example, slope or curve) and driving conditions because of fuel moving in the tank.

Information Display



MH0-02-062

- (1) Clock (if equipped)
- (2) Odometer/Trip meter
- (3) Indication selector and meter illumination control knob

⚠ WARNING

If you attempt to adjust the display while driving, you could lose control of the vehicle.

Do not attempt to adjust the display while driving.

Clock (1) (if equipped)

The clock is shown when the ignition switch is in the “ON” position. To set the clock, follow the instructions below.

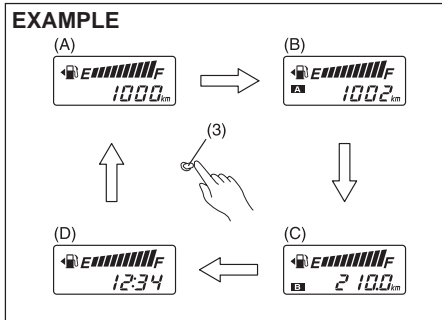
- Hold in the indication selector and meter illumination control knob (3) for more than 2 seconds. Push the indication selector and meter illumination control knob (3) to advance the minute display while the minute display is flashing. Release the indication selector and meter illumination control knob (3) for 5 seconds to set the minute display.
- The hour display flash after the minute display is set. Push the indication selector and meter illumination control knob (3) to advance the hour display. Release the indication selector and meter illumination control knob (3) for 5 seconds to set the hour display.

Odometer/Trip meter (2)

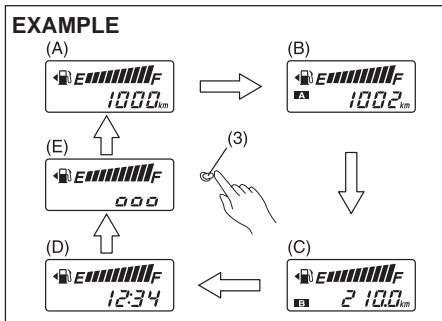
The odometer/trip meter is shown when the ignition switch is in the “ON” position. The odometer records the total distance the vehicle has been driven. The trip meter can be used to measure the distance traveled on short trips or between fuel stops.

NOTICE

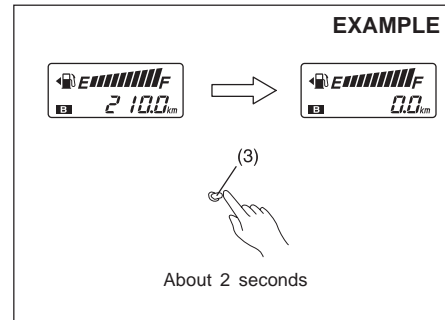
Keep track of your odometer reading and check the maintenance schedule regularly for required services. Increased wear or damage to certain parts can result from failure to perform required services at the proper mileage intervals.



When the ignition switch is turned to “ON” with the lighting switch is in the “OFF” position, the display shows three types of indication; odometer (A), trip meter A (B), trip meter B (C) and clock (D). Push the “MODE” knob (3) quickly to switch the indication among the four.

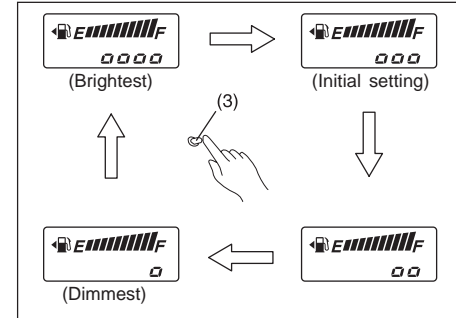


When the ignition switch is turned to “ON” and the position lights, tail lights and/or the headlights are on, the display shows four types of indication; odometer (A), trip meter A (B), trip meter B (C), clock (D) and indication of illumination intensity (E). Push the “MODE” knob (3) quickly to switch the indication among the five. When the indication shows (E), you can control the meter illumination intensity. Refer to “Meter illumination control” section below for details on how to dim or brighten the meter illumination.



To reset the trip meter to zero, hold in the “MODE” knob (3) for about 2 seconds.

Meter illumination control



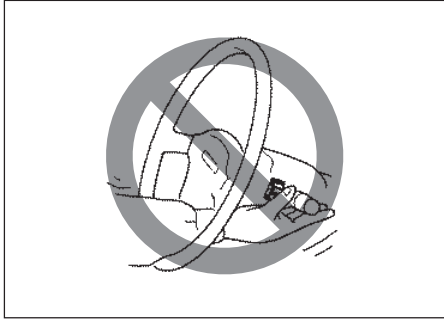
When the display shows the indication of illumination intensity (E), you can dim or brighten the meter illumination.

To change the meter illumination brightness, continue to hold in the “MODE” knob (3). The indication will change as shown in the illustration. The illumination gets dimmer then returns to the brightest condition after it reaches the dimmest.

NOTE:

When you reconnect the negative (-) terminal to the battery, the brightness of the instrument panel lights will be reinitialized. Readjust the brightness according to your preference.

Lighting Control Lever

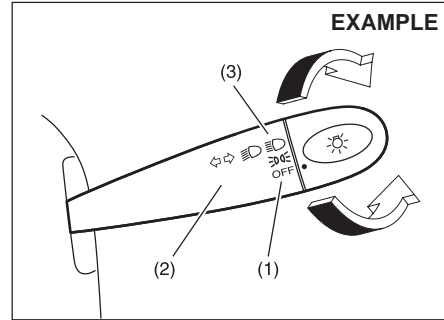


MH0-02-067

⚠ WARNING

To avoid possible injury, do not operate controls by reaching through the steering wheel.

Lighting Operation



MH0-02-068

To turn the lights on or off, twist the knob on the end of the lever. There are three positions:

OFF (1)

All lights are off.

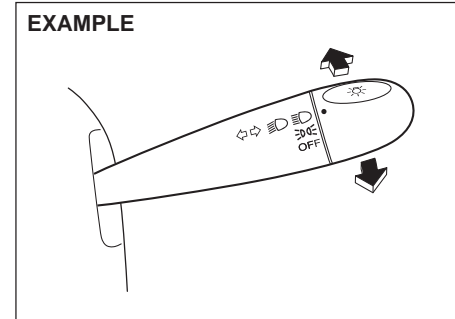
☞ (2)

Front position lights, tail lights, license plate light and instrument lights are on, but headlights are off.

☞☞ (3)

Front position lights, tail lights, license plate light, instrument lights and head lights are on.

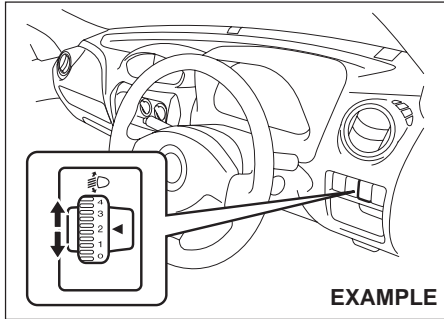
EXAMPLE



MH0-02-069

With the headlights on, push the lever forward to switch to the high beams (main beams) or pull the lever toward you to switch to the low beams. When the high beams (main beams) are on, a light on the instrument panel will come on. To momentarily activate the high beams (main beams) as a passing signal, pull the lever slightly toward you and release it when you have completed the signal.

Headlight Leveling Switch

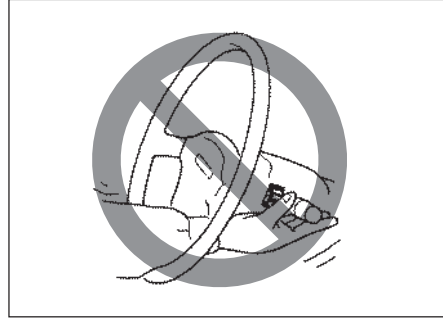


MH0-02-070

Level the headlight beam according to the load condition of your vehicle by turning this switch. The chart below shows the appropriate switch position for different vehicle-load conditions.

Vehicle Load Condition	Switch Position
Driver only	0
Driver + 1 passenger (in front seat)	0
Driver + 4 passengers, no cargo	1
Driver + 4 passengers, cargo added	2
Driver + full cargo	4

Turn Signal Control Lever



MH0-02-071

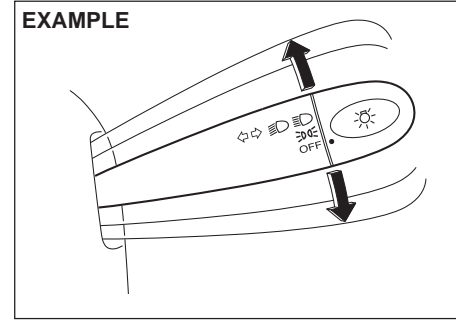
▲ WARNING

To avoid possible injury, do not operate controls by reaching through the steering wheel.

Turn Signal Operation

With the ignition switch in the "ON" position, move the lever up or down to activate the right or left turn signals.

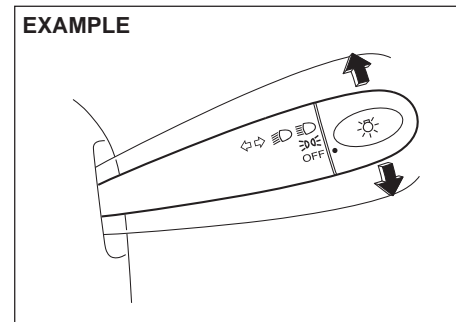
Normal turn signal



MH0-02-072

Move the lever all the way upward or downward to signal. When the turn is completed, the signal will cancel and the lever will return to its normal position.

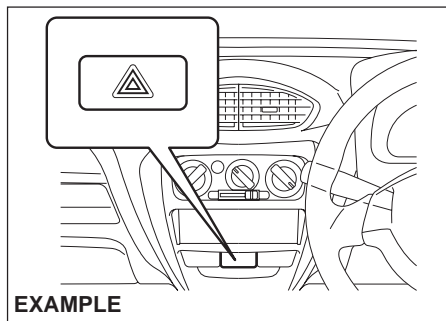
Lane change signal



MH0-02-073
38

Sometimes, such as when changing lanes, the steering wheel is not turned far enough to cancel the turn signal. For convenience, you can flash the turn signal by moving the lever part way and holding it there. The lever will return to its normal position when you release it.

Hazard Warning Switch

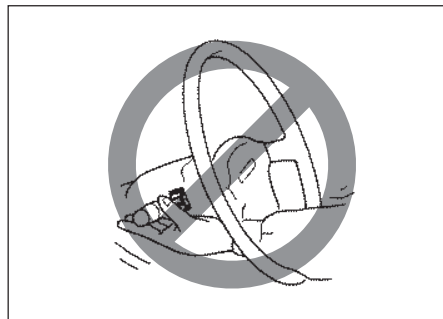


MH0-02-074

Push in the hazard warning switch to activate the hazard warning lights. All turn signal lights and both turn signal indicators will flash simultaneously. To turn off the lights, push the switch again.

Use the hazard warning lights to warn other traffic during emergency parking or when your vehicle could otherwise become a traffic hazard.

Windshield Wiper and Washer Lever



MH0-02-075

▲ WARNING

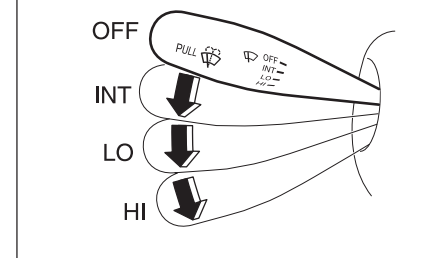
To avoid possible injury, do not operate controls by reaching through the steering wheel.

Wiper and Washer Operation

When the ignition switch is in the "ON" position, you can use the wiper/washer lever or switch (if equipped).

Windshield Wipers

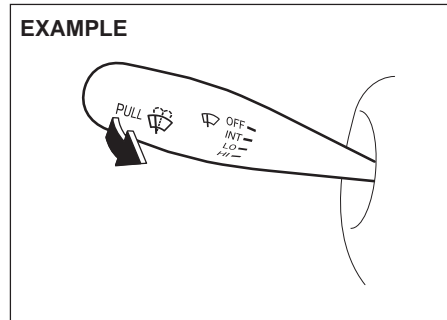
EXAMPLE



MH0-02-076

To turn the windshield wipers on, move the lever down to one of the three operating positions. In the "INT" position (if equipped), the wipers operate intermittently. The "INT" position is very convenient for driving in mist or light rain. In the "LO" position, the wipers operate at a steady low speed. In the "HI" position, the wipers operate at a steady high speed. To turn off the wipers, move the lever back to the "OFF" position.

Windshield Washer



MH0-02-077

To spray windshield washer fluid, pull the lever toward you. The windshield wipers will automatically turn on at low speed if they are not already on and the "INT" position is equipped.

⚠ WARNING

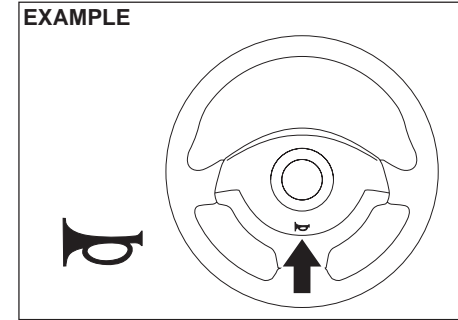
- To prevent windshield icing in cold weather, turn on the defroster to heat the windshield before and during windshield washer use.
- Do not use radiator antifreeze in the windshield washer reservoir. It can severely impair visibility when sprayed on the windshield, and can also damage your vehicle's paint.

NOTICE

To help prevent damage to the windshield wiper and washer system components, you should take the following precautions:

- Do not continue to hold in the lever when there is no windshield washer fluid being sprayed or the washer motor can be damaged.
- Do not attempt to remove dirt from a dry windshield with the wipers or you can damage the windshield and the wiper blades. Always wet the windshield with washer fluid before operating the wipers.
- Clear ice or packed snow from the wiper blades before using the wipers.
- Check the washer fluid level regularly. Check it often when the weather is bad.
- Only fill the washer fluid reservoir 3/4 full during cold weather to allow room for expansion if the temperature falls low enough to freeze the solution.

Horn



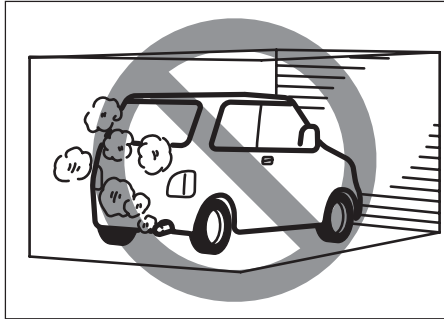
MH0-02-078

Press the horn button of the steering wheel to sound the horn. The horn will sound with the ignition switch in any position.

OPERATING YOUR VEHICLE

Exhaust Gas Warning	5-1
Daily Inspection Checklist	5-1
Engine Oil Consumption	5-2
Ignition Switch	5-3
Parking Brake Lever	5-4
Pedal	5-5
Starting the Engine	5-5
Using the Transaxle	5-6
Braking.....	5-7

Exhaust Gas Warning



MH0-03-001

⚠ WARNING

Avoid breathing exhaust gases. Exhaust gases contain carbon monoxide, a potentially lethal gas that is colorless and odorless. Since carbon monoxide is difficult to detect by itself, be sure to take the following precautions to help prevent carbon monoxide from entering your vehicle.

- Do not leave the engine running in garages or other confined areas.
- Do not park with the engine running for a long period of time, even in an open area. If it is necessary to sit for a short time in a parked vehicle



⚠ WARNING



with the engine running, make sure the air intake selector is set to “FRESH AIR” and the fan is at high speed.

- Avoid operating the vehicle with the tailgate or trunk open. If it is necessary to operate the vehicle with the tailgate or trunk open, make sure the sunroof (if equipped) and all windows are closed, and the blower is at high speed with the air intake selector set to “FRESH AIR”.
- To allow proper operation of your vehicle’s ventilation system, keep the air inlet grille in front of the windshield clear of snow, leaves, or other obstructions at all times.
- Keep the exhaust tailpipe area clear of snow and other material to help reduce the buildup of exhaust gases under the vehicle. This is particularly important when parked in blizzard conditions.
- Have the exhaust system inspected periodically for damage and leaks. Any damage or leaks should be repaired immediately.

Daily Inspection Checklist

Before Driving



MH0-03-002

- 1) Make sure that windows, mirrors, lights, and reflectors are clean and unobstructed.
- 2) Visually check the tires for the following points:
 - the depth of the tread groove
 - abnormal wear, cracks and damage
 - loose wheel nuts
 - existence of foreign material such as nails, stones, etc.

Refer to “Tires” in “INSPECTION AND MAINTENANCE” section for details.

- 3) Look for fluid and oil leaks.

NOTE:

It is normal for water to drip from the air conditioning system after use.

- 4) Make sure the hood is fully closed and latched.
- 5) Check the headlights, turn signal lights, brake lights and horn for proper operation.
- 6) Adjust the seat and head restraint (if equipped).
- 7) Check the brake pedal and the parking brake lever.
- 8) Adjust the mirrors.
- 9) Make sure that you and all passengers have properly fastened your seat belts.
- 10) Make sure that all warning lights come on as the key is turned to the "ON" position.
- 11) Check all gauges.
- 12) Make sure that the BRAKE SYSTEM WARNING light turns off when the parking brake is released.

Once a week, or each time you fill your fuel tank, perform the following under-hood checks:

- 1) Engine oil level
- 2) Coolant level
- 3) Brake fluid level
- 4) Windshield washer fluid level
- 5) Battery solution level
- 6) Hood latch operation

Pull the hood release handle inside the vehicle. Make sure that you cannot open the hood all the way without releasing the secondary latch. Be sure to close

the hood securely after checking for proper latch operation. See "All latches, hinges & locks" of "CHASSIS AND BODY" in the "Periodic Maintenance Schedule" in the "INSPECTION AND MAINTENANCE" section for lubrication schedule.

▲ WARNING

Make sure the hood is fully closed and latched before driving. If it is not, it can fly up unexpectedly during driving, obstructing your view and resulting in an accident.

Once a month, or each time you fill your fuel tank, check the tire pressure using a tire pressure gauge. Also check the tire pressure of the spare tire.

Engine Oil Consumption

It is normal for the engine to consume some engine oil during normal vehicle operation.

The amount of engine oil consumed depends on the viscosity of the oil, the quality of the oil and the conditions the vehicle is driven under.

More oil is consumed during high-speed driving and when there is frequent acceleration and deceleration. Under high loads, your engine also will consume more oil.

A new engine also consumes more oil, since its pistons, piston rings and cylinder walls have not yet become conditioned. New engines reach the normal level of oil consumption only after approximately 5000 km (3000 miles) driving.

Oil consumption:

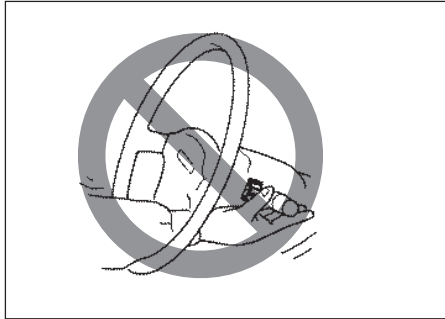
**Max. 1.0 L per 1000 km
(1 Qt. per 600 miles)**

When judging the amount of oil consumption, note that the oil may become diluted and make it difficult to accurately judge the true oil level.

As an example, if a vehicle is used for repeated short trips, and consumes a normal amount of oil, the dipstick may not show any drop in the oil level at all, even after 1000 km (600 miles) or more of driving. This is because the oil is gradually becoming diluted with fuel or moisture, making it appear that the oil level has not changed.

You should also be aware that the diluting ingredients evaporate out when the vehicle is subsequently driven at high speeds, such as on an expressway, making it appear that oil is excessively consumed after high-speed driving.

Ignition Switch



MH0-03-003

⚠ WARNING

To avoid possible injury, do not operate controls by reaching through the steering wheel.

EXAMPLE



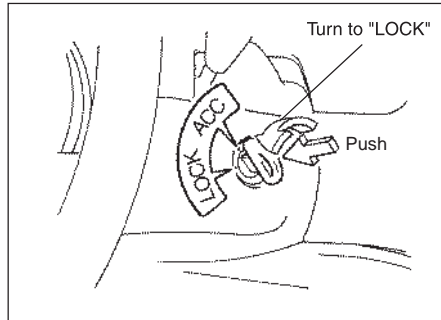
MH0-03-004

The ignition switch has the following four positions:

LOCK

This is the normal parking position. It is the only position in which the key can be removed.

Manual transaxle



MH0-03-005

You may push in the key to turn it to the "LOCK" position. It locks the ignition, and prevents normal use of the steering wheel after the key is removed.

To release the steering lock, insert the key and turn it clockwise to one of the other positions. If you have trouble turning the key to unlock the steering, try turning the steering wheel slightly to the right or left while turning the key.

ACC

Accessories such as the radio can operate, but the engine is off.

ON

This is the normal operating position. All electrical systems are on.

START

This is the position for starting the engine using the starter motor. The key should be released from this position as soon as the engine starts.



MH0-03-006

⚠ WARNING

- Never return the ignition switch to the "LOCK" position and remove the ignition key while the vehicle is moving. The steering wheel will lock



⚠ WARNING

and you will not be able to steer the vehicle.

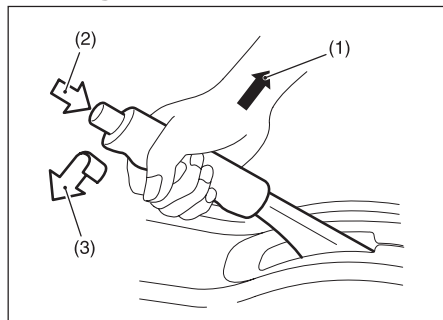
- Always remove the ignition key when leaving the vehicle even if only for a short time. Also do not leave children alone in a parked vehicle. Unattended children could cause accidental movement of the vehicle or could tamper with power windows or power sunroof. They also could suffer from heat stroke in warm or hot weather. These could result in severe injury or even death.

NOTICE

- Do not use the starter motor for more than 15 seconds at a time. If the engine does not start, wait 15 seconds before trying again. If the engine does not start after several attempts, check the fuel and ignition systems or consult your MARUTI SUZUKI dealer.
- Do not leave the ignition switch in the "ON" position if the engine is not running as the battery will discharge.

NOTE:

If the engine has been stopped and stayed as it as for while after the engine was stopped unexpectedly or was raced before stopped, a clicking sound may be heard from around the engine when engine restarted. This is not a malfunction. In this case, always let the engine idle before stop it.

Parking Brake Lever

MH0-03-007

- (1) To set
- (2) To release
- (3) To release

The parking brake lever is located between the seats. To set the parking brake, hold the brake pedal down and pull the parking brake lever all the way up. To release the parking brake, hold the brake pedal down,

pull up slightly on the parking brake lever, push the button on the end of the lever with your thumb, and lower the lever to its original position.

⚠ WARNING

- Never drive your vehicle with the parking brake on: rear brake effectiveness can be reduced from overheating, brake life may be shortened, or permanent brake damage may result.
- If the parking brake does not hold the vehicle securely or does not fully release, have your vehicle inspected immediately by an authorized MARUTI SUZUKI dealer.

⚠ WARNING

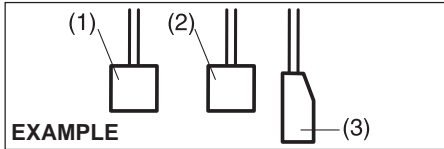
Always set the parking brake fully before leaving your vehicle or it may move, causing injury or damage. When parking, make sure the gearshift lever is in 1st gear or "R" (Reverse). Remember, even though the transaxle is in gear, you must set the parking brake fully.

▲ WARNING

When parking the vehicle in extremely cold weather, the following procedure should be used:

- 1) Set the parking brake.
- 2) Turn off the engine, then shift into reverse or first gear.
- 3) Get out of the vehicle and put chocks under the wheels.
- 4) Release the parking brake. When you return to your vehicle, you must remember to first set the parking brake, then remove the wheel chocks.

Pedal



MH0-03-008

Clutch Pedal (1)

The clutch pedal is used to disengage the drive to the wheels when starting the engine, stopping, or shifting the gearshift lever. Depressing the pedal disengages the clutch.

▲ WARNING

Do not drive with your foot resting on the clutch pedal. It could result in excessive clutch wear, clutch damage, or unexpected loss of engine braking.

Brake Pedal (2)

Your MARUTI SUZUKI vehicle is equipped with front disc brakes and rear drum brakes. Depressing the brake pedal applies both sets of brakes.

You may hear occasional brake squeal when you apply the brakes. This is a normal condition caused by environmental factors such as cold, wet, snow, etc.

▲ WARNING

If brake squeal is excessive and occurs each time the brakes are applied, you should have the brakes checked by your MARUTI SUZUKI dealer.

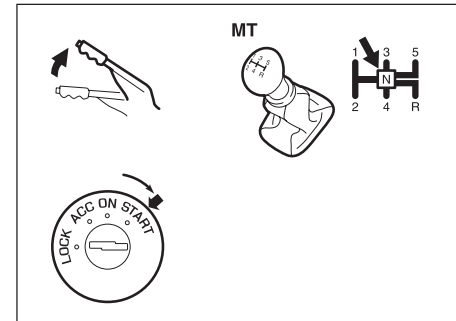
▲ WARNING

Do not “ride” the brakes by applying them continuously or resting your foot on the pedal. This will result in overheating of the brakes which could cause unpredictable braking action, longer stopping distances, or permanent brake damage.

Accelerator Pedal (3)

This pedal controls the speed of the engine. Depressing the accelerator pedal increases power output and speed.

Starting the Engine Before Starting the Engine



MH0-03-009

- 1) Make sure the parking brake is set fully.
- 2) Shift into “N” (Neutral) and depress the clutch pedal all the way to the floor. Hold the clutch pedal while starting the engine.

▲ WARNING

Make sure that the parking brake is set fully and the transaxle is in Neutral before attempting to start the engine.

Starting a Cold and Warm Engine

With your foot off the accelerator pedal, crank the engine by turning the ignition key to "START". Release the key when the engine starts.

NOTICE

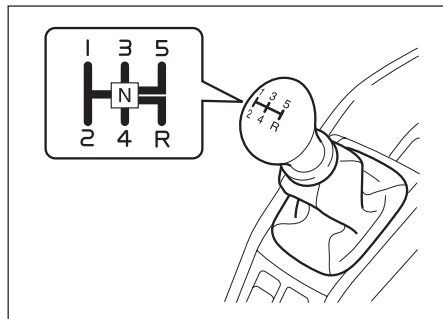
- Stop turning the starter immediately after the engine has started or the starter system can be damaged.
- Do not crank the engine for more than 15 seconds at a time. If the engine doesn't start on the first try, wait about 15 seconds before trying again.

If the engine does not start after 15 seconds of cranking, wait about 15 seconds, then press down the accelerator pedal to 1/3 of its travel and try cranking the engine again. Release the key and accelerator pedal when the engine starts.

If the engine still does not start, try holding the accelerator pedal all the way to the floor while cranking. This should clear the engine if it is flooded.

Using the Transaxle

Manual Transaxle



MH0-03-010

Starting off

To start off, depress the clutch pedal all the way to the floor and shift into 1st gear. After releasing the parking brake, gradually release the clutch. When you hear a change in the engine's sound, slowly press the accelerator while continuing to gradually release the clutch.

Shifting

All forward gears are synchronized, which provides for quiet and easy shifting. Always push in the clutch pedal fully before shifting gears.

Downshifting maximum allowable speeds

For F8D engine

Downshifting	km/h
2nd to 1st	10
3rd to 2nd	30
4th to 3rd	50
5th to 4th	Any speed OK

*NOTE:

You may not accelerate to the maximum allowable speed because of the driving situation and/or the vehicle condition.

NOTE:

Down shifting repeatedly at speeds higher than given speed can result in severe damage to the engine, transmission or drive shafts.

NOTICE

When downshifting to a lower gear, make sure not to downshift at the speed faster than the maximum allowable speeds, or severe engine damage can result.

⚠ WARNING

- Reduce your speed and downshift to a lower gear before going down a long or steep hill. A lower gear will allow the engine to provide braking. Avoid riding the brakes or they may overheat, resulting in brake failure.
- When driving on slippery roads, be sure to slow down before downshifting. Excessive and or sudden changes in engine speed may cause loss of traction, which could cause you to lose control.

NOTICE

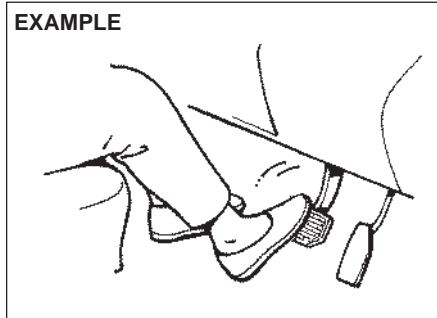
Make sure that the vehicle is completely stationary before you shift into reverse.

NOTICE

- To help avoid clutch damage, do not use the clutch pedal as a footrest while driving or use the clutch to keep the vehicle stationary on a slope. Depress the clutch fully when shifting.
- When shifting or starting off, do not race the engine. Racing the engine can shorten engine life and affect smooth shifting.

NOTICE

The gear lever may block some times during shifting to reverse gear. This is normal. If this happens, come back to neutral, release the clutch and engage the reverse gear again.

Braking**EXAMPLE**

MH0-03-011

The distance needed to bring any vehicle to a halt increases with the speed of the vehicle. The braking distance needed, for example, at 60 km/h will be approximately 4 times greater than the braking distance needed at 30 km/h. Start to brake the vehicle when there is plenty of distance between your vehicle and the stopping point, and slow down gradually.

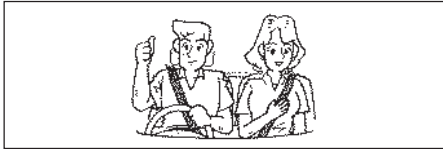
⚠ WARNING

If water gets into the brake drums, brake performance may become poor and unpredictable.

After driving through water or washing the underside of the vehicle, test the brakes while driving at a slow speed to see if they have maintained their normal effectiveness. If the brakes are less effective than normal, dry them by repeatedly applying the brakes while driving slowly until the brakes have regained their normal effectiveness.

DRIVING TIPS

Running-in	6-1
Catalytic Converter	6-1
Improving Fuel Economy	6-2
Highway Driving	6-3
Driving on Hills	6-3
Driving on Slippery Roads	6-3
Do's and Don'ts for Safe Driving	6-5



MH0-04-001

⚠ WARNING

- **Wear Your Seat Belts at All Times.** Even though air bags are equipped at the front seating positions, the driver and all passengers should be properly restrained at all times, using the seat belts provided. Refer to the “Seat Belts and Child Restraint Systems” section for instructions on proper use of the seat belts.
- **Never drive while under the influence of alcohol or other drugs.** Alcohol and drugs can seriously impair your ability to drive safely, greatly increasing the risk of injury to yourself and others. You should also avoid driving when you are tired, sick, irritated, or under stress.

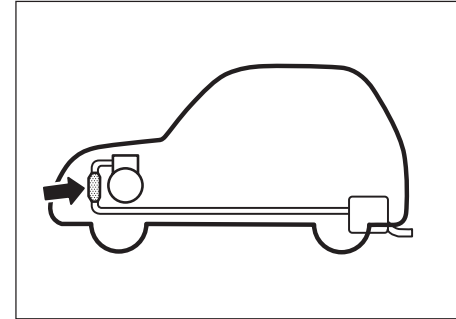
Running-in

NOTICE

The future performance and reliability of the engine depends on the care and restraint exercised during its early life. It is especially important to observe the following precautions during the initial 960 km of vehicle operation.

- After starting, do not race the engine. Warm it up gradually.
- Avoid prolonged vehicle operation at a constant speed. Moving parts will break in better if you vary your speed.
- Start off from a stop slowly. Avoid full throttle starts.
- Avoid hard braking, especially during the first 320 km of driving.
- Do not drive slowly with the transaxle in a high gear.
- Drive the vehicle at moderate engine speeds.
- Do not tow a trailer during the first 960 km of vehicle operation.

Catalytic Converter



MH0-04-002

The purpose of the catalytic converter is to minimize the amount of harmful pollutants in your vehicle’s exhaust. Use of leaded fuel in vehicles equipped with catalytic converters is prohibited, because lead deactivates the pollutant-reducing components of the catalyst system.

The converter is designed to last the life of the vehicle under normal usage and when unleaded fuel is used. No special maintenance is required on the converter. However, it is very important to keep the engine properly tuned. Engine misfiring, which can result from an improperly tuned engine, may cause overheating of the catalyst. This may result in permanent heat damage to the catalyst and other vehicle components.

NOTICE

To avoid damaging catalyst or other vehicle damage:

- Maintain the engine in the proper operating condition.
- In the event of an engine malfunction, particularly one involving engine misfiring or other apparent loss of performance, have the vehicle serviced promptly.
- Do not turn off the engine or interrupt the ignition when the transaxle is in gear and the vehicle is in motion.
- Do not try to start the engine by pushing or towing the vehicle, or coasting down a hill.
- Do not idle the engine with any spark plug wires disconnected or removed, such as during diagnostic testing.
- Do not idle the vehicle for prolonged periods if idling seems rough or there are other malfunctions.
- Do not allow the fuel tank to get near the empty level.
- Avoid driving your vehicle at excessively high engine speed in.



MH0-04-003

▲ WARNING

Be careful in areas where you park and drive; the catalytic converter and other exhaust components can get very hot. As with any vehicle, do not park or operate this vehicle in areas where combustible materials such as dry grass or leaves can come in contact with a hot exhaust system.

Improving Fuel Economy

The following instructions will help you improve fuel economy.

Avoid excessive idling

If you are to wait for more than a minute while you are parked, stop the engine and start it again later. When warming up a cold

engine, do not allow the engine to idle or apply full throttle until the engine has reached operating temperature. Allow the engine to warm up by driving.

Avoid "fast" starts

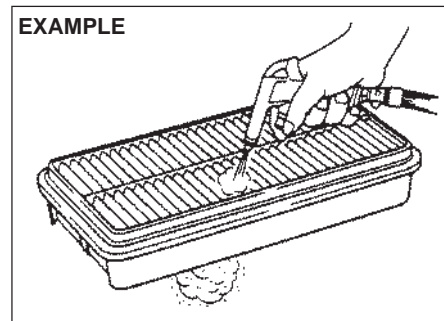
Fast starts away from lights or stop signs will consume fuel unnecessarily and shorten engine life. Start off slowly.

Avoid unnecessary stops

Avoid unnecessary deceleration and stopping. Try to maintain a slow, steady speed whenever possible. Slowing down and then accelerating again uses more fuel.

Keep a steady cruising speed

Keep as constant a speed as road and traffic conditions will permit.

Keep the air cleaner clean**EXAMPLE**

MH0-04-004

If the air cleaner is clogged with dust, there will be greater intake resistance, resulting in decreased power output and increased fuel consumption.

Keep weight to a minimum

The heavier the load, the more fuel the vehicle consumes. Take out any luggage or cargo when it is not necessary.

Keep tire pressures correct

Underinflation of the tires can waste fuel due to increased running resistance of the tires. Keep your tires inflated to the correct pressure shown on the label on the driver's side door or the driver's door lock pillar.

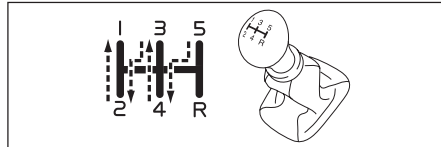
Highway Driving

When driving at highway speeds, pay attention to the following:

- Stopping distance progressively increases with vehicle speed. Apply the brakes far enough ahead of the stopping point to allow for the extra stopping distance.
- On rainy days, "Hydroplaning" can occur. "Hydroplaning" is the loss of direct contact between the road surface and the vehicle's tires due to a water film forming between them. Steering or braking the vehicle while "Hydroplaning" can be very difficult, and loss of control can occur. Keep speed down when the road surface is wet.

- At high speeds, the vehicle may be affected by side winds. Therefore, reduce speed and be prepared for unexpected buffeting, which can occur at the exits of tunnels, when passing by a cut of a hill, or when being overtaken by large vehicles, etc.

Driving on Hills



MH0-04-005

- When climbing steep hills, the vehicle may begin to slow down and show a lack of power. If this happens, you should shift to a lower gear so that the engine will again be operating in its normal power range. Shift rapidly to prevent the vehicle from losing momentum.
- When driving down a hill, the engine should be used for braking by shifting into a lower gear.

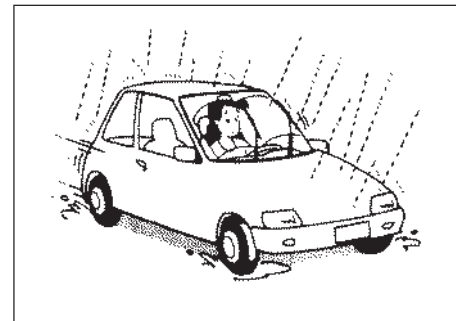
▲ WARNING

Try not to hold the brake pedal down too long or too often while going down a steep or long hill. This could cause the brakes to overheat, resulting in reduced braking efficiency. Failure to take this precaution could result in loss of vehicle control.

NOTICE

When descending a down hill, NEVER turn the ignition key to the "OFF" position. Emission control system damage may result.

Driving on Slippery Roads



MH0-04-006

Under wet road conditions you should drive at a lower speed than on dry roads due to possible slippage of tires during braking. When driving on icy, snow-covered, or muddy roads, reduce your speed and avoid sudden acceleration, abrupt braking, or sharp steering movements.

If Your Vehicle Gets Stuck

If your vehicle gets stuck in snow, mud, or sand, follow the directions below:

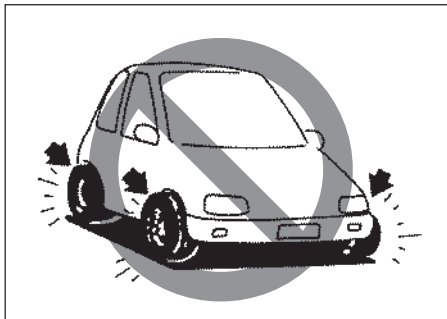
- 1) Shift the transaxle back and forth between a forward range (or first gear for manual transaxle) and reverse. This will create a rocking motion which may give you enough momentum to free the vehicle. Press gently on the accelerator to keep wheel spinning to a minimum wheel rpm. Remove your foot from the accelerator while shifting. Do not race the engine. Excessive wheel spin will cause the tires to dig deeper, making it more difficult to free the vehicle.
- 2) If your vehicle remains stuck after a few minutes of rocking, get another vehicle to pull your vehicle out.

⚠ WARNING

Do not allow anyone to stand near the vehicle when you are rocking it, and do not spin the wheels faster than an indicated 40 km/h (25 mph) on the speedometer. Personal injury and/ or vehicle damage may result from spinning the wheels too fast.

NOTICE

Do not continue rocking the vehicle for more than a few minutes. Prolonged rocking can cause engine overheating or transaxle damage.



MH0-04-007

⚠ WARNING

In addition to following the driving tips in this section, it is important to observe the following precautions.

- Make sure your tires are in good condition and always maintain the specified tire pressure. Refer to “Tires” in the “INSPECTION AND MAINTENANCE” section for details.
- Do not use tires other than those specified by MARUTI SUZUKI. Never use different sizes or types of tires on the front and rear wheels. For information regarding the specified tires, refer to the Tire Information Label located on the driver’s door lock pillar.
- Never use oversized tires or special shock absorbers and springs to raise (jack up) your vehicle. This will change the handling characteristics. Oversized tires may also rub against the fender over bumps, causing vehicle damage or tire failure.
- After driving through water, test the brakes while driving at a slow speed to see if they have maintained their normal effectiveness. If the brakes are less effective than normal, dry them by repeatedly applying the brakes while driving slowly until the brakes have regained their normal effectiveness.

DRIVING ON WET ROADS

⚠ CAUTION

- When driving on wet roads, avoid driving through large amount of standing water on the road. Large amount of water entering the engine compartment may cause damage to the engine and or electrical components.
- If stuck in deep water, do not start till water level drops.
- Water is incompressible substance, water inside engine is harmful to the engine.

⚠ WARNING

- Make sure your tyres are in good condition and always maintain the specified tyre pressure. Refer to “TYRES” in the “INSPECTION AND MAINTENANCE” section for details.
- Do not use tyres other than those specified by MARUTI SUZUKI. Never use different sizes or types of tyres on the front and rear wheels. For information regarding the specified tyres, refer to the “SPECIFICATIONS” section. →

⚠ WARNING

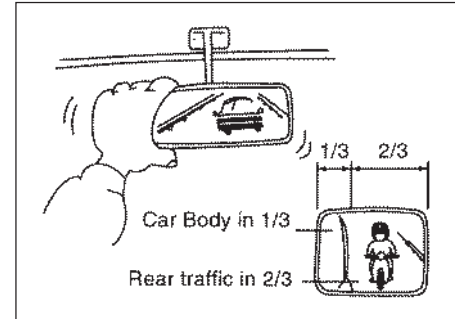


- Never use oversized tyres or special shock absorbers and springs to raise (jack up) your vehicle. This will change the handling characteristics.
- After driving through water, test the brakes while driving at a slow speed to see if they have maintained their normal effectiveness. If the brakes are less effective than normal, dry them by repeatedly applying the brakes while driving slowly until the brakes have regained their normal effectiveness.

DO'S AND DON'TS FOR SAFE DRIVING

Exercise care in handling your vehicle. Be conscious of not only your own safety but also the safety of others on the road, and thus enjoy the best and most comfortable driving experience.

This section contains basic rules for safe driving. Read it carefully for good understanding of the content so that you can enjoy safe and pleasant driving in your Maruti Suzuki vehicle.



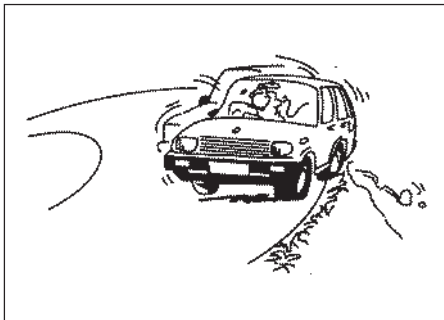
MH0-04-008

Starting

1. Adjust the driver's seat for the proper driving posture.
2. Adjust the rear view mirror so as to obtain the best possible rear view.
3. Before moving off, look forward and back to confirm safety.
4. Don't start quickly, for it is dangerous and wastes fuel.

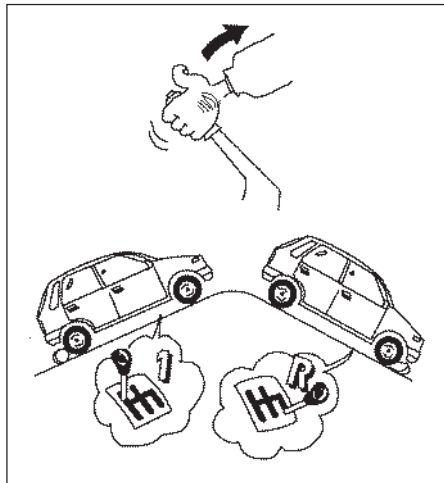
General driving

1. Be sure to stop before the stop light and stop sign. When moving into the intersection without any traffic lights or signs, drive slowly to confirm safety.



MH0-04-009

2. Always follow other vehicles at a safe distance in order to prevent a rear-end collision, should the vehicle ahead make a sudden stop.
3. Turn ON the turn signal at least 30 meters before making a turn or changing the lane so as not to be hit from behind.
4. Before entering a corner, decelerate to a safe speed. Don't apply brakes during cornering, or a cornering skid may occur.
5. When overtaking other vehicles, watch out for the oncoming vehicle and carefully confirm the safety.
6. Don't attempt zigzag driving which will hinder your control over the vehicle and cause an accident.

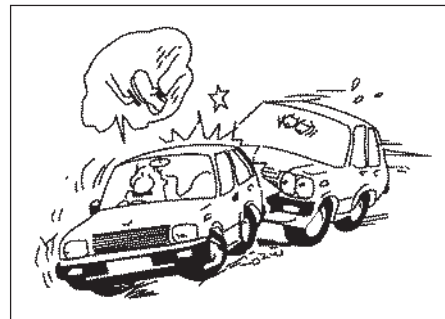


MH0-04-010

Braking

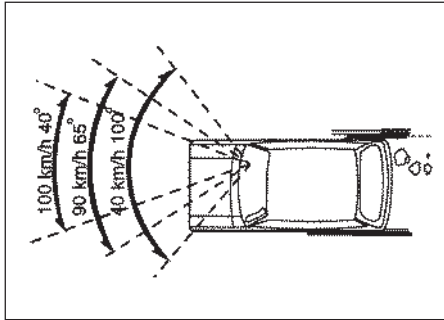
1. Use the parking brake when parking your vehicle and shift the gear shift lever into the first gear or reverse gear position for the sake of safety.
2. Don't use handbraking unless unavoidable. It causes the vehicle to skid and a rearend collision occur. It is especially dangerous when the tyres are worn, for they allow a larger skid.

- Use foot brake in three stages
- (1) Warn the vehicle behind you
 - (2) Gradually apply the brake.
 - (3) Bring the vehicle to a halt.

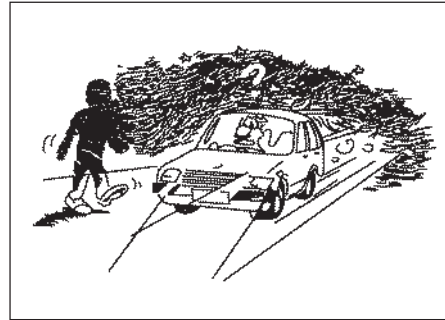


MH0-04-011

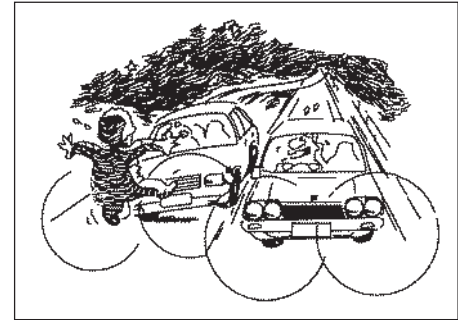
3. When driving on a downhill, try not to apply the brake but use the engine brake effectively. Overuse of the footbrake may result in total brake failure.
4. Avoid reckless high speed driving and try to drive at a safe speed suitable for the road conditions while maintaining a constant speed.



MH0-04-012



MH0-04-013



MH0-04-014

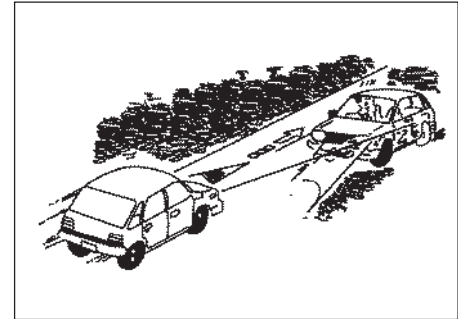
5. The higher the speed, the narrower the driver's visual range becomes. In such a state, it is difficult to anticipate any hazard and the driver feels much fatigued.
6. Never do sharp handling during high speed driving. You will lose your control over your vehicle.
7. When overtaking or changing the lane while driving at a high speed, keep an ample vehicle-to-vehicle distance.

Long distance driving

1. Be sure to perform safety checks before starting a trip.
2. Take rest at certain intervals to prevent an accident which may occur when you are sleepy or tired.

Night time driving

1. Drive more slowly at night than in the daytime, for the visual range is restricted at night.
2. Don't overtake other vehicles at night. Darkness bothers your sense of speed and hinders your judgement on the vehicle-to-vehicle distance.
3. Don't use the high headlight beam unless its use is inevitable. Its dazzle may blitz the driver of the oncoming vehicle, thus causing an accident.
4. Always keep the window glasses clean. Don't operate the windshield wiper when the windshield glass is dry or the wiper blade and glass may get damaged.



MH0-04-015

MARGIN FOR SAFETY

It is important to allow yourself a margin for safety during driving so that you can cope with erroneous or unexpected driving of

other drivers. For that, observe the following.

- Drive at a safe speed.
- Maintain a sufficient distance between your vehicle and the vehicle ahead.
- Don't force yourself to overtake other vehicles.
- Don't make quick start, hard steering or sudden stops.
- Allow an ample time in the driving schedule.
- Observe traffic rules and regulations.

CONCLUSION

A perfect driver does not exist. The endeavour of every motorist should be to strive for perfection. Safety consciousness not only ensures your safety and the safety of other road users, it also helps reduce the wear and tear on your vehicle, prolongs its life, gives more mileage and ensures a comfortable driving experience.

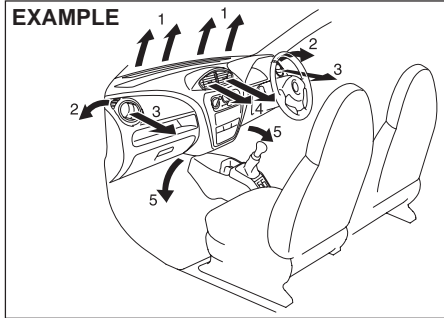
Follow the do's and don'ts listed, and driving will never be the same again.

MEMO

OTHER CONTROLS AND EQUIPMENT

Manual Heating and Air Conditioning System (if equipped).....	7-1
Fuel Filler Cap	7-4
Engine Hood	7-5
Sun Visor	7-6
Interior Light Switch	7-6
Assist Grips (if equipped)	7-7
Glove Box	7-7
Cup Holder	7-7
Floor Mats (if equipped)	7-7
Frame Hooks	7-8

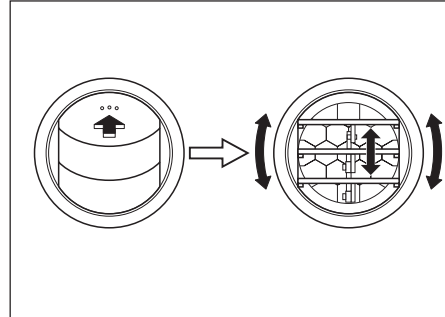
Manual Heating and Air Conditioning System (if equipped)



MH0-05-001

1. Windshield defroster outlet
2. Side defroster outlet
3. Side outlet
4. Center outlet
5. Front floor outlet

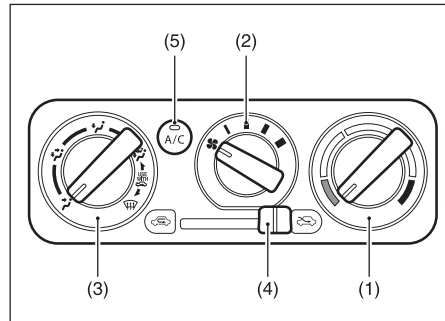
Side outlet



MH0-05-002

When "Open", air comes out regardless of the air flow selector position.

Description of Controls



MH0-05-003

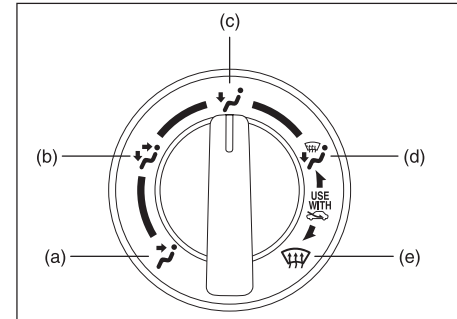
Temperature selector (1)

This is used to select the temperature by turning the selector.

Blower speed selector (2)

This is used to turn on the blower and to select blower speed by turning the selector.

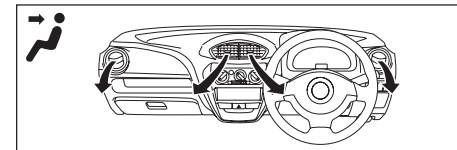
Air flow selector (3)



MH0-05-004

This is used to select one of the functions described below.

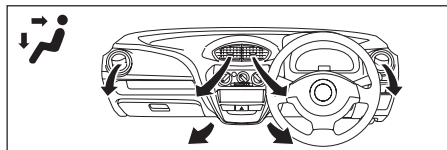
Ventilation (a)



MH0-05-005

Temperature-controlled air comes out of the center and side air outlets.

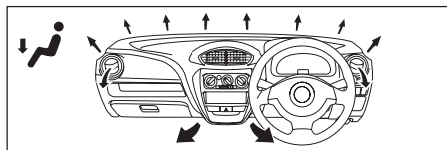
Bi-level (b)



MH0-05-006

Temperature-controlled air comes out of the floor outlets and cooler air comes out of the center and side outlets. When the temperature selector (1) is in the fully COLD position or fully HOT position, however, the air from the floor outlets and the air from the center and side outlets will be the same temperature.

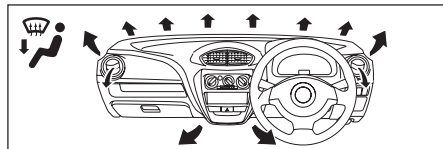
Heat (c)



MH0-05-007

Temperature-controlled air comes out of the floor outlets and the side outlets, also comes out of the windshield defroster outlets and also comes slightly out of the side defroster outlets.

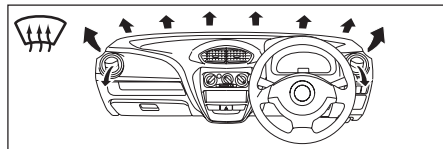
Heat & defrost (d)



MH0-05-008

Temperature-controlled air comes out of the floor outlets, the windshield defroster outlets, the side defroster outlets and the side outlets.

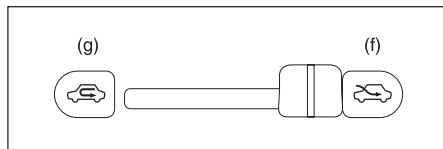
Defrost (e)



MH0-05-009

Temperature-controlled air comes out of the windshield defroster outlets, the side defroster outlets and the side outlets.

Air intake selector (4)



MH0-05-010

This selector is used to select the following modes.

Fresh Air (f)

When this mode is selected by moving the lever to right, outside air is used.

Recirculated Air (g)

When this mode is selected by moving the lever to left, outside air is shut out and inside air is recirculated. This mode is suitable when driving through dusty or polluted air such as in a tunnel, or when attempting to quickly cool down the interior.

NOTE:

If you select "RECIRCULATED AIR" for an extended period of time, the air in the vehicle can become contaminated. Therefore, you should occasionally select "FRESH AIR".

Air conditioning switch (5) (if equipped)

To turn on the air conditioning system, set the blower speed selector to a position other than "OFF" and push in the "A/C" switch. With this "A/C" switch operation, a indicator light will come on when the air conditioning system is on. To turn off the air conditioning system, push the "A/C" switch again.

During operation of the air conditioner, you may notice slight changes in engine speed. These changes are normal, the system is designed so that the compressor turns on

or off to maintain the desired temperature.

Less operation of the compressor results in better fuel economy.

System Operating Instructions

Natural ventilation

Select "VENTILATION" and "FRESH AIR", the temperature selector to the desired temperature position, and the blower speed selector to "OFF". Fresh air will flow through the vehicle during driving.

Forced ventilation

The control settings are the same as for natural ventilation except you set the blower speed selector to a position other than "OFF".

Normal heating (using outside air)

Select "HEAT" and "FRESH AIR", the temperature selector to the desired temperature position and the blower speed selector to the desired blower speed position. Setting the blower speed selector to a higher blower speed position increases heating efficiency.

Quick heating (using recirculated air)

The control settings are the same as for normal heating except you select "RECIRCULATED AIR". If you use this heating method for an extended period of time, the air in the vehicle can become

contaminated and the windows can become misty. Therefore, use this method only for quick heating and change to the normal heating method as soon as possible.

Head cooled/Feet warmed heating

Select "BI-LEVEL" and "FRESH AIR", the temperature selector to the desired temperature position, and the blower speed selector to the desired blower speed position. Unless the temperature selector is in the fully COLD position or fully HOT position, the air that comes out of the center and side outlets will be cooler than the air that comes out of the floor outlets.

Normal cooling

Set the air flow selector to "VENTILATION", the temperature selector to the desired temperature position and the blower speed selector to the desired blower speed position, and turn on the "A/C" switch. Setting the blower speed selector to a higher blower speed position increases cooling efficiency.

You can switch the air intake selector to either "FRESH AIR" or "RECIRCULATED AIR" as you desire. Choosing "RECIRCULATED AIR" increases cooling efficiency.

Quick cooling (using recirculated air)

The control settings are the same as for

normal cooling except you select "RECIRCULATED AIR" and the highest blower speed.

NOTE:

- To turn on the air conditioning system, push in the "A/C" switch and set the blower speed selector to a position other than "OFF". With this "A/C" switch operation, an indicator light will come on when the air conditioning system is on. To turn off the air conditioning system, push the "A/C" switch again.
- During operation of the air conditioner, you may notice slight changes in engine speed. These changes are normal, the system is designed so that the compressor turns on or off to maintain the desired temperature. Less operation of the compressor results in better fuel economy.

NOTE:

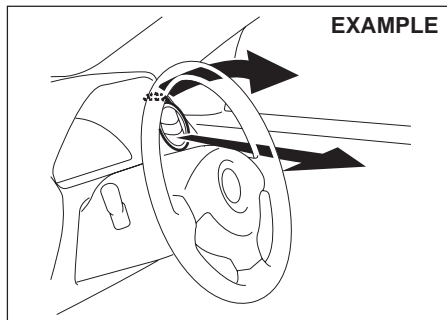
- If you select "RECIRCULATED AIR" for an extended period of time, the air in the vehicle can become contaminated. Therefore, you should occasionally select "FRESH AIR".
- If your vehicle has been left in the sun with the windows closed, it will cool faster if you open the windows briefly while you operate the air conditioner with the air intake selector at "FRESH AIR" and the blower at high speed.

Dehumidifying

Set the air flow selector to a desired air flow selector position, the temperature selector to the desired temperature position and the blower speed selector to the desired blower speed position. Also select "FRESH AIR" and turn on the "A/C" switch.

NOTE:

Because the air conditioner dehumidifies the air, turning it on will help keep the windows clear, even when blowing heated air using the "DEFROST" or "HEAT & DEFROST" functions.



MH0-05-011

NOTE:

If you need maximum defrosting:

- set the air flow selector to "DEFROST";
- set the blower speed selector to HIGH,

- adjust the temperature selector to the HOT end, and
- adjust the side outlets so the air blows on the side windows.

Maintenance

If you do not use the air conditioner for a long period, such as during winter, it may not give the best performance when you start using it again. To help maintain optimum performance and durability of your air conditioner, it needs to be run periodically. Operate the air conditioner at least once a month for one minute with the engine idling. This circulates the refrigerant and oil and helps protect the internal components.

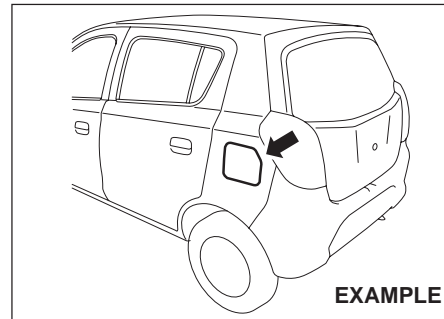
NOTE:

Your vehicle uses the air conditioning refrigerant HFC-134a, commonly called "R-134a". R-134a replaced R-12 around 1993 for automotive applications. Other refrigerants are available, including recycled R-12, but only R-134a should be used in your vehicle.

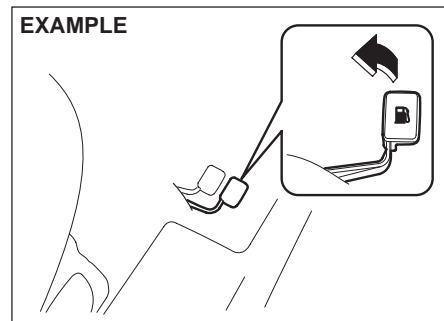
NOTICE

Using the wrong refrigerant may damage your air conditioning system. Use R-134a only. Do not mix or replace the R-134a with other refrigerants.

Fuel Filler Cap



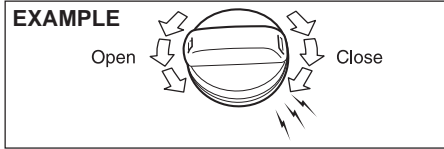
MH0-05-012



MH0-05-013

The fuel filler cap is located on the left rear side of the vehicle. The fuel filler door can be unlocked by pulling up the opener lever

located on the outboard side of the driver's seat and locked by simply closing the door.

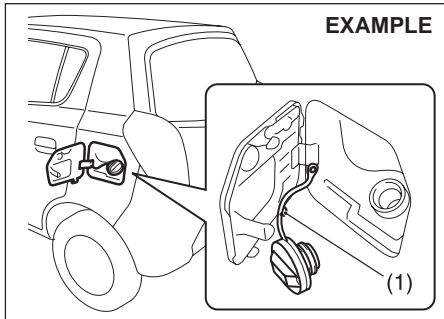


To remove the fuel filler cap:

- 1) Open the fuel filler door.
- 2) Remove the cap by turning it counter-clockwise.

CAUTION

Remove the fuel filler cap slowly. The fuel may be under pressure and may spray out, causing injury.



NOTE:

If the cap holder (1) is equipped with the fuel filler door, hold the fuel filler cap when refueling.

To reinstall the fuel filler cap:

- 1) Turn the cap clockwise until you hear several clicks.
- 2) Close the fuel filler door.

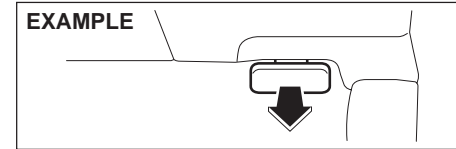
WARNING

Fuel is extremely flammable. Do not smoke when refueling, and make sure there are no open flames or sparks in the area.

WARNING

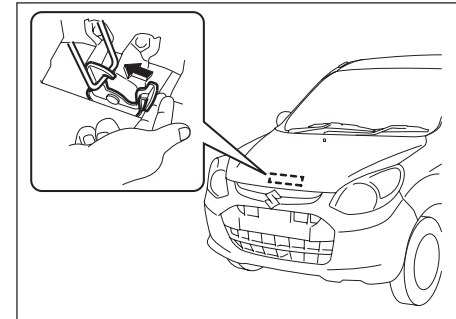
If you need to replace the fuel cap, use a Maruti Genuine cap. Use of an improper cap can result in a malfunction of the fuel system or emission control system. It may also result in fuel leakage in the event of an accident.

Engine Hood

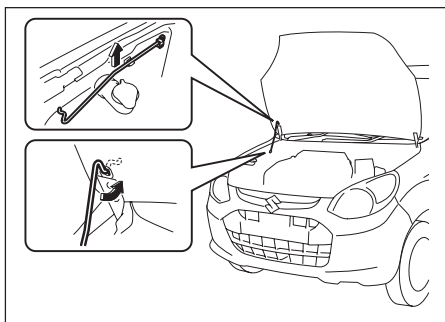


To open the engine hood:

- 1) Pull the hood release handle located on the outboard side of the driver's side. This will disengage the engine hood lock halfway.



- 2) Push the under-hood release lever sideways with your finger, as shown in the illustration. While pushing the lever, lift up the engine hood.



MH0-05-018

- 3) Continue to lift up the hood until it is high enough to support with the prop rod.

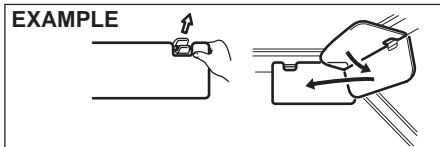
To close the engine hood:

- 1) Lift the hood up slightly and remove the prop rod from the hole. Put the prop rod back to the holding clip.
- 2) Lower the hood close to the bumper, then let it drop down. Make sure the hood is securely latched after closing.

⚠ WARNING

Make sure the hood is fully closed and latched before driving. If it is not, it can fly up unexpectedly during driving, obstructing your view and resulting in an accident.

Sun Visor



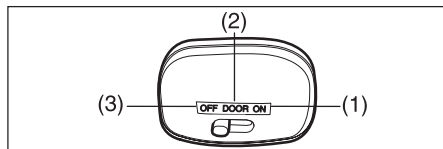
MH0-05-019

The sun visors can be pulled down to block glare coming through the windshield, or they can be unhooked and turned to the side to block glare coming through the side window.

NOTICE

When unhooking and hooking a sun visor, be sure to handle it by the hard plastic parts or the sun visor can be damaged.

Interior Light Switch



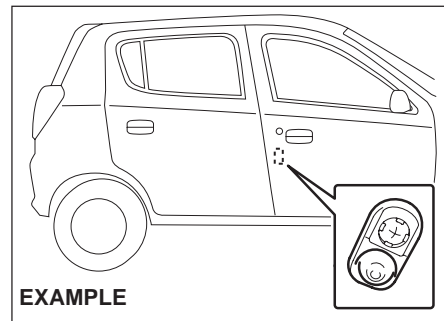
MH0-05-020

This light switch has three positions which function as described below:

- (1) The light comes on and stays on

regardless of whether the door is open or closed.

- (2) The light comes on when the door is opened.
 (3) The light remains off even when the door is opened.

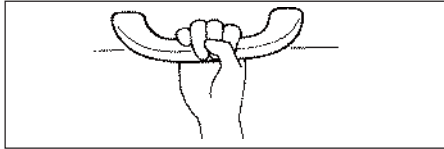


MH0-05-021

NOTE:

The number of doors involved in the lighting operation of the interior light depends on the vehicle specification. If there is a switch (rubber projection) at the door opening as shown, the door is involved in the lighting operation. The tailgate is also involved in this operation even without the rubber projection.

Assist Grips (if equipped)



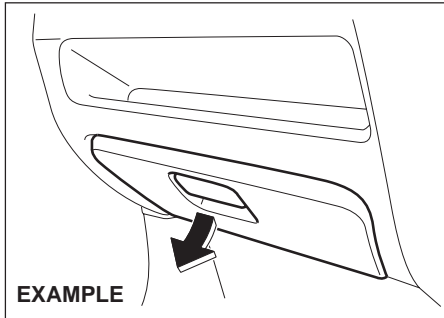
MH0-05-022

Assist grips are provided for convenience.

NOTICE

To avoid damaging the assist grip and the molded headlining, do not hang down the assist grip.

Glove Box



MH0-05-023

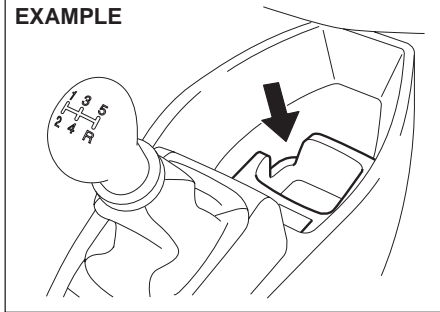
To open the glove box, pull the latch lever.

To close it, push the lid until it latches securely.

▲ WARNING

Never drive with the glove box lid open. It could cause injury if an accident occurs.

Cup Holder



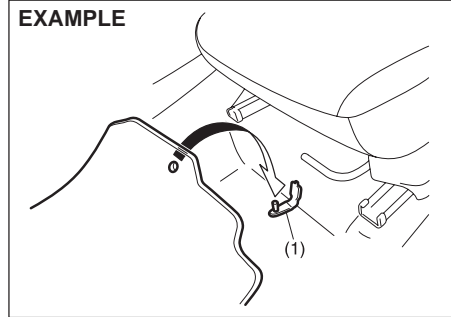
MH0-05-024

The cup holders are provided in the center console.

▲ CAUTION

Do not use the cup holder to hold cups containing hot liquids, or sharpedged, hard or breakable objects. Objects in the cup holder may be thrown about during a sudden stop or impact, and could cause personal injury.

Floor Mats (if equipped)



MH0-05-025

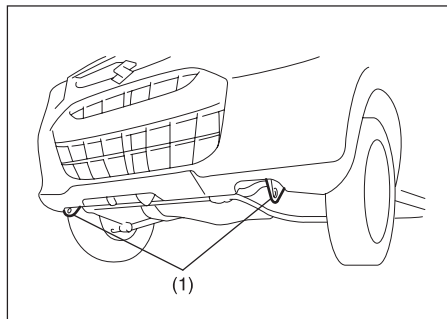
To prevent the driver's side floor mat from sliding forward and possibly interfering with the operation of the pedals, MARUTI GENUINE floor mats are recommended. Whenever you put the driver's side floor mat back in the vehicle after it has been removed, be sure to hook (if equipped) the floor mat grommet(s) to the fastener(s) and position the floor mat properly in the footwell.

When you replace the floor mats in your vehicle with a different type such as all-weather floor mats, we highly recommend using MARUTI GENUINE floor mats for proper fitting.

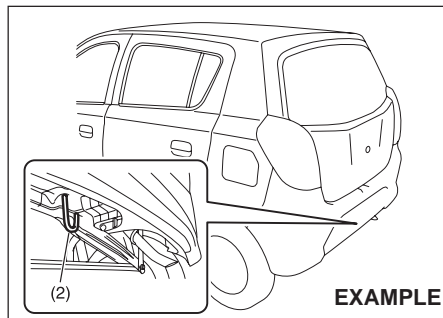
⚠ WARNING

Failure to take the following precautions may result in the driver's side floor mat interfering with the pedals and causing a loss of vehicle control or an accident.

- Make sure that the floor mat grommet(s) is (are) hooked to the fastener(s).
- Never place additional floor mats on top of the existing floor mats.

Frame Hooks**Front**

MH0-05-026

Rear

MH0-05-027

The frame hooks are provided on the front (1), rear (2) of the vehicle. The hooks (1) is used for emergency situations. The hooks (1) and (2) are used for trailer/train shipping purpose.

To tow your vehicle on the road or highway, follow the instruction of "Towing" in "EMERGENCY SERVICE" or "VEHICLE LOADING AND TOWING" section.

⚠ WARNING

Do not use the frame hooks to tow another vehicle or to have your vehicle towed on the road or highway. The hooks (1) is designed for use in emergency situations only, such as if your vehicle or another vehicle gets stuck in deep mud or snow. The hook (2) is provided for trailer/train shipping purposes.

NOTICE

When you use the towing hook (1), avoid the driving that gives significant physical shock on hook. Such operation can damage the hook, or the vehicle body. Do not sudden accelerate.

NOTICE

Never use the hook (2) for trailer/train shipping purposes to prevent damage to the vehicle.

MEMO

A large rectangular box containing horizontal lines for writing a memo. The lines are evenly spaced and cover most of the page area below the 'MEMO' header.

VEHICLE LOADING AND TOWING

Vehicle Loading	8-1
Trailer Towing	8-1

Vehicle Loading

Your vehicle was designed for specific weight capacities. The weight capacities of your vehicle are indicated by the Gross Vehicle Weight Rating (GVWR) and the Gross Axle Weight Rating (GAWR, front and rear). The GVWR and GAWR (front and rear) are listed in the "SPECIFICATIONS" section.

GVWR – Maximum permissible overall weight of the fully loaded vehicle (including all the occupants, accessories and cargo plus the trailer nose weight if towing a trailer).

GAWR – (Front and Rear) Maximum permissible weight on an individual axle.

Actual weight of the loaded vehicle and actual loads at the front and rear axles can only be determined by weighing the vehicle. Compare these weights to the GVWR and GAWR (front and rear). If the gross vehicle weight or the load on either axle exceeds these ratings, you must remove enough weight to bring the load down to the rated capacity.

▲ WARNING

Never overload your vehicle. The gross vehicle weight (sum of the weights of the vehicle, all the occupants, accessories, cargo plus trailer nose weight if towing a trailer) must never exceed the Gross Vehicle Weight Rating (GVWR). In addition, never distribute a load so that the weight on either the front or rear axle exceeds the Gross Axle Weight Rating (GAWR).

▲ WARNING

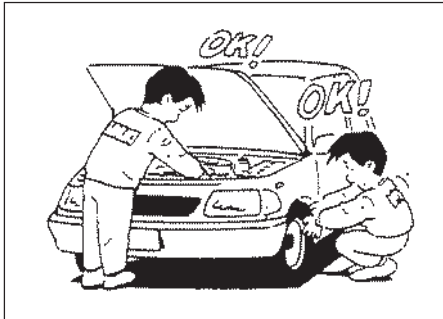
Always distribute cargo evenly. To avoid personal injury or damage to your vehicle, always secure cargo to prevent it from shifting if the vehicle moves suddenly. Place heavier objects on the floor and as far forward in the cargo area as possible. Never pile cargo higher than the top of the seat backs.

Trailer Towing

Your MARUTI SUZUKI was originally designed to carry people and a normal amount of cargo, not to tow a trailer. MARUTI SUZUKI does not recommend you use your vehicle to tow a trailer. Towing a trailer can adversely affect handling, durability, and fuel economy.

INSPECTION AND MAINTENANCE

Maintenance Schedule	9-1
Periodic Maintenance Schedule	9-2
Drive Belt	9-6
Engine Oil and Filter	9-6
Engine Coolant.....	9-9
Air Cleaner	9-10
Spark Plugs	9-10
Gear Oil	9-11
Clutch Pedal	9-12
Fuel Filter (if equipped)	9-13
Brakes	9-13
Steering	9-15
Tires	9-15
Battery	9-17
Fuses	9-18
Bulb Replacement.....	9-20
Wiper Blades	9-23
Windshield Washer Fluid	9-24
Air Conditioning System	9-24



MH0-07-001

⚠ WARNING

You should take extreme care when working on your vehicle to prevent accidental injury. Here are a few precautions that you should be especially careful to observe:

- To prevent damage or unintended activation of the air bag system or seat belt pretensioner system, be sure the battery is disconnected and the ignition switch has been in the "LOCK" position for at least 90 seconds before performing any electrical service work on your MARUTI SUZUKI. Do not touch air bag system components, seat belt pretensioner system components or



⚠ WARNING



- wires. The wires are wrapped with yellow tape or yellow tubing, and the couplers are yellow for easy identification.
- Do not leave the engine running in garages or other confined areas.
- When the engine is running, keep hands, clothing, tools, and other objects away from the fan and drive belt. Even though the fan may not be moving, it can automatically turn on without warning.
- When it is necessary to do service work with the engine running, make sure that the parking brake is set fully and the transaxle is in Neutral.
- Do not touch ignition wires or other ignition system parts when starting the engine or when the engine is running, or you could receive an electric shock.
- Be careful not to touch a hot engine, exhaust manifold and pipes, muffler, radiator and water hoses.
- Do not allow smoking, sparks, or flames around fuel or the battery. Flammable fumes are present.
- Do not get under your vehicle if it is supported only with the portable jack provided in your vehicle.

⚠ WARNING

- Be careful not to cause accidental short circuits between the positive and negative battery terminals.
- Keep used oil, coolant, and other fluids away from children and pets. Dispose of used fluids properly; never pour them on the ground, into sewers, etc.

Maintenance Schedule

The following table shows when regular maintenance on your vehicle is required. This table shows in kilometres and months when inspections, adjustments, lubrication and other services should be performed.

⚠ WARNING

MARUTI SUZUKI recommends that maintenance on your MARUTI SUZUKI vehicle be performed by MARUTI SUZUKI Authorised Dealer/Service Station.

CAUTION

Whenever it becomes necessary to replace parts on your vehicle, it is recommended that you use MARUTI GENUINE PARTS (MGP).

PERIODIC MAINTENANCE SCHEDULE

A....Adjust.

T....Tighten to specified torque.

R....Replace or change.

L....Lubricate.

I....Inspect and correct or replace if necessary.

C....Clean.

O....Rotate

Note:

This table includes services as scheduled up to 80,000 km mileage. Beyond 80,000 km, carry out the same services at the same intervals respectively.

Interval: This interval should be judged by odometer reading or months, whichever comes first.	km (x 1,000) months	FREE INSPECTIONS			PERIODIC MAINTENANCE SERVICE AT COST						
		1	5	10	20	30	40	50	60	70	80
		1	6	12	24	36	48	60	72	84	96
ENGINE											
1.	Water pump drive belt (tension, wear)	A	I	I	I	I	I	I	R	A	I
2.	Engine coolant (level, leakage)	I	I	I	R	I	R	I	R	I	R
3.	Engine oil (API GRADE SG+) & Oil filter	R	I	R	R	R	R	R	R	R	R
4.	Cooling system hoses and connections (leakage, damage)	I	I	I	I	I	I	I	I	I	I
5.	Engine bolts (All cylinder head and manifold fixings)	-	-	T	-	T	-	T	-	T	-
6.	Engine mounting (loose, damage)	-	-	T	-	T	-	T	-	T	-
7.	Valve clearance	-	A	-	A	-	A	-	A	-	A
8.	Camshaft timing belt (damage, wear)	-	-	-	I	-	I	-	I	-	I
Replace every 1,00,000 km											
9.	Exhaust system (noise, leakage or otherwise defective)	-	I	-	I	-	I	-	I	-	I
10.	Positive crankcase ventilation System (Hoses, connections and valve)	-	I	-	I	-	I	-	I	-	I
IGNITION											
1.	Ignition wiring, (damage, deterioration)	-	-	-	I	-	I	-	I	-	I
2.	Spark plugs (clean and adjust the gap)	-	-	I	R	I	R	I	R	I	R

INSPECTION AND MAINTENANCE

MH0-74E

Interval: This interval should be judged by odometer reading or months, whichever comes first.		km (x 1,000) months	FREE INSPECTIONS			PERIODIC MAINTENANCE SERVICE AT COST						
			1	5	10	20	30	40	50	60	70	80
			1	6	12	24	36	48	60	72	84	96
FUEL												
1.	Air cleaner	Paved-road	Clean every 5,000 km. Replace every 40,000 km.									
		Dusty condition	Clean every 2,500 km or as required. Replace every 40,000 km. More frequent replacement if dust condition is severe.									
2.	Accelerator cable and Throttle shafts	-	I&L	I&L	I&L	I&L	I&L	I&L	I&L	I&L	I&L	
3.	Fuel tank cap, fuel lines & connections(leakage,damage)	-	I	-	-	-	I	-	-	-	I	
4.	Fuel filter (leakage)	I	I	I	I	I	R	I	I	I	R	
CLUTCH AND TRANSMISSION												
1.	Clutch pedal (play)	I	I	I	I	I	I	I	I	I	I	
2.	Clutch slipping (dragging or excessive damage)	I	I	I	I	I	I	I	I	I	I	
3.	Manual Transmission/Transfer and Differential oil (level, leakage)	Replace every 1,60,000 kms or 10 years, which ever comes earlier										
DRIVE SHAFTS												
1.	Drive shafts boots (bent of boots damage)	-	I	I	I	I	I	I	I	I	I	
BRAKE												
1.	Brake fluid (level, leakage)	I	I	I	R	I	R	I	R	I	R	
2.	Brake pedal (pedal-to-wall clearance)	I	I	I	I	I	I	I	I	I	I	
3.	Parking brake lever and cable (play, damage)	I	I	I	I	I	I	I	I	I	I	
4.	a. Brake discs and pads, (wear)	-	I	I	I	I	I	I	I	I	I	
	b. Brake drums & shoes	-	-	I	I	I	I	I	I	I	I	
5.	Master cylinder and wheel cylinder or caliper (oil leakage, boot cut) (replace piston and boot kits)	I	I	I	I	I	R	I	I	I	R	
6.	Brake hoses and pipes (leakage, damage)	I	I	I	I	I	I	I	I	I	I	

Interval: This interval should be judged by odometer reading or months, whichever comes first.		km (x 1,000) months		FREE INSPECTIONS			PERIODIC MAINTENANCE SERVICE AT COST						
				1	5	10	20	30	40	50	60	70	80
				1	6	12	24	36	48	60	72	84	96
WHEEL													
1.	Tyres (air pressure, abnormal wear, crack, rotation)	I	I&O	I&O	I&O	I&O	I&O	I&O	I&O	I&O	I&O		
2.	Wheels (damage)	I	I	I	I	I	I	I	I	I	I		
3.	Front wheel bearings (loose, damage)	-	I	I	I	I	I	I	I	I	I		
4.	Rear wheel bearings (loose, damage)	-	I	I	I	I	I	I	I	I	I		
FRONT AND REAR SUSPENSION													
1.	Suspension strut (oil leakage, damage)	I	I	I	I	I	I	I	I	I	I		
2.	Suspension arms and knuckle supports (loose,damage)	-	I	I	I	I	I	I	I	I	I		
3.	Rear spring (damage)	-	I	I	I	I	I	I	I	I	I		
4.	Shock absorbers (oil leakage, damage)	I	I	I	I	I	I	I	I	I	I		
5.	All bolts and nuts (loose)	-	T	T	T	T	T	T	T	T	T		
6.	Suspension arms and Tension rods	-	I	I	I	I	I	I	I	I	I		
STEERING													
1.	Steering wheel (play, loose)	I	I	I	I	I	I	I	I	I	I		
2.	All rods and arms (loose, damage, wear)	I	I	I	I	I	I	I	I	I	I		
ELECTRICAL													
1.	Battery electrolyte (level, leakage)	I	I	I	I	I	I	I	I	I	I		
2.	Wiring harness connection (looseness, damage)	-	I	I	I	I	I	I	I	I	I		
3.	Lighting system (operation, stains, damage)	I	I	I	I	I	I	I	I	I	I		
4.	Horn (operation)	I	I	I	I	I	I	I	I	I	I		
5.	System voltage	I	I	I	I	I	I	I	I	I	I		
BODY													
1.	All chassis bolts and nuts (tighten)	-	I	T	T	T	T	T	T	T	T		
2.	All Latches, Hinges & Locks (function)	I	I&L	I&L	I&L	I&L	I&L	I&L	I&L	I&L	I&L		

INSPECTION AND MAINTENANCE

MH0-74E

Interval: This interval should be judged by odometer reading or months, whichever comes first.	km (x 1,000) months	FREE INSPECTIONS			PERIODIC MAINTENANCE SERVICE AT COST							
		1	5	10	20	30	40	50	60	70	80	
		1	6	12	24	36	48	60	72	84	96	
ROAD TEST												
1.	Operation of Brakes, Gear shifting & speedometer	I	I	I	I	I	I	I	I	I	I	
2.	Body and Chassis noise	I	I	I	I	I	I	I	I	I	I	
AIR CONDITIONER (if equipped)												
1.	Check belt tension	I	I	I	I	I	I	I	I	I	I	
2.	Tighten compressor mounting bolts	-	T	T	T	T	T	T	T	T	T	
3.	Check all hose joints, tighten if necessary	I	I	I	I	I	I	I	I	I	I	
4.	Check functioning of Recirc flap	I	I	I	I	I	I	I	I	I	I	
5.	Clean condenser with low pressure water	-	C	C	C	C	C	C	C	C	C	
6.	Check belt for frayed edges, change if necessary	-	I	I	I	I	I	I	I	I	I	
7.	Check all mounting bolts	-	I	I	I	I	I	I	I	I	I	

Drive Belt

⚠ WARNING

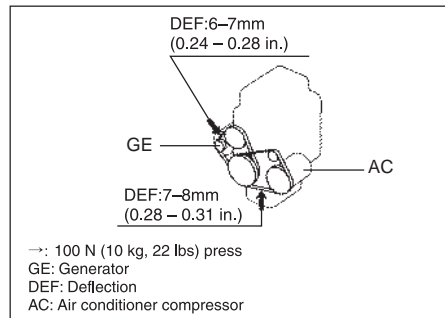
When the engine is running, keep hands, hair, clothing, tools, etc. away from the moving fan and drive belts.

Make sure the drive belt tension is correct. If the belt is too loose, insufficient battery charging, engine overheating, poor power steering, poor air conditioning, or excessive belt wear can result. When you press the belt with your thumb midway between the pulleys, there should be a deflection according to the following chart.

The belts should also be examined to ensure that they are not damaged.

If you need to replace or adjust the belt have it done by your MARUTI SUZUKI dealer.

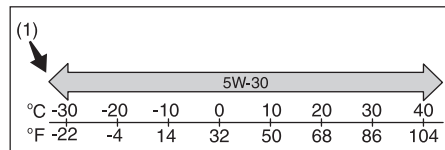
F8D



MH0-07-002

Engine Oil and Filter

Specified Oil



MH0-07-003

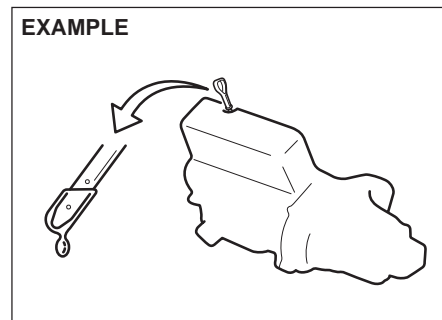
(1) Preferred

Be sure that the engine oil you use comes under the quality classification of SG+. Select the appropriate oil viscosity according to the above chart.

SAE 5W-30 (1) is the best choice for good fuel economy, and good starting in cold weather.

Oil Level Check

EXAMPLE



MH0-07-004

It is important to keep the engine oil at the correct level for proper lubrication of your vehicle's engine. Check the oil level with the vehicle on a level surface. The oil level indication may be inaccurate if the vehicle is on a slope. The oil level should be checked either before starting the engine or at least 5 minutes after stopping the engine.

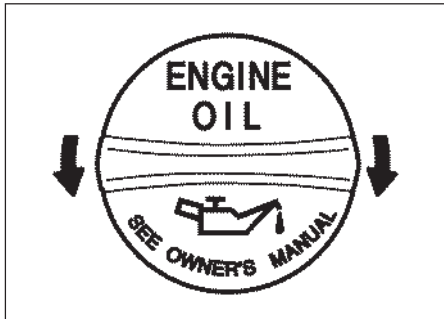
The handle of the engine oil dipstick is colored yellow for easy identification. Pull out the oil dipstick, wipe oil off with a clean cloth, insert the dipstick all the way into the engine, then remove it again. The oil on the stick

should be between the upper and lower limits shown on the stick. If the oil level indication is near the lower limit, add enough oil to raise the level to the upper limit.

NOTICE

Failure to check the oil level regularly could lead to serious engine trouble due to insufficient oil.

Refilling



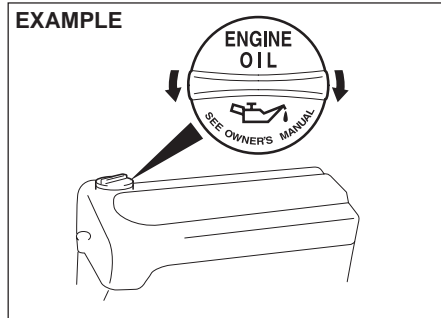
MH0-07-005

Remove the oil filler cap and pour oil slowly through the filler hole to bring the oil level to the upper limit on the dipstick. Be careful not to overfill. Too much oil is almost as bad as too little oil. After refilling, start the engine and allow it to idle for about a

minute. Stop the engine, wait about 5 minutes and check the oil level again.

Changing Engine Oil and Filter

Drain the engine oil while the engine is still warm.

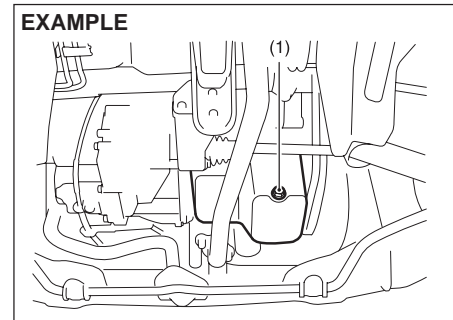


MH0-07-006

- 1) Remove the oil filler cap.
- 2) Place a drain pan under the drain plug.
- 3) Using a wrench, remove the drain plug and drain out the engine oil.

⚠ CAUTION

The engine oil temperature may be high enough to burn your fingers when the drain plug is loosened. Wait until the drain plug is cool enough to touch with your bare hands.



MH0-07-007

**Tightening torque for drain plug (1):
49 Nm (4.9 kg-m, 36.0 lb-ft)**

⚠ WARNING

New and used oil can be hazardous. Children and pets may be harmed by swallowing new or used oil. Keep new and used oil and used oil filters away from children and pets. Repeated, prolonged contact with used engine oil may cause skin cancer. Brief contact with used oil may irritate skin.

To minimize your exposure to used oil, wear a long-sleeve shirt and moisture-proof gloves (such as dishwashing gloves) when changing

⇨

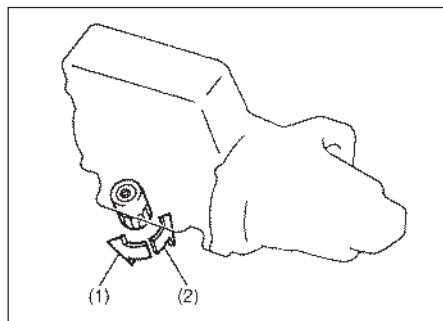
⚠ WARNING

oil. If oil contacts your skin, wash thoroughly with soap and water. Launder any clothing or rags if wet with oil.
Recycle or properly dispose of used oil and filters.

- 4) Reinstall the drain plug and gasket. Tighten the plug with a wrench to the specified torque.

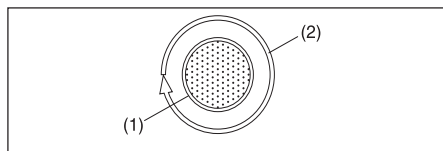
Replace the Oil Filter

- 1) Using an oil filter wrench, turn the oil filter counterclockwise and remove it.
- 2) Using a clean rag, wipe off the mounting surface on the engine where the new filter will be seated.
- 3) Smear a little engine oil around the rubber gasket of the new oil filter.
- 4) Screw on the new filter by hand until the filter gasket contacts the mounting surface.



MH0-07-008

- (1) Loosen
- (2) Tighten

Tightening (viewed from filter top)

MH0-07-009

- (1) Oil filter
- (2) 1 turn

NOTICE

To tighten the oil filter properly, it is important to accurately identify the position at which the filter gasket first contacts the mounting surface.

- 5) Tighten the filter specified turn from the point of contact with the mounting surface (or to the specified torque) using an oil filter wrench.

Tightening torque for oil filter

1 turn or

14 Nm (1.4 kg-m, 10.5 lb-ft)

NOTICE

To prevent oil leakage, make sure that the oil filter is tight, but do not over-tighten it.

Refill with Oil and Check for Leaks

- 1) Pour oil through the filler hole and install the filler cap.

For the approximate capacity of the oil, refer to the "CAPACITIES" item in the "SPECIFICATIONS" section.

- 2) Start the engine and look carefully for leaks at the oil filter and drain plug. Run the engine at various speeds for at least 5 minutes.
- 3) Stop the engine and wait about 5 minutes. Check the oil level again and add oil if necessary. Check for leaks again.

NOTICE

- When replacing the oil filter, it is recommended that you use a genuine MARUTI SUZUKI replacement filter. If you use an aftermarket filter, make sure it is of equivalent quality and follow the manufacturer's instructions.
- Oil leaks from around the oil filter or drain plug indicate incorrect installation or gasket damage. If you find any leaks or are not sure that the filter has been properly tightened, have the vehicle inspected by your MARUTI SUZUKI dealer.

Engine Coolant**Selection of Coolant**

To maintain optimum performance and durability of your engine, use MARUTI GENUINE Coolant or equivalent. This type of coolant is best for your cooling system as it:

- Helps maintain proper engine temperature.
- Gives proper protection against freezing and boiling.
- Gives proper protection against corrosion and rust.

Failure to use the proper coolant can damage your cooling system. Your

9-9

authorized MARUTI SUZUKI dealer can help you select the proper coolant.

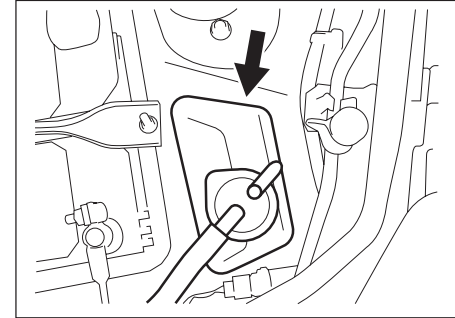
NOTICE

To avoid damaging your cooling system:

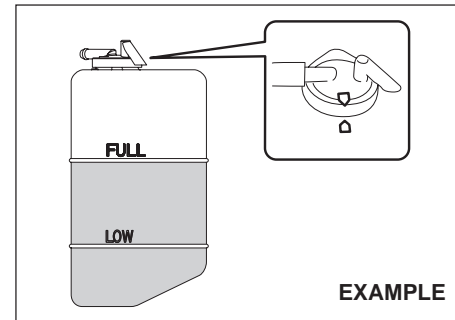
- Always use a high quality ethylene glycol base non-silicate type coolant diluted with distilled water at the correct mixture concentration.
- Make sure that the proper mix is 30/70 coolant to distilled water and in no case higher than 70/30. Concentrations greater than 70/30 coolant to distilled water will cause overheating conditions.
- Do not use straight coolant nor plain water.
- Do not add extra inhibitors or additives. They may not be compatible with your cooling system.
- Do not mix different types of base coolants. Doing so may result in accelerated seal wear and/or the possibility of severe overheating and extensive engine damage.

Coolant Level Check

Check the coolant level at the reservoir tank, not at the radiator. With the engine cool, the coolant level should be between the "FULL" and "LOW" marks.

Adding Coolant

MH0-07-010



MH0-07-011

If the coolant level is below the “LOW” mark, more coolant should be added. Remove the reservoir tank cap and add coolant until the reservoir tank level reaches the “FULL” mark. Never fill the reservoir tank above the “FULL” mark.

⚠ WARNING

Engine coolant is harmful or fatal if swallowed or inhaled. Do not drink antifreeze or coolant solution. If swallowed, do not induce vomiting. Immediately contact a poison control center or a physician. Avoid inhaling mist or hot vapors; if inhaled, remove to fresh air. If coolant gets in eyes, flush eyes with water and seek medical attention. Wash thoroughly after handling. Solution can be poisonous to animals. Keep out of the reach of children and animals.

NOTICE

- The mixture you use should contain **50% concentration of antifreeze.**
- If the lowest ambient temperature in your area is expected to be **-35°C (-31°F)** or below, use higher concentrations up to 60% following the instructions on the antifreeze container.

NOTICE

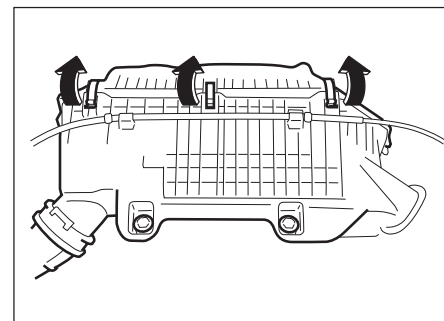
When putting the cap on the reservoir tank, line up the mark on the cap and the mark on the tank. Failure to follow this can result in coolant leakage.

Coolant Replacement

Since special procedures are required, we recommend you take your vehicle to your **MARUTI SUZUKI** dealer for coolant replacement.

Air Cleaner

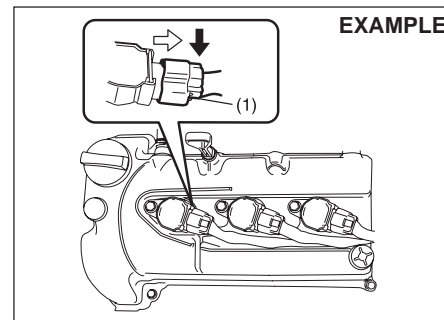
If the air cleaner is clogged with dust, there will be greater intake resistance, resulting in decreased power output and increased fuel consumption.



MH0-07-012

Unclamp the upper clamps, and remove the element from the air cleaner case. If it appears to be dirty, replace it with a new one.

Spark Plugs



MH0-07-013

For nickel spark plugs (traditional type):

You should inspect spark plugs periodically for carbon deposits. When carbon accumulates on a spark plug, a strong spark may not be produced. Remove carbon deposits with a wire or pin and adjust the spark plug gap.

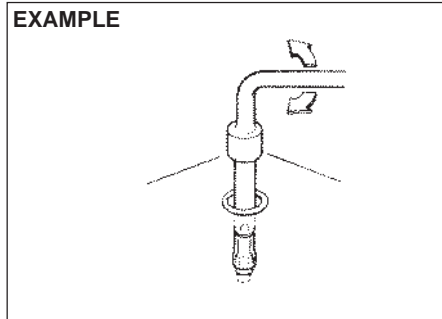
To access the spark plugs:

- 1) Unclamp and remove the bolt, then remove the air cleaner case.
- 2) If necessary, disconnect the coupler (1) while pushing the release lever.
- 3) Remove the bolts.
- 4) Pull the ignition coils out.

NOTE:

When installation, make sure the wires, couplers, are correctly returned in place.

EXAMPLE



MH0-07-015

Spark plug gap “a”
BOSCH YR7DC, NGK DCPR7E:
 0.8 - 0.9 mm (0.031 - 0.035 in.)

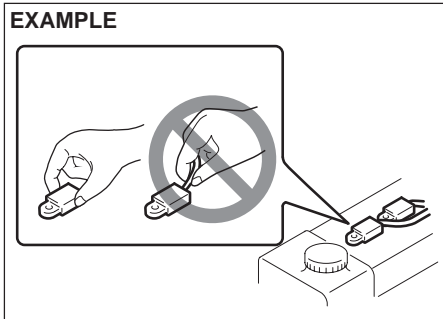
NOTICE

When replacing spark plugs, you should use the brand and type specified for your vehicle. For the specified plugs, refer to the “SPECIFICATIONS” section at the end of this book. If you wish to use a brand of spark plug other than the specified plugs, consult your MARUTI SUZUKI dealer.

NOTICE

- When installing the spark plugs, screw them in with your fingers to avoid stripping the threads. Tighten with a torque wrench to 17.5 Nm (1.8 kg-m, 13.0 lb-ft). Do not allow contaminants to enter the engine through the spark plug holes when the plugs are removed.
- Never use spark plugs with the wrong thread size.

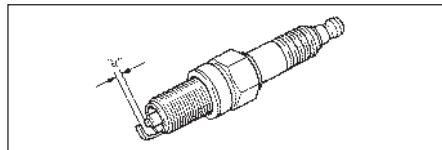
EXAMPLE



MH0-07-014

NOTICE

- When pulling the ignition coils out, do not pull on the cable. Pulling on the cable can damage it.



MH0-07-016

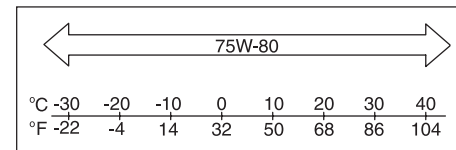
Gear Oil

Manual Transaxle Oil

When adding gear oil, use gear oil with the appropriate viscosity and grade.

We highly recommend you use: “MARUTI SUZUKI GEAR OIL 75W-80” for manual transaxle oil.

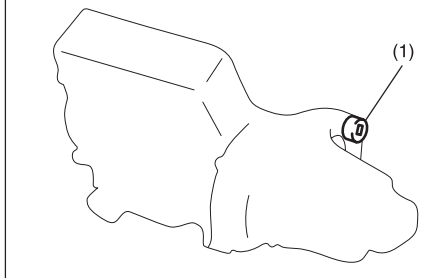
Manual transaxle oil (API GL-4)



MH0-07-017

Gear Oil Level Check Manual transaxle

EXAMPLE



MH0-07-018

(1) Oil filler and level plug

To check the gear oil level, use the following procedure:

- 1) Park the vehicle on a level surface with the parking brake applied. Then, stop the engine.
- 2) Remove the oil filler plug (1).
- 3) Check the inside of the hole with your finger. If the oil level comes up to the bottom of the plug hole, the oil level is correct. If so, reinstall the plug.
- 4) If the oil level is low, add gear oil through the oil filler plug hole (1) until the oil level reaches the bottom of the filler hole, then reinstall the plug.

Tightening torque (1):
21 Nm (2.1 kg-m, 15.5 lb-ft)

▲ CAUTION

After driving the vehicle, the transaxle oil temperature may be high enough to burn your skin. Wait until the oil filler plug is cool enough to touch with your bare hands before inspecting transaxle oil.

NOTICE

When tightening the plug, apply the following sealing compound or equivalent to the plug threads to prevent oil leakage.

Manual transaxle sealant:
MARUTI SUZUKI Bond No. "1216E" or "1217G"

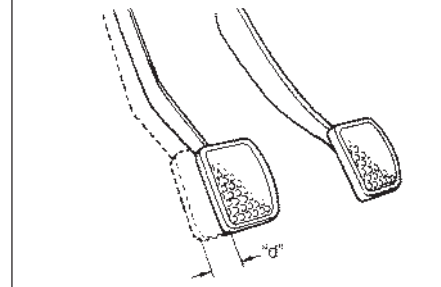
Gear Oil Change

Since special procedures, materials and tools are required, it is recommended that you trust this job to your authorized MARUTI SUZUKI dealer.

Clutch Pedal

Cable control clutch

EXAMPLE



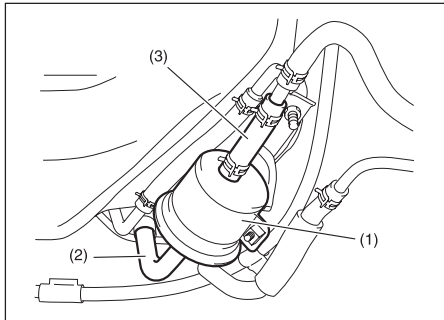
MH0-07-019

Clutch pedal play "d":
10 - 15 mm (0.4 - 0.6 in.)

Measure the clutch pedal play by moving the clutch pedal with your hand and measuring the distance it moves until you feel slight resistance. The play in the clutch pedal should be between the specified values. If the play is more or less than the above, or clutch dragging is felt with the pedal fully depressed, have the clutch inspected by your MARUTI SUZUKI dealer.

Fuel Filter (if equipped)

The fuel filter is located on the way of the fuel hose line under the vehicle body.



MH0-07-020

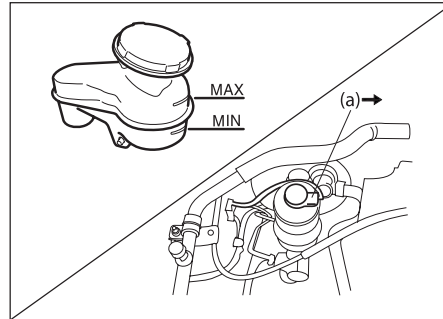
- (1) Fuel filter
- (2) Fuel inlet hose
- (3) Fuel outlet hose

Replace the Fuel Filter

Since special procedures are required, we recommend you take your vehicle to your MARUTI SUZUKI dealer for fuel filter replacement.

Brakes

Brake Fluid



MH0-07-021

Check the brake fluid level by looking at the reservoir in the engine compartment. Check that the fluid level is between the "MAX" and "MIN" lines. If the brake fluid level is near the "MIN" line, fill it up to the "MAX" line with MARUTI GENUINE BRAKE FLUID.

After closing the reservoir cap, align the direction of connector (a) as per the direction of the arrow, shown in the illustration

⚠ WARNING

Failure to follow the guidelines below can result in personal injury or serious damage to the brake system.

- If the brake fluid in the reservoir drops below a certain level, the brake warning light on the instrument panel will come on (the engine must be running with the parking brake fully disengaged). Should the light come on, immediately ask your MARUTI SUZUKI dealer to inspect the brake system.
- A rapid fluid loss indicates a leak in the brake system which should be inspected by your MARUTI SUZUKI dealer immediately.
- Do not use any fluid other than MARUTI GENUINE BRAKE FLUID. Do not use reclaimed fluid or fluid that has been stored in old or open containers. It is essential that foreign particles and other liquids are kept out of the brake fluid reservoir.

⚠ CAUTION

Brake fluid can harm your eyes and damage painted surfaces. Use caution when refilling the reservoir.

⚠ WARNING

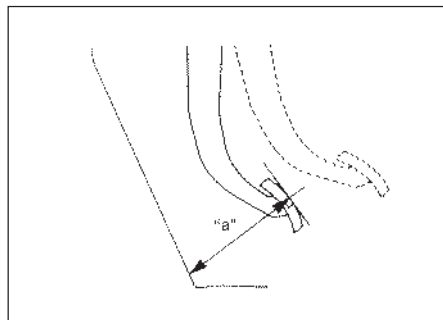
Brake fluid is harmful or fatal if swallowed, and harmful if it comes in contact with skin or eyes. If swallowed, do not induce vomiting. Immediately contact a poison control center or a physician. If brake fluid gets in eyes, flush eyes with water and seek medical attention. Wash thoroughly after handling. Solution can be poisonous to animals. Keep out of the reach of children and animals.

NOTE:

With disc brakes, the fluid level can be expected to gradually fall as the brake pads wear.

Brake Pedal

Check if the brake pedal stops at the regular height without “spongy” feeling when you depress it. If not, have the brake system inspected by your MARUTI SUZUKI dealer. If you doubt the brake pedal for the regular height, check it as follows:



MH0-07-022

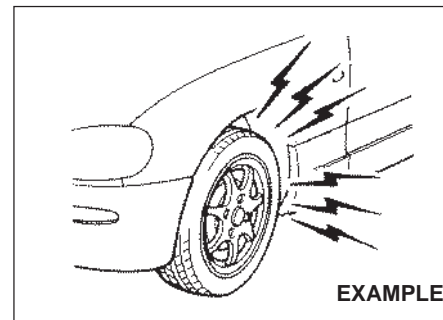
**Pedal to floor carpet minimum distance “a”:
72 mm (2.8 in.)**

With the engine running, measure the distance between the brake pedal and floor carpet when the pedal is depressed with approximately 30 kg (66 lbs) of force. The minimum distance required is as specified. Since your vehicle’s brake system is selfadjusting, there is no need for pedal adjustment.

If the pedal to floor carpet distance as measured above is less than the minimum distance required, have your vehicle inspected by your MARUTI SUZUKI dealer.

NOTE:

When measuring the distance between the brake pedal and floor carpet, be sure not to include the floor mat or rubber on the floor carpet in your measurement.



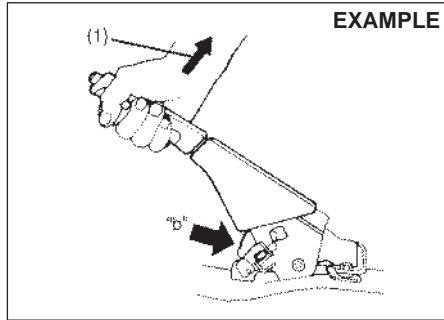
MH0-07-023

⚠ WARNING

If you experience any of the following problems with your vehicle’s brake system, have the vehicle inspected immediately by your MARUTI SUZUKI dealer.

- Poor braking performance
- Uneven braking (brakes not working uniformly on all wheels.)
- Excessive pedal travel
- Brake dragging
- Excessive noise
- Pedal pulsation (pedal pulsates when depressed.)

Parking Brake



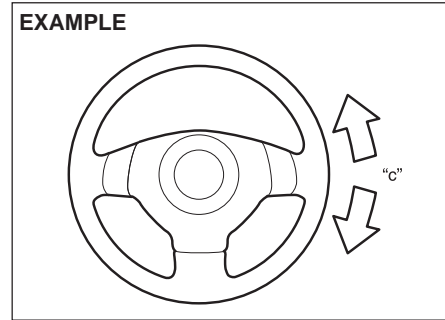
MH0-07-024

Ratchet tooth specification "b":
4th – 9th
Lever pull force (1):
200 N (20 kg, 44 lbs)

Check the parking brake for proper adjustment by counting the number of clicks made by the ratchet teeth as you slowly pull up on the parking brake lever to the point of full engagement. The parking brake lever should stop between the specified ratchet teeth and the rear wheels should be securely locked. If the parking brake is not properly adjusted or the brakes drag after the lever has been fully released, have the parking brake inspected and/or adjusted by your MARUTI SUZUKI dealer.

9-15

Steering



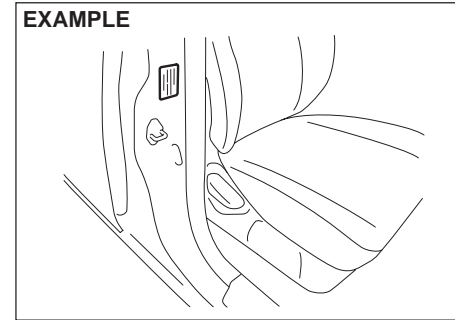
MH0-07-025

Steering wheel play "c":
0 – 30 mm (0.0 – 1.2 in.)

Check the play of the steering wheel by gently turning it from left to right and measuring the distance that it moves before you feel slight resistance. The play should be between the specified values.

Check that the steering wheel turns easily and smoothly without rattling by turning it all the way to the right and to the left while driving very slowly in an open area. If the amount of free play is outside the specification or you find anything else to be wrong, an inspection must be performed by your MARUTI SUZUKI dealer.

Tires



MH0-07-026

The front and rear tire pressure specifications for your vehicle are listed on the Tire Information Label. Both the front and rear tires should have the specified tire pressure.

Note that the value does not apply to the compact spare tire, if equipped.

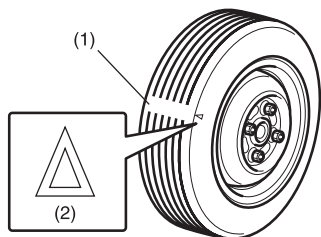
Tire Inspection

Inspect your vehicle's tires at least once a month by performing the following checks:

- 1) Measure the air pressure with a tire gauge. Adjust the pressure if necessary. Remember to check the spare tire, too.

▲ WARNING

- Air pressures should be checked when the tires are cold or you may get inaccurate readings.
- Check the inflation pressure from time to time while inflating the tire gradually, until the specified pressure is obtained.
- Never underinflate or overinflate the tires.
Underinflation can cause unusual handling characteristics or can cause the rim to slip on the tire bead, resulting in an accident or damage to the tire or rim.
Overinflation can cause the tire to burst, resulting in personal injury. Overinflation can also cause unusual handling characteristics which may result in an accident.

EXAMPLE

MH0-07-027

- (1) Tread wear indicator
 - (2) Indicator location mark
- 2) Check that the depth of the tread groove is more than 1.6 mm (0.06 in.). To help you check this, the tires have molded-in tread wear indicators in the grooves. When the indicators appear on the tread surface, the remaining depth of the tread is 1.6 mm (0.06 in.) or less and the tire should be replaced.
 - 3) Check for abnormal wear, cracks and damage. Any tires with cracks or other damage should be replaced. If any tires show abnormal wear, have them inspected by your MARUTI SUZUKI dealer.

▲ CAUTION

Hitting curbs and running over rocks can damage tires and affect wheel alignment. Be sure to have tires and wheel alignment checked periodically by your MARUTI SUZUKI dealer.

- 4) Check for loose wheel nuts.
- 5) Check that there are no nails, stones or other objects sticking into the tires.

▲ WARNING

- Your MARUTI SUZUKI is equipped with tires which are all the same

▲ WARNING

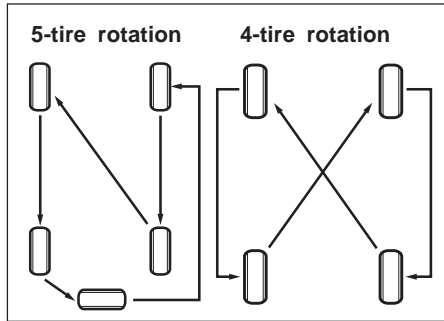
type and size. This is important to ensure proper steering and handling of the vehicle. Never mix tires of different size or type on the four wheels of your vehicle. The size and type of tires used should be only those approved by MARUTI SUZUKI as standard or optional equipment for your vehicle.

- Replacing the wheels and tires equipped on your vehicle with certain combinations of aftermarket wheels and tires can significantly change the steering and handling characteristics of your vehicle.
- Therefore, use only those wheel and tire combinations approved by MARUTI SUZUKI as standard or optional equipment for your vehicle.

NOTICE

Replacing the original tires with tires of a different size may result in false speedometer or odometer readings. Check with your MARUTI SUZUKI dealer before purchasing replacement tires that differ in size from the original tires.

Tire Rotation



MH0-07-028

To avoid uneven wear of your tires and to prolong their life, rotate the tires as illustrated. Tires should be rotated every 10000 km (6000 miles). After rotation, adjust front and rear tire pressures to the specification listed on your vehicle's Tire Information Label.

Wheel Balancing

If the vehicle vibrates abnormally on smooth road, have the wheel balanced at Maruti Suzuki Authorized Workshop.

Wheel Alignment

In case of abnormal tyre wear or pulling towards one side, have the wheel aligned at Maruti Suzuki Authorized Workshop.

Tubeless Tyres (If equipped)

The vehicle is equipped with Tubeless Tyres. In tubeless tyre, a thin layer of butylrubber is used for lining the inside of the tubeless tyre. This layer is to prevent air loss and fulfilling the purpose of tube. The air pressure is maintained by the sealing between tyre bead and wheel rim. Tubeless tyres are having advantage of slow air loss and preventing sudden deflation while driving.

Care and maintenance tips for tubeless tyres

- 1) Always maintain recommended inflation pressure. Driving continuously at low inflation pressure can lead to tyre damage.
- 2) In case any leakage is found, check for any nail penetration/valve core damage or rim bent. Damaged wheel must not be used.
- 3) In case tyre has run at low pressure, it must be inspected for any defect.
- 4) Whenever new tyre is fitted, replace the valve.
- 5) If continuous high speed driving is required, increase tyres pressure by 5 psi over recommended inflation pressure.
- 6) Never run the tyre beyond TWI (Tread wear indicator). The tyre is recommended to be replaced when the remaining tread has worn to this point. The indicators are spaced across the tread around

the tyre marked by a triangular symbol (TWI).

- 7) Always prefer tubeless tyre mounting machine. In case of manual mounting tyre /wheel rim damage may occur.
- 8) In case of any problem, please get in touch with MARUTI SUZUKI Authorized workshop.

Battery

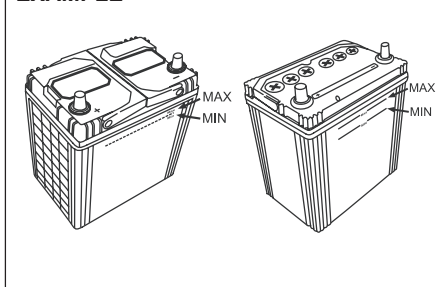
⚠ WARNING

- Batteries produce flammable hydrogen gas. Keep flames and sparks away from the battery or an explosion may occur. Never smoke when working in the vicinity of the battery.
- When checking or servicing the battery, disconnect the negative cable. Be careful not to cause a short circuit by allowing metal objects to contact the battery posts and the vehicle at the same time.
- To avoid harm to yourself or damage to your vehicle or battery, follow the jump starting instructions in the "EMERGENCY SERVICE" section of this manual if it is necessary to jump start your vehicle.
- Diluted sulfuric acid spilled from battery can cause blindness or



⚠ WARNING

severe burns. Use proper eye protection and gloves. Flush eyes or body with ample water and get medical care immediately if suffered. Keep batteries out of the reach of children.

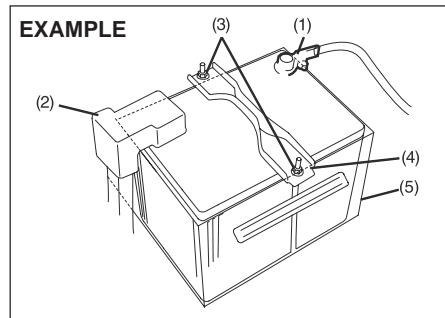
EXAMPLE

MH0-07-029

The level of the battery solution must be kept between the “Max” and the “Min” level lines at all times. If the level is found to be below the “Min” level line, add distilled water to bring level between “Max” and “Min”. You should, however, periodically check the battery, battery terminals and battery holddown bracket for corrosion. Remove corrosion using a stiff brush and ammonia mixed with water, or baking soda mixed with

water. After removing corrosion, rinse with clean water.

If your vehicle is not going to be driven for a month or longer, disconnect the cable from the negative terminal of the battery to help prevent discharge..

Replacement of the battery**EXAMPLE**

MH0-07-029A

To remove the battery:

- 1) Disconnect the negative cable (1).
- 2) Disconnect the positive cable (2).
- 3) Remove the retainer bolts (3) and remove the retainer (4).
- 4) Remove the battery along with cover assembly (5) (if equipped).

NOTICE

- Ensure that battery should not be removed without cover assembly.
- When the battery is reassembled into the vehicle, kindly ensure that battery cover is also installed along with battery.

To install the battery:

- 1) Install the battery in the reverse order of removal.
- 2) Tighten the retainer nuts and battery cables securely.

NOTE:

When the battery is disconnected, some of the vehicle's function will be initialized and/or deactivated. These function are required to reset after the battery is reconnected.

Fuses

Your vehicle has three types of fuses, as described below:

Main fuse

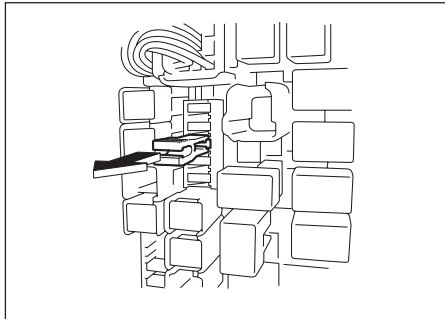
The main fuse takes current directly from the battery.

Primary fuses

These fuses are between the main fuse and individual fuses, and are for electrical load groups.

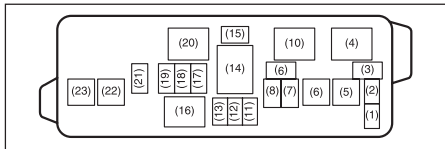
Individual fuses

These fuses are for individual electrical circuits. To remove a fuse, use the fuse puller provided in the fuse box.



MH0-07-030

Fuses in the Engine Compartment



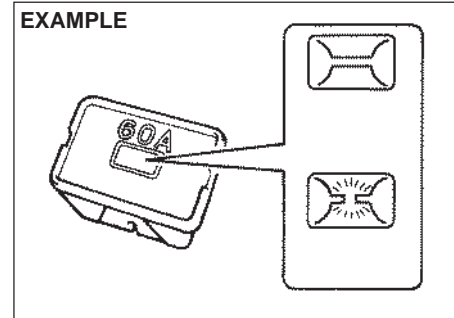
MH0-07-031

MAIN FUSE/PRIMARY FUSE		
(1)	–	Blank
(2)	–	Blank
(3)	–	Blank
(4)	–	Air compressor relay

(5)	50A	Ignition switch fuse
(6)	50A	Light
(7)	15A	Headlight (left) fuse
(8)	15A	Headlight (right) fuse
(9)	–	Blank
(10)	–	Radiator fan relay
(11)	–	Blank
(12)	–	Blank
(13)	–	Blank
(14)	80A	All electric load
(15)	–	Blank
(16)	–	Main relay
(17)	30A	Radiator fan fuse
(18)	15A	Fuel injection fuse
(19)	10A	Air compressor fuse
(20)	–	Fuel pump relay
(21)	–	Blank
(22)	–	Blank
(23)	–	Blank

The main fuse, primary fuses and some of the individual fuses are located in the engine compartment. If the main fuse blows, no electrical component will function. If a primary fuse blows, no electrical component in the corresponding load group will function. When replacing the main fuse, a primary

fuse or an individual fuse, use a genuine SUZUKI replacement. To remove a fuse, use the fuse puller provided in the fuse box. The amperage of each fuse is shown inside the fuse box cover.



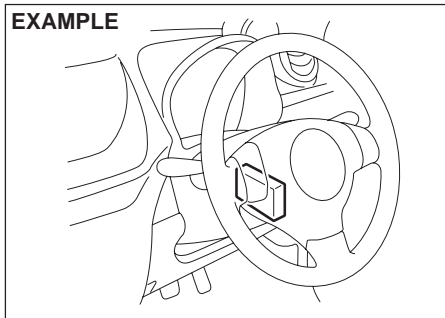
MH0-07-032

⚠ WARNING

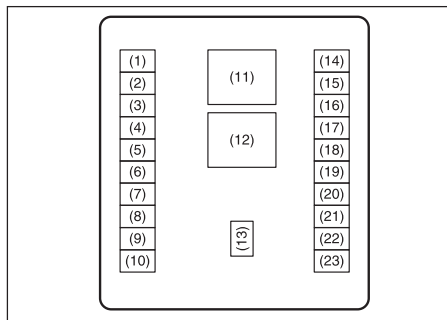
If the main fuse or a primary fuse blows, be sure to have your vehicle inspected by an authorized MARUTI SUZUKI dealer. Always use a Maruti Genuine replacement. Never use a substitute such as a wire even for a temporary repair, or extensive electrical damage and a fire can result.

NOTE:

Make sure that the fuse box always carries spare fuses and fuse puller.

Fuses under the Dash Board**EXAMPLE**

MH0-07-033

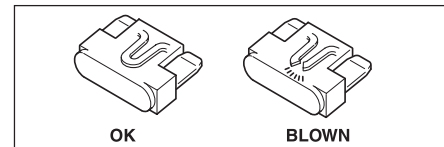


MH0-07-034

MAIN FUSE/PRIMARY FUSE		
(1)	–	Blank
(2)	20A	Door lock
(3)	15A	Audio
(4)	10A	Tail light
(5)	10A	Stop light
(6)	30A	Blower motor
(7)	–	Blank
(8)	–	Blank
(9)	15A	Wiper
(10)	10A	IG2 SIG
(11)	30A	Power window
(12)	–	Blank
(13)	15A	Accessory
(14)	15A	Horn/Hazard
(15)	30A	ST SIG
(16)	30A	Power steering
(17)	–	Blank
(18)	–	Blank
(19)	–	Blank
(20)	7.5A	Air bag
(21)	10A	Meter
(22)	10A	Turn signal light
(23)	15A	Ignition switch

The fuse box is located under the driver's side of the dashboard.

Refer the Fuse box cover in the engine room for details.



MH0-07-035

▲ WARNING

Always be sure to replace a blown fuse with a fuse of the correct amperage. Never use a substitute such as aluminum foil or wire to replace a blown fuse. If you replace a fuse and the new one blows in a short period of time, you may have a major electrical problem. Have your vehicle inspected immediately by your MARUTI SUZUKI dealer.

Bulb Replacement**▲ CAUTION**

- Light bulbs can be hot enough to burn your finger right after being turned off. This is true especially for halogen headlight bulbs. Replace the bulbs after they become cool enough.
- The headlight bulbs are filled with pressurized halogen gas. They can burst and injure you if they are hit



▲ CAUTION

← or dropped. Handle them carefully.

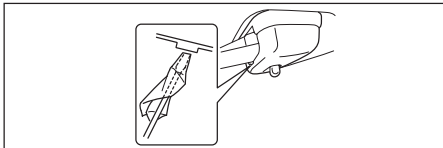
NOTICE

The oils from your skin may cause a halogen bulb to overheat and burst when the lights are on. Grasp a new bulb with a clean cloth.

NOTICE

Frequent replacement of a bulb indicates the need for an inspection of the electrical system. This should be carried out by your MARUTI SUZUKI dealer.

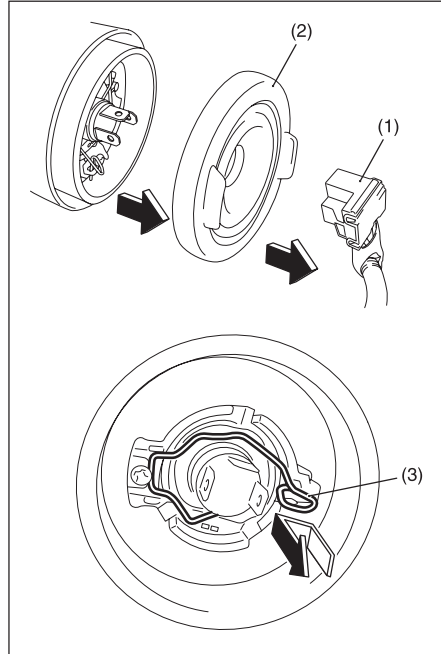
Interior Light



MH0-07-036

Pull down the lens by using a flat blade screwdriver covered with a soft cloth as shown. To install it, simply push it back in. The bulb can be removed by simply pulling it out. When replacing the bulb, make sure that the contact springs are holding the bulb securely.

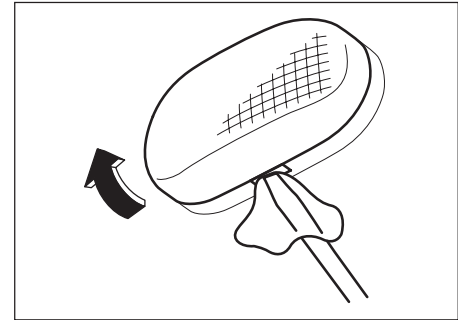
Headlight



MH0-07-037

Disconnect the coupler (1). Remove the sealing rubber (2). Push the retaining spring (3) forward and unhook it. Then remove the bulb. Install a new bulb in the reverse order.

Side Turn Signal Light

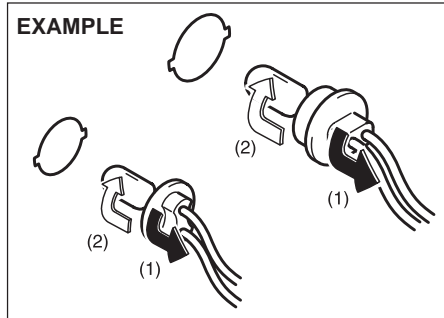


MH0-07-038

Pull down the lens by using a flat blade screwdriver covered with a soft cloth as shown. The bulb can be removed by simply pulling it out. Then remove the bulb. Install a new bulb in the reverse order.

Other General Lights

Bulb holder



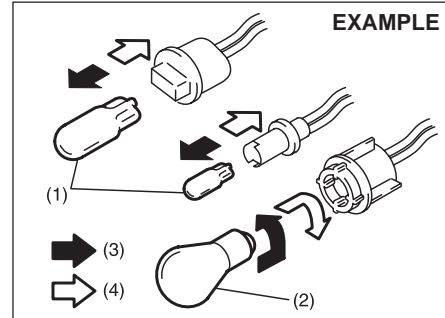
MH0-07-039

(1) Removal

(2) Installation

To remove a bulb holder from a light housing, turn the holder counterclockwise and pull it out. To install the holder, push the holder in and turn it clockwise.

Bulb



MH0-07-040

(3) Removal

(4) Installation

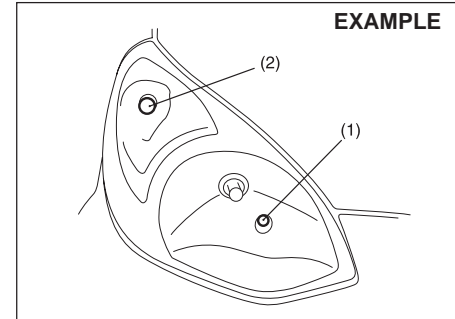
There are two types of bulb, "Full glass type" (1) and "Glass/metal type" (2).

To remove and install a full glass type bulb (1), simply pull out or push in the bulb.

To remove a glass metal type bulb (2) from a bulb holder, push in the bulb and turn it counterclockwise. To install a new bulb, push it in and turn it clockwise.

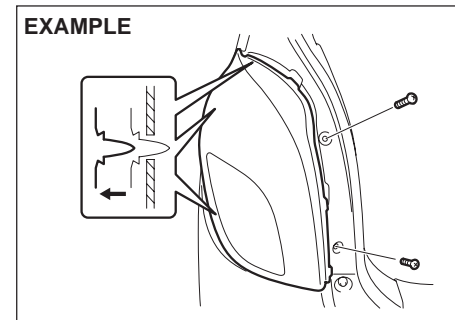
You can access the individual bulb or bulb holders as follows.

Front position light (1) Front turn signal light (2)



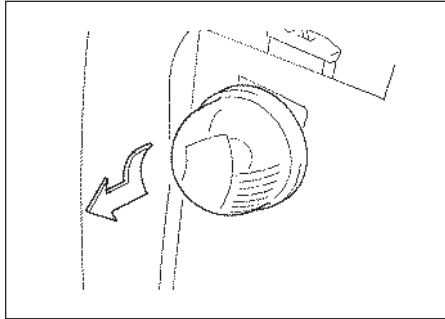
MH0-07-041

Rear combination light



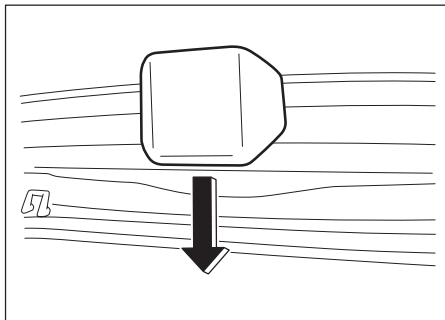
MH0-07-042

License plate light



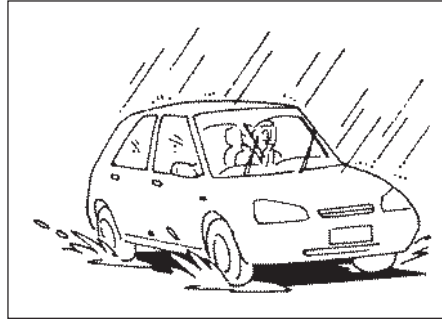
MH0-07-043

High-mount stop light



MH0-07-044

Wiper Blades



MH0-07-045

If the wiper blades become brittle or damaged, or make streaks when wiping, replace the wiper blades.

To install new wiper blades, follow the procedures below.

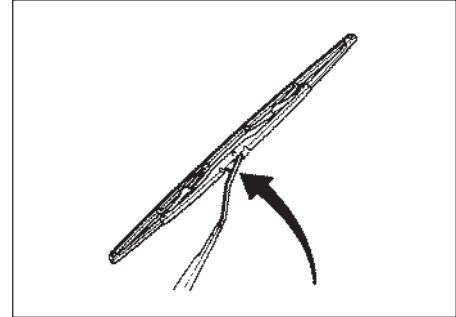
NOTICE

To avoid scratching or breaking the window, do not let the wiper arm strike the window while replacing the wiper blade.

NOTE:

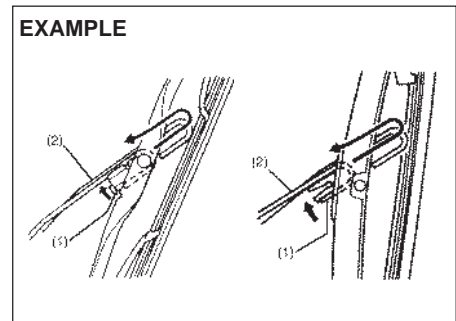
Some wiper blades may be different from the ones described here depending on vehicle specifications. If so, consult your MARUTI SUZUKI dealer for proper replacement method.

For windshield wipers:



MH0-07-046

- 1) Hold the wiper arm away from the window.

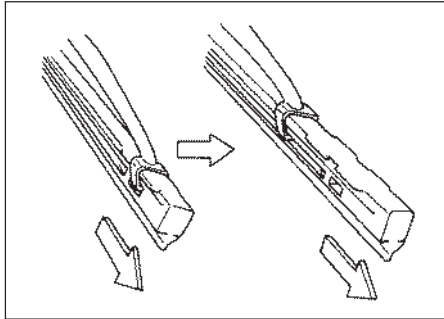


MH0-07-047

- 2) Squeeze lock (1) towards wiper arm (2) and remove the wiper frame from the arm as shown.
- 3) Unlock the lock end of the wiper blade

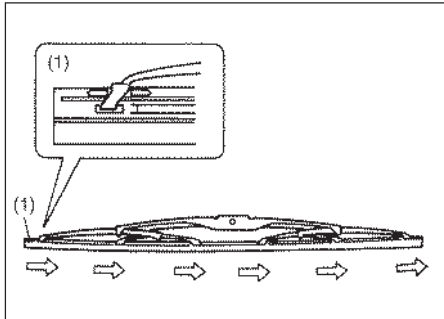
and slide the blade out as shown.

Removal



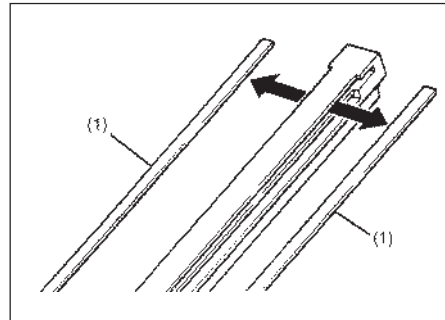
MH0-07-048

Installation



MH0-07-049

(1) Locked end



MH0-07-050

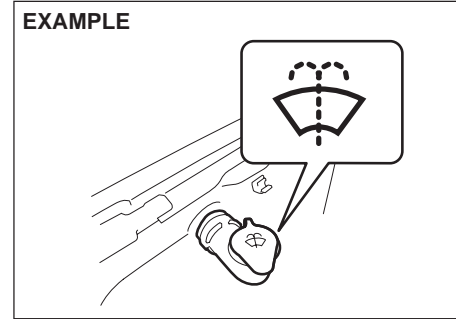
(1) Retainer

- 4) If the new blade is provided without the two metal retainers, move them from the old blade to the new one.
- 5) Install the new blade in the reverse order of removal, with the locked end positioned toward the wiper arm. Make sure the blade is properly retained by all the hooks. Lock the blade end into place.
- 6) Reinstall wiper frame to arm, making sure that the lock lever is snapped securely into the arm.

Windshield Washer Fluid

Front

EXAMPLE



MH0-07-051

Check that there is washer fluid in the tank. Refill it if necessary. Use a good quality windshield washer fluid, diluted with water as necessary.

▲ WARNING

Do not use "antifreeze" solution in the windshield washer reservoir. This can severely impair visibility when sprayed on the windshield, and can also damage your vehicle's paint.

NOTICE

Damage may result if the washer motor is operated with no fluid in the washer tank.

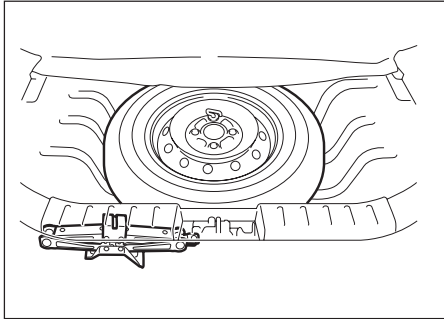
Air Conditioning System

If you do not use the air conditioner for a long period, such as during winter, it may not give the best performance when you start using it again. To help maintain optimum performance and durability of your air conditioner, it needs to be run periodically. Operate the air conditioner at least once a month for one minute with the engine idling. This circulates the refrigerant and oil and helps protect the internal components.

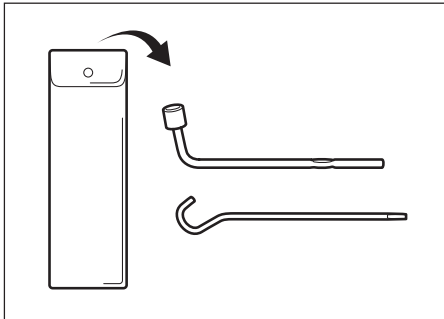
EMERGENCY SERVICE

Tire Changing Tool	10-1
Jacking Instructions	10-1
Changing Wheels	10-3
Jump Starting Instructions	10-4
Towing	10-5
If the Starter Does Not Operate	10-6
If the Engine is Flooded	10-6
If the Engine Overheats	10-6
Warning Triangle	10-7

Tire Changing Tool



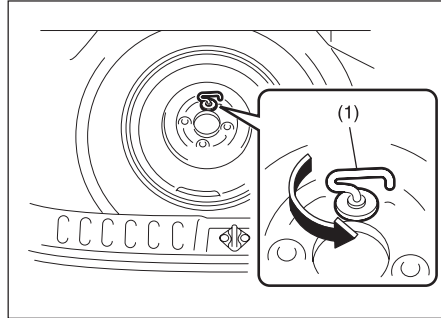
MH0-08-001



MH0-08-002

The jack is stowed in the luggage compartment.

The jack handle and wheel brace are stowed in the storage bag.



MH0-08-003

To remove the spare tire, turn its bolt (1) counterclockwise and remove it.

To remove the jack, turn its shaft counterclockwise and pull the jack out of the storage bracket. To stow the jack, place it in the storage bracket and turn the shaft clockwise until the jack is securely held in place.

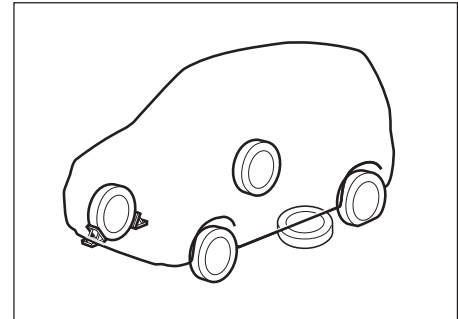
⚠ WARNING

After using the tire changing tools, be sure to stow them securely or they can cause injury if an accident occurs.

⚠ CAUTION

The jack should be used only to change wheels. It is important to read the jacking instructions in this section before attempting to use the jack.

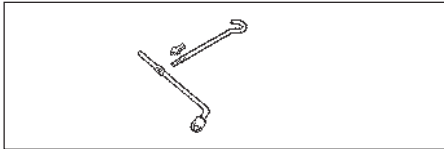
Jacking Instructions



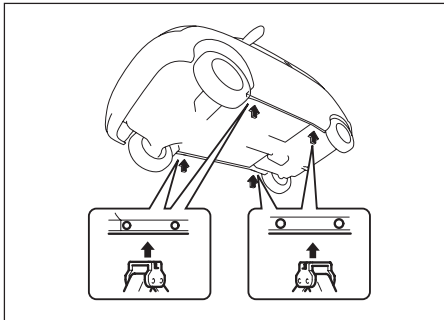
MH0-08-004

- 1) Place the vehicle on level, hard ground.
- 2) Set the parking brake firmly and shift into "R" (Reverse) if your vehicle has a manual transaxle.
- 3) Turn on the hazard warning flasher if your vehicle is near traffic.
- 4) Block the front and rear of the wheel diagonally opposite of the wheel being lifted.

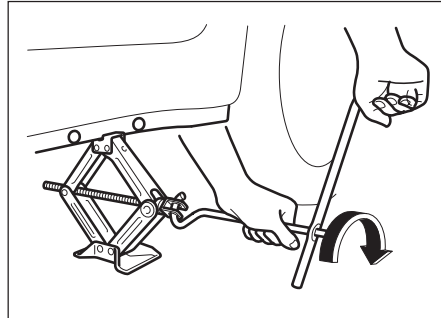
- 5) Place the spare wheel near the wheel being lifted as shown in the illustration in case that the jack slips.



MH0-08-005



MH0-08-006



MH0-08-007

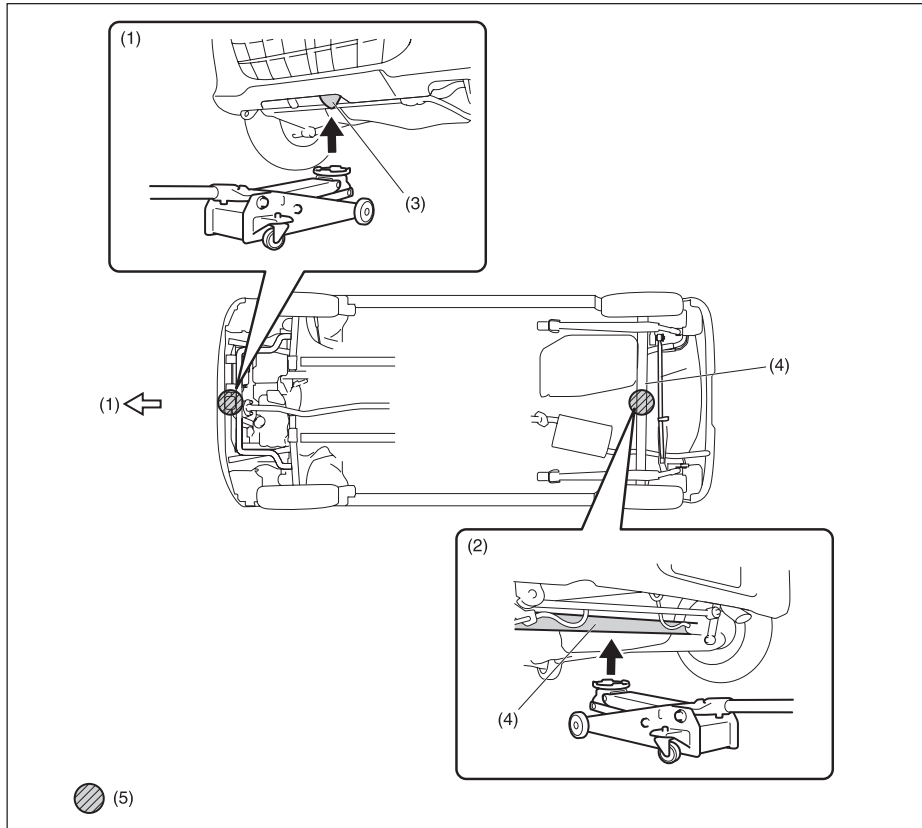
- 6) Position the jack vertically and raise the jack by turning the jack handle clockwise until the jack head groove fits around the jacking bar beneath the vehicle body. See illustrations.
- 7) Continue to raise the jack slowly and smoothly until the tire clears the ground. Do not raise the vehicle more than necessary.

⚠ WARNING

- Use the jack only to change wheels on level, hard ground.
- Never jack up the vehicle on an inclined surface.
- Never raise the vehicle with the jack in a location other than the specified jacking point (shown in the illustration) near the wheel to be changed.
- Make sure that the jack is raised at least 51 mm (2 inches) before it contacts the suspension arm boss. Use of the jack when it is within 51 mm (2 inches) of being fully collapsed may result in failure of the jack.
- Never get under the vehicle when it is supported by the jack.
- Never run the engine when the vehicle is supported by the jack and never allow passengers to remain in the vehicle.

To Raise the Vehicle with a Garage Jack

- Apply the garage jack to one of the points indicated below.



- (1) Front
- (2) Rear
- (3) Jack bracket
- (4) Rear axle
- (5) Jacking point for garage jack

NOTICE

Never apply a garage jack to the exhaust pipe or engine undercover and rear torsion beam.

NOTE:

For more details, please contact an authorized MARUTI SUZUKI dealer.

Changing Wheels

To change a wheel, use the following procedure:

- 1) Clear all passengers and luggage from the vehicle.

NOTE:

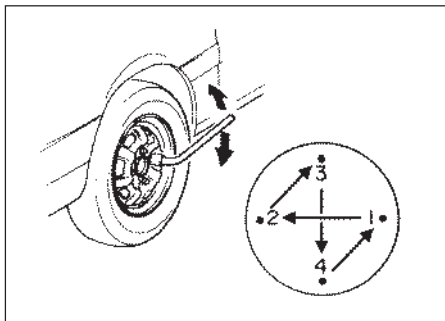
The jack is located in the side of luggage compartment, and the tools are located in back of the luggage board.

- 2) Remove the jack, tools and spare wheel from the vehicle.
- 3) Loosen, but do not remove the wheel nuts.
- 4) Jack up the vehicle.
- 5) Remove the wheel nuts and wheel.
- 6) Before installing the new wheel, clean

MH0-08-008

any mud or dirt off from the surface of the wheel and hub with a clean cloth. Clean the hub carefully; it may be hot from driving.

- 7) Install the new wheel and replace the wheel nuts with their cone shaped end facing the wheel. Tighten each nut snugly by hand until the wheel is securely seated on the hub.



MH0-08-009

Tightening torque for wheel nut
85 Nm (8.5 kg-m, 61.5 lb-ft)

- 8) Lower the jack and fully tighten the nuts in a crisscross fashion with a wrench as shown in the illustration.

▲ WARNING

Use genuine wheel nuts and tighten them to the specified torque as soon



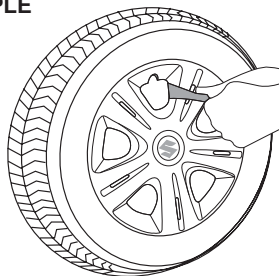
▲ WARNING



as possible after changing wheels. Incorrect wheel nuts or improperly tightened wheel nuts may come loose or fall off, which can result in an accident. If you do not have a torque wrench, have the wheel nut torque checked by an authorized MARUTI SUZUKI dealer.

Full Wheel Cover (if equipped)

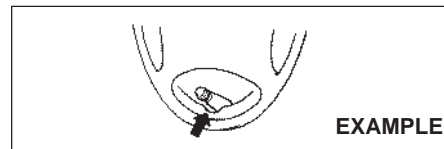
EXAMPLE



MH0-08-010

Insert a piece of cloth between the spokes of the wheel cover and try to pull the cover outward (as shown in figure). Take out the detached wheel cover from the wheel rim. For installation first match the slot at the wheel cover with the air filling nozzle of the wheel. Apply equal pressure at the circum-

ference of the wheel cover to fix it in the wheel rim.



MH0-08-011

When installing the cover, make sure that it is positioned so that it does not cover or foul the air valve.

Jump Starting Instructions

▲ WARNING

- Never attempt to jump start your vehicle if the battery appears to be frozen. Batteries in this condition may explode or rupture if jump starting is attempted.
- When making jump lead connections, be certain that your hands and the jump leads remain clear from pulleys, belts, or fans.
- Batteries produce flammable hydrogen gas. Keep flames and sparks away from the battery or an explosion may occur. Never smoke when working in the vicinity of the battery.
- If the booster battery you use for



⚠ WARNING

jump starting is installed in another vehicle, make sure the two vehicles are not touching each other.

- If your battery discharges repeatedly, for no apparent reason, have your vehicle inspected by an authorized MARUTI SUZUKI dealer.
- To avoid harm to yourself or damage to your vehicle or battery, follow the jump starting instructions below precisely and in order. If you are in doubt, call for qualified road service.

NOTICE

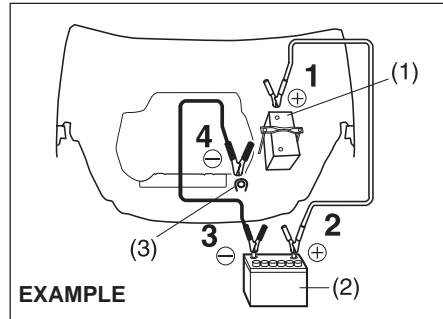
Your vehicle should not be started by pushing or towing. This starting method could result in permanent damage to the catalytic converter. Use jump leads to start a vehicle with a weak or flat battery.

When Jump Starting Your Vehicle, Use the Following Procedure:

- 1) Use only a 12-volt battery to jump start your vehicle. Position the good 12-volt battery close to your vehicle so that the jump leads will reach both batteries. When using a battery installed on another vehicle, DO NOT LET THE

VEHICLES TOUCH. Set the parking brakes fully on both vehicles.

- 2) Turn off all vehicle accessories, except those necessary for safety reasons (for example, headlights or hazard lights).



MH0-08-012

- 3) Make jump lead connections as follows:
 1. Connect one end of the first jump lead to the positive (+) terminal of the flat battery (1).
 2. Connect the other end to the positive (+) terminal of the booster battery (2).
 3. Connect one end of the second jump lead to the negative (-) terminal of the booster battery (2).
 4. Make the final connection to an unpainted, heavy metal part (i.e. engine hook (3)) of the engine of the vehicle with the flat battery (1).

⚠ WARNING

Never connect the jump lead directly to the negative (-) terminal of the discharged battery, or an explosion may occur.

- 4) If the booster battery you are using is fitted to another vehicle, start the engine of the vehicle with the booster battery. Run the engine at moderate speed.
- 5) Start the engine of the vehicle with the flat battery.
- 6) Remove the jump leads in the exact reverse order in which you connected them.

Towing

If you need to have your vehicle towed, contact a professional service. Your dealer can provide you with detailed towing instructions.

NOTICE

To help avoid damage to your vehicle during towing, proper equipment and towing procedures must be used.

2-Wheel Drive (2WD) Manual Transaxle

Manual transaxle vehicles may be towed using either of the following methods.

- 1) From the front, with the front wheels lifted and the rear wheels on the ground. Before towing, make sure that the parking brake is released.
- 2) From the rear, with the rear wheels lifted and the front wheels on the ground, provided the steering and drivetrain are in operational condition. Before towing, make sure that transaxle is in neutral, the steering wheel is unlocked (the ignition key should be in the "ACC" position), and the steering wheel is secured with a clamping device designed for towing service.

NOTICE

The steering column is not strong enough to withstand shocks transmitted from the front wheels during towing. Always unlock the steering wheel before towing.

If the Starter Does Not Operate

- 1) Try turning the ignition switch to the "START" position with the headlights turned on to determine the battery condition. If the headlights go excessively dim or go off, it usually means that either the battery is flat or the battery terminal contact is poor. Recharge the battery or

correct battery terminal contact as necessary.

- 2) If the headlights remain bright, check the fuses. If the reason for failure of the starter is not obvious, there may be a major electrical problem. Have the vehicle inspected by your authorized MARUTI SUZUKI dealer.

If the Engine is Flooded

If the engine is flooded with gasoline, it may be hard to start. If this happens, press the accelerator pedal all the way to the floor and hold it there while cranking the engine. (Do not operate the starter motor for more than 15 seconds).

If the Engine Overheats

The engine could overheat temporarily under severe driving conditions. If the high engine coolant temperature warning light comes on as overheating during driving:

- 1) Turn off the air conditioner, if equipped.
- 2) Take the vehicle to a safe place and park.
- 3) Let the engine run at the normal idle speed for a few minutes until the high engine coolant temperature warning light goes off.

▲ WARNING

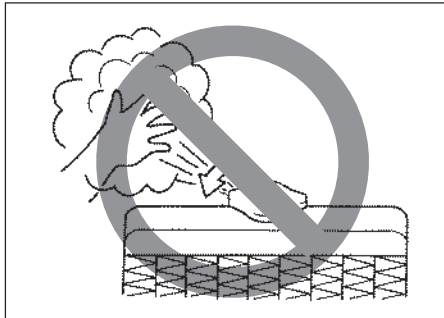
If you see or hear escaping steam, stop the vehicle in a safe place and immediately turn off the engine to let it cool. Do not open the hood when steam is present. When the steam can no longer be seen or heard, open the hood to see if the coolant is still boiling. If it is, you must wait until it stops boiling before you proceed.

If the high engine coolant temperature warning light does not go off:

- 1) Turn off the engine and check that the water pump belt and pulleys are not damaged or slipping. If any abnormality is found, correct it.
- 2) Check the coolant level in the reservoir. If it is found to be lower than the "LOW" line, look for leaks at the radiator, water pump, and radiator and heater hoses. If you locate any leaks that may have caused the overheating, do not run the engine until these problems have been corrected.
- 3) If you do not find a leak, carefully add coolant to the reservoir and then the radiator, if necessary. (Refer to "Engine Coolant" in the "INSPECTION AND MAINTENANCE" section.)

NOTE:

If your engine overheats and you are unsure what to do, contact your MARUTI SUZUKI dealer.

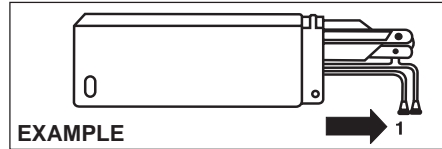


MH0-08-013

▲ WARNING

- It is hazardous to remove the radiator cap (or degassing tank cap for a diesel engine) when the water temperature is high, because scalding fluid and steam may be blown out under pressure. The cap should only be taken off when the coolant temperature has lowered.
- To help prevent personal injury, keep hands, tools and clothing away from the engine cooling fan and air-conditioner fan (if equipped). These electric fans can automatically turn on without warning.

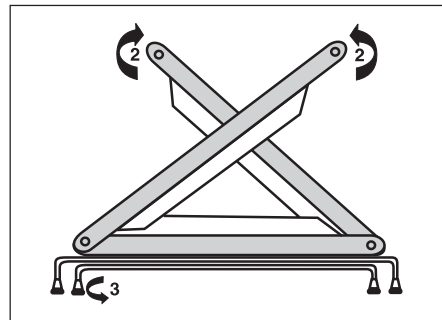
Warning Triangle



EXAMPLE

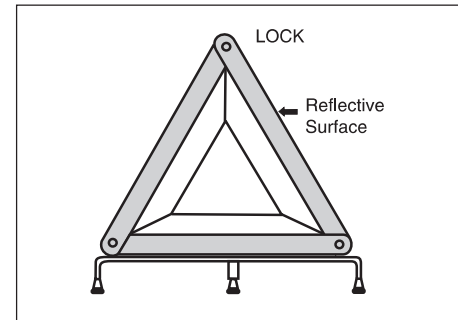
MH0-08-014

In case of vehicle break-down or during emergency stopping, where, your vehicle could become a potential traffic hazard, keep the warning triangle, provided with your vehicle, on the road free from any obstacles behind your vehicle so as to warn the approaching traffic, at an approximate distance of 50-100 m. The reflecting side of the triangle should face the on coming traffic. Please activate the hazard warning lamps before alighting the vehicle to keep the warning triangle.



MH0-08-015

- Remove the warning triangle carefully from the cover as shown by arrow 1.
- Open both the reflector arms as shown by arrow and lock the arms with each other with the clip provided in the right arm. Open the bottom stand in counter clock-wise direction as shown by arrow 3. Position the warning triangle behind the vehicle on a plain surface.
- Reverse the removal procedure for keeping inside the cover.



MH0-08-016

APPEARANCE CARE

Corrosion Prevention	11-1
Vehicle Cleaning	11-2

Corrosion Prevention

It is important to take good care of your vehicle to protect it from corrosion. Listed below are instructions for how to maintain your vehicle to prevent corrosion. Please read and follow these instructions carefully.

Important Information About Corrosion

Common causes of corrosion

- 1) Accumulation of road salt, dirt, moisture, or chemicals in hard-to-reach areas of the vehicle underbody or frame.
- 2) Chipping, scratches and any damage to treated or painted metal surfaces resulting from minor accidents or abrasion by stones and gravel.

Environmental conditions which accelerate corrosion

- 1) Road salt, dust control chemicals, sea air or industrial pollution will all accelerate the corrosion of metal.
- 2) High humidity will increase the rate of corrosion particularly when the temperature range is just above the freezing point.
- 3) Moisture in certain areas of a vehicle for an extended period of time may promote corrosion even though other body sections may be completely dry.
- 4) High temperatures will cause an accelerated rate of corrosion to parts of the

vehicle which are not well ventilated to permit quick drying.

This information illustrates the necessity of keeping your vehicle (particularly the underbody) as clean and dry as possible. It is equally important to repair any damage to the paint or protective coatings as soon as possible.

How to Help Prevent Corrosion

Wash your vehicle frequently

The best way to preserve the finish on your vehicle and to help avoid corrosion is to keep it clean with frequent washing.

Wash your vehicle at least once during the winter and once immediately after the winter. Keep your vehicle, particularly the underside, as clean and dry as possible.

If you frequently drive on salted roads, your vehicle should be washed at least once a month during the winter. If you live near the ocean, your vehicle should be washed at least once a month throughout the year.

For washing instructions, refer to the "Vehicle Cleaning" section.

Remove foreign material deposits

Foreign material such as salts, chemicals, road oil or tar, tree sap, bird droppings and industrial fall-out may damage the finish of your vehicle if it is left on painted surfaces. Remove these types of deposits as quickly

as possible. If these deposits are difficult to wash off, an additional cleaner may be required. Be sure that any cleaner you use is not harmful to painted surfaces and is specifically intended for your purposes. Follow the manufacturer's directions when using these special cleaners.

Repair finish damage

Carefully examine your vehicle for damage to the painted surfaces. Should you find any chips or scratches in the paint, touch them up immediately to prevent corrosion from starting. If the chips or scratches have gone through to the bare metal, have a qualified body shop make the repair.

Keep passenger and luggage compartments clean

Moisture, dirt or mud can accumulate under the floor mats and may cause corrosion. Occasionally, check under these mats to ensure that this area is clean and dry. More frequent checks are necessary if the vehicle is used off road or in wet weather.

Certain cargos such as chemicals, fertilizers, cleaners, salts, etc. are extremely corrosive by nature. These products should be transported in sealed containers. If a spill or leak does occur, clean and dry the area immediately.

Store your vehicle in a dry, well-ventilated area

Do not park your vehicle in a damp, poorly ventilated area. If you often wash your vehicle in the garage or if you frequently drive it in when wet, your garage may be damp. The high humidity in the garage may cause or accelerate corrosion. A wet vehicle may corrode even in a heated garage if the ventilation is poor.

▲ WARNING

Do not apply additional undercoating or rust preventive coating on or around exhaust system components such as the catalytic converter, exhaust pipes, etc. A fire could be started if the undercoating substance becomes overheated.

Vehicle Cleaning



MH0-09-001

▲ WARNING

When cleaning the interior or exterior of the vehicle, NEVER USE flammable solvents such as lacquer thinners, gasoline, benzene or cleaning materials such as bleaches or strong household detergents. The materials could cause personal injury or damage to the vehicle.

Cleaning the Interior

Vinyl upholstery

Prepare a solution of soap or mild detergent mixed with warm water. Apply the solution to the vinyl with a sponge or soft cloth and let it soak for a few minutes to loosen dirt. Rub the surface with a clean, damp cloth to remove dirt and the soap solution. If some dirt still remains on the surface, repeat this procedure.

Fabric upholstery

Remove loose dirt with a vacuum cleaner. Using a mild soap solution, rub stained areas with a clean damp cloth. To remove soap, rub the areas again with a cloth dampened with water. Repeat this until the stain is removed, or use a commercial fabric cleaner for tougher stains. If you use a fabric cleaner, carefully follow the manufacturer's instructions and precautions.

Seat belts

Clean seat belts with a mild soap and water. Do not use bleach or dye on the belts. They may weaken the fabric in the belts.

Vinyl floor mats

Ordinary dirt can be removed from vinyl with water or mild soap. Use a brush to help loosen dirt. After the dirt is loosened, rinse the mat thoroughly with water and dry it in the shade.

Carpets

Remove dirt and soil as much as possible with a vacuum cleaner. Using a mild soap solution, rub stained areas with a clean damp cloth. To remove soap, rub the areas again with a cloth dampened with water. Repeat this until the stain is removed, or use a commercial carpet cleaner for tougher stains. If you use a carpet cleaner, carefully follow the manufacturer's instructions and precautions.

Cleaning the Exterior

NOTICE

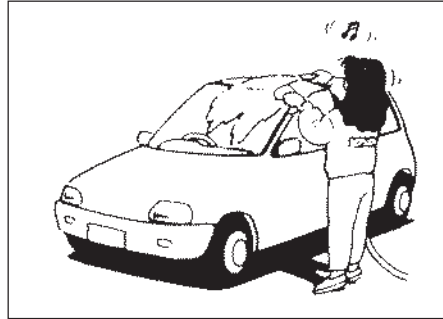
It is important that your vehicle be kept clean and free from dirt. Failure to keep your vehicle clean may result in fading of the paint or corrosion to various parts of the vehicle body.

Caring for Aluminum Wheels

NOTE:

- Do not use an acidic or alkaline detergent to wash aluminum wheels. These types of detergent will cause permanent spots, discoloration and cracks on finished surfaces.
- Do not use a bristle brush and soap containing an abrasive material. These will damage finished surfaces.

Washing



MH0-09-002

▲ WARNING

- Never attempt to wash and wax your vehicle with the engine running.
- When cleaning the underside of the body and fender, where there may be sharp-edged parts, you should wear gloves and a long-sleeved shirt to protect your hands and arms from being cut.
- After washing your vehicle, carefully test the brakes before driving to make sure they have maintained their normal effectiveness.

When washing the vehicle, park it where direct sunlight does not fall on it and follow the instructions below:

- 1) Flush the underside of body and wheel housings with pressurized water to remove mud and debris. Use plenty of water.

NOTICE

When washing the vehicle:

- Avoid directing steam or hot water of more than 80°C (176°F) on plastic parts.
- To avoid damaging engine components, do not use pressurized water in the engine compartment.

- 2) Rinse the body to loosen the dirt. Remove dirt and mud from the body exterior with running water. You may use a soft sponge or brush. Do not use hard materials which can scratch the paint or plastic. Remember that the headlight covers or lenses are made of plastic in many cases.

NOTICE

To avoid damage to the paint or plastic surface, do not wipe the dirt off without ample water. Be sure to follow above procedure.

- 3) Wash the entire exterior with a mild detergent or car wash soap using a sponge or soft cloth. The sponge or cloth should be frequently soaked in the soap solution.

NOTICE

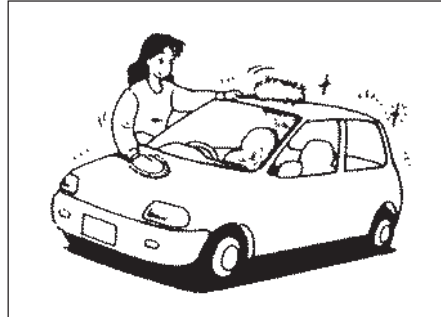
When using a commercial car wash product, observe the cautions specified by the manufacturer. Never use strong household detergents or soaps.

- 4) Once the dirt has been completely removed, rinse off the detergent with running water.
- 5) After rinsing, wipe off the vehicle body with a wet chamois or cloth and allow it to dry in the shade.
- 6) Check carefully for damage to painted surfaces. If there is any damage, "touch-up" the damage following the procedure below:
1. Clean all damaged spots and allow them to dry.
 2. Stir the paint and "touch-up" the damaged spots lightly using a small brush.
 3. Allow the paint to dry completely.

NOTICE

If you use an automatic car wash, make sure that your vehicle's body parts, such as spoilers, cannot be damaged. If you are in doubt, consult the car wash operator for advice.

Waxing



MH0-09-003

After washing the vehicle, waxing and polishing are recommended to further protect and beautify the paint.

- Only use waxes and polishes of good quality.
- When using waxes and polishes, observe the precautions specified by the manufacturers.

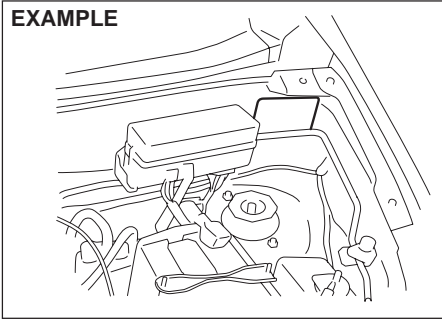
GENERAL INFORMATION

Vehicle Identification..... 12-1

Vehicle Identification

Chassis Serial Number

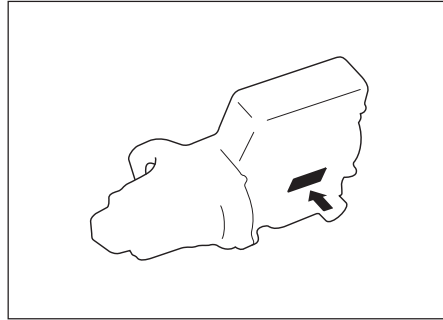
EXAMPLE



MH0-10-001

The chassis and/or engine serial numbers are used to register the vehicle. They are also used to assist your dealer when ordering or referring to special service information. Whenever you have occasion to consult your MARUTI SUZUKI dealer, remember to identify your vehicle with this number. Should you find the number difficult to read, you will also find it on the identification plate.

Engine Serial Number



MH0-10-002

The engine serial number is stamped on the cylinder block as shown in the illustration.

SPECIFICATIONS

NOTE:

Specifications are subject to change without notice.

ITEM: Dimensions		UNIT: mm
Overall length		3395
Overall width		1490
Overall height		1475
Wheelbase		2360
Track	Front	1295
	Rear	1290
Ground clearance		160

ITEM: Mass (weight)		UNIT: kg
Curb mass (weight)		695-725
Gross vehicle mass (weight) rating		1185
Gross axle mass (weight) rating	Front	630
	Rear	630

SPECIFICATIONS

MH0-74E

ITEM: Engine	
Type	F8D
Number of cylinders	3
Bore	68.5 mm (2.70 in.)
Stroke	72.0 mm (2.83 in.)
Piston displacement	796 cm ³ (796 cc, 48.6 cu.in)
Compression ratio	10.3 ± 0.4 : 1

ITEM: Electrical		
Standard spark plug	Nickel plug	BOSCH YR7DC, NGK DCPR7E
Battery		12V 34B20L
Fuses		See "INSPECTION AND MAINTENANCE" section.

ITEM: Lights		WATTAGE	BULB No.
Headlight		12V 60/55W	H4
Turn signal light	Front	12V 21W	PY21W
	Rear	12V 21W	PY21W
Side turn signal light		12V 5W	W5W
Position light		12V 5W	W5W
Brake/tail light		12V 21/5W	P21/5W
License plate light		12V 5W	W5W
Reversing light		12V 21W	P21W
Interior light		12V 8W	—
High mount stop light		12V 5W	W16W

ITEM: Wheel and Suspension	
Tire size, front and rear	145/80R12 74S
Rim size	145 tire: 12 × 3 50B
Tire pressures	For the specified tire pressure, see the Tire Information Label located on the driver's door lock pillar.

ITEM: Capacities (approx.)	
Coolant (including reservoir tank)	3.5 L
Fuel tank	35 L
Engine oil	2.7 L (replacement with oil filter)
Transaxle oil	1.9 L

Tire Pressure	kg/cm², Psi
Front	2.1 / 30
Rear	

