



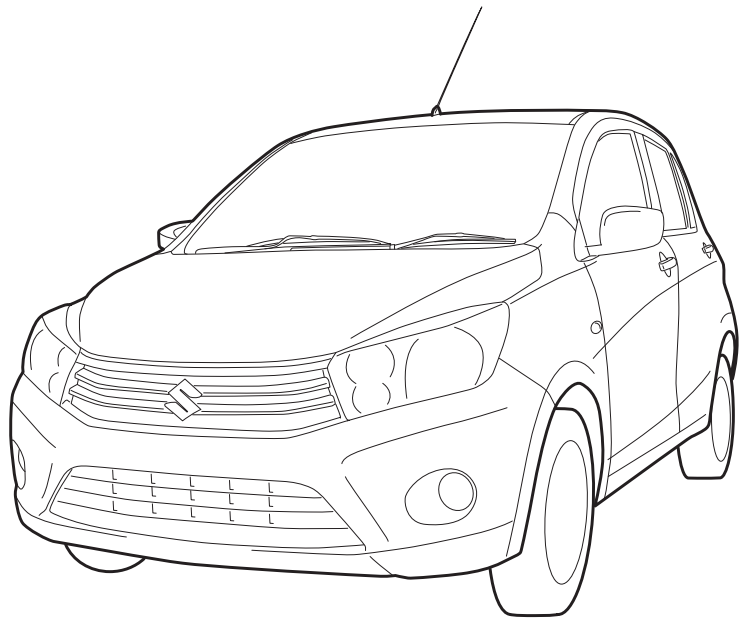
CELERIO

OWNER'S MANUAL & SERVICE BOOKLET

Keep With Vehicle At All Times.
Contains Important Information
On Safety, Operation & Maintenance.



This Owner's manual & service booklet applies to CELERIO models produced by MARUTI SUZUKI INDIA LIMITED.



Note : The illustrated model is one of the CELERIO series
Accessories shown in the picture are not part of standard equipment

© COPYRIGHT MARUTI SUZUKI INDIA LIMITED 2014

Pankaj Narula

Executive Officer (Service)



Dear Sir/ Madam,

Thank you for your patronage of Maruti Vehicle. I am sure that our dealer must have taken good care while delivering the vehicle to you.

We are happy to inform you that your vehicle is equipped with the state of the art Multi Point Fuel Injection (MPFI) technology. For getting the best and trouble free performance from your vehicle, we request you to get your vehicle serviced periodically as per the maintenance schedule in the owner's manual, at the Maruti Suzuki Authorised workshops only.

We would request you to contact any of our Authorised Dealers for guidance and assistance for fitment of accessories, as per your requirement. It may be kindly appreciated that tampering of wiring harness for fitment of accessories may cause malfunctioning of MPFI system.

Thank you once again for having patronized our product and wishing you years of happy driving.

Yours sincerely

A handwritten signature in black ink, appearing to read 'Pankaj Narula', written in a cursive style.

(Pankaj Narula)

MARUTI SUZUKI INDIA LIMITED

Palam Gurgaon Road,

Gurgaon-122015

www.marutisuzuki.com

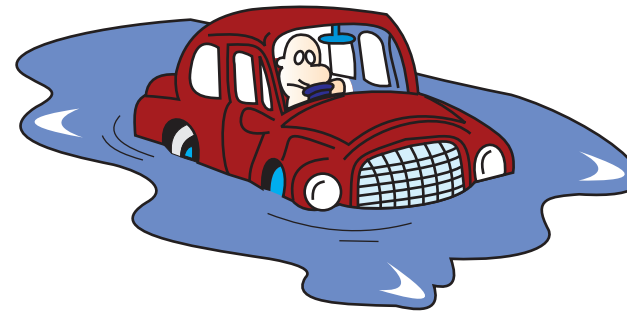
“WARNING”



Vehicle may **break-down**, meet with an **accident** or **catch fire** due to

1. Installation of
 - High wattage bulbs
 - Non genuine lamps / horns
 - Modified suspension / wheels
 - Non genuine parts / accessories etc.
2. Retrofitment of LPG / CNG fuel systems/kits.
3. Usage of domestic LPG.
4. Short circuiting due to tampering of wiring harness.

CAUTION: DO NOT STORE OR CARRY INFLAMMABLE MATERIALS IN THE VEHICLE.



Avoid driving into or starting the vehicle in a heavily water logged area. Vehicle may break-down or engine may fail due to

1. Water entry into the engine.
2. Short circuiting of the electrical systems.

If the vehicle is stuck in deep water, do not start / crank the vehicle until the level of water drops below the level of exhaust pipe.

NOTE:

IF THE VEHICLE IS SUBMERGED IN WATER, REPORT TO THE NEAREST AUTHORIZED WORKSHOP.

“CAUTION”

1. Retro-fitment of LPG / CNG kit may deteriorate vehicle performance, reduce engine & engine related component's life and also warranty will be null and void for such vehicles.
2. Do not use domestic LPG/LPG cylinder for your factory fitted LPG vehicles.
3. Usage of domestic LPG for running vehicles is prohibited as per law.
4. Do not remove company fitted LPG/CNG kit to install some other kit. It may affect vehicle performance and may cause fire.
5. Drive slowly on wet roads. Tires may slip while braking at higher speeds due to aquaplaning. (reduced contact area between tire and road due to presence of water)
6. Do not leave engine running in garages or confined areas, with passengers inside. This may result in accumulation of carbon-monoxide in cabin and may lead to suffocation or breathing problems.
7. Do not park vehicle on dry leaves or grass. This may lead to fire due to hot catalytic converter, igniting the dry leaves/grass.
8. If the vehicle is equipped with CNG/LPG, ensure availability of fire extinguisher in the vehicle all the time.
9. Always wear seat belt at all the times.
10. Do not use mobile phone while driving.
11. Avoid Smoking in the car, live bud thrown in car may cause fire.
12. Do not put any body part under the vehicle when it is supported on a Jack.
13. Do not use non-genuine accessories in your vehicle.
14. Do not fit accessories from unauthorized workshops/sources.
15. Usage of non-approved electrical accessories in your vehicle may result in spark, fire or personal injury.

CELERIO NEW MODEL 18-12-2013

CELERIO NEW MODEL 18-12-2013

1ST. FREE INSPECTION COUPON (CUSTOMER'S COPY) (1,000 KM or 1 MONTH)

WHICHEVER COMES FIRST

JOB MARK: √ : Checked OK, A: Adjust, C: Clean, T: Tighten, R: Repair, X: Replace, L: Lubricate

- 1. ENGINE**
- 1. Engine Coolant (Level, Leakage)
 - 2. Engine Oil (Level, Leakage)
 - 3. Cooling System hoses & connections (Leakage, Damage)
- 2. FUEL**
- 1. Fuel filter, Fuel tank cap, Fuel lines and connections (Leakage)
- 3. CLUTCH AND TRANSMISSION**
- 1. Clutch pedal (Play) (M/T Only)
 - 2. Clutch slipping (Dragging, Damage)
 - 3. Transmission / Differential Oil (Level, Leakage)
 - 4. Gear Shifter Cable (operation) (M/T Only)
- 4. BRAKE**
- 1. Brake fluid (Level, Leakage)
 - 2. Brake pedal (Pedal to wall clearance)
 - 3. Parking brake lever (Play)
 - 4. Brake hoses & pipes (Leakage, Damage)
 - 5. Brake shoe to drum clearance (Adjust)
- 5. WHEEL**
- 1. Tyres (Air pressure, Abnormal wear, damage)
 - 2. Wheels (Inspect)

- JOB**
- 6. FRONT AND REAR SUSPENSION**
- 1. Struts/shock absorbers (Oil leakage)
- 7. STEERING**
- 1. Steering wheel (Play)
 - 2. All Rods & Arms (Loose, Damage, Wear)
 - 3. Power Steering System (Operation)
 - 4. Tilt steering (Operation) (if equipped)
- 8. ELECTRICAL**
- 1. Battery electrolyte (Level, Leakage)
 - 2. Lighting system/horn (Operation)
 - 3. Wiper (Operation)
- 9. BODY**
- 1. All Latches, Hinges & Locks/Central Locking (Operation) (if equipped)
- 10. FOR MARUTI AIR-CONDITIONED VEHICLES**
- 1. Drive belt (Tension)
 - 2. Check functioning of Recirc flap
 - 3. Check all Hose Joints
- 11. ROAD TEST**
- 1. Operation of Brakes, clutch, Gear shifting and Speedometer
 - 2. Body & Chassis noise

COST OF MATERIALS AND CONSUMABLES TO BE BORNE BY CUSTOMER

* MODEL CODES : ALTO-MRF308/310/410/308C, BALENO-MY416, MARUTI 800-MB308, ESTEEM-MF413,MF415D, GYPSY KING-MG413W, OMNI-MT308, VERSA-MGA413, WAGON-R-MRD410, ZEN-MH410/MH415D, SWIFT-RS412/RS413/RS413D, SX-4-RW416/416, GRAND VITARA XL7-JA627, ZEN ESTILO-RK410/310/310C, SWIFT DZIRE-RN412/RN413/RN413D, A-STAR-AMF310, RITZ-A5E412/A5E413D, EECO-MGA412/412C, NEW WAGONR-A1J310/310C, ERTIGA-AV414/413D, CELERIO-AVH310

1ST. FREE INSPECTION COUPON

(DEALER'S COPY)

(1,000 KM or 1 MONTH)

Please see overleaf for special instructions

Model Code*																				
Chassis No. :																				
Engine No. :																				
Mileage																				
Date of Delivery																				
Date of Inspection																				
Registration No.																				
Service Dealer/Mass Code																				
Customer Name																				
Address (Please write complete address)																				
Telephone No.																				

Mechanic's Signature
Service Manager's Signature
Customer's Signature

Stamp of Selling dealer
(Code & Full Address)

For Servicing Dealer/Mass

- 1.0 : Please fill up Model codes correctly.
- 2.0 : Please fill up Complete chasis No.
- 3.0 : Please fill up customer details i.e. Address and Telephone No. legibly and correctly for the latest owner.

For Selling Dealer

- 1.0 : Please send all Free Service Coupon to us once in a month after settlement of free service charges.

Service Division
Maruti Suzuki India Limited



Model Code*									
Chassis No. :									
Engine No. :									
Mileage									
Date of Delivery									
Date of Inspection									
Registration No.									
Service Dealer/Mass Code									
Customer Name									
Address (Please write complete address)									
Telephone No.									

<i>Mechanic's Signature</i>
<i>Service Manager's Signature</i>
<i>Customer's Signature</i>

2ND. FREE INSPECTION COUPON (CUSTOMER'S COPY) (5,000 KM or 6 MONTHS)

WHICHEVER COMES FIRST

JOB MARK: ✓ : Checked OK, A: Adjust, C: Clean, T: Tighten, R: Repair, X: Replace, L: Lubricate

1. ENGINE

- Engine Coolant (Level, Leakage)
- Engine Oil (Level, Leakage)
- Cooling System hoses & connections (Leakage, Damage)
- PCV System (Hoses, Connections, Valve)
- Exhaust System (Noise, Leakage)

JOB

2. FUEL

- Air cleaner (Clean)
- Fuel filter, Fuel tank cap, Fuel lines and connections (Leakage)

3. CLUTCH AND TRANSMISSION

- Clutch pedal (Play) (M/T Only)
- Clutch slipping (Dragging, Damage)
- Transmission / Differential Oil (Level Leakage)
- Gear shifter cables (Operation) (M/T Only)
- Drive shaft boots (Damage)

4. BRAKE

- Brake fluid (Level, Leakage)
- Brake pedal (Pedal to wall clearance)
- Parking brake lever (Play)
- Brake Disc & Pads (Inspect)
- Brake hoses & pipes (Leakage, Damage)
- Brake shoe to drum clearance (Adjust)

5. WHEEL

- Tyres (Air pressure, Abnormal wear, Rotation)
- Wheels (Inspect)
- Front/Rear Wheel Bearings (Loose, Damage)

6. FRONT AND REAR SUSPENSION

- Suspension strut/shock absorber (Oil Leakage)
- Suspension arms, Knuckle, Rear spring (Damage, Loose)
- All Nuts & Bolts (Tighten)

JOB

7. STEERING

- Steering wheel (Play)
- All Rods & Arms (Loose, Damage, Wear)
- Power Steering System (Operation)
- Tilt steering (Operation) (if equipped)

8. ELECTRICAL

- Battery electrolyte (Level, Leakage)
- Lighting system/Horn (Operation)
- Wiring Harness Connections (Looseness)
- Accessory Socket (operation) (if equipped)
- Wiper (Operation)

9. BODY

- All Latches, Hinges & Locks/Central Locking (Operation/Lubrication) (if equipped)
- All Chassis nuts & bolts (Inspect)
- Seat belt (Operation)
- Seat latch, lever & knob (Operation)

10. FOR MARUTI AIR-CONDITIONED VEHICLES

- Drive belt (Tension, Damage)
- Check functioning of Recirc flap
- Check all Hose Joints
- Tighten Compressor Mounting Bolts
- Clean Condenser with low pressure water

11. ROAD TEST

- Operation of Brakes, clutch Gear shifting and Speedometer
- Body & Chassis noise

COST OF MATERIALS AND CONSUMABLES TO BE BORNE BY CUSTOMER

2ND. FREE INSPECTION COUPON

(DEALER'S COPY) (5,000 KM or 6 MONTHS)

Model Code *									
Chassis No. :									
Engine No. :									
Mileage									
Date of Delivery									
Date of Inspection									
Registration No.									
Service Dealer/Mass Code									

Mechanic's Signature
Service Manager's Signature
Customer's Signature

*MODEL CODES : ALTO-MRF308/310/410/308C, BALENO-MY416, MARUTI 800-MB308, ESTEEM-MF413, MF415D, GYPSY KING-MG413W, OMNI-MT308, VERSA-MGA413, WAGONR-MRD410, ZEN-MH410/MH415D, SWIFT-RS412/RS413/RS413DSX-4-RW416/416, GRAND VITARA XL7-JA627, ZEN ESTILO-RK410/310/310C, SWIFT DZIRE-RN412/RN413/RN413D, A-STAR-AMF310, RITZ-A5E412/A5E413D, EECO-MGA412/412C, NEW WAGONR-A1J310/310C, ERTIGA-AVH414/413D, CELERIO-AVH310

Stamp of Selling dealer (Code & Full Address)

For Servicing Dealer/Mass

- 1.0 : Please fill up Model codes correctly.
- 2.0 : Please fill up Complete chasis No.
- 3.0 : Please fill up customer details i.e. Address and Telephone No. legibly and correctly for the latest owner.

For Selling Dealer

- 1.0 : Please send all Free Service Coupon to us once in a month after settlement of free service charges.

Service Division
Maruti Suzuki India Limited



Model Code*									
Chassis No. :									
Engine No. :									
Mileage									
Date of Delivery									
Date of Inspection									
Registration No.									
Service Dealer/Mass Code									

<i>Mechanic's Signature</i>
<i>Service Manager's Signature</i>
<i>Customer's Signature</i>

3RD. FREE INSPECTION COUPON (CUSTOMER'S COPY) (10,000 KM or 12 MONTHS)

WHICHEVER COMES FIRST

JOB MARK: ✓ : Checked OK, A: Adjust, C: Clean, T: Tighten, R: Repair, X: Replace, L: Lubricate

1. ENGINE

- 1. Engine Coolant (Level, Leakage)
- 2. Cooling System hoses & connections (Leakage, Damage)
- 3. Engine oil & oil filter (Replace)
- 4. Cylinder head & Manifolds Nuts & Bolts (Tight)

JOB

2. FUEL

- 1. Air cleaner (Clean)
- 2. Fuel filter, Fuel tank cap, Fuel lines and connections (Leakage)

3. CLUTCH AND TRANSMISSION

- 1. Clutch pedal (Play) (M/T Only)
- 2. Clutch slipping (Dragging, Damage)
- 3. Transmission / Differential Oil (Level Leakage)
- 4. Gear Shifter Cables (Operation) (M/T Only)
- 5. Universal Joints slack (Inspect)
- 6. Drive shaft boots (Damage)

4. BRAKE

- 1. Brake fluid (Level, Leakage)
- 2. Brake pedal (Pedal to wall clearance)
- 3. Parking brake lever (Play)
- 4. Brake Disc & Pads (Inspect)
- 5. Brake hoses & pipes (Leakage, Damage)
- 6. Brake Drums & Shoes (Inspect)
- 7. Brake shoe to drum clearance (Adjust)

5. WHEEL

- 1. Tyres (Air pressure, Abnormal wear, Rotation)
- 2. Wheels (Inspect)
- 3. Front/Rear Wheel Bearings (Loose, Damage)

6. FRONT AND REAR SUSPENSION

- 1. Suspension strut/shock absorber (Oil Leakage)
- 2. Suspension arms, Knuckle, Rear spring (Damage, Loose)
- 3. All Nuts & Bolts (Tighten)

7. STEERING

- 1. Steering wheel (Play)
- 2. All Rods & Arms (Loose, Damage, Wear)
- 3. Power Steering System (Operation)
- 4. Tilt steering (operation) (if equipped)

8. ELECTRICAL

- 1. Battery electrolyte (Level, Leakage)
- 2. Lighting system/Horn (Operation)
- 3. Wiring Harness Connections (Looseness)
- 4. Accessory Socket (Operation) (if equipped)
- 5. Wiper (Operation)

9. BODY

- 1. All Latches, Hinges & Locks/Central Locking (Operation/Lubrication) (if equipped)
- 2. All Chassis nuts & bolts (Tighten)
- 3. Seat belt (operation)
- 4. Seat latch, lever & knob (operation)

10. FOR MARUTI AIR-CONDITIONED VEHICLES

- 1. Drive belt (Tension, Damage)
- 2. Check functioning of Recirc flap
- 3. Check all Hose Joints
- 4. Tighten Compressor Mounting Bolts
- 5. Clean Condenser with low pressure water

11. ROAD TEST

- 1. Operation of Brakes, clutch Gear shifting and Speedometer
- 2. Body & Chassis noise

COST OF MATERIALS AND CONSUMABLES TO BE BORNE BY CUSTOMER

3RD. FREE INSPECTION COUPON

(DEALER'S COPY) (10,000 KM or 12 MONTHS)

Model Code *									
Chassis No. :									
Engine No. :									
Mileage									
Date of Delivery									
Date of Inspection									
Registration No.									
Service Dealer/Mass Code									

Mechanic's Signature
Service Manager's Signature
Customer's Signature

*MODEL CODES : ALTO-MRF308/310/410/308C, BALENO-MY416, MARUTI 800-MB308, ESTEEM-MF413, MF415D, GYPSY KING-MG413W, OMNI-MT308, VERSA-MGA413, WAGONR-MRD410, ZEN-MH410/MH415D, SWIFT-RS412/RS413/RS413DSX-4-RW416/416, GRAND VITARA XL7-JA627, ZEN ESTILO-RK410/310/310C, SWIFT DZIRE-RN412/RN413/RN413D, A-STAR-AMF310, RITZ-A5E412/A5E413D, EECO-MGA412/412C, NEW WAGONR-A1J310/310C, ERTIGA-AVH414/413D, CELERIO-AVH310

Stamp of Selling dealer (Code & Full Address)

For Servicing Dealer/Mass

- 1.0 : Please fill up Model codes correctly.
- 2.0 : Please fill up Complete chasis No.
- 3.0 : Please fill up customer details i.e. Address and Telephone No. legibly and correctly for the latest owner.

For Selling Dealer

- 1.0 : Please send all Free Service Coupon to us once in a month after settlement of free service charges.

Service Division
Maruti Suzuki India Limited



Model Code*									
Chassis No. :									
Engine No. :									
Mileage									
Date of Delivery									
Date of Inspection									
Registration No.									
Service Dealer/Mass Code									

<i>Mechanic's Signature</i>
<i>Service Manager's Signature</i>
<i>Customer's Signature</i>

TABLE OF CONTENTS

VEHICLE DETAILS	1
WARRANTY POLICY	2
FUEL RECOMMENDATION	3
BEFORE DRIVING	4
OPERATING YOUR VEHICLE	5
DRIVING TIPS	6
OTHER CONTROLS AND EQUIPMENT	7
VEHICLE LOADING AND TOWING	8
INSPECTION AND MAINTENANCE	9
EMERGENCY SERVICE	10
APPEARANCE CARE	11
GENERAL INFORMATION	12
SPECIFICATION	13

FOREWORD

This manual is an essential part of your vehicle and should remain with the vehicle when resold or otherwise transferred to a new owner or operator. Please read this manual carefully before operating your new MARUTI SUZUKI and review the manual from time to time. It contains important information on safety, operation and maintenance. You are invited to avail the three Free Inspection Services as described in the manual. Three free inspection coupons are attached to this manual. Please show this manual to your dealer while you take your MARUTI SUZUKI for any Service.

To prolong the life of your vehicle and reduce maintenance cost, the periodic maintenance must be carried out according to "PERIODIC MAINTENANCE SCHEDULE" described in "INSPECTION AND MAINTENANCE" section of this manual. It is essential for preventing trouble and accidents to ensure your satisfaction and safety. Daily inspection and care as per "DAILY INSPECTION CHECKLIST" described in the "INSPECTION AND MAINTENANCE" section of this manual is essential for prolonging the life of the vehicle and for safe driving.

MARUTI SUZUKI INDIA LIMITED believes in conservation and protection of Earth's natural resources. To that end, we encourage every vehicle owner to recycle, trade-in or properly dispose of, as appropriate, used Engine Oil, coolant and other fluids, batteries and tyres etc.

MARUTI SUZUKI INDIA LIMITED

All information in this manual is based on the latest product information available at the time of publication. Due to improvements or other changes, there may be discrepancies between information in this manual and your vehicle. MARUTI SUZUKI INDIA LIMITED reserves the right to make production changes at any time, without notice and without incurring any obligation to make the same or similar changes to vehicles previously built or sold. This vehicle may not comply with standards or regulations of other countries. Before attempting to register this vehicle in any other country, check all applicable regulations and make any necessary modifications.

IMPORTANT

▲ **WARNING/ CAUTION/ NOTICE/ NOTE**

Please read this manual and follow its instructions carefully. To emphasize special information, the symbol and the words **WARNING**, **CAUTION**, **NOTICE** and **NOTE** have special meanings. Pay particular attention to messages highlighted by these signal words:

▲ **WARNING**

Indicates a potential hazard that could result in death or serious injury.

▲ **CAUTION**

Indicates a potential hazard that could result in minor or moderate injury.

NOTICE

Indicates a potential hazard that could result in vehicle damage.

NOTE:

Indicates special information to make maintenance easier or instructions clearer.



76G-00-001

The circle with a slash in this manual means “Don’t do this” or “Don’t let this happen”.

MODIFICATION WARNING

▲ **WARNING**

Do not modify your vehicle. Modification could adversely affect safety, handling, performance, or durability and may violate governmental regulations. In addition, damage or performance problems resulting from modification may not be covered under warranty.

NOTICE

Improper installation of mobile communication equipment such as cellular telephones or CB (Citizen’s Band) radios may cause electronic interference with your vehicle’s ignition system, resulting in vehicle performance problems. Consult your **MARUTI SUZUKI** dealer for advice on installing such mobile communication equipment.

▲ **WARNING**

Severe damage may be caused by the use of either poor quality fuel and/or lubricants not recommended by **MARUTI SUZUKI**.

VEHICLE DETAILS

MODEL	CHASSIS NO.	ENGINE NO.	KEY NO.	DATE OF DELIVERY	ODOMETER READING (KM)	BATTERY	
						MAKE	SR. NO./BATCH CODE

OWNER'S NAME & ADDRESS _____

_____ TEL. NO. _____

ADDRESS/STAMP OF SELLING DEALER	SELLING DEALER CODE
SHOWROOM	
	IMPORTANT INFORMATION TO CUSTOMER
WORKSHOP	<p>Dear Customer For any assistance with regard to our product, please contact General Manager/Works Manager at any of our Dealer or Authorised Service Station. For additional enquiry you may contact our Regional office or Service Division. The Addresses and Phone nos. are given in Service Network section of this manual.</p>

MAINTENANCE SERVICE RECORD

DATE OF SERVICE	KIND OF SERVICE	MILEAGE (km)	DESCRIPTION OF JOB	NAME OF SERVICING DEALER/MASS	JOB CARD NO.	MECHANIC'S SIGNATURE

F...free Service P...Paid Service W...Warranty. A....Accident

WARRANTY POLICY

Maruti Suzuki India Limited (hereinafter called "Maruti Suzuki"), warrants that each new Maruti Suzuki vehicle distributed in India by Maruti Suzuki and sold by an authorised Maruti Suzuki dealer will be free, under normal use and service, from any defects in material and workmanship at the time of manufacture SUBJECT TO THE FOLLOWING TERMS AND CONDITIONS:

(1) Qualification:

To qualify for this warranty:

- (a) The Maruti Suzuki vehicle must be delivered by Maruti Suzuki authorised dealer and set-up, serviced by Maruti Suzuki authorised dealer/service station.
- (b) The warranty registration card in respect of each vehicle must be completed by the dealer at the time of delivery of the vehicle and dealer should retain the same.

(2) Term:

The term of the warranty shall be twenty four (24) months or 40,000 kilometers (whichever occurs first) from the date of delivery to the first owner.

(3) Maruti Suzuki's Warranty Obligation:

If any defect(s) should be found in a Maruti Suzuki vehicle within the term stipulated above, Maruti Suzuki's only obligation is to repair or replace at its sole discretion any part shown to be defective, with a new part or the equivalent at no cost to the owner for parts or labour, when Maruti Suzuki acknowledges that such a defect is attributable to faulty material or workmanship at the time of manufacture. The owner is responsible for any repair or replacements which are

not covered by this warranty.

(4) Limitation:

This warranty shall not apply to:

- (1) normal maintenance service required other than the three free services, including without limitation, oil and fluid changes, headlight aiming, fastener retightening, wheel balancing, wheel alignment and tyre rotation, cleaning of injectors, adjustments of carburettor, ignition timing, clutch and valve clearance.
- (2) the replacement of normal wear parts including without limitation, bulbs, tyres and tubes, spark plugs, belts, hoses, filters, wiper blades, brushes, contact points, fuses, clutch disc, brake shoes, brake pads, cable and all rubber parts (except oil seal and glass run).
- (3) any vehicle which has been used for competition or racing.
- (4) any repairs or replacement required as a result of accidents or collision.
- (5) any defects caused by misuse, negligence, abnormal use or insufficient care.
- (6) any vehicle which has been modified or altered, including without limitation, the installation of performance accessories.
- (7) any vehicle on which parts or accessories not approved by Maruti Suzuki have been used.
- (8) any vehicle which has not been operated in accordance with the operating instructions in the Maruti Suzuki Owner's Manual.
- (9) any vehicle which has not received, during the warranty term, the service inspections prescribed in the Maruti Suzuki Owner's Manual.
- (10) any vehicle which has been assembled, disassembled, adjusted or repaired by other than an Maruti Suzuki authorised dealer/service station.

- (11) any vehicle which has been used for purposes other than what it was designed for.
- (12) any damage or deterioration caused by industrial pollution and bird droppings.
- (13) insignificant defects which do not affect the function of the vehicle including without limitation, sound, vibration and fluid seep.
- (14) any natural wear and tear including without limitation, aging etc.
- (15) Installation and usage of Domestic LPG Gas/LPG cylinder.
- (16) V-belts, hoses and gas leaks (For Maruti Suzuki AC vehicle).
- (17) Any vehicle retrofitted with LPG / CNG kits.

(5) Extent of Warranty:

This warranty is the entire written warranty given by Maruti Suzuki for Maruti Suzuki vehicles and no dealer or its or his agent or employee is authorised to extend or enlarge this warranty and no dealer or its or his agent or employee is authorised to make any oral warranty on Maruti Suzuki's behalf.

Maruti Suzuki reserves the right to add any improvements or change the design of any model at any time with no obligation to make the same changes on units previously sold.

(6) Warranty Service:

To obtain warranty service, the complete vehicle must be presented at the owner's expenses to any authorised Maruti Suzuki dealer.

(7) Owner's Warranty Responsibilities:

It is responsibility of each owner to:

- (a) make certain that the warranty registration/PDI card was completed at the time of delivery of the vehicle;
- (b) have performed, at his own expenses, by an Maruti Suzuki authorised dealer/service station all the service inspections specified in the Maruti Suzuki "Owner's Manual and Service Booklet" and maintain adequate proof that such service inspections have been performed.
- (c) make certain that the Maruti Suzuki authorised dealer/service station performing the service inspection has certified the work on the "Maintenance Service Record" page in the "Owner's Manual and Service Booklet" and
- (d) present the Maruti Suzuki "Owner's Manual and Service Booklet" to the authorised Maruti Suzuki dealer whenever requesting service inspections or warranty service.

If the "Owner's Manual and Service Booklet" should be lost or destroyed the owner should consult the authorised Maruti Suzuki dealer from whom the vehicle was purchased for instructions concerning replacement of the "Owner's Manual and Service Booklet".

(8) Disclaimer of Consequential Damage:

Maruti Suzuki assumes no responsibility for loss of vehicle, loss of time, inconvenience or any other indirect incidental or consequential damage resulting from the vehicle not being available to the owner because of any defect covered by this warranty.

(9) Change of Owner

Even if ownership of the vehicle changes, the remaining warranty period is effective for the new owner.

EMISSION WARRANTY

Maruti Suzuki offers the Emission Warranty on all Maruti Suzuki vehicles (apart from the Regular warranty and will run parallel to the regular product warranty) only in four metropolitan cities (**New Delhi, Kolkata, Mumbai and Chennai**) with effect from **July 1st, 2001**.

Terms:

The Emission Warranty will be applicable for **80,000 kms or 3 years** (Which ever comes earlier) from the date of delivery to the first owner. The remaining warranty terms will be valid in case of any change in ownership provided the production of all valid document.

Conditions:

1. Under Emission Warranty, Warranty claims will be admitted for a prima facie examination, in case vehicle fails to meet to the Emission Standard as specified in sub rule (2) of rule no. 115 of Central Motor Vehicles Rules (CMVR), 1989.
2. The warranty claims will only be accepted after examination carried out by Maruti Suzuki or it's dealer which leads to firm conclusions that the
 - a) Original settings have not been tempered in any case.
 - b) Part (as given in Annexure-A) has a manufacturing defect.
 - c) Vehicle is unable to meet the Emission Standards (as given in 1.), inspite of the vehicle having been maintained and used in accordance with the instructions as specified in Owner's Manual and Service Booklet and the used fuel and different oils (Engine oil, Transmission oil, Brake oil etc.) are also as per specification.
3. The method of examination for deciding the warranty of the parts will be at the sole discretion of Maruti Suzuki and it's dealer and results of the examination will be final and binding. If after examination, the warrantable condition is not established, Maruti Suzuki and it's dealer has the right to charge all, or part of the cost of such examination.
4. Under Emission Warranty, the parts (as given in Annexure-A) will be changed free of cost, but the consumables will be charged as per actual.
5. If the part covered under Emission Warranty or the associated parts, are not independently replaceable, on account of these being integral parts a complete assembly, Maruti Suzuki and it's dealer will have the sole discretion to replace entire assembly or by using some of the parts of the system through suitable repair or modifications.

6. Any consequential repairs or replacement of parts which may be found necessary to establish compliance of Emission Warranty, will not be considered under warranty, unless the same is under product warranty. The consumable will be charged as per actual under such repair or replacement.
7. Maruti Suzuki will not be responsible for the cost of transportation of the vehicle to the nearest Maruti Suzuki dealer workshop or any loss due to non-availability of the vehicle during the period of lodging of a warranty claim and examination and/or repair by Maruti Suzuki dealer.
8. Maruti Suzuki will not be responsible for any penalty that may be charged by statutory authorities on account of failure to comply with the EMISSION STANDARDS.
9. Emission Warranty will not be affected on the change of owner, provided all the documents are available.
10. All maintenance actions (as specified in the Owner's Manual and Service Booklet) need to be followed and recorded in the manual for emission warranty.
11. The customer needs to produce the PUC (Pollution Under Control) certificate valid for the period preceding the test during which the failure is discovered. The receipts (for the maintenance of the vehicle as per specification in Owner's Manual and Service Booklet from the date of original purchase of the vehicle) will also be required.

Condition Under which the Emission Warranty is not APPLICABLE

1. In the absence of valid PUC certificate.
2. Vehicle not serviced from Maruti Suzuki authorised workshop as per the schedule specified in the Owner's Manual.
3. Vehicle subjected to abnormal use (accident, motor race, rallies or for the purpose of establishing the records etc.)
4. Use of non MGP (Maruti Genuine Part).
5. Vehicle tampered in an unauthorised manner.
6. Tampering with odometer so that the actual kilometer reading can not be read.
7. Use of adulterated fuel and/or unspecified oils (Engine oil, Transmission oil and Brake oil etc.)

Annexure-A

List of parts covered under Emission Warranty

1. Fuel injection Assembly, Pressure Regulator, Throttle Body Assembly.
2. Electronic Control Module (ECM).
3. Intake Manifold.
4. EGR valve.
5. Distributor and internal parts.
6. Ignitions coil.
7. Canister Assembly.
8. Vapour Liquid Separator.
9. Fuel Tank and Filler Cap.
10. PCV (Positive Crankcase Ventilation) Valve.
11. Oil Filler Cap.
12. Catalytic Convertor.
13. Exhaust manifold.
14. All fuel injection System related SENSORS.
15. High Pressure Fuel Pump.
16. Glow Plug.
17. Glow Plug Controller.
18. Maniverter

FUEL RECOMMENDATION

You must use unleaded petrol with an octane number (RON) of 91 or higher.

Petrol/Ethanol blends

Blends of unleaded petrol and ethanol (grain alcohol), also known as gasohol, are commercially available in some areas. Blends of this type may be used in your vehicle if they are no more than 10% ethanol. Make sure this petrol-ethanol blend has octane ratings no lower than those recommended for petrol.

Petrol/Methanol blends

Blends of unleaded petrol and methanol (wood alcohol) are also commercially available in some areas. DO NOT USE fuels containing more than 5% methanol under any circumstances. Fuel system damage or vehicle performance problems resulting from the use of such fuels are not the responsibility of MARUTI SUZUKI and may not be covered under the New Vehicle Warranty.

Fuels containing 5% or less methanol may be suitable for use in your vehicle if they contain cosolvents and corrosion inhibitors.

NOTE:

If you are not satisfied with the driveability or fuel economy of your vehicle when you are using a petrol/alcohol blend, you should switch back to unleaded petrol containing no alcohol.

NOTICE

The fuel tank has an air space to allow for fuel expansion in hot weather. If you continue to add fuel after the filler nozzle has automatically shut off or an initial blowback occurs, the air chamber will become full. Exposure to heat when fully fuelled in this manner will result in leakage due to fuel expansion. To prevent such fuel leakage, stop filling after the filler nozzle has automatically shut off, or when using an alternative non-automatic system, initial vent blowback occurs.

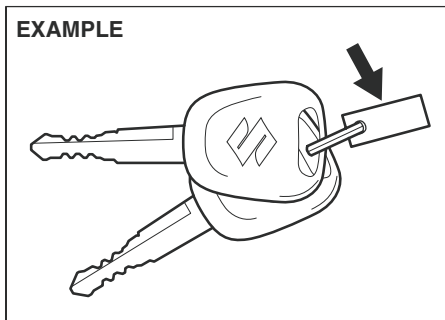
NOTICE

Be careful not to spill fuel containing alcohol while refueling. If fuel is spilled on the vehicle body, wipe it up immediately. Fuels containing alcohol can cause paint damage, which is not covered under the New Vehicle Limited Warranty.

BEFORE DRIVING

Keys	4-1
Door Locks	4-2
Keyless Entry System Transmitter (if equipped)	4-5
Security System (if equipped)	4-7
Windows	4-10
Mirrors	4-12
Front Seats	4-14
Rear Seats	4-14
Seat Belts and Child Restraint Systems	4-16
Supplemental Restraint System (air bags) (if equipped)	4-23
Instrument Cluster	4-30
Speedometer	4-31
Tachometer (if equipped)	4-31
Fuel Gauge	4-31
Brightness Control	4-32
Information Display	4-32
Warning and Indicator Lights	4-40
Lighting Control Lever	4-45
Front Fog Light Switch (if equipped)	4-46
Headlight Leveling Switch	4-46
Turn Signal Control Lever	4-47
Hazard Warning Switch	4-48
Windshield Wiper and Washer Lever	4-48
Tilt Steering Lock Lever (if equipped)	4-50
Horn	4-50
Heated Rear Window Switch (if equipped)	4-50

Keys



51KM024

Your vehicle comes with a pair of keys with one or two transmitter or without transmitter. Keep the spare key in a safe place. One key can open all of the locks on the vehicle.

The key identification number is stamped on a metal tag provided with the keys or on the keys. Keep the tag (if equipped) in a safe place. If you lose your keys, you will need this number to have new keys made. Write the number below for your future reference.

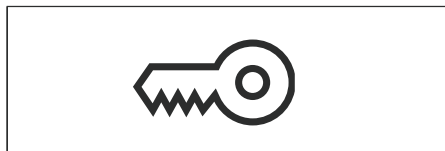
KEY NUMBER:

Immobilizer System

This system is designed to help prevent vehicle theft by electronically disabling the

engine starting system.

The engine can be started only with your vehicle's original immobilizer ignition key which has an electronic identification code programmed into it. The key communicates the identification code to the vehicle when the ignition switch is turned to the "ON" position. If you need to make spare keys, see your MARUTI SUZUKI dealer. The vehicle must be programmed with the correct identification code for the spare keys. A key made by an ordinary locksmith will not work.



80JM122

If the immobilizer system light blinks when the ignition switch is in the "ON" position, the engine will not start.

NOTE

- If this light blinks, turn the ignition switch to the "LOCK" position, then turn it back to the "ON" position.
- If the light still blinks with the ignition switch turned to the "ON" position, there may be something wrong with your key or with the immobilizer system. Ask your MARUTI SUZUKI dealer to inspect the system.

NOTE:

- If you lose your immobilizer ignition key, contact your MARUTI SUZUKI dealer as soon as possible to have the lost one deactivated, then have the new key made by them.
- If you own other vehicles with immobilizer keys, keep those keys away from the ignition switch when using your vehicle, or the engine may not be started because they may interfere with your vehicle's immobilizer system.
- If you attach any metal objects to the immobilizer key, it may not start the engine.

NOTICE

The immobilizer key is a sensitive electronic instrument. To avoid damaging the immobilizer key:

- Do not expose it to impacts, moisture or high temperature such as on the dashboard under direct sunlight.
- Keep the immobilizer key away from magnetic objects.

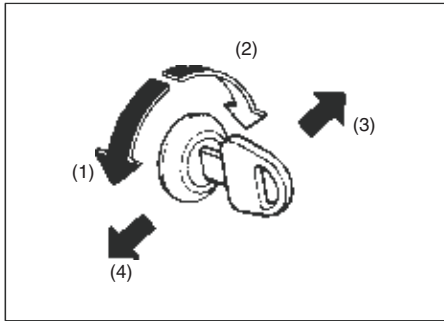
Ignition Key Reminder (if equipped)

A buzzer sounds intermittently to remind you to remove the ignition key if it is in the ignition cylinder when the driver's door is opened.

Door Locks

Side Door Locks

Driver's door



76MH0A001

- 1) LOCK
- 2) UNLOCK
- 3) Front
- 4) Rear

To lock a driver's door from outside the vehicle:

- Insert the key and turn the top of the key toward the front of the vehicle, or
- Turn the lock knob forward, then pull and hold the door handle as you close the door.

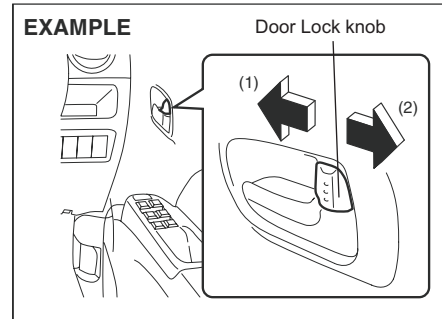
To unlock a driver's door from outside the vehicle, insert the key and turn the top of

4-2

the key toward the rear of the vehicle.

To lock a front passenger's door from outside the vehicle, turn the lock knob forward, then pull and hold the door handle as you close the door.

To lock a rear door from outside the vehicle, turn the lock knob forward and close the door. You do not need to hold the door handle up as you close the door.



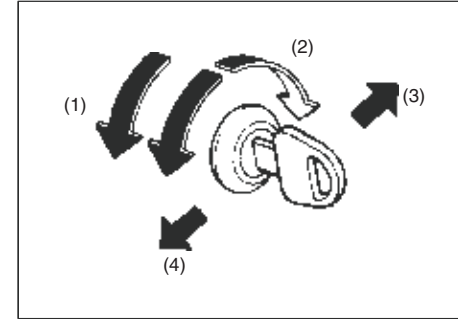
76MH0A019

- 1) LOCK
- 2) UNLOCK

To lock a door from inside the vehicle, turn the lock knob forward. Turn the lock knob backward to unlock the door. You do not need to pull and hold the door handle as you close the door.

Central Door Locking System (if equipped)

Driver's door



76MH0A002

- 1) LOCK
- 2) UNLOCK
- 3) Front
- 4) Rear

You can lock and unlock all doors (including the tailgate) simultaneously by using the key in the driver's door lock.

To lock all doors simultaneously, insert the key in the driver's door lock and turn the top of the key toward the front of the vehicle once.

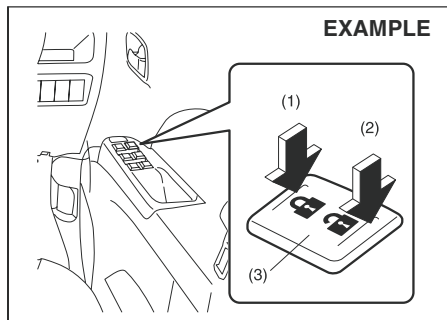
To unlock all doors simultaneously, insert the key in a driver's door lock and turn the

top of the key toward the rear of the vehicle twice.

NOTE:

You can switch the function that unlocks all doors from twice operations to once operation, and vice versa, via the setting mode of the information display. For details on how to use the information display, refer to "Information Display" in this section.

To unlock the driver's door only, insert the key in that door lock and turn the top of the key toward the rear of the vehicle once.



76MH0A020

- 1) LOCK
- 2) UNLOCK

You can also lock or unlock all doors by depressing the front or rear of the switch (3), respectively.

NOTE:

- Individual doors can also be **UNLOCKED** anytime by using their respective "Door Lock Knob" inside the vehicle.
- If child proof locks are in locked position, rear doors cannot be opened from inside.

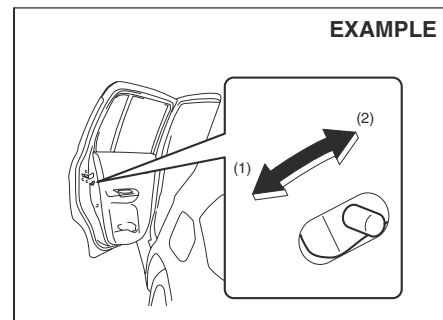
NOTE:

If your vehicle is equipped with keyless entry system, you can also lock or unlock all doors by operating the transmitter. Refer to "Keyless Entry System Transmitter" in this section.

NOTE:

- All doors are automatically unlocked when you turn the ignition switch to the "LOCK" position and pull out the key.
- All doors are automatically locked for safety when the vehicle speed reaches 15 km/h.
- You can change the automatic locking or unlocking function mentioned above via the setting mode of the information display. For details on how to use the information display, refer to "Information Display" in this section.

Child-Proof Locks (rear door)



76MH0A021

- 1) LOCK
- 2) UNLOCK

Each of the rear doors is equipped with a child-proof lock which can be used to help prevent unwanted opening of the door from inside the vehicle. When the lock lever is in the "LOCK" position (1), the rear door can only be opened from outside. When the lock lever is in the "UNLOCK" position (2), the rear door can be opened from inside or outside.

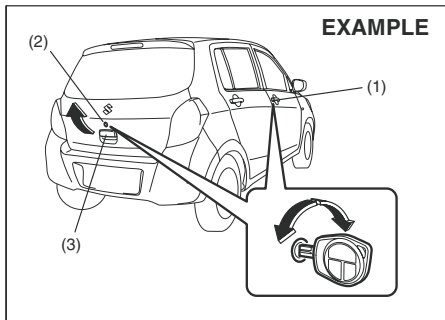
⚠ WARNING

Be sure to place the child-proof lock in the "LOCK" position whenever children are seated in the rear.

Tailgate

▲ WARNING

Always make sure that the tailgate is closed and latched securely. Completely closing the tailgate helps prevent occupants from being thrown from the vehicle in the event of an accident. Completely closing it also helps keep exhaust gases from entering the vehicle.



76MH0A086

- 1) Driver's door lock
- 2) Tailgate lock
- 3) Tailgate handle

- If your vehicle is equipped with the central door locking system, you can lock or unlock the tailgate by using the key in the driver's door lock (1).

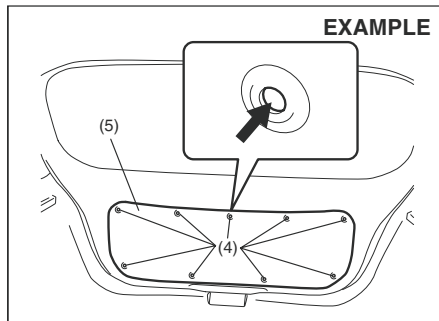
4-4

- If your vehicle is not equipped with the central door locking system, you can lock or unlock the tailgate by using the key in the tailgate lock (2).

To open the tailgate, pull up the tailgate handle (3) and lift the tailgate.

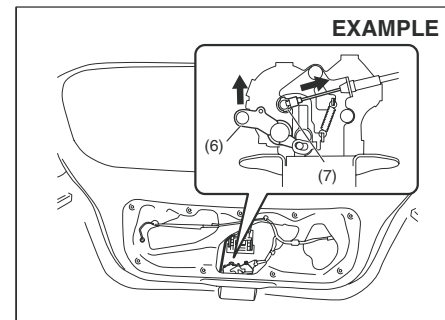
If you cannot unlatch the tailgate by pulling up the tailgate handle (3) due to a discharged battery or malfunction, follow the procedures below to unlatch the tailgate from inside the vehicle.

- 1) Remove the luggage compartment cover (if equipped) and fold the rear seat forward for easier access. Refer to "Folding Rear Seats" section for details on how to fold the rear seat forward.



76MH0A099

- 2) Remove the trim (5) of the tailgate.
 - Push center of the clips (4) and pull them out. Then, remove the trim (5).



76MH0A137

- 3) To unlock the tailgate lock, pull the lock plate (6) up. To open the tailgate, push the emergency lever (7) sideways. The tailgate will be latched again by simply closing the tailgate.

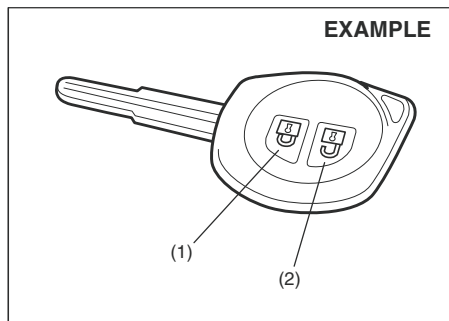
If the tailgate cannot be unlatched by pulling up the tailgate handle (3), have the vehicle inspected by your MARUTI SUZUKI dealer.

▲ CAUTION

Make sure there is no one near the tailgate when pushing open the tailgate from inside the vehicle.

- To avoid injury, do not use your finger to push the emergency lever.

Keyless Entry System Transmitter (if equipped)



81A184

- 1) "LOCK" button
- 2) "UNLOCK" button

You can lock or unlock all doors (including the tailgate) simultaneously by operating the transmitter near the vehicle.

- To lock all doors, push the "LOCK" button (1) once.
- To unlock only the driver's door, push the "UNLOCK" button (2) once.
- To unlock other doors, push the "UNLOCK" button (2) once again.

NOTE:

You can switch the function that unlocks all doors from twice operations to once opera-

tion, and vice versa, via the setting mode of the information display. For details on how to use the information display, refer to "Information Display" in this section.

The turn signal lights will flash once and the siren (if your vehicle is equipped with the security system) will sound once when the doors are locked.

When the doors are unlocked:

- The turn signal lights will flash twice and the siren (if your vehicle is equipped with the security system) will sound twice.
- If the interior light switch is in the "DOOR" position, the interior light will turn on for about 15 seconds and then fade out. If you insert the key into the ignition switch during this time, the light will start to fade out immediately.

Be sure the doors are locked after you operate the "LOCK" button. If no door is opened within about 30 seconds after the "UNLOCK" button is operated, the doors will automatically lock again.

NOTE:

(For models with security system)

- If you lock the doors using the transmitter when the engine hood is open, the siren will sound 3 times to remind you.
- If the security system was triggered due to an unauthorized entry into the vehicle

and then you unlock the doors using the transmitter, the siren will sound 4 times to remind you. If this happens, check whether your vehicle has been broken into while you were away from it.

- Once you push both of the "LOCK" button (1) and "UNLOCK" button (2), then you push one of the buttons within 5 seconds, the siren will not sound. However, if you push one of the buttons twice within 5 seconds, or push one of the buttons 5 seconds later, the siren will sound.
- You can set whether the siren sounds when locking or unlocking the door(s) via the setting mode of the information display. For details on how to use the information display, refer to "Information Display" in this section.

NOTE:

- The maximum operating distance of the keyless entry system transmitter is about 15 m (48 ft.), but this can vary depending on the surroundings, especially near other transmitting devices such as radio towers or CB (Citizen's Band) radios.
- The door locks cannot be operated with the transmitter if the ignition key is inserted in the ignition switch.
- If any door is open, you cannot lock the door by operating the transmitter, however unlock the door.

- If you lose one of the transmitters key, contact your MARUTI SUZUKI dealer as soon as possible for a replacement. Be sure to have your dealer program the new transmitter code in your vehicle's memory so that the old code is erased.

NOTICE

The transmitter is a sensitive electronic instrument. To avoid damaging the transmitter:

- Do not expose it to impacts, moisture or high temperature such as by leaving it on the dashboard under direct sunlight.
- Keep the transmitter away from magnetic objects such as a television.
- Do not tamper with internal parts

Panic alarm function (if equipped)

This function is to get the attention of others.

Push both of the "LOCK" button (1) and "UNLOCK" button (2) for more than 3 seconds. The turn signal lights will blink for about 27.5 seconds. Also, the siren will sound for about 27.5 seconds at the same time.

To cancel the panic alarm, press any button (LOCK or UNLOCK). You can also turn

the ignition switch to the "ON" position to cancel the panic alarm.

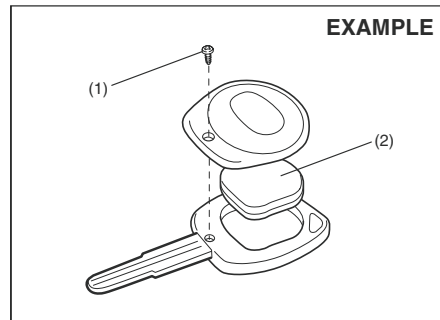
NOTE:

The panic alarm function will not activate when the key is in the ignition switch.

Replacement of the Battery

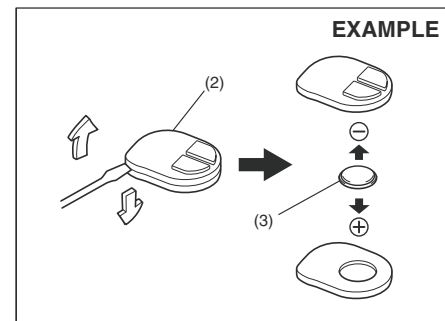
If the transmitter battery gets discharged replace the battery.

To replace the battery of the transmitter:



68LM248

- Remove the screw (1), and open the transmitter cover.
- Remove the transmitter (2).



68LM249

(3) Lithium disc type battery:
CR1616 or equivalent

- Put the edge of a flat blade screwdriver in the slot of the transmitter (2) and pry it open.
- Replace the battery (3) so its + terminal faces the "+" mark of the transmitter.
- Close the transmitter and install it into the transmitter holder.
- Close the transmitter cover, install and tighten the screw (1).
- Make sure the door locks can be operated with the transmitter.
- Dispose of the used battery properly according to applicable rules or regulations. Do not dispose of lithium batteries with ordinary household trash.

⚠ WARNING

Swallowing a lithium battery may cause serious internal injury. Do not allow anyone to swallow a lithium battery. Keep lithium batteries away from children and pets. If swallowed, contact a physician immediately.

NOTICE

The transmitter is a sensitive electronic instrument. To avoid damaging it, do not expose it to dust or moisture or tamper with internal parts.

Security System (if equipped)

The security system is armed in about 5 seconds after you lock all doors (including the tailgate) by using the keyless entry system transmitter. Once the system is armed, any attempt to open a door by using any other means (*) than the keyless entry system transmitter, or open the engine hood, will cause the alarm to be triggered.

* These means include the following:

- The key
- The lock knob on a door
- The central door locking switch

Also, in case that you have set the shock sensor to enabled state and set sensitivity of the pre-warning function and full blast warning function to a level other than 0, the

alarm will be triggered if any attempt to tamper with the vehicle. The shock sensor can be selected enabled or disabled state, and sensitivity of each warning can be adjusted as desired. To set the shock sensor, ask your MARUTI SUZUKI dealer or use the setting mode of the information display.

NOTE:

- The default setting of the shock sensor is in the disabled state. Set to the enabled state and adjust sensitivity of each warning according to your preference. For details on how to use the information display, refer to “Information Display” in this section.
- Your dealer may have already set the shock sensor of the vehicle to the enabled state before you purchase it. Consult your dealer for further information.

NOTE:

- The security system generates alarms when any of the predetermined conditions is met. However, the system does not have any function of blocking unauthorized entry into the vehicle.
- Always use the keyless entry system transmitter to unlock the doors when the security system has been armed. Using a key instead will trigger the alarm.
- If a person who does not know the security system is going to drive the vehicle, we recommend you explain the system and its operation to the person, or disable the

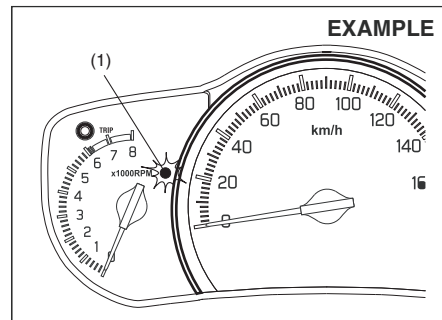
system beforehand. Mistakenly triggering the alarm may cause a nuisance to others.

- Even if the security system is armed, you should still be careful to guard against theft. Do not leave money or things of value in the vehicle.

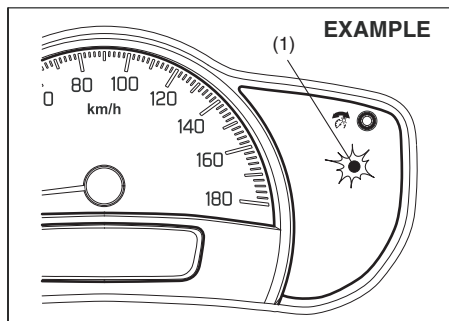
How to arm the security system (when enabled)

Lock all doors (including the tailgate) using the keyless entry system transmitter. The security system indicator (1) will start blinking rapidly, and the security system will be armed in about 5 seconds.

While the system is being armed, the indicator continues to blink at intervals of approximately 2 seconds.

With tachometer

68LM248

Without tachometer

68LM248

NOTE:

- To prevent the alarm from being accidentally triggered, avoid arming it while anyone remains inside the vehicle. The alarm will be triggered if any person inside opens the door or engine hood, or swings the vehicle (if the shock sensor is in the enabled state).
- The security system is not armed when all doors are locked using the key from outside, or using the door lock knobs or the central door locking switch from inside.
- If any door is not operated within approximately 30 seconds after the doors have been unlocked using the keyless entry system transmitter, the doors are automatically locked again. When the doors are

locked, the security system will be armed in about 5 seconds if the system is in the enabled state.

- If the security system indicator (1) blinks when the ignition switch is in the “ON” position, there may be something wrong with the security system. Ask your MARUTI SUZUKI dealer to inspect the system.

How to disarm the security system

Simply unlock the doors using the keyless entry system transmitter. The security system indicator will go out, indicating that the security system is disarmed.

How to stop the alarm

Should the alarm be triggered accidentally, unlock the doors using the keyless entry system transmitter, or insert the key in the ignition switch and turn it to “ON” position. The alarm will then stop.

NOTE:

- Even after the alarm has stopped, if you lock the doors using the keyless entry system transmitter, the security system will be rearmed with a delay of about 5 seconds.
- If you disconnect the battery while the security system is in the armed condition or the alarm is actually in operation, the alarm will be re-triggered when the battery is then reconnected.
- Even after the alarm has stopped at the end of the predetermined operation time, it

will be triggered again if any of the doors or engine hood is opened, or the vehicle feels a shock (if the shock sensor is in the enabled state), without disarming the security system.

Checking whether the alarm has been triggered during parking

If the alarm was triggered and you then turn the ignition switch to “ON” position, the security system indicator will blink rapidly for about 8 seconds and a buzzer will beep 4 times during this period. If this happens, check whether the vehicle has been broken into while you were away from it.

Enabling and disabling the security system

The security system can be either enabled or disabled.

When enabled

- If any of the doors are opened without unlocking by the keyless entry system transmitter, all turn signal lights start to blink and the interior buzzer beeps intermittently. After 5 seconds, the siren will sound for about 27.5 seconds. The security system indicator continues to blink during this time.
- If the engine hood is opened, all turn signal lights blink, and the siren sounds for about 27.5 seconds. The security system indicator continues to blink during this time.

(If the shock sensor is in the enabled state)

- If the vehicle feels a shock, the siren sounds for about 2 seconds (pre-warning). If the vehicle continues to feel a shock, all turn signal lights start to blink and the interior buzzer beeps intermittently. After 5 seconds, the siren will sound for about 27.5 seconds (full blast warning). The security system indicator continues to blink during this time.

NOTE:

If you set the full blast warning sensitivity higher than the pre-warning sensitivity in the setting mode of the information display, or the vehicle feels such shock as to be able to trigger the full blast warning, the full blast warning will be triggered preferentially. In this case, the pre-warning will not be triggered.

When disabled

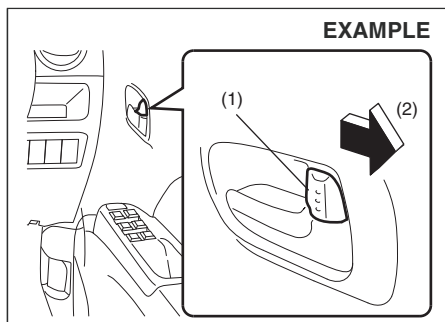
When the system is disabled, it stays disarmed even if you perform any system arming operation.

How to switch the state of the security system

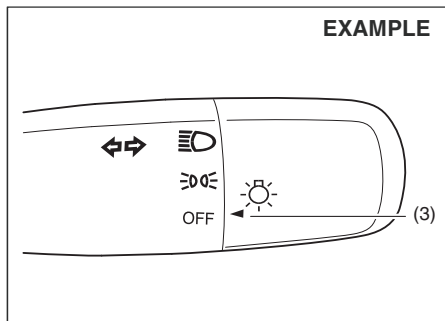
When the security system has been already disarmed, you can switch the system from the enabled state to the disabled state, and vice versa, using the following method.

1) Sit in the driver's seat and make sure that all doors are closed.

- If any door is open, the open door warning light comes on.



68LM248

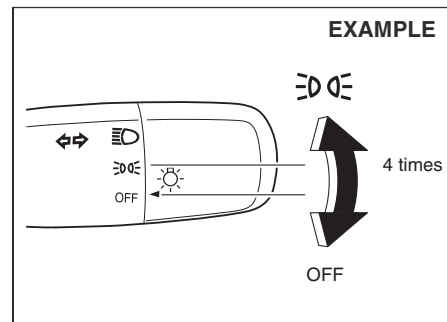


68LM248

2) Turn the lock knob (1) on the driver's door rearward (2). Turn the knob on the lightning control lever to the OFF position (3). Then, turn the ignition switch to "ON" position.

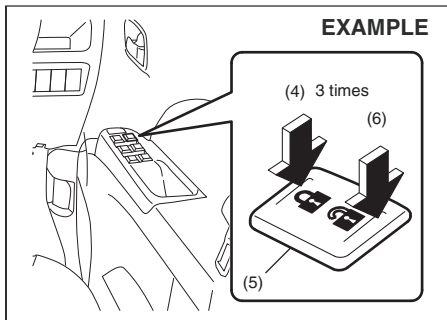
NOTE:

The following steps 3) and 4) must be completed within 15 seconds.



68LM248

3) Turn the knob on the lighting control lever to the position and then turn back to the OFF position. Repeat this operation 4 times.



68LM248

4) Push the lock end (4) (forward end) of the central door locking switch (5), and then push the unlock end (6) (backward end). Repeat this operation 3 times.

Every time you perform the series of the above steps, the state of the security system changes from the currently selected one to the other. You can check whether the system is enabled or disabled by the number of interior buzzer beeps at the end of the procedure as follows.

System state	Number of beeps
Disabled	Once
Enabled	4 times

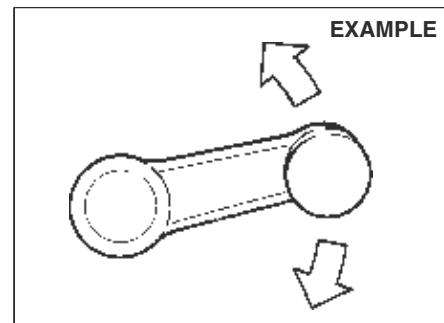
- If you cannot complete the operations in step 3) and 4) within 15 seconds correctly, the state of the security system will not change and the interior buzzer does not beep. Perform the procedure again from the beginning.

NOTE:

You can also switch the security system from the enabled state to the disabled state, and vice versa, via the setting mode of the information display. For details on how to use the information display, refer to "Information Display" in this section.

Windows

Manual Window Control (if equipped)



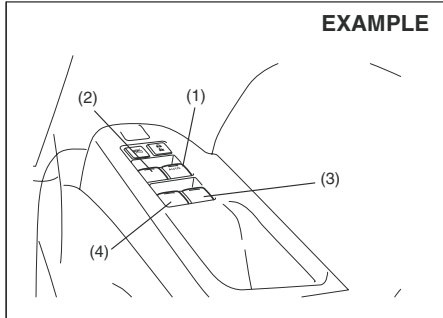
60G010

Raise or lower the door windows by turning the handle located on the door panel.

Electric Window Controls (if equipped)

The electric windows can only be operated when the ignition switch is in the "ON" position.

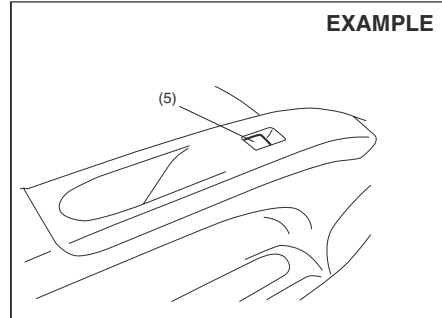
Driver's door



76MH0A022

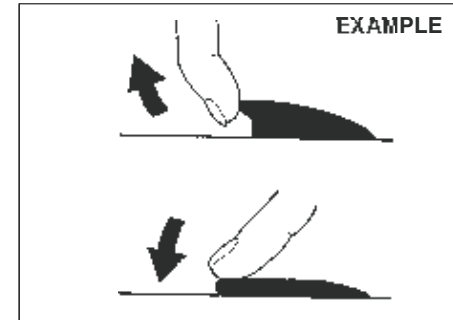
The driver's door has a switch (1) to operate the driver's window, and a switch (2) to operate the front passenger's window or there are switches (4), (3), to operate the rear left and right passenger windows, respectively.

Passenger's door



76MH0A023

The passenger's door has a switch (5) to operate that passenger's window.

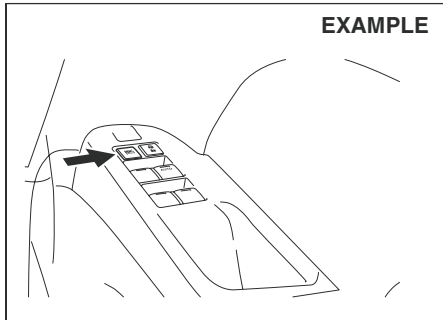


81A009

To open a window, push the top part of the switch and to close the window, lift up the top part of the switch.

The driver's window has an "auto-down" feature for added convenience (at toll booths or drive-through restaurants, for example). This means you can open the window without holding the window switch in the "Down" position. Press the driver's window switch completely down and release it. To stop the window before it reaches the bottom, pull the switch up briefly.

Lock switch



76MH0A024

The driver's door also has a lock switch for the passenger's windows. When you push in the lock switch, the passenger's windows cannot be raised or lowered by operating any of the switches (2), (3), (4) or (5). To restore normal operation, release the lock switch by pushing again.

⚠ WARNING

- You should always lock the passenger's window operation when there are children in the vehicle. Children can be seriously injured if they get part of their body caught by the window during operation.
- To avoid injuring an occupant by window entrapment, be sure no part of the occupant's body such as hands or head is in the path of the electric windows when closing them.
- Always remove the ignition key when leaving the vehicle even if only for a short time. Also do not leave children alone in a parked vehicle. Unattended children could use the electric window switches and get trapped by the window.

NOTE:

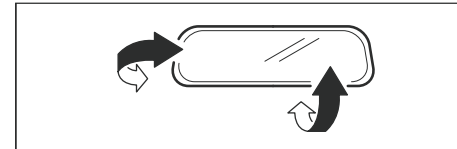
If you drive with one of the rear windows open, you may hear a loud sound caused by air vibration. To reduce the sound, open the driver's or front passenger's window, or narrow the rear window opening.

Mirrors

Inside Rearview Mirror

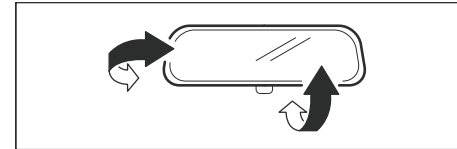
You can adjust the inside rearview mirror by hand so as to see the rear of your vehicle in the mirror.

Type 1

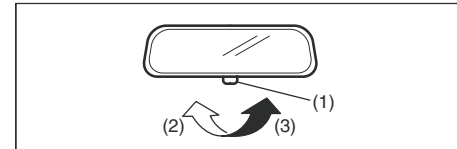


74LHT0235

Type 2



68LMT0205



68LMT0206

- (2) Day driving
- (3) Night driving

To adjust the mirror, set the selector tab (1) to the day position, then move the mirror up, down or sideways by hand to obtain the best view.

When driving at night, you can move the selector tab to the night position to reduce glare from the headlights of vehicles behind you.

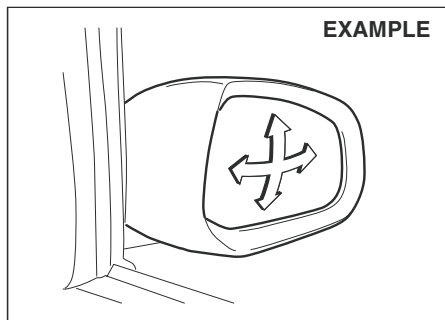
Outside Rearview Mirrors

Adjust the outside rearview mirrors so you can just see the side of your vehicle in the mirrors.

⚠ WARNING

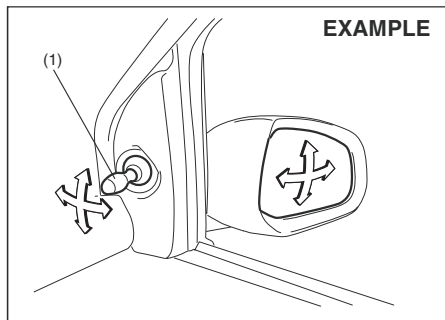
Be careful when judging the size or distance of a vehicle or other object seen in the side convex mirror. Be aware that objects look smaller and appear farther away than when seen in a flat mirror.

Type 1



76MH0A025

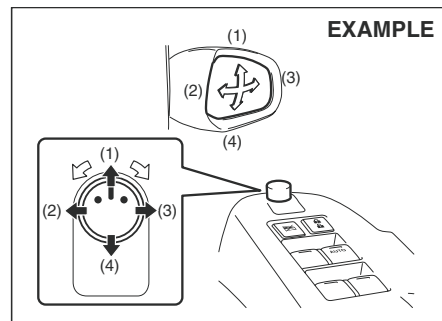
Type 2



MH0-07-014

You can adjust the outside rearview mirrors by hand with the knob (1) located on the driver's or front passenger's door panel.

Electric Mirrors (if equipped)



MH0-07-014

The switch to control the electric mirrors is located on the driver's door panel. You can adjust the mirrors when the ignition switch is in the "ACC" or "ON" position. To adjust the mirrors:

- 1) Move the selector switch to the left or right to select the mirror you wish to adjust.
- 2) Press the outer part of the switch that corresponds to the direction in which you wish to move the mirror.
- 3) Return the selector switch to the center position to help prevent unintended adjustment.

Front Seats

Seat Adjustment

⚠ WARNING

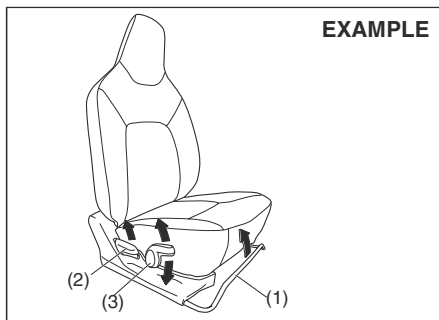
Never attempt to adjust the driver's seat or seatback while driving. The seat or seatback could move unexpectedly, causing loss of control. Make sure that the driver's seat and seatback are properly adjusted before you start driving.

⚠ WARNING

To avoid excessive seat belt slack, which reduces the effectiveness of the seat belts as a safety device, make sure that the seats are adjusted before the seat belts are fastened.

⚠ WARNING

All seatbacks should always be in an upright position when driving, or seat belt effectiveness may be reduced. Seat belts are designed to offer maximum protection when seatbacks are in the upright position.



EXAMPLE

MH0-07-014

Seat position adjustment lever (1)

Pull the lever up and slide the seat.

Seatback angle adjustment lever (2)

Pull the lever up and move the seatback.

Seat height adjustment lever (3) (if equipped)

Pull the lever up to raise the seat. Push the lever down to lower the seat.

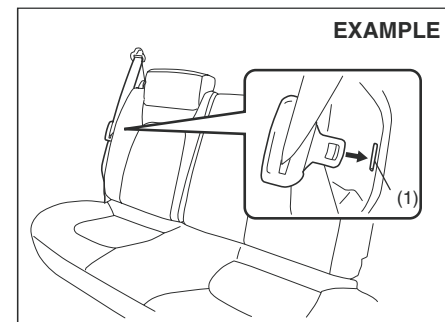
After adjustment, try to move the seat and seatback forward and rearward to ensure that it is securely latched.

Rear Seats

Folding Rear Seats

The rear seat(s) of your vehicle can be folded forward to provide additional cargo space.

To fold the rear seats forward:



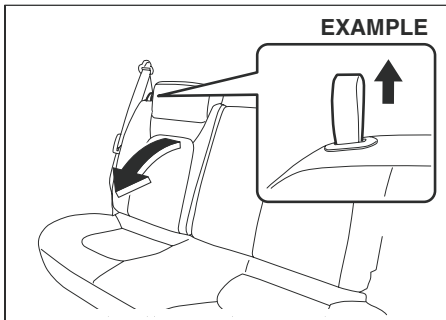
EXAMPLE

MH0-07-014

- 1) Insert the latch plate of the outboard lap-shoulder belts into the slit (1).

NOTICE

- When you move a seatback, make sure the latch plate is inserted into the slit securely so the seat belts are not caught by the seatback, seat hinge, or seat latch. This helps prevent damage to the belt system.
- Make sure the belt webbing is not twisted.

EXAMPLE

MH0-07-014

- 2) Pull up the release straps on the top of the seat(s), and fold the seatback forward.

NOTICE

After folding the rear seatback forward, do not allow any foreign material to enter the lock opening. This may cause damage to the inside of the lock and prevent the seatback from being locked securely.

⚠ WARNING

If you need to carry cargo in the passenger compartment with the rear seat back folded forward, be sure to secure the cargo or it may be thrown about, causing injury. Never pile cargo higher than the seatbacks.

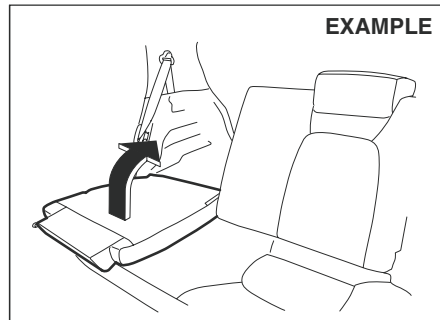
To return the seat to the normal position, follow the procedure below.

⚠ WARNING

When returning the rear seatback to the normal position, make sure that there is nothing around the striker. Any foreign materials prevent the seatback from being locked securely.

⚠ CAUTION

When returning the rear seatback to the normal position, be careful that your finger is not caught between the lock and the striker.

EXAMPLE

MH0-07-014

Raise the seatback until it locks into place.

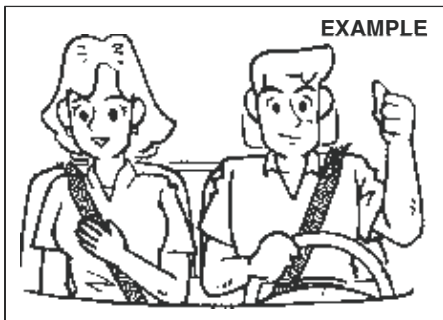
After returning the seat, try moving the seatback to make sure they are securely latched.

⚠ CAUTION

Do not put your hand into the rear seatback lock opening, or your finger may get caught and be injured.

NOTICE

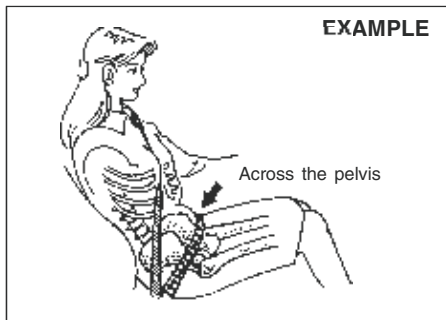
- When returning the rear seatback to the normal position, do not allow any foreign material to enter the lock opening. This may prevent the seatback from being locked securely.
- When returning the rear seatback to the normal position, be sure to handle it carefully by hand to avoid any damage to the lock itself. Do not push it by using some material or by applying excessive force.
- As the lock is designed exclusively for securing the rear seatback, do not use it for any other purpose. Incorrect use of it may cause damage to the inside of the lock and prevent the seatback from being locked securely.

Seat Belts and Child Restraint Systems

MH0-07-014

⚠ WARNING**Wear Your Seat Belts at All Times.****⚠ WARNING**

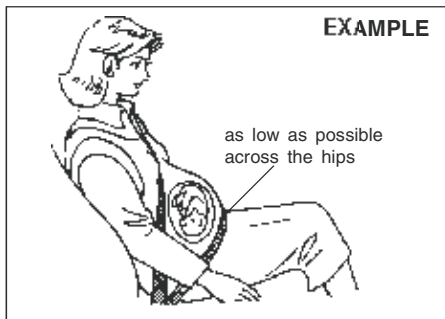
An air bag supplements, or adds to, the frontal crash protection offered by seat belts. The driver and all passengers must be properly restrained by wearing seat belts at all times, whether or not an air bag is mounted at their seating position, to minimize the risk of severe injury or death in the event of a crash.

EXAMPLE

MH0-07-014

⚠ WARNING

- Never allow persons to ride in the cargo area of a vehicle. In the event of an accident, there is a much greater risk of injury for persons who are not riding in a seat with their seat belt securely fastened.
- Seat belts should always be adjusted as follows:
 - the lap portion of the belt should be worn low across the pelvis, not across the waist.
 - the shoulder straps should be worn on the outside shoulder only, and never under the arm.
 - the shoulder straps should be away from your face and neck, but not falling off your shoulder.



MH0-07-014

⚠ WARNING



- Seat belts should never be worn with the straps twisted and should be adjusted as tightly as is comfortable to provide the protection for which they have been designed. A slack belt will provide less protection than one which is snug.
- Make sure that each seat belt buckle is inserted into the proper buckle catch. It is possible to cross the buckles in the rear seat.



⚠ WARNING



- Pregnant women should use seat belts, although specific recommendations about driving should be made by the woman's medical advisor. Remember that the lap portion of the belt should be worn as low as possible across the hips, as shown in the diagram.
- Do not wear your seat belt over hard or breakable objects in your pockets or on your clothing. If an accident occurs, objects such as glasses, pens, etc. under the seat belt can cause injury.
- Never use the same seat belt on more than one occupant and never attach a seat belt over an infant or child being held on an occupant's lap. Such seat belt use could cause serious injury in the event of an accident.
- Periodically inspect seat belt assemblies for excessive wear and damage. Seat belts should be replaced if webbing becomes frayed, contaminated, or damaged in any way. It is essential to replace the entire seat belt assembly after it has been worn in a severe impact, even if damage to the assembly is not obvious.



⚠ WARNING



- Children age 12 and under should ride properly restrained in the rear seat.
- Infants and small children should never be transported unless they are properly restrained. Restraint systems for infants and small children can be purchased locally and should be used. Make sure that the system you purchase meets applicable safety standards. Read and follow all the directions provided by the manufacturer.
- For children, if the shoulder belt irritates the neck or face, move the child closer to the center of the vehicle.
- Avoid contamination of seat belt webbing by polishes, oils, chemicals, and particularly battery acid. Cleaning may safely be carried out using mild soap and water.
- Do not insert any items such as coins, clips, etc. into the seat belt buckles, and be careful not to spill liquids into these parts. If foreign materials get into a seat belt buckle, the seat belt may not work properly.

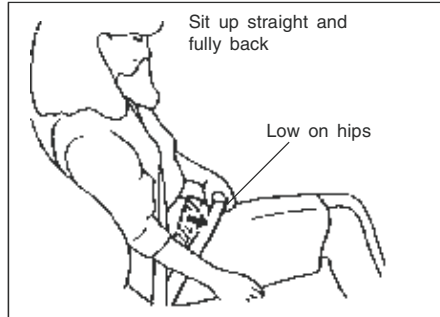


⚠ WARNING

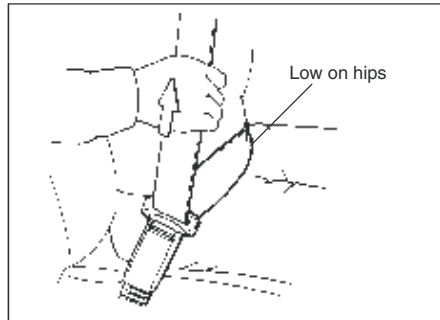
- All seatbacks should always be in an upright position when driving, or seat belt effectiveness may be reduced. Seat belts are designed to offer maximum protection when seatbacks are in the upright position.

Lap-Shoulder Belt Emergency Locking Retractor (ELR)

The seat belt has an emergency locking retractor (ELR), which is designed to lock the seat belt only during a sudden stop or impact. It also may lock if you pull the belt across your body very quickly. If this happens, let the belt go back to unlock it, then pull the belt across your body more slowly.

Safety reminder

MH0-07-014



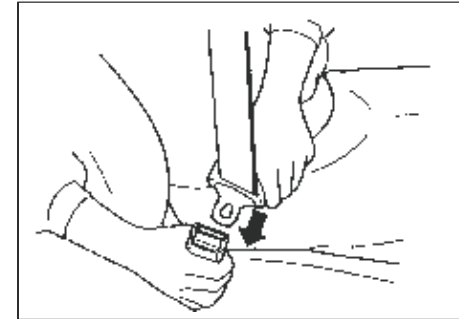
MH0-07-014

To reduce the risk of sliding under the belt during a collision, position the lap portion of the belt across your lap as low on your hips as possible and adjust it to a snug fit by pulling the shoulder portion of the belt

upward through the latch plate. The length of the diagonal shoulder strap adjusts itself to allow freedom of movement.

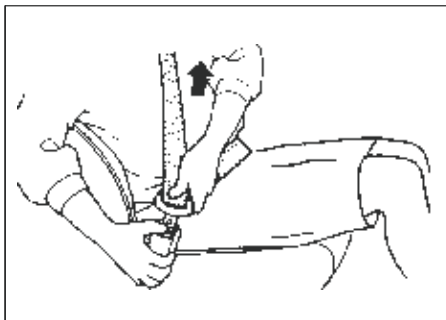
All Seat Belts Except Rear Center

All seat belts except rear center are the lap-shoulder belt.



MH0-07-014

To fasten the seat belt, sit up straight and well back in the seat, pull the latch plate attached to the seat belt across your body and press it straight into the buckle until you hear a "click".



MH0-07-014

To unfasten the seat belt, push the button on the buckle and retract the belt slowly while attaching a hand to the belt or/and the latch plate.

Rear Center Seat Belt

Rear center seat belt is the lap belt. To fasten the belt, pull the latch plate attached to the seat belt across your hips and press it straight into the buckle until you hear a "click". To reduce the risk of sliding under the belt during a collision, position the belt across your lap as low on your hips as possible and adjust it to a snug fit.

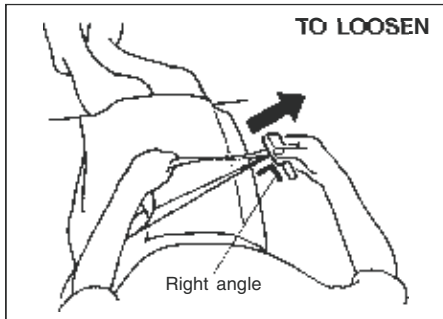
TO TIGHTEN



MH0-07-014

To tighten the belt, pull the free end of the belt across alongside the lap strap.

TO LOOSEN

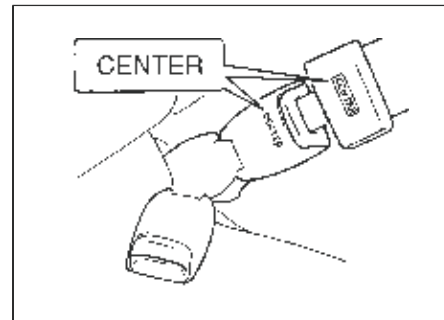


MH0-07-014

To lengthen, release the latch plate from the buckle, pull the latch plate (adjuster) in the direction of the arrow, at right angles to the

belt. The latch plate should then be refitted into the buckle and the belt tightened as previously described.

To unfasten the belt, press the release button on the buckle catch.



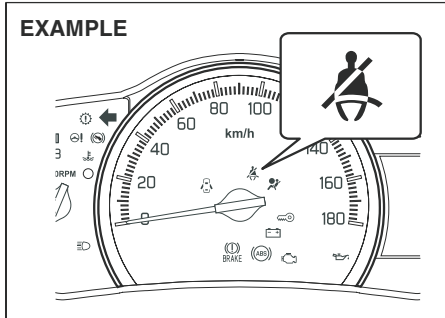
MH0-07-014

NOTE:

To identify the center seat belt buckle and latch plate in the rear seat, "CENTER" is marked on the buckle and latch plate of the center lap belt. The buckles are designed so a latch plate cannot be inserted into the wrong buckle.

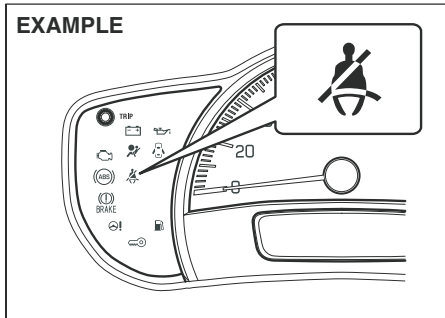
**Driver's Seat Belt Reminder
(if equipped)**

With tachometer



MH0-07-014

Without tachometer



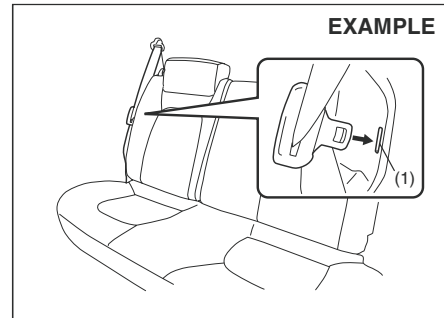
MH0-07-014

When the driver doesn't buckle his or her seat belt with the ignition switch in the "ON" position, the driver's seat belt reminder light in the instrument cluster will blink until the driver's seat belt is buckled.

⚠ WARNING

It is absolutely essential that the driver and passengers wear their seat belts at all times. Persons who are not wearing seat belts have a much greater risk of injury if an accident occurs. Make a regular habit of buckling your seat belt before putting the key in the ignition.

Seat Belt Hanger

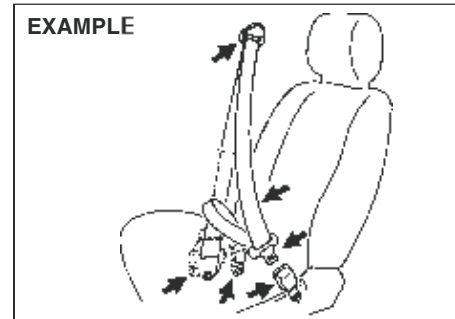


MH0-07-014

NOTICE

- When you move a seatback, make sure the latch plate is inserted into the slit (1) securely so the seat belts are not caught by the seatback, seat hinge, or seat latch. This helps prevent damage to the belt system.
- Make sure the belt webbing is not twisted.

Seat Belt Inspection



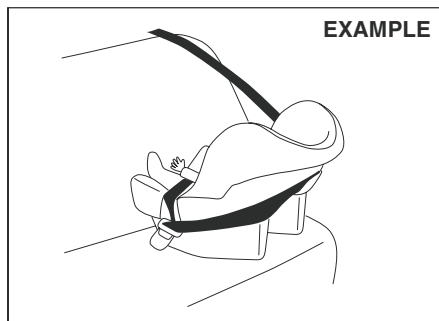
MH0-07-014

Periodically inspect the seat belts to make sure they work properly and are not damaged. Check the webbing, buckles, latch plates, retractors, anchorages, and guide loops. Replace any seat belts which do not work properly or are damaged.

⚠ WARNING

Be sure to inspect all seat belt assemblies after any collision. Any seat belt assembly which was in use during a collision (other than a very minor one) should be replaced, even if damage to the assembly is not obvious. Any seat belt assembly which was not in use during a collision should be replaced if it does not function properly or it is damaged in any way.

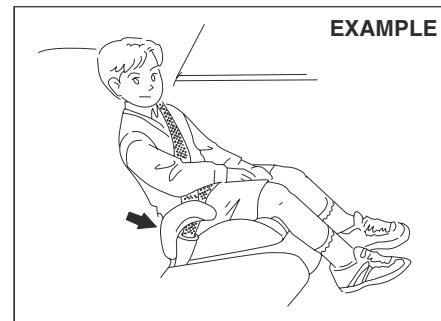
Infant restraint



EXAMPLE

MHO-07-014

Booster seat

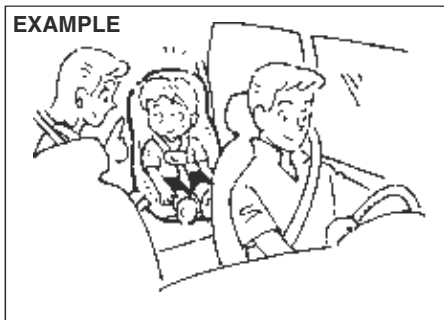


EXAMPLE

MHO-07-014

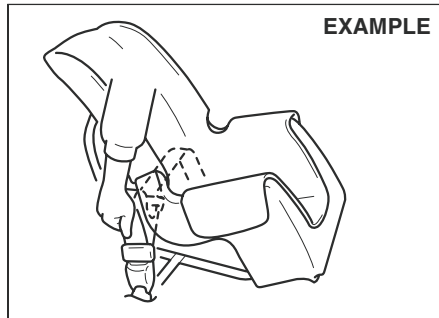
Child Restraint Systems

EXAMPLE



MHO-07-014

Child restraint



EXAMPLE

MHO-07-014

MARUTI SUZUKI highly recommends that you use a child restraint system to restrain infants and small children. Many different types of child restraint systems are available; make sure that the restraint system you select meets applicable safety standards.

All child restraint systems are designed to be secured on vehicle seats by either seat belts (lap belts or the lap portion of lap-shoulder belts). Whenever possible, MARUTI SUZUKI recommends that child restraint systems be installed on the rear seat. According to accident statistics, children are safer when properly restrained in rear seating positions than in front seating positions.

If you must use a front-facing child restraint in the front passenger's seat, adjust the passenger's seat as far back as possible.

NOTE:

Observe any statutory regulation about child restraints.



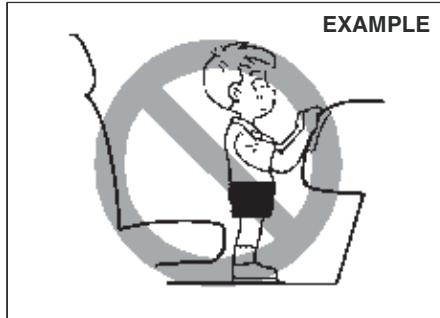
MH0-07-014

⚠ WARNING

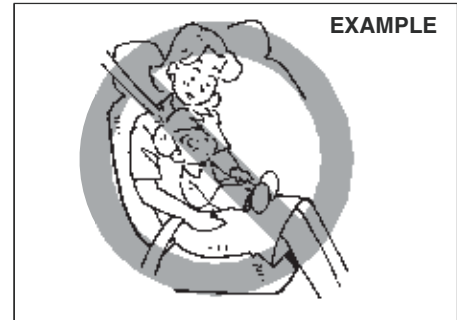
If your vehicle is equipped with a front passenger air bag, do not install a rear-facing child restraint in the front passenger's seat. If the passenger's air bag inflates, a child in a rear-facing child restraint could be killed or seriously injured. The back of a rear-facing child restraint would be too close to the inflating air bag.

⚠ WARNING

If you install a child restraint system in the rear seat, slide the front seat far enough forward so that the child's feet do not touch the front seatback. This will help avoid injury to the child in the event of an accident.



MH0-07-014

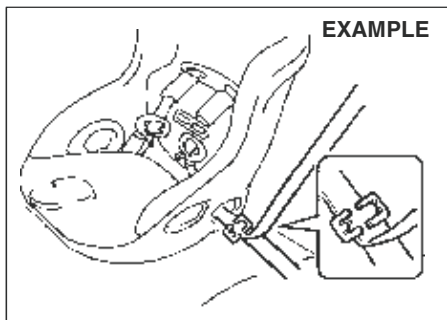


MH0-07-014

⚠ WARNING

Children could be endangered in a crash if their child restraints are not properly secured in the vehicle. When installing a child restraint system, be sure to follow the instructions below. Be sure to secure the child in the restraint system according to the manufacturer's instructions.

Installation with Lap-Shoulder Seat Belts ELR type belt



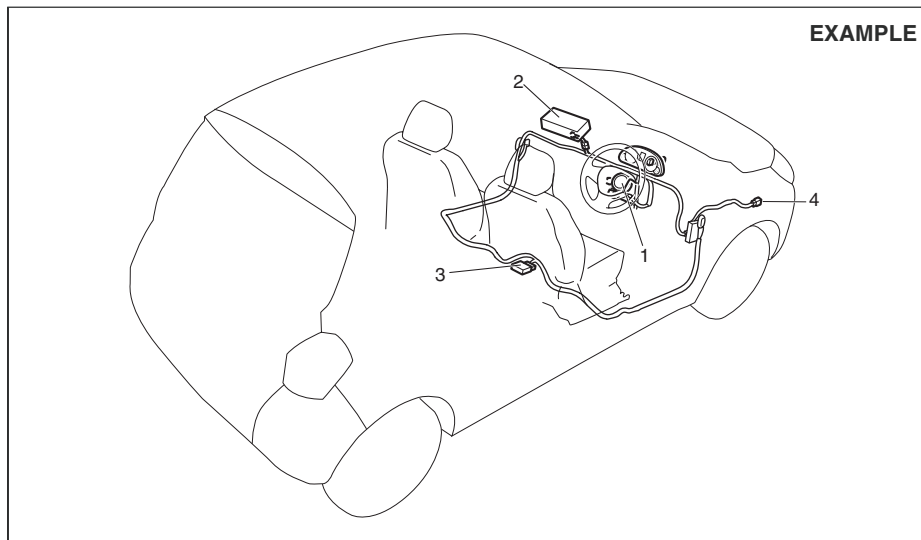
MH0-07-014

Install your child restraint system according to the instructions provided by the child restraint system manufacturer.

Make sure that the seat belt is securely latched.

Try to move the child restraint system in all directions to make sure it is securely installed.

Supplemental Restraint System (air bags) (if equipped)



MH0-07-014

⚠ WARNING

This section of the owner's manual describes the protection provided by your MARUTI SUZUKI's SUPPLEMENTAL RESTRAINT SYSTEM (air bags). Please read and follow ALL these instructions carefully to minimize your risk of severe injury or death in the event of a collision.

Your vehicle is equipped with a Supplemental Restraint System consisting of the following components in addition to a lap-shoulder belt at each front seating position.

- 1) Driver's front air bag module (if equipped)
- 2) Front passenger's front air bag module (if equipped)
- 3) Air bag controller (if equipped)
- 4) Forward crash sensor (if equipped)

⚠ WARNING

An air bag supplements, or adds to, the crash protection offered by seat belts. The driver and all passengers must be properly restrained by wearing seat belts at all times, whether or not an air bag is mounted at their seating position, to minimize the risk of severe injury or death in the event of a crash.

"AIR BAG" light (if equipped)



MH0-07-001

If the "AIR BAG" light on the instrument cluster does not blink or come on when the ignition switch is first turned to the "ON" position, or the "AIR BAG" light stays on, or comes on while driving, the air bag system may not work properly. Have the air bag system inspected by an authorized MARUTI SUZUKI dealer as soon as possible.

Air bag symbol (if equipped) meaning



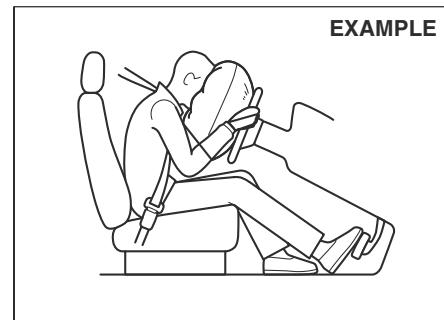
60M-02-076

You may find this label on the sun visor.

⚠ WARNING

NEVER use a rearward facing child restraint on a seat protected by an ACTIVE AIRBAG in front of it, DEATH or SERIOUS INJURY to the CHILD can occur.

Front Air Bags (if equipped)



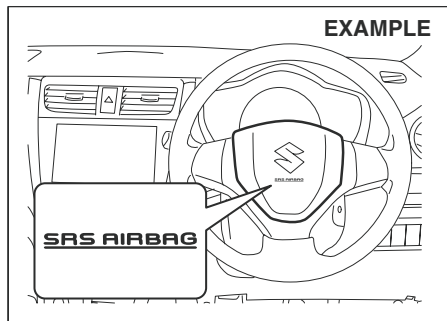
MH0-07-014

Front air bags are designed to inflate in severe frontal collisions when the ignition switch is in the "ON" position.

Front air bags are not designed to inflate in rear impacts, side impacts, rollovers or minor frontal collisions, since they would offer no protection in those types of accidents. Remember, since an air bag deploys only one time during an accident, seat belts are needed to restrain occupants from further movements during the accident.

Therefore, an air bag is NOT a substitute for seat belts. To maximize your protection, ALWAYS WEAR YOUR SEAT BELTS. Be aware that no system can prevent all possible injuries that may occur in an accident.

Driver's front air bag (if equipped)



MH0-07-014

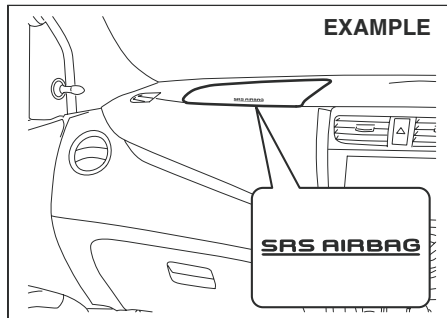
The driver's front air bag is located behind the center pad of the steering wheel and the front passenger's front air bag is located behind the passenger's side of the dashboard.

The words "SRS AIRBAG" are molded into the air bag covers to identify the location of the air bags.



MH0-07-001

Front passenger's front air bag (if equipped)



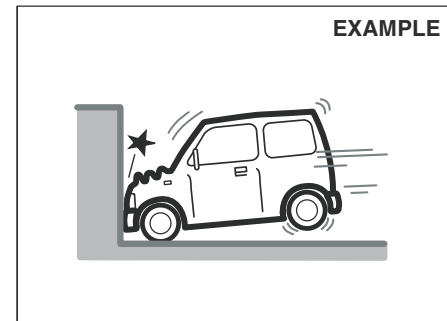
MH0-07-014

⚠ WARNING

Do not install a rear-facing child restraint in the front passenger's seat. If the passenger's front air bag inflates, a child in a rear-facing child restraint could be killed or severely injured. The back of a rear-facing child restraint would be too close to the inflating air bag.

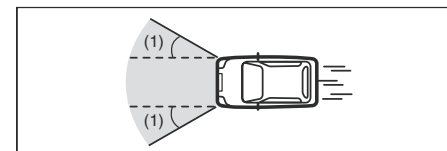
Please refer to the "Seat Belts and Child Restraint Systems" section in this section for details on securing your child.

Conditions of front air bags deployment (inflation)



MH0-07-014

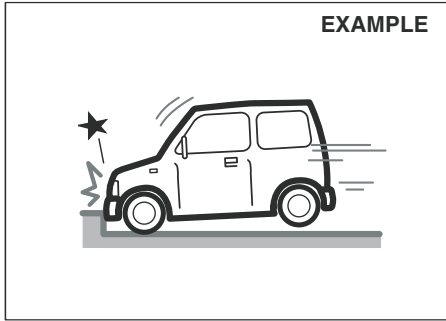
- In frontal collisions with a fixed wall that does not move or deform in more than about 25 km/h (15 mph)



MH0-07-001

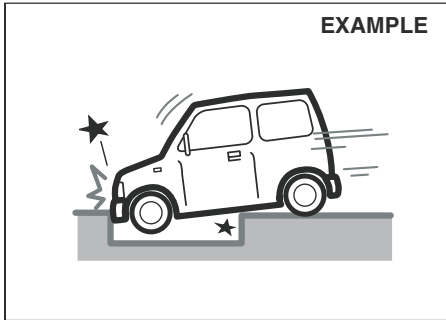
- In collisions such as above at an angle of about 30 degrees (1) or less from the front

Conditions of front air bags may inflate
Receiving a strong impact to the lower body of your vehicle, the front air bags will inflate in many cases.



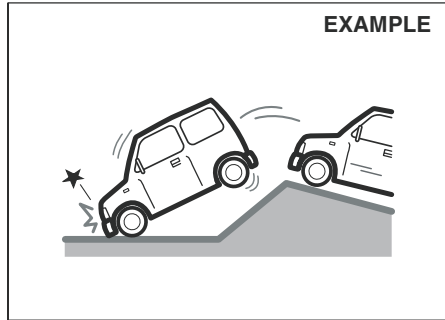
MH0-07-014

- Hitting a curb or medial strip



MH0-07-014

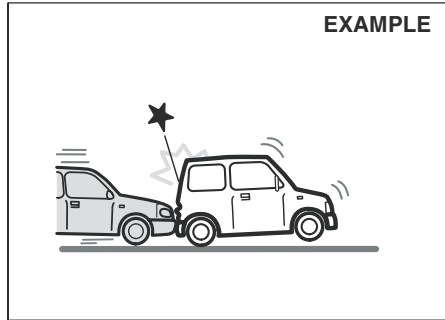
- Falling into a deep hole or ditch



MH0-07-014

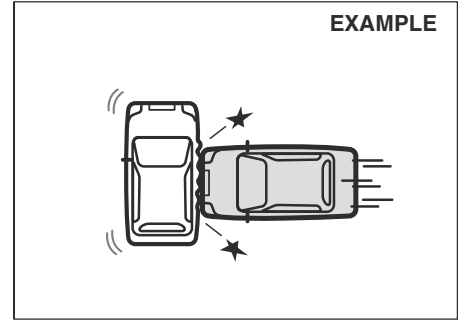
- Landing hard or falling

Front air bags may inflate in a strong impact



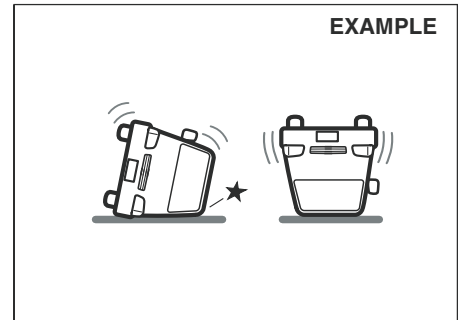
MH0-07-014

- Collision from the rear



MH0-07-014

- Collision from the side

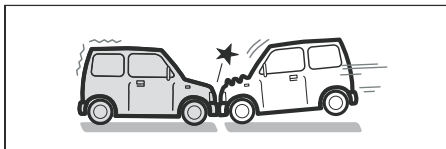


MH0-07-014

- Vehicle rollover

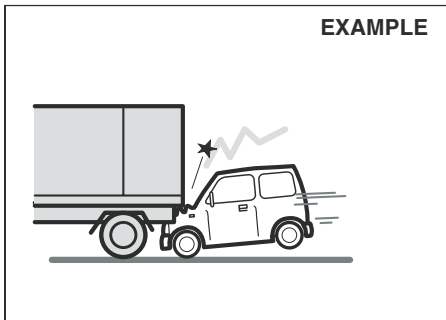
Front air bags may not inflate

The front air bags may not inflate when the impact is absorbed since the collision object moved, vehicle body deformed, or collision angle was greater than about 30 degrees from the front.



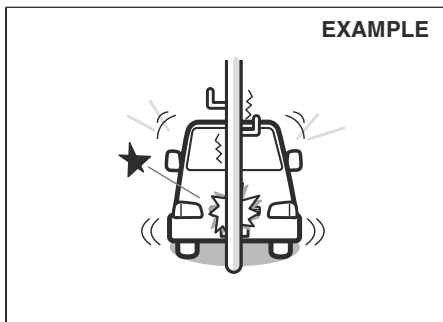
MH0-07-001

- Approximately 50 km/h (30 mph) or lower speed frontal collision to a stopped vehicle



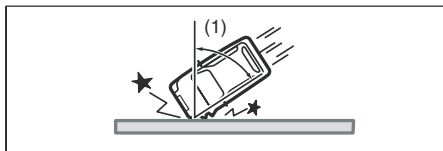
MH0-07-014

- Collision that the front of your vehicle goes under the bed of a truck etc.



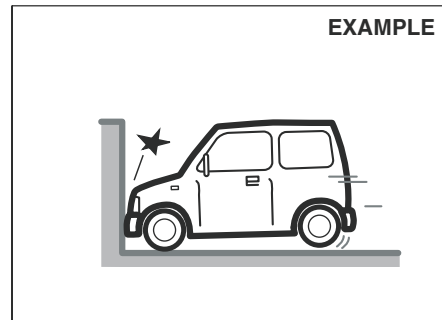
MH0-07-014

- Collision with a utility pole or stumpage



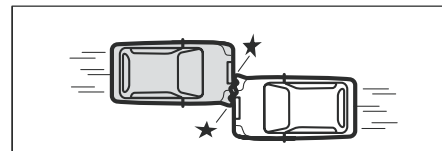
MH0-07-001

- Collision with a fixed wall or guardrail at an angle of greater than about 30 degrees (1) from the front.



MH0-07-014

- In frontal collisions with a fixed wall that does not move or deform in less than about 25 km/h (15 mph)



MH0-07-001

- Collision angle is offset from the vehicle angle (offset collision)

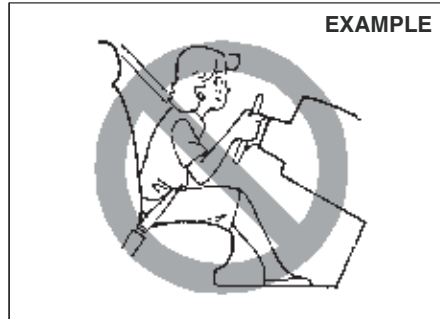
How the system works

In a frontal collision, the crash sensors will detect rapid deceleration, and if the controller judges that the deceleration represents a severe frontal crash, the controller will trigger the inflators. The inflators inflate the air bags with nitrogen or argon gas. The inflated air bags provide a cushion for your head and upper body. The air bag inflates and deflates so quickly that you may not even realize that it has activated. The air bag will neither hinder your view nor make it harder to exit the vehicle.

Air bags must inflate quickly and forcefully in order to reduce the chance of serious or fatal injuries. However, an unavoidable consequence of the quick inflation is that the air bag may irritate bare skin, such as the facial area. Also, upon inflation, a loud noise will occur and some powder and smoke will be released. These conditions are not harmful and do not indicate a fire in the vehicle. Be aware, however, that some air bag components may be hot for a while after inflation.

A seat belt helps keep you in the proper position for maximum protection when an air bag inflates. Adjust your seat as far back as possible while still maintaining control of the vehicle. Sit fully back in your seat; sit

up straight; do not lean over the steering wheel or dashboard. Please refer to the “Front Seat” section and the “Seat Belts and Child Restraint Systems” section in this section for details on proper seat and seat belt adjustments.



MH0-07-014

▲ WARNING

The driver should not lean over the steering wheel. The front passenger should not rest his or her body against the dashboard, or otherwise get too close to the dashboard. In these situations, the out-of-position occupant would be too close to an inflating air bag, and may suffer severe injury.

Do not attach any objects to, or place any objects over, the steering wheel or dashboard. Do not place any objects between the air bag and the driver or front passenger. These objects may interfere with air bag operation or may be propelled by the air bag in the event of a crash. Either of these conditions may cause severe injury.

Note that even though your vehicle may be moderately damaged in a frontal collision, the collision may not have been severe enough to trigger the air bags to inflate. If your vehicle sustains ANY front-end damage, have the air bag system inspected by an authorized MARUTI SUZUKI dealer to ensure it is in proper working order.

Your vehicle is equipped with a diagnostic module which records information about the air bag system if the air bags deploy in a crash. The module records information about overall system status, which sensors activated the deployment, and for a certain vehicle only, whether the driver's seat belt was in use.

Servicing the air bag system

If the air bags inflate, have the air bags and related components replaced by an authorized MARUTI SUZUKI dealer as soon as possible.

If your vehicle ever gets in deep water and the driver's floor is submerged, the air bag controller could be damaged. If it does, have the air bag system inspected by the MARUTI SUZUKI dealer as soon as possible.

Special procedures are required for servicing or replacing an air bag. For that reason, only an authorized MARUTI SUZUKI dealer should be allowed to service or replace your air bags. Please remind anyone who services your MARUTI SUZUKI that it has air bags.

Service on or around air bag components or wiring must be performed only by an authorized MARUTI SUZUKI dealer. Improper service could result in unintended

air bag deployment or could render the air bag inoperative. Either of these two conditions may result in severe injury.

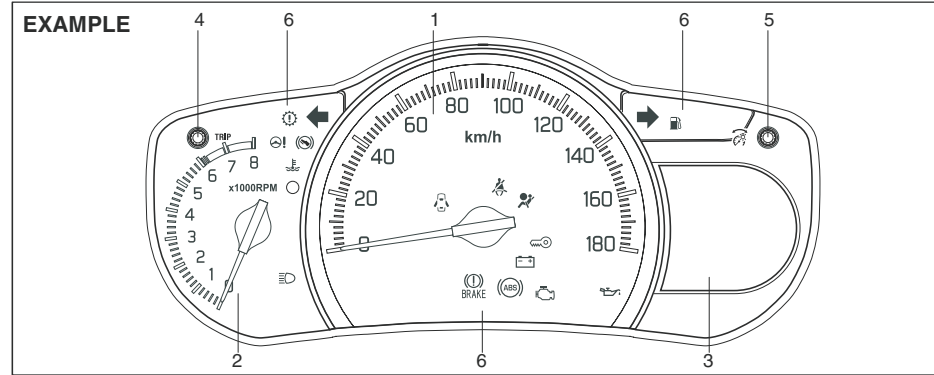
To prevent damage or unintended inflation of the air bag system, be sure the battery is disconnected and the ignition switch has been in the "LOCK" position for at least 90 seconds before performing any electrical service work on your MARUTI SUZUKI. Do not touch air bag system components or wires. The wires are wrapped with yellow tape or yellow tubing, and the couplers are yellow for easy identification.

Scrapping a vehicle that has an uninflated air bag can be hazardous. Ask your dealer, body repair shop or scrap yard for help with disposal.

Instrument Cluster

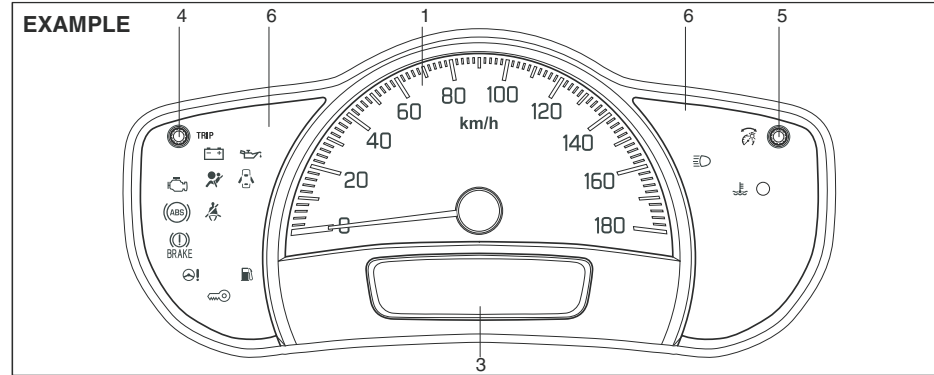
- 1) Speedometer
- 2) Tachometer (if equipped)
- 3) Information display
- 4) Trip meter selector knob
- 5) Indicator selector knob
- 6) Warning and indicator lights

With tachometer



MH0-07-014

Without tachometer



MH0-07-014

Speedometer

The speedometer indicates vehicle speed.

Tachometer (if equipped)

The tachometer indicates engine speed in revolutions per minute.

NOTICE

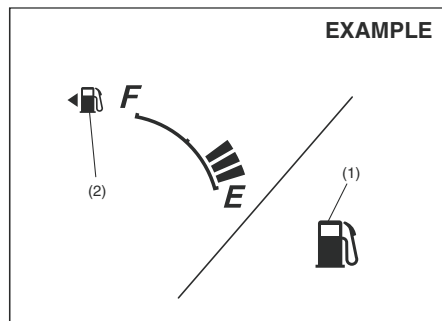
Never drive the vehicle with the engine revving in the red zone, or severe engine damage can result. Keep the engine speed below the red zone even when downshifting to a lower gear position. Refer to “Downshifting maximum allowable speeds” in the “OPERATING YOUR VEHICLE” section.

NOTE:

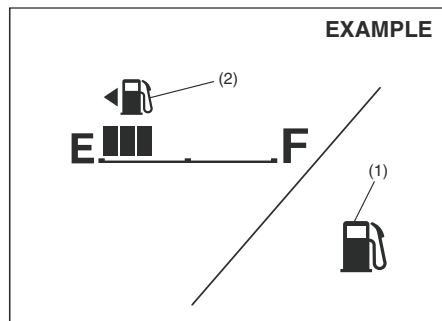
Maximum engine speed is limited at approximately 6400 revolutions per minute by the fuel cut control when you press the accelerator pedal while the gearshift is in “N” (Neutral).

Fuel Gauge

With tachometer



Without tachometer



When the ignition switch is in the “ON” position, this gauge gives an approximate indication of the amount of fuel in the fuel tank. “F” stands for full and “E” stands for empty.

If the fuel meter indicator shows only one segment to “E”, refill the tank as soon as possible.

NOTE:

If the last segment blinks, it means that the fuel is almost empty.

If the low fuel warning light (1) comes on, fill the fuel tank immediately.

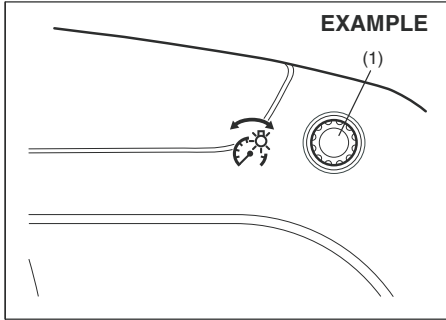
NOTE:

The activation point of the low fuel warning light (1) varies depending on road conditions (for example, slope or curve) and driving conditions because of fuel moving in the tank.

Refer to “Low Fuel Warning Light” in “Warning and Indicator Lights” in this section for details.

The mark (2) indicates that the fuel filler door is located on the left side of the vehicle.

Brightness Control



MH0-07-014

When the ignition switch is turned to the "ON" position, the pointer lights come on. Your vehicle has a system to automatically dim the brightness of the instrument panel lights when the position lights or headlights are on.

When the position lights and/or headlights are ON, you can control the meter illumination intensity.

To increase the brightness of the instrument panel lights, turn the brightness control knob (1) clockwise.

To reduce the brightness of the instrument panel lights, turn the brightness control knob (1) counterclockwise.

⚠ WARNING

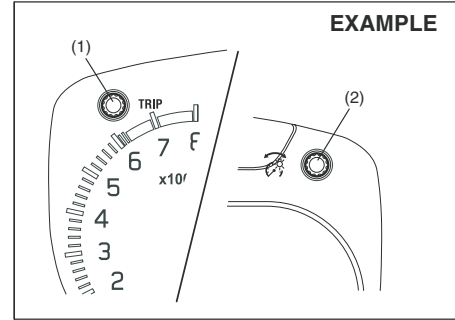
If you attempt to adjust the display while driving, you could lose control of the vehicle.

Do not attempt to adjust the display while driving.

NOTE:

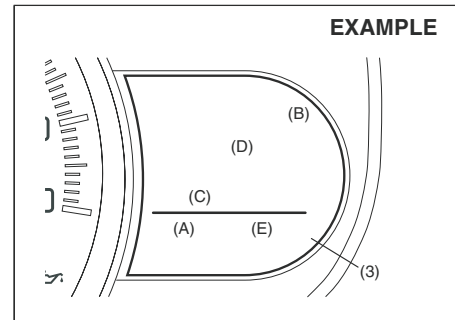
- If you do not turn the brightness control knob within about 5 seconds of activating the brightness control display, the brightness control display will be canceled automatically.
- When you reconnect the battery, the brightness of the instrument panel lights will be reinitialized. Readjust the brightness according to your preference.

Information Display

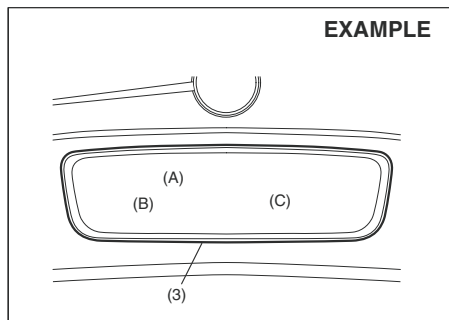


MH0-07-014

with tachometer



MH0-07-014

without tachometer

MH0-07-014

- 1) Trip meter selector knob
- 2) Indicator selector knob
- 3) Information display

When the ignition switch is in the “ON” position, the information display shows the following information.

Display (A)

Clock

Display (B)

Fuel gauge

Display (C)

Trip meter / Odometer / Fuel consumption / Driving range

Display (D)

Gear position indicator (for automated manual transaxle models)

Display (E)

Thermometer (if equipped)

Clock

When the ignition switch is in the “ON” position, the display (A) shows the time.

To change the time indication:

- 1) Push the trip meter selector knob (1) and the indicator selector knob (2) together.
- 2) To change the hour indication, turn the indicator selector knob (2) left or right repeatedly when the hour indication blinks. To change the hour indication quickly, turn and hold the indicator selector knob (2). To set the hour indication, push the indicator selector knob (2) and the minute indication will blink.
- 3) To change the minute indication, turn the indicator selector knob (2) left or right repeatedly when the minute indication blinks. To change the minute indication quickly, turn and hold the indicator selector knob (2). To set the minute indication, push the indicator selector knob (2).

NOTE:

When you reconnect the negative (-) terminal to the battery, the clock indication will be reinitialized. Change the indication again to your preference.

Fuel Gauge

When the ignition switch is in the “ON” position, the display (B) shows the fuel gauge.

Refer to “Fuel Gauge” in this section.

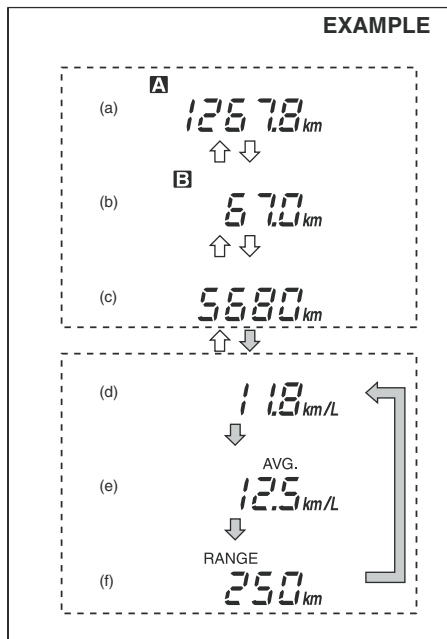
Trip meter / Odometer / Fuel consumption / Driving range

When the ignition switch is in the “ON” position, the display (C) shows one of the following indications, trip meter A, trip meter B, odometer, instantaneous fuel consumption, average fuel consumption or driving range.

To switch the display indication (C), push the trip meter selector knob (1) or the indicator selector knob (2) quickly.

▲ WARNING

**If you attempt to adjust the display while driving, you could lose control of the vehicle.
Do not attempt to adjust the display while driving.**



MH0-07-014

- (a) Trip meter A
- (b) Trip meter B
- (c) Odometer
- (d) Instantaneous fuel consumption
- (e) Average fuel consumption
- (f) Driving range

⚠ WARNING

If you attempt to adjust the display while driving, you could lose control of the vehicle.

Do not attempt to adjust the display while driving.

- NOTE:*
- Indications will change when you push and release a knob.
 - The display shows estimated values. Indications may not be the same as actual values.

Trip meter

The trip meter can be used to measure the distance traveled on short trips or between fuel stops.

You can use the trip meter A or trip meter B independently.

To reset the trip meter to zero, push and hold the trip meter selector knob (1) for a while when the display shows the trip meter.

NOTE:

The indicated maximum value of the trip meter is 9999.9. When you run past the maximum value, the indicated value will return to 0.0.

Odometer

The odometer records the total distance the vehicle has been driven.

NOTICE



Keep track of your odometer reading and check the maintenance schedule regularly for required services. Increased wear or damage to certain parts can result from failure to perform required services at the proper mileage intervals.

Instantaneous Fuel Consumption

The display shows the value of instantaneous fuel consumption only when the vehicle is moving.

NOTE:

- The display does not show the value unless the vehicle is moving.
- The indicated maximum value of instantaneous fuel consumption is 30. No more than 30 will be indicated on the display even if the actual instantaneous fuel consumption is higher.

	Push the trip meter selector knob (1).
	Push the indicator selector knob (2).

- The indication on the display may be delayed if fuel consumption is greatly affected by driving conditions.
- The display shows estimated values. Indications may not be the same as actual values.
- You can change the units that instantaneous fuel consumption is displayed in. Refer to “Average fuel consumption” in this section.

Average fuel consumption

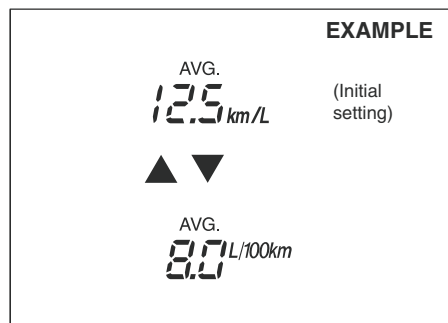
If you selected average fuel consumption the last time you drove the vehicle, the display shows the last value of average fuel consumption from previous driving when the ignition switch is turned to the “ON” position. Unless you reset the value of average fuel consumption, the display indicates the value of average fuel consumption which includes average fuel consumption during previous driving.

To reset the average fuel consumption to zero, push and hold the indicator selector knob (2) for a while when the display shows the average fuel consumption.

NOTE:

When you reset the indication or reconnect the negative (–) terminal to the battery, the value of average fuel consumption will be shown after driving for a while.

To change the unit of average fuel consumption, while pushing and holding the trip meter selector knob (1), turn the indicator selector knob (2).



MH0-07-014

NOTE:

- When you change the units that average fuel consumption is displayed in, the instantaneous fuel consumption units will be changed automatically.
- When you reconnect the negative (–) terminal to the battery, the unit of the average fuel consumption will be reinitialized. Change the unit again to your preference.

Driving range

If you selected driving range the last time you drove the vehicle, the display indicates “—” for a few seconds and then indicates

the current driving range when the ignition switch is turned to the “ON” position.

The driving range shown in the display is the approximate distance you can drive until the fuel gauge indicates “E”, based on current driving conditions.

When the low fuel warning light comes on, the display “—” will appear.

If the low fuel warning light comes on, fill the fuel tank immediately regardless of the value of driving range shown in the display.

As the driving range after refueling is calculated based on the most recent driving condition, the value is different each time you refuel.

NOTE:

- If you refuel when the ignition switch is in the “ON” position, the driving range may not indicate the correct value.
- When you reconnect the negative (–) terminal to the battery, the value of driving range will be shown after driving for a while.

Gear position indicator (for automated manual transaxle vehicles)

EXAMPLE



MH0-07-001

When the ignition switch is in the “ON” position, the display (D) indicates the gear position.

For details on how to use the transaxle, refer to “Using the Transaxle” in the “OPERATING YOUR VEHICLE” section.

Thermometer (if equipped)

When the ignition switch is in the “ON” position, the display (E) shows the thermometer.

The thermometer indicates the outside temperature.

EXAMPLE



MH0-07-001

If the outside temperature nears freezing, the mark (g) will appear on the display

NOTE:

- The outside temperature indication is not the actual outside temperature when driving at low speed, or when stopped.
- If there is something wrong with the thermometer, or just after the ignition switch is turned to the “ON” position, the display may not indicate the outside temperature.

When the display (C) shows the driving range, you can change the unit of temperature.

To change the unit of temperature, while pushing and holding the trip meter selector knob (1), turn the indicator selector knob (2).

NOTE:

When you reconnect the negative (-) terminal to the battery, the unit of temperature will be reinitialized. Change the unit again to your preference.

EXAMPLE






MH0-07-014

Setting Mode

In the setting mode, you can set up the following functions.

Indication	Functions
<p>tEnP</p>	Temperature unit "tE"
<p>CLoCK</p>	Time indication of clock "CL"
<p>door</p>	<p>d1</p> <p>d2</p> <p>d3</p> <p>d5</p>
	Central door locking system "d1"
	Automatic door locking function "d2"
	Automatic door unlocking function "d3"
	Door locking and unlocking siren "d5"

Indication		Functions		
 <i>SECUR4</i>	→	<i>S1</i>	Security system "S1"	
		↕	<i>S2</i>	Shock sensor "S2"
		↕	<i>S3</i>	Pre-warning sensitivity of the shock sensor "S3"
		↕	<i>S4</i>	Full blast warning sensitivity of the shock sensor "S4"
<i>L1 Ght</i>	→	<i>L2</i>	Additional flashes of the turn signal "L2"	
<i>DEFAULT</i>	→	<i>de-on</i>	Initialization setting "de-on"	
<i>End</i>			Exit the setting mode "End"	

	Turn the indicator selector knob (2).
	Push the indicator selector knob (2).

NOTE:

Depending on vehicle's specifications, some items may not be displayed.

How to operate the setting mode:

- 1) When the ignition switch is in the "ON" position and the vehicle is stationary, push the trip meter selector knob (1) to switch the information display indication (C) to the odometer.
- 2) Push and hold the indicator selector knob (2) until the display shows "CLoCK".
- 3) Turn and/or push the indicator selector knob (2) to select a function that you want to set up according to the above chart.
- 4) Turn and/or push the indicator selector knob (2) to register settings of the following functions.

Temperature unit "tE"

- tE-CEL: °C setting (default setting)
- tE-FAh: °F setting

Time indication of clock "CL"

- CL-12h: 12-hour format (default setting)
- CL-24h: 24-hour format

Central door locking system "d1"

- d1-SL1: Unlock all doors by turning the key or pushing the keyless entry system transmitter once
- d1-SL2: Unlock all doors by turning the key or pushing the keyless entry system transmitter twice (default setting)

Automatic door locking function "d2"

- d2-SL1: Disable the automatic door locking function
- d2-SL2: Lock all doors when the vehicle speed reaches 15 km/h (default setting)

Automatic door unlocking function "d3"

- d3-SL1: Disable the automatic door unlocking function
- d3-SL3: Unlock all doors when the key is pulled out from the ignition switch (default setting)

Door locking and unlocking siren "d5"

- d5-SL1: Siren sounds when the door(s) is(are) locked or unlocked by using the keyless entry system transmitter (default setting)
- d5-SL2: Siren does not sound when the door(s) is(are) locked or unlocked by using the keyless entry system transmitter

Security system "S1"

- S1-SL1: Enable the security system (default setting)
- S1-SL2: Disable the security system

Shock sensor "S2"

- S2-SL1: Enable the shock sensor
- S2-SL2: Disable the shock sensor (default setting)

Pre-warning sensitivity of the shock sensor "S3"

- S3-L00: Disable the pre-warning
- S3-L01 to L15:

Adjust the pre-warning sensitivity of shock sensor (Lowest sensitivity level is L01 and highest is L15, and default setting is L14)

Full blast warning sensitivity of the shock sensor “S4”

- S4-L00: Disable the full blast warning
- S4-L01 to L15:

Adjust the full blast warning sensitivity of shock sensor (Lowest sensitivity level is L01 and highest is L15, and default setting is L09)

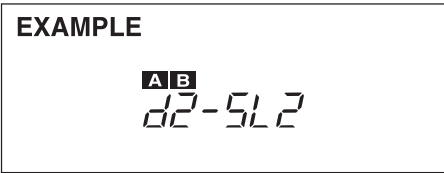
Additional flashes of the turn signal “L2”

- L2-SL1: Turn signal flashes three times after the turn signal lever is returned (default setting)
- L2-SL2: Disable the additional flashes of turn signal

Initialization setting “de-on”

- de-on: Initialize all settings

EXAMPLE



76MH0017

NOTE:

- As shown in the above illustration, “**A B**” indicates on the display of currently setting item.
 - To go back to the higher level display during operation, turn the indicator selector knob (2) to display “bACK” or “-bAC” and then push the indicator selector knob (2).
 - If the security system “S1” is in the disabled state, the shock sensor “S2”, pre-warning sensitivity “S3” and full blast warning sensitivity “S4” cannot be set up.
- 5) To exit the setting mode, switch the display to show “End” and then push the indicator selector knob (2).

Warning and Indicator Lights

Brake System Warning Light



MH0-07-001

Three different types of operations exist depending on the vehicle's specification.

- 1) The light comes on briefly when the ignition switch is turned to the “ON” position.
- 2) The light comes on when the parking brake is engaged with the ignition switch in the “ON” position.
- 3) The light comes on when under either or both of above two conditions.

The light also comes on when the fluid in the brake fluid reservoir falls below the specified level.

The light should go out after starting the engine and fully releasing the parking brake, if the fluid level in the brake fluid reservoir is adequate.

The light also comes on together with the ABS warning light when the rear brake force control function (proportioning valve function) of the ABS system fails.

If the brake system warning light comes on while you are driving the vehicle, it may mean that there is something wrong with the vehicle's brake system. If this happens, you should:

- 1) Pull off the road and stop carefully.

⚠ WARNING

Remember that stopping distance may be longer, you may have to push harder on the pedal, and the pedal may go down farther than normal.

- 2) Test the brakes by carefully starting and stopping on the shoulder of the road.
 - If you determine that it is safe, drive carefully at low speed to the nearest dealer for repairs, or
 - Have the vehicle towed to the nearest dealer for repairs.

⚠ WARNING

If any of the following conditions occur, you should immediately ask your MARUTI SUZUKI dealer to inspect the brake system.

- If the brake system warning light does not go out after the engine has been started and the parking brake has been fully released.
- If the brake system warning light does not come on when the ignition switch is turned to the "ON" position.
- If the brake system warning light comes on at any time during vehicle operation.

NOTE:

Because the brake system is self-adjusting, the fluid level will drop as the brake pads become worn. Replenishing the brake fluid reservoir is considered normal periodic maintenance.

NOTE:

(Parking Brake Reminder Buzzer) (if equipped)

A buzzer sounds intermittently to remind you to release the parking brake if you drive the vehicle without releasing the parking brake. Make sure that the parking brake is fully released and the brake system warning light turns off.

Seat Belt Warning Light (if equipped)



MH0-07-001

This light blinks as a reminder until the driver's seat belt is buckled. For details about the seat belt reminder, refer to "Seat Belts and Child Restraint Systems" in this section.

AIR BAG" Light (if equipped)



MH0-07-001

This light blinks or comes on for several seconds when the ignition switch is turned to the "ON" position so you can check if the light is working.

The light will come on and stay on if there is a problem in the air bag system.

▲ WARNING

If the “AIR BAG” light does not blink or come on briefly when the ignition switch is turned to the “ON” position, stays on for more than 10 seconds, or comes on while driving, the air bag system may not work properly. Have the air bag systems inspected by an authorized MARUTI SUZUKI dealer.

Anti-Lock Brake System (ABS) Warning Light (if equipped)



MH0-07-001

When the ignition switch is turned to the “ON” position, the light comes on briefly so you can check that the light is working. If the light stays on, or comes on when driving, there may be something wrong with the ABS.

If this happens:

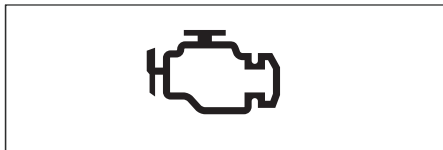
- 1) Pull off the road and stop carefully.
- 2) Turn the ignition switch to “LOCK” and then start the engine again.

If the warning light comes on briefly then turns off, the system is normal. If the warning light still stays on, there is something wrong in the system.

If the light and the brake system warning light stay on, or come on simultaneously when driving, your ABS system is equipped with the rear brake force control function (proportioning valve function) and there may be something wrong with both the rear brake force control function and anti-lock function of the ABS system.

If one of these happens, have the system inspected by your MARUTI SUZUKI dealer. If the ABS becomes inoperative, the brake system will function as an ordinary brake system that does not have this ABS system.

Malfunction Indicator Light



MH0-07-001

Your vehicle has a computer-controlled emission control system. A malfunction indicator light is provided on the instrument panel to indicate when it is necessary to

have the emission control system serviced. The malfunction indicator light comes on when the ignition switch is turned to “ON” position to let you know the light is working and goes out when the engine is started.

If the malfunction indicator light comes on or blinks when the engine is running, there is a damage with the emission control system. Bring the vehicle to your MARUTI SUZUKI dealer to have the damage fixed.

Also, if the light comes on, there may be something wrong with the automated manual transaxle system. Have the system inspected by an authorized MARUTI SUZUKI dealer.

NOTICE

Continuing to drive the vehicle when the malfunction indicator light is on or blinks can cause permanent damage to the vehicle's emission control system, and can affect fuel economy and driveability.

Transaxle Warning Light (if equipped)



MH0-07-001

This light comes on for several seconds when the ignition switch is turned to the "ON" position so you can check the light is working.

If this light comes on when the engine is running, there is a problem with the automated manual transaxle system. Ask your MARUTI SUZUKI dealer to have the system inspected.

NOTE:

If the automated manual transaxle system temperature becomes too high, this light will blink. Stop the vehicle in a safe place and let the system cool down.

Electric Power Steering Light



MH0-07-001

This light comes on when the ignition switch is turned to the "ON" position, and goes out when the engine is started.

If this light comes on while driving, the power steering system may not work properly. Have the system inspected by your MARUTI SUZUKI dealer.

NOTE:

Following operations of the steering wheel while parking or driving at a very low-speed may have steering effort bigger gradually. This is not a malfunction of the steering system, but the power steering control system limits the power assist in order to prevent them from overheating.

- *The steering wheel is operated very often.*
- *The steering wheel is kept in a fully turned position for a long while.*

When the power steering control system cool down, the power steering system back to the original condition.

However, repeating these operations could cause the power steering system damaged.

NOTE:

If the power steering system does not work properly, you will feel heavier to steer but you still will be able to steer.

NOTE:

If the steering is operated, you may hear a rubbing noise. This is normal and indi-

cates that the power steering system works properly.

Oil Pressure Light



MH0-07-001

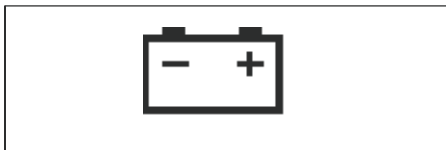
This light comes on when the ignition switch is turned to the "ON" position, and goes out when the engine is started. The light will come on and remain on if there is insufficient oil pressure. If the light comes on when driving, pull off the road as soon as you can and stop the engine.

Check the oil level and add oil if necessary. If there is enough oil, the lubrication system should be inspected by your MARUTI SUZUKI dealer before you drive the vehicle again.

NOTICE

- **If you operate the engine with this light on, severe engine damage can result.**
- **Do not rely on the Oil Pressure Light to indicate the need to add oil. Be sure to periodically check the engine oil level.**

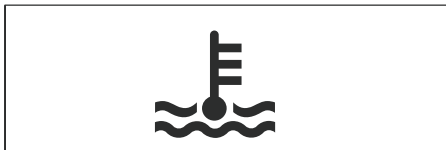
Charging Light



MH0-07-001

This light comes on when the ignition switch is turned to the "ON" position, and goes out when the engine is started. The light will come on and remain on if there is something wrong with the battery charging system. If the light comes on when the engine is running, the charging system should be inspected immediately by your MARUTI SUZUKI dealer.

High Engine Coolant Temperature Warning Light (red color)



MH0-07-001

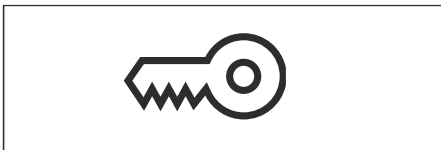
When the ignition switch is turned to the "ON" position, this light comes on briefly so you can check that the light is working. If this light blinks while driving, it means the

engine is running hot. Avoid driving conditions that may lead to actual overheating. If the light stays on without blinking, then the engine is overheating. Follow the instructions in the "If the Engine Overheats" of "EMERGENCY SERVICE" section.

NOTICE

Continuing to drive the vehicle when engine overheating is indicated can result in severe engine damage.

Immobilizer System Light



MH0-07-001

When the ignition switch is turned to the "ON" position, this light comes on briefly so you can check that the light is working. If this light blinks with the ignition switch is turned to the "ON", the engine will not start.

NOTE:

If this light blinks, turn the ignition switch to the "LOCK" position, then turn it back to the "ON" position.

If the light still blinks with the ignition switch turned to the "ON" position, there may be

something wrong with your key or with the immobilizer system. Ask your MARUTI SUZUKI dealer to inspect the system.

Open Door Warning Light



MH0-07-001

This light remains on until all doors (including the tailgate) are completely closed.

If any door (including the tailgate) is open when the vehicle is moving, a ding sounds to remind you to close all doors completely.

Low Fuel Warning Light



MH0-07-001

If this light comes on, fill the fuel tank immediately.

When this light comes on, a ding sounds once to remind you to fill the fuel.

If you do not fill the fuel, a ding sounds every time when the ignition switch is turned

to the “ON” position.

NOTE:

The activation point of this light varies depending on road conditions (for example, slope or curve) and driving conditions because of fuel moving in the tank.

Turn Signal Indicators



MH0-07-001

When you turn on the left or right turn signals, the corresponding green arrow on the instrument panel will flash along with the respective turn signal lights. When you turn on the hazard warning switch, both arrows will blink along with all of the turn signal lights.

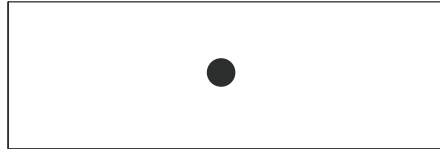
Main Beam (high beam) Indicator Light



MH0-07-001

This indicator comes on when headlight main beams (high beams) are turned on.

Security System Indicator (if equipped)



MH0-07-001

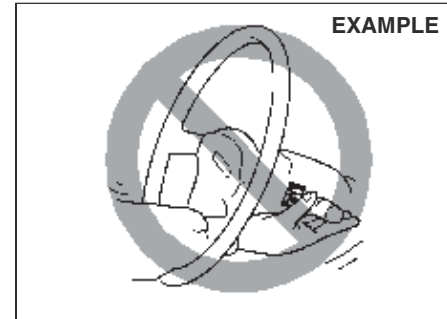
Depress Brake Pedal Indicator (if equipped)



MH0-07-001

Refer to “Automated Manual Transaxle” in the “OPERATING YOUR VEHICLE” section for details.

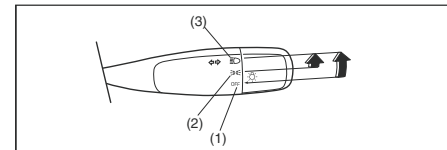
Lighting Control Lever



MH0-07-014

⚠ WARNING
To avoid possible injury, do not operate controls by reaching through the steering wheel.

Lighting Operation



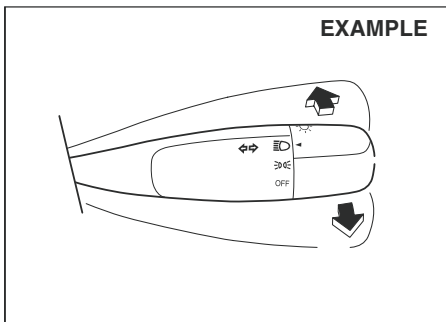
MH0-07-001

To turn the lights on or off, twist the knob on the end of the lever. There are three positions:

OFF (1)
All lights are off.

☞ (2)
Front position lights, tail lights, license plate light and instrument lights are on, but headlights are off.

☞ (3)
Front position lights, tail lights, license plate light, instrument lights and headlights are on.



MH0-07-014

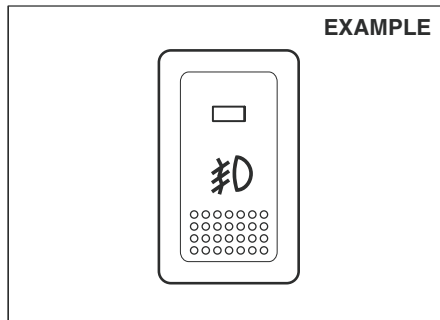
With the headlights on, push the lever forward to switch to the high beams (main beams) or pull the lever toward you to switch to the low beams. When the high beams (main beams) are on, a light on the instrument panel will come on. To momentarily activate the high beams (main beams) as a passing signal, pull the lever

slightly toward you and release it when you have completed the signal.

Lights “On” reminder (if equipped)

A buzzer/chime sounds to remind you to turn off the lights if they are left on when the ignition key is removed and the driver’s door is opened.

Front Fog Light Switch (if equipped)

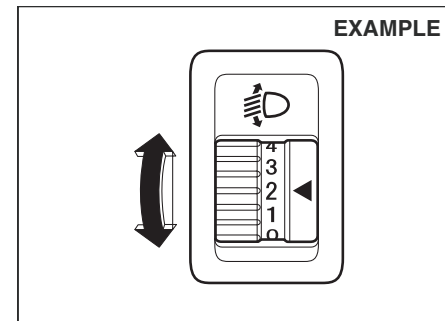


MH0-07-014

The front fog light comes on when the fog light switch is pushed in with the position lights, tail lights and/or the headlights are on. An indicator light above the switch will be lit when the front fog light is on.

NOTE:
In some countries the lighting operation may be different from the above description according to local regulations.

Headlight Leveling Switch

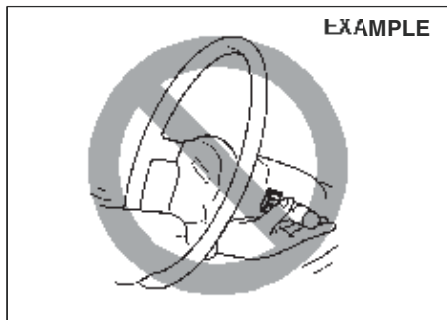


MH0-07-014

Level the headlight beam according to the load condition of your vehicle by turning this switch. The chart below shows the appropriate switch position for different vehicle-load conditions.

Vehicle Load Condition	Switch Position
Driver only	0
Driver + 1 passenger (in front seat)	0
Driver + 4 passengers, no cargo	1
Driver + 4 passengers, cargo added	2
Driver + full cargo	3

Turn Signal Control Lever



MH0-07-014

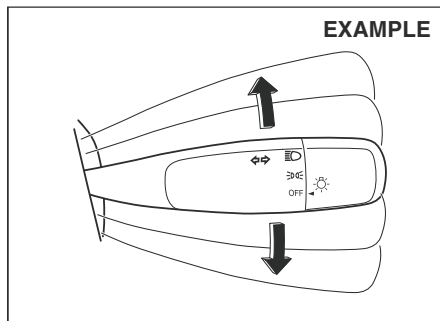
⚠ WARNING

To avoid possible injury, do not operate controls by reaching through the steering wheel.

Turn Signal Operation

With the ignition switch in the "ON" position, move the lever up or down to activate the left or right turn signals.

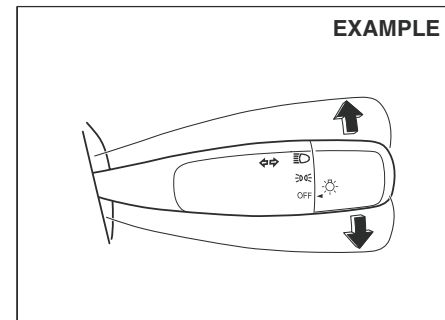
Normal turn signal



MH0-07-014

Move the lever all the way upward or downward to signal. When the turn is completed, the signal will cancel and the lever will return to its normal position.

Lane change signal



MH0-07-014

Sometimes, such as when changing lanes, the steering wheel is not turned far enough to cancel the turn signal. For convenience, you can flash the turn signal by moving the lever part way and holding it there. The lever will return to its normal position when you release it.

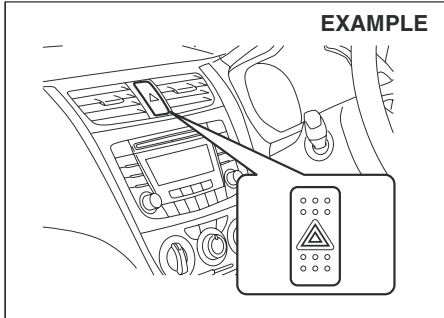
NOTE:

The turn signal and its indicator flash three times even if you return the lever immediately after moving it.

NOTE:

The turn signal and its indicator can be set whether they flash three times after the turn signal lever is returned via the information display. Refer to "Information Display" in this section.

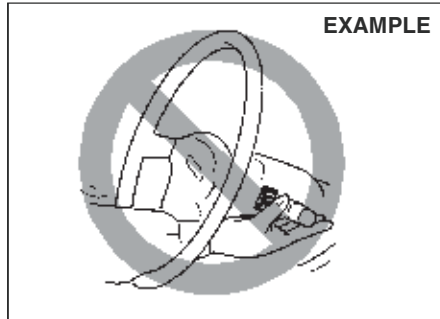
Hazard Warning Switch



MH0-07-014

Push in the hazard warning switch to activate the hazard warning lights. All turn signal lights and both turn signal indicators will flash simultaneously. To turn off the lights, push the switch again. Use the hazard warning lights to warn other traffic during emergency parking or when your vehicle could otherwise become a traffic hazard.

Windshield Wiper and Washer Lever



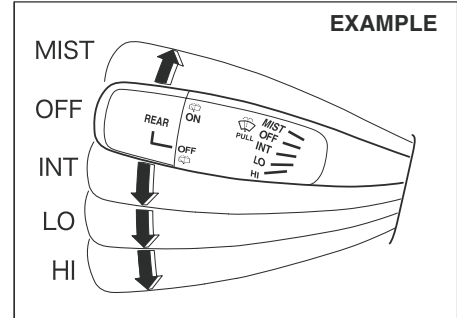
MH0-07-014

⚠ WARNING
To avoid possible injury, do not operate controls by reaching through the steering wheel.

Wiper and Washer Operation

When the ignition switch is in the “ON” position, you can use the wiper/washer lever or switch (if equipped).

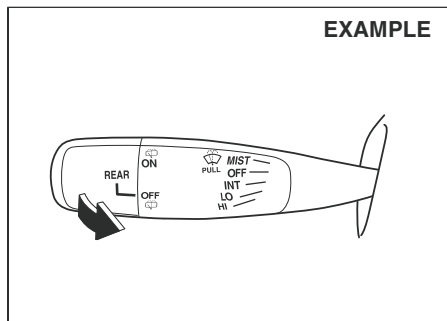
Windshield Wipers



MH0-07-014

To turn the windshield wipers on, move the lever down to one of the three operating positions. In the “INT” position, the wipers operate intermittently. The “INT” position is very convenient for driving in mist or light rain. In the “LO” position, the wipers operate at a steady low speed. In the “HI” position, the wipers operate at a steady high speed. To turn off the wipers, move the lever back to the “OFF” position. Move the lever up and hold it to the “MIST” position, the windshield wipers will turn on continuously at low speed.

Windshield Washer



MH0-07-014

To spray windshield washer fluid, pull the lever toward you. The windshield wipers will automatically turn on at low speed if they are not already on and the “INT” position is equipped.

⚠ WARNING

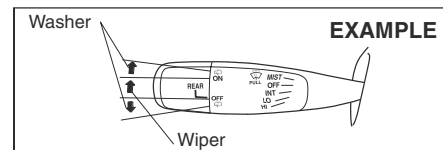
- To prevent windshield icing in cold weather, turn on the defroster to heat the windshield before and during windshield washer use.
- Do not use radiator antifreeze in the windshield washer reservoir. It can severely impair visibility when sprayed on the windshield, and can also damage your vehicle’s paint.

NOTICE

To help prevent damage to the windshield wiper and washer system components, you should take the following precautions:

- Do not continue to hold in the lever when there is no windshield washer fluid being sprayed or the washer motor can be damaged.
- Do not attempt to remove dirt from a dry windshield with the wipers or you can damage the windshield and the wiper blades. Always wet the windshield with washer fluid before operating the wipers.
- Clear ice or packed snow from the wiper blades before using the wipers.
- Check the washer fluid level regularly. Check it often when the weather is bad.
- Only fill the washer fluid reservoir 3/4 full during cold weather to allow room for expansion if the temperature falls low enough to freeze the solution.

Rear Window Wiper/Washer Switch (if equipped)



MH0-07-001

To turn the rear wiper on, twist the rear wiper switch on the end of the lever forward to the “ON” position. To turn the rear wiper off, twist the switch rearward to the “OFF” position.

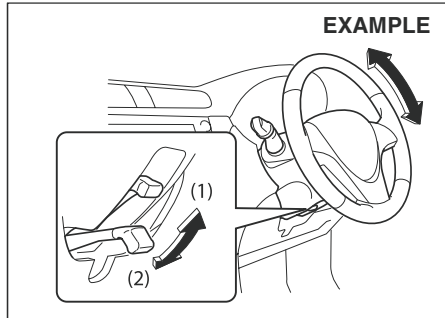
With the rear wiper in the “OFF” position, twist the switch rearward and hold it there to spray window washer fluid.

With the rear wiper in the “ON” position, turn the switch forward and hold it there to spray window washer fluid.

NOTICE

Clear ice or snow from the rear window and rear wiper blade before using the rear wiper. Accumulated ice or snow could prevent the wiper blade from moving, causing damage to the wiper motor.

Tilt Steering Lock Lever (if equipped)



MH0-07-014

- 1) LOCK
- 2) UNLOCK

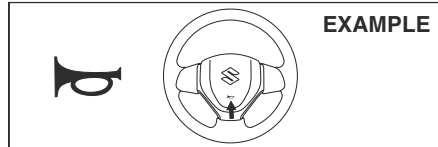
The lock lever is located under the steering column. To adjust the steering wheel height:

- 1) Push down the lock lever to unlock the steering column.
- 2) Adjust the steering wheel to the desired height and lock the steering column by pull up the lock lever.
- 3) Try moving the steering wheel up and down to make sure it is securely locked in position.

⚠ WARNING

Never attempt to adjust the steering wheel while the vehicle is moving or you could lose control of the vehicle.

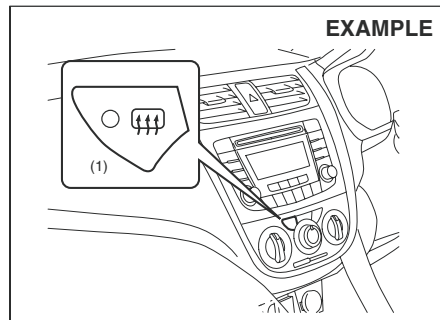
Horn



MH0-07-001

Press the horn button of the steering wheel to sound the horn. The horn will sound with the ignition switch in any position.

Heated Rear Window Switch (if equipped)



MH0-07-014

When the rear window is misted, push this switch (1) to clear the window.

An indicator light will be lit when the defogger is on. The defogger will work only when the engine is running. To turn off the defogger, push the (1) switch again.

NOTICE

The heated rear window uses a large amount of electricity. Be sure to turn off after the window has become clear.

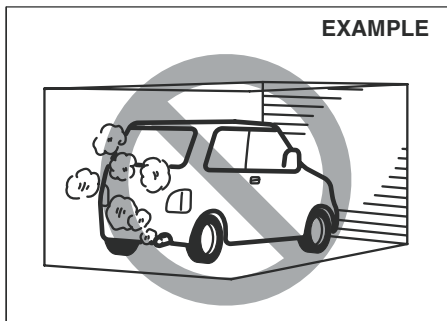
NOTE

- The defogger will work only when the engine is running.
- The defogger will automatically turn off after the defogger remains on for 15 minutes to prevent discharging of the battery.

OPERATING YOUR VEHICLE

Exhaust Gas Warning	5-1
Daily Inspection Checklist	5-1
Engine Oil Consumption	5-2
Ignition Switch	5-3
Parking Brake Lever	5-4
Pedal	5-5
Starting the Engine	5-6
Using the Transaxle	5-6
Braking	5-15

Exhaust Gas Warning



MH0-07-014

⚠ WARNING

Avoid breathing exhaust gases. Exhaust gases contain carbon monoxide, a potentially lethal gas that is colorless and odorless. Since carbon monoxide is difficult to detect by itself, be sure to take the following precautions to help prevent carbon monoxide from entering your vehicle.

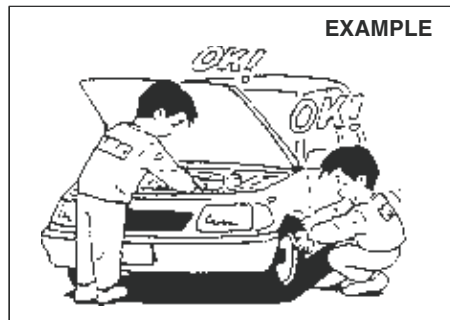
- Do not leave the engine running in garages or other confined areas.

⚠ WARNING

- Do not park with the engine running for a long period of time, even in an open area. If it is necessary to sit for a short time in a parked vehicle with the engine running, make sure the air intake selector is set to “FRESH AIR” and the fan is at high speed.
- Avoid operating the vehicle with the tailgate or trunk open. If it is necessary to operate the vehicle with the tailgate or trunk open, make sure the sunroof (if equipped) and all windows are closed, and the blower is at high speed with the air intake selector set to “FRESH AIR”.
- To allow proper operation of your vehicle’s ventilation system, keep the air inlet grille in front of the windshield clear of snow, leaves, or other obstructions at all times.
- Keep the exhaust tailpipe area clear of snow and other material to help reduce the buildup of exhaust gases under the vehicle. This is particularly important when parked in blizzard conditions.
- Have the exhaust system inspected periodically for damage and leaks. Any damage or leaks should be repaired immediately.

Daily Inspection Checklist

Before Driving



MH0-07-014

- 1) Make sure that windows, mirrors, lights, and reflectors are clean and unobstructed.
 - 2) Visually check the tires for the following points:
 - the depth of the tread groove
 - abnormal wear, cracks and damage
 - loose wheel nuts
 - existence of foreign material such as nails, stones, etc.
- Refer to “Tires” in “INSPECTION AND MAINTENANCE” section for details.
- 3) Look for fluid and oil leaks.

NOTE:

It is normal for water to drip from the air conditioning system after use.

- 4) Make sure the hood is fully closed and latched.
- 5) Check the headlights, turn signal lights, brake lights and horn for proper operation.
- 6) Adjust the seat and head restraint (if equipped).
- 7) Check the brake pedal and the parking brake lever.
- 8) Adjust the mirrors.
- 9) Make sure that you and all passengers have properly fastened your seat belts.
- 10) Make sure that all warning lights come on as the key is turned to the "ON" position.
- 11) Check all gauges.
- 12) Make sure that the BRAKE SYSTEM WARNING light turns off when the parking brake is released.

Once a week, or each time you fill your fuel tank, perform the following under-hood checks:

- 1) Engine oil level
- 2) Coolant level
- 3) Brake fluid level
- 4) Windshield washer fluid level
- 5) Battery solution level
- 6) Hood latch operation

Pull the hood release handle inside the vehicle. Make sure that you cannot open the hood all the way without releasing the secondary latch. Be sure to close the hood securely after checking for proper latch operation. See "All latches, hinges & locks" of "CHASSIS AND BODY" in the "Periodic Maintenance Schedule" in the "INSPECTION AND MAINTENANCE" section for lubrication schedule.

▲ WARNING

Make sure the hood is fully closed and latched before driving. If it is not, it can fly up unexpectedly during driving, obstructing your view and resulting in an accident.

Once a month, or each time you fill your fuel tank, check the tire pressure using a tire pressure gauge. Also check the tire pressure of the spare tire.

Engine Oil Consumption

It is normal for the engine to consume some engine oil during normal vehicle operation.

The amount of engine oil consumed depends on the viscosity of the oil, the quality of the oil and the conditions the vehicle is driven under.

More oil is consumed during high-speed driving and when there is frequent acceleration and deceleration. Under high loads, your engine also will consume more oil. A new engine also consumes more oil, since its pistons, piston rings and cylinder walls have not yet become conditioned. New engines reach the normal level of oil consumption only after approximately 5000 km (3000 miles) driving.

Oil consumption:

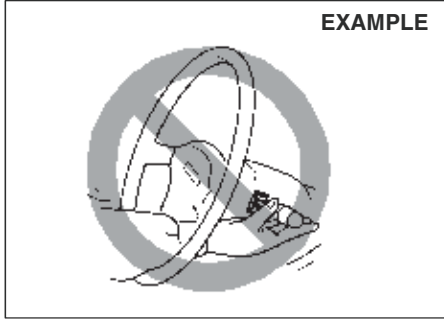
**Max. 1.0 L per 1000 km
(1 Qt. per 600 miles)**

When judging the amount of oil consumption, note that the oil may become diluted and make it difficult to accurately judge the true oil level.

As an example, if a vehicle is used for repeated short trips, and consumes a normal amount of oil, the dipstick may not show any drop in the oil level at all, even after 1000 km (600 miles) or more of driving. This is because the oil is gradually becoming diluted with fuel or moisture, making it appear that the oil level has not changed.

You should also be aware that the diluting ingredients evaporate out when the vehicle is subsequently driven at high speeds, such as on an expressway, making it appear that oil is excessively consumed after high-speed driving.

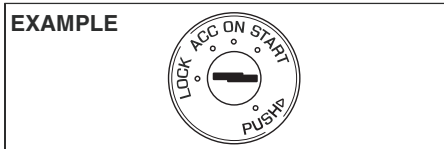
Ignition Switch



MH0-07-014

⚠ WARNING

To avoid possible injury, do not operate controls by reaching through the steering wheel.



MH0-07-001

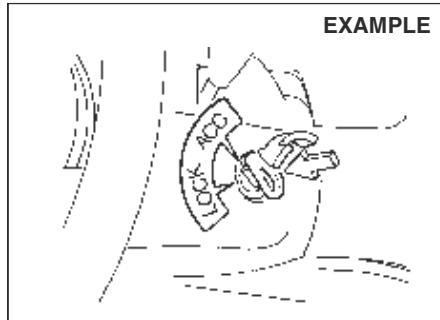
The ignition switch has the following four positions:

LOCK

This is the normal parking position. It is the

5-3

only position in which the key can be removed.



MH0-07-014

You must push in the key to turn it to the "LOCK" position. It locks the ignition, and prevents normal use of the steering wheel after the key is removed.

To release the steering lock, insert the key and turn it clockwise to one of the other positions. If you have trouble turning the key to unlock the steering, try turning the steering wheel slightly to the right or left while turning the key.

ACC

Accessories such as the radio can operate, but the engine is off.

ON

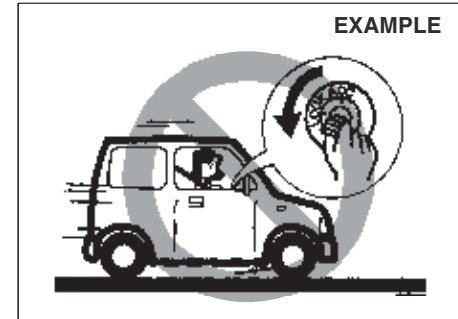
This is the normal operating position. All electrical systems are on.

START

This is the position for starting the engine using the starter motor. The key should be released from this position as soon as the engine starts.

Ignition key reminder (if equipped)

A buzzer sounds intermittently to remind you to remove the ignition key if it is in the ignition switch when the driver's door is opened.



MH0-07-014

⚠ WARNING

- Never remove the ignition key while the vehicle is moving. The steering wheel will lock and you will not be able to steer the vehicle.

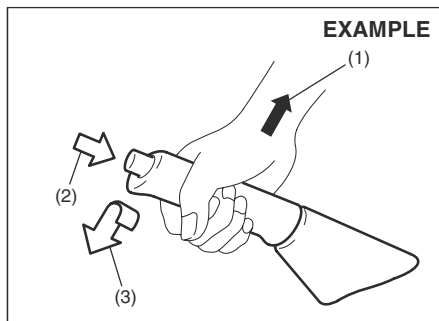


⚠ WARNING

- Always remove the ignition key when leaving the vehicle even if only for a short time. Also do not leave children alone in a parked vehicle. Unattended children could cause accidental movement of the vehicle or could tamper with power windows or power sunroof. They also could suffer from heat stroke in warm or hot weather. These could result in severe injury or even death.

NOTICE

- Do not use the starter motor for more than 15 seconds at a time. If the engine does not start, wait 15 seconds before trying again. If the engine does not start after several attempts, check the fuel and ignition systems or consult your MARUTI SUZUKI dealer.
- Do not leave the ignition switch in the "ON" position if the engine is not running as the battery will discharge.

Parking Brake Lever

MH0-07-014

- 1) To set
- 2) To release
- 3) To release

The parking brake lever is located between the seats. To set the parking brake, hold the brake pedal down and pull the parking brake lever all the way up. To release the parking brake, hold the brake pedal down, pull up slightly on the parking brake lever, push the button on the end of the lever with your thumb, and lower the lever to its original position.

⚠ WARNING

- Never drive your vehicle with the parking brake on: rear brake effectiveness can be reduced from overheating, brake life may be shortened, or permanent brake damage may result.
- If the parking brake does not hold the vehicle securely or does not fully release, have your vehicle inspected immediately by an authorized MARUTI SUZUKI dealer.

⚠ WARNING

Always set the parking brake fully before leaving your vehicle or it may move, causing injury or damage. When parking, make sure the gearshift lever is in reverse or first gear. Remember, even though the transaxle is in gear, you must set the parking brake fully.

⚠ WARNING

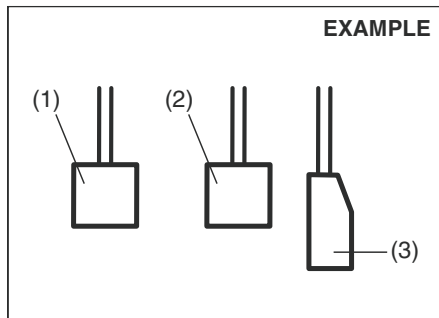
When parking the vehicle in extremely cold weather, the following procedure should be used:

- 1) Set the parking brake.
- 2) Manual transaxle - turn off the engine, then shift into reverse or first gear.
Automated manual transaxle – shift into reverse or first gear and check the gear position indicator in the instrument cluster to make sure that the transaxle is engaged in 1st or reverse, then turn off the engine.
- 3) Get out of the vehicle and put chocks under the wheels.
- 4) Release the parking brake.

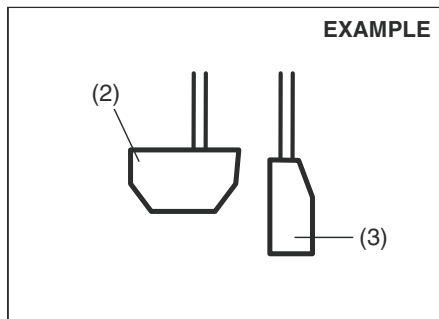
When you return to your vehicle, you must remember to first set the parking brake, then remove the wheel chocks.

NOTE:

(For Automated Manual Transaxle Model)
For details on how to use the gearshift lever to park the vehicle, refer to "Parking" in "Automated Manual Transaxle" in this section.

Pedal**Manual transaxle**

MH0-07-014

Automated manual transaxle

MH0-07-014

**Clutch Pedal (1)
(For manual transaxle)**

The clutch pedal is used to disengage the drive to the wheels when starting the engine, stopping, or shifting the gearshift lever. Depressing the pedal disengages the clutch.

⚠ WARNING

Do not drive with your foot resting on the clutch pedal. It could result in excessive clutch wear, clutch damage, or unexpected loss of engine braking.

Brake Pedal (2)

Your MARUTI SUZUKI vehicle is equipped with front disc brakes and rear drum brakes. Depressing the brake pedal applies both sets of brakes.

You may hear occasional brake squeal when you apply the brakes. This is a normal condition caused by environmental factors such as cold, wet, snow, etc.

⚠ WARNING

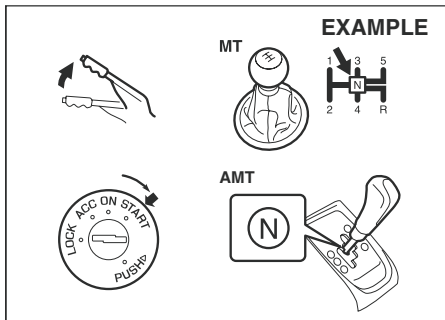
If brake squeal is excessive and occurs each time the brakes are applied, you should have the brakes checked by your MARUTI SUZUKI dealer.

▲ WARNING

Do not “ride” the brakes by applying them continuously or resting your foot on the pedal. This will result in overheating of the brakes which could cause unpredictable braking action, longer stopping distances, or permanent brake damage.

Accelerator Pedal (3)

This pedal controls the speed of the engine. Depressing the accelerator pedal increases power output and speed.

Starting the Engine**Before Starting the Engine**

MH0-07-014

1) Make sure the parking brake is set fully.

- 2) Manual transaxle – Shift into “N” (Neutral) and depress the clutch pedal all the way to the floor. Hold the clutch pedal while starting the engine.
Automated manual transaxle – Shift into “N” (Neutral) and depress the brake pedal. Hold the brake pedal while starting the engine.

▲ WARNING

Make sure that the parking brake is set fully and the transaxle is in Neutral before attempting to start the engine.

Starting a Cold and Warm Engine

With your foot off the accelerator pedal, crank the engine by turning the ignition key to “START”. Release the key when the engine starts.

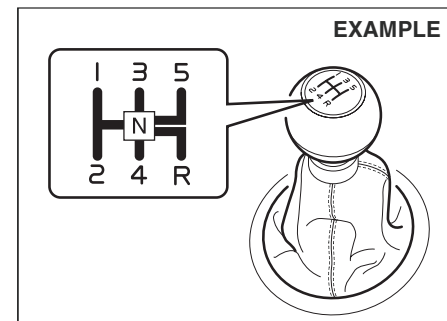
NOTICE

- Stop turning the starter immediately after the engine has started or the starter system can be damaged.
- Do not crank the engine for more than 15 seconds at a time. If the engine doesn't start on the first try, wait about 15 seconds before trying again.

If the engine does not start after 15 seconds of cranking, wait about 15 seconds,

then press down the accelerator pedal to 1/3 of its travel and try cranking the engine again. Release the key and accelerator pedal when the engine starts.

If the engine still does not start, try holding the accelerator pedal all the way to the floor while cranking. This should clear the engine if it is flooded.

Using the Transaxle**Manual Transaxle**

MH0-07-014

Starting off

To start off, depress the clutch pedal all the way to the floor and shift into 1st gear. After releasing the parking brake, gradually release the clutch. When you hear a change in the engine's sound, slowly press the

accelerator while continuing to gradually release the clutch.

Shifting

All forward gears are synchronized, which provides for quiet and easy shifting. Always push in the clutch pedal fully before shifting gears.

Downshifting maximum allowable speeds

For K10B engine

Downshifting	km/h (mph)
2nd to 1st	10 (6)
3rd to 2nd	37 (23)
4th to 3rd	55 (34)
5th to 4th	OK at all

NOTICE

When downshifting to a lower gear, make sure not to downshift at the speed faster than the maximum allowable speeds, or severe engine damage can result.

Keep the engine speed so it does not get into the red zone of tachometer.

⚠ WARNING

- **Reduce your speed and downshift to a lower gear before going down a long or steep hill. A lower gear will allow the engine to provide braking. Avoid riding the brakes or they may overheat, resulting in brake failure.**
- **When driving on slippery roads, be sure to slow down before downshifting. Excessive and or sudden changes in engine speed may cause loss of traction, which could cause you to lose control.**

NOTICE

Make sure that the vehicle is completely stationary before you shift into reverse.

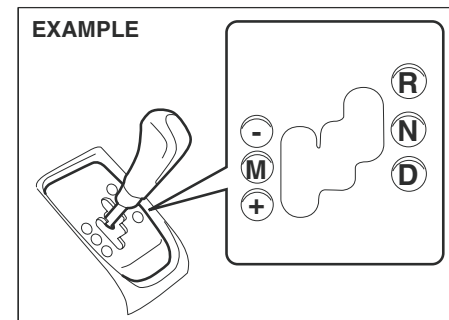
NOTICE

- **To help avoid clutch damage, do not use the clutch pedal as a footrest while driving or use the clutch to keep the vehicle stationary on a slope. Depress the clutch fully when shifting.**
- **When shifting or starting off, do not race the engine. Racing the engine can shorten engine life and affect smooth shifting.**

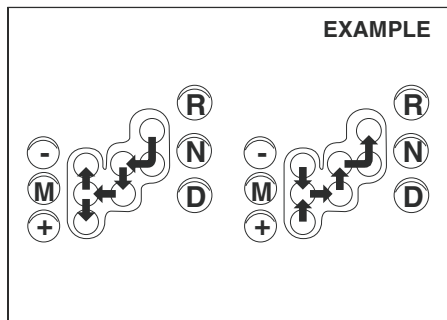
Automated Manual Transaxle (Auto Gear Shift)

Automated manual transaxle is a 5-speed forward/reverse transaxle. Automated manual transaxle has the basic features of conventional manual transaxle, but clutch operation and transaxle gear shifting are controlled electronically.

The features are as follows:



MH0-07-014



MH0-07-014

Depress brake pedal indicator



MH0-07-001

This light will come on if you do not depress the brake pedal in the following situations.

- When starting the engine.
- When the engine is on and the gearshift lever is shifted from “N” position to “D”, “M” or “R” position.
- When the ignition switch is in the “ON” position and the engine is off, the gearshift lever is shifted into any position.

This light will also come on if one of the gears cannot be engaged and the system is unable to re-try shifting when you shift the gearshift lever from “N” position to “D”, “M” or “R” position.

Starting the engine

When starting the engine, always place the gearshift lever in the “N” position and depress the brake pedal firmly. The engine cannot be started unless the gearshift lever is in the “N” position and the brake pedal is depressed.



MH0-07-001

Clutch operation

You can select either the Drive (D) mode or the Manual (M) mode. Since this vehicle controls clutch operation electronically in either mode, you do not need to operate the clutch.

Creeping function

This vehicle has a creeping function that helps the vehicle to start smoothly by engaging the clutch. When the gearshift lever is in any of the positions “D”, “M” or “R”, and you release your foot from the brake pedal,

the vehicle starts slowly without depressing the accelerator pedal. The creeping function is disabled if you depress the brake pedal or pull up the parking brake lever.

NOTE:

If the driver's door is opened and/or the parking brake lever is engaged with the gear in the “M”, “D” or “R” position, the creeping function will not operate.

Parking and Stopping the vehicle

Automated manual transaxle does not have a parking position. The vehicle can be parked with the gearshift lever in any position. When stopping the vehicle, the gear will be shifted to 1st.

NOTICE

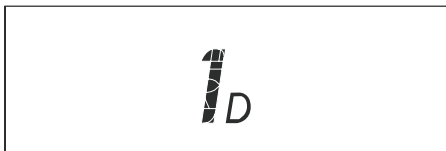
A buzzer will sound continuously if the vehicle is operated with the gearshift lever in-between of each shift positions. The vehicle will become inoperative if you continue to operate the vehicle with the gearshift lever in-between shift positions.

Drive (D) mode

When the Drive (D) mode is activated, the most appropriate gear position is automatically selected upon operation of the accelerator pedal and variation of vehicle speed.

Normal driving:

- 1) Start the engine as instructed in “Starting the engine” in this section.
- 2) With your foot on the brake pedal, shift the gearshift lever to the “D” position. When the gearshift lever is shifted to the “D” position, the gear will be shifted to 1st.



MH0-07-001

NOTE:

- If 1st gear cannot be engaged even though the gearshift lever has been shifted from the “N” to the “D” position, the system will re-try shifting automatically. This will take some time, noise may be heard from the gears, and shifting gear shock may occur. However, they do not indicate a malfunction.
- The “N” indicator will flash, the depress brake pedal indicator will come on and a warning buzzer (long pulse sound) will sound if any of the following cases occur;
 - If you shift the gearshift lever from the “N” to the “D” position without depressing the brake pedal.

– If the system is unable to re-try shifting you should depress the brake pedal and shift the gearshift lever to “N” position, then shift to “D” again.

- 3) Release the parking brake and brake pedal.
- 4) Depress the accelerator pedal slowly.

⚠ WARNING

- While driving the vehicle, do not shift the gearshift lever to the “N” position. The engine brake may not work and you may get involved in an unexpected accident. If you return the gearshift lever from “N” to “D” because of unintended shifting, the gear position will be shifted according to the current vehicle speed.
- Always keep your foot on the brake pedal while stopped with the engine running. This operation prevents the vehicle from moving due to unintended activation of the creeping function.

NOTICE

If the gearshift lever cannot shift into any position, or the gear is changed to “N” position automatically when the vehicle speed becomes less than 10 km/h (6 mph), there may be a systematic malfunction. In this case, ask your MARUTI SUZUKI dealer to inspect the automated manual transaxle system as soon as possible.

NOTICE

Do not operate the system as described below. The life cycle of the clutch may be reduced.

- Using the accelerator pedal to hold the vehicle on an uphill slope with the gearshift lever in the “D” or “M” position. If you perform this operation for a certain period of time, a warning buzzer will sound.
- Shifting the gearshift lever to the “D”, “M” or “R” position while racing the engine.
- Driving at low speed using a high gear.
- Holding the vehicle on an uphill slope using the creeping function. If you perform this operation for a certain period of time, a warning buzzer will sound.

Starting off on an uphill/downhill:**Uphill**

- 1) Apply the parking brake firmly so that the vehicle does not roll backwards.
- 2) Shift the gearshift lever to the “D” position while depressing the brake pedal. Make sure that the gear position indicator in the instrumental cluster displays 1st gear.
- 3) Release the brake pedal and depress the accelerator pedal gradually, and when the vehicle starts to move, release the parking brake and depress the accelerator pedal to start off.

NOTICE

On an uphill slope, never hold the vehicle at a stop using only the accelerator pedal or the creeping function. If you perform this operation for a certain period of time, a warning buzzer will sound, and in some cases the engine will stall. This can also cause excessive damage to the clutch.

Downhill

- 1) Depress the brake pedal and shift the gearshift lever to the “D” position. Make sure that the gear is in 1st by checking the gear position indicator.

- 2) Release the brake pedal and depress the accelerator pedal slowly. Even if the accelerator pedal is not depressed, the clutch will be engaged when the vehicle speed increases.

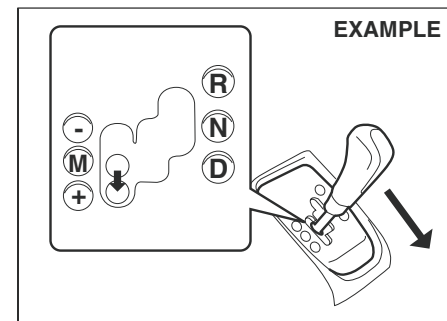
Using engine braking:

When driving on a downhill slope, downshifting is recommended. So you can use engine braking.

By placing the gearshift lever in the “M” position, the Manual (M) mode is selected, and you can shift to a lower gear manually. For details of downshift operation, refer to “Upshift and downshift” in the “Manual (M) mode”.

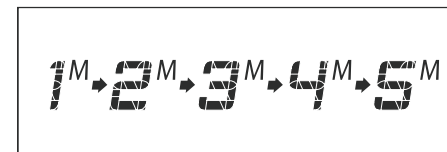
Manual (M) mode

The gears are not shifted automatically. To shift the transaxle, the driver must operate the gearshift lever to the “+” or “-” direction. As for conventional manual transaxle vehicles, releasing the accelerator pedal a little may help the transaxle to shift smoothly.

Upshift and downshift:**Upshifting**

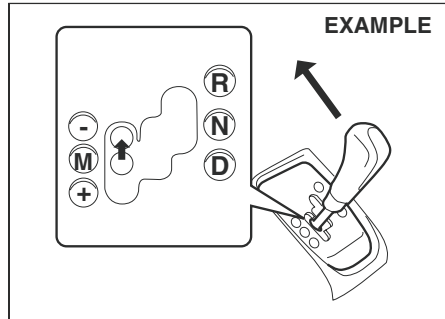
MH0-07-014

Pull the gearshift lever to the “+” direction and release it. Every time the lever is operated, the transaxle is upshifting 1 step in the order of 1st → 2nd → 3rd → 4th → 5th gear.



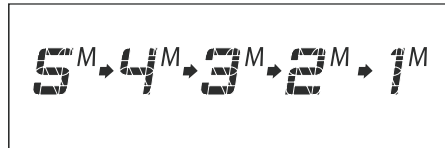
MH0-07-001

Downshifting



MHO-07-014

Push the gearshift lever to the “-” direction and release it. Every time the lever is operated, the transaxle is downshifted in the order 5th → 4th → 3rd → 2nd → 1st gear.



MHO-07-001

The gear position is displayed on the gear position indicator. The gear position indicator shows the transaxle gear position. Before starting off, always check the gear position indicator to make sure that the transaxle is engaged in 1st or reverse, then depress the accelerator pedal.

5-11

NOTE:

- To downshift smoothly, the engine runs fast in some cases. This is done intentionally by the system and is not a malfunction.
- When driving down a hill, downshift and use the engine braking appropriately. If necessary, continuous downshifting is possible. However, if downshifting more than 3 steps, gear shifting will take more time.
- When the gear is shifting, a noise can be heard in some case. This is not a malfunction.

⚠ WARNING

- Be careful when accelerating, upshifting, downshifting or braking on a slippery surface. Sudden acceleration or engine braking could cause the vehicle to spin or skid.
- To drive down a long or steep hill, reduce your speed and downshift. Remember, if you ride the brakes excessively, they may overheat and fail.
- While driving the vehicle, do not shift the gearshift lever to “N” position. The engine brake may not work and you may get involved in an unexpected accident. If you return the gearshift lever from “N” to “M” because of unintended shifting, the gear position will be shifted according to the current vehicle speed.

⚠ WARNING

- Do not apply the parking brake while driving. Otherwise, it could cause a skid and you may get involved in an unexpected accident.

NOTICE

- If the gearshift lever cannot shift into any position, or the gear is changed to “N” position automatically when the vehicle speed becomes less than 10 km/h (6 mph), there may be a systematic malfunction. In this case, ask your MARUTI SUZUKI dealer to inspect the automated manual transaxle system as soon as possible.
- The manual (M) mode does not upshift even if the engine speed reaches the rev-limit.
- The system will not allow shifting up or down to a gear that would cause engine over-revving or under-revving.
- If frequently driving at low speed using a high gear position, the life cycle of the clutch may be reduced.
- Frequent downshifting (more than 3 positions consecutively) causes the reduction of transaxle life.

Starting off:

- 1) Start the engine as instructed in “Starting

the engine” in this section.

- 2) With your foot on the brake pedal, shift the gearshift lever to the “M” position. When the gearshift lever is shifted to the “M” position, the gear will be shifted to 1st. Before starting off, always make sure that the intended gear is engaged by checking the gear position indicator, then depress the accelerator pedal.

NOTE:

- *If 1st gear cannot be engaged even though the gearshift lever has been shifted from the “N” to the “M” position, the system will re-try shifting automatically. This will take some time, noise may be heard from the gears, and shifting gear shock may occur. However, they do not indicate a malfunction.*
- *The “N” indicator will flash, the depress brake pedal indicator will come on and a warning buzzer (long pulse sound) will sound if any of the following cases occur;*
 - *If you shift the gearshift lever from the “N” to the “M” position without depressing the brake pedal*
 - *If the system is unable to re-try shifting**You should depress the brake pedal and shift the gearshift lever to “N” position, then shift to “M” position again a few seconds later.*

- 3) Release the parking brake and brake

pedal. Depress the accelerator pedal slowly for smooth starting.

⚠ WARNING

Always keep your foot on the brake pedal or pull up the parking lever while stopped with the engine running. These operations prevent the vehicle from starting due to unintended activation of the creeping function.

NOTICE

Do not operate the system as described below. The life cycle of the clutch may be reduced.

- **Using the accelerator pedal to hold the vehicle on an uphill slope operation with the gearshift lever in the “M” or “D” position. If you perform this operation for a certain period of time, a warning buzzer will sound.**
- **Shifting the gearshift lever to the “M”, “D” or “R” position while racing the engine.**
- **Driving at low speed using a high gear.**
- **Stopping on a slope using the creeping function. If you perform this operation for a certain period of time, a warning buzzer will sound.**

**Starting off on an uphill/downhill slope:
Uphill**

- 1) Apply the parking brake firmly so that the vehicle does not roll backwards.
- 2) Shift the gearshift lever to the “M” position while depressing the brake pedal. Make sure that the gear position indicator in the instrumental cluster displays 1st gear.
- 3) Release the brake pedal and depress the accelerator pedal gradually, and when the vehicle starts to move, release the parking brake and depress the accelerator pedal to start off.

NOTICE

On an uphill slope, never hold the vehicle at a stop using only the accelerator pedal or creeping function. If you perform this operation for a certain period of time, a warning buzzer will sound, and in some cases the engine will stall. This can also cause excessive damage to the clutch.

Downhill

- 1) Depress the brake pedal and shift the gearshift lever to the “M” position. Check the gear position indicator to make sure that the gear is in 1st.

- 2) Release the brake pedal and depress the accelerator pedal slowly. Even though the accelerator pedal is not depressed, the clutch will be engaged when the vehicle speed increases.

Backing up

After the vehicle has stopped completely, depress the brake pedal and shift the gearshift lever to the “R” position. Depress the accelerator pedal slowly as when starting off in 1st gear. Before backing up, make sure that reverse gear is selected by checking the gear position indicator.



MH0-07-001

NOTE:

- If reverse gear cannot be engaged even though the gearshift lever has been shifted from the “N” to the “R” position, the system will re-try shifting automatically. This will take some time, noise may be heard from the gears, and shifting gear shock may occur. However, they do not indicate a malfunction.
- The “N” indicator will flash, the depress brake pedal indicator will come on and

a warning buzzer (long pulse sound) will sound if any of the following cases occur;

- If you shift the gearshift lever from the “N” to the “R” position without depressing the brake pedal
 - If the system is unable to re-try shifting You should depress the brake pedal and shift the gearshift lever to “N” position, then shift to “R” position again a few seconds later.
- The system will not allow shifting to the “R” position if the vehicle speed is over about 3 km/h (2 mph). If the gearshift lever is operated under this condition, the “N” indicator in the instrument cluster will blink. However, when the vehicle speed drops below about 3 km/h (2 mph), the gear will be shifted to reverse. Make sure that the vehicle has stopped completely before shifting to the “R” position.

NOTICE

On a downhill slope, never hold the vehicle at a stop using only the accelerator pedal or the creeping function. If you perform this operation for a certain period of time, a warning buzzer will sound, and in some cases the engine will stall. This can also cause excessive damage to the clutch.

Stopping

The vehicle can be stopped by depressing the brake pedal regardless of the gear position. This is because the clutch is automatically disengaged to prevent the engine from stopping.

- If the gearshift lever is in the “D” position, the gear will be downshifted to 1st when the vehicle stops.
- If the gearshift lever is in the “M” position, the gear will be downshifted to 1st when the vehicle stops.

⚠ WARNING

- When stopping, for example, at a traffic light, be sure to depress the brake pedal firmly. For your safety, apply the parking brake, too, when stopping on a hill.
- When racing the engine, make sure that the gear is in the “N” position by checking the gear position indicator. If the accelerator is operated with the gear in any other position, the vehicle may move resulting in an unexpected accident.
- Do not leave your vehicle unattended while the engine is running.

⚠ WARNING

- When leaving the vehicle, stop the engine and park the vehicle with a gear engaged. If you need to leave the vehicle with the engine running, apply the parking brakes firmly, and shift the gearshift lever to the “N” position. Otherwise, the vehicle may move unexpectedly and may cause an accident.

NOTICE

- On a slope, never hold the vehicle at a stop using only the accelerator pedal or the creeping function. If you perform this operation for a certain period of time, a warning buzzer will sound, and in some cases the engine will stall. This can also cause excessive damage to the clutch.
- If the gearshift lever is operated more than necessary, the system may not allow operation of the gearshift lever for a certain period of time, and the gear may not be shifted appropriately. Therefore, do not operate the gearshift lever if not necessary.

Parking

Unlike an automatic transaxle, automated manual transaxle does not have a parking position. The vehicle can be parked with the gearshift lever in any position.

- 1) Apply the parking brake firmly.
- 2) While depressing the brake pedal, shift the gearshift lever to the “R” position on a downhill slope, and to the 1st position in the drive (D) mode or the “M(1)” position in the manual (M) mode on an uphill slope and confirm the gear position by checking the gear position indicator.
- 3) Stop the engine.

NOTE:

- *After the engine is stopped, the gear in the transaxle does not change even if you shift the gearshift lever in any position. Always shift the gearshift lever before stop the engine.*
- *Check the transaxle gear position by looking at the gear position indicator, then turn the ignition switch off to stop the engine. Release the brake pedal after a few seconds. The gearshift lever will be locked in the position it was in when the ignition switch was turned off.*

⚠ WARNING

If the gear is not engaged properly and completely before the ignition switch is turned off, the vehicle may not be parked with the gear engaged. Always confirm the gear position by checking the gear position indicator when parking.

On a downhill slope, the gear should be put in reverse, and in 1st gear on an uphill slope. Otherwise, the vehicle may move, and cause an unexpected accident. If the gear is left in the “N” position, the vehicle cannot be parked with a gear engaged.

Parking cancel

Depress the brake pedal, turn the ignition switch to the “ON” position, and shift the gearshift lever to the “N” position. The gear will be disengaged.

Warning functions

A warning buzzer will sound or the indicator will blink under the following conditions.

Warning buzzer

- The clutch is heated due to excessive load.
- The creeping function is being activated for a long period of time.

NOTICE

In the above cases, pull over to the side of the road and stop the engine, and then ask your MARUTI SUZUKI dealer to inspect your vehicle. Otherwise, the clutch disc may be damaged.

- The ignition switch is turned to the "OFF" position with the gear in 2nd, 3rd, 4th or 5th. In this case, turn the ignition switch to the "ON" position and shift the gearshift lever in the "N" position, shift it to the "D" or "M" or "R" position, then turn the ignition switch to "OFF".
- During a stop, the driver's door is opened with the gearshift lever in the "R", "D" or "M" position while the engine is running.

"N" indicator blinking

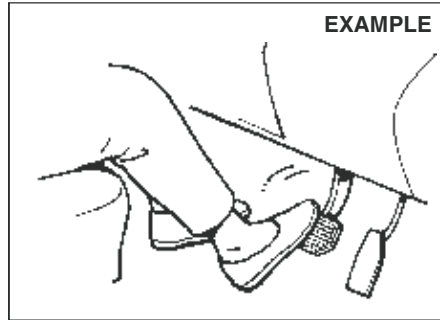
When the gear indicator lamp blinks "N", you should depress the brake pedal and shift the gearshift lever to "N" position.

"1st" indicator blinking

When the gear indicator lamp blinks "1st", you should depress the brake pedal and shift the gearshift lever to "N" position, then shift to "D" or "M" position again a few seconds later.

"R" indicator blinking

When the gear indicator lamp blinks "R", you should depress the brake pedal and shift the gearshift lever to "N" position, then shift to "R" position again a few seconds later.

Braking

MH0-07-014

The distance needed to bring any vehicle to a halt increases with the speed of the vehicle. The braking distance needed, for example, at 60 km/h (37 mph) will be approximately 4 times greater than the braking distance needed at 30 km/h (19 mph). Start to brake the vehicle when there is plenty of distance between your vehicle and the stopping point, and slow down gradually.

⚠ WARNING

If water gets into the brake drums, brake performance may become poor and unpredictable.

After driving through water or washing the underside of the vehicle, test the brakes while driving at a slow speed to see if they have maintained their normal effectiveness. If the brakes are less effective than normal, dry them by repeatedly applying the brakes while driving slowly until the brakes have regained their normal effectiveness.

Power-Assisted Brakes

Your vehicle has power-assisted brakes. If power assistance is lost due to a stalled engine or other failures, the system is still fully operational on reserve power and you can bring the vehicle to a complete stop by pressing the brake pedal once and holding it down. The reserve power is partly used up when you depress the brake pedal and reduces each time the pedal is pressed. Apply smooth and even pressure to the pedal. Do not pump the pedal.

⚠ WARNING

Even without reserve power in the brake system, you can still stop the vehicle by pressing the brake pedal harder than normally required. However, the stopping distance may be longer.

Brake Assist System (if equipped)

When you slam the brakes on, the brake assist system judges as an emergency stop and provides more powerful braking for a driver who cannot hold down the brake pedal firmly.

NOTE:

If you quickly and forcefully depress the brakes, you may hear a clicking sound in the brake pedal. This is normal and indicates that the brake assist system is activated properly.

Anti-Lock Brake System (ABS) (if equipped)

ABS will help you avoid skidding by electronically controlling braking pressure. It will also help you maintain steering control when braking on slippery surfaces or when braking hard.

The ABS works automatically, so you do not need any special braking technique. Just push the brake pedal down without

pumping. The ABS will operate whenever it senses that the wheels are locking up. You may feel the brake pedal moves a little while the ABS is operating.

NOTE:

The ABS will not work if vehicle speed is under about 10 km/h (6 mph).

⚠ WARNING

- On some types of loose surfaces (such as gravel, snow-covered roads, etc.) the stopping distance required for an ABS-equipped vehicle may be slightly greater than for a comparable vehicle with a conventional brake system. With a conventional brake system, skidding tires are able to “plow” the gravel or snow layer, shortening the stopping distance, ABS minimizes this resistance effect. Allow for extra stopping distance when driving on loose surfaces.
- On regular paved roads, some drivers may be able to obtain slightly shorter stopping distances with conventional brake systems than with ABS.
- In both of the above conditions, ABS will still offer the advantage of helping you maintain directional

**⚠ WARNING**

control. However, remember that ABS will not compensate for bad road or weather conditions or poor driver judgment. Use good judgment and do not drive faster than conditions will safely allow.



(1)

**BRAKE**

(2)

MH0-07-001

- 1) ABS warning light
- 2) Brake system warning light

⚠ WARNING

If the ABS warning light (1) on the instrument panel comes on and stays on while driving, there may be a problem with the ABS system. Ask your MARUTI SUZUKI dealer to inspect the ABS system immediately. If the ABS system becomes inoperative, the brake system will function as an ordinary brake system that has no ABS.



⚠ WARNING

- If the ABS warning light (1) and the Brake system warning light (2) on the instrument panel simultaneously stays on or comes on when driving, both anti-lock function and rear brake force control function (proportioning valve function) of the ABS system may have failed. If so, the rear wheels may easily skid or the vehicle can even spin in the worst case when braking on a slippery road or when hard braking even on a dry paved road. Ask your MARUTI SUZUKI dealer to inspect the ABS system immediately. Drive carefully, avoiding hard braking as much as possible.

⚠ WARNING

The ABS may not work properly if tires or wheels other than those specified in the owner's manual are used. This is because the ABS works by comparing changes in wheel speed. When replacing tires or wheels, use only the size and type specified in this owner's manual.

How the ABS Works

A computer continuously monitors wheel speed. The computer compares the changes in wheel speed when braking. If the wheels slow suddenly, indicating a skidding situation, the computer will change braking pressure several times each second to prevent the wheels from locking. When you start your vehicle after a stop you may hear a momentary motor noise as the system checks itself.

DRIVING TIPS

Running-in	6-1
Catalytic Converter	6-1
Improving Fuel Economy	6-2
Highway Driving	6-3
Driving on Hills	6-3
Driving on Slippery Roads	6-3
Driving on Wet Roads	6-5
Do's and Don'ts for Safe Driving	6-5
Margin for Safety	6-8



MH0-07-001

⚠ WARNING

- **Wear Your Seat Belts at All Times.** Even though air bags are equipped at the front seating positions, the driver and all passengers should be properly restrained at all times, using the seat belts provided. Refer to the “Seat Belts and Child Restraint Systems” section for instructions on proper use of the seat belts.
- **Never drive while under the influence of alcohol or other drugs.** Alcohol and drugs can seriously impair your ability to drive safely, greatly increasing the risk of injury to yourself and others. You should also avoid driving when you are tired, sick, irritated, or under stress.

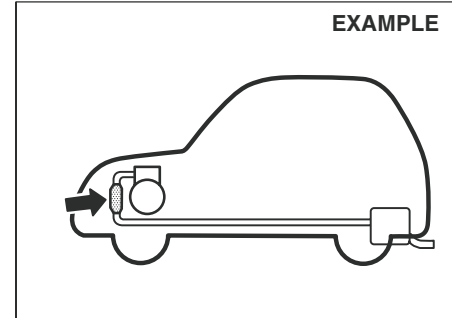
Running-in

NOTICE

The future performance and reliability of the engine depends on the care and restraint exercised during its early life. It is especially important to observe the following precautions during the initial 960 km (600 miles) of vehicle operation.

- After starting, do not race the engine. Warm it up gradually.
- Avoid prolonged vehicle operation at a constant speed. Moving parts will break in better if you vary your speed.
- Start off from a stop slowly. Avoid full throttle starts.
- Avoid hard braking, especially during the first 320 km (200 miles) of driving.
- Do not drive slowly with the transaxle in a high gear.
- Drive the vehicle at moderate engine speeds.
- Do not tow a trailer during the first 960 km (600 miles) of vehicle operation.

Catalytic Converter



MH0-07-014

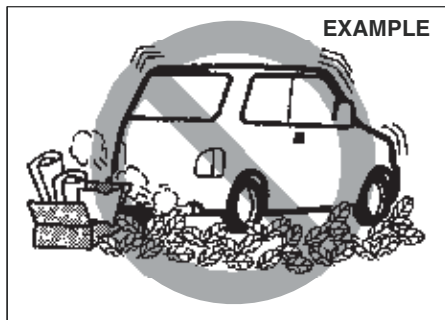
The purpose of the catalytic converter is to minimize the amount of harmful pollutants in your vehicle's exhaust. Use of leaded fuel in vehicles equipped with catalytic converters is prohibited, because lead deactivates the pollutant-reducing components of the catalyst system.

The converter is designed to last the life of the vehicle under normal usage and when unleaded fuel is used. No special maintenance is required on the converter. However, it is very important to keep the engine properly tuned. Engine misfiring, which can result from an improperly tuned engine, may cause overheating of the catalyst. This may result in permanent heat damage to the catalyst and other vehicle components.

NOTICE

To avoid damaging catalyst or other vehicle damage:

- Maintain the engine in the proper operating condition.
- In the event of an engine malfunction, particularly one involving engine misfiring or other apparent loss of performance, have the vehicle serviced promptly.
- Do not turn off the engine or interrupt the ignition when the transaxle is in gear and the vehicle is in motion.
- Do not try to start the engine by pushing or towing the vehicle, or coasting down a hill.
- Do not idle the engine with any spark plug wires disconnected or removed, such as during diagnostic testing.
- Do not idle the vehicle for prolonged periods if idling seems rough or there are other malfunctions.
- Do not allow the fuel tank to get near the empty level.
- Avoid driving your vehicle at excessively high engine speed in or around the red zone of the tachometer (if equipped).



MH0-07-014

⚠ WARNING

Be careful in areas where you park and drive; the catalytic converter and other exhaust components can get very hot. As with any vehicle, do not park or operate this vehicle in areas where combustible materials such as dry grass or leaves can come in contact with a hot exhaust system.

Improving Fuel Economy

The following instructions will help you improve fuel economy.

Avoid excessive idling

If you are to wait for more than a minute while you are parked, stop the engine and start it again later. When warming up a cold

engine, do not allow the engine to idle or apply full throttle until the engine has reached operating temperature. Allow the engine to warm up by driving.

Avoid "fast" starts

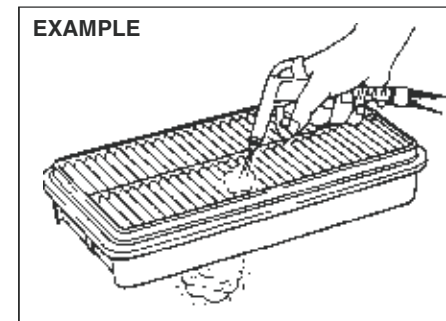
Fast starts away from lights or stop signs will consume fuel unnecessarily and shorten engine life. Start off slowly.

Avoid unnecessary stops

Avoid unnecessary deceleration and stopping. Try to maintain a slow, steady speed whenever possible. Slowing down and then accelerating again uses more fuel.

Keep a steady cruising speed

Keep as constant a speed as road and traffic conditions will permit.

Keep the air cleaner clean

MH0-07-014

If the air cleaner is clogged with dust, there will be greater intake resistance, resulting in decreased power output and increased fuel consumption.

Keep weight to a minimum

The heavier the load, the more fuel the vehicle consumes. Take out any luggage or cargo when it is not necessary.

Keep tire pressures correct

Underinflation of the tires can waste fuel due to increased running resistance of the tires. Keep your tires inflated to the correct pressure shown on the label on the driver's side door or the driver's door lock pillar.

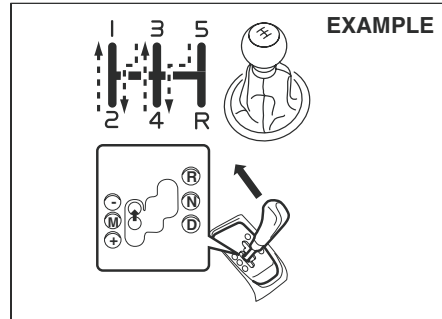
Highway Driving

When driving at highway speeds, pay attention to the following:

- Stopping distance progressively increases with vehicle speed. Apply the brakes far enough ahead of the stopping point to allow for the extra stopping distance.
- On rainy days, "Hydroplaning" can occur. "Hydroplaning" is the loss of direct contact between the road surface and the vehicle's tires due to a water film forming between them. Steering or braking the vehicle while "Hydroplaning" can be very difficult, and loss of control can occur. Keep speed down when the road surface is wet.

- At high speeds, the vehicle may be affected by side winds. Therefore, reduce speed and be prepared for unexpected buffeting, which can occur at the exits of tunnels, when passing by a cut of a hill, or when being overtaken by large vehicles, etc.

Driving on Hills



MH0-07-014

- When climbing steep hills, the vehicle may begin to slow down and show a lack of power. If this happens, you should shift to a lower gear so that the engine will again be operating in its normal power range. Shift rapidly to prevent the vehicle from losing momentum.
- When driving down a hill, the engine should be used for braking by shifting into a lower gear.

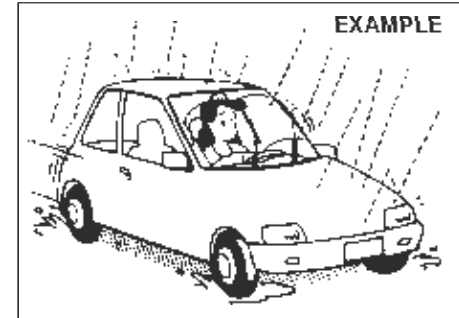
WARNING

Try not to hold the brake pedal down too long or too often while going down a steep or long hill. This could cause the brakes to overheat, resulting in reduced braking efficiency. Failure to take this precaution could result in loss of vehicle control.

NOTICE

When descending a down hill, NEVER turn the ignition key to the "LOCK" position. Emission control system damage may result.

Driving on Slippery Roads



MH0-07-014

Under wet road conditions you should drive

at a lower speed than on dry roads due to possible slippage of tires during braking. When driving on icy, snow-covered, or muddy roads, reduce your speed and avoid sudden acceleration, abrupt braking, or sharp steering movements.

Tire Chains

Tire chains should only be used if they are needed to increase traction or are required by law. Make sure that the chains you use are the correct size for your vehicle's tires. Also make sure that there is enough clearance between the fenders and the chains as installed on the tires.

Install the chains on the front tires tightly, according to the chain manufacturer's instructions. Retighten the chains after driving about 1.0 km (1/2 mile) if necessary. With the chains installed, drive slowly.

NOTICE

- If you hear the chains hitting against the vehicle body while driving, stop and tighten them.
- If your vehicle is equipped with full wheel caps, remove the wheel caps before installing the chains or the wheel caps can be damaged by the chain bands.

If Your Vehicle Gets Stuck

If your vehicle gets stuck in snow, mud, or sand, follow the directions below:

- 1) Shift the transaxle back and forth between a forward range (or first gear for manual transaxle) and reverse. This will create a rocking motion which may give you enough momentum to free the vehicle. Press gently on the accelerator to keep wheel spinning to a minimum wheel rpm. Remove your foot from the accelerator while shifting. Do not race the engine. Excessive wheel spin will cause the tires to dig deeper, making it more difficult to free the vehicle.
- 2) If your vehicle remains stuck after a few minutes of rocking, get another vehicle to pull your vehicle out.

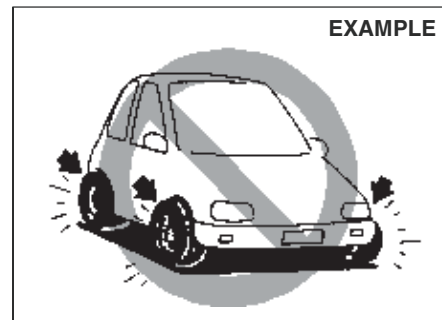
⚠ WARNING

Do not allow anyone to stand near the vehicle when you are rocking it, and do not spin the wheels faster than an indicated 40 km/h (25 mph) on the speedometer. Personal injury and/ or vehicle damage may result from spinning the wheels too fast.

NOTICE

Do not continue rocking the vehicle for more than a few minutes. Prolonged rocking can cause engine overheating or transaxle damage.

EXAMPLE



MH0-07-014

DRIVING ON WET ROADS

CAUTION

- When driving on wet roads, avoid driving through large amount of standing water on the road. Large amount of water entering the engine compartment may cause damage to the engine and or electrical components.
- If stuck in deep water, do not start till water level drops.
- Water is incompressible substance, water inside engine is harmful to the engine.

⚠ WARNING

In addition to following the driving tips in this section, it is important to observe the following precautions.

- Make sure your tires are in good condition and always maintain the specified tire pressure. Refer to “Tires” in the “INSPECTION AND MAINTENANCE” section for details.



⚠ WARNING



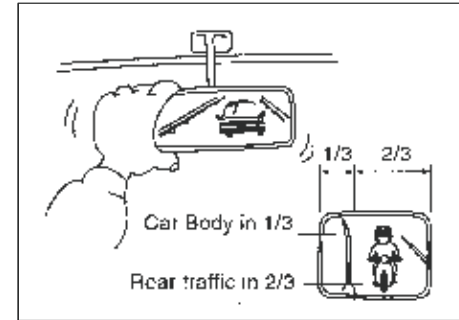
- Do not use tires other than those specified by MARUTI SUZUKI. Never use different sizes or types of tires on the front and rear wheels. For information regarding the specified tires, refer to the Tire Information Label located on the driver’s door lock pillar.
- Never use oversized tires or special shock absorbers and springs to raise (jack up) your vehicle. This will change the handling characteristics. Oversized tires may also rub against the fender over bumps, causing vehicle damage or tire failure.
- After driving through water, test the brakes while driving at a slow speed to see if they have maintained their normal effectiveness. If the brakes are less effective than normal, dry them by repeatedly applying the brakes while driving slowly until the brakes have regained their normal effectiveness.

DO’S AND DON’TS FOR SAFE DRIVING

Exercise care in handling your vehicle. Be conscious of not only your own safety but also the safety of others on the road, and

thus enjoy the best and most comfortable driving experience.

This section contains basic rules for safe driving. Read it carefully for good understanding of the content so that you can enjoy safe and pleasant driving in your Maruti Suzuki vehicle.



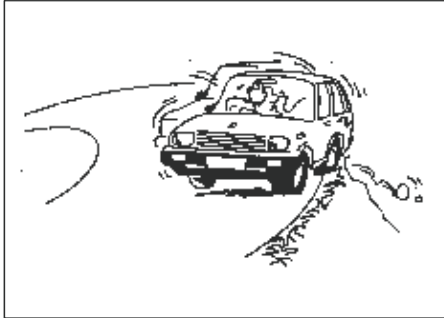
60M-04-008

Starting

1. Adjust the driver’s seat for the proper driving posture.
2. Adjust the rear view mirror so as to obtain the best possible rear view.
3. Before moving off, look forward and back to confirm safety.
4. Don’t start quickly, for it is dangerous and wastes fuel.

General driving

1. Be sure to stop before the stop light and stop sign. When moving into the intersection without any traffic lights or signs, drive slowly to confirm safety.

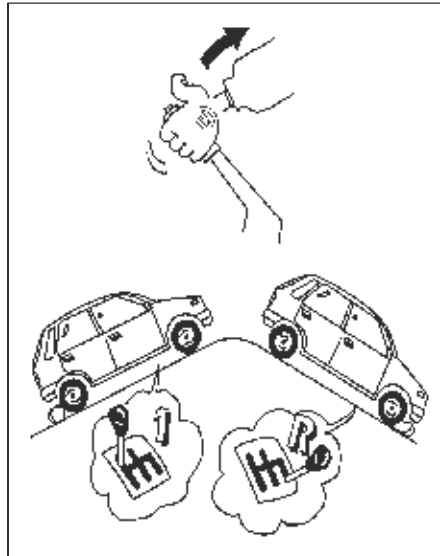


60M-04-009

2. Always follow other vehicles at a safe distance in order to prevent a rear-end collision, should the vehicle ahead make a sudden stop.
3. Turn ON the turn signal at least 30 meters before making a turn or changing the lane so as not to be hit from behind.
4. Before entering a corner, decelerate to a safe speed. Don't apply brakes during cornering, or a cornering skid may occur.
5. When overtaking other vehicles, watch out for the oncoming vehicle and

carefully confirm the safety.

6. Don't attempt zigzag driving which will hinder your control over the vehicle and cause an accident.



60M-04-010

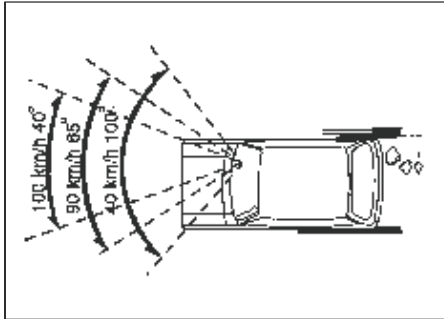
Braking

1. Use the parking brake when parking your vehicle and shift the gear shift lever into the first gear or reverse gear position for the sake of safety.

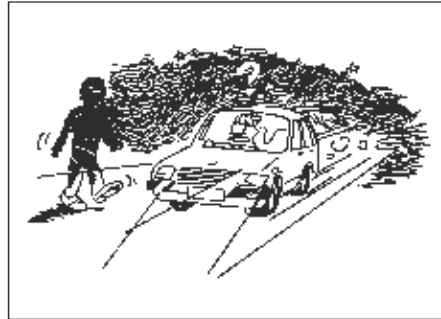


60M-04-011

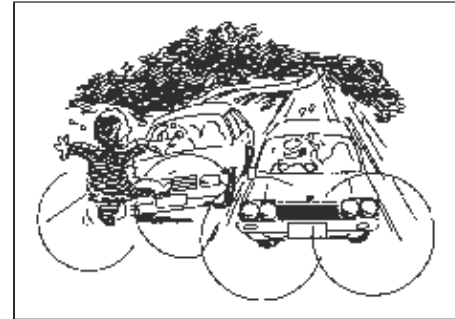
2. Don't use handbraking unless unavoidable. It causes the vehicle to skid and a rear-end collision occur. It is especially dangerous when the tyres are worn, for they allow a larger skid. Use foot brake in three stages
 - (1) Warn the vehicle behind you
 - (2) Gradually apply the brake.
 - (3) Bring the vehicle to a halt.
3. When driving on a downhill, try not to apply the brake but use the engine brake effectively. Overuse of the footbrake may result in total brake failure.
4. Avoid reckless high speed driving and try to drive at a safe speed suitable for the road conditions while maintaining a constant speed.



60M-04-012



60M-04-013



60M-04-014

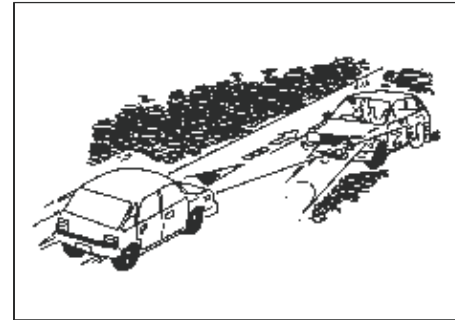
5. The higher the speed, the narrower the driver's visual range becomes. In such a state, it is difficult to anticipate any hazard and the driver feels much fatigued.
6. Never do sharp handling during high speed driving. You will lose your control over your vehicle.
7. When overtaking or changing the lane while driving at a high speed, keep an ample vehicle-to-vehicle distance.

Long distance driving

1. Be sure to perform safety checks before starting a trip.
2. Take rest at certain intervals to prevent an accident which may occur when you are sleepy or tired.

Night time driving

1. Drive more slowly at night than in the daytime, for the visual range is restricted at night.
2. Don't overtake other vehicles at night. Darkness bothers your sense of speed and hinders your judgement on the vehicle-to-vehicle distance.
3. Don't use the high headlight beam unless its use is inevitable. Its dazzle may blitz the driver of the oncoming vehicle, thus causing an accident.
4. Always keep the window glasses clean. Don't operate the windshield wiper when the windshield glass is dry or the wiper blade and glass may get damaged.



60M-04-015

MARGIN FOR SAFETY

It is important to allow yourself a margin for safety during driving so that you can cope with erroneous or unexpected driving of other drivers. For that, observe the following.

- Drive at a safe speed.
- Maintain a sufficient distance between your vehicle and the vehicle ahead.
- Don't force yourself to overtake other vehicles.
- Don't make quick start, hard steering or sudden stops.
- Allow an ample time in the driving schedule.
- Observe traffic rules and regulations.

CONCLUSION

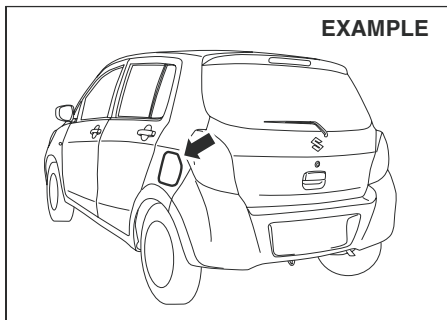
A perfect driver does not exist. The endeavour of every motorist should be to strive for perfection. Safety consciousness not only ensures your safety and the safety of other road users, it also helps reduce the wear and tear on your vehicle, prolongs its life, gives more mileage and ensures a comfortable driving experience.

Follow the do's and don'ts listed, and driving will never be the same again.

OTHER CONTROLS AND EQUIPMENT

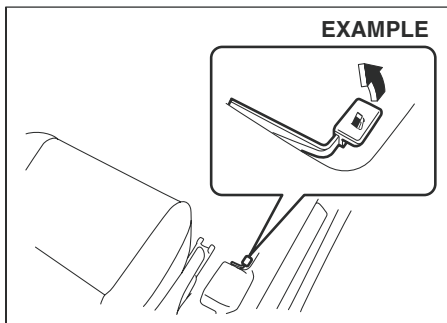
Fuel Filler Cap	7-1
Engine Hood	7-2
Sun Visor	7-3
Interior Light	7-4
Accessory Socket (if equipped)	7-5
AUX/USB Socket (if equipped)	7-5
Assist Grips (if equipped)	7-5
Glove Box	7-6
Cup Holder and Storage Area	7-6
Floor Mats (if equipped)	7-8
Luggage Compartment Hooks	7-8
Luggage Compartment Cover (if equipped)	7-8
Frame Hooks	7-9
Manual Heating and Air Conditioning System	7-10
Radio Antenna	7-14
Audio System (if equipped)	7-14

Fuel Filler Cap



EXAMPLE

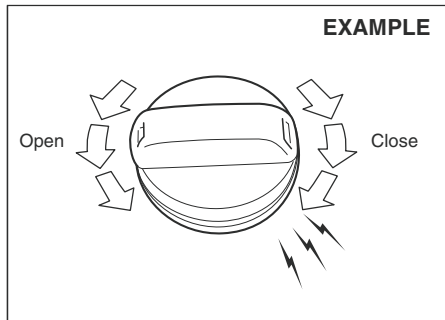
76MH0A064



EXAMPLE

74LHT0511

The fuel filler cap is located on the left rear side of the vehicle. The fuel filler door can be unlocked by pulling up the opener lever located on the outboard side of the driver's seat and locked by simply closing the door.



EXAMPLE

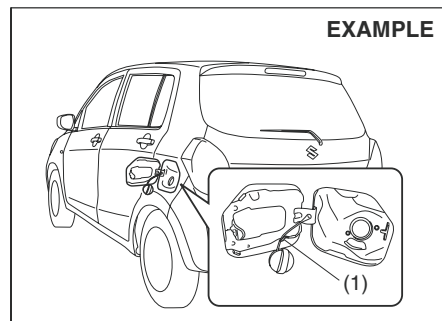
68KN048

To remove the fuel filler cap:

- 1) Open the fuel filler door.
- 2) Remove the cap by turning it counter-clockwise.

⚠ CAUTION

Remove the fuel filler cap slowly. The fuel may be under pressure and may spray out, causing injury.



EXAMPLE

76MH0A065

NOTE:

If the cap holder (1) is equipped with the fuel filler door, hold the fuel filler cap when refueling.

To reinstall the fuel filler cap:

- 1) Turn the cap clockwise until you hear several clicks.
- 2) Close the fuel filler door.

⚠ WARNING

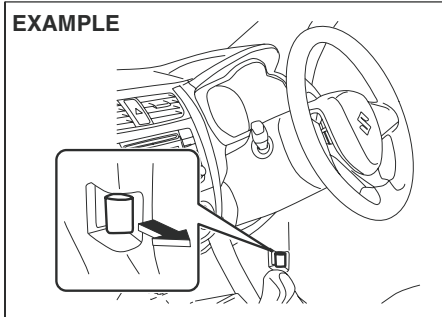
Fuel is extremely flammable. Do not smoke when refueling, and make sure there are no open flames or sparks in the area.

⚠ WARNING

If you need to replace the fuel cap, use a Maruti genuine cap. Use of an improper cap can result in a malfunction of the fuel system or emission control system. It may also result in fuel leakage in the event of an accident.

Engine Hood

EXAMPLE

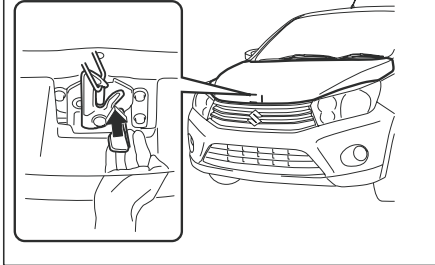


76MH0A066

To open the engine hood:

- 1) Pull the hood release handle located on the outboard side of the driver's side. This will disengage the engine hood lock halfway.

EXAMPLE



76MH0A067

- 2) Push the under-hood release lever up with your finger, as shown in the illustration. While pushing the lever, lift up the engine hood.

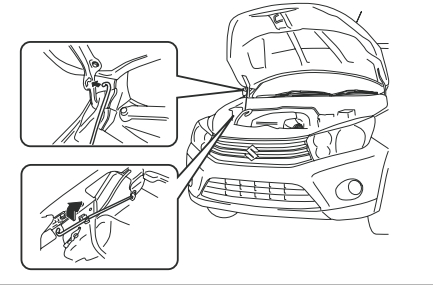
⚠ CAUTION

The release lever can be hot enough to burn your finger right after driving. Touch the lever after it becomes cool enough.

NOTICE

Make sure that the wiper arms are not raised before you lift up the engine hood to avoid damaging the wiper arms and the engine hood.

EXAMPLE



76MH0A068

- 3) While holding the hood, pull the prop rod out from the holding clip, then insert the end of the rod into the designated hole in the hood.

⚠ CAUTION

- The prop rod can be hot enough to burn your finger right after driving. Touch the rod after it becomes cool enough.
- Insert the end of the rod into the hole securely. If the rod drops off, your body may be caught in the hood.
- The rod may drop off when the hood is hit by a wind. Be careful on windy days.

To close the engine hood:

- 1) Lift the hood up slightly and remove the prop rod from the hole. Put the prop rod back to the holding clip.
- 2) Lower the hood close to the bumper, then let it drop down.
Make sure the hood is securely latched after closing.

⚠ WARNING

Make sure the hood is fully closed and latched before driving. If it is not, it can fly up unexpectedly during driving, obstructing your view and resulting in an accident.

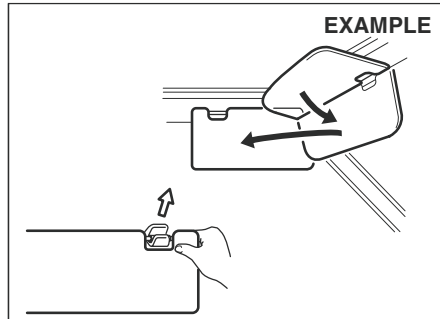
⚠ CAUTION

To avoid injury, be sure no part of the occupant's body such as hands or head is in the path of the hood when closing it.

NOTICE

Pressing the hood from above may damage the hood.

Sun Visor



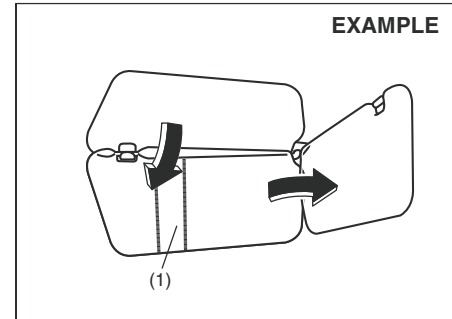
79J161

The sun visors can be pulled down to block glare coming through the windshield, or they can be unhooked and turned to the side to block glare coming through the side window.

NOTICE

When unhooking and hooking a sun visor, be sure to handle it by the hard plastic parts or the sun visor can be damaged.

Card holder (if equipped)



67LH064

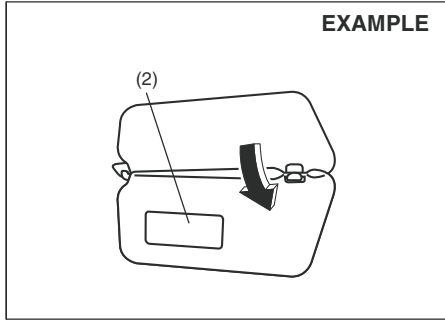
(1) Card holder

You can put a card in the card holder (1) on the back of the sun visor.

NOTICE

When you park your vehicle outdoors in direct sunlight or in hot weather, do not leave plastic cards in the holder. The heat may distort them.

Vanity mirror (if equipped)



74LHT0532

(2) Vanity mirror

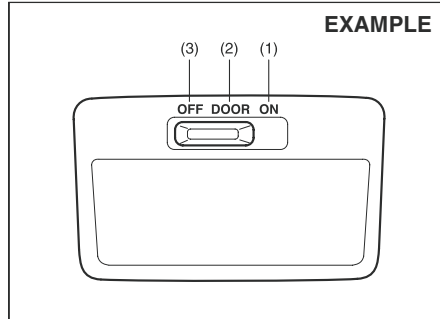
There is a vanity mirror (2) on the back of the sun visor.

⚠ WARNING

- Do not use the mirror while driving your vehicle or could lose control of the vehicle.
- When using the vanity mirror, do not move too close to a front air bag (if equipped) location or lean against it. If the front air bag is accidentally inflated, it could hit you hard.

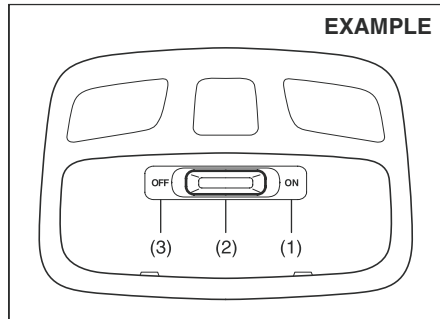
Interior Light

Type A



61MM0A107

Type B



76MH0A138

This light switch has three positions which function as described below:

ON (1)

The light comes on and stays on regardless of whether the door is open or closed.

DOOR (2)

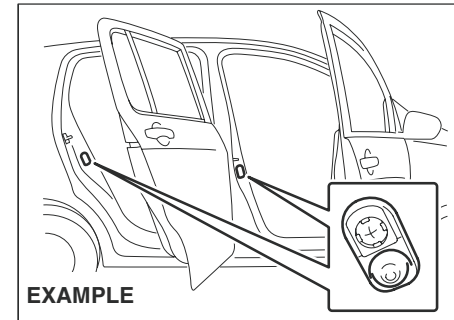
The light comes on when the door is opened.

After closing all doors, the light will remain on for about 15 seconds and then fade out. If you insert the key into the ignition switch during that time, the light will start to fade out immediately.

After removing the key from the ignition switch, the light will turn on for about 15 seconds and then fade out.

OFF (3)

The light remains off even when the door is opened.

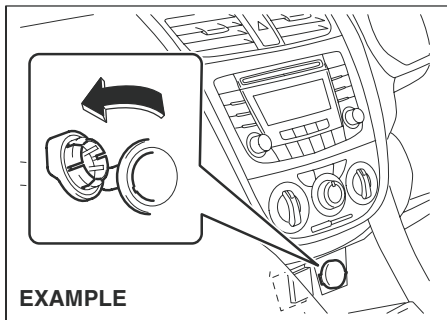


76MH0A069

NOTE:

The number of doors involved in the lighting operation of the interior light depends on the vehicle specification. If there is a switch (rubber projection) at the door opening as shown, the door is involved in the lighting operation. The tailgate is also involved in this operation even without the rubber projection.

Accessory Socket (if equipped)



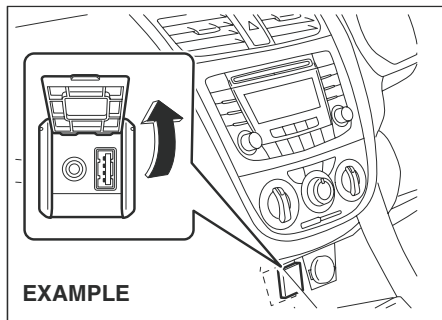
76MH0A070

The accessory socket will work when the ignition switch is in the “ACC” or “ON” position. This socket can be used to provide 12 volt/120 watt power for electrical accessories.

NOTICE

Use of inappropriate electrical accessories can cause damage to your vehicle’s electrical system. Make sure that any electrical accessories you use are designed to plug into this type of socket.

AUX/USB Socket (if equipped)



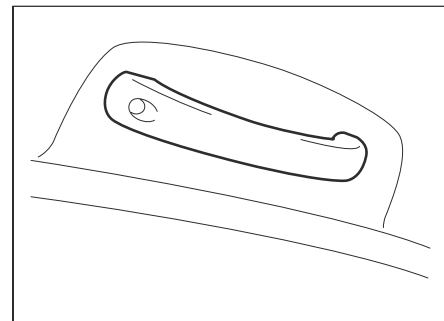
76MH0A071

Connect your portable digital music player, etc. to this socket to enjoy music through the vehicle’s audio system using it as a source. Refer to “Audio System” in this section.

NOTICE

Always close the lid when not in use, since entry of foreign material, dust, water, conductive liquids may damage the audio system or USB device.

Assist Grips (if equipped)



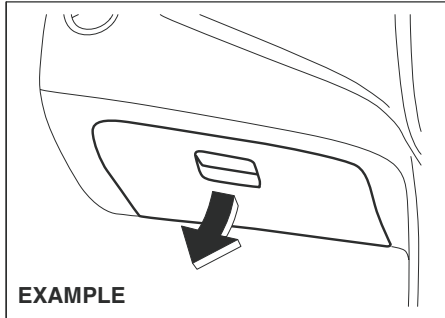
76MH0A072

Assist grips are provided for convenience.

NOTICE

To avoid damaging the assist grip and the molded headlining, do not hang down the assist grip.

Glove Box



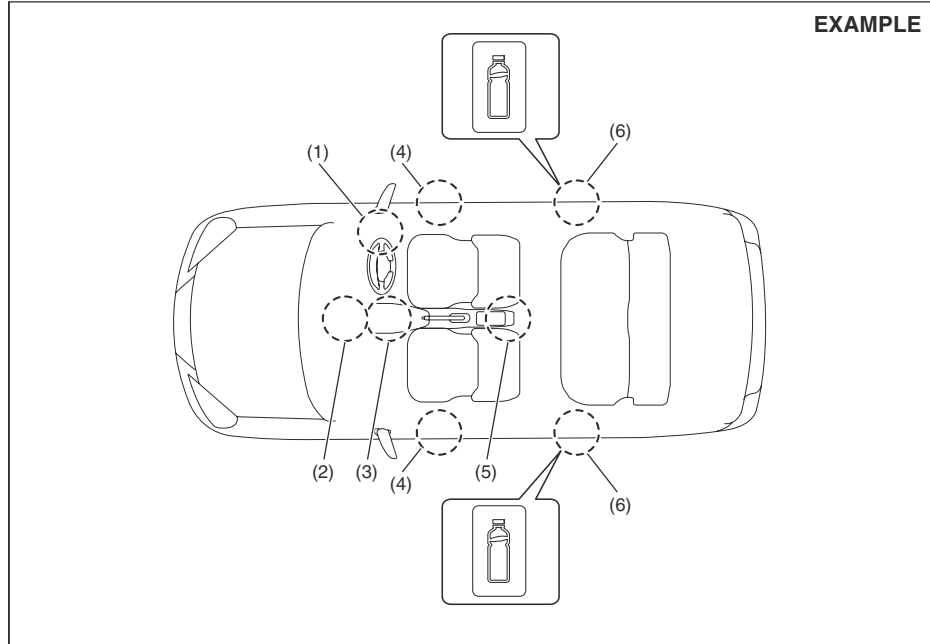
76MH0A073

To open the glove box, pull the latch lever. To close it, push the lid until it latches securely.

⚠ WARNING

Never drive with the glove box lid open. It could cause injury if an accident occurs.

Cup Holder and Storage Area



76MH0A074

- | | |
|--|-------------------------------------|
| 1) Instrument panel pocket (driver's side) | 2) Instrument panel pocket (center) |
| 3) Front cup holders | 4) Front door pocket |
| 5) Rear cup holder | 6) Rear door pocket |

Instrument Panel Pocket

(driver's side) (1) /

Instrument Panel Pocket (center) (2)

⚠ WARNING

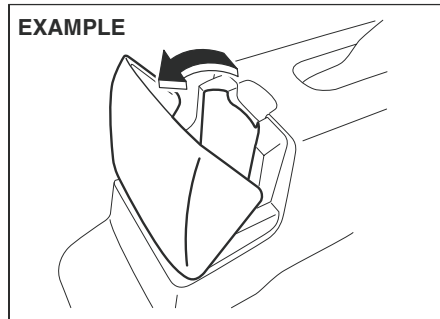
Do not place any objects which may fall out from the pocket when the vehicle is moving.

Failure to take the precaution may result in an object interfering with the pedals and causing a loss of vehicle control or an accident.

Front Cup Holders (3)**⚠ WARNING**

Failure to take the precautions listed below could cause personal injury or vehicle damage.

- Be careful when you are using the cup holders to hold a cup containing hot liquid. Spilling out hot liquid can cause burn injury.
- Do not use the cup holders to hold sharp-edged, hard, or breakable objects. Objects in the cup holders may be thrown about during a sudden stop or impact, and could cause personal injury.
- Be careful not to spill liquid or insert any foreign materials into the moving part of the gearshift lever, or any electrical components. Liquid or foreign materials may damage these parts.

Rear Cup Holder (2)**EXAMPLE**

76MH0A075

Open the top to use the cup holder.

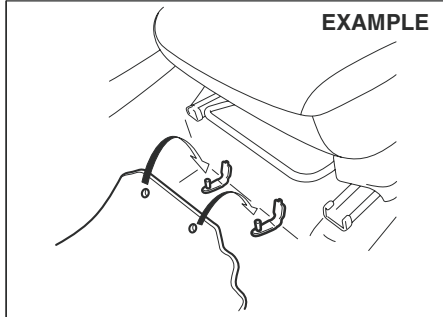
Rear Door Pocket (4)

This pocket is provided for holding light and small items.

Bottle holder

You should hold a bottle with a cap in the holder.

Floor Mats (if equipped)



68LM554

To prevent the driver's side floor mat from sliding forward and possibly interfering with the operation of the pedals, genuine MARUTI SUZUKI floor mats are recommended.

Whenever you put the driver's side floor mat back in the vehicle after it has been removed, be sure to hook the floor mat grommet(s) to the fastener(s) and position the floor mat properly in the footwell.

When you replace the floor mats in your vehicle with a different type such as allweather floor mats, we highly recommend using Maruti genuine floor mats for proper fitting.

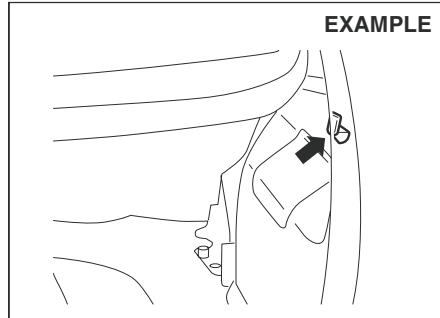
⚠ WARNING

Failure to take the following precautions may result in the driver's side floor mat interfering with the pedals and causing a loss of vehicle control or an accident.

- Make sure that the floor mat grommet-(s) is(are) hooked to the fastener(s).
- Never place additional floor mats on top of the existing floor mat.

Luggage Compartment Hooks

Shopping Hook



76MH0A104

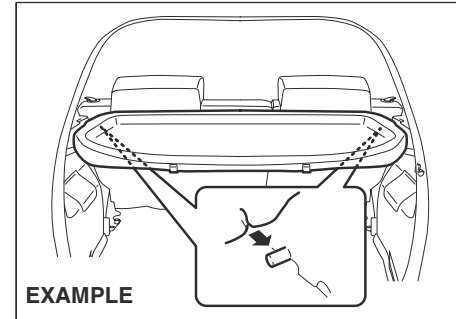
You can hang the shopping bag or other suitable objects on the hook. This hook is not designed for large or heavy items.

NOTICE

To avoid breaking the hook, do not hang items heavier than following weight.

Shopping hook: 1 kg (2.2 lbs)

Luggage Compartment Cover (if equipped)



76MH0A076

Luggage or other cargo placed in the luggage compartment is hidden from view by a luggage compartment cover.

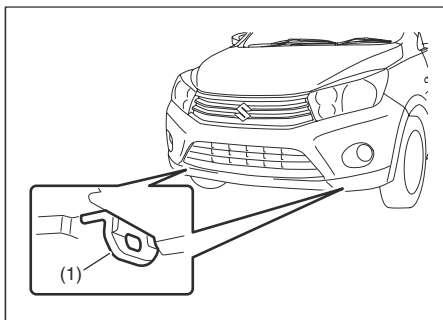
⚠ WARNING

Do not carry items on top of the luggage compartment cover, even if they are small and light. Objects on top of the cover could be thrown about in an accident, causing injury, or could obstruct the driver's rear view.

NOTICE

To avoid damaging the luggage compartment cover:

- Do not push down on it or lean on it.
- Handle it carefully when installing or removing.

Frame Hooks**Front**

76MH0A077

The frame hook (1) is provided on the front of the vehicle for use in emergency situations and train shipping purposes only.

To tow your vehicle on the road or highway, follow the instruction of "Towing" in "EMERGENCY SERVICE" section.

⚠ WARNING

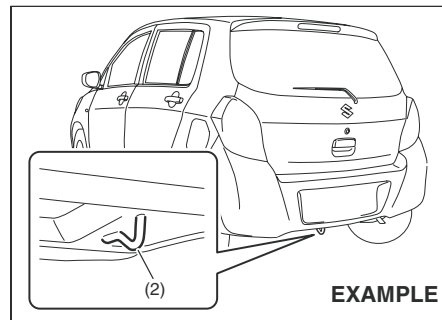
Do not use the frame hooks to tow another vehicle or to have your vehicle towed on the road or highway.

The hook (1) is designed for use in emergency situations only, such as if your vehicle or another vehicle gets stuck in deep mud or snow.

NOTICE

When you use the frame hook (1), avoid the driving that gives significant physical shock on hook. Such operation can damage the hook, or the vehicle body.

Do not accelerate suddenly.

Rear**EXAMPLE**

76MH0A078

The frame hook (2) is provided on the rear of the vehicle for use in emergency situations and train/sea shipping purposes only.

To tow your vehicle on the road or highway, follow the instruction of "Towing" in "EMERGENCY SERVICE" section.

⚠ WARNING

Do not use the frame hooks to tow another vehicle or to have your vehicle towed on the road or highway. The hook (2) is designed for use in emergency situations only, such as if your vehicle or another vehicle gets stuck in deep mud or snow.

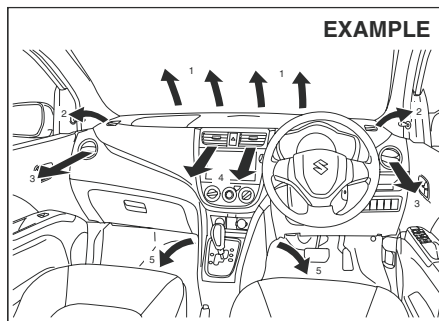
NOTICE

When you use the frame hook (2), avoid the driving that gives significant physical shock on hook. Such operation can damage the hook, the vehicle body or the drive system.

- Do not accelerate suddenly.
- Do not tow the vehicle heavier than your vehicle.

Manual Heating and Air Conditioning System (if equipped)

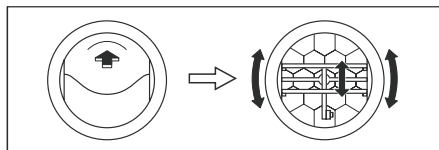
Air Outlet



76MH0A080

- 1) Windshield defroster outlet
- 2) Side defroster outlet
- 3) Side outlet
- 4) Center outlet
- 5) Front floor outlet

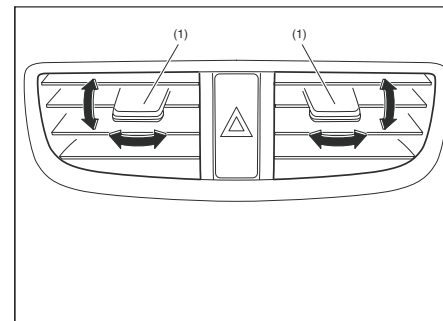
Side outlet



76MH0A118

When "Open", air comes out regardless of the air flow selector position

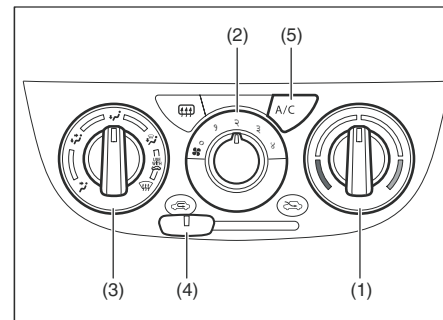
Center outlet



76MH0A081

Move the knob (1) vertically or horizontally to adjust the direction of airflow as desired.

Description of Controls



76MH0A082

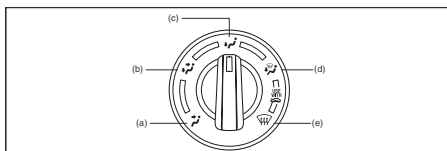
Temperature selector (1)

This is used to select the temperature by turning the selector.

Blower speed selector (2)

This is used to turn on the blower and to select blower speed by turning the selector.

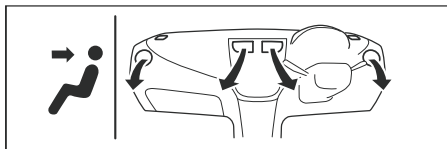
Air flow selector (3)



61MM0A019

This is used to select one of the functions described below.

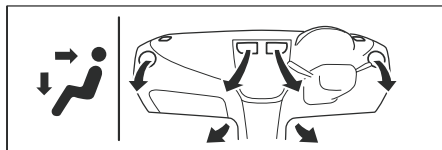
Ventilation (a)



76MH0A083

Temperature-controlled air comes out of the center and side air outlets.

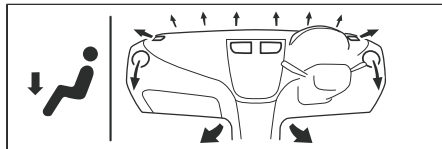
Bi-level (b)



76MH0A084

Temperature-controlled air comes out of the floor outlets and cooler air comes out of the center and side outlets. When the temperature selector (1) is in the fully COLD position or fully HOT position, however, the air from the floor outlets and the air from the center and side outlets will be the same temperature.

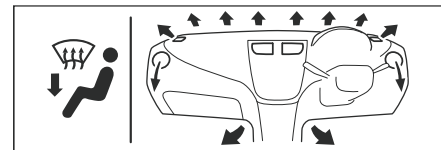
Heat (c)



76MH0A085

Temperature-controlled air comes out of the floor outlets and the side outlets, also comes out of the windshield defroster outlets and also comes slightly out of the side defroster outlets.

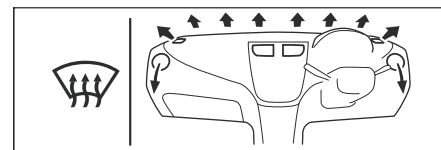
Heat & defrost (d)



76MH0A087

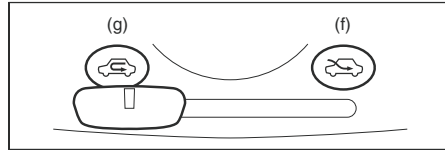
Temperature-controlled air comes out of the floor outlets, the windshield defroster outlets, the side defroster outlets and the side outlets.

Defrost (e)



76MH0A087

Temperature-controlled air comes out of the windshield defroster outlets, the side defroster outlets and the side outlets.

Air intake selector (4)

76MH0A089

This selector is used to select the following modes.

Fresh Air (f)

When this mode is selected by moving the lever to right, outside air is used.

Recirculated Air (g)

When this mode is selected by moving the lever to left, outside air is shut out and inside air is recirculated. This mode is suitable when driving through dusty or polluted air such as in a tunnel, or when attempting to quickly cool down the interior.

NOTE:

If you select "RECIRCULATED AIR" for an extended period of time, the air in the vehicle can become contaminated. Therefore, you should occasionally select "FRESH AIR".

Air conditioning switch (5)

To turn on the air conditioning system, set the blower speed selector to a position other than "OFF" and push in the "A/C" switch.

With this "A/C" switch operation, an indicator light will come on when the airconditioning system is on. To turn off the air conditioning system, push the "A/C" switch again.

During operation of the air conditioner, you may notice slight changes in engine speed. These changes are normal, the system is designed so that the compressor turns on or off to maintain the desired temperature.

Less operation of the compressor results in better fuel economy.

System Operating Instructions**Natural ventilation**

Select "VENTILATION" and "FRESH AIR", the temperature selector to the desired temperature position, and the blower speed selector to "OFF". Fresh air will flow through the vehicle during driving.

Forced ventilation

The control settings are the same as for natural ventilation except you set the blower speed selector to a position other than "OFF".

Normal heating (using outside air)

Select "HEAT" and "FRESH AIR", the temperature selector to the desired temperature position and the blower speed selector to the desired blower speed position. Setting the blower speed selector

to a higher blower speed position increases heating efficiency.

Quick heating (using recirculated air)

The control settings are the same as for normal heating except you select "RECIRCULATED AIR". If you use this heating method for an extended period of time, the air in the vehicle can become contaminated and the windows can become misty. Therefore, use this method only for quick heating and change to the normal heating method as soon as possible.

Head cooled/Feet warmed heating

Select "BI-LEVEL" and "FRESH AIR", the temperature selector to the desired temperature position, and the blower speed selector to the desired blower speed position. Unless the temperature selector is in the fully COLD position or fully HOT position, the air that comes out of the center and side outlets will be cooler than the air that comes out of the floor outlets.

Normal cooling

Set the air flow selector to "VENTILATION", the temperature selector to the desired temperature position and the blower speed selector to the desired blower speed position, and turn on the "A/C" switch. Setting the blower speed selector to a higher blower speed position increases cooling efficiency.

You can switch the air intake selector to either “FRESH AIR” or “RECIRCULATED AIR” as you desire. Choosing “RECIRCULATED AIR” increases cooling efficiency.

Quick cooling (using recirculated air)

The control settings are the same as for normal cooling except you select “RECIRCULATED AIR” and the highest blower speed.

NOTE:

- To turn on the air conditioning system, push in the “A/C” switch and set the blower speed selector to a position other than “OFF”. With this “A/C” switch operation, an indicator light will come on when the air conditioning system is on. To turn off the air conditioning system, push the “A/C” switch again.
- During operation of the air conditioner, you may notice slight changes in engine speed. These changes are normal, the system is designed so that the compressor turns on or off to maintain the desired temperature. Less operation of the compressor results in better fuel economy.

NOTE:

- If you select “RECIRCULATED AIR” for an extended period of time, the air in the vehicle can become contaminated.

Therefore, you should occasionally select “FRESH AIR”.

- *If your vehicle has been left in the sun with the windows closed, it will cool faster if you open the windows briefly while you operate the air conditioner with the air intake selector at “FRESH AIR” and the blower at high speed.*

Dehumidifying

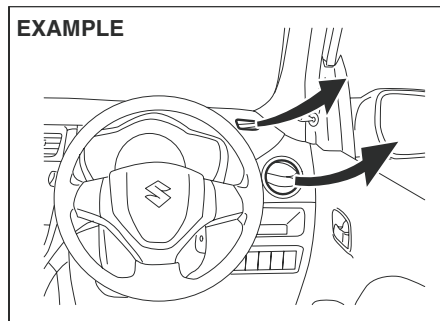
Set the air flow selector to a desired air flow selector position, the temperature selector to the desired temperature position and the blower speed selector to the desired blower speed position. Also select “FRESH AIR” and turn on the “A/C” switch.

NOTE:

Because the air conditioner dehumidifies the air, turning it on will help keep the windows clear, even when blowing heated air using the “DEFROST” or “HEAT & DEFROST” functions.

OTHER CONTROLS AND EQUIPMENT

EXAMPLE



76MH0A090

NOTE:

- *If you need maximum defrosting:*
- *set the air flow selector to “DEFROST”,*
- *set the blower speed selector to HIGH,*
- *adjust the temperature selector to the HOT end,*
- *turn on the “A/C” switch, and*
- *adjust the side outlets so the air blows on the side windows.*

Maintenance

If you do not use the air conditioner for a long period, such as during winter, it may not give the best performance when you start using it again. To help maintain optimum performance and durability of your air conditioner, it needs to be run periodically. Operate the air conditioner at least once a month for one minute with the

engine idling. This circulates the refrigerant and oil and helps protect the internal components.

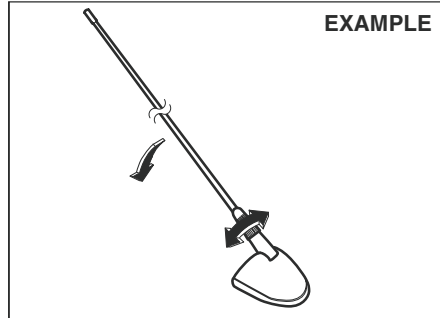
NOTE:

Your vehicle uses the air conditioning refrigerant HFC-134a, commonly called "R-134a". R-134a replaced R-12 around 1993 for automotive applications. Other refrigerants are available, including recycled R-12, but only R-134a should be used in your vehicle.garage or putting a car cover over your vehicle.

NOTICE

Using the wrong refrigerant may damage your air conditioning system. Use R-134a only. Do not mix or replace the R-134a with other refrigerants.

Radio Antenna



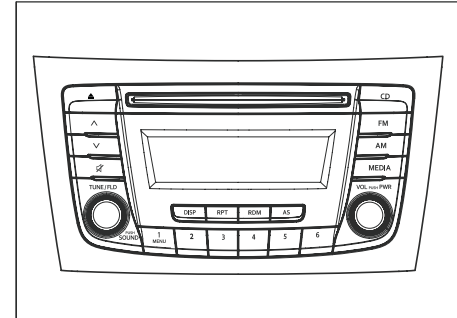
68KN028

The radio antenna on the roof is removable. To remove the antenna, turn it counter-clockwise. To reinstall the antenna, turn it clockwise firmly by hand.

NOTICE

- To avoid damage to the radio antenna:**
- Remove the antenna when using an automatic car wash.
 - Remove the antenna when the antenna hits anything such as a low ceiling in a parking garage or putting a car cover over your vehicle.

Audio System (if equipped)



76MH0A091

Safety Information

⚠ WARNING

If you pay extended attention to operating the audio system or viewing the audio system display while driving, an accident can occur. If you set the sound volume too loud, it could prevent you from being aware of road and traffic conditions.

- Keep your eyes on the road and your mind on the drive. Avoid paying extended attention to operating the audio system or viewing the audio system display.
- Familiarize yourself with the audio system controls and operation of the audio system before driving.
- Preset your favorite radio stations before driving so that you can quickly tune to them using the presets.
- Set the sound volume to a level that will allow you to continue to be aware of road and traffic conditions while driving.

Notes on Discs

Precautions

- When the inside of the vehicle is very cold and the player is used soon after switching on the heater, condensation may form on the disc or the optical parts of the player and proper playback may not be possible. If condensation forms on the disc, wipe it off with a soft cloth. If condensation forms on the optical parts of the player, do not use the player for about one hour. This will allow the condensation to disappear normally.
- Driving on extremely bumpy roads which cause severe vibrations may cause sound to skip.
- This unit uses a precision mechanism. Even in the event that trouble arises, never open the case, disassemble the unit, or lubricate the rotating parts.
- Please bring the unit to an authorized MARUTI SUZUKI dealer.

Cautions on Handling

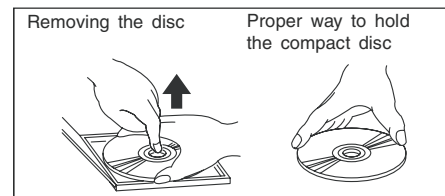


52D274

This unit has been designed specifically for

playback of compact discs bearing mark (A) shown above.

No other discs can be played.

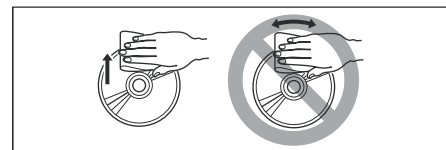


52D275

To remove the compact disc from its storage case, press down on the center of the case and lift the disc out, holding it carefully by the edges.

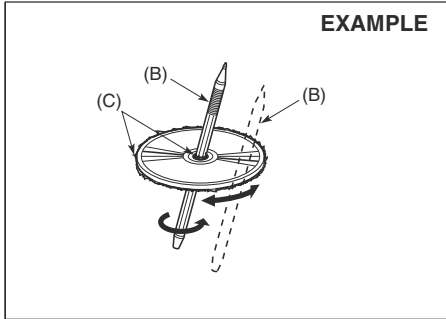
Always handle the compact disc by the edges.

Never touch the surface.



52D347

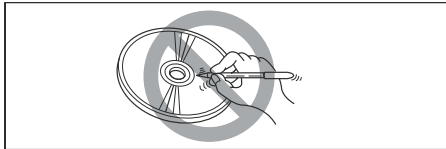
To remove fingermarks and dust, use a soft cloth, and wipe in a straight line from the center of the compact disc to the circumference.



EXAMPLE

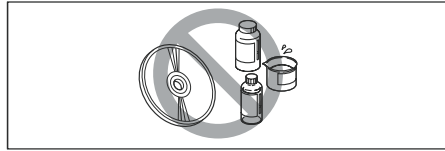
52D277

New discs may have some roughness around the edges. The unit may not work or the sound may skip if such discs are used. Use a ball-point pen (B), etc. to remove the roughness (C) from the edges of the disc before inserting it into the unit.



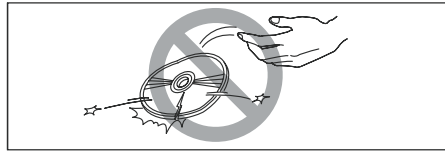
52D348

Never stick labels on the surface of the compact disc or write on the surface with a pencil or pen.



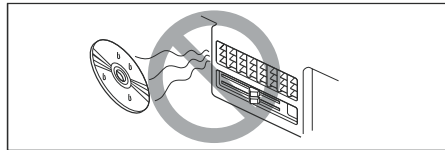
52D349

Do not use any solvents such as commercially available cleaners, anti-static spray, or thinner to clean compact discs.



52D350

Do not use compact discs that have large scratches, are misshaped, or cracked, etc. Use of such discs will cause damage or prevent the system from operating properly.



52D351

Do not expose compact discs to direct sunlight or any heat source.

NOTE:

- Do not use commercially available CD protection sheets or discs equipped with stabilizers, etc.
- These may get caught in the internal mechanism and damage the disc.
- It may be impossible to play CD-R discs with this unit due to the recording conditions.
- CD-RW discs cannot be played with this unit.

⚠ WARNING

This is a class I laser product. Use of controls or adjustments or performance of procedures other than those specified herein may result in hazardous radiation exposure.

Do not open covers and do not attempt to repair this unit by yourself. Refer servicing to qualified personnel.



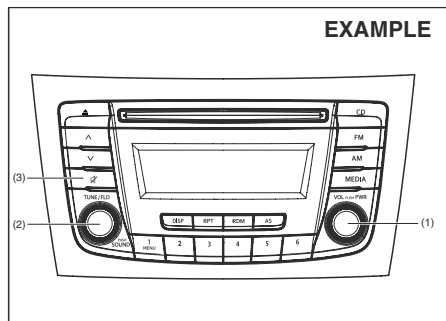
The Bluetooth® word mark and logo are registered trademarks and are owned by the Bluetooth SIG, Inc.

Stop using this unit and a Bluetooth® ready device whenever requested.

This unit shares the communication frequency with other private or public wireless communication equipment such as a wireless LAN and other wireless communication radios.

You should stop using this unit whenever you are notified that your unit disturbs other wireless communication immediately.

Basic Operations



76MH0A092

- 1) VOL PUSH POWER knob
- 2) TUNE FOLDER PUSH SOUND knob
- 3) MUTE button

Turning power on/off

Press the VOL PUSH POWER knob (1). The unit starts in the function mode it was in when the power was turned off last.

Adjusting the volume

Turn the VOL PUSH POWER knob (1). Turning it clockwise increases the volume; turning it counterclockwise decreases the volume.

NOTE:

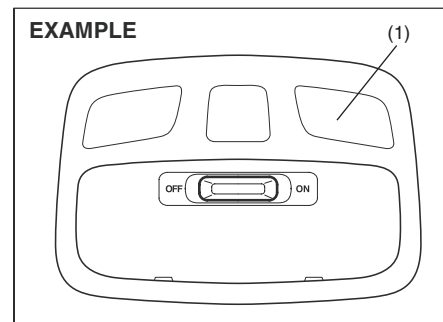
While driving, adjust the volume to an extent that sound and/or noise coming from outside the vehicle can be heard.

OTHER CONTROLS AND EQUIPMENT

Mute

Press the MUTE button (3) to mute the sound. To cancel the mute, press the MUTE button (3) again.

Bluetooth® Mic (1) (if equipped)

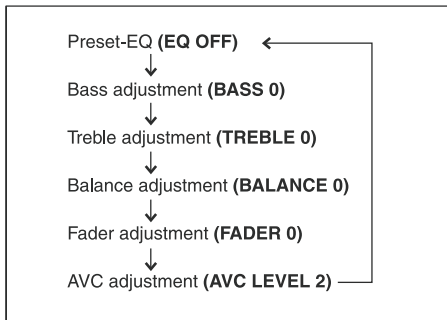


76MH0A092A

Adjusting bass/treble/balance /fader

1) Press the TUNE FOLDER PUSH SOUND knob (2).

Each time the knob is pressed, sound adjustment will change as follows:



MH0-05-001

2) Turn the TUNE FOLDER PUSH SOUND knob (2) to adjust the sound.

Adjusting the AVC (Auto volume control)

The Auto Volume Control (AVC) function automatically adjusts (increases/decreases) the sound volume in accordance with vehicle speed. The AVC control is provided with three selectable levels (LEVEL OFF, 1, 2, 3). The range of volume adjustment increases together with the LEVEL number.

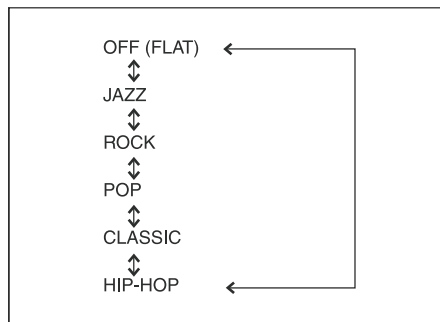
- 1) Press the TUNE FOLDER PUSH SOUND knob (2) until the AVC adjustment mode is selected.
- 2) Turn the TUNE FOLDER PUSH SOUND knob (2) to select the desired AVC adjustment level. (Initial setting: LEVEL 2)

Preset-EQ

Preset-EQ calls up various sound types in accordance with the listening music type.

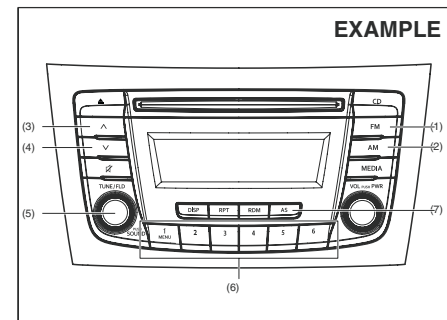
- 1) Press the TUNE FOLDER PUSH SOUND knob (2) several times until "PRESET-EQ" appears.
- 2) Turn the TUNE FOLDER PUSH SOUND knob (2).

Each time the knob is turned, preset EQ mode will change as follows:



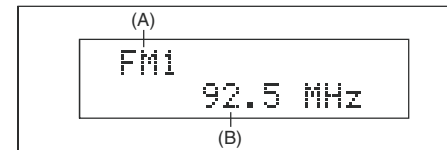
MH0-05-002

Listening to the Radio



76MH0A093

Display



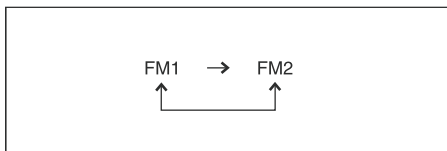
MH0-D2-01

- 1) FM button
 - 2) AM button
 - 3) Up button
 - 4) Down button
 - 5) TUNE FOLDER PUSH SOUND knob
 - 6) Preset buttons ([1] to [6])
 - 7) AS button
- A) Band
B) Frequency

Selecting the FM band

Press the FM button (1).

Each time the button is pressed, the reception band will change as follows:



MH0-05-003

Selecting the AM band

Press the AM button (2).

Seek tuning

Press the seek Up button (3) or the seek Down button (4).

The unit stops searching for a station at a frequency where a broadcast station is available.

Manual tuning

Turn the TUNE FOLDER PUSH SOUND knob (5).

The frequency being received is displayed.

Preset memory

- 1) Select the desired station.
- 2) Hold down a desired button ([1] to [6]) of the Preset buttons (6) to which you want to store the station for 2 seconds or longer.

Auto store

Hold down the AS button (7) for 2 seconds or longer.

Six stations in good reception will automatically be stored to the Preset buttons (6) in order, starting from a station whose frequency is the lowest.

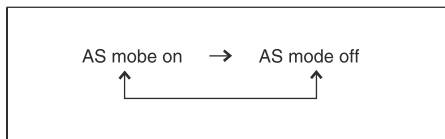
NOTE:

- Auto store can be released by pressing AS button (7) while auto store is under way.
- When the auto store is performed, the station previously stored in the memory at the position is overwritten.
- When there are fewer than 6 stations that can be stored even if 1 round of auto store operation is performed, no station will be stored at the remaining Preset buttons (6).
- 6 stations can be preset for FM1 and FM2 in common, and 6 stations for AM in auto store mode.

Auto store mode on/off

Press the AS button (7).

Each time the button is pressed, the mode is switched as follows:

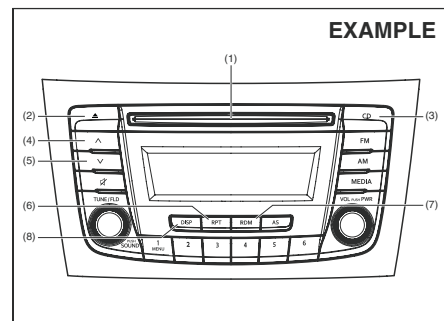


MH0-05-004

Radio Reception

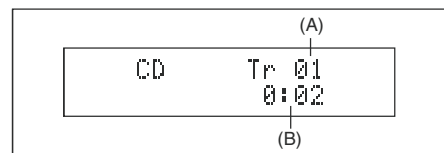
Radio reception can be affected by environment, atmospheric conditions, or radio signal's power and distance from the station. Nearby mountains and buildings may interfere or deflect radio reception, causing poor reception. Poor reception or radio static can also be caused by electric current from overhead wires or high voltage power lines.

Listening to a CD



76MH0A094

Display



MH0-D2-CD-01

7-19

- 1) Insertion slot
- 2) Eject button
- 3) CD button
- 4) Up button
- 5) Down button
- 6) RPT button
- 7) RDM button
- 8) DISP button

- A) Track number
- B) Play time

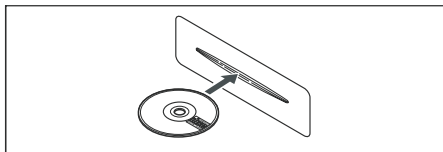
NOTE:

This product does not support 8 cm CD (sometimes called as "mini single CD", "3-inch CD", "CD3", etc.).



52D274

- CDs or CD-ROMs carrying no mark (A) cannot be used.
- Some discs recorded in CD-R/CD-RW format may sometimes be impossible to use.



52D291

- A CD is to be inserted with its label side up.
- When there is a CD already in the unit, it is impossible to insert another CD without ejecting the CD in the unit. Do not use force to insert a CD into the CD insertion slot.

NOTICE

Never insert your finger or hand into the CD insertion slot. Never insert foreign objects.

Never insert a CD with glue coming out from adhesive tape or a rental CD label or with a trace indicating that adhesive tape or a rental CD label has been removed. This may cause the CD not to eject or result in a malfunction.

Loading a CD

Insert a CD in the Insertion slot (1).

When a CD is loaded, play starts.

Ejecting a CD

Press the Eject button (2).

When the ignition mode is "LOCK", the CD remained ejected for around 15 seconds or

longer will automatically be drawn inside the unit. (Auto reload function)

The backup eject function:

This function allows you to eject a CD by pressing the Eject button (2) even when the ignition mode is off.

NOTICE

If you forcefully try to push an ejected CD inside the unit before auto reloading, the disc surface might be scratched.

When reloading a CD, remove it from the unit completely before reloading.

Listening to a CD

When a CD is inserted, playback will automatically start.

When a CD is already inside the unit, press the CD button (3) to start playback.

Selecting a track

- Press the Up button (4) to listen to the next track.
- Press the Down button (5) twice to listen to the previous track.

When the Down button (5) is pressed once, the track currently being played will start from the beginning again.

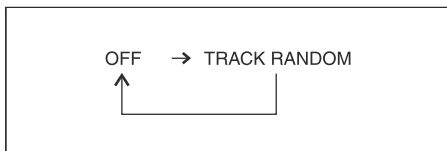
Fast forwarding/Rewinding a track

- Hold down the Up button (4) to fast forward the track.
- Hold down the Down button (5) to fast rewind the track.

Random playback

Press the RDM button (7).

Each time the button is pressed, the mode will change as follows:



MH0-05-005

- **TRACK RANDOM**

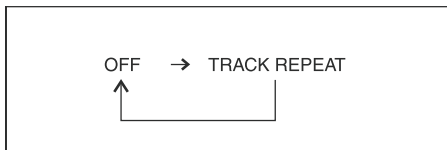
The random indicator “RDM” will light.

The tracks in the loaded disc will be played in random order.

Repeat playback

Press the RPT button (6).

Each time the button is pressed, the mode will change as follows:



MH0-05-006

- **TRACK REPEAT**

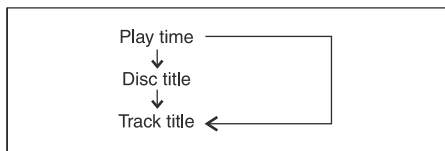
The repeat indicator “RPT” will light.

The track currently being played will be played repeatedly.

Display change

Press the DISP button (8).

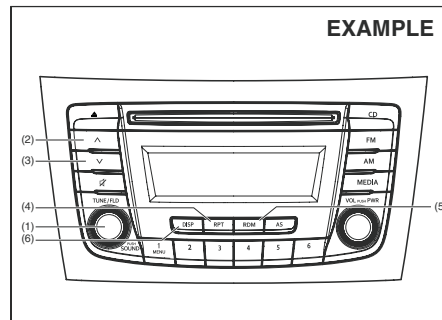
Each time the button is pressed, display will change as follows:



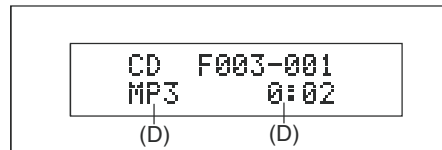
MH0-05-007

NOTE:

- “NO TITLE” will be displayed when there is no text information in the disc currently being played.
- If text data contains more than 12 characters, the “>” mark will appear at the right end. Holding down the DISP button (8) for 1 second or longer can display the next page.

Listening to an MP3/WMA/AAC Disc**EXAMPLE**

76MH0A095

Display

MH0-CDC-01

- 1) TUNE FOLDER PUSH SOUND knob
 - 2) Up button
 - 3) Down button
 - 4) RPT button
 - 5) RDM button
 - 6) DISP button
- A) Folder number
 - B) Track number
 - C) Play time
 - D) DISC type

Selecting a folder

Turn the TUNE FOLDER PUSH SOUND knob (1) to select a folder.

Selecting a track

- Press the Up button (2) to listen to the next track.
- Press the Down button (3) twice to listen to the previous track.

When the Down button (3) is pressed once, the track currently being played will start from the beginning again.

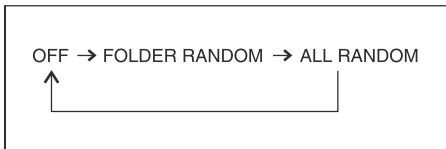
Fast forwarding/Rewinding a track

- Hold down the Up button (2) to fast forward the track.
- Hold down the Down button (3) to fast rewind the track.

Random playback

Press the RDM button (5).

Each time the button is pressed, the mode will change as follows:



MH0-05-008

- FOLDER RANDOM
The random indicator “RDM.F” will light. The tracks in the current folder will be played in random order.

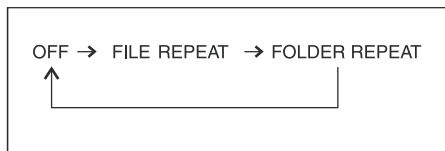
- ALL RANDOM

The random indicator “RDM” will light. The tracks in the loaded disc will be played in random order.

Repeat playback

Press the RPT button (4).

Each time the button is pressed, the mode will change as follows:



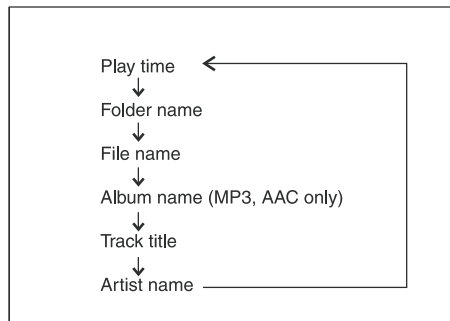
MH0-05-009

- FILE REPEAT
The repeat indicator “RPT” will light. The track currently being played will be played repeatedly.
- FOLDER REPEAT
The repeat indicator “RPT.F” will light. All tracks in the currently selected folder will be played repeatedly.

Display change

Press the DISP button (6).

Each time the button is pressed, display will change as follows:



MH0-05-010

NOTE:

- “NO TITLE” will be displayed when there is no text information in the disc currently being played.
- If text data contains more than 12 characters, the “>” mark will appear at the right end. Holding down the DISP button (6) for 1 second or longer can display the next page.

Notes on MP3/WMA/AAC

What is MP3?

- MP3 (MPEG audio layer3) is an audio compression format that has become the standard format among PC users. Its merit is that the original audio data is compressed to approximately 1/10 and high sound quality is maintained. This means that it is possible to store the data of approximately 10 music CDs on a single CD-R/RW disc, which in turn makes it possible to play music for a long time without having to change the disc.

What is WMA?

- An abbreviation of "Windows Media Audio," WMA is an audio compression format developed by Microsoft.
- WMA files for which the DRM (Digital Rights Management) function is ON cannot be played.
- Windows Media™ and the Windows® logo are trademarks or registered trademarks of Microsoft Corporation in the United States and other countries.

What is AAC?

- An abbreviation of "Advanced Audio Coding," AAC is an audio compression format used by MPEG2 and MPEG4.

Points to remember when making MP3/WMA/AAC files

Common

- High bit rate and high sampling frequency are recommended for high quality sounds.
- Selecting VBR (Variable Bit Rate) is not recommended. Selecting VBR may cause display of incorrect playing time and jumpiness of playback.
- Playback sound quality varies depending on the encoding environment. For details, refer to the user manual of the encoding software and the writing software in use.

NOTICE

Never assign the ".mp3", ".wma", or ".m4a" file name extension to a file if it is not in the MP3/WMA/AAC format file. Failure to observe this may result in damage to the speaker due to noise production.

Recording MP3/WMA/AAC files on a CD media

- It is recommended not to write both CD-DA files and MP3/WMA/AAC files on a disc.
- If both CD-DA files and MP3/WMA/AAC files are on the same disc, tracks may not be played in the correct order or some tracks may not be played at all.
- When storing both MP3 data and WMA

data on the same disc, sort and place them in different folders.

- Do not write files other than MP3/WMA/AAC files and unnecessary folders on a disc.
- MP3/WMA/AAC files should be named to meet the standards and the file system specifications as shown below.
- The file extension ".mp3", ".wma" or ".m4a" should be assigned to files based on their format independently.
- You may encounter a trouble in playing MP3/WMA/AAC files or displaying information of MP3/WMA/AAC files depending on the writing software or CD recorder in use.
- This unit does not have a play list function.
- It is recommended to write discs in Disc-at-Once mode even though Multi-session mode is supported.

Compression formats

MP3

- Bit rate:
 - MPEG1 Audio Layer III: 32 k - 320 kbps
 - MPEG2 Audio Layer III: 8 k - 160 kbps
 - MPEG2.5 Audio Layer III: 8 k - 160 kbps
- Sampling frequency:
 - MPEG1 Audio Layer III: 32 k/44.1 k/48 kHz
 - MPEG2 Audio Layer III: 16 k/22.05 k/24 kHz
 - MPEG2.5 Audio Layer III: 8 k/11.025 k/12 kHz

WMA (Ver. 7, Ver. 8, Ver. 9*)

- Bit rate: CBR 32 k - 320 kbps
- Sampling frequency: 32 k/44.1 k/48 kHz

* WMA 9 Professional/LossLess/Voice are not supported.

AAC*

- Bit rate: ABR 16k - 320 kbps
- Sampling frequency: 32 k/44.1 k/48 kHz

* Apple Lossless is not supported.

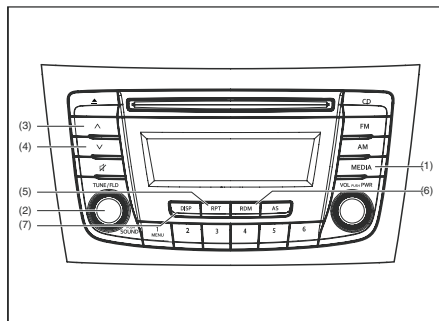
Supported file systems

ISO 9660 Level 1/Level 2, Joliet, Romeo

Maximum number of files/folders

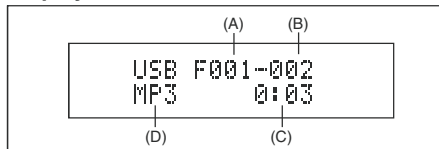
- Maximum number of files: 512
- Maximum number of files in a folder: 512
- Maximum depth of tree structure: 8
- Maximum number of folders: 255
(Root folder is included.)

Listening to files stored in a USB device



MH0-07-014

Display



MH0-D2-001

- 1) MEDIA button
- 2) TUNE FOLDER PUSH SOUND knob
- 3) Up button
- 4) Down button
- 5) RPT button
- 6) RDM button
- 7) DISP button

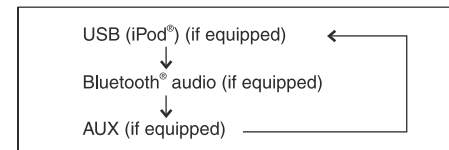
- A) Folder number
- B) Track number
- C) Play time
- D) File type

NOTICE

Do not connect any USB device other than a USB memory or a USB audio player. Do not connect multiple USB devices to the USB connector using a USB hub, etc. Supplying power to multiple USB devices from the connector could cause overheating and smoking.

Selecting a USB device mode

Press the MEDIA button (1). Each time the button is pressed, the mode will change as follows:



MH0-05-011

Selecting a folder

Turn the TUNE FOLDER PUSH SOUND knob (2) to select the desired folder.

Selecting a track

- Press the Up button (3) to listen to the next track.

- Press the Down button (4) twice to listen to the previous track.
When the Down button (4) is pressed once, the track currently being played will start from the beginning again.

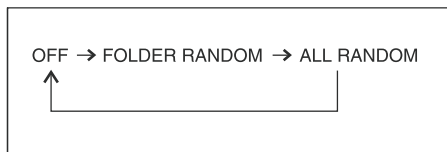
Fast forwarding/Rewinding a track

- Hold down the Up button (3) to fast forward the track.
- Hold down the Down button (4) to fast rewind the track.

Random playback

Press the RDM button (6).

Each time the button is pressed, the mode will change as follows:



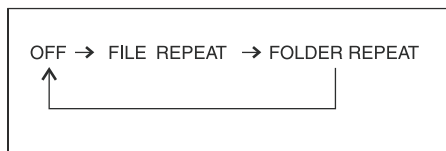
MH0-05-008

- FOLDER RANDOM**
The random indicator “RDM.F” will light. The tracks in the currently selected folder will be played in random order.
- ALL RANDOM**
The random indicator “RDM” will light. The tracks in the connected USB device will be played in random order.

Repeat playback

Press the RPT button (5).

Each time the button is pressed, the mode will change as follows:



MH0-05-009

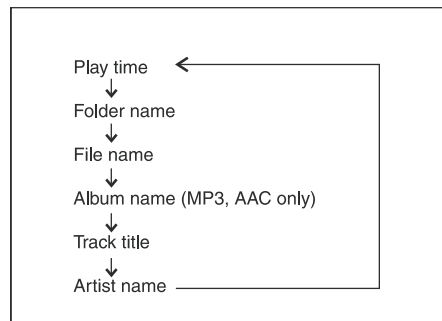
- FILE REPEAT**
The repeat indicator “RPT” will light. The track currently being played will be played repeatedly.
- FOLDER REPEAT**
The repeat indicator “RPT.F” will light. All the tracks in the folder currently selected will be played repeatedly.

Display change

Press the DISP button (7).

Each time the button is pressed, display will change as follows:

OTHER CONTROLS AND EQUIPMENT



MH0-05-010

NOTE:

- “NO TITLE” will be displayed when there is no text information in the disc currently being played.
- If text data contains more than 12 characters, the “>” mark will appear at the right end. Holding down the DISP button (7) for 1 second or longer can display the next page.

Notes on USB device

Compatible USB devices

- USB Mass Storage Class**
For details as to whether your USB memory/USB Audio is compatible with USB Mass Storage Class, please contact the USB memory/USB Audio manufacturer.

- USB Standard Compatibility 1.1/2.0 Full Speed
- File System FAT12/16/32, VFAT
- Maximum current less than 1.0 A
- If devices such as USB hub, extension cable are connected to the audio system, it may not be recognized. In such case connect the USB device directly to the audio system.
- Devices such as MP3 player/Mobile phone/digital camera may not be recognized by the audio system for playing music.

USB device connection

- When connecting a USB device, make sure that the connector is pushed all the way into the port.
- Do not leave the USB device for long periods of time in places inside the vehicle where the temperature can rise too high.
- Back up any important data beforehand. We cannot accept responsibility for any lost data.
- It is recommended not to connect a USB device that contains data files other than MP3/WMA/AAC format.

Recording MP3/WMA/AAC files on a USB device

- Playback or display may not be possible depending on the type of USB device in use or the condition of the recording.
- Depending on the connected USB memory, the files may be played in different order from the order that the files were stored.

Compression formats

MP3

- Bit rate:
 - MPEG1 Audio Layer III: 32 k - 320 kbps
 - MPEG2 Audio Layer III: 8 k - 160 kbps
 - MPEG2.5 Audio Layer III: 8 k - 160 kbps
- Sampling frequency:
 - MPEG1 Audio Layer III: 32 k/44.1 k/48 kHz
 - MPEG2 Audio Layer III: 16 k/22.05 k/24 kHz
 - MPEG2.5 Audio Layer III: 8 k/11.025 k/12 kHz

WMA (Ver. 7, Ver. 8, Ver. 9*)

- Bit rate: CBR 32 k -320 kbps
- Sampling frequency: 32 k/44.1 k/48 kHz
- * WMA 9 Professional/LossLess/Voice are not supported.

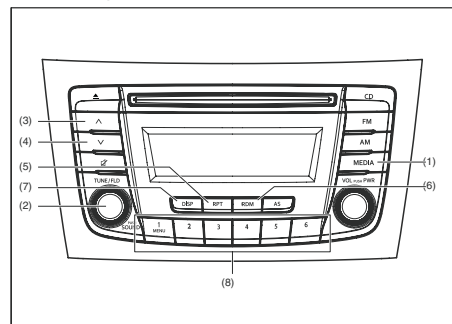
AAC*

- Bit rate: ABR 16k - 320 kbbs
- Sampling frequency: 32 k/44.1 k/48 kHz
- * Apple Lossless is not supported.

Maximum number of files/folders

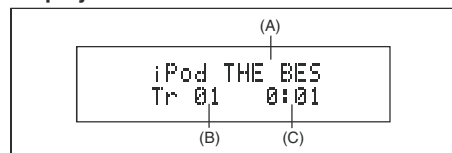
- Maximum number of files: 2500
- Maximum number of files in a folder: 255
- Maximum depth of tree structure: 8
- Maximum number of folders: 255 (Root folder is included.)

Listening to an iPod®



76MH0A098

Display



MH0-D2-IPOD-001

- 1) MEDIA button
- 2) TUNE FOLDER PUSH SOUND knob
- 3) Up button
- 4) Down button

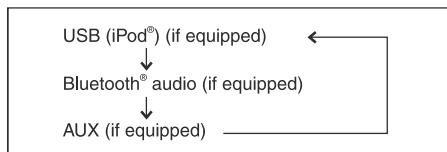
- 5) RPT button
- 6) RDM button
- 7) DISP button
- 8) Preset buttons ([1] to [6])

- A) Track title
- B) Track number
- C) Play time

Selecting an iPod® mode

Press the MEDIA button (1).

Each time the button is pressed, the mode will change as follows:



MH0-05-011

Selecting a track

- Press the Up button (3) to listen to the next track.
- Press the Down button (4) twice to listen to the previous track.

When the Down button (4) is pressed once, the track currently being played will start from the beginning again.

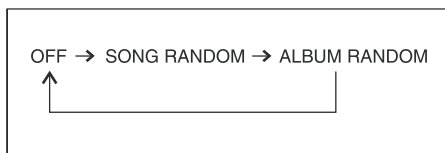
Fast forwarding/Rewinding a track

- Hold down the Up button (3) to fast forward the track.
- Hold down the Down button (4) to fast rewind the track.

Random playback

Press the RDM button (6).

Each time the button is pressed, the mode will change as follows:



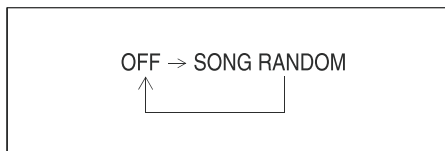
MH0-05-012

- **SONG RANDOM**
The random indicator “RDM” will light. The tracks in the iPod® will be played in random order.
- **ALBUM RANDOM**
The random indicator “D.RDM” will light. The albums in the iPod® will be played in random order.

Repeat playback

Press the RPT button (5).

Each time the button is pressed, the mode will change as follows:



MH0-05-013

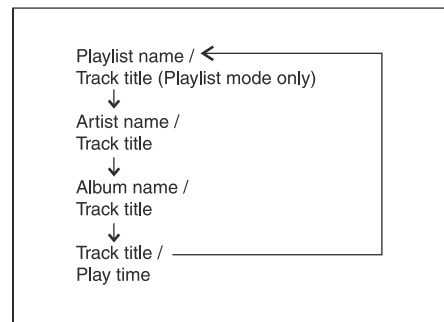
OTHER CONTROLS AND EQUIPMENT

- **SONG REPEAT**
The repeat indicator “RPT” will light. The track currently being played will be played repeatedly.

Display change

Press the DISP button (7).

Each time the button is pressed, display will change as follows:



MH0-05-014

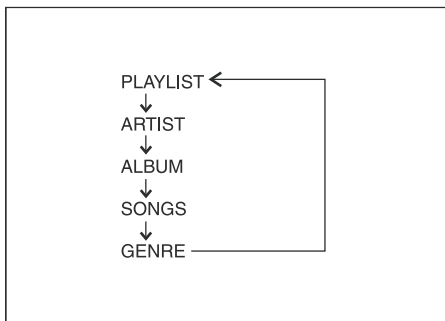
NOTE:

If text data contains more than 12 characters, the “>” mark will appear at the right end. Holding down the DISP button (7) for 1 second or longer can display the next page.

Playing Mode selection

- 1) Press the button numbered [6] of the Preset buttons (8) for 1 second or longer.
- 2) Turn the TUNE FOLDER PUSH SOUND knob (2).

Each time the knob is turned, the mode will change as follows:



MH0-05-015

- 3) Press the TUNE FOLDER PUSH SOUND knob (2) to select the desired mode.

NOTE:

- When the button numbered [6] of the Preset buttons (8) is pressed, the previous mode will be displayed.

Notes on iPod®

Supported iPod®

- iPod® touch (5th generation)
- iPod® touch (4rd generation)

- iPod® touch (3rd generation)
- iPod® touch (2nd generation)
- iPod® touch (1st generation)
- iPod® classic
- iPod® nano (7th generation)
- iPod® nano (6th generation)
- iPod® nano (5th generation)
- iPod® nano (4th generation)
- iPod® nano (3rd generation)
- iPod® nano (2nd generation)
- iPod® nano (1st generation)
- iPod® (5th generation)
- iPhone® 5
- iPhone® 4S
- iPhone® 4
- iPhone® 3GS
- iPhone® 3G
- iPhone®

- * Some functions may not be available depending on the model of iPod®.
- * iPod® is a trademark of Apple Inc., registered in the U.S. and other countries.
- * iPhone® is a trademark of Apple Inc., registered in the U.S. and other countries.
- * Apple is not responsible for the operation of this device or its compliance with safety and regulatory standards.

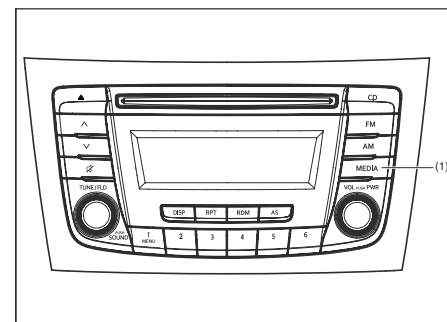
iPod® connection

- Make sure to detach the iPod® after pressing the engine switch to change the ignition mode to LOCK. The iPod® may

not be shut down when it is being connected and may result in battery depletion.

- Please do not connect iPod® accessories such as an iPod® remote control or headphones while connecting the iPod® with the unit. The unit may not operate correctly.

AUX Function



76MH0A100

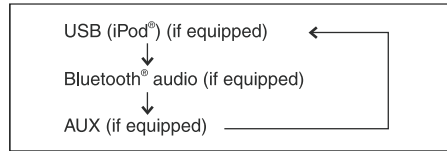
- 1) MEDIA button

AUX connection

To listen to auxiliary audio sources (sold separately) through the unit, follow the instruction below.

- 1) Connect the auxiliary audio source to the AUX/USB socket (separately attached) with an AUX cable.

- 2) Press the MEDIA button (1).
Each time the button is pressed, the mode will change as follows:



MH0-05-011

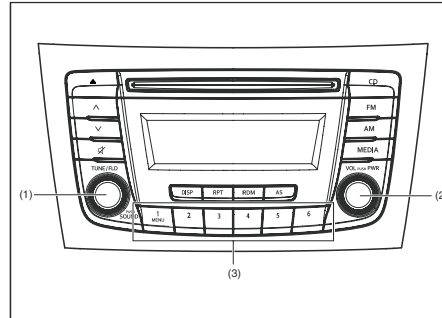
⚠ CAUTION

- Before connection, mute the unit, and also keep the volume of the auxiliary audio source within a range that will not cause distortion.
- When the audio source is turned off, noise may be emitted. Be sure to turn off the unit or switch to another mode before turning off the audio source.

NOTE:

- Please consult your place of purchase for details about whether a given auxiliary audio source can be connected and the proper auxiliary cord to use.
- The volume and tone controls of the auxiliary audio source can be adjusted on the unit.
- In AUX mode, the volume setting is different from another mode.

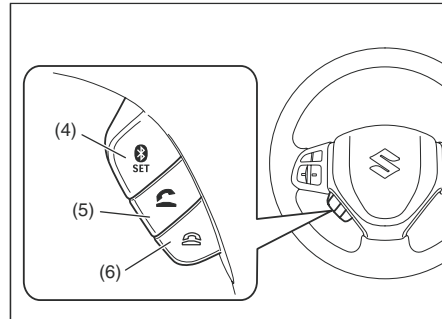
Bluetooth® Hands-Free (if equipped)



76MH0A102

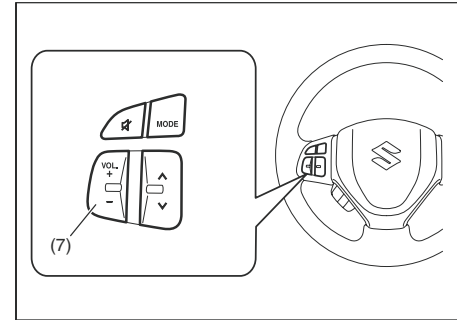
- 1) TUNE FOLDER PUSH SOUND knob
- 2) VOL PUSH POWER knob
- 3) Preset buttons

Steering switch



76MH0A140

OTHER CONTROLS AND EQUIPMENT



76MH0A132

- 4) Bluetooth® setup button
- 5) Off Hook button
- 6) On Hook button
- 7) VOL switch

Phone registration

To use the hands-free function with this unit, it required to register the phone in advance.

NOTE:

- Up to 5 phones can be registered.
- To set up a new phone, disconnect the audio player from the unit. Connect the audio player again after phone setup is completed if necessary.
- When failed to establish the pairing within 120 seconds, the connecting operation will be canceled. Please try

again or refer to the manual of the phone in use for how to establish the pairing with the phone.

- 1) Press the Bluetooth® setup button (4). The Bluetooth® setup menu will be displayed.
- 2) Turn the TUNE FOLDER PUSH SOUND knob (1) to select “Setup Bluetooth”, and press the knob (1) to determine the selection.
- 3) Turn the TUNE FOLDER PUSH SOUND knob (1) to select “Pairing”, and press the knob (1) to determine the selection.
- 4) Select “CAR AUDIO” from the Bluetooth® menu of the phone and establish the pairing.
Refer to the manual of the phone in use for further information.
- 5) Enter the Passkey displayed on the unit to the phone.
- 6) Press the On Hook button (6).

NOTE:

- *When selecting “Go Back”, the previous menu will be displayed.*
- *When additionally registering a phone, operate the same step from 1).*

Receiving a call

Press the Off Hook button (5) to receive a call.

Ending a call

Press the On Hook button (6) to end a call.

7-30

Rejecting a call (only for supported models)

Press the On Hook button (6) to reject a incoming call.

Adjusting the listening volume

- Turn the VOL PUSH POWER knob (2) during a call.
Turning it clockwise increases the volume; turning it counterclockwise decreases the volume.
- Press the VOL switch (7) during a call. Pressing “+” of the switch increases the volume, pressing “-” of the switch decreases the volume.

Adjusting the ring volume

- Turn the VOL PUSH POWER knob (2) while a call coming in.
Turning it clockwise increases the volume; turning it counterclockwise decreases the volume.
- Press the VOL switch (7) during a call. Pressing “+” of the switch increases the volume, pressing “-” of the switch decreases the volume.

Adjusting the call or ringtone volume

Follow the instructions below to adjust the call or ringtone volume.

- 1) Press the Bluetooth® setup button (4). The Bluetooth® setup menu will be displayed.

- 2) Turn the TUNE FOLDER PUSH SOUND knob (1) to select “Setup Telephone”, and press the knob (1) to determine the selection.
- 3) Turn the TUNE FOLDER PUSH SOUND knob (1) to select “Sound Setting”, and press the knob (1) to determine the selection.
- 4) Turn the TUNE FOLDER PUSH SOUND knob (1) to select “Call Volume” or “Ringtone Volume”, and press the knob (1) to determine the selection.
The current call or ringtone volume will be displayed.
- 5) Turn the TUNE FOLDER PUSH SOUND knob (1) to select desired call or ringtone volume, and press the knob (1) to determine the selection.

NOTE:

When selecting “Go Back”, the previous menu will be displayed.

Selecting the Ringtone

Follow the instructions below to select a ringtone.

- 1) Press the Bluetooth® setup button (4). The Bluetooth® setup menu will be displayed.
- 2) Turn the TUNE FOLDER PUSH SOUND knob (1) to select “Setup Telephone”, and press the knob (1) to determine the selection.

- 3) Turn the TUNE FOLDER PUSH SOUND knob (1) to select “Sound Setting”, and press the knob (1) to determine the selection.
- 4) Turn the TUNE FOLDER PUSH SOUND knob (1) to select “Ringtone”, and press the knob (1) to determine the selection. The current ringtone will be sounded.
- 5) Turn the TUNE FOLDER PUSH SOUND knob (1) to select desired ringtone, and press the knob (1) to determine the selection.

NOTE:

When selecting “Go Back”, the previous menu will be displayed.

Dialing using Missed/Incoming/Outgoing Calls

Follow the instructions below to dial to the last dialed number again.

NOTE:

Up to 10 phone numbers of the latest calls can be stored. (10 each for dialed, received and missed calls)

- 1) Press the Off Hook button (5).
The Bluetooth® phonebook menu will be displayed.
- 2) Turn the TUNE FOLDER PUSH SOUND knob (1) to select “Missed Calls”, “Incoming Calls” or “Outgoing Calls”, and press the knob (1) to determine the selection.

To dial from the dialed history or the received history, select “Missed Calls”, “Incoming Calls” or “Outgoing Calls” respectively.

- 3) Turn the TUNE FOLDER PUSH SOUND knob (1) to select the desired number, and press the knob (1) to determine the selection.
- 4) Turn the TUNE FOLDER PUSH SOUND knob (1) to select “Dial”, and press the knob (1) or the Off Hook button (5) to dial to the selected number.

NOTE:

- *When selecting “Go Back”, the previous menu will be displayed.*
- *Pressing “Confirm” after selecting “Add Speed Dial” can register the selected number in the speed dial.*
- *Pressing “Confirm” after selecting “Delete” can delete the selected number from the call history.*

Deletion of call history

Follow the instructions below to delete a missed/incoming/outgoing call history.

- 1) Press the Bluetooth® setup button (4).
The Bluetooth® setup menu will be displayed.
- 2) Turn the TUNE FOLDER PUSH SOUND knob (1) to select “Setup Phonebook”, and press the knob (1) to determine the selection.

- 3) Turn the TUNE FOLDER PUSH SOUND knob (1) to select “Delete History”, and press the knob (1) to determine the selection.
- 4) Turn the TUNE FOLDER PUSH SOUND knob (1) to select “Missed Calls”, “Incoming Calls”, or “Outgoing Calls”, and press the knob (1) to determine the selection.
- 5) Turn the TUNE FOLDER PUSH SOUND knob (1) to select a number to be deleted or “ALL”, and press the knob (1) to determine the selection.
- 6) Turn the TUNE FOLDER PUSH SOUND knob (1) to select “Delete?” or “Delete All?”, and press the knob (1) to determine the selection.
- 7) Turn the TUNE FOLDER PUSH SOUND knob (1) to select “Confirm”, and press the knob (1) to complete the deletion.

NOTE:

When selecting “Go Back”, the previous menu will be displayed.

Registration in Phonebook

Registration of numbers in the phonebook. Follow the instructions below to register phone numbers in the Phonebook of the unit.

- 1) Press the Bluetooth® setup button (4).
The Bluetooth® setup menu will be displayed.

- 2) Turn the TUNE FOLDER PUSH SOUND knob (1) to select "Setup Telephone", and press the knob (1) to determine the selection.
- 3) Turn the TUNE FOLDER PUSH SOUND knob (1) to select "Setup Phonebook", and press the knob (1) to determine the selection.
- 4) Turn the TUNE FOLDER PUSH SOUND knob (1) to select "Add Contacts", and press the knob (1) to determine the selection.
- 5) Turn the TUNE FOLDER PUSH SOUND knob (1) to select "Overwrite All" or "Add One Contact", and press the knob (1) to determine the selection.
The "Rest of Memory XXXX: Ok?" will be displayed.
- 6) Press or turn the TUNE FOLDER PUSH SOUND knob (1) to select "Confirm", and press the knob (1) to determine the selection.
- 7) Transfer contacts from the phone.
When the registration is completed, the "Setup Phonebook" will be displayed.

NOTE:

- When selecting "Go Back" the previous menu will be displayed.
- Up to 1000 numbers can be registered in Phonebook.

Transfer of call history (Call History)

Follow the instructions below to transfer call history of the registered phone.

- 1) Press the Bluetooth® setup button (4).
The Bluetooth® setup menu will be displayed.
- 2) Turn the TUNE FOLDER PUSH SOUND knob (1) to select "Setup Telephone", and press the knob (1) to determine the selection.
- 3) Turn the TUNE FOLDER PUSH SOUND knob (1) to select "Call History", and press the knob (1) to determine the selection.
- 4) Turn the TUNE FOLDER PUSH SOUND knob (1) to select "Call History?", and press the knob (1) to determine the selection.
- 5) Turn the TUNE FOLDER PUSH SOUND knob (1) to select "Confirm", and press the knob (1) to transfer the call history from the phone.

NOTE:

When selecting "Go Back", the previous menu will be displayed.

Making a call by Phonebook

Follow the instructions below to dial a number registered in Phonebook.

- 1) Press the Off Hook button (5).
The Bluetooth® phonebook menu will be displayed.

- 2) Turn the TUNE FOLDER PUSH SOUND knob (1) to select "Phonebook", and press the knob (1) to determine the selection.
- 3) Turn the TUNE FOLDER PUSH SOUND knob (1) to select the initial of the name you would like to make a call, and press the knob (1) to determine the selection.
The registered numbers will be displayed in sequence. If names have been registered together with numbers, the names will be displayed.
- 4) Turn the TUNE FOLDER PUSH SOUND knob (1) to select "Dial", and press the knob (1) to determine the selection.
- 5) Press the Off Hook button (5).
The displayed number or the number registered with the displayed name will be dialed.

Deletion of registered data (Delete Entry)

Follow the instructions below to delete a number registered in Phonebook.

- 1) Press the Bluetooth® setup button (4).
The Bluetooth® setup menu will be displayed.
- 2) Turn the TUNE FOLDER PUSH SOUND knob (1) to select "Setup Telephone", and press the knob (1) to determine the selection.

- 3) Turn the TUNE FOLDER PUSH SOUND knob (1) to select "Setup Phonebook", and press the knob (1) to determine the selection.
- 4) Turn the TUNE FOLDER PUSH SOUND knob (1) to select "Delete Contacts", and press the knob (1) to determine the selection.
- 5) Turn the TUNE FOLDER PUSH SOUND knob (1) to select a number to be deleted, and press the knob (1) to determine the selection.
- 6) Turn the TUNE FOLDER PUSH SOUND knob (1) to select "Delete?", and press the knob (1) to determine the selection.
- 7) Turn the TUNE FOLDER PUSH SOUND knob (1) to select "Confirm", and press the knob (1) to complete the deletion.

NOTE:

When selecting "Go Back", the previous menu will be displayed.

Registration in speed dial

Follow the instructions below to assign a number to one of the Preset buttons to use as the speed dial.

- 1) Press the Bluetooth® setup button (4). The Bluetooth® setup menu will be displayed.
- 2) Turn the TUNE FOLDER PUSH SOUND knob (1) to select "Setup Telephone", and press the knob (1) to determine the selection.

- 3) Turn the TUNE FOLDER PUSH SOUND knob (1) to select "Setup Phonebook", and press the knob (1) to determine the selection.
- 4) Turn the TUNE FOLDER PUSH SOUND knob (1) to select "Add Speed Dial", and press the knob (1) to determine the selection.
- 5) Turn the TUNE FOLDER PUSH SOUND knob (1) to select a number to be assigned, and press the knob (1) to determine the selection.
- 6) Turn the TUNE FOLDER PUSH SOUND knob (1) to select "Choose Preset", and press the knob (1) to determine the selection.
- 7) Press one of the Preset buttons (3) to which the selected number is to be assigned. If a number is already assigned to the selected button, a confirmation message will be displayed. Turn the TUNE FOLDER PUSH SOUND knob (1) to select "Confirm", and press the knob (1) to complete the assignment. When the assignment is completed, the "Setup Phonebook" will be displayed.

NOTE:

When selecting "Go Back", the previous menu will be displayed.

One-touch call (Speed dial)

Follow the instructions below to dial the

number assigned to each of the Preset buttons (3).

- 1) Press the Off Hook button (5). The Bluetooth® phonebook menu will be displayed.
- 2) Turn the TUNE FOLDER PUSH SOUND knob (1) to select "Speed Dials", and press the knob (1) to determine the selection.
- 3) Press one of the Preset buttons (3). When no number is assigned, "No Entry" is displayed.
- 4) Press the Off Hook button (5). The selected number will be dialed.

Deletion of speed dial (Del Speed Dial)

To delete a number assigned for the speed dial, follow the instructions below.

- 1) Press the Off Hook button (5). The Bluetooth® phonebook menu will be displayed.
- 2) Turn the TUNE FOLDER PUSH SOUND knob (1) to select "Speed Dials", and press the knob (1) to determine the selection.
- 3) Press one of the Preset buttons (3) to which the number to be deleted is assigned. "No Entry" appears if the number is not registered.
- 4) Turn the TUNE FOLDER PUSH SOUND knob (1) to select "Delete", and press the knob (1) to determine the selection.

- 5) Turn the TUNE FOLDER PUSH SOUND knob (1) to select “Del Speed Dial”, and press the knob (1) to determine the selection.
- 6) Turn the TUNE FOLDER PUSH SOUND knob (1) to select “Confirm”, and press the knob (1) to complete the deletion.

NOTE:

When selecting “Go Back”, the previous menu will be displayed.

Display of device data (Device Name)

Follow the instructions below to display the BD (Bluetooth® Device) address and device name.

- 1) Press the Bluetooth® setup button (4). The Bluetooth® setup menu will be displayed.
- 2) Turn the TUNE FOLDER PUSH SOUND knob (1) to select “Setup Bluetooth”, and press the knob (1) to determine the selection.
- 3) Turn the TUNE FOLDER PUSH SOUND knob (1) to select “Bluetooth Info”, and press the knob (1) to determine the selection.
- 4) Turn the TUNE FOLDER PUSH SOUND knob (1) to select “Device Name” or “Device Address”, and press the knob (1) to display the device name or the BD (Bluetooth® Device) address.

NOTE:

When selecting “Go Back”, the previous menu will be displayed.

Reset to the factory defaults

Follow the instructions below to reset all the settings to the factory defaults.

- 1) Press the Bluetooth® setup button (4). The Bluetooth® setup menu will be displayed.
- 2) Turn the TUNE FOLDER PUSH SOUND knob (1) to select “Setup Bluetooth”, and press the knob (1) to determine the selection.
- 3) Turn the TUNE FOLDER PUSH SOUND knob (1) to select “Initialize”, and press the knob (1) to determine the selection.
- 4) Turn the TUNE FOLDER PUSH SOUND knob (1) to select “All Initialize”, and press the knob (1) to determine the selection.
- 5) Turn the TUNE FOLDER PUSH SOUND knob (1) to select “Confirm”, and press the knob (1) to start the reset.

NOTE:

When selecting “Go Back”, the previous menu will be displayed.

Selection of phone (Select Phone)

Follow the instructions below to select a phone to be paired with from the registered phones.

- 1) Press the Bluetooth® setup button (4). The Bluetooth® setup menu will be displayed.
- 2) Turn the TUNE FOLDER PUSH SOUND knob (1) to select “Setup Bluetooth”, and press the knob (1) to determine the selection.
- 3) Turn the TUNE FOLDER PUSH SOUND knob (1) to select “List Phone”, and press the knob (1) to determine the selection.
- 4) Turn the TUNE FOLDER PUSH SOUND knob (1) to select a phone to be paired with, and press the knob (1) to determine the selection.
- 5) Turn the TUNE FOLDER PUSH SOUND knob (1) to select “Select”, and press the knob (1) to determine the selection.

NOTE:

- *When selecting “Go Back”, the previous menu will be displayed.*
- *The Bluetooth® ready audio device will be disconnected when the phone is selected.*

List of phones (List Phones)

Follow the instructions below to display the names of the registered phones in sequence.

- 1) Press the Bluetooth® setup button (4). The Bluetooth® setup menu will be displayed.

- 2) Turn the TUNE FOLDER PUSH SOUND knob (1) to select "Setup Bluetooth", and press the knob (1) to determine the selection.
- 3) Turn the TUNE FOLDER PUSH SOUND knob (1) to select "List Phone", and press the knob (1) to determine the selection.
- 4) The names of the registered phones are displayed in sequence.

NOTE:

When selecting "Go Back", the previous menu will be displayed.

Passkey setting (Set Passkey)

Follow the instructions below to set the security number (Passkey).

- 1) Press the Bluetooth® setup button (4). The Bluetooth® setup menu will be displayed.
- 2) Turn the TUNE FOLDER PUSH SOUND knob (1) to select "Setup Bluetooth", and press the knob (1) to determine the selection.
- 3) Turn the TUNE FOLDER PUSH SOUND knob (1) to select "Passkey", and press the knob (1) to determine the selection.
- 4) Turn the TUNE FOLDER PUSH SOUND knob (1) to select "New Passkey", and press the knob (1) to determine the selection.

- 5) Press or turn the TUNE FOLDER PUSH SOUND knob (1) to select "Confirm".
- 6) Turn the TUNE FOLDER PUSH SOUND knob (1) to select a number for the first digit, and press the knob (1) to determine the selection. Select and determine numbers for the second, third and fourth digits in order in the same manner. When not entering up to the eighth digit, enter blanks for the successive digits.
- 7) Turn the TUNE FOLDER PUSH SOUND knob (1) to determine the passkey setting.

NOTE:

When selecting "Go Back", the previous menu will be displayed.

Deletion of phone information (Delete Phone)

Follow the instructions below to delete the registered information of the phone.

- 1) Press the Bluetooth® setup button (4). The Bluetooth® setup menu will be displayed.
- 2) Turn the TUNE FOLDER PUSH SOUND knob (1) to select "Setup Bluetooth", and press the knob (1) to determine the selection.
- 3) Turn the TUNE FOLDER PUSH SOUND knob (1) to select "List Phone", and press the knob (1) to determine the selection.

- 4) Turn the TUNE FOLDER PUSH SOUND knob (1) to select a phone to be deleted, and press the knob (1) to determine the selection.
- 5) Turn the TUNE FOLDER PUSH SOUND knob (1) to select "Delete Phone", and press the knob (1) to determine the selection.
- 6) Turn the TUNE FOLDER PUSH SOUND knob (1) to select "Delete?", and press the knob (1) to determine the selection.
- 7) Turn the TUNE FOLDER PUSH SOUND knob (1) to select "Confirm", and press the knob (1) to determine the selection.

NOTE:

When selecting "Go Back", the previous menu will be displayed.

BT function on/off (BT Power)

Follow the instructions below to turn on/off the Bluetooth® function.

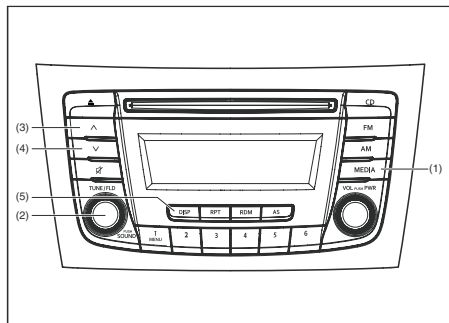
- 1) Press the Bluetooth® setup button (4). The Bluetooth® setup menu will be displayed.
- 2) Turn the TUNE FOLDER PUSH SOUND knob (1) to select "Setup Bluetooth", and press the knob (1) to determine the selection.
- 3) Turn the TUNE FOLDER PUSH SOUND knob (1) to select "BT Power", and press the knob (1) to determine the selection.

- Press the TUNE FOLDER PUSH SOUND knob (1) to select “BT Power On” or “BT Power Off”.

NOTE:

- When the BT function is turned off, the connection between this unit and the registered phone in use will be disconnected.
- When selecting “Go Back”, the previous menu will be displayed.

Bluetooth® audio (if equipped)

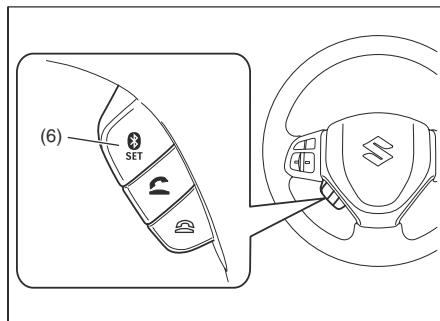


76MH0A103

NOTE:

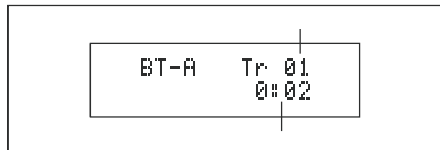
- Applicable for Bluetooth® audio version 2.1 and above.

Steering switch



76MH0A141

Display



MH0-D2-BTA-001

- MEDIA button
 - TUNE FOLDER PUSH SOUND knob
 - Up button
 - Down button
 - DISP button
 - Bluetooth® setup button
- A) Track number
B) Play time

Registration of audio devices

To use Bluetooth®-ready audio devices with this unit, it required to register the phone in advance.

NOTE:

- To set up a new audio player, disconnect the phone from the unit. Connect the phone after audio player setup is completed if necessary.
- When failed to establish the connection within 120 seconds, the connecting operation will be canceled. Please try again or refer to the audio player manual for assistance with the pairing process.

- Press the Bluetooth® setup button (6). The Bluetooth® setup menu will be displayed.
- Turn the TUNE FOLDER PUSH SOUND knob (2) to select “Setup Bluetooth”, and press the knob (2) to determine the selection.
- Turn the TUNE FOLDER PUSH SOUND knob (2) to select “Pairing”, and press the knob (2) to determine the selection.
- Select “CAR AUDIO” from the Bluetooth® menu of the audio player and establish the pairing. Refer to the manual of the audio player in use for further information.
- Enter the Passkey displayed on the unit to the audio player (For phones with

Bluetooth version 2.1 or above passkey input is not required).

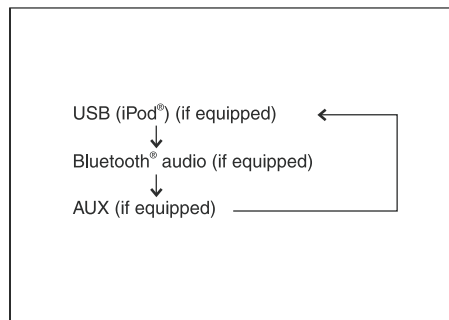
NOTE:

- When selecting “Go Back”, the previous menu will be displayed.
- When additionally registering audio devices, operate the same step from 1).

Selecting the Bluetooth® audio mode

Press the MEDIA button (1).

Each time the button is pressed, the mode will change as follows:



MH0-05-011

Selecting a group (only for supported models)

Turn the TUNE FOLDER PUSH SOUND knob (2) to select a group.

Selecting a track

- Press the Up button (3) to listen to the next track.

- Press the Down button (4) twice to listen to the previous track.
When the Down button (4) is pressed once, the track currently being played will start from the beginning again.

Fast forwarding/Rewinding a track

- Hold down the Up button (3) to fast forward the track.
- Hold down the Down button (4) to fast rewind the track.

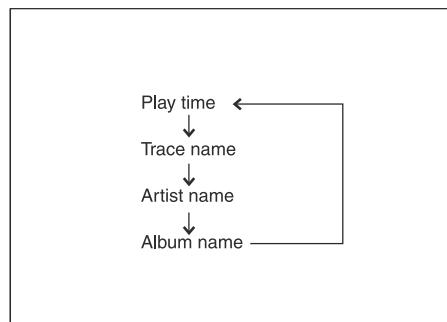
NOTE:

Some functions may not be available depending on Bluetooth® audio.

Display change

Press the DISP button (5).

Each time the button is pressed, display will change as follows:



MH0-05-016

OTHER CONTROLS AND EQUIPMENT

NOTE:

If text data contains more than 12 characters, the “>” mark will appear at the right end. Holding down the DISP button (5) for 1 second or longer can display the next page.

Selection of audio device (Select Audio)

Follow the instructions below to select an audio device to be paired with from the registered audio devices.

- 1) Press the Bluetooth® setup button (6).
The Bluetooth® setup menu will be displayed.
- 2) Turn the TUNE FOLDER PUSH SOUND knob (2) to select “Setup Bluetooth”, and press the knob (2) to determine the selection.
- 3) Turn the TUNE FOLDER PUSH SOUND knob (2) to select “List Audio”, and press the knob (2) to determine the selection.
- 4) Turn the TUNE FOLDER PUSH SOUND knob (2) to select an audio device to be used, and press the knob (2) to determine the selection.
- 5) Turn the TUNE FOLDER PUSH SOUND knob (2) to select “Select”, and press the knob (2) to determine the selection.
- 6) Turn the TUNE FOLDER PUSH SOUND knob (2) to select “Confirm”, and press the knob (2) to complete the pairing.

NOTE:

- When selecting “Go Back”, the previous menu will be displayed.
- The phone will be disconnected when the Bluetooth® ready audio device is selected.

List of audio devices (List Audio)

Follow the instructions below to display the names of the registered audio devices in sequence.

- 1) Press the Bluetooth® setup button (6). The Bluetooth® setup menu will be displayed.
- 2) Turn the TUNE FOLDER PUSH SOUND knob (2) to select “Setup Bluetooth”, and press the knob (2) to determine the selection.
- 3) Turn the TUNE FOLDER PUSH SOUND knob (2) to select “List Audio”, and press the knob (2) to determine the selection. The names of registered audio devices will be displayed in sequence.

NOTE:

When selecting “Go Back”, the previous menu will be displayed.

Passkey setting (Set Passkey)

Follow the instructions below to set the security number (Passkey).

- 1) Press the Bluetooth® setup button (6). The Bluetooth® setup menu will be displayed.

- 2) Turn the TUNE FOLDER PUSH SOUND knob (2) to select “Setup Bluetooth”, and press the knob (2) to determine the selection.
- 3) Turn the TUNE FOLDER PUSH SOUND knob (2) to select “Passkey”, and press the knob (2) to determine the selection.
- 4) Turn the TUNE FOLDER PUSH SOUND knob (2) to select “New Passkey”, and press the knob (2) to determine the selection.
- 5) Press or turn the TUNE FOLDER PUSH SOUND knob (2) to select “Confirm”.
- 6) Turn the TUNE FOLDER PUSH SOUND knob (2) to select a number for the first digit, and press the knob (2) to determine the selection. Select and determine numbers for the second, third and fourth digits in order in the same manner. When not entering up to the eighth digit, enter blanks for the successive digits.
- 7) Turn the TUNE FOLDER PUSH SOUND knob (2) to determine the passkey setting.

NOTE:

When selecting “Go Back”, the previous menu will be displayed.

Deletion of audio device information (Delete Audio)

Follow the instructions below to delete the registered information of audio device.

- 1) Press the Bluetooth® setup button (6). The Bluetooth® setup menu will be displayed.
- 2) Turn the TUNE FOLDER PUSH SOUND knob (2) to select “Setup Bluetooth”, and press the knob (2) to determine the selection.
- 3) Turn the TUNE FOLDER PUSH SOUND knob (2) to select “List Audio”, and press the knob (2) to determine the selection.
- 4) Turn the TUNE FOLDER PUSH SOUND knob (2) to select an audio device to be deleted, and press the knob (2) to determine the selection.
- 5) Turn the TUNE FOLDER PUSH SOUND knob (2) to select “Delete”, and press the knob (2) to determine the selection.
- 6) Turn the TUNE FOLDER PUSH SOUND knob (2) to select “Delete?”, and press the knob (2) to determine the selection.
- 7) Turn the TUNE FOLDER PUSH SOUND knob (2) to select “Confirm”, and press the knob (2) to complete the deletion.

NOTE:

When selecting “Go Back”, the previous menu will be displayed.

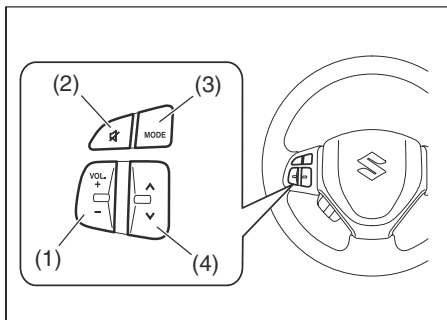
Disclaimer for Bluetooth® function

- Depending on the mobile phone models, some phones may not be compatible fully or partially (some function may be restricted).

- Connectivity or voice quality may get affected depending on circumstances.
- After the ignition switch is turned to the “ON” position, the audio system takes few seconds to detect and connect to the Bluetooth® device (if already paired).
- Make sure that you are aware of all applicable local laws and accordingly use Bluetooth device.

Remote Audio Controls (if equipped)

Controlling of basic functions of the audio system is available using the switches on the steering wheel.



68LM553

Adjusting the volume

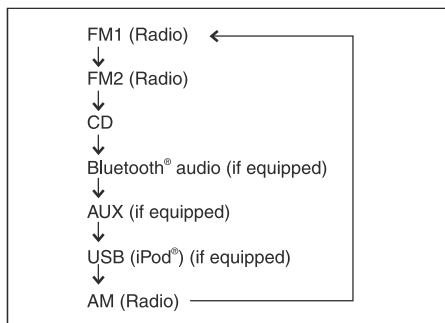
- To increase the volume, hold down “+” of the VOL switch (1). The volume will keep on being increased until the switch is released.

- To decrease the volume, hold down “-” of the VOL switch (1). The volume will keep on being decreased until the switch is released.
- To mute the sound, press the switch (2).

Selecting the mode

Press the switch (3).

Each time the button is pressed, the mode will change as follows:



MH0-05-017

It is possible to turn on the audio system by pressing the switch (3).

Selecting the radio station (FM1, FM2, AM mode)

- To select the next preset station, press “^” of the switch (4) only for a moment.
- To select the previous preset station, press “v” of the switch (4) only for a moment.

OTHER CONTROLS AND EQUIPMENT

- To scan a higher frequency radio station, press “^” of the switch (4) for 1 second or longer.
- To scan a lower frequency radio station, press “v” of the switch (4) for 1 second or longer.

Selecting the track (CD, USB (iPod®), Bluetooth® audio mode)

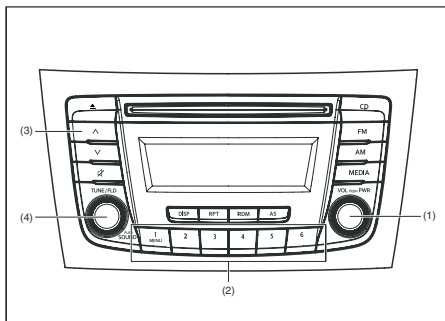
- To skip to the next track, press “^” of the switch (4) only for a moment.
- To skip to the previous track, press “v” of the switch (4) twice only for a moment.

When the switch (4) is pushed down once only for a moment, the track currently being played will start from the beginning again.

Fast forwarding/Rewinding a track

- To fast forward, press “^” of the switch (4) for 1 second or longer.
- To fast rewind, press “v” of the switch (4) for 1 second or longer.

Anti-Theft Feature



76MH0A105

- 1) VOL PUSH POWER knob
- 2) Preset buttons ([1] to [6])
- 3) Up button
- 4) TUNE FOLDER PUSH SOUND knob

The anti-theft function is intended to discourage thefts, such as that the audio system becomes inoperable when it is installed on other vehicles.

This function works by entering a Personal Identification Number (PIN).

When the unit is disconnected from its power source, such as when the audio system is removed or the battery is disconnected, the unit will become inoperable until the PIN is reentered.

Setting the Anti-Theft Function

- 1) Press the VOL PUSH POWER knob (1) to power off.
- 2) Hold down the buttons numbered [1] and [6] of the Preset buttons (2) and press the VOL PUSH POWER knob (1). "SECURITY" will be displayed.
- 3) Press the Up button (3) and the button numbered [1] of the Preset buttons (2) simultaneously.
- 4) Enter a 4-digit number to be registered as PIN using the buttons numbered [1] - [4] of the Preset buttons (2).
- 5) Hold down the TUNE FOLDER PUSH SOUND knob (4) for 1 second or longer to set the anti-theft function.

NOTE:

Take a note of the registered PIN and keep it for the future use.

Canceling the anti-theft feature

To cancel the anti-theft function, delete the registered PIN.

- 1) Press the VOL PUSH POWER knob (1) to power off.
- 2) Hold down the buttons numbered [1] and [6] of the Preset buttons (2) and press the VOL PUSH POWER knob (1). "PIN ENTRY" will be displayed.
- 3) Press the Up button (3) and the button numbered [1] of the Preset buttons (2) simultaneously.

- 4) Enter a 4-digit number to be registered as PIN using the buttons numbered [1] - [4] of the Preset buttons (2).
- 5) Hold down the TUNE FOLDER PUSH SOUND knob (4) for 1 second or longer to delete the registered PIN. The indication "____" will be displayed and the anti-theft function will be canceled.

NOTE:

To change your PIN, first delete your current PIN, then set a new one.

Confirming the Personal Identification Number (PIN)

When the main power source is disconnected such as when the battery is replaced, etc, it is required to enter the PIN to make the unit operable again.

- 1) Set the ignition switch to the "ACC" position. "SECURITY" will be displayed.
- 2) Press the Up button (3) and the button numbered [1] of the Preset buttons (2) simultaneously.
- 3) Enter a 4-digit number to be registered as PIN using the buttons numbered [1] - [4] of the Preset buttons (2).
- 4) Hold down TUNE FOLDER PUSH SOUND knob (4) for 1 second or longer. When the PIN same as registered is entered, the power of the audio system will be turned off automatically and it will become operable again.

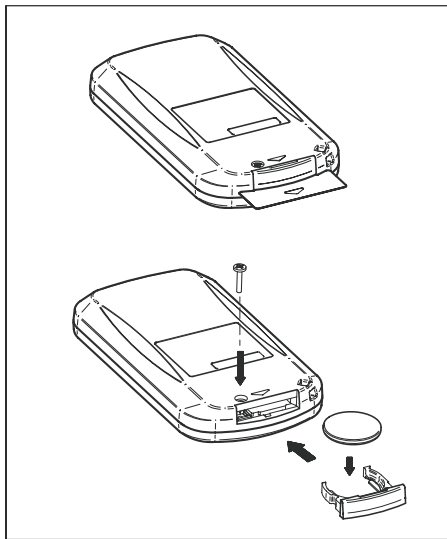
NOTE:

If an incorrect PIN is entered, "ERROR" and the total number of incorrect entry attempts will be displayed.

If an incorrect PIN is entered 10 times, "HELP" will be displayed and the audio system will become inoperable.

Battery Installation

Install a lithium battery (CR2025) with the poles facing the correct direction.



MH0-05-017A

Battery replacement timing

- When battery power is depleted, the button may not be operable. If the remote controller does not operate, replace the battery and check the operation.

Caution on battery

- Be sure to follow the instructions to prevent battery leakage, over-heating, ignition or explosion.

⚠ WARNING

- Do not expose the battery to flame. Do not short circuit, disassemble, or heat the battery.
- Do not charge the battery.
- Use the specified type battery.
- Keep the button-shaped battery away from children to prevent accidental swallowing.

If the battery is swallowed, contact a doctor immediately.

⚠ CAUTION

- Install the battery with the poles facing the correct direction.
- When not in use for a long period of time, or if the battery is dead, remove the battery from the remote controller.

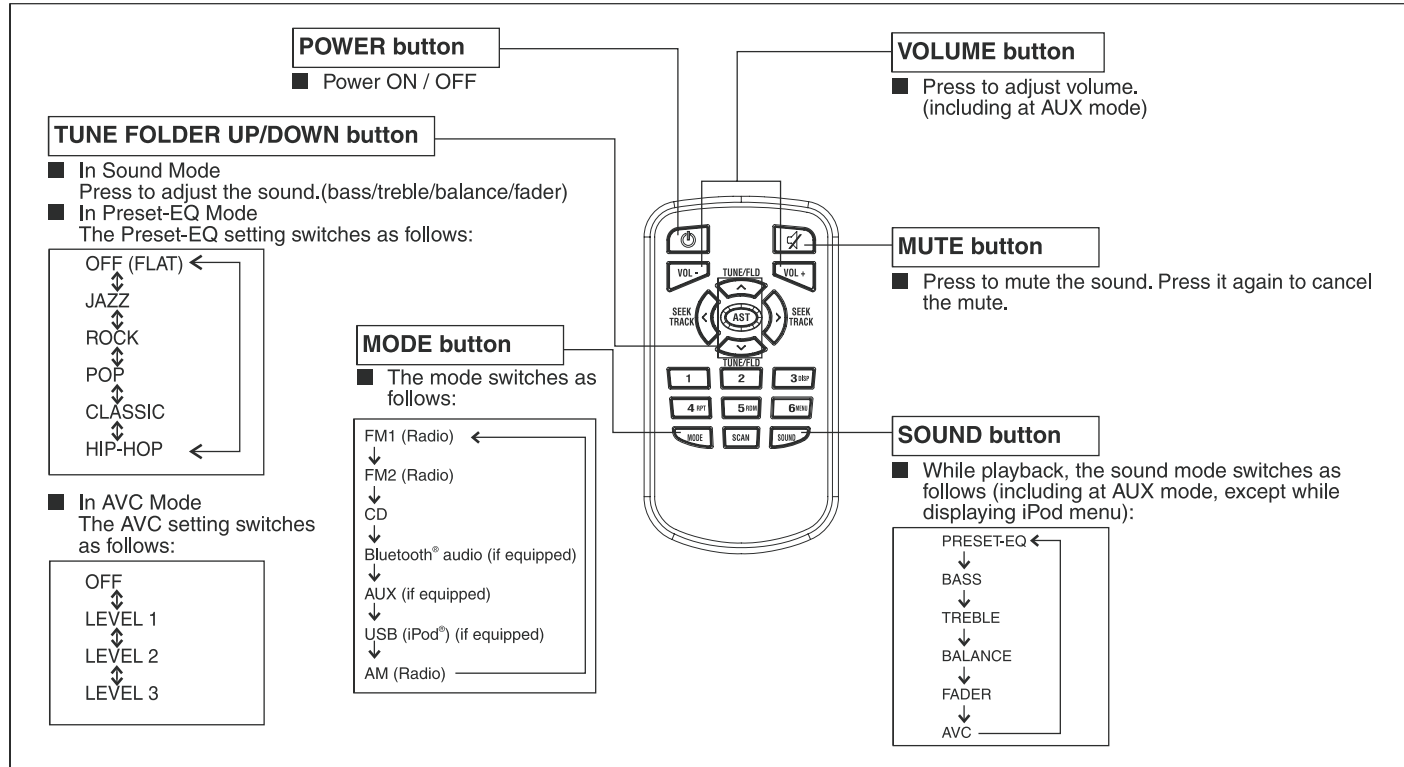
OTHER CONTROLS AND EQUIPMENT

If battery leakage has occurred, wipe the container first then install a new battery. If the battery solution contacts the skin, wash off with water completely.

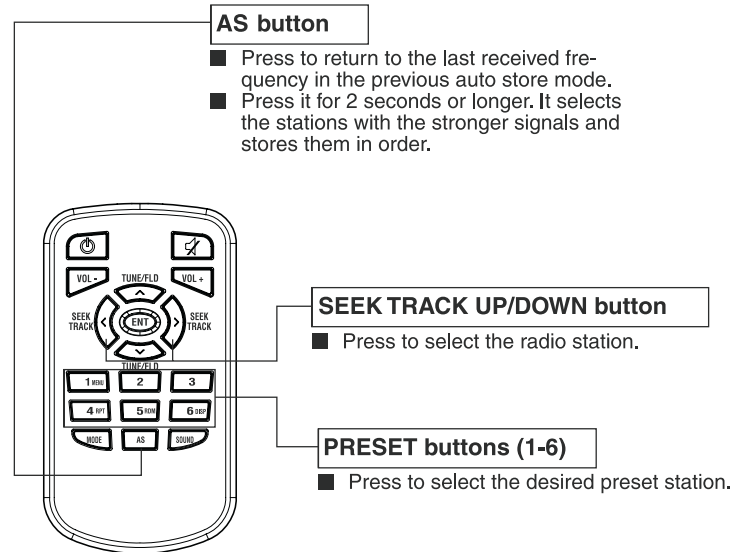
Caution on Remote Controller

- Do not leave the remote controller in an area exposed to direct sunlight, such as on the dashboard or steering wheel. The remote controller may deform because of the heat, (Be especially careful of the dashboard exposed to direct sunlight in the summer, as it will become extremely hot).
- When the vehicle is parked in an area exposed to direct sunlight, Ensure the remote controller is placed in an area not exposed to direct sunlight. For example: Glove box. Under direct sunlight, signal reception from the remote controller weakens. If this happens, hold the remote controller close to the signal receptor on the front panel.

Remote Controller
common operations

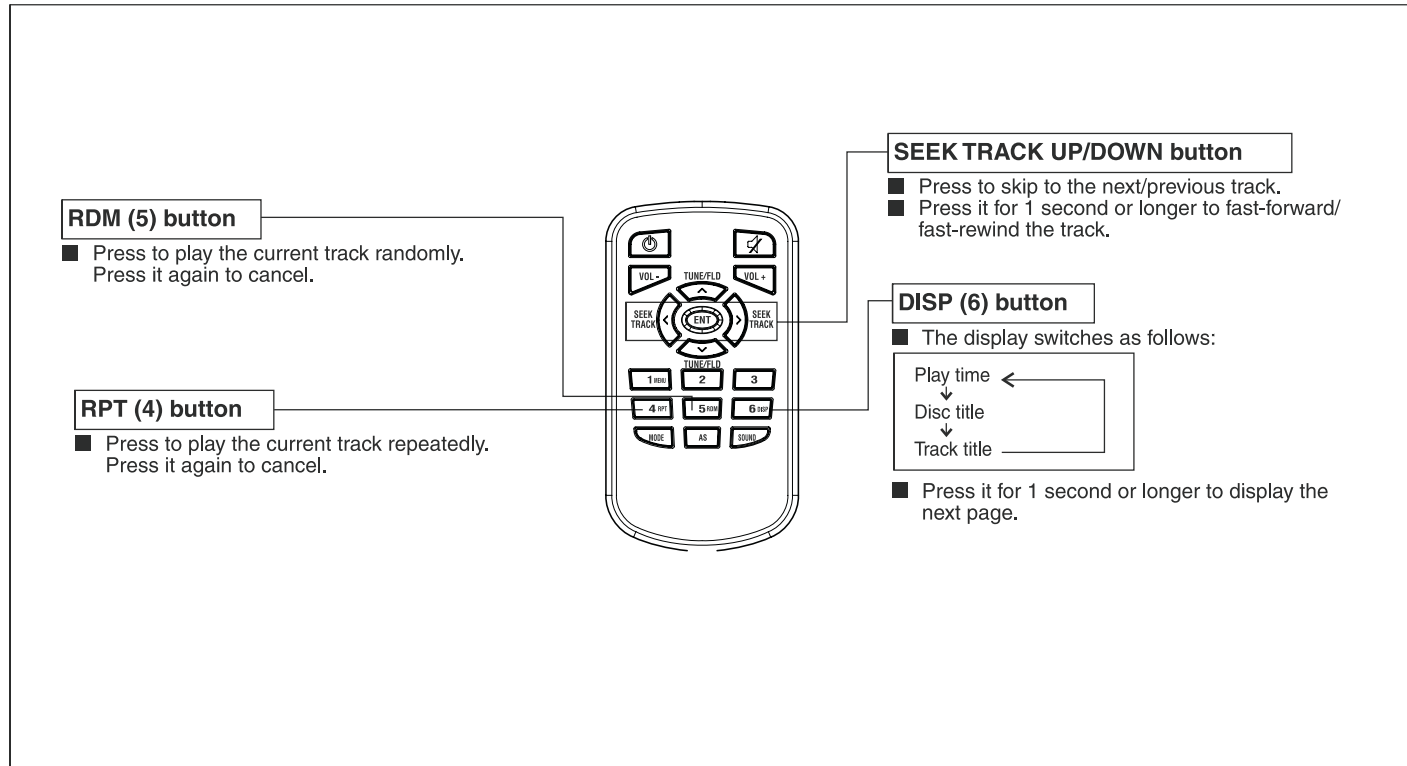


Radio operations

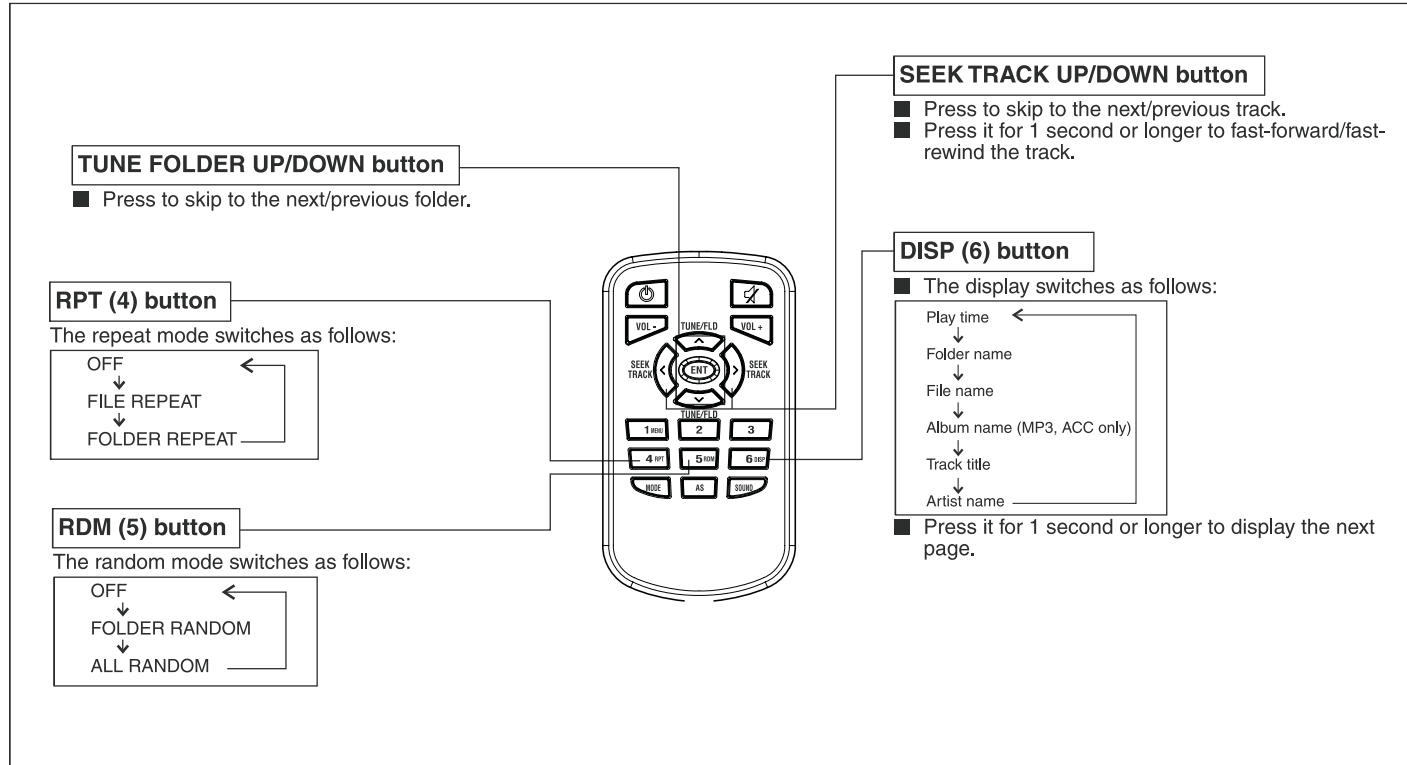
**NOTE:**

When there are fewer than 6 stations that can be stored even if 1 round of auto store operation is performed, no station will be stored at the remaining preset buttons.

CD operations

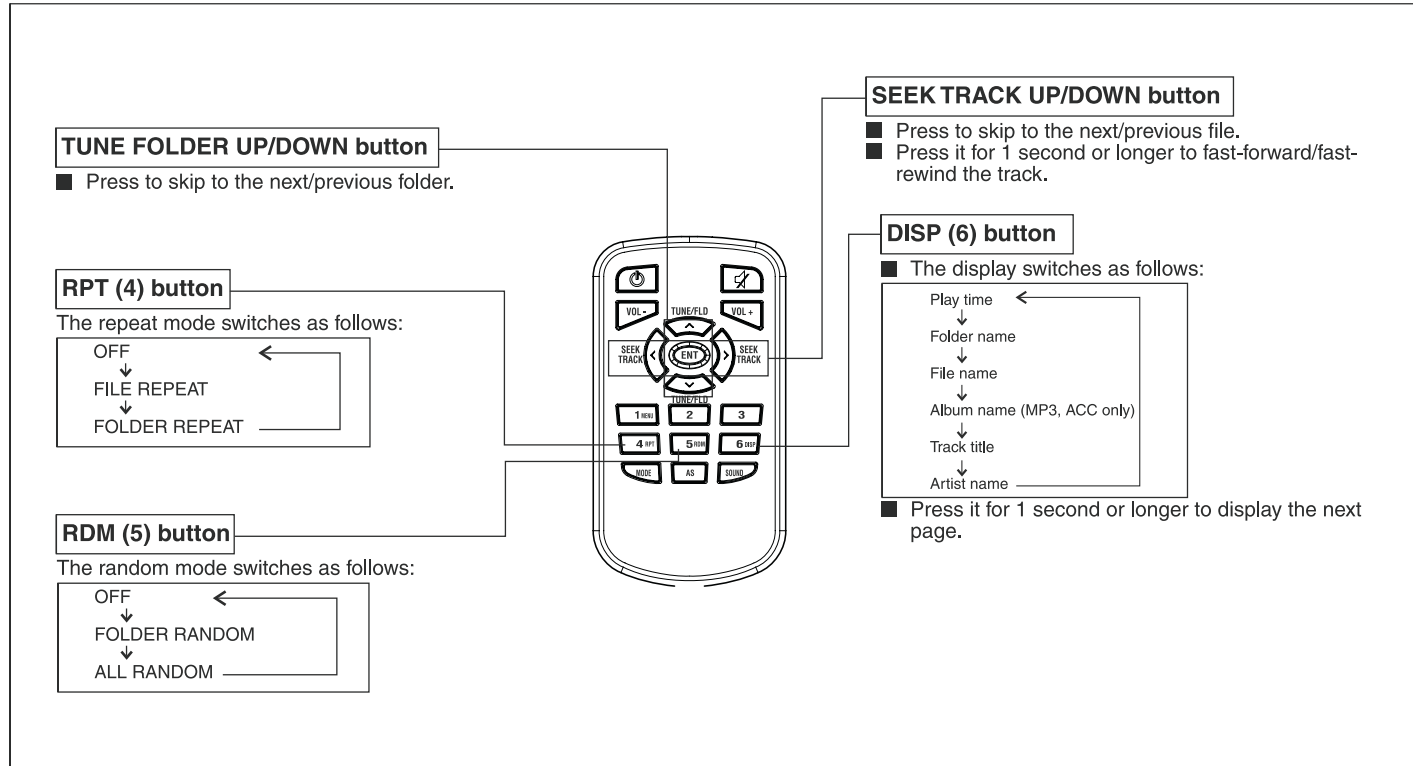


MP3/WMA/AAC Disc operations

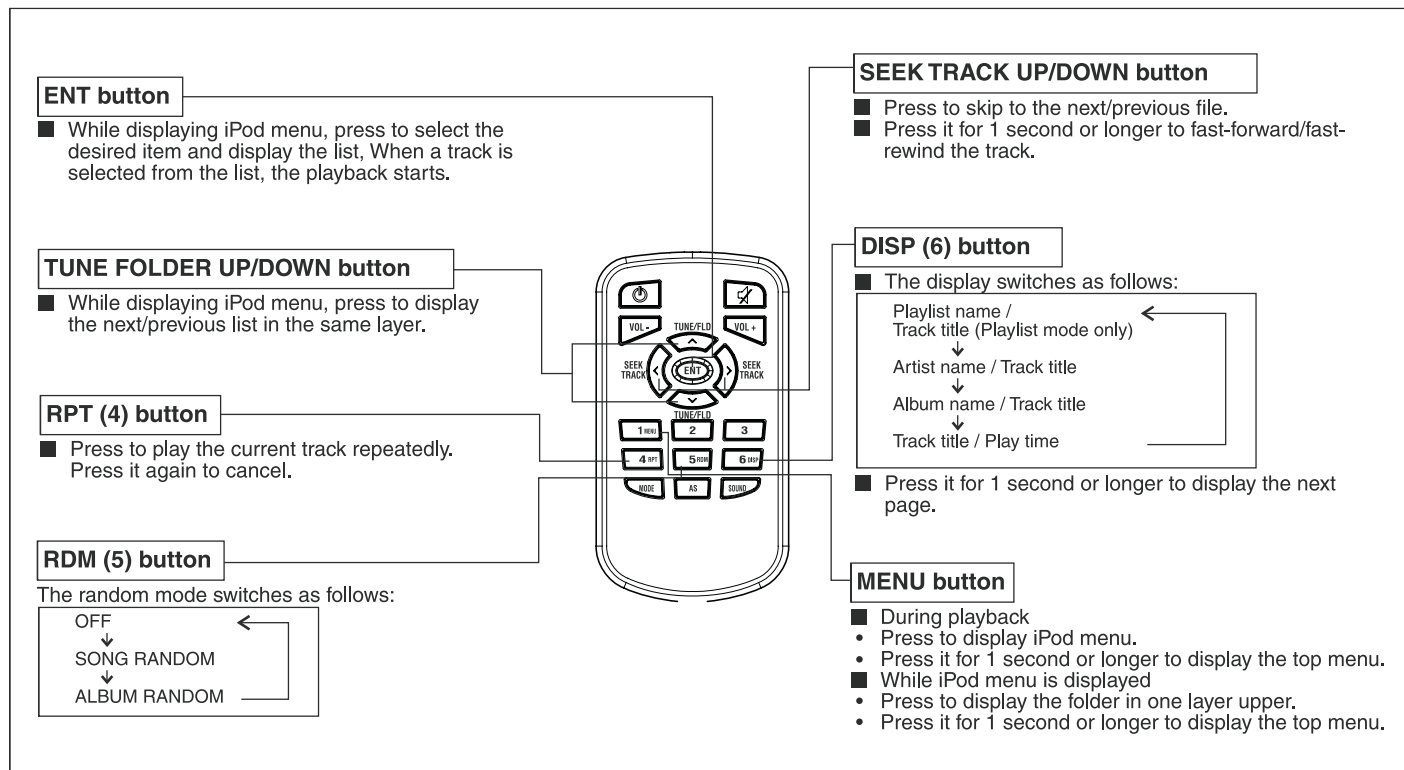


MH0-05-021

USB operations



iPod operations



MHO-05-023

Troubleshooting

When encountered a problem, check and follow the instructions as described below.

If the described suggestions do not solve the problem, it is recommended to take the unit to your authorized MARUTI SUZUKI dealer.

Problem	Possible cause	Possible solution
Common		
Unable to operate	The security function is on.	When "SECURITY" is displayed, enter the ID. When "HELP" is displayed, contact your authorized MARUTI SUZUKI dealer.
Unable to turn on the power (no sound). (No sound is produced).	Fuse is blown.	Contact your authorized MARUTI SUZUKI dealer.

Radio

Much noise	It may not be exactly tuned in to the station.	Tune it in exactly to the station.
Unable to receive by auto tuning	There may be no station emitting signals powerful enough.	Pick up a station by manual tuning.

CD

Sound skips or noise produced	The disc is dirty.	Wipe the disc with a soft cloth.
	The disc has a major scratch or is warped.	Replace the disc with the one with no scratch and also not warped.

Problem	Possible cause	Possible solution
MP3/WMA/AAC		
No playback	The disc contains unsupported formatted data.	Check the file format.
Sound skips or noise produced	Sound skipping may occur when playing VBR (Variable Bit Rate) files.	It is not recommended to play VBR files.
USB		
Playback does not start when the USB device is connected.	There is no supported format file to play on this unit.	Check the file format.
	The current consumption of the USB device exceeds 1.0 A.	Use an USB device with a current consumption lower than 1.0 A.
Bluetooth®		
Pairing failed	The distance between this unit and the Bluetooth® ready device is too far, or a metallic object may be located between the Bluetooth® ready device and this unit.	Change the location of the Bluetooth® ready device.
	The Bluetooth® function of the Bluetooth® ready device is off.	Refer to the manual of the Bluetooth® ready device. (Some devices have the power saving function that automatically activates after a certain time.)
Unable to receive a call.	Your current location may be out of service area.	Drive your vehicle to the service area of the phone.
The voice quality of hands-free is low (Distortion, noise etc.).	Another wireless device may be located near the unit.	Switch off the wireless device or keep it away from the unit.

Error Display Messages

Display	Possible cause	Possible solution
CD		
ERROR 1	The disc cannot be read.	Insert the disc with its label side up. Check the disc if it is not warped or is free of flaws. When ERROR 1 does not disappear even when a normal disc is inserted, contact your dealer.
ERROR 3	The player developed an error of an unidentified cause.	When the CD is in the unit, press the CD eject button to remove the disc. When the disc cannot be ejected, contact your dealer.
USB/iPod®		
ERROR 1	The USB device is disconnected.	Check the connection of the USB device.
ERROR 2	Impossible to communicate correctly with the USB device.	Unplug the USB device and plug it again. Check the USB device.
ERROR 3	Inoperable due to an unidentified cause.	Unplug the USB device and plug it again. When ERROR 3 does not disappear, contact your dealer.
ERROR 4	The current consumption of the USB device exceeds 1.0 A.	Check the USB device.

Display	Possible cause	Possible solution
Bluetooth®		
ERROR 1	The player developed an error of an unidentified cause.	Disconnect the Bluetooth® ready device and connect it again. When ERROR 1 does not disappear, contact your dealer.
Failed	Failed to establish pairing	Try to establish the pairing again.
Memory Full	Reached the limit for the number of connected device information	Delete information of unnecessary devices and try to establish the pairing again.
Not Avail.	Inoperable during driving	Operate the system after pulling over your vehicle.
Not Linked	Phone is disconnected	Try to establish the pairing again.

VEHICLE LOADING AND TOWING

Vehicle Loading	8-1
Trailer Towing	8-1
Towing Your Vehicle	8-2

Vehicle Loading

Your vehicle was designed for specific weight capacities. The weight capacities of your vehicle are indicated by the Gross Vehicle Weight Rating (GVWR) and the Permissible maximum Axle Weight (PAW, front and rear). The GVWR and PAW (front and rear) are listed in the "SPECIFICATIONS" section.

GVWR – Maximum permissible overall weight of the fully loaded vehicle (including all the occupants, accessories and cargo plus the trailer nose weight if towing a trailer).

PAW – (Front and Rear) Maximum permissible weight on an individual axle.

Actual weight of the loaded vehicle and actual loads at the front and rear axles can only be determined by weighing the vehicle. Compare these weights to the GVWR and PAW (front and rear). If the gross vehicle weight or the load on either axle exceeds these ratings, you must remove enough weight to bring the load down to the rated capacity.

⚠ WARNING

Never overload your vehicle. The gross vehicle weight (sum of the weights of the vehicle, all the occupants, accessories, cargo plus trailer nose weight if towing a trailer) must never exceed the Gross Vehicle Weight Rating (GVWR). In addition, never distribute a load so that the weight on either the front or rear axle exceeds the Permissible maximum Axle Weight (PAW).

⚠ WARNING

Always distribute cargo evenly. To avoid personal injury or damage to your vehicle, always secure cargo to prevent it from shifting if the vehicle moves suddenly. Place heavier objects on the floor and as far forward in the cargo area as possible. Never pile cargo higher than the top of the seat backs.

Trailer Towing

Your MARUTI SUZUKI was originally designed to carry people and a normal amount of cargo, not to tow a trailer. MARUTI SUZUKI does not recommend you use your

vehicle to tow a trailer. Towing a trailer can adversely affect handling, durability, and fuel economy.

Towing Your Vehicle

Your vehicle may be towed behind another vehicle (such as a motorhome), provided your vehicle is 2 wheel drive (2WD) and you use the proper towing method specified for your vehicle. The towing method you must use depends on the specifications of your vehicle: whether it is a manual transaxle vehicle or an automated manual transaxle vehicle.

Use the towing instruction table to select the proper towing method for your vehicle, and carefully follow the corresponding instructions. Be sure to use proper towing equipment designed for recreational towing and make sure that towing speed does not exceed 90 km/h (55 mph).

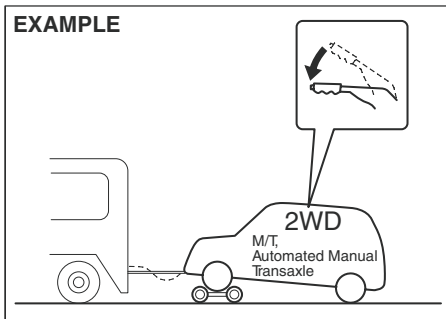
⚠ WARNING

When you tow your vehicle, follow the instructions below to avoid accidents and damage to your vehicle. In addition, be sure to observe government and local requirements regarding vehicle lighting and trailer hitches or tow bars.

⚠ WARNING
 A safety chain should always be used when you tow your vehicle.

TOWING INSTRUCTION TABLE

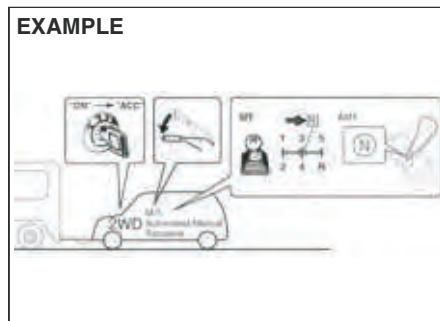
DRIVE TRAIN	TRAN-SAXLE	TOWING METHOD
2WD	M/T	A B
	Automated Manual Transaxle	A B



MH0-07-014

A: 2WD VEHICLES WITH MANUAL TRANSAXLE OR AUTOMATED MANUAL TRANSAXLE

- 1) Secure the front wheels on a towing dolly according to the instructions provided by the dolly manufacturer.
- 2) Release the parking brake.



MH0-07-014

B: 2WD VEHICLES WITH MANUAL TRANSAXLE OR AUTOMATED MANUAL TRANSAXLE

- 1) Shift the gearshift lever into neutral.
- 2) Turn the ignition key to the “ACC” position to unlock the steering wheel.
- 3) Release the parking brake.

NOTICE

After shifting the automated manual transaxle gearshift lever to the “N” position, always check the gear position indicator in the instrument cluster shows the “N” position to make sure that the transaxle is disengaged.

If the transaxle cannot be put in neutral, turn the key from the “OFF” to the “ON” position, and move the automated manual transaxle gearshift lever from “N” to “D”, “M” or “R”, then back to “N” again. Then turn the key from the “ON” to the “OFF” position.

These procedures may help put the transaxle in neutral. If the transaxle still cannot be put in neutral, you cannot tow the vehicle without using a towing dolly.

NOTICE

The steering column is not strong enough to withstand shocks transmitted from the front wheels during towing. Always unlock the steering wheel before towing.

INSPECTION AND MAINTENANCE

Maintenance Schedule	9-1
Periodic Maintenance Schedule	9-3
Drive Belt	9-7
Engine Oil and Filter	9-7
Engine Coolant	9-10
Air Cleaner	9-11
Spark Plugs	9-12
Gear Oil	9-13
Clutch Pedal	9-14
Brakes	9-14
Steering	9-16
Tires	9-17
Battery	9-18
Fuses	9-19
Bulb Replacement	9-22
Wiper Blades	9-27
Windshield Washer Fluid	9-30
Air Conditioning System	9-30



60A187S

⚠ WARNING

You should take extreme care when working on your vehicle to prevent accidental injury. Here are a few precautions that you should be especially careful to observe:

- To prevent damage or unintended activation of the air bag system be sure the battery is disconnected and the ignition switch has been in the "LOCK" position for at least 90 seconds before performing any electrical service work on your MARUTI SUZUKI. Do not touch air bag system components or wires.

⚠ WARNING

- ↩ The wires are wrapped with yellow tape or yellow tubing, and the couplers are yellow for easy identification.
- Do not leave the engine running in garages or other confined areas.
- When the engine is running, keep hands, clothing, tools, and other objects away from the fan and drive belt. Even though the fan may not be moving, it can automatically turn on without warning.
- When it is necessary to do service work with the engine running, make sure that the parking brake is set fully and the transaxle is in Neutral.
- Do not touch ignition wires or other ignition system parts when starting the engine or when the engine is running, or you could receive an electric shock.
- Be careful not to touch a hot engine, exhaust manifold and pipes, muffler, radiator and water hoses.
- Do not allow smoking, sparks, or flames around fuel or the battery. Flammable fumes are present.
- Do not get under your vehicle if it is supported only with the portable jack provided in your vehicle.

⚠ WARNING

- ↩
- Be careful not to cause accidental short circuits between the positive and negative battery terminals.
- Keep used oil, coolant, and other fluids away from children and pets. Dispose of used fluids properly; never pour them on the ground, into sewers, etc.

Maintenance Schedule

The following table shows the times when you should perform regular maintenance on your vehicle. This table shows in kilometers and months when you should perform inspections, adjustments, lubrication and other services.

⚠ WARNING

MARUTI SUZUKI recommends that maintenance on your Maruti Suzuki vehicle should be performed by **MARUTI SUZUKI** authorised workshop/Service station.

NOTICE

Whenever it becomes necessary to replace parts on your vehicle, it is recommended that you use **MARUTI** genuine replacement parts or their equivalent.

Periodic Maintenance Schedule

A....Adjust.

I....Inspect and correct or replace if necessary.

T....Tighten to specified torque.

C....Clean.

R....Replace or change.

O....Rotate

L....Lubricate.

NOTE:

This table includes services as scheduled up to 80000 km mileage. Beyond 80000 km carry out the same services at the same intervals respectively.

Interval: This interval should be judged by odometer reading or months, whichever comes first.		km (x 1,000) months	FREE INSPECTIONS			PERIODIC MAINTENANCE SERVICE AT COST						
			1	5	10	20	30	40	50	60	70	80
			1	6	12	24	36	48	60	72	84	96
ENGINE												
1.	Water pump drive belt (tension, wear)		-	-	-	-	-	I	-	-	-	R
2.	Engine coolant (level, leakage)		I	I	I	R	I	R	I	R	I	R
3.	Engine oil (API GRADE SL) & Oil filter		-	-	R	R	R	R	R	R	R	R
4.	Cooling system hoses and connections (leakage, damage)		I	I	I	I	I	I	I	I	I	I
5.	Engine bolts (All cylinder head and manifold fixings)		-	-	T	-	T	-	T	-	T	-
6.	Engine mounting (loose, damage)		-	-	T	-	T	-	T	-	T	-
7.	Valve clearance		-	-	-	-	I	-	-	I	-	-
8.	Exhaust system (noise, leakage or otherwise defective)		-	I	-	I	-	I	-	I	-	I
9.	Positive crankcase ventilation System (Hoses, connections and valve)		-	I	-	I	-	I	-	I	-	I
IGNITION												
1.	Ignition wiring, (damage, deterioration)		-	-	-	I	-	I	-	I	-	I
2.	Spark plugs		-	-	-	-	-	R	-	-	-	R
FUEL												
1.	Air cleaner	Paved-road Dusty condition	Clean every 5,000 km. Replace every 40,000 km. Clean every 2,500 km or as required. Replace every 40,000 km. More frequent replacement if dust condition is severe.									

Interval: This interval should be judged by odometer reading or months, whichever comes first.		km (x 1,000) months	FREE INSPECTIONS			PERIODIC MAINTENANCE SERVICE AT COST						
			1	5	10	20	30	40	50	60	70	80
			1	6	12	24	36	48	60	72	84	96
2.	Fuel tank cap, fuel lines & connections (leakage,damage)			-	-	-		-	-	-		
3.	Fuel filter (leakage)		-	-							R	
CLUTCH AND TRANSMISSION												
1.	Clutch pedal (play)											
2.	Clutch slipping (dragging or excessive damage)											
3.	Manual Transmission/Transfer and Differential oil (level, leakage)											
		Replace at 1,60,000 KM or 10 years whichever comes first										
DRIVE SHAFTS												
1.	Drive shafts boots (boot cut / damage)											
2.	Noise from drive shafts											
BRAKE												
1.	Brake fluid (level, leakage)					R		R		R		
2.	Brake pedal (pedal-to-wall clearance)											
3.	Parking brake lever and cable (play, damage)											
4.	a. Brake discs and pads, (wear)		-									
	b. Brake drums & shoes		-	-								
5.	Master cylinder and wheel cylinder or caliper, brake hoses and pipes (Fluid leakage, damage)											
6.	Master cylinder sub assembly, wheel cylinder boot kit & caliper seat set							R			R	

Interval: This interval should be judged by odometer reading or months, whichever comes first.		km (x 1,000) months	FREE INSPECTIONS			PERIODIC MAINTENANCE SERVICE AT COST						
			1	5	10	20	30	40	50	60	70	80
			1	6	12	24	36	48	60	72	84	96
WHEEL												
1.	Tyres (air pressure, abnormal wear, crack, rotation)		I&O	I&O	I&O	I&O	I&O	I&O	I&O	I&O	I&O	
2.	Wheels (damage)											
3.	Front wheel bearings (loose, damage, noise)	-										
4.	Rear wheel bearings (loose, damage, noise)	-										
FRONT AND REAR SUSPENSION												
1.	Suspension strut (oil leakage, damage, noise)											
2.	Suspension arms and knuckle supports (loose,damage)	-										
3.	Rear spring (damage, noise)	-										
4.	Shock absorbers (oil leakage, damage, noise)											
5.	All bolts and nuts (loose)	-	T	T	T	T	T	T	T	T	T	
6.	Suspension arms and Tension rods	-										
STEERING												
1.	Steering wheel (play, loose)											
2.	All rods and arms (loose, damage, wear)											
ELECTRICAL												
1.	Battery electrolyte (level, leakage)											
2.	Wiring harness connection (looseness, damage)	-										
3.	Lighting system (operation, stains, damage)											
4.	Horn (operation)											
5.	System voltage											

Interval: This interval should be judged by odometer reading or months, whichever comes first.		km (x 1,000) months	FREE INSPECTIONS			PERIODIC MAINTENANCE SERVICE AT COST						
			1	5	10	20	30	40	50	60	70	80
			1	6	12	24	36	48	60	72	84	96
BODY												
1.	All chassis bolts and nuts (tighten)	-	I	T	T	T	T	T	T	T	T	T
2.	All Latches, Hinges & Locks (function)	I	I&L	I&L	I&L	I&L	I&L	I&L	I&L	I&L	I&L	I&L
ROAD TEST												
1.	Operation of Brakes, Gear shifting & speedometer	I	I	I	I	I	I	I	I	I	I	I
2.	Body and Chassis noise	I	I	I	I	I	I	I	I	I	I	I
AIR CONDITIONER (if equipped)												
1.	Check belt tension	I	I	I	I	I	I	I	I	I	I	I
2.	Tighten compressor mounting bolts	-	T	T	T	T	T	T	T	T	T	T
3.	Check all hose joints, tighten if necessary	I	I	I	I	I	I	I	I	I	I	I
4.	Check functioning of Recirc flap	I	I	I	I	I	I	I	I	I	I	I
5.	Clean condenser with low pressure water	-	C	C	C	C	C	C	C	C	C	C
6.	Check belt for frayed edges, change if necessary	-	I	I	I	I	I	I	I	I	I	I
7.	Check all mounting bolts	-	I	I	I	I	I	I	I	I	I	I

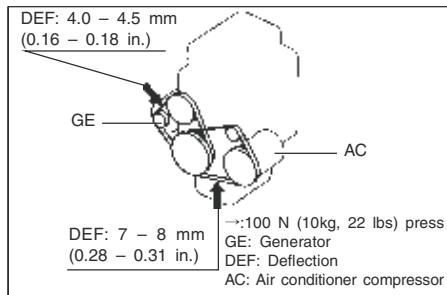
Drive Belt

▲ WARNING

When the engine is running, keep hands, hair, clothing, tools, etc. away from the moving fan and drive belts.

Make sure the drive belt tension is correct. If the belt is too loose, insufficient battery charging, engine overheating, poor power steering, poor air conditioning, or excessive belt wear can result. When you press the belt with your thumb midway between the pulleys, there should be a deflection according to the following chart. The belts should also be examined to ensure that they are not damaged. If you need to replace or adjust the belt have it done by your MARUTI SUZUKI dealer.

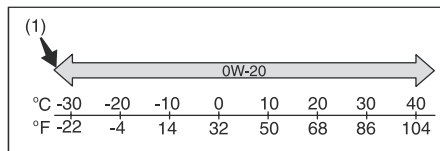
K10B



51KM036

Engine Oil and Filter

Specified Oil



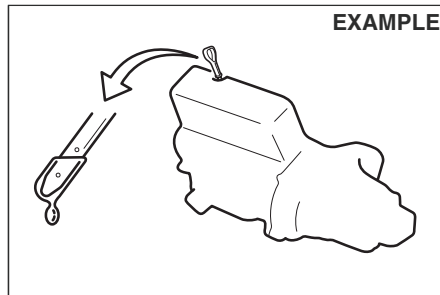
68LM20702

(1) Preferred

Be sure that the engine oil you use comes under the quality classification of SL. Select the appropriate oil viscosity according to the above chart.

SAE 0W-20 (1) is the best choice for good fuel economy, and good starting in cold weather.

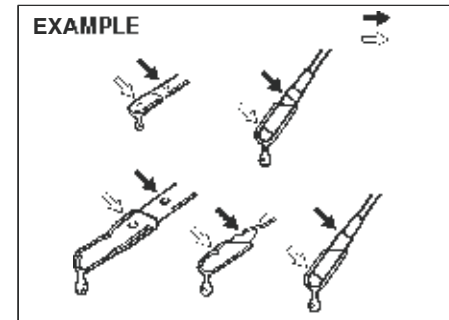
Oil Level Check



68KH066

It is important to keep the engine oil at the correct level for proper lubrication of your vehicle's engine. Check the oil level with the vehicle on a level surface. The oil level indication may be inaccurate if the vehicle is on a slope. The oil level should be checked either before starting the engine or at least 5 minutes after stopping the engine.

The handle of the engine oil dipstick is colored yellow for easy identification.



52D084

Pull out the oil dipstick, wipe oil off with a clean cloth, insert the dipstick all the way into the engine, then remove it again. The oil on the stick should be between the upper and lower limits shown on the stick. If the oil level indication is near the lower limit, add enough oil to raise the level to the upper limit.

NOTICE

Failure to check the oil level regularly could lead to serious engine trouble due to insufficient oil.

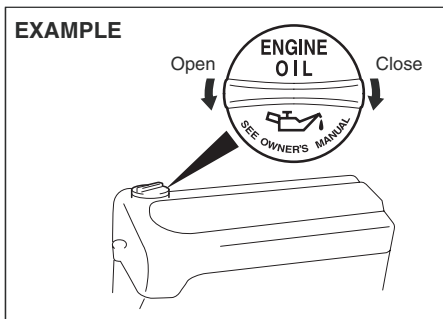
Refilling

81A147

Remove the oil filler cap and pour oil slowly through the filler hole to bring the oil level to the upper limit on the dipstick. Be careful not to overfill. Too much oil is almost as bad as too little oil. After refilling, start the engine and allow it to idle for about a minute. Stop the engine, wait about 5 minutes and check the oil level again.

Changing Engine Oil and Filter

Drain the engine oil while the engine is still warm.

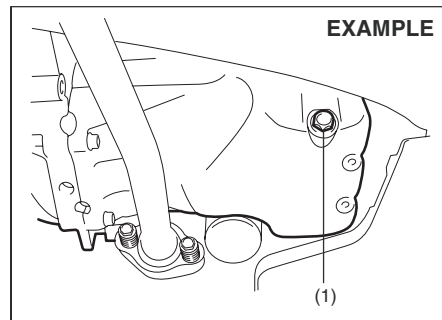
EXAMPLE

68KH067

- 1) Remove the oil filler cap.
- 2) Place a drain pan under the drain plug.
- 3) Using a wrench, remove the drain plug and drain out the engine oil.

CAUTION

The engine oil temperature may be high enough to burn your fingers when the drain plug is loosened. Wait until the drain plug is cool enough to touch with your bare hands.

EXAMPLE

68KH068

Tightening torque for drain plug (1):
35 Nm (3.6 kg-m, 25.8 lb-ft)

WARNING

New and used oil can be hazardous. Children and pets may be harmed by swallowing new or used oil. Keep new and used oil and used oil filters away from children and pets.

Repeated, prolonged contact with used engine oil may cause skin cancer. Brief contact with used oil may irritate skin.

To minimize your exposure to used oil, wear a long-sleeve shirt and moisture-proof gloves (such as dish-washing gloves) when changing oil. If oil contacts your skin, wash thoroughly with soap and water.



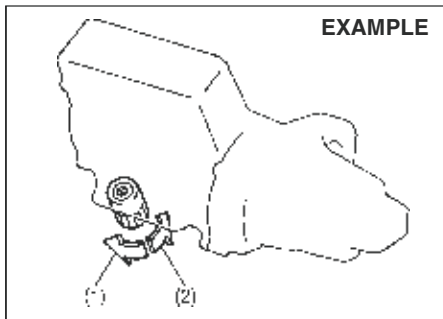
⚠ WARNING

Laundry any clothing or rags if wet with oil.
Recycle or properly dispose of used oil and filters.

- 4) Reinstall the drain plug and gasket. Tighten the plug with a wrench to the specified torque.

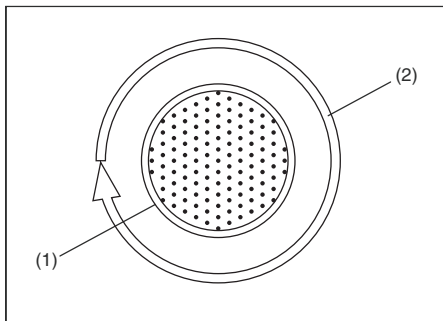
Replace the Oil Filter

- 1) Using an oil filter wrench, turn the oil filter counterclockwise and remove it.
- 2) Using a clean rag, wipe off the mounting surface on the engine where the new filter will be seated.
- 3) Smear a little engine oil around the rubber gasket of the new oil filter.
- 4) Screw on the new filter by hand until the filter gasket contacts the mounting surface.



54G092

- (1) Loosen
- (2) Tighten

Tightening (viewed from filter top)

82JN146

- (1) Oil filter
- (2) 1 turn

NOTICE

To tighten the oil filter properly, it is important to accurately identify the position at which the filter gasket first contacts the mounting surface.

- 5) Tighten the filter specified turn from the point of contact with the mounting surface (or to the specified torque) using an oil filter wrench.

Tightening torque for oil filter
1 turn or
14 Nm (1.4 kg-m, 10.3 lb-ft)

NOTICE

To prevent oil leakage, make sure that the oil filter is tight, but do not over-tighten it.

Refill with Oil and Check for Leaks

- 1) Pour oil through the filler hole and install the filler cap.
- 2) For the approximate capacity of the oil, refer to the "CAPACITIES" item in the "SPECIFICATIONS" section.
- 3) Start the engine and look carefully for leaks at the oil filter and drain plug. Run the engine at various speeds for at least 5 minutes.

- 4) Stop the engine and wait about 5 minutes. Check the oil level again and add oil if necessary. Check for leaks again.

NOTICE

- **When replacing the oil filter, it is recommended that you use a Maruti genuine replacement filter. If you use an aftermarket filter, make sure it is of equivalent quality and follow the manufacturer's instructions.**
- **Oil leaks from around the oil filter or drain plug indicate incorrect installation or gasket damage. If you find any leaks or are not sure that the filter has been properly tightened, have the vehicle inspected by your MARUTI SUZUKI dealer.**

Engine Coolant

Selection of Coolant

To maintain optimum performance and durability of your engine, use MARUTI Genuine Coolant or equivalent.

This type of coolant is best for your cooling system as it:

- Helps maintain proper engine temperature.

- Gives proper protection against freezing and boiling.
- Gives proper protection against corrosion and rust.

Failure to use the proper coolant can damage your cooling system. Your authorized MARUTI SUZUKI dealer can help you select the proper coolant.

NOTICE

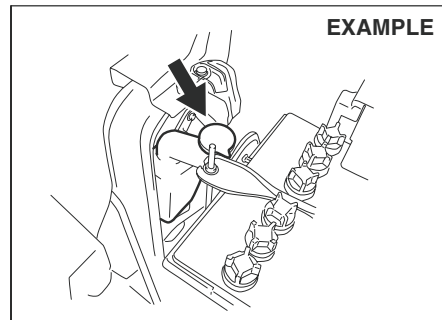
To avoid damaging your cooling system:

- **Always use a high quality ethylene glycol base non-silicate type coolant diluted with distilled water at the correct mixture concentration.**
- **Make sure that the proper mix is 30/70 coolant to distilled water and in no case higher than 70/30. Concentrations greater than 70/30 coolant to distilled water will cause overheating conditions.**
- **Do not use straight coolant nor plain water.**
- **Do not add extra inhibitors or additives. They may not be compatible with your cooling system.**
- **Do not mix different types of base coolants. Doing so may result in accelerated seal wear and/or the possibility of severe overheating and extensive engine damage.**

Coolant Level Check

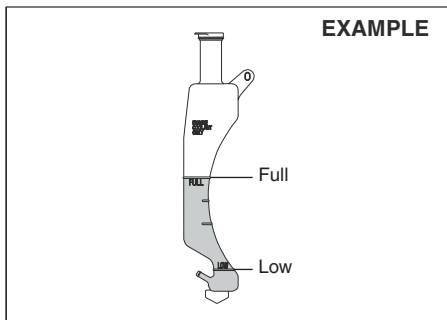
Check the coolant level at the reservoir tank, not at the radiator. With the engine cool, the coolant level should be between the "FULL" and "LOW" marks.

Adding Coolant



EXAMPLE

76MH0A107



76MH0A108

If the coolant level is below the “LOW” mark, more coolant should be added. Remove the reservoir tank cap and add coolant until the reservoir tank level reaches the “FULL” mark. Never fill the reservoir tank above the “FULL” mark.

⚠ WARNING

Engine coolant is harmful or fatal if swallowed or inhaled. Do not drink antifreeze or coolant solution. If swallowed, do not induce vomiting. Immediately contact a poison control center or a physician. Avoid inhaling mist or hot vapors; if inhaled, remove to fresh air. If coolant gets in eyes, flush eyes with water and seek medical attention. Wash thoroughly after handling. Solution can be poisonous to animals. Keep out of the reach of children and animals.

NOTICE

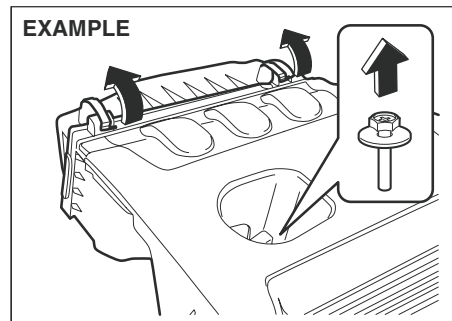
- The mixture you use should contain 50% concentration of antifreeze.
- If the lowest ambient temperature in your area is expected to be -35°C (-31°F) or below, use higher concentrations up to 60% following the instructions on the antifreeze container.

Coolant Replacement

Since special procedures are required, we recommend you take your vehicle to your MARUTI SUZUKI dealer for coolant replacement.

Air Cleaner

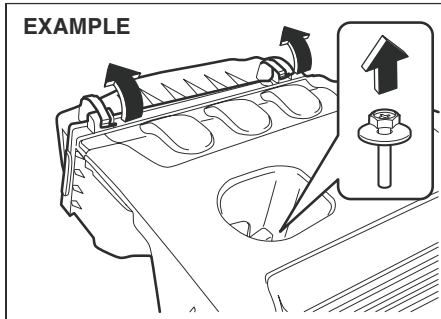
If the air cleaner is clogged with dust, there will be greater intake resistance, resulting in decreased power output and increased fuel consumption.



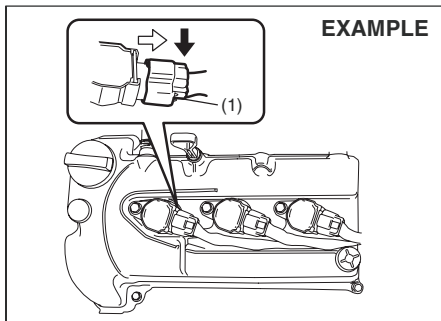
76MH0A109

Unclamp the upper clamps, and remove the element from the air cleaner case. If it appears to be dirty, replace it with a new one.

Spark Plugs



76MH0A109



68KH072

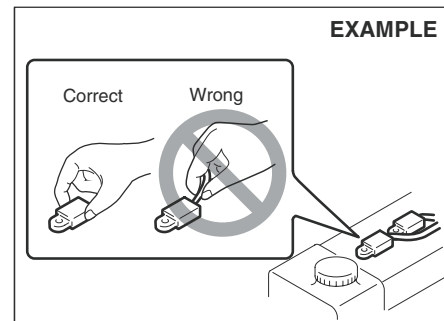
spark may not be produced. Remove carbon deposits with a wire or pin and adjust the spark plug gap.

To access the spark plugs:

- 1) Unclamp and remove the bolt, then remove the air cleaner case.
- 2) If necessary, disconnect the coupler (1) while pushing the release lever.
- 3) Remove the ignitor bolts.
- 4) Pull the spark plug boots out.

NOTE:

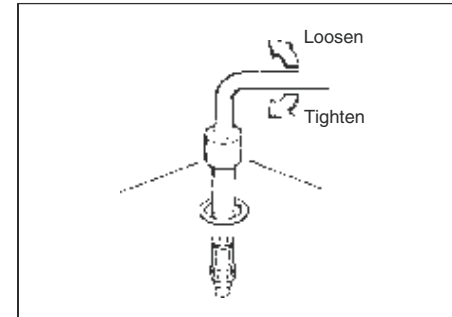
When installation, make sure the wires, couplers, sealing rubber of top cover and washers, are correctly returned in place.



78K179

NOTICE

- When pulling the ignition coils out, do not pull on the cable. Pulling on the cable can damage it.
- When servicing the iridium/platinum spark plugs (slender center electrode type plugs), do not touch the center electrode, as it is easy to damage.

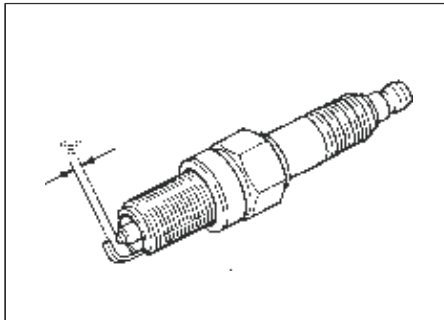


60G160S

For nickel spark plugs (traditional type): You should inspect spark plugs periodically for carbon deposits. When carbon accumulates on a spark plug, a strong

NOTICE

- When installing the spark plugs, screw them in with your fingers to avoid stripping the threads. Tighten with a torque wrench to 17.5 Nm (1.8 kg-m, 12.9 lb-ft). Do not allow contaminants to enter the engine through the spark plug holes when the plugs are removed.
- Never use spark plugs with the wrong thread size.



60B307

Spark plug gap “a”
 NGK KR6A-10:
 0.95 – 1.05 mm (0.037 – 0.041 in.)

NOTICE

When replacing spark plugs, you should use the brand and type specified for your vehicle. For the specified plugs, refer to the “SPECIFICATIONS” section at the end of this book.

Gear Oil

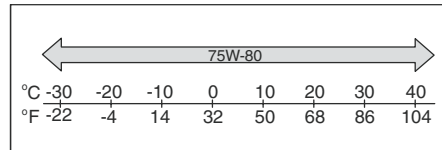
Manual Transaxle Oil

When adding gear oil, use gear oil with the appropriate viscosity and grade as shown in the chart below.

We highly recommend you use:

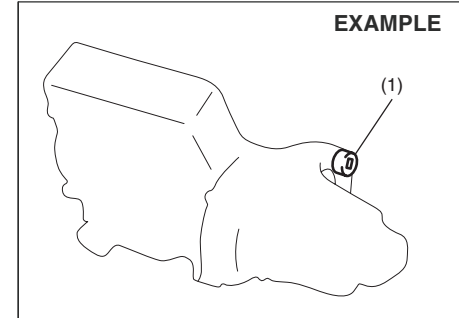
“API GL-4 SAE 75W-80” for manual transaxle gear oil or automated manual transaxle oil.

Manual transaxle oil (API GL-4)



68LM728

Gear Oil Level Check



68KH073

(1) Oil filler and level plug

To check the gear oil level, use the following procedure:

- 1) Park the vehicle on a level surface with the parking brake applied. Then, stop the engine.
- 2) Remove the oil filler plug (1).
- 3) Check the inside of the hole with your finger. If the oil level comes up to the bottom of the plug hole, the oil level is correct. If so, reinstall the plug.
- 4) If the oil level is low, add gear oil through the oil filler plug hole (1) until the oil level reaches the bottom of the filler hole, then reinstall the plug.

Tightening torque (1):
 21 Nm (2.1 kg-m, 15.5 lb-ft)

⚠ CAUTION

After driving the vehicle, the transaxle oil temperature may be high enough to burn your skin. Wait until the oil filler plug is cool enough to touch with your bare hands before inspecting transaxle oil.

NOTICE

When tightening the plug, apply the following sealing compound or equivalent to the plug threads to prevent oil leakage.

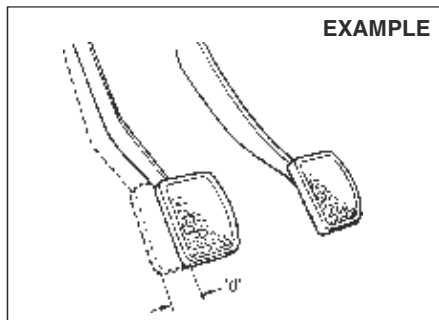
Manual transaxle sealant:
SUZUKI Bond No. "1216E" or "1217G"

Gear Oil Change

Since special procedures, materials and tools are required, it is recommended that you trust this job to your authorized MARUTI SUZUKI dealer.

Clutch Pedal

Cable control clutch (if equipped)



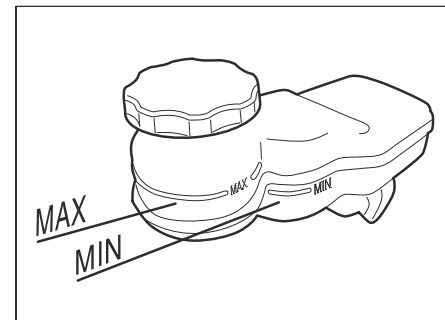
54G274

Clutch pedal play "d":
10 - 15 mm (0.4 - 0.6 in.)

Measure the clutch pedal play by moving the clutch pedal with your hand and measuring the distance it moves until you feel slight resistance. The play in the clutch pedal should be between the specified values. If the play is more or less than the above, or clutch dragging is felt with the pedal fully depressed, have the clutch inspected by your MARUTI SUZUKI dealer.

Brakes

Brake Fluid



76MH0A110

Check the brake fluid level by looking at the reservoir in the engine compartment. Check that the fluid level is between the "MAX" and "MIN" lines. If the brake fluid level is near the "MIN" line, fill it up to the "MAX" line with Maruti Genuine brake fluid.

▲ WARNING

Failure to follow the guidelines below can result in personal injury or serious damage to the brake system.

- If the brake fluid in the reservoir drops below a certain level, the brake warning light on the instrument panel will come on (the engine must be running with the parking brake fully disengaged). Should the light come on, immediately ask your MARUTI SUZUKI dealer to inspect the brake system.
- A rapid fluid loss indicates a leak in the brake system which should be inspected by your MARUTI SUZUKI dealer immediately.
- Do not use any fluid other than Maruti Genuine brake fluid. Do not use reclaimed fluid or fluid that has been stored in old or open containers. It is essential that foreign particles and other liquids are kept out of the brake fluid reservoir.

▲ CAUTION

Brake fluid can harm your eyes and damage painted surfaces. Use caution when refilling the reservoir.

▲ WARNING

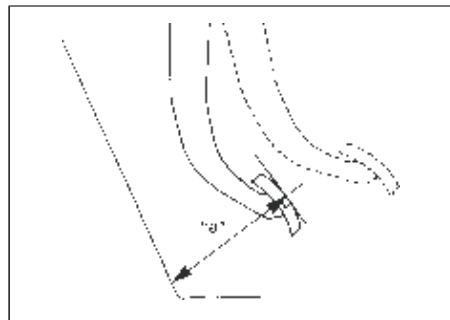
Brake fluid is harmful or fatal if swallowed, and harmful if it comes in contact with skin or eyes. If swallowed, do not induce vomiting. Immediately contact a poison control center or a physician. If brake fluid gets in eyes, flush eyes with water and seek medical attention. Wash thoroughly after handling. Solution can be poisonous to animals. Keep out of the reach of children and animals.

NOTE:

With disc brakes, the fluid level can be expected to gradually fall as the brake pads wear.

Brake Pedal

Check if the brake pedal stops at the regular height without “spongy” feeling when you depress it. If not, have the brake system inspected by your MARUTI SUZUKI dealer. If you doubt the brake pedal for the regular height, check it as follows:



54G108

**Pedal to floor carpet minimum distance “a”:
66 mm (2.6 in.)**

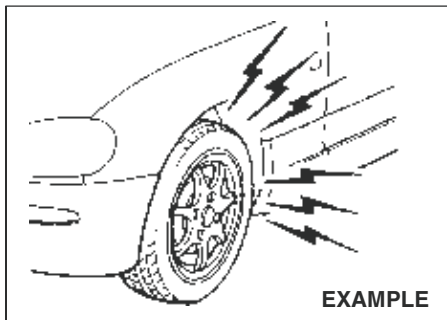
With the engine running, measure the distance between the brake pedal and floor carpet when the pedal is depressed with approximately 30 kg (66 lbs) of force. The minimum distance required is as specified. Since your vehicle’s brake system is self-adjusting, there is no need for pedal adjustment.

If the pedal to floor carpet distance as measured above is less than the minimum distance required, have your vehicle inspected by your MARUTI SUZUKI dealer.

NOTE:

When measuring the distance between the brake pedal and floor wall, be sure not to

include the floor mat or rubber on the floor wall in your measurement.



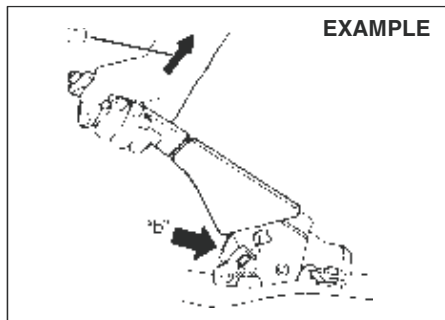
60G104A

⚠ WARNING

If you experience any of the following problems with your vehicle's brake system, have the vehicle inspected immediately by your MARUTI SUZUKI dealer.

- Poor braking performance
- Uneven braking (brakes not working uniformly on all wheels.)
- Excessive pedal travel
- Brake dragging
- Excessive noise
- Pedal pulsation (pedal pulsates when depressed) (Normal in case of ABS equipped vehicle).

Parking Brake



54G109

Ratchet tooth specification "b":

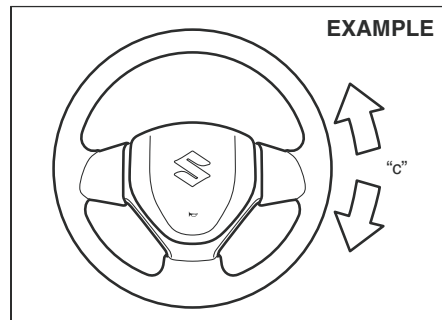
4th – 9th

Lever pull force (1):

200 N (20 kg, 44 lbs)

Check the parking brake for proper adjustment by counting the number of clicks made by the ratchet teeth as you slowly pull up on the parking brake lever to the point of full engagement. The parking brake lever should stop between the specified ratchet teeth and the rear wheels should be securely locked. If the parking brake is not properly adjusted or the brakes drag after the lever has been fully released, have the parking brake inspected and/or adjusted by your MARUTI SUZUKI dealer.

Steering



68LM708

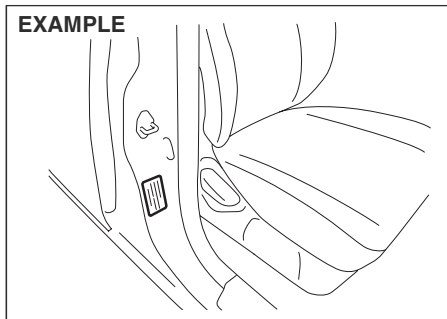
Steering wheel play "c":

0 – 30 mm (0.0 – 1.2 in.)

Check the play of the steering wheel by gently turning it from left to right and measuring the distance that it moves before you feel slight resistance. The play should be between the specified values.

Check that the steering wheel turns easily and smoothly without rattling by turning it all the way to the right and to the left while driving very slowly in an open area. If the amount of free play is outside the specification or you find anything else to be wrong, an inspection must be performed by your MARUTI SUZUKI dealer.

Tires



68KH075

The front and rear tire pressure specifications for your vehicle are listed on the Tire Information Label. Both the front and rear tires should have the specified tire pressure.

Note that the value does not apply to the compact spare tire, if equipped.

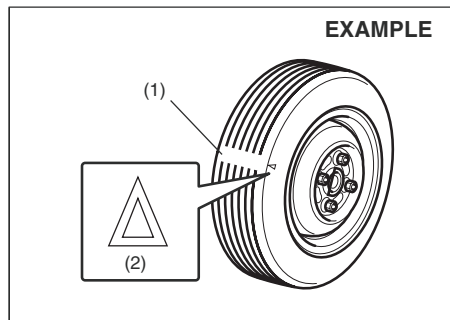
Tire Inspection

Inspect your vehicle's tires at least once a month by performing the following checks:

- 1) Measure the air pressure with a tire gauge. Adjust the pressure if necessary. Remember to check the spare tire, too.

⚠ WARNING

- Air pressures should be checked when the tires are cold or you may get inaccurate readings.
- Check the inflation pressure from time to time while inflating the tire gradually, until the specified pressure is obtained.
- Never underinflate or overinflate the tires.
- Underinflation can cause unusual handling characteristics or can cause the rim to slip on the tire bead, resulting in an accident or damage to the tire or rim.
- Overinflation can cause the tire to burst, resulting in personal injury. Overinflation can also cause unusual handling characteristics which may result in an accident.



52KM110

Tread wear indicator
Indicator location mark

- 2) Check that the depth of the tread groove is more than 1.6 mm (0.06 in.). To help you check this, the tires have molded-in tread wear indicators in the grooves. When the indicators appear on the tread surface, the remaining depth of the tread is 1.6 mm (0.06 in.) or less and the tire should be replaced.
- 3) Check for abnormal wear, cracks and damage. Any tires with cracks or other damage should be replaced. If any tires show abnormal wear, have them inspected by your MARUTI SUZUKI dealer.

NOTICE

Hitting curbs and running over rocks can damage tires and affect wheel alignment. Be sure to have tires and wheel alignment checked periodically by your **MARUTI SUZUKI** dealer.

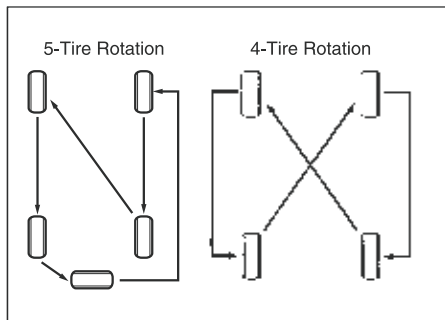
- 4) Check for loose wheel nuts.
- 5) Check that there are no nails, stones or other objects sticking into the tires.

⚠ WARNING

- Your **MARUTI SUZUKI** is equipped with tires which are all the same type and size. This is important to ensure proper steering and handling of the vehicle. Never mix tires of different size or type on the four wheels of your vehicle. The size and type of tires used should be only those approved by **MARUTI SUZUKI** as standard or optional equipment for your vehicle.
- Replacing the wheels and tires equipped on your vehicle with certain combinations of aftermarket wheels and tires can significantly change the steering and handling characteristics of your vehicle.
- Therefore, use only those wheel and tire combinations approved by **MARUTI SUZUKI** as standard or optional equipment for your vehicle.

NOTICE

Replacing the original tires with tires of a different size may result in false speedometer or odometer readings.

Tire Rotation

80JK040A

To avoid uneven wear of your tires and to prolong their life, rotate the tires as illustrated. Tires should be rotated as mentioned in periodic maintenance schedule. After rotation, adjust front and rear tire pressures to the specification listed on your vehicle's Tire Information Label.

Wheel Balancing

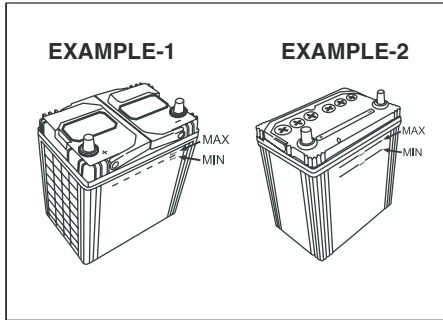
If the vehicle vibrates abnormally on smooth road, have the wheel balanced at Maruti Suzuki Authorized Workshop.

Wheel Alignment

In case of abnormal tyre wear or pulling towards one side, have the wheel aligned at Maruti Suzuki Authorized Workshop.

Battery**⚠ WARNING**

- **Batteries produce flammable hydrogen gas. Keep flames and sparks away from the battery or an explosion may occur. Never smoke when working in the vicinity of the battery.**
- **When checking or servicing the battery, disconnect the negative cable. Be careful not to cause a short circuit by allowing metal objects to contact the battery posts and the vehicle at the same time.**
- **To avoid harm to yourself or damage to your vehicle or battery, follow the jump starting instructions in the "EMERGENCY SERVICE" section of this manual if it is necessary to jump start your vehicle.**



76MH0A136A

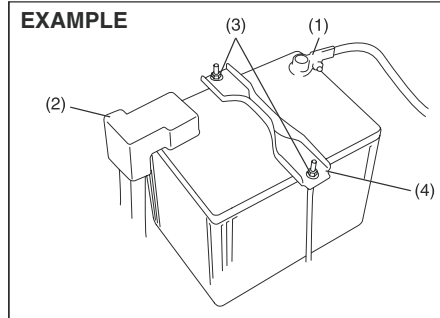
The level of the battery solution must be kept between the “MAX” and the “MIN” level lines at all times. If the level is found to be below the “MIN” level line, add distilled water to the “MAX” level line. You should periodically check the battery, battery terminals, and battery hold-down bracket for corrosion. Remove corrosion using a stiff brush and ammonia mixed with water, or baking soda mixed with water. After removing corrosion, rinse with clean water. If your vehicle is not going to be driven for a month or longer, disconnect the cable from the negative terminal of the battery to help prevent discharge.

⚠ CAUTION

Do not overfill the battery with distilled water in order to avoid spillage.

9-19

Replacement of the battery



60M-07-035

To remove the battery:

- 1) Disconnect the negative cable (1).
- 2) Disconnect the positive cable (2).
- 3) Remove the retainer nuts (3) and remove the retainer (4).
- 4) Remove the battery.

To install the battery:

- 1) Install the battery in the reverse order of removal.
- 2) Tighten the retainer nuts and battery cables securely.

NOTE:

When the battery is disconnected, some of the vehicle's function will be initialized and/or deactivated.

These function are required to reset after the battery is reconnected.

Fuses

Your vehicle has three types of fuses, as described below:

Main fuse

The main fuse takes current directly from the battery.

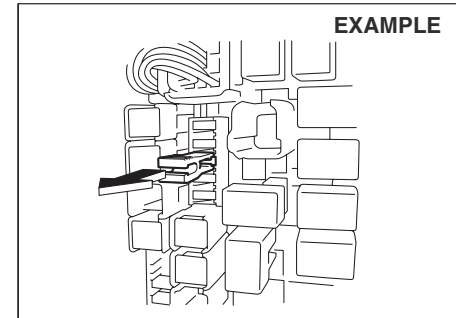
Primary fuses

These fuses are between the main fuse and individual fuses, and are for electrical load groups.

Individual fuses

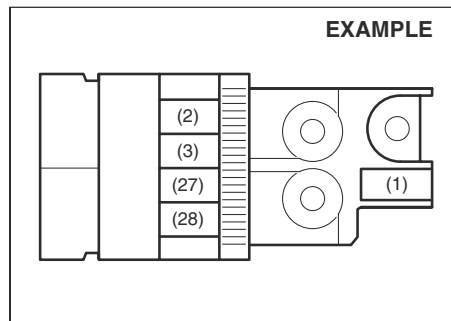
These fuses are for individual electrical circuits.

To remove a fuse, use the fuse puller provided in the fuse box.

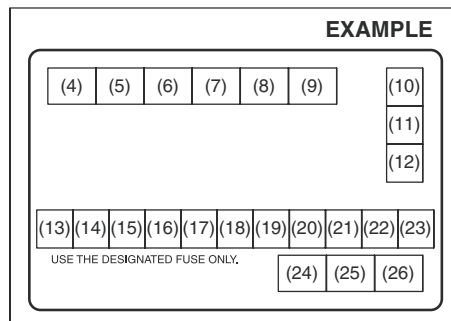


63J095

Fuses in the Engine Compartment



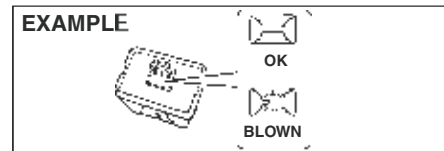
68KH076



68KH077

MAIN FUSE/PRIMARY FUSE		
(1)	80A	FL1
(2)	50A	FL5
(3)	50A	FL4
(4)	–	Front fog light relay
(5)	–	Blank
(6)	–	Blank
(7)	–	Air compressor relay
(8)	–	Back up relay
(9)	–	F/P relay
(10)	40A	ABS motor
(11)	40A	T/M pump
(12)	40A	Power steering
(13)	20A	Front fog light
(14)	7.5A	T/M 2
(15)	30A	Ignition switch
(16)	10A	Air compressor
(17)	15A	FI
(18)	10A	T/M
(19)	15A	Headlight (Right)
(20)	25A	ABS control module
(21)	15A	Headlight (Left)
(22)	30A	Starting motor
(23)	30A	Radiator fan
(24)	–	FI main relay
(25)	–	Starting motor relay
(26)	–	Radiator fan relay
(27)	80A	FL3
(28)	80A	FL2

The main fuse, primary fuses and some of the individual fuses are located in the engine compartment. If the main fuse blows, no electrical component will function. If a primary fuse blows, no electrical component in the corresponding load group will function. When replacing the main fuse, a primary fuse or an individual fuse, use a MARUTI genuine part replacement. To remove a fuse, use the fuse puller provided in the fuse box. The amperage of each fuse is shown in the back of the fuse box cover.



60G111

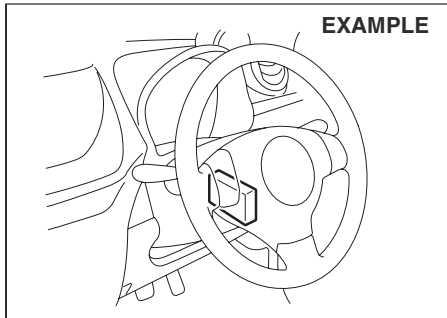
⚠ WARNING

If the main fuse or a primary fuse blows, be sure to have your vehicle inspected by an authorized MARUTI SUZUKI dealer. Always use a MARUTI genuine part replacement. Never use a substitute such as a wire even for a temporary repair, or extensive electrical damage and a fire can result.

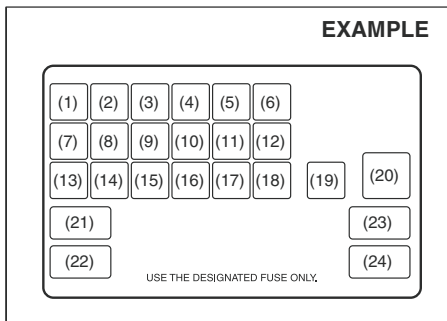
NOTE:

Make sure that the fuse box always carries spare fuses and fuse puller.

Fuses under the Dash Board



68KH078

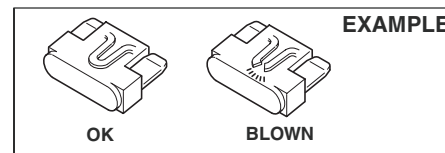


76MH0A111

MAIN FUSE/PRIMARY FUSE		
(1)	10A	Stop light
(2)	30A	Blower motor
(3)	10A	ST SIG
(4)	15A	Accessory
(5)	10A	Rear fog light
(6)	10A	Tail light
(7)	10A	Back-up light
(8)	10A	ABS
(9)	10A	Meter
(10)	15A	Ignition coil
(11)	20A	Wiper/Washer
(12)	10A	IG2 SIG
(13)	10A	IG1 SIG
(14)	10A	Air bag
(15)	20A	Power window timer
(16)	20A	Door lock
(17)	15A	Horn/Hazard
(18)	20A	Rear defogger
(19)	15A	Dome
(20)	30A	Power window
(21)	7.5A	ACC 2
(22)	15A	Radio 2
(23)	-	Blank
(24)	-	Blank

The fuse box is located under the driver's side of the dashboard.

Remove the fuse box cover by pushing in at both ends and pulling off the cover.



81A283

⚠ WARNING

Always be sure to replace a blown fuse with a fuse of the correct amperage. Never use a substitute such as aluminum foil or wire to replace a blown fuse. If you replace a fuse and the new one blows in a short period of time, you may have a major electrical problem. Have your vehicle inspected immediately by your **MARUTI SUZUKI** dealer.

Bulb Replacement

⚠ CAUTION

- Light bulbs can be hot enough to burn your finger right after being turned off. This is true especially for halogen headlight bulbs. Replace the bulbs after they become cool enough.
- The headlight bulbs are filled with pressurized halogen gas. They can burst and injure you if they are hit or dropped. Handle them carefully.

NOTICE

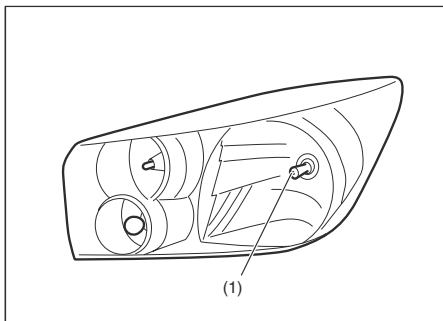
The oils from your skin may cause a halogen bulb to overheat and burst when the lights are on. Grasp a new bulb with a clean cloth.

NOTICE

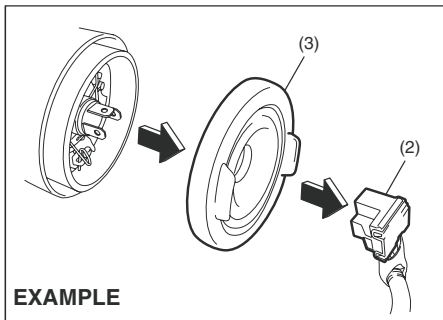
Frequent replacement of a bulb indicates the need for an inspection of the electrical system. This should be carried out by your MARUTI SUZUKI dealer.

Headlights

Halogen headlights (1)



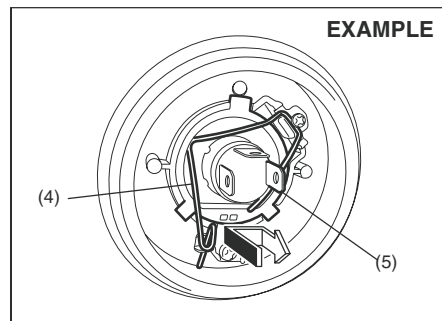
76MH0A112



EXAMPLE

76MH0A113

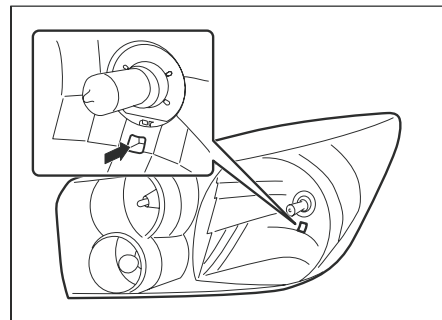
- 1) Open the engine hood. Disconnect the coupler (2). Remove the sealing rubber (3).



EXAMPLE

76MH0A114

- 2) Push the retaining spring (4) forward and unhook it. Then remove the bulb (5). Install a new bulb in the reverse order of removal.

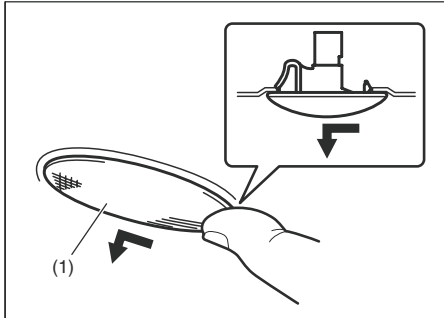


76MH0A115

NOTE:

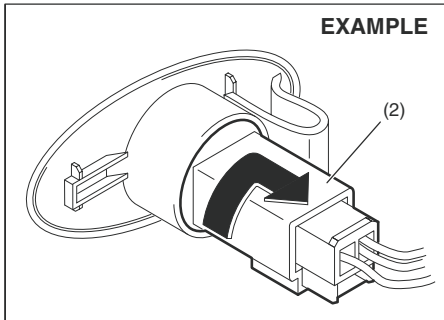
You can see the position of retaining spring from the hole of headlight.

Side Turn Signal Light (if equipped)



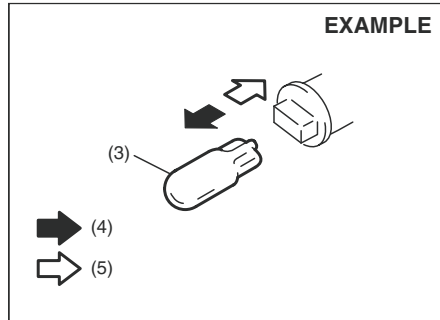
76MH0A006

1) Remove the light housing (1) by sliding to left with your finger.



76MH0A007

2) Turn the bulb holder (2) clockwise and pull it out from the light housing.

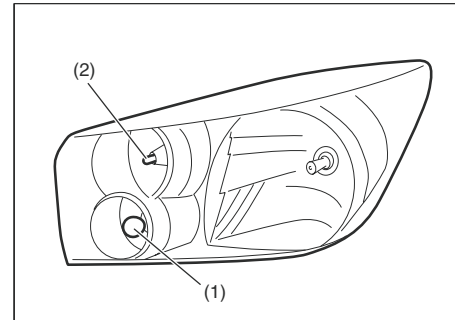


76MH0A008

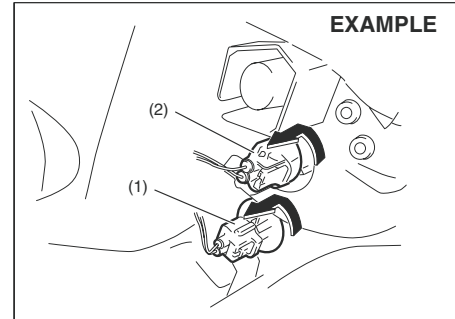
(4) Removal
(5) Install

3) To remove and install the bulb of the turn signal light (3), simply pull out or push in the bulb.

**Front Turn Signal Light (1)
Front Position Light (2)**



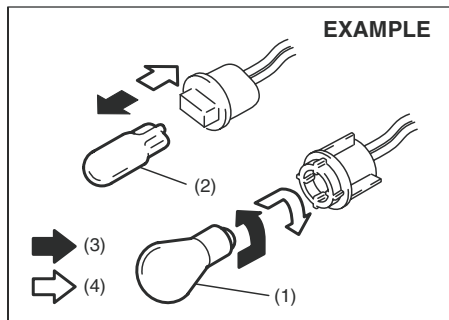
76MH0A116



76MH0A117

1) Open the engine hood. To remove the bulb holder of the front turn signal light (1) or the front position light (2) from the

light housing, turn the holder counterclockwise and pull it out.

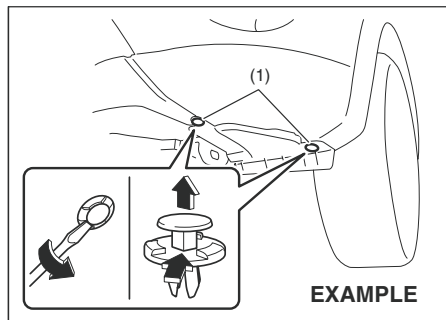


- (3) Removal
(4) Install

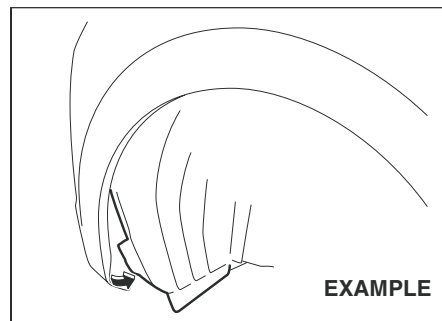
- 2) To remove the bulb of the front turn signal light (1) from the bulb holder, push in the bulb and turn it counterclockwise. To install a new bulb, push it in and turn it clockwise. To remove and install the bulb of the front position light (2), simply pull out or push in the bulb.

Front Fog Light (if equipped)

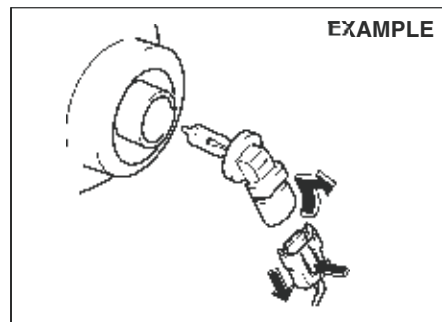
- 1) Start the engine. Turn the steering wheel to the opposite side of the replacing fog light to replace the bulb easily. Then turn off the engine.



- 2) Remove the clips (1) by prying it off with a flat blade screwdriver as shown in the illustration.

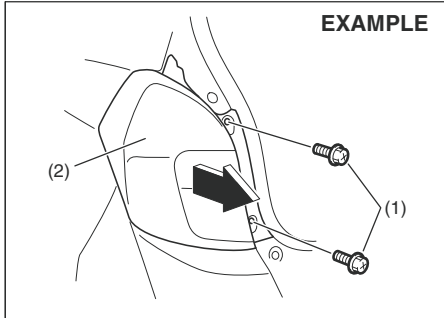


- 3) Open the end of the cover inside the fender.



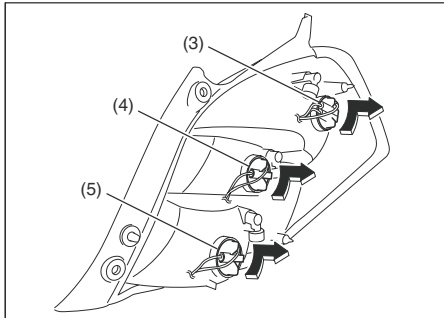
- 4) Disconnect the coupler by pushing the lock release. Turn the bulb holder counterclockwise and remove it.

Rear Combination Light



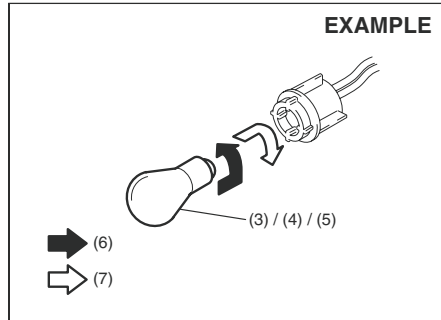
76MH0A121

- 1) Remove the bolts (1) and pull the light housing (2) straight.



76MH0A122

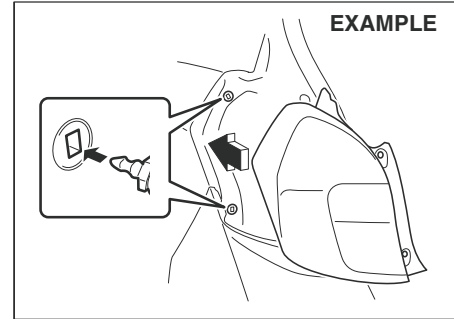
- 2) To remove the bulb holder of the tail/brake light (3), the turn signal light (4) or the reversing light (5) from the light housing, turn the holder counterclockwise and pull it out.



76MH0A123

- (6) Removal
- (7) Install

- 3) To remove the bulb of the tail/brake light (3), the turn signal light (4) or the reversing light (5) from bulb holder, push in the the bulb and turn it counterclockwise. To install a new bulb, push it in and turn it clockwise.

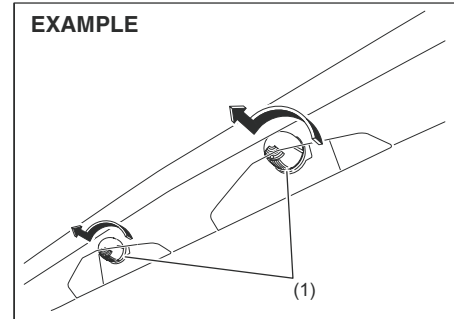


76MH0A124

NOTE:

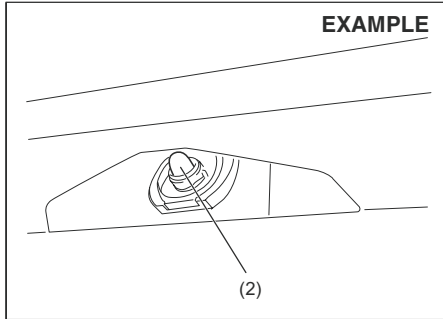
When reinstalling the light housing, make sure the clips are properly attached.

License Plate Light



76MH0A125

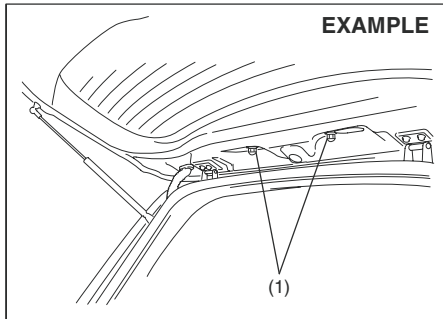
- 1) Turn the cover (1) counterclockwise to remove it.



76MH0A126

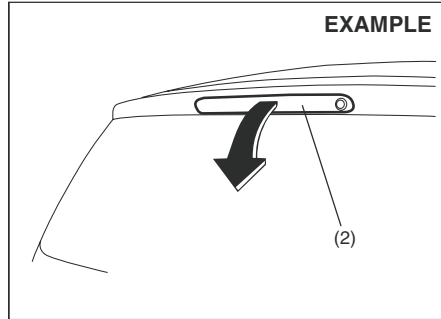
2) To remove and install the bulb of the license plate light (2), simply pull out or push in the bulb.

High-mount Stop Light



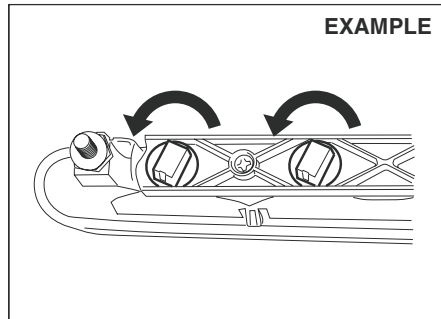
80J100

1) Open the tailgate, and remove the nuts (1) as shown in the illustration.



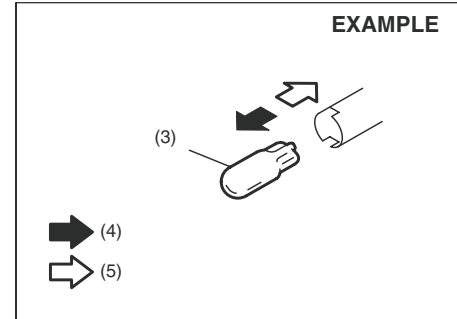
76MH0A127

2) Close the tailgate. Remove the high-mount stop light housing (2) from the tailgate.



68KS063

3) Remove the bulb holder as shown in the illustration.



76MH0A128

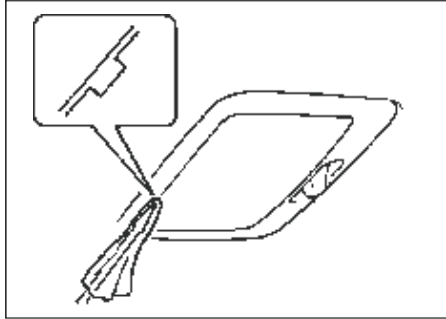
(4) Removal
(5) Install

4) To remove and install the bulb of the high-mount stop light (3), simply pull out or push in the bulb.

Interior Light

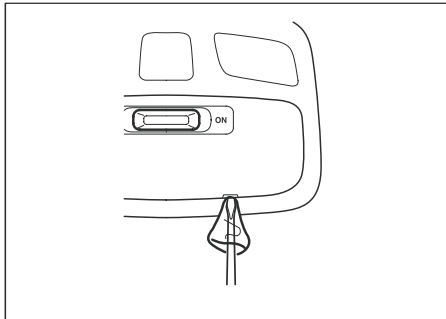
Remove the lens by using a flat blade screwdriver covered with a soft cloth as shown. To install it, simply push it back in.

Type A



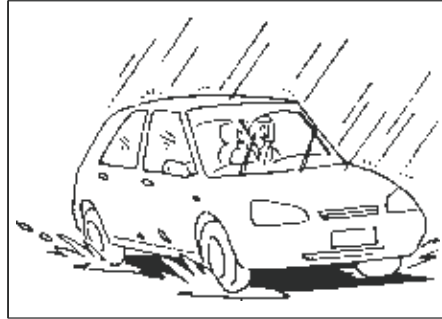
60G115

Type B



76MHOA139

Wiper Blades



54G129

If the wiper blades become brittle or damaged, or make streaks when wiping, replace the wiper blades.

To install new wiper blades, follow the procedures below.

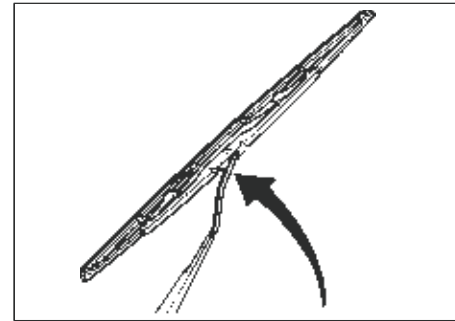
NOTICE

To avoid scratching or breaking the window, do not let the wiper arm strike the window while replacing the wiper blade.

NOTE:

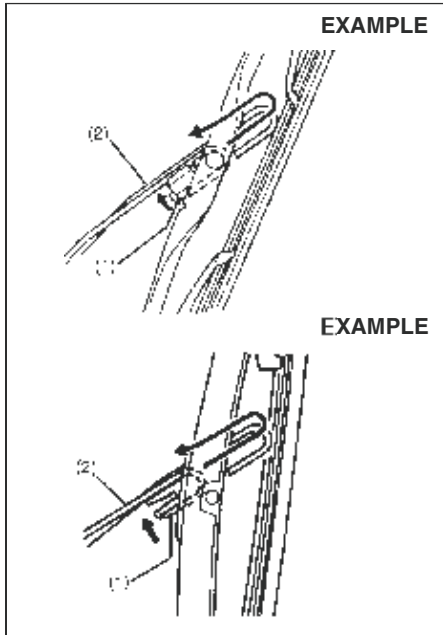
Some wiper blades may be different from the ones described here depending on vehicle specifications. If so, consult your MARUTI SUZUKI dealer for proper replacement method.

For windshield wipers:



70G119

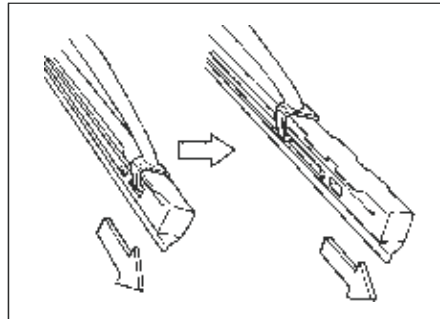
- 1) Hold the wiper arm away from the window.



54G130

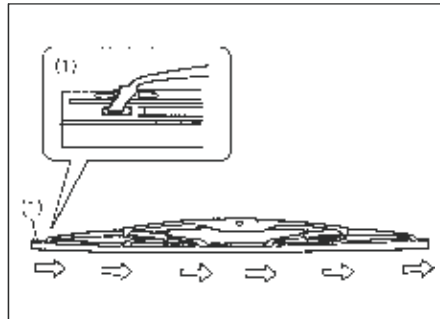
- 2) Squeeze lock (1) towards wiper arm (2) and remove the wiper frame from the arm as shown.
- 3) Unlock the lock end of the wiper blade and slide the blade out as shown.

Removal



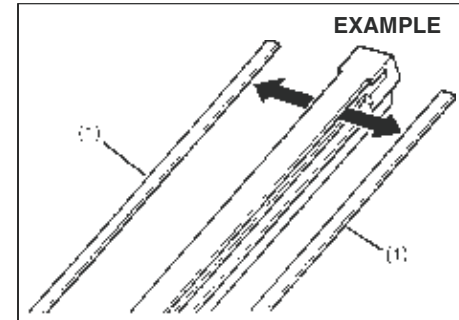
60A260

Installation



54G132

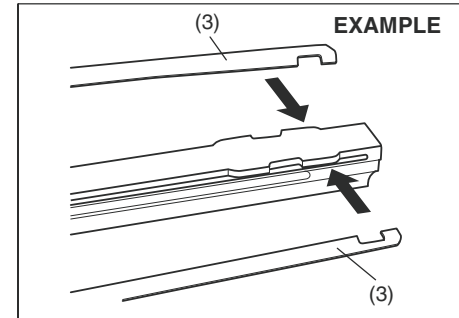
(1) Locked end



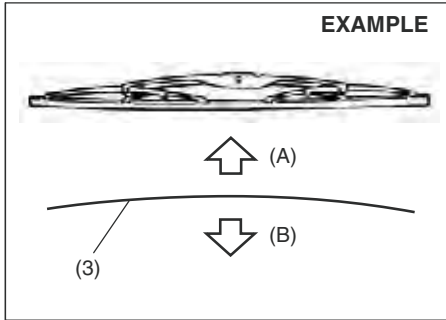
54G135

(1) Retainer

- 4) If the new blade is provided without the two metal retainers, move them from the old blade to the new one.



60MH071



60MH072

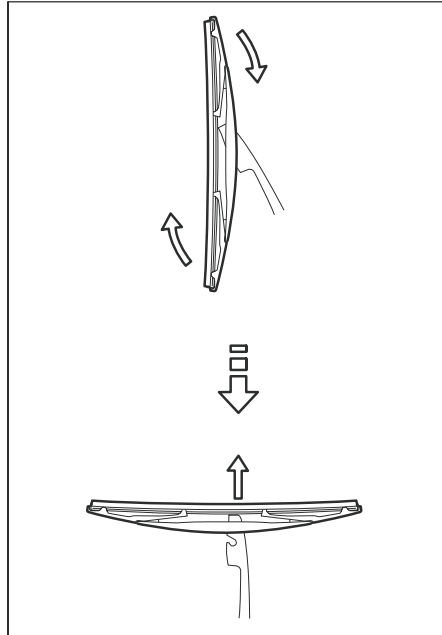
- (A) Up
- (B) Down

NOTE:

When you install the metal retainers (3), make sure the direction of metal retainers as shown in the above illustrations.

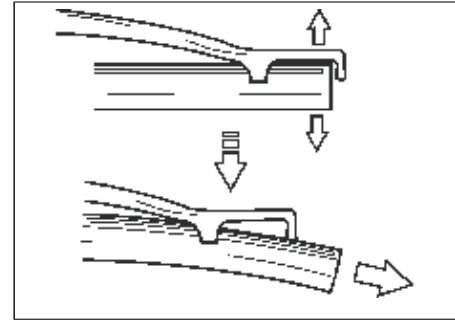
- 5) Install the new blade in the reverse order of removal, with the locked end positioned toward the wiper arm. Make sure the blade is properly retained by all the hooks. Lock the blade end into place.
- 6) Reinstall wiper frame to arm, making sure that the lock lever is snapped securely into the arm.

For rear wipers:



80G146

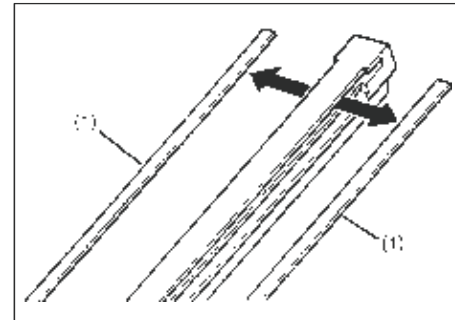
- 1) Hold the wiper arm away from the window.
- 2) Remove the wiper frame from the arm as shown.
- 3) Slide the blade out as shown.



65D151

NOTE:

Do not flex the wiper blade frame end more than necessary. If you do, it can break off.



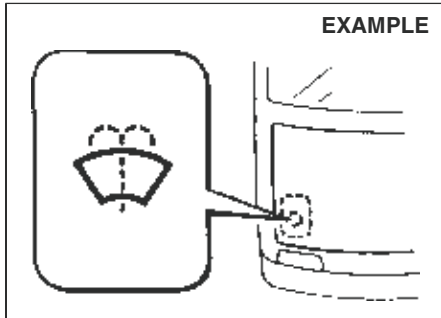
54G135

- (1) Retainer

- 4) If the new blade is provided without the two metal retainers, move them from the old blade to the new one.
- 5) Install the new blade in the reverse order of removal.
Make sure the blade is properly retained by all the hooks.
- 6) Reinstall wiper frame to arm in the reverse order of removal.

Windshield Washer Fluid

Front



80JM078

Check that there is washer fluid in the tank. Refill it if necessary. Use a good quality windshield washer fluid, diluted with water as necessary.

⚠ WARNING

Do not use "antifreeze" solution in the windshield washer reservoir. This can severely impair visibility when sprayed on the windshield, and can also damage your vehicle's paint.

NOTICE

Damage may result if the washer motor is operated with no fluid in the washer tank.

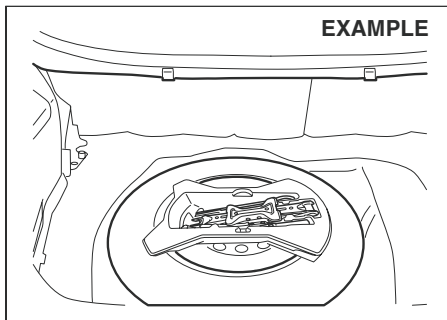
Air Conditioning System

If you do not use the air conditioner for a long period, such as during winter, it may not give the best performance when you start using it again. To help maintain optimum performance and durability of your air conditioner, it needs to be run periodically. Operate the air conditioner at least once a month for one minute with the engine idling. This circulates the refrigerant and oil and helps protect the internal components.

EMERGENCY SERVICE

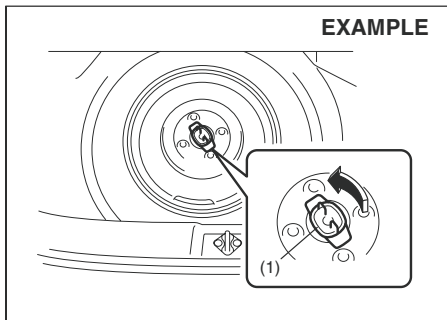
Tire Changing Tool.....	10-1
Jacking Instructions	10-1
Changing Wheels	10-3
Jump Starting Instructions.....	10-4
Towing	10-5
If the Starter Does Not Operate.....	10-6
If the Engine is Flooded	10-6
If the Engine Overheats	10-6

Tire Changing Tool



MH0-07-014

The jack, wheel wrench and jack handle are stowed in the luggage compartment.



MH0-07-014

To remove the spare tire, turn its bolt (1) counterclockwise and remove it.

177

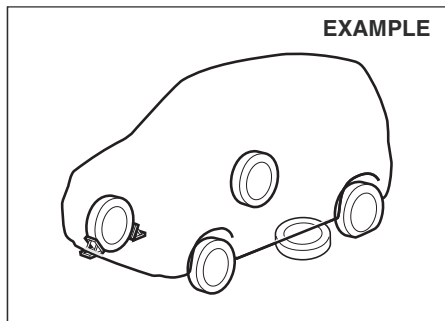
⚠ WARNING

After using the tire changing tools, be sure to stow them securely or they can cause injury if an accident occurs.

⚠ CAUTION

The jack should be used only to change wheels. It is important to read the jacking instructions in this section before attempting to use the jack.

Jacking Instructions



MH0-07-014

- 1) Place the vehicle on level, hard ground.
- 2) Set the parking brake firmly and shift into "R" (Reverse).

⚠ WARNING

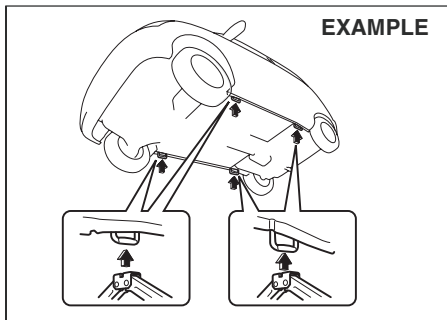
- Be sure to shift into "R" (Reverse) when you jack up the vehicle.
- Never jack up the vehicle with the transaxle in "N" (Neutral). Otherwise, unstable jack may cause an accident.

- 3) Turn on the hazard warning flasher if your vehicle is near traffic.
- 4) Block the front and rear of the wheel diagonally opposite of the wheel being lifted.
- 5) Place the spare wheel near the wheel being lifted as shown in the illustration in case that the jack slips.

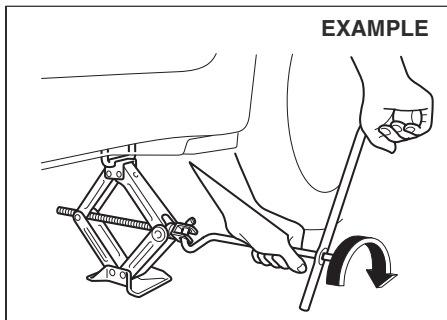
EXAMPLE



MH0-07-001



MH0-07-014



MH0-07-014

- 6) Position the jack vertically and raise the jack by turning the jack handle clockwise until the jack head groove fits around the jacking bar beneath the vehicle body. See illustrations.

- 7) Continue to raise the jack slowly and smoothly until the tire clears the ground. Do not raise the vehicle more than necessary.

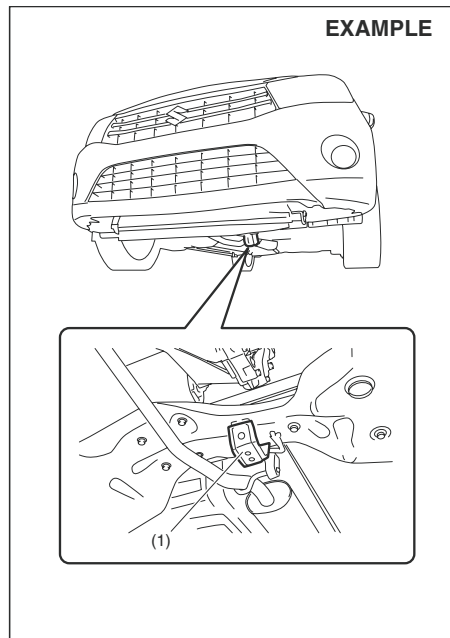
⚠ WARNING

- Use the jack only to change wheels on level, hard ground.
- Never jack up the vehicle on an inclined surface.
- Never raise the vehicle with the jack in a location other than the specified jacking point (shown in the illustration) near the wheel to be changed.
- Make sure that the jack is raised at least 51 mm (2 inches) before it contacts the flange. Use of the jack when it is within 51 mm (2 inches) of being fully collapsed may result in failure of the jack.
- Never get under the vehicle when it is supported by the jack.
- Never run the engine when the vehicle is supported by the jack and never allow passengers to remain in the vehicle.

To Raise the Vehicle with a Garage Jack

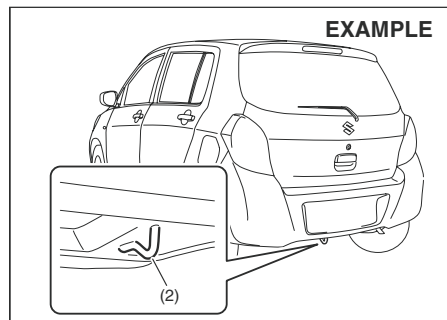
- Apply the garage jack to one of the points indicated below.
- Always support the raised vehicle with jack stands (commercially available) at the points indicated below.

Front jacking point for garage jack (1)



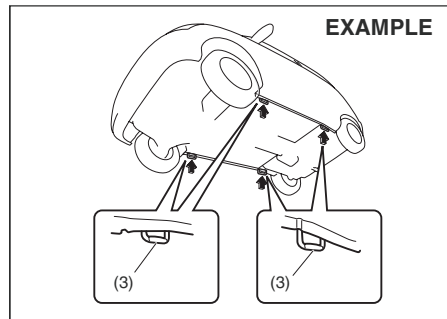
MH0-07-014

Rear jacking point for garage jack (2)



MH0-07-014

Application point for jack stand (3) or two-column lift



MH0-07-014

NOTICE

Never apply a garage jack to the exhaust pipe, side under spoiler (if equipped), engine undercover or rear torsion beam.

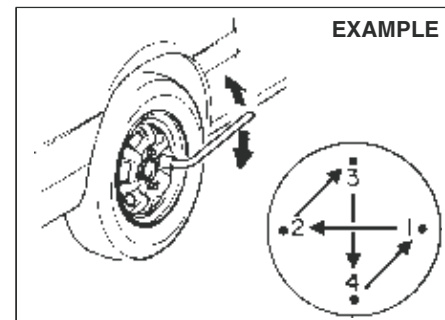
NOTE:

For more details, please contact an authorized MARUTI SUZUKI dealer.

Changing Wheels

To change a wheel, use the following procedure:

- 1) Clear all passengers and luggage from the vehicle.
- 2) Remove the jack, tools and spare wheel from the vehicle.
- 3) Loosen, but do not remove the wheel nuts.
- 4) Jack up the vehicle.
- 5) Remove the wheel nuts and wheel.
- 6) Before installing the new wheel, clean any mud or dirt off from the surface of the wheel and hub with a clean cloth. Clean the hub carefully; it may be hot from driving.
- 7) Install the new wheel and replace the wheel nuts with their cone shaped end facing the wheel. Tighten each nut snugly by hand until the wheel is securely seated on the hub.



MH0-07-014

Tightening torque for wheel nut 85 Nm (8.7 kg-m, 62.7 lb-ft)

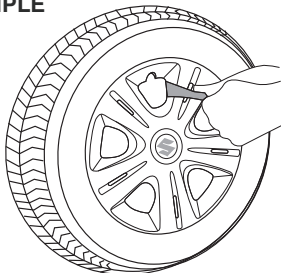
- 8) Lower the jack and fully tighten the nuts in a crisscross fashion with a wrench as shown in the illustration.

⚠ WARNING

Use genuine wheel nuts and tighten them to the specified torque as soon as possible after changing wheels. Incorrect wheel nuts or improperly tightened wheel nuts may come loose or fall off, which can result in an accident. If you do not have a torque wrench, have the wheel nut torque checked by an authorized MARUTI SUZUKI dealer.

Full Wheel Cover (if equipped)

EXAMPLE



MH0-07-014

Insert a piece of cloth between the spokes of the wheel cover and try to pull the cover outward (as shown in figure). Take out the detached wheel cover from the wheel rim. For installation first match the slot at the wheel cover with the air filling nozzle of the wheel. Apply equal pressure at the circumference of the wheel cover to fix it in the wheel rim.

EXAMPLE



MH0-07-001

When installing the cover, make sure that it is positioned so that it does not cover or foul the air valve.

10-4

After Changing Wheels

Stow the tyre changing tools (jack, jack handle and lug wrench) in place. Also, stow the flat tyre in the spare tyre stowed position. Refer to "Tyre Changing Tool" in this section.

NOTICE

Repair or replace the flat tyre immediately. If the flat tyre is placed in the spare tyre stowed position for long time, it can cause vehicle shakiness, noise, or scratches.

Jump Starting Instructions

⚠ WARNING

- Never attempt to jump start your vehicle if the battery appears to be frozen. Batteries in this condition may explode or rupture if jump starting is attempted.
- When making jump lead connections, be certain that your hands and the jump leads remain clear from pulleys, belts, or fans.
- Batteries produce flammable hydrogen gas. Keep flames and sparks away from the battery or an explosion may occur. Never smoke when working in the vicinity of the battery.
- If the booster battery you use for jump starting is installed in another vehicle, make sure the two vehicles are not touching each other.
- If your battery discharges repeatedly,

⚠ WARNING

for no apparent reason, have your vehicle inspected by an authorized MARUTI SUZUKI dealer.

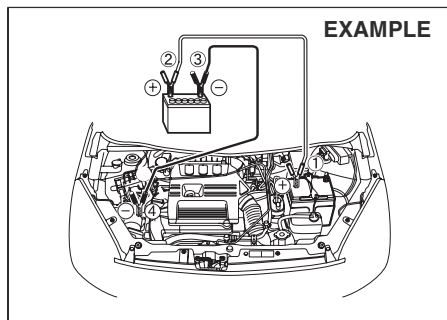
- To avoid harm to yourself or damage to your vehicle or battery, follow the jump starting instructions below precisely and in order.
- If you are in doubt, call for qualified road service.

NOTICE

Your vehicle should not be started by pushing or towing. This starting method could result in permanent damage to the catalytic converter. Use jump leads to start a vehicle with a weak or flat battery.

When Jump Starting Your Vehicle, Use the Following Procedure:

- 1) Use only a 12-volt battery to jump start your vehicle. Position the good 12-volt battery close to your vehicle so that the jump leads will reach both batteries. When using a battery installed on another vehicle, DO NOT LET THE VEHICLES TOUCH. Set the parking brakes fully on both vehicles.
- 2) Turn off all vehicle accessories, except those necessary for safety reasons (for example, headlights or hazard lights).



MH0-07-014

- 3) Make jump lead connections as follows:
1. Connect one end of the first jump lead to the positive (+) terminal of the flat battery (1).
 2. Connect the other end to the positive (+) terminal of the booster battery (2).
 3. Connect one end of the second jump lead to the negative (-) terminal of the booster battery (3).
 4. Make the final connection to an unpainted, heavy metal part (i.e. engine mounting stud/nut (4)) of the engine of the vehicle with the flat battery (1).

⚠ WARNING

Never connect the jump lead directly to the negative (-) terminal of the discharged battery, or an explosion may occur.

- 4) If the booster battery you are using is fitted to another vehicle, start the engine of the vehicle with the booster battery. Run the engine at moderate speed.
- 5) Start the engine of the vehicle with the flat battery.
- 6) Remove the jump leads in the exact reverse order in which you connected them.

Towing

If you need to have your vehicle towed, contact a professional service. Your dealer can provide you with detailed towing instructions.

NOTICE

To help avoid damage to your vehicle during towing, proper equipment and towing procedures must be used.

2-Wheel Drive (2WD) Manual Transaxle or Automated Manual Transaxle

Manual transaxle vehicles or automated manual transaxle vehicles may be towed

using either of the following methods.

- 1) From the front, with the front wheels lifted and the rear wheels on the ground. Before towing, make sure that the parking brake is released.
- 2) From the rear, with the rear wheels lifted and the front wheels on the ground, provided the steering and drivetrain are in operational condition. Before towing, make sure that transaxle is in neutral, the steering wheel is unlocked (the ignition key should be in the "ACC" position), and the steering wheel is secured with a clamping device designed for towing service.

NOTICE

After shifting the automated manual transaxle gearshift lever to the "N" position, always check the gear position indicator in the instrument cluster shows the "N" position to make sure that the transaxle is disengaged.

If the transaxle cannot be put in neutral, turn the key from the "OFF" to the "ON" position, and move the automated manual transaxle gearshift lever from "N" to "D", "M" or "R", then back to "N" again. Then turn the key from the "ON" to the "OFF" position.

NOTICE

These procedures may help put the transaxle in neutral. If the transaxle still cannot be put in neutral, you cannot tow the vehicle without using a towing dolly.

NOTICE

The steering column is not strong enough to withstand shocks transmitted from the front wheels during towing. Always unlock the steering wheel before towing.

If the Starter Does Not Operate

- 1) Try turning the ignition switch to the "START" position with the headlights turned on to determine the battery condition. If the headlights go excessively dim or go off, it usually means that either the battery is flat or the battery terminal contact is poor. Recharge the battery or correct battery terminal contact as necessary.
- 2) If the headlights remain bright, check the fuses. If the reason for failure of the starter is not obvious, there may be a major electrical problem. Have the vehicle inspected by your authorized MARUTI SUZUKI dealer.

If the Engine is Flooded

If the engine is flooded with gasoline, it may be hard to start. If this happens, press the accelerator pedal all the way to the floor and hold it there while cranking the engine. (Do not operate the starter motor for more than 15 seconds).

If the Engine Overheats

The engine could overheat temporarily under severe driving conditions. If the high engine coolant temperature warning light comes on as overheating during driving:

- 1) Turn off the air conditioner, if equipped.
- 2) Take the vehicle to a safe place and park.
- 3) Let the engine run at the normal idle speed for a few minutes until the high engine coolant temperature warning light goes off.

▲ WARNING

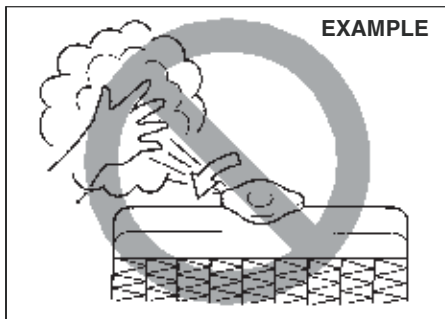
If you see or hear escaping steam, stop the vehicle in a safe place and immediately turn off the engine to let it cool. Do not open the hood when steam is present. When the steam can no longer be seen or heard, open the hood to see if the coolant is still boiling. If it is, you must wait until it stops boiling before you proceed.

If the high engine coolant temperature warning light does not go off:

- 1) Turn off the engine and check that the water pump belt and pulleys are not damaged or slipping. If any abnormality is found, correct it.
- 2) Check the coolant level in the reservoir. If it is found to be lower than the "LOW" line, look for leaks at the radiator, water pump, and radiator and heater hoses. If you locate any leaks that may have caused the overheating, do not run the engine until these problems have been corrected.
- 3) If you do not find a leak, carefully add coolant to the reservoir and then the radiator, if necessary. (Refer to "Engine Coolant" in the "INSPECTION AND MAINTENANCE" section.)

NOTE:

If your engine overheats and you are unsure what to do, contact your MARUTI SUZUKI dealer.



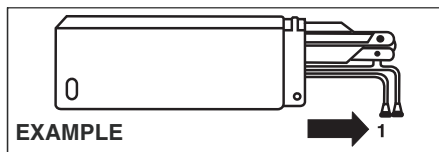
MH0-07-014

⚠ WARNING

It is hazardous to remove the radiator cap (or degassing tank cap for a diesel engine) when the water temperature is high, because scalding fluid and steam may be blown out under pressure. The cap should only be taken off when the coolant temperature has lowered.

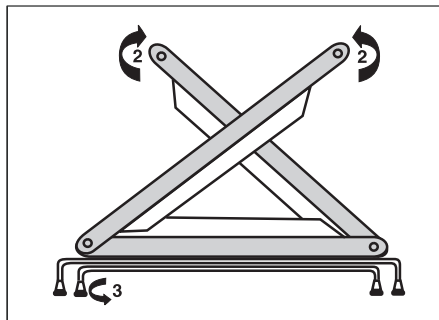
To help prevent personal injury, keep hands, tools and clothing away from the engine cooling fan and air-conditioner fan (if equipped). These electric fans can automatically turn on without warning.

Warning Triangle



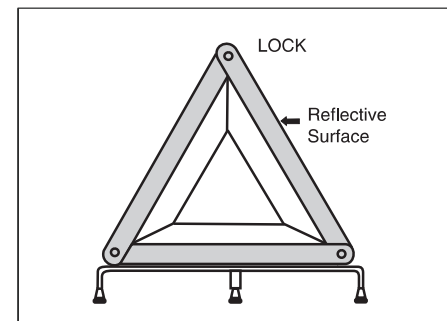
MH0-07-001

In case of vehicle break-down or during emergency stopping, where your vehicle could become a potential traffic hazard, keep the warning triangle, provided with your vehicle, on the road free from any obstacles behind your vehicle so as to warn the approaching traffic, at an approximate distance of 50-100 m. The reflecting side of the triangle should face the on coming traffic. Please activate the hazard warning lamps before alighting the vehicle to keep the warning triangle.



MH0-07-014

- Remove the warning triangle carefully from the cover as shown by arrow 1.
- Open both the reflector arms as shown by arrow with the clip provided in the right arm. Open the bottom stand in counter clock-wise direction as shown by arrow 3. Position the warning triangle behind the vehicle on a plain surface.
- Reverse the removal procedure for keeping inside the cover.



MH0-07-014

APPEARANCE CARE

Corrosion Prevention

It is important to take good care of your vehicle to protect it from corrosion. Listed below are instructions for how to maintain your vehicle to prevent corrosion. Please read and follow these instructions carefully.

Important Information About Corrosion

Common cause of corrosion

- 1) Accumulation of road salt, dirt, moisture, or chemicals in hard-to-reach areas of the vehicle underbody or frame.
- 2) Chipping, scratches and any damage to treated or painted metal surfaces resulting from minor accidents or abrasion by stones and gravel.

Environmental conditions which accelerate corrosion

- 1) Road salt, dust control chemicals, sea air or industrial pollution will all accelerate the corrosion of metal.
- 2) High humidity will increase the rate of corrosion particularly when the temperature range is just above the freezing point.
- 3) Moisture in certain areas of a vehicle for an extended period of time may promote corrosion even though other body sections may be completely dry.

- 4) High temperatures will cause an accelerated rate of corrosion to parts of the vehicle which are not well ventilated to permit quick drying.

This information illustrates the necessity of keeping your vehicle (particularly the underbody) as clean and dry as possible. It is equally important to repair any damage to the paint or protective coatings as soon as possible.

How to Help Prevent Corrosion

Wash your vehicle frequently

The best way to preserve the finish on your vehicle and to help avoid corrosion is to keep it clean with frequent washing. Wash your vehicle at least once during the winter and once immediately after the winter. Keep your vehicle, particularly the underside, as clean and dry as possible. If you frequently drive on salted roads, your vehicle should be washed at least once a month during the winter. If you live near the ocean, your vehicle should be washed at least once a month throughout the year.

For washing instructions, refer to the "Vehicle Cleaning" section.

Remove foreign material deposits

Foreign material such as salts, chemicals, road oil or tar, tree sap, bird droppings and industrial fall-out may damage the finish of your vehicle if it is left on painted surfaces. Remove these types of deposits as quickly as possible. If these deposits are difficult to wash off, an additional cleaner may be required. Be sure that any cleaner you use is not harmful to painted surfaces and is specifically intended for your purposes. Follow the manufacturer's directions when using these special cleaners.

Repair finish damage

Carefully examine your vehicle for damage to the painted surfaces. Should you find any chips or scratches in the paint, touch them up immediately to prevent corrosion from starting. If the chips or scratches have gone through to the bare metal, have a qualified body shop make the repair.

Keep passenger and luggage compartments clean

Moisture, dirt or mud can accumulate under the floor mats and may cause corrosion. Occasionally, check under these mats to ensure that this area is clean and dry. More frequent checks are necessary if the vehicle is used off road or in wet weather.

Certain cargos such as chemicals, fertilizers, cleaners, salts, etc. are extremely corrosive by nature. These products should be transported in sealed containers. If a spill or leak does occur, clean and dry the area immediately.

Store your vehicle in a dry, well-ventilated area

Do not park your vehicle in a damp, poorly ventilated area. If you often wash your vehicle in the garage or if you frequently drive it in when wet, your garage may be damp. The high humidity in the garage may cause or accelerate corrosion. A wet vehicle may corrode even in a heated garage if the ventilation is poor.

⚠ WARNING

Do not apply additional undercoating or rust preventive coating on or around exhaust system components such as the catalytic converter, exhaust pipes, etc. A fire could be started if the undercoating substance becomes overheated.

Vehicle Cleaning



MH0-07-014

⚠ WARNING

When cleaning the interior or exterior of the vehicle, NEVER USE flammable solvents such as lacquer thinners, gasoline, benzene or cleaning materials such as bleaches or strong household detergents. The materials could cause personal injury or damage to the vehicle.

Cleaning the Interior

Vinyl upholstery

Prepare a solution of soap or mild detergent mixed with warm water. Apply the solution to the vinyl with a sponge or soft cloth and let it soak for a few minutes to loosen dirt.

Rub the surface with a clean, damp cloth to remove dirt and the soap solution. If some dirt still remains on the surface, repeat this procedure.

Fabric upholstery

Remove loose dirt with a vacuum cleaner. Using a mild soap solution, rub stained areas with a clean damp cloth. To remove soap, rub the areas again with a cloth dampened with water. Repeat this until the stain is removed, or use a commercial fabric cleaner for tougher stains. If you use a fabric cleaner, carefully follow the manufacturer's instructions and precautions.

Seat belts

Clean seat belts with a mild soap and water. Do not use bleach or dye on the belts. They may weaken the fabric in the belts.

Vinyl floor mats

Ordinary dirt can be removed from vinyl with water or mild soap. Use a brush to help loosen dirt. After the dirt is loosened, rinse the mat thoroughly with water and dry it in the shade.

Carpets

Remove dirt and soil as much as possible with a vacuum cleaner. Using a mild soap solution, rub stained areas with a clean damp cloth. To remove soap, rub the areas again with a cloth dampened with water. Repeat this until the stain is removed, or use a commercial carpet cleaner for tougher stains. If you use a carpet cleaner, carefully follow the manufacturer's instructions and precautions.

Cleaning the Exterior

NOTICE

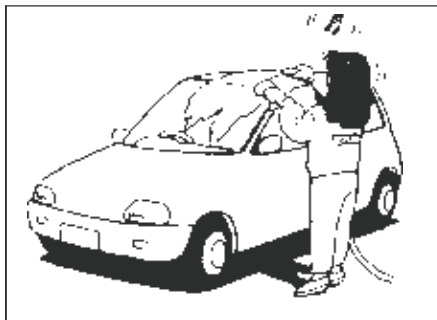
It is important that your vehicle be kept clean and free from dirt. Failure to keep your vehicle clean may result in fading of the paint or corrosion to various parts of the vehicle body.

Caring for Aluminum Wheels

NOTE:

- Do not use an acidic or alkaline detergent to wash aluminum wheels. These types of detergent will cause permanent spots, discoloration and cracks on finished surfaces.
- Do not use a bristle brush and soap containing an abrasive material. These will damage finished surfaces.

Washing



MH0-07-014

⚠ WARNING

- Never attempt to wash and wax your vehicle with the engine running.
- When cleaning the underside of the body and fender, where there may be sharp-edged parts, you should wear gloves and a long-sleeved shirt to protect your hands and arms from being cut.
- After washing your vehicle, carefully test the brakes before driving to make sure they have maintained their normal effectiveness.

When washing the vehicle, park it where direct sunlight does not fall on it and follow the instructions below:

- 1) Flush the underside of body and wheel housings with pressurized water to remove mud and debris. Use plenty of water.

NOTICE

When washing the vehicle:

- Avoid directing steam or hot water of more than 80°C (176°F) on plastic parts.
- To avoid damaging engine components, do not use pressurized water in the engine compartment.

- 2) Rinse the body to loosen the dirt. Remove dirt and mud from the body exterior with running water. You may use a soft sponge or brush. Do not use hard materials which can scratch the paint or plastic. Remember that the headlight covers or lenses are made of plastic in many cases.

NOTICE

To avoid damage to the paint or plastic surface, do not wipe the dirt off without ample water. Be sure to follow above procedure.

- 3) Wash the entire exterior with a mild detergent or car wash soap using a sponge or soft cloth. The sponge or cloth should be frequently soaked in the soap solution.

NOTICE

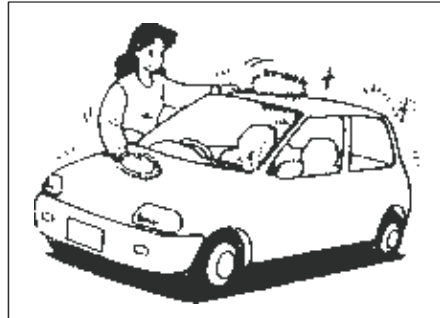
When using a commercial car wash product, observe the cautions specified by the manufacturer. Never use strong household detergents or soaps.

- 4) Once the dirt has been completely removed, rinse off the detergent with running water.
- 5) After rinsing, wipe off the vehicle body with a wet chamois or cloth and allow it to dry in the shade.
- 6) Check carefully for damage to painted surfaces. If there is any damage, “touch-up” the damage following the procedure below:
1. Clean all damaged spots and allow them to dry.
 2. Stir the paint and “touch-up” the damaged spots lightly using a small brush.
 3. Allow the paint to dry completely.

NOTICE

If you use an automatic car wash, make sure that your vehicle's body parts, such as spoilers, cannot be damaged. If you are in doubt, consult the car wash operator for advice.

Waxing



60B211S

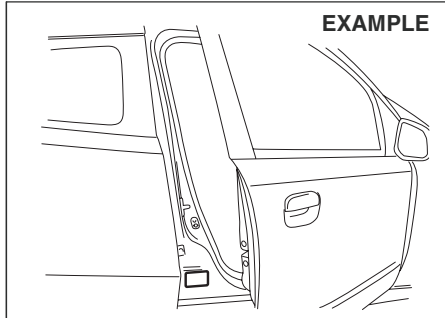
After washing the vehicle, waxing and polishing are recommended to further protect and beautify the paint.

- Only use waxes and polishes of good quality.
- When using waxes and polishes, observe the precautions specified by the manufacturers.

GENERAL INFORMATION

Vehicle Identification

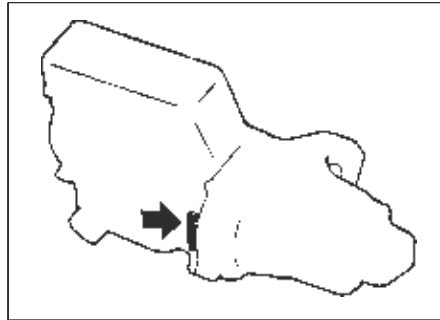
Chassis Serial Number



MH0-07-014

The chassis and/or engine serial numbers are used to register the vehicle. They are also used to assist your dealer when ordering or referring to special service information. Whenever you have occasion to consult your MARUTI SUZUKI dealer, remember to identify your vehicle with this number. Should you find the number difficult to read, you will also find it on the identification plate.

Engine Serial Number



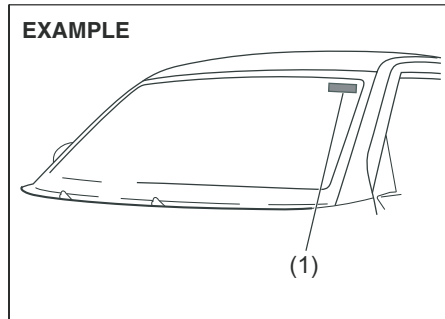
MH0-07-014

The engine serial number is stamped on the cylinder block as shown in the illustration.

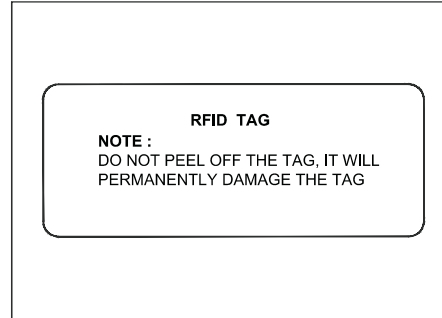
Radio frequency identification (RFID) tag (if equipped)

As per Ministry of Road Transport and Highways, the Radio frequency identification (RFID) tag (1) is mandatory for each vehicle for the purpose of electronic toll collection or any other purpose as may be defined by the Government of India.

In case of any damage to RFID tag or replacement of front windscreen, please contact your nearest Maruti Suzuki Authorized workshop.

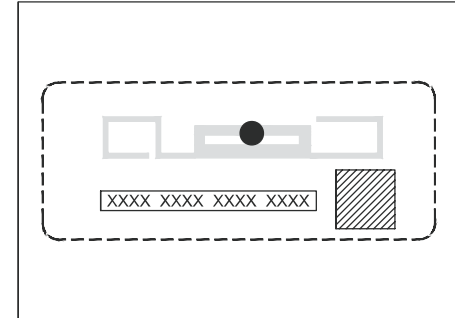


As seen from inside of the vehicle



Note:
The picture shown is for indicative purpose only. Internal structure of actual device mounted on vehicle may be different.

As seen from outside of the vehicle



Note:
The picture shown is for indicative purpose only. Internal structure of actual device mounted on vehicle may be different.

Note:

- RFID tag needs to be registered by government authorized agency (if applicable).
- Any attempt to remove the tag from the windscreen will result in permanent damage to the tag.
- Use of chemical cleaners to clean the windscreen area where the tag is mounted can damage the tag.
- Use of any sharp objects on the tag can damage the tag.

SPECIFICATIONS

NOTE:

Specifications are subject to change without notice.

M/T: Manual transaxle

AMT: Automated manual transaxle

ITEM: Dimensions		UNIT: mm
Overall length		3600
Overall width		1600
Overall height		1560
Wheelbase		2425
Track	Front	1420
	Rear	1410
Ground clearance		165

ITEM: Mass (weight)		UNIT: kg
Curb mass (weight)	M/T	810 - 830
	AMT	815 - 825
Gross vehicle mass (weight) rating		1250
Permissible maximum Axle Weight	Front	680
	Rear	640

ITEM: Engine	
Type	K10B (DOHC)
Number of cylinders	3
Bore	73.0 mm
Stroke	79.5 mm
Piston displacement	998 cm ³
Compression ratio	11.0 ± 0.4 : 1

ITEM: Electrical		
Standard spark plug	Nickel plug	NGK KR6A-10
Battery		12V 34B19L
Fuses		See "INSPECTION AND MAINTENANCE" section.

SPECIFICATIONS

MH0-74E

ITEM: Lights		WATTAGE	BULB No.
Headlight		12V 60/55W	H4
Front fog light (if equipped)		12V 35W	H8/PSX24W
Position light		12V 5W	W5W
Turn signal light	Front	12V 21W	PY21W
	Rear	12V 21W	PY21W
Side turn signal light		12V 5W	WY5W/W5W
		LED	–
Brake/tail light		12V 21/5W	P21/5W
High mount stop light		12V 5W	W5W
Reversing light		12V 21W	P21W
License plate light		12V 5W	W5W
Interior light		12V 10W	–

ITEM: Wheels and Tires	
Tire size, front and rear	155/80R13 79S ^{*1} 165/70R14 81S ^{*1}
Rim size	155/80R13 79S tire: 13 × 4 1/2J 165/70R14 81S tire: 14 × 5J ^{*2}
Tire pressures	For the specified tire pressure, see the Tire Information Label located on the driver's door lock pillar.

*1: When tire replacement is necessary and if the specified load index and speed rated tire is not available, then use a tire of higher load index and speed rating.

*2: The spare wheel provided with alloy wheel variant is steel wheel rim, hence follow 4 tire rotation only. (Refer: under section "Inspection and maintenance")

ITEM: Capacities (approx.)	
Coolant (including reservoir tank)	3.3 L
Fuel tank	35 L
Engine oil	2.8 L (replacement with oil filter)
Manual transaxle oil	1.45 L

MEMO

Prepared by
MARUTI SUZUKI INDIA LIMITED

Service Division
December, 2013

Part No. 99011M76M00-74E
Printed in India

**For round-the-clock on-road assistance, call Maruti On-road Service at 1800 4200[#]
#No STD code to be prefixed.**



The sign to trust



Service Division
MARUTI SUZUKI INDIA LIMITED
Palam Gurgaon Road, Gurgaon - 122 015 (Haryana)
www.marutisuzuki.com