

2015 Scion iQ Quick Reference Guide

2015 Scion iQ

This *Quick Reference Guide* is a summary of basic vehicle operations. It contains brief descriptions of fundamental operations so you can locate and use the vehicle's main equipment quickly and easily.

The *Quick Reference Guide* is not intended as a substitute for the *Owner's Manual* located in the vehicle's glove box. We strongly encourage you to review the *Owner's Manual* and supplementary manuals so you will have a better understanding of the vehicle's capabilities and limitations.

Your dealership and the entire staff of Toyota Motor Sales, U.S.A., Inc. wish you many years of satisfied driving in your new Scion iQ.

A word about safe vehicle operation

This *Quick Reference Guide* is not a full description of Scion iQ operations. Every Scion iQ owner should review the *Owner's Manual* that accompanies this vehicle.

Pay special attention to the boxed information highlighted in color throughout the *Owner's Manual*. Each box contains safe operating instructions to help you avoid injury or equipment malfunction.

All information in this *Quick Reference Guide* is current at the time of printing. Toyota reserves the right to make changes at any time without notice.

INDEX

OVERVIEW

Engine maintenance	8
Fuel tank door opener and cap	7
Hood release	8
Indicator symbols	4-5
Instrument cluster	4
Instrument panel	2-3
Keyless entry*	6
Light control-Instrument panel	7

FEATURES/OPERATIONS

Air Conditioning/Heating	13
Automatic Transmission	9
Auxiliary box	15
AUX port/USB port	14
Bottle holders	15
Cup holders	15
Lights & turn signals	11
Multi-Information Display	12
Parking brake	9
Power outlet	15
Seat adjustments-Front	10
Seat-Folding down rear seat	10
Steering wheel switches	14
Tilt steering wheel	13
Windows	12
Windshield wipers & washers	11

SAFETY AND

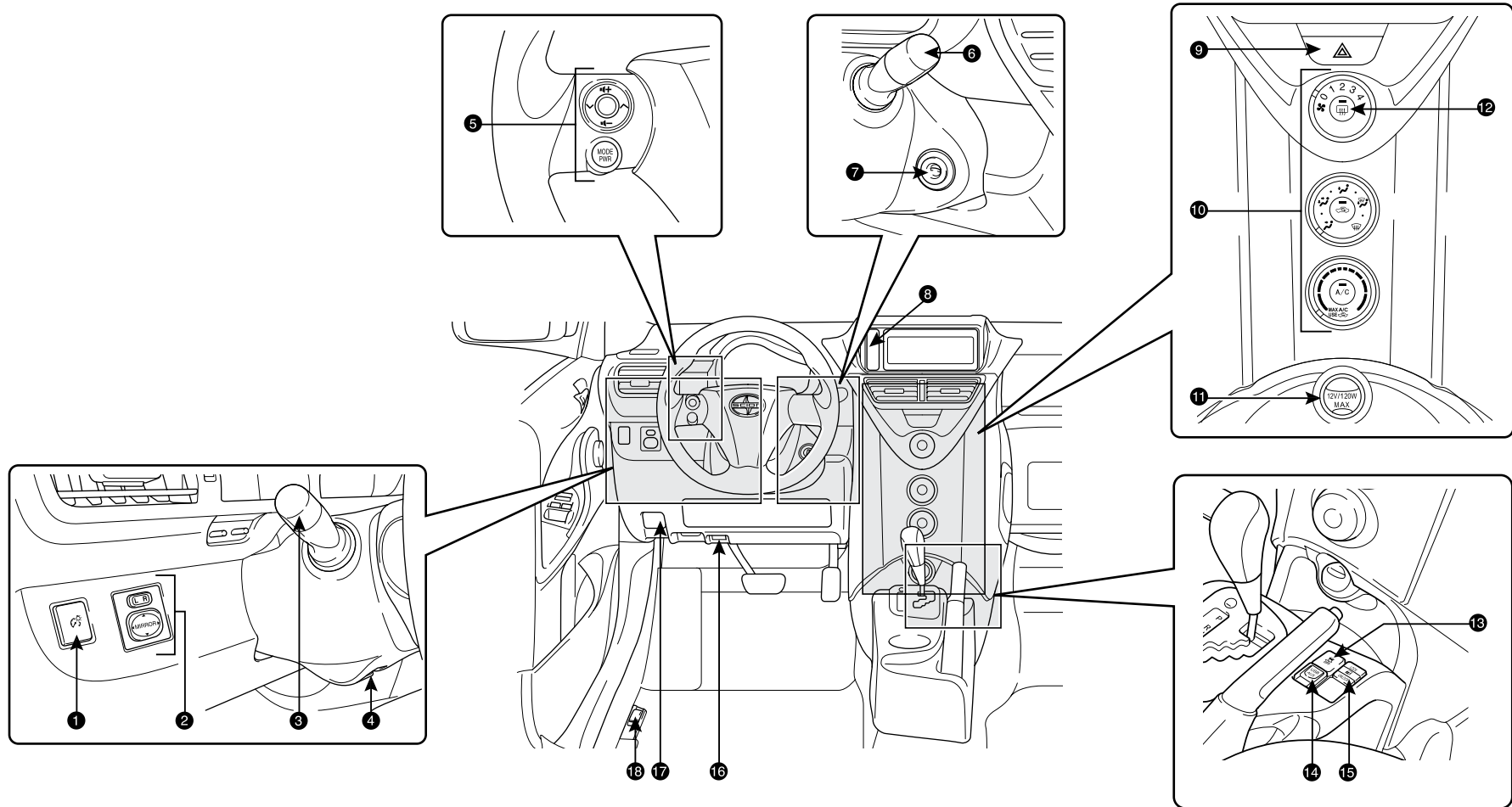
EMERGENCY FEATURES

Door locks	16
Emergency tire puncture repair kit	17
Floor mat installation	19
Seat belts	16
Star Safety System™	18-19
Tire Pressure Monitoring (warning) System	17

* Visit your Toyota dealer for information on customizing this feature.

OVERVIEW

Instrument panel



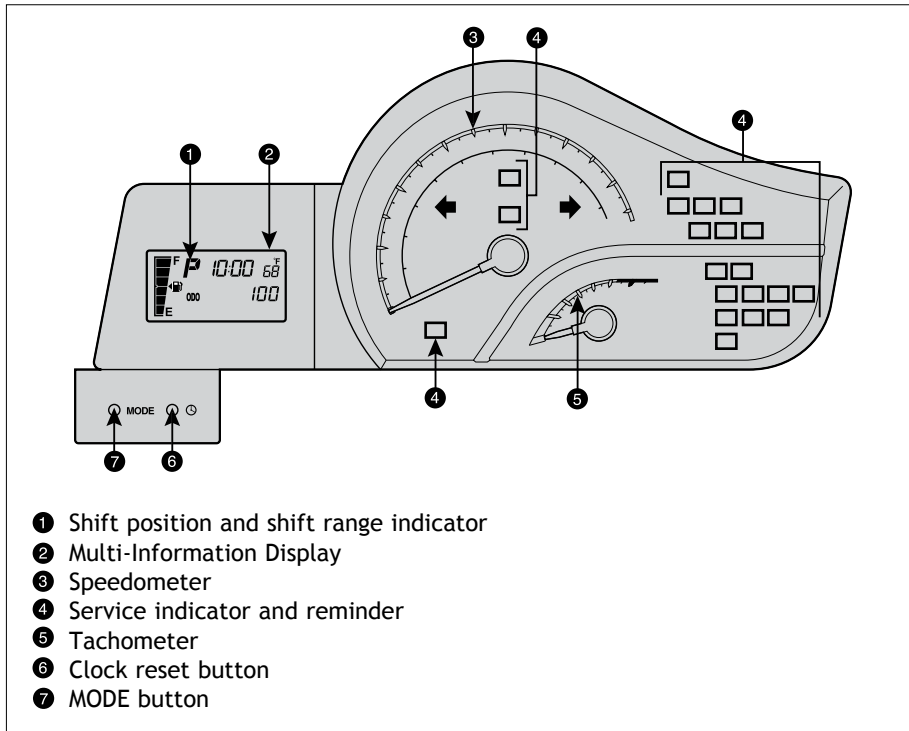
- ❶ Instrument panel light control
- ❷ Power outside rearview mirror controls
- ❸ Headlight and turn signal controls
- ❹ Tilt steering lock release
- ❺ Steering wheel audio controls²
- ❻ Wiper and washer controls
- ❼ Ignition switch
- ❽ Front passenger occupant classification indicator/
Front passenger seat belt reminder light
- ❾ Emergency flasher button
- ❿ Air Conditioning controls
- ⓫ Power outlet

- ❿ Outside rearview mirror¹/Rear window defogger button
- ⓬ "VSC OFF" (Vehicle Stability Control OFF)
- ⓭ AUX port/USB port²
- ⓮ Door lock switch
- ⓯ Tire Pressure Monitoring (warning) System reset button
- ⓰ Hood release
- ⓱ Fuel filler door opener

¹ If equipped

² For details, refer to the "SCION Audio System Owner's Manual."

Instrument cluster



Indicator symbols

For details, refer to “Indicators and warning lights,” Section 2-2, 2014 Owner’s Manual.

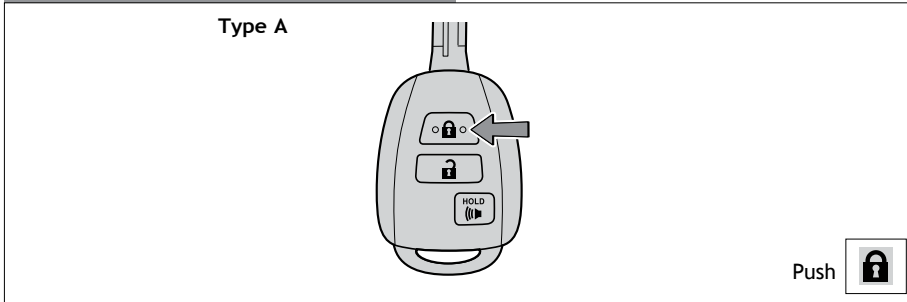
- BRAKE Brake system warning*
- Driver seat belt reminder
(alarm will sound if speed is over 12 mph)
- PASSENGER Front passenger seat belt reminder
(alarm will sound if speed is over 12 mph)
- Charging system warning*
- CHECK Malfunction/Check Engine indicator*
- Low engine oil pressure warning*
- Open door warning
- Airbag SRS warning*

- Low Tire Pressure Warning*
- MAINT REQD Engine oil replacement reminder*
- AIR BAG ON/OFF Front passenger occupant classification indicator/
Front passenger airbag ON/OFF indicator
- Headlight high beam indicator
- Turn signal indicator
- Low fuel level warning
- Slip indicator*
- OFF Vehicle Stability Control OFF indicator*
- Electric power steering system warning*
- ABS Anti-lock Brake System warning*
- TRAC OFF Traction Control OFF indicator*
- Low engine coolant temperature indicator
- High engine coolant temperature warning light*
- Low washer fluid warning*
- Engine immobilizer system indicator
- ECO ECO Driving indicator light*

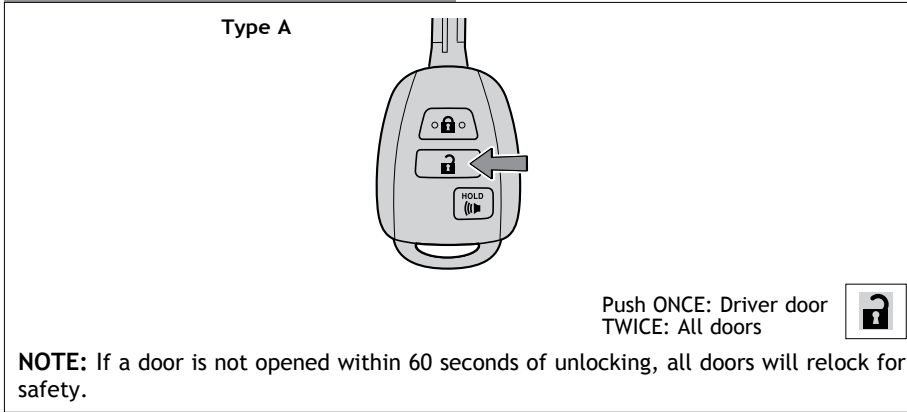
* If indicator does not turn off within a few seconds of starting engine, there may be a malfunction. Have vehicle inspected by your Toyota or Scion dealer.

Keyless entry (if equipped)

Locking operation



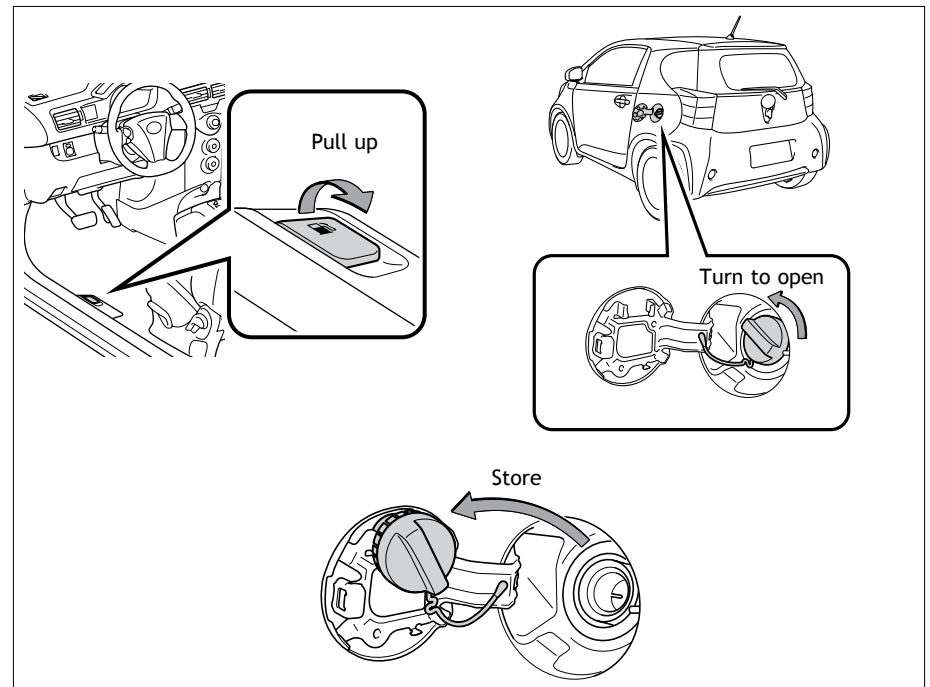
Unlocking operation



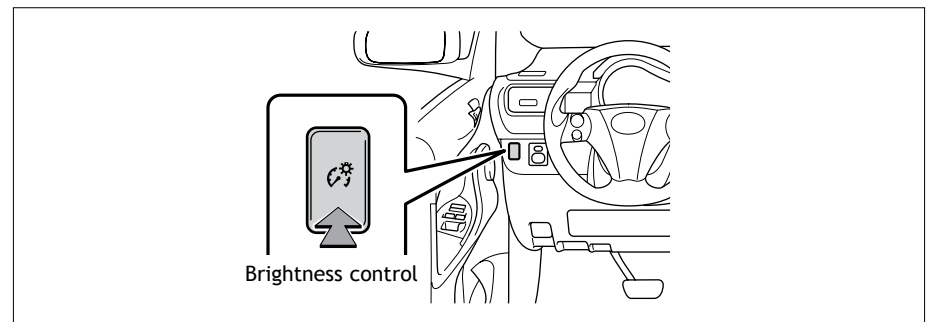
Panic button



Fuel tank door release and cap

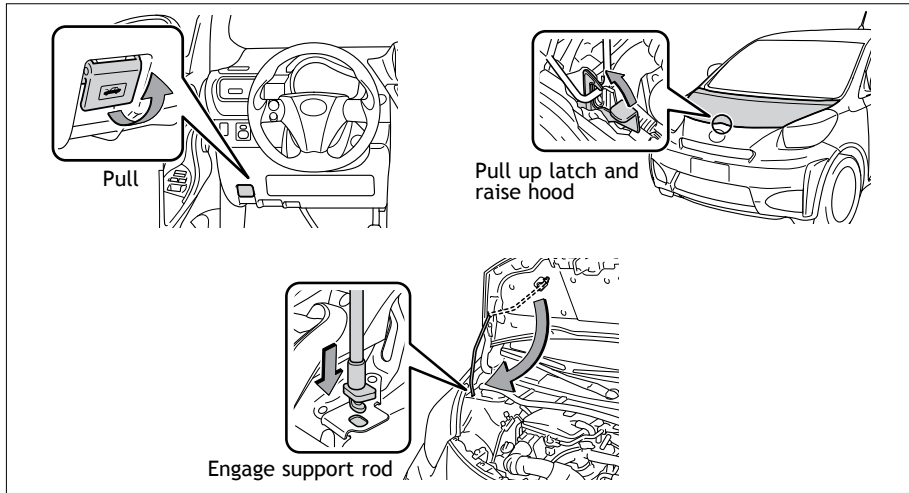


Light control-Instrument panel

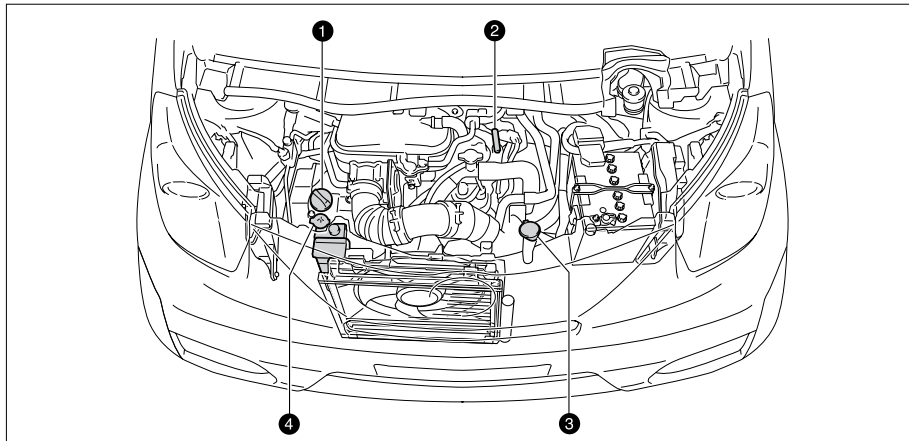


Brightness can be adjusted by pressing the brightness control switch.

Hood release



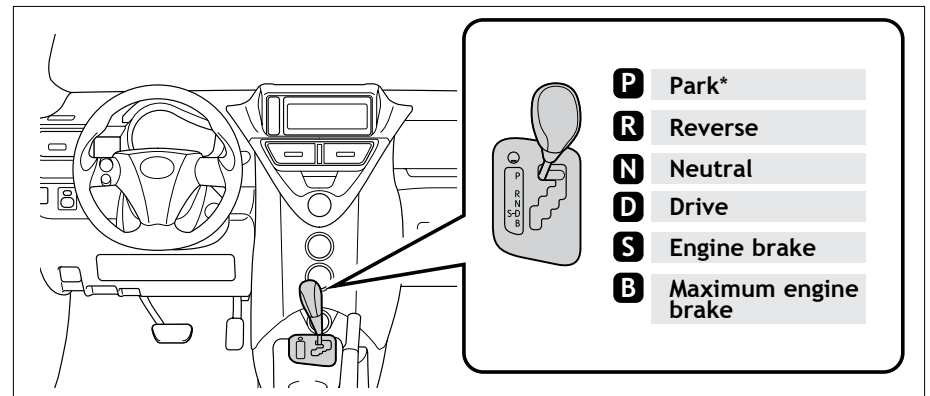
Engine maintenance



- 1 Engine oil filler cap
- 2 Engine oil level dipstick
- 3 Windshield washer fluid tank
- 4 Engine coolant reservoir

NOTE: Regularly scheduled maintenance, including oil changes, will help extend the life of your vehicle and maintain performance. Please refer to the "Warranty Maintenance Guide."

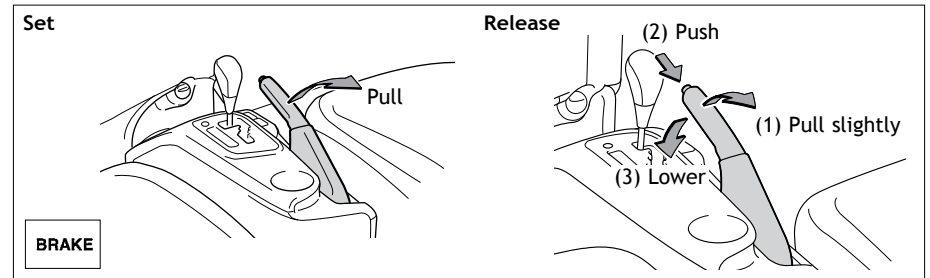
Automatic Transmission



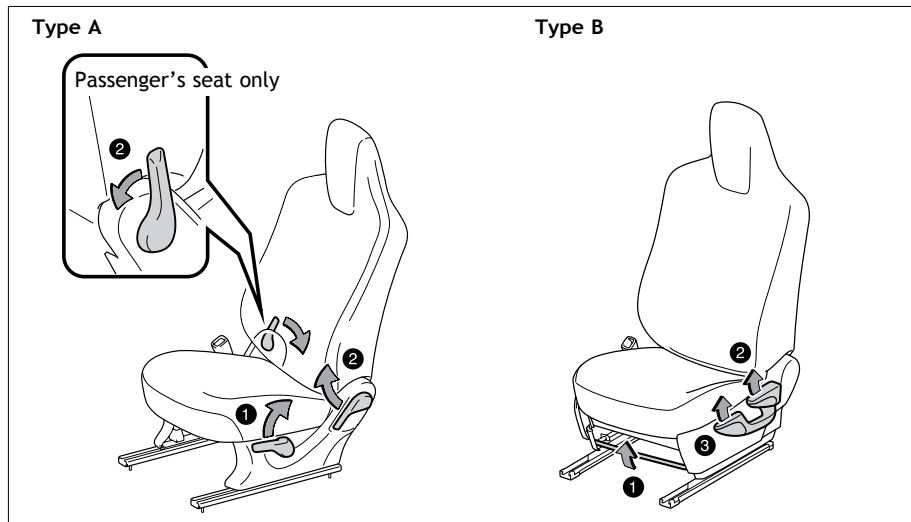
* The ignition switch must be "ON" and the brake pedal depressed to shift from Park.

Downshifting increases power going uphill, or provides engine braking downhill. For best fuel economy during normal driving conditions, always drive with the shift lever in the "D" position.

Parking brake

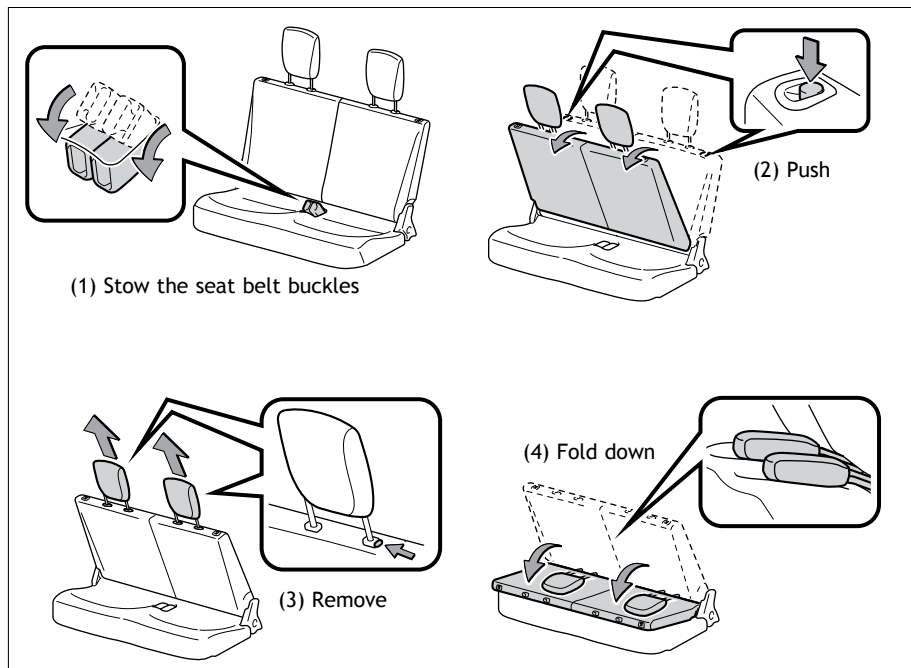


Seat adjustments-Front

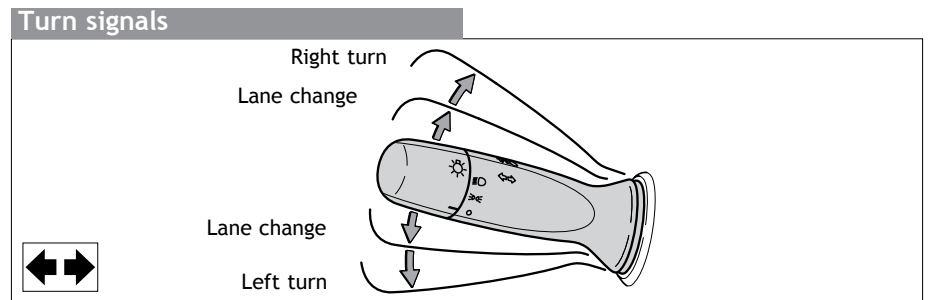
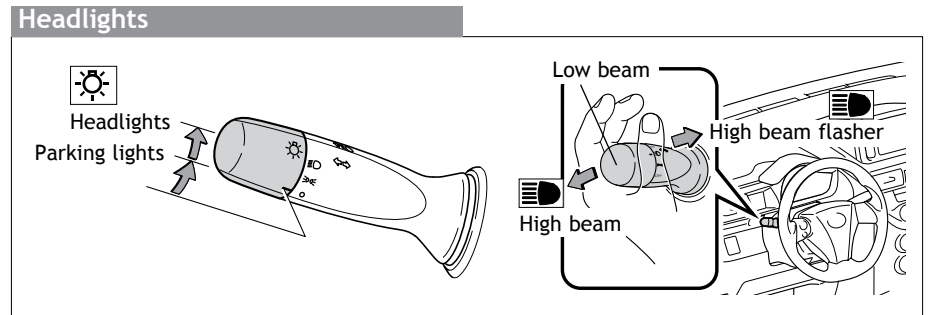


- 1 Seat position (forward/backward)
- 2 Seatback angle
- 3 Height crank

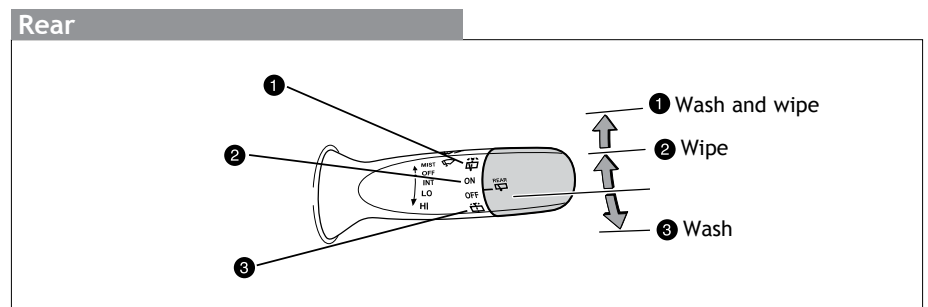
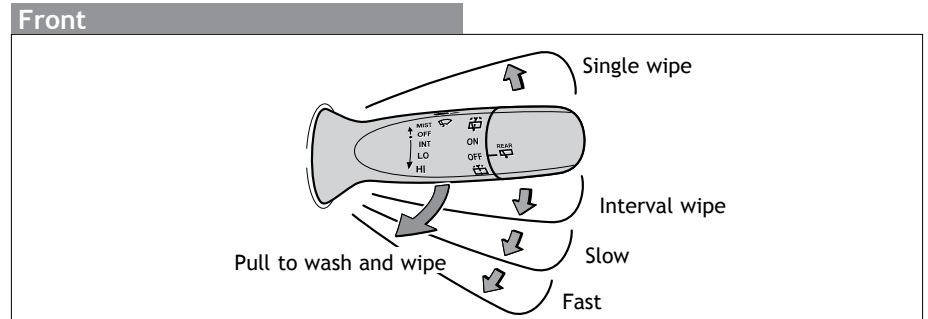
Seat-Folding down rear seat



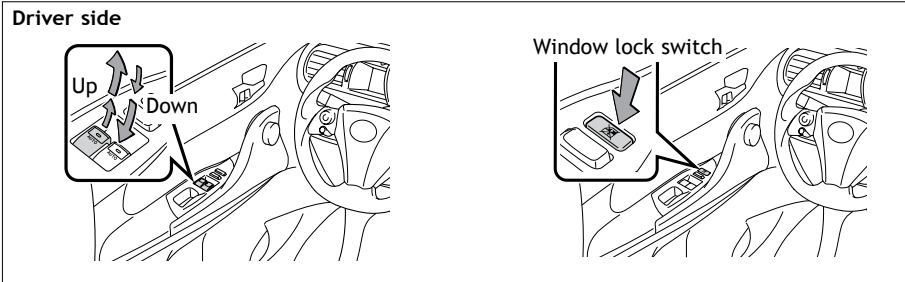
Lights & turn signals



Windshield wipers & washers

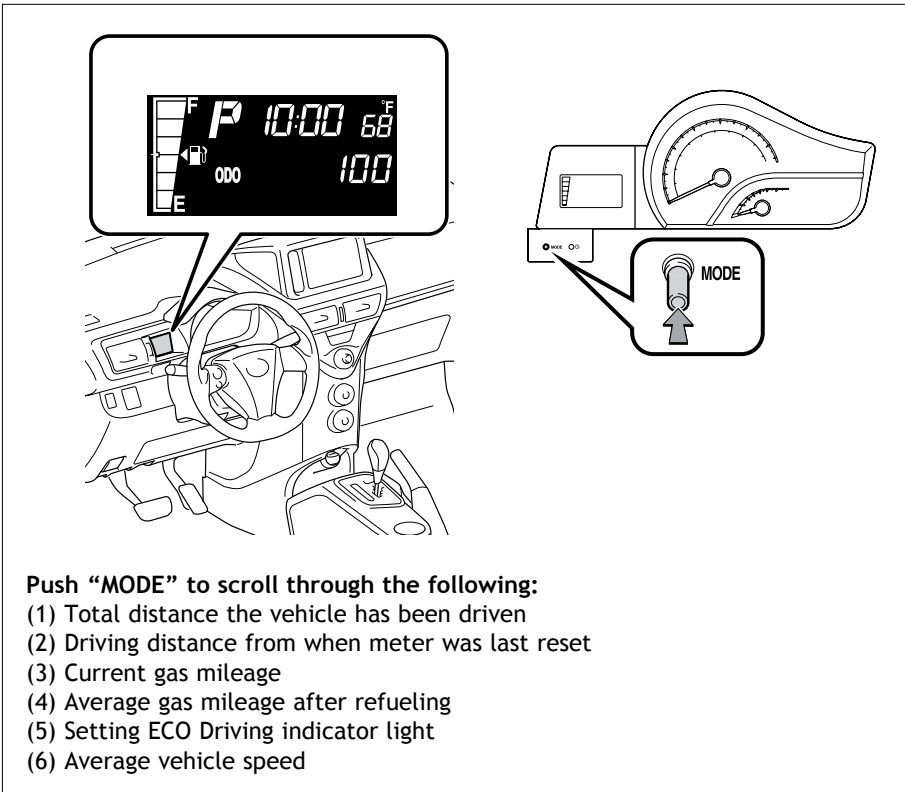


Windows



Automatic operation Push the switch completely down or pull it completely up and release to fully open or close. To stop the window partway, operate the switch in the opposite direction.
Window lock switch Deactivates all passenger windows. Driver's window remains operable.

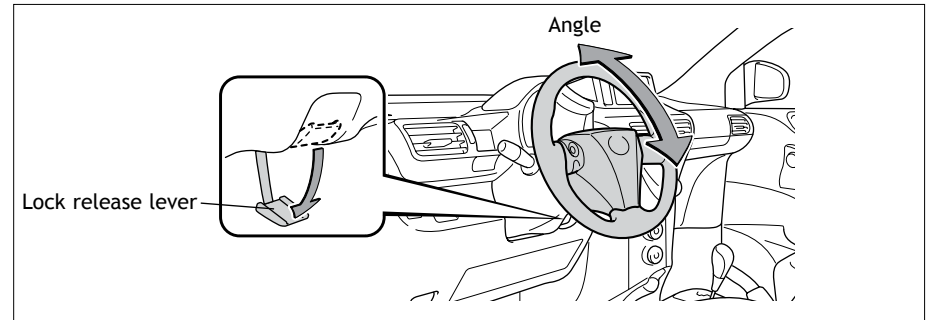
Multi-Information Display



Push "MODE" to scroll through the following:

- (1) Total distance the vehicle has been driven
- (2) Driving distance from when meter was last reset
- (3) Current gas mileage
- (4) Average gas mileage after refueling
- (5) Setting ECO Driving indicator light
- (6) Average vehicle speed

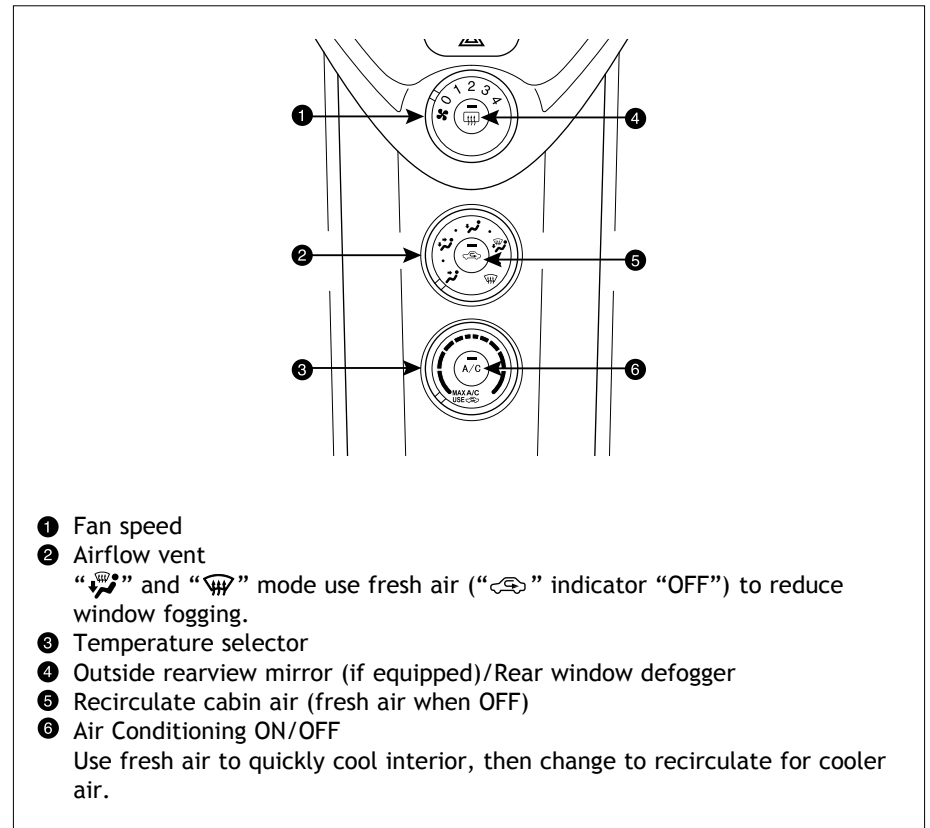
Tilt steering wheel



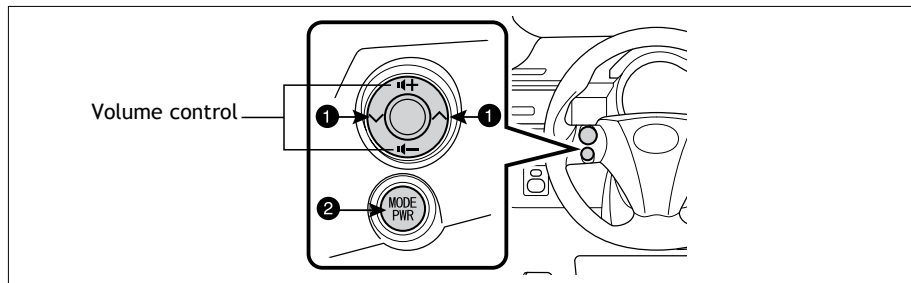
Hold wheel, push lever down, set angle and return lever.

NOTE: Do not attempt to adjust while the vehicle is in motion.

Air Conditioning/Heating



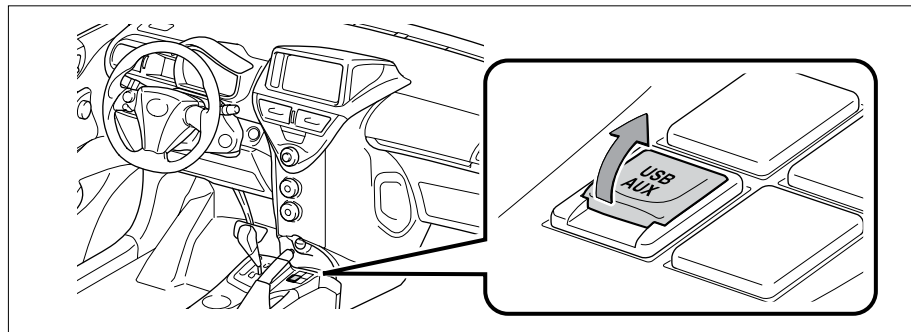
Steering wheel switches



- ① “ \wedge \vee ”
Use to search within the selected audio medium (radio, CD, iPod®, etc.).
- ② “MODE PWR”
Push to turn audio ON and select an audio mode. Push and hold to turn the audio system OFF.

For details, refer to the “SCION Audio System Owner’s Manual”.

AUX port/USB port



AUX port

By inserting a mini plug (not included) into the AUX port, you can listen to music from a portable audio device through the vehicle’s speaker system while in AUX mode.

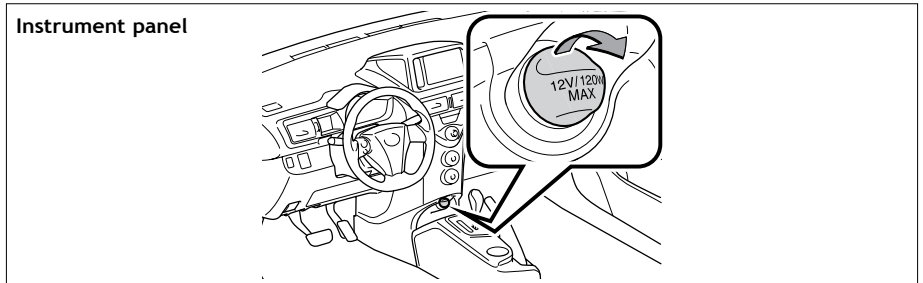
USB port

By connecting a USB memory or USB-compatible portable audio device to the USB port, you can listen to music from the portable audio device or USB memory through the vehicle’s speaker system.

If you do not have a SCION genuine audio system, you will not be able to use the USB port or AUX port.

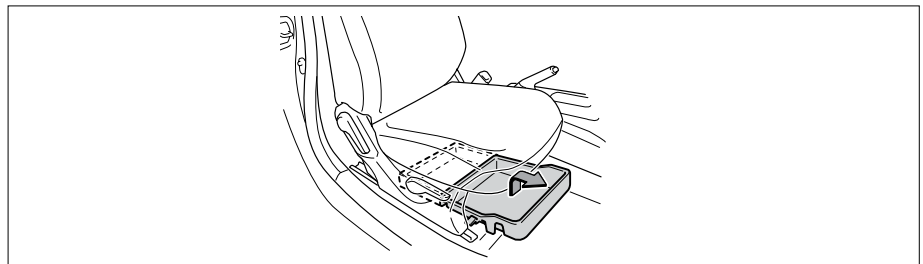
For details, refer to the “SCION Audio System Owner’s Manual”.

Power outlet

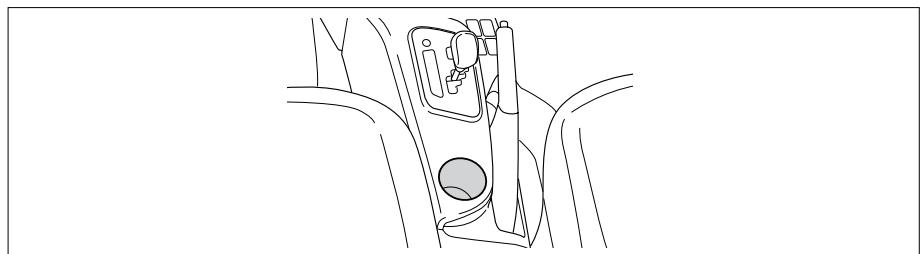


Designed for car accessories. Key must be in the “ACC” or “ON” position to use.

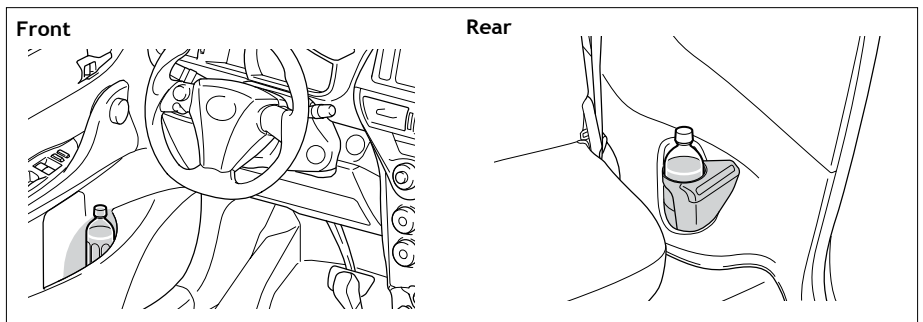
Auxiliary box



Cup holder



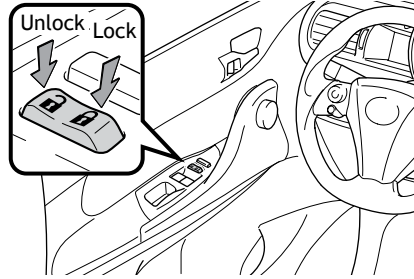
Bottle holders



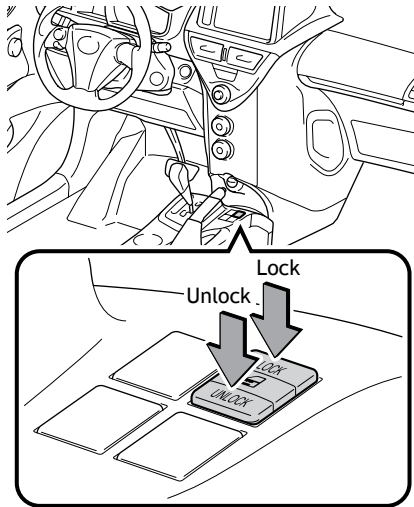
SAFETY AND EMERGENCY FEATURES

Door locks

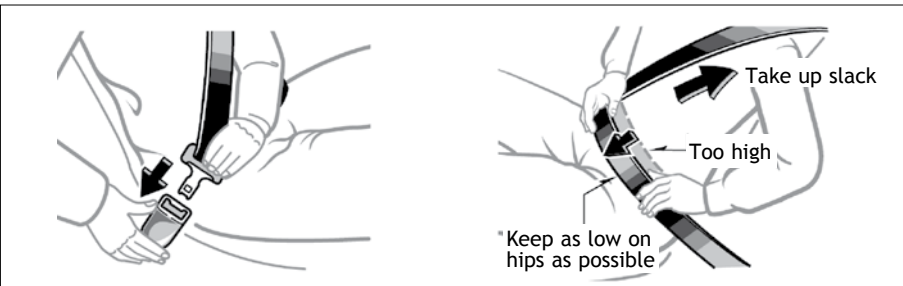
Driver's use



Front passenger's use



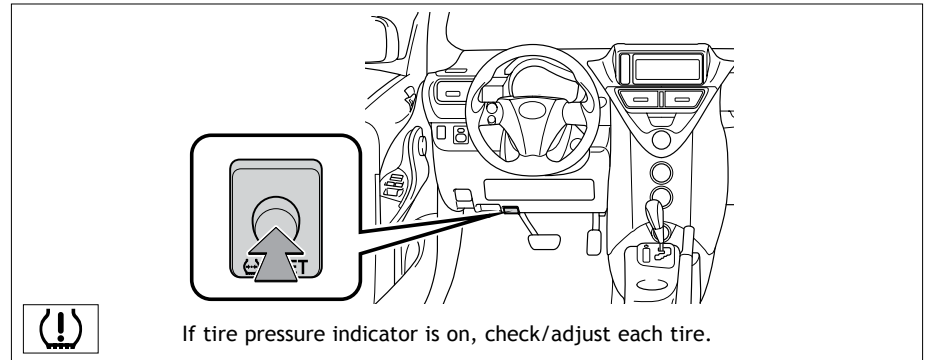
Seat belts



If belt is fully extended, then retracted even slightly, it cannot be re-extended beyond that point, unless fully retracted again. This feature is used to help hold child restraint systems securely.

To find more information about seat belts, and how to install a child restraint system, refer to the *Owner's Manual*.

Tire Pressure Monitoring (warning) System



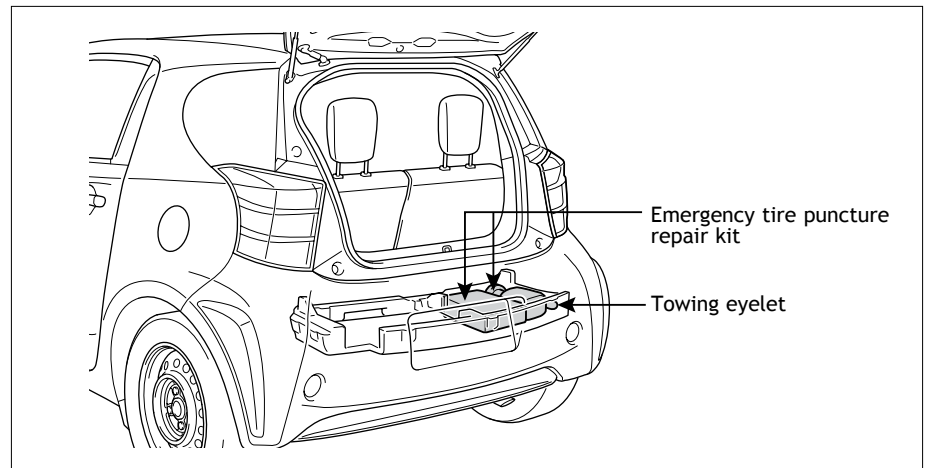
After adjusting tire pressures, or after tires have been rotated or replaced, turn the ignition switch to "ON" and press and hold the "SET" button until indicator blinks three times. Let the vehicle sit for a few minutes to allow initialization to complete.

Refer to the load label on the door jamb or the *Owner's Manual* for tire inflation specifications.

If the tire pressure indicator flashes for more than 60 seconds and then remains on, take the vehicle to your local Toyota dealer.

NOTE: The warning light may come on due to temperature changes or changes in tire pressure from natural air leakage. If the system has not been initialized recently, setting the tire pressures to factory specifications should turn off the light.

Emergency tire puncture repair kit



Refer to the *Owner's Manual* for more details.

Star Safety System™

All new Toyota vehicles come standard with the Star Safety System™, which combines Vehicle Stability Control (VSC), Traction Control (TRAC), Anti-lock Braking System (ABS), Electronic Brake-force Distribution (EBD), Brake Assist (BA) and Smart Stop Technology (SST).

Vehicle Stability Control (VSC)

VSC helps prevent loss of traction during cornering by reducing engine power and applying brake force to selected wheels.

Toyota's VSC monitors steering angle and the direction your vehicle is traveling. When it senses that the front or rear wheels begin to lose traction, VSC reduces engine power and applies braking to selected wheels. This helps restore traction and vehicle control.

Traction Control (TRAC)

VSC helps prevent loss of traction during cornering by reducing engine power, and Traction Control helps maintain traction on loose gravel and wet, icy, or uneven surfaces by applying brake force to the spinning wheel(s).

Toyota's TRAC sensors are activated when one of the drive wheels starts to slip. TRAC limits engine output and applies the brakes to the spinning wheel. This transfers power to the wheels that still have traction to help keep you on track.

Anti-Lock Brake System (ABS)

ABS helps prevent brakes from locking up by "pulsing" brake pressure to each wheel. This limits brake lockup and helps provide directional control for the current road conditions.

Toyota's ABS sensors detect which wheels are locking up and limits wheel lockup by "pulsing" each wheel's brakes independently. Pulsing releases brake pressure repeatedly for fractions of a second. This helps the tires attain the traction that current road conditions will allow, helping you to stay in directional control.

Electronic Brake Force Distribution (EBD)

Toyota's ABS technology has Electronic Brake-force Distribution (EBD) to help maintain control and balance when braking. Abrupt stops can cause a vehicle to tilt forward, reducing the braking power of the rear wheels. EBD responds to sudden stops by redistributing brake force to enhance the braking effectiveness of all four wheels.

Brake Assist (BA)

Brake Assist is designed to detect sudden or "panic" braking, and then add braking pressure to help decrease the vehicle's stopping distance. When there's only a split second to react, Brake Assist can add additional brake pressure more quickly than just the driver alone can.

Smart Stop Technology (SST)

Smart Stop Technology automatically reduces engine power when the accelerator and brake pedals are pressed simultaneously under certain conditions.

SST engages when the accelerator is depressed first and the brakes are applied firmly for longer than one-half second at speeds greater than five miles per hour.

SST doesn't engage if the brake pedal is depressed before the accelerator pedal, allowing vehicles to start on a steep hill and safely accelerate without rolling backward.

Floor mat installation

There are two types of Toyota floor mats: carpeted and all-weather. Each vehicle has model-specific floor mats. Installation is easy.

To keep your floor mat properly positioned, follow these steps:

- Only use floor mats designed for your specific model.
- Use only one floor mat at a time, using the retaining hooks to keep the mat in place.
- Install floor mats right side up.

